

*Parts Manual for*  
**SNAPPER®**

**21" STEEL DECK  
WALK BEHIND MOWERS  
SERIES 18**

| <b>PUSH MODELS</b> | <b>PROPELLED MODELS</b>   |
|--------------------|---|
| <b>216518B</b>     | <b>EP217018BV<br/>ERP217018BV<br/>P216018KWV<br/>P216518B<br/>P217018BV<br/>P217018BVE<br/>RP216018KWV<br/>RP217018BV<br/>RP217018BVE</b> |

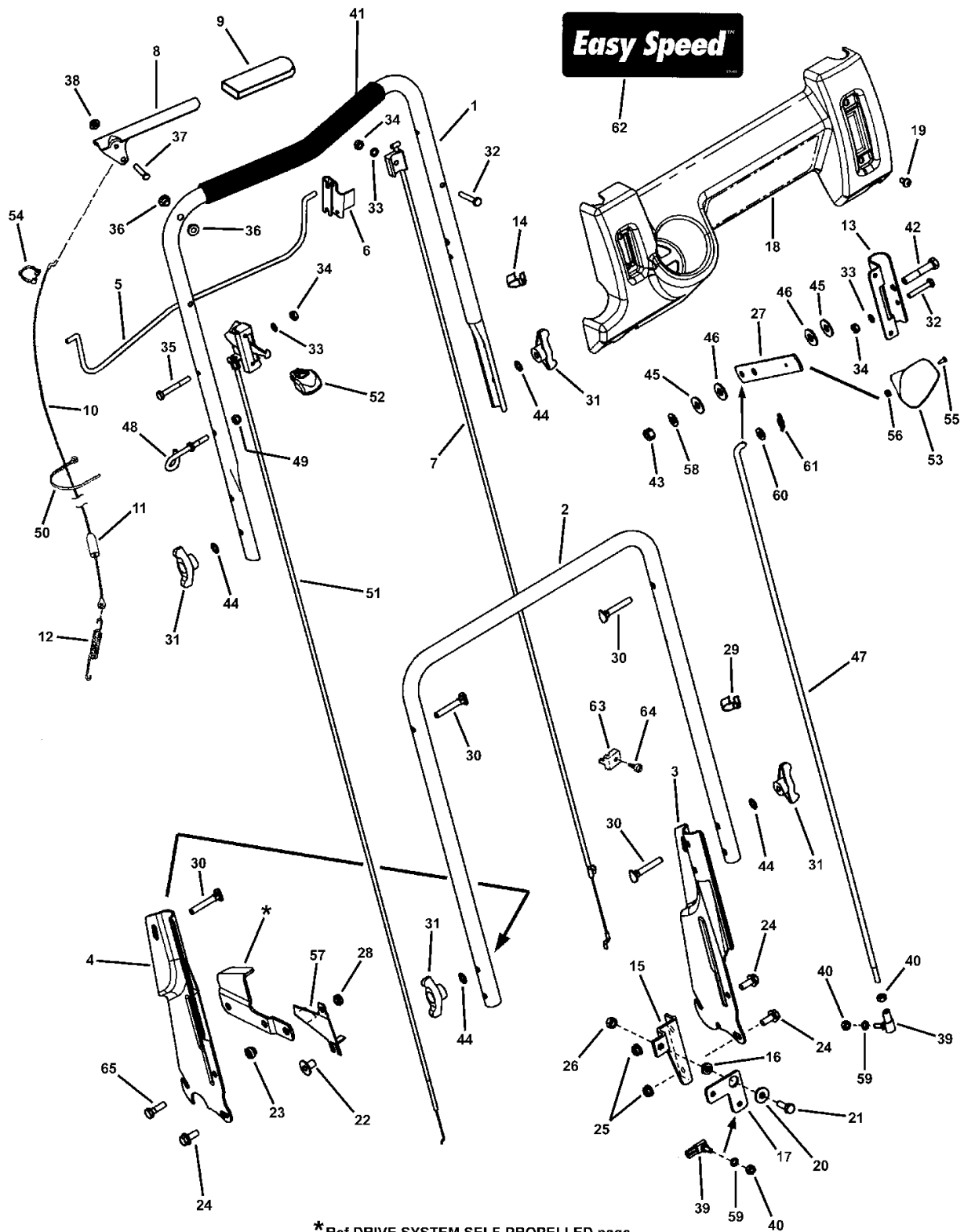


**SNAPPER®** McDonough, GA, 30253 U.S.A.



| <b>PAGE</b> | <b>GROUP</b>                   |
|-------------|--------------------------------|
| 4           | HANDLES & CONTROLS             |
| 8           | CUTTING DECK, BLADES           |
| 12          | FRONT WHEEL BRACKET            |
| 14          | REAR WHEEL BRACKETS, LATCHES   |
| 16          | FRONT WHEELS                   |
| 18          | REAR WHEELS                    |
| 20          | DRIVE SYSTEM SELF-PROPELLED    |
| 24          | TRANSMISSION (DIFFERENTIAL)    |
| 26          | THROTTLE CONTROLS/ENGINE SPECS |
| 28          | SIDE CHUTE ADAPTER             |
| 30          | ACCESSORY GRASS BAG            |
| 32          | ELECTRIC START COMPONENTS      |
| 34          | DECALS                         |
| 36          | SNAPPERIZER ACCESSORY          |
| 38          | THATCHERIZER ASSEMBLY          |
| 40          | RECYCLING KITS ACCESSORY       |

# HANDLES & CONTROLS



\* Ref DRIVE SYSTEM SELF-PROPELLED page, Item 2

## HANDLES & CONTROLS

| Item | Part No | Qty | Description                                   | Note                     |
|------|---------|-----|---|--------------------------|
| 1    | 7074411 | 1   | HANDLE, Upper                                 | All                      |
| 2    | 7074156 | 1   | HANDLE, Middle                                | All                      |
| 3    | 7033985 | 1   | HANDLE, Lower LH (Adjustable)                 | All                      |
| 4    | 7033986 | 1   | HANDLE, Lower RH (Adjustable)                 | All                      |
| 5    | 7074418 | 1   | BAIL, OPC Control                             | All                      |
| 6    | 7034872 | 1   | CLIP, Zone Control                            | All                      |
| 7    | 7034608 | 1   | *CABLE, Zone Control (52-63/64" Long)         |                          |
| 7    | 7078078 | 1   | CABLE, Zone Control (50-31/64" Long)          | P217018BVE & RP217018BVE |
| 7    | 7074141 | 1   | CABLE, Zone Control (56-5/16" Long)           | P216018KWV & RP216018KWV |
| 8    | 7074473 | 1   | HANDLE, Clutch                                | Self-Propelled Models    |
| 9    | 7028407 | 1   | GRIP, International Symbol                    | Self-Propelled Models    |
| 10   | 7034604 | 1   | CABLE, Clutch Control (41-1/4" Long)          | Self-Propelled Models    |
| 11   | 7012121 | 1   | COVER, Vinyl                                  | Self-Propelled Models    |
| 12   | 7012122 | 1   | SPRING, Clutch- 21S                           | Self-Propelled Models    |
| 13   | 7074003 | 1   | BRACKET, Shift                                | All                      |
| 14   | 7024641 | 2   | TIE, Wire, 1.29 long, black                   | Self-Propelled Models    |
| 15   | 7073822 | 1   | BRACKET, Bell Crank                           | Self-Propelled Models    |
| 16   | 7013849 | 1   | SPACER, .33 x .63 x .156                      | Self-Propelled Models    |
| 17   | 7073913 | 1   | BELL CRANK                                    | Self-Propelled Models    |
| 18   | 7073826 | 1   | CONTROL PANEL (w/o Ground Drive Slot)         | 216518B                  |
| 18   | 7074140 | 1   | **CONTROL PANEL (w/o Electrical Switch Hole)  |                          |
| 18   | 7074469 | 1   | CONTROL PANEL (w/Electrical Switch Hole)      | P217018BVE & RP217018BVE |
| 19   | 7091200 | 4   | SCREW, 1/4-20 x 1/2" Pan Head Self-Tap (Torx) | All                      |
| 20   | 7091130 | 1   | WASHER, .33 x .88 x .09 Flat                  | Self-Propelled Models    |
| 21   | 7091904 | 1   | SCREW, 5/16-18 x 7/8" Hex Head Cap, GR 5      | Self-Propelled Models    |
| 22   | 7090895 | 1   | TEENUT, 5/16-18                               | Self-Propelled Models    |
| 23   | 7012114 | 1   | BUSHING, Differential, .328 x .625 x .41      | Self-Propelled Models    |
| 24   | 7090595 | 3   | BOLT, 5/16-18 x 3/4" Hex Flange Lock GR 5     | All                      |
| 25   | 7091601 | 2   | NUT, 5/16-18 Hex Flange Lock, GR 5            | was 7090585 (All)        |
| 26   | 7091575 | 1   | NUT, 5/16-18 Hex Center Lock                  | was 7091067 (S-P Models) |
| 27   | 7074113 | 1   | LEVER, Shift                                  | Self-Propelled Models    |
| 28   | 7091606 | 1   | NUT, 5/16-24 Hex Center Lock GR 5             | was 7091074 (All)        |
| 29   | 7023813 | 1   | CLIP, Wiring Harness                          | All                      |
| 30   | 7091740 | 4   | SCREW, 5/16-18 x 1-7/8" Curved Head GR 2      | was 7091189 (All)        |
| 31   | 7035744 | 4   | KNOB, 5/16-18 Wing (Black)                    | All                      |
| 32   | 7079577 | 2   | SCREW, 1/4-20 x 1-1/2 Hex Head Cap GR 5       | All                      |
| 33   | 7090053 | 3   | WASHER, 1/4" Internal Tooth Lock              | was (All)                |

### Footnotes:

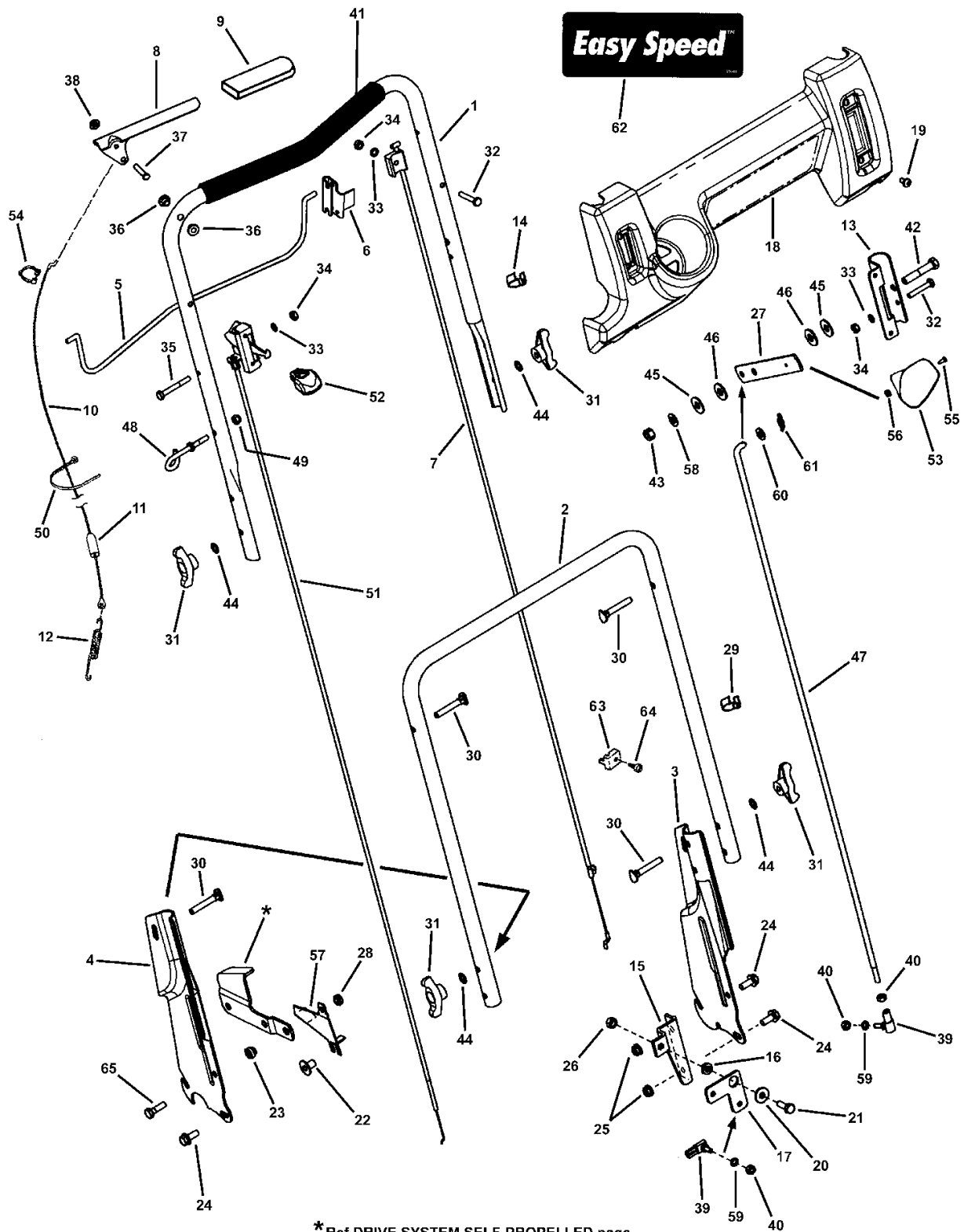
Note\* used on 216518B, P216518B, P217018BV, RP217018BV, EP217018BV & ERP217018BV

Note\*\* used on P217018BV, P216518B, P216018KWV, RP217018BV, RP216018KWV, EP217018BV & ERP217018BV

Note\* See also Throttle Control Page

ref Decal Page

# HANDLES & CONTROLS



\* Ref DRIVE SYSTEM SELF-PROPELLED page, Item 2

## HANDLES & CONTROLS

---

| Item | Part No | Qty | Description  | Note                             |
|------|---------|-----|--|----------------------------------|
| 34   | 7091576 | 3   | NUT, 1/4-20 Hex  | <i>was 7091100 (All)</i>         |
| 35   | 7090505 | 1   | SCREW, 1/4-20 x 2" Hex Head Cap, GR 5                  |                                  |
| 36   | 7014343 | 2   | BUSHING, .27 x .35 x .4 Flange                         | <i>Self-Propelled Models</i>     |
| 37   | 7023792 | 1   | PIN, 1/4 x 1-1/2"                                      | <i>Self-Propelled Models</i>     |
| 38   | 7091020 | 1   | PUSH-NUT, 1/4"   | <i>Self-Propelled Models</i>     |
| 39   | 7015753 | 2   | BALL JOINT, 1/4-28                                     | <i>Self-Propelled Models</i>     |
| 40   | 7090095 | 4   | NUT, 1/4-28 Hex  | <i>Self-Propelled Models</i>     |
| 41   | 7022458 | 1   | FOAM GRIP, 15" long                                    | <i>All</i>                       |
| 42   | 7091305 | 1   | SCREW, 3/8-16 x 2" Hex Head Cap, GR 5                  | <i>Self-Propelled Models</i>     |
| 42   | 7091553 | 1   | SCREW, 3/8-16 x 1-3/4" Hex Head Cap, GR 5              | <i>Push Models</i>               |
| 43   | 7091585 | 1   | NUT, 3/8-16 Hex Center Lock                            | <i>All</i>                       |
| 44   | 7090391 | 4   | WASHER, 5/16" Internal Tooth Lock                      | <i>All</i>                       |
| 45   | 7031961 | 8   | WASHER, 7/16" Flat                                     | <i>Self-Propelled Models</i>     |
| 46   | 7028465 | 2   | WASHER, Nylon  | <i>Self-Propelled Models</i>     |
| 47   | 7074133 | 1   | ROD, Speed Control (1/4-28 thread)                     | <i>Self-Propelled Models</i>     |
| 48   | 7028488 | 1   | GUIDE, Rope (1/4-20 thread)                            | <i>All</i>                       |
| 49   | 7076978 | 1   | NUT, 1/4-28 Hex GR 5 or B                              | <i>All</i>                       |
| 50   | 7012080 | 2   | CABLE-TIE, 7"  | <i>Self-Propelled Models</i>     |
| 51   | 7074460 | 1   | *THROTTLE CONTROL, .48 x .61                           | <i>Briggs models</i>             |
| 51   | 7074138 | 1   | *THROTTLE CONTROL, 6.0 KWV                             | <i>Kawasaki models</i>           |
| 52   | 7075308 | 1   | THROTTLE KNOB  | <i>All</i>                       |
| 53   | 7075182 | 1   | KNOB, Shift  | <i>Self-Propelled Models</i>     |
| 54   | 7026219 | 1   | CLAMP, 7/8" Double Cable                               | <i>Self-Propelled Models</i>     |
| 55   | 7091167 | 1   | SCREW, #8-32 x 1/2" Cross Recess Filister Head Machine | <i>Self-Propelled Models</i>     |
| 56   | 7091018 | 1   | NUT, #8-32 Hex   | <i>Self-Propelled Models</i>     |
| 57   | 7032408 | 1   | BELT GUIDE, Lower                                      | <i>Self-Propelled Models</i>     |
| 58   | 7028568 | 1   | WASHER, Belleville                                     | <i>Self-Propelled Models</i>     |
| 59   | 7090053 | 4   | WASHER, 1/4" Internal Tooth Lock                       | <i>Self-Propelled Models</i>     |
| 60   | 7090188 | 1   | WASHER, 3/8" Flat                                      | <i>Self-Propelled Models</i>     |
| 61   | 7034162 | 1   | COTTER PIN, 5/16 Self Lock                             | <i>Self-Propelled Models</i>     |
| 62   | 7029365 | 1   | DECAL, Easy Walk                                       | <i>All</i>                       |
| 63   | 7023153 | 1   | CLAMP, Casing  | <i>models with Briggs Engine</i> |
| 64   | 7023154 | 1   | SCREW, #10-32 x 5/8" Self-Tap                          | <i>models with Briggs Engine</i> |
| 65   | 7090238 | 1   | SCREW, 5/16-24 x 1" Hex Head Cap GR 5                  | <i>All</i>                       |

### Footnotes:

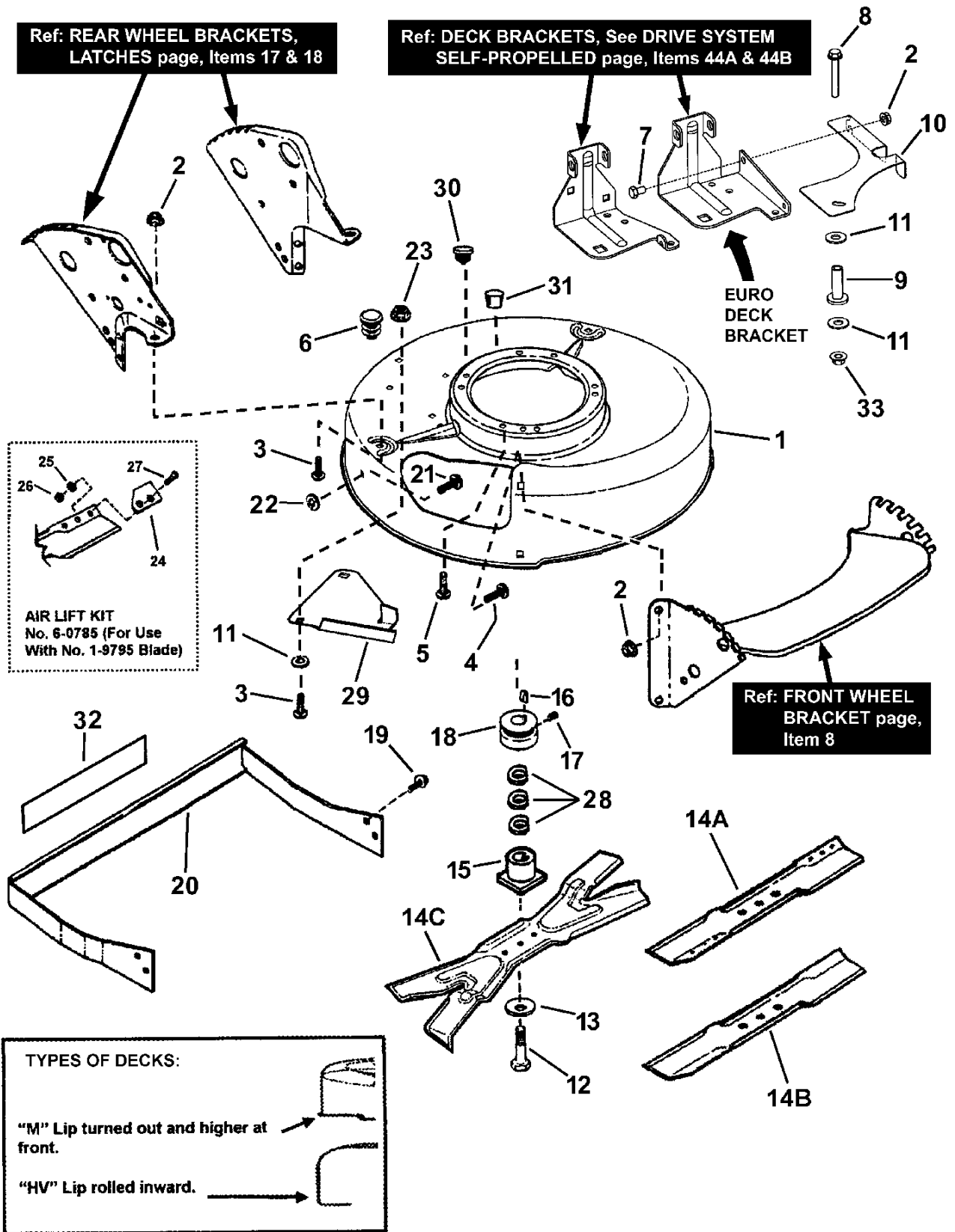
Note\* used on 216518B, P216518B, P217018BV, RP217018BV, EP217018BV & ERP217018BV

Note\*\* used on P217018BV, P216518B, P216018KWV, RP217018BV, RP216018KWV, EP217018BV & ERP217018BV

Note\* See also Throttle Control Page

ref Decal Page

**CUTTING DECK, BLADES**





## CUTTING DECK, BLADES

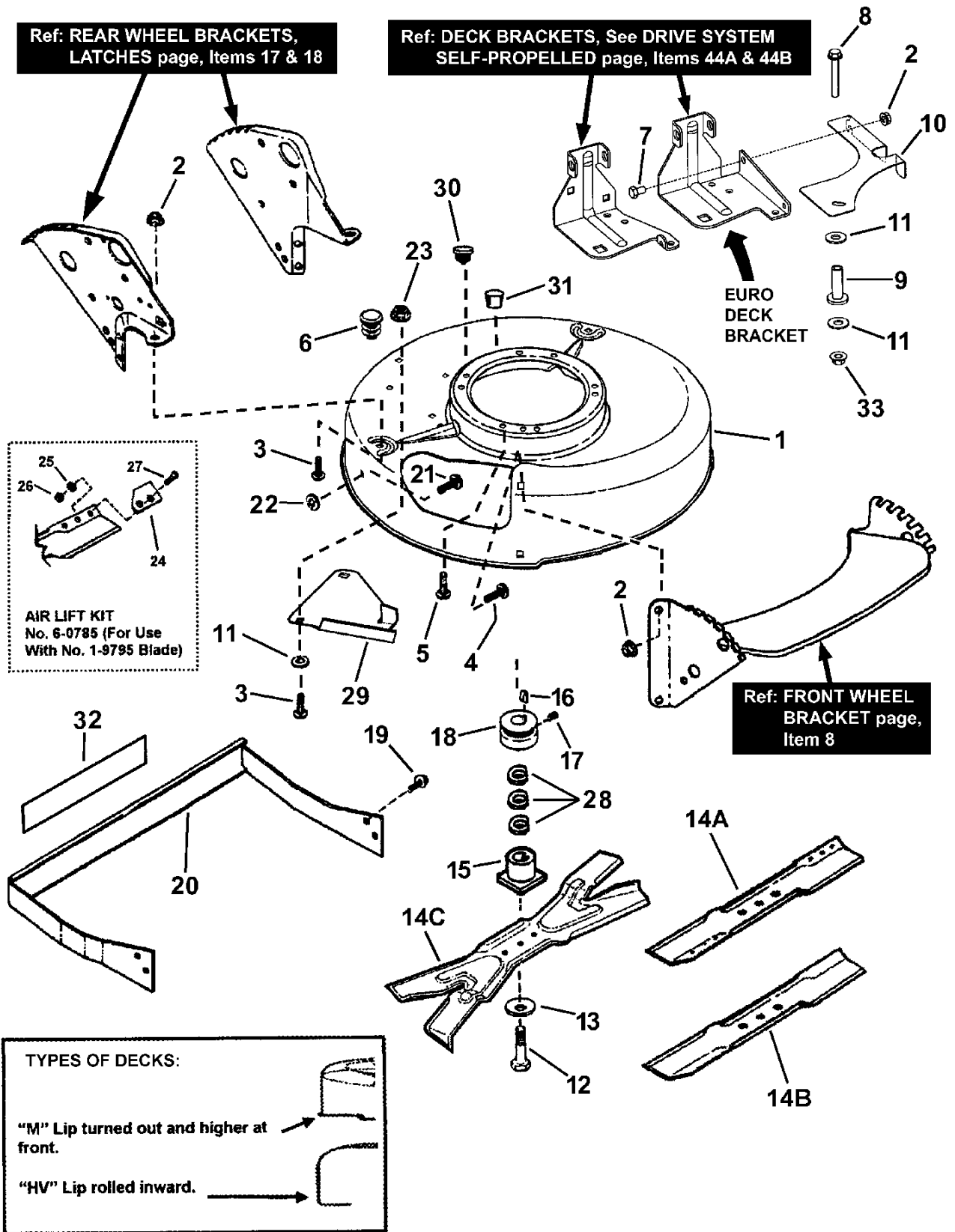
| Item | Part No | Qty | Description   | Note                                  |
|------|---------|-----|---|---------------------------------------|
| 1    | 7057663 | 1   | DECK, Mower (incl. painted "HV" Deck with Decals)           | <i>Non-Recycler models</i>            |
| 1    | 7072716 | 1   | DECK, Mower, 21" Hi-Vac (HV)                                | <i>216518B</i>                        |
| 1    | 7074949 | 1   | DECK, Mower (Includes painted "Euro M" Deck with No Decals) | <i>RP217018BVE</i>                    |
| 1    | 7057884 | 1   | * DECK, Mower, 21" Non-Adj Air (was 7041857 or 7057784)     | <i>Recycler models</i>                |
| 2    | 7091601 | 10  | NUT, 5/16-18 Hex Flange Lock, GR 5                          | <i>was 7090585</i>                    |
| 3    | 7090731 | 3   | BOLT, 5/16-18 x 1/2", Short Neck Carriage, GR 5             |                                       |
| 4    | 7091169 | 1   | BOLT, 5/16-18 x 1-1/8" Short Neck Carriage, GR 5            |                                       |
| 5    | 7090324 | 3   | SCREW, 3/8-16 x 1" Self-Tapping                             | <i>engine mount bolts</i>             |
| 6    | 7046780 | 2   | PLUG, Hole, Polyethylene                                    |                                       |
| 7    | 7090534 | 1   | SCREW, 5/16-18 x 1/2" Hex Head Cap, GR 5                    |                                       |
| 8    | 7090702 | 1   | BOLT, 5/16-18 x 2-1/4", Hex Flange Lock                     |                                       |
| 9    | 7013320 | 1   | BUSHING, .388 x .625 x 1.62                                 |                                       |
| 10   | 7033863 | 1   | COVER, Belt   | <i>European models</i>                |
| 11   | 7031961 | 3   | WASHER, 7/16" Flat  |                                       |
| 12   | 7090167 | 1   | SCREW, 3/8-24 x 2" Hex Head Cap, GR 5                       |                                       |
| 13   | 7012063 | 2   | WASHER, Cone  |                                       |
| 14A  | 7019795 | 1   | BLADE, Cutter, 21" Air Lift (European)                      | <i>EP217018BV</i>                     |
| 14B  | 7026691 | 1   | BLADE, Cutter (Standard Lift)                               | <i>Domestic Push &amp; S.P.models</i> |
| 14C  | 7026407 | 1   | BLADE, 21" Ninja (Quad Edge)                                | <i>Recycler models</i>                |
| 15   | 7015626 | 1   | HUB, Blade Drive 25mm I.D.                                  |                                       |
| 16   | 7091214 | 1   | KEY, Woodruff #HP-506 Hi-Pro                                |                                       |
| 17   | 7090201 | 1   | SET SCREW, 5/16-18 x 5/16" Hex Socket                       |                                       |
| 18   | 7015780 | 1   | PULLEY, Engine (25mm I. D. x 2-1/8" O.D.)                   |                                       |
| 19   | 7091122 | 6   | SCREW, 1/4-20 x 1/2" Hex Flange Self-Tap (was 90539)        | <i>EP217018BV &amp; ERP217018BV</i>   |
| 20   | 7041400 | 1   | WELDMENT, Fender  | <i>European models</i>                |
| 21   | 7091508 | 2   | BOLT, 5/16-18 x 3/4" Short Neck Carriage GR 5               | <i>was 7090001</i>                    |
| 22   | 7011791 | 1   | RETAINER, 5/16" Bolt  |                                       |
| 23   | 7091601 | 3   | NUT, 5/16-18 Hex Flange Lock, GR 5                          | <i>was 7091070</i>                    |
| --   | 7060785 | --  | KIT, Air Lift (Incl. items 24 thru 27)                      |                                       |
| 24   | 7032558 | 2   | AIR LIFT  |                                       |
| 25   | 7090391 | 4   | WASHER, 5/16" Internal Tooth Lock                           |                                       |
| 26   | 7091297 | 4   | NUT, 5/16-24 Hex, GR 5                                      | <i>was 7090223</i>                    |
| 27   | 7090228 | 4   | SCREW, 5/16-24 x 21/32" Machine                             |                                       |
| 28   | 7044770 | 3   | SPACER, .06 Thick   | <i>for blade hub</i>                  |
| 29   | 7074568 | 1   | COVER, Belt   |                                       |
| 30   | 7046471 | 3   | PLUG, 5/16" Square Hole                                     | <i>Push Models</i>                    |
| 31   | 7045264 | 2   | PLUG, 5/16" Round Hole                                      | <i>qty. 3 on Push Models</i>          |

### Footnotes:

Note\* Same deck as 7074949 except w/o battery bracket holes.

Note\* Purchase engine parts from engine manufacturer dealer.

**CUTTING DECK, BLADES**



## CUTTING DECK, BLADES

---

| Item | Part No | Qty | Description  | Note                                |
|------|---------|-----|--|-------------------------------------|
| 32   | 7073462 | 1   | DECAL, Caution, International Symbols              | <i>European models</i>              |
| 33   | 7090951 | 1   | NUT, 5/16-18 Hex Large Flange Center Lock          |                                     |
| --   | --      | 1   | *ENGINE, 6.0 Kawasaki, Model FJ180V-AS13-R         | <i>P216018KVV &amp; RP216018KVV</i> |
| --   | --      | 1   | *ENGINE, 6.5 Briggs Intek, Model 123K02-0124E1     | <i>216518B &amp; P216518B</i>       |
| --   | --      | 1   | *ENGINE, 7.0 Briggs Intek E/S, Model 128607-0113E1 | <i>P217018BVE &amp; RP217018BVE</i> |
| --   | --      | 1   | *ENGINE, 7.0 Briggs Intek, Model 128602-0112E1     | <i>EP217018BV &amp; ERP217018BV</i> |
| --   | --      | 1   | *ENGINE, 7.0 Briggs Intek, Model 128602-0149E1     | <i>P217018BV &amp; RP217018BV</i>   |

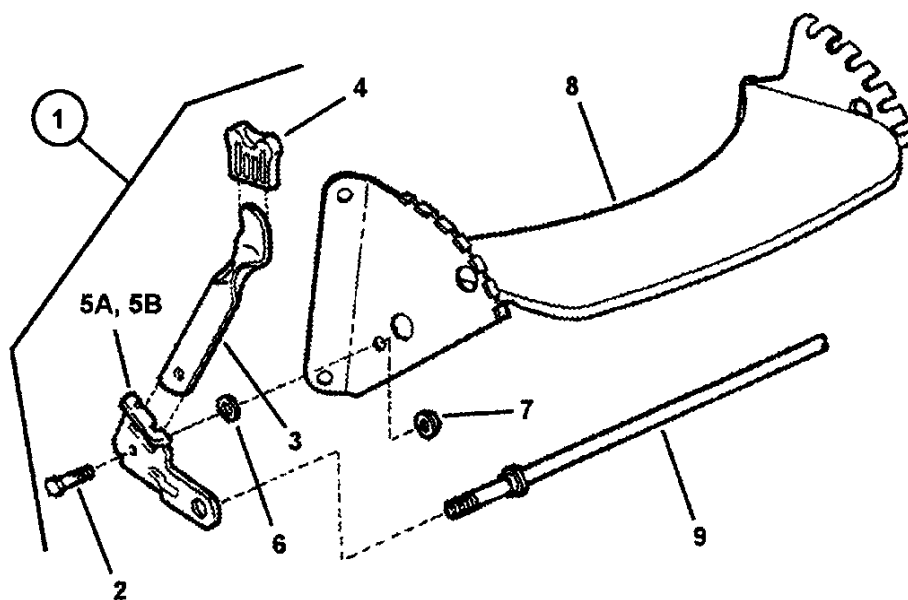
### Footnotes:

Note\* Same deck as 7074949 except w/o battery bracket holes.

Note\* Purchase engine parts from engine manufacturer dealer.

**FRONT WHEEL BRACKET**

---



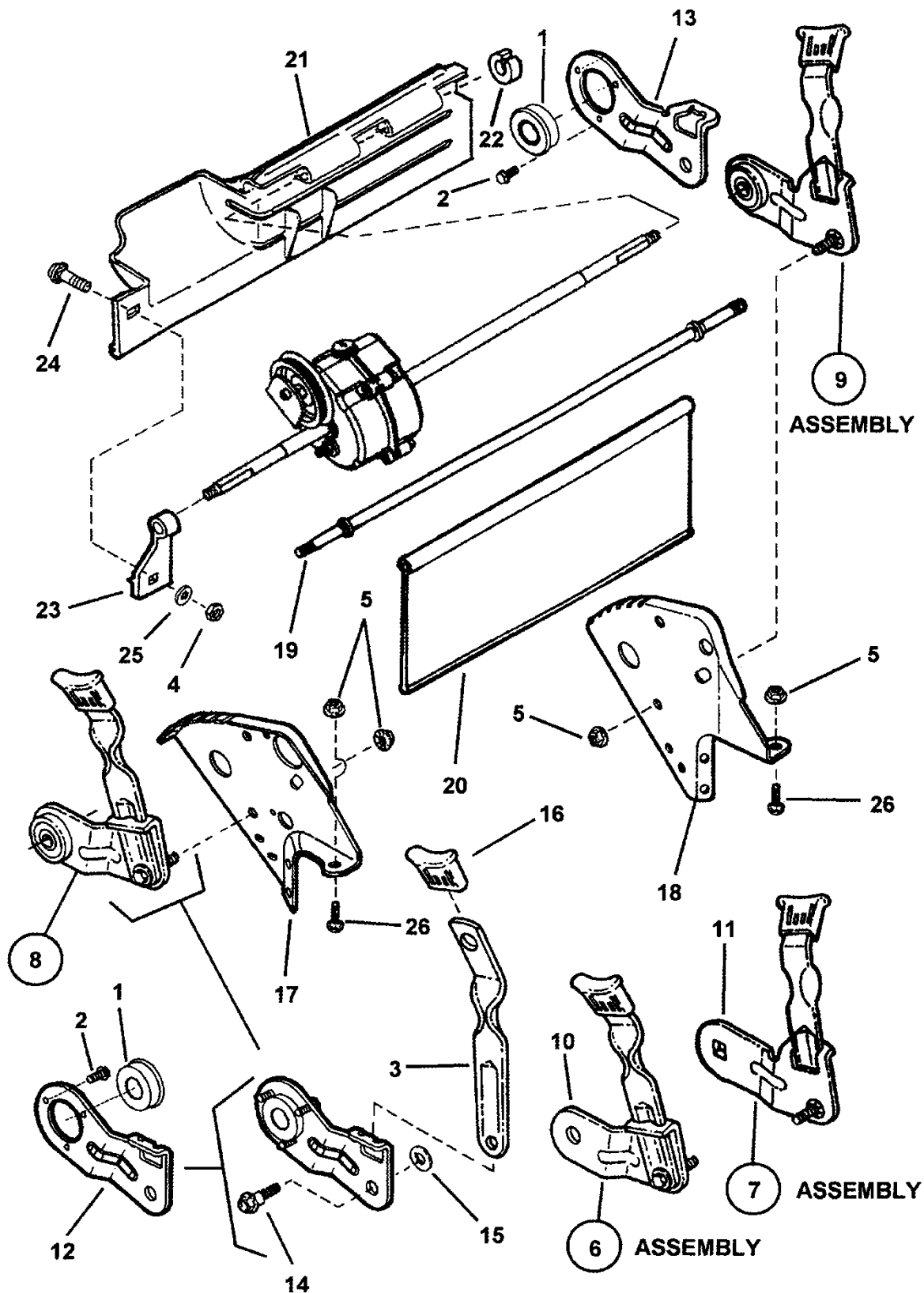
## FRONT WHEEL BRACKET

---

| Item | Part No | Qty | Description                            | Note                                     |
|------|---------|-----|--|--|
| 1    | 7051885 | 1   | ASSEMBLY, Left Wheel Arm               | <i>(Incl. items 2, 3, 4, 5B &amp; 6)</i> |
| --   | 7051886 | 1   | ASSEMBLY, Right Wheel Arm              | <i>(Incl. items 2, 3, 4, 5A &amp; 6)</i> |
| 2    | 7015761 | 1   | BOLT, 5/16-18 Hex washer Face Shoulder | <i>per wheel arm assembly</i>            |
| 3    | 7012325 | 1   | LATCH, Height                          | <i>per wheel arm assembly</i>            |
| 4    | 7027702 | 1   | GRIP, Height Latch                     | <i>per wheel arm assembly</i>            |
| 5A   | 7031017 | 1   | WHEEL ARM, R.H. Front (Round Hole)     |  |
| 5B   | 7031016 | 1   | WHEEL ARM, L.H. Front (Square Hole)    | <i>not shown</i>                         |
| 6    | 7011791 | 1   | RETAINER, 5/16" Bolt                   |  |
| 7    | 7091601 | 2   | NUT, 5/16-18 Hex Flange Lock, GR 5     | <i>was 7091070</i>                       |
| 8    | 7074702 | 1   | WELDMENT, Front Wheel Bracket          | <i>was 7041770 or 7074702 (all)</i>      |
| 9    | 7021119 | 1   | AXLE, 21"                              |  |

### Footnotes:

**REAR WHEEL BRACKETS, LATCHES**



## REAR WHEEL BRACKETS, LATCHES

---

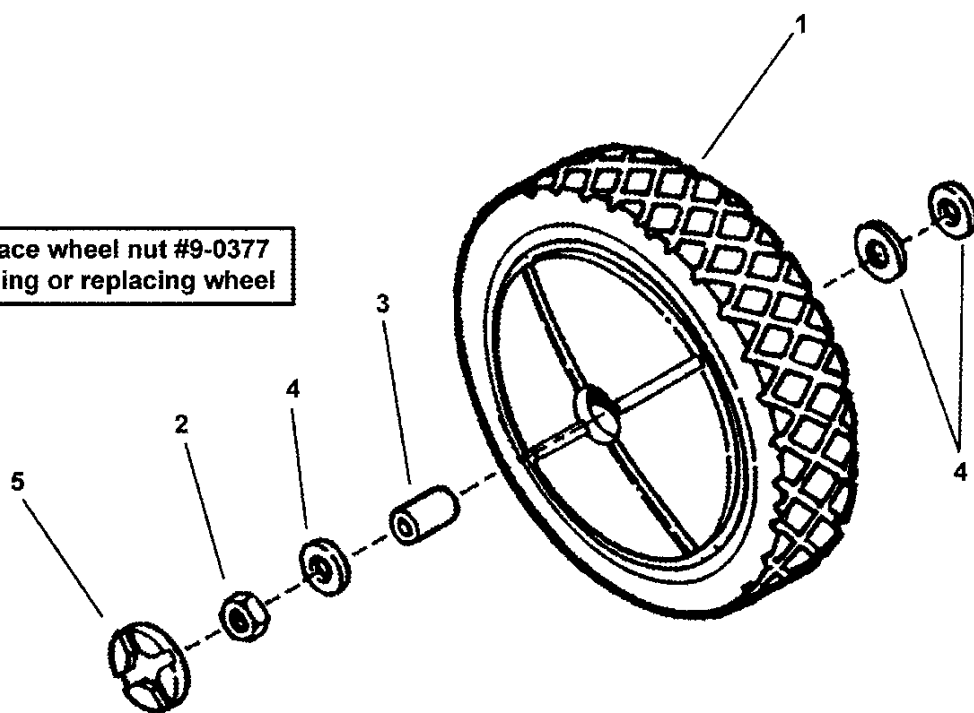
| Item | Part No | Qty | Description                                     | Note  |
|------|---------|-----|---|---|
| 1    | 7012312 | 1   | BEARING, 9/16" I.D.                             | <i>per Rear Wheel Arm</i>                   |
| 2    | 7091012 | 3   | SCREW, #10-32 x 3/8" Hex washer Self-Tap        | <i>per Rear Wheel Arm</i>                   |
| 3    | 7035717 | 1   | LATCH, Height Adjusting (long)                  | <i>per Rear Wheel Arm</i>                   |
| 4    | 7091576 | 1   | NUT, 1/4-20 Hex                                 | <i>was 7090063 or 7091100</i>               |
| 5    | 7091601 | 6   | NUT, 5/16-18 Hex Flange Lock, GR 5              | <i>was 7091070</i>                          |
| 6    | 7054228 | 1   | ASSY, Wheel Arm, Right Rear (Round hole) (Push) | <i>(Incl. items 3, 10, 14, 15 &amp; 16)</i> |
| 7    | 7054229 | 1   | ASSY, Wheel Arm, Left Rear (Square hole) (Push) | <i>(Incl. items 3, 11, 14, 15 &amp; 16)</i> |
| 8    | 7054230 | 1   | ASSY, Wheel Arm, Right Rear (S.P.)              | <i>Incl. 1,2,3,12,14,15 &amp; 16</i>        |
| 9    | 7054247 | 1   | ASSY, Wheel Arm, Left Rear (S.P.)               | <i>Incl. 1,2,3,13,14,15 &amp; 16</i>        |
| 10   | 7033776 | 1   | WHEEL ARM, R.H. Rear (round opening)            | <i>used on Push models</i>                  |
| 11   | 7033775 | 1   | WHEEL ARM, L.H. Rear (square opening)           | <i>used on Push models</i>                  |
| 12   | 7032722 | 1   | ARM, Wheel, Right Rear                          | <i>used on Self-Propelled models</i>        |
| 13   | 7032723 | 1   | ARM, Wheel, Left Rear                           | <i>used on Self-Propelled models</i>        |
| 14   | 7011078 | 1   | BOLT, 5/16-18 x 1" Shoulder                     | <i>per wheel arm assembly</i>               |
| 15   | 7011791 | 2   | RETAINER, 5/16" Bolt                            | <i>per wheel arm assembly</i>               |
| 16   | 7027702 | 1   | GRIP, Height Latch                              | <i>per wheel arm assembly</i>               |
| 17   | 7033494 | 1   | BRACKET, Right Rear Wheel                       | <i>all</i>                                  |
| 18   | 7033495 | 1   | BRACKET, Left Rear Wheel                        | <i>all</i>                                  |
| 19   | 7021119 | 1   | AXLE, 21"                                       | <i>qty. 2 on push ; 1 on s-p</i>            |
| 20   | 7035741 | 1   | FOOT GUARD, Long, Rear                          | <i>Push Models only</i>                     |
| 21   | 7029008 | 1   | FOOT GUARD, Rear                                | <i>Domestic Self Propelled</i>              |
| 21   | 7042918 | 1   | FOOT GUARD, Rear                                | <i>Euro Self-Propelled</i>                  |
| 22   | 7023791 | 1   | RING, Split (Black)                             | <i>used on Self-Propelled models</i>        |
| 23   | 7012616 | 1   | SUPPORT, Foot Guard                             | <i>used on Self-Propelled models</i>        |
| 24   | 7091604 | 1   | BOLT, 1/4-20 x 1/2" Short Neck Carriage GR 5    | <i>was 7090005 (Self-Propelled)</i>         |
| 25   | 7090053 | 1   | WASHER, 1/4" Internal Tooth Lock                | <i>was 7091023</i>                          |
| 26   | 7090731 | 2   | BOLT, 5/16-18 x 1/2", Short Neck Carriage, GR 5 |   |

### Footnotes:

## FRONT WHEELS

---

\*Always replace wheel nut #9-0377 when removing or replacing wheel





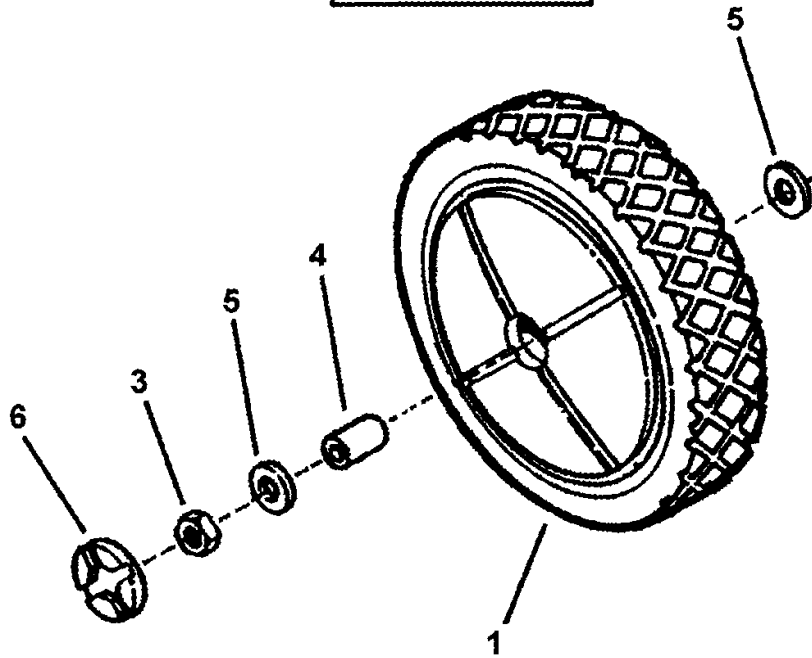
## **FRONT WHEELS**

---

| <b>Item</b> | <b>Part No</b> | <b>Qty</b> | <b>Description</b>               | <b>Note</b> |
|-------------|----------------|------------|----------------------------------|-------------|
| 1           | 7029010        | 2          | WHEEL, 8 x 1.75 Plastic          | <i>all</i>  |
| 2           | 7090377        | 2          | NUT, 7/16-20 Hex Center Lock Jam |             |
| 3           | 7012309        | 2          | BUSHING, Axle                    |             |
| 4           | 7031961        | 2          | WASHER, 7/16" Flat               |             |
| 5           | 7017829        | 2          | PLUG, Wheel                      | <i>all</i>  |

**Footnotes:**

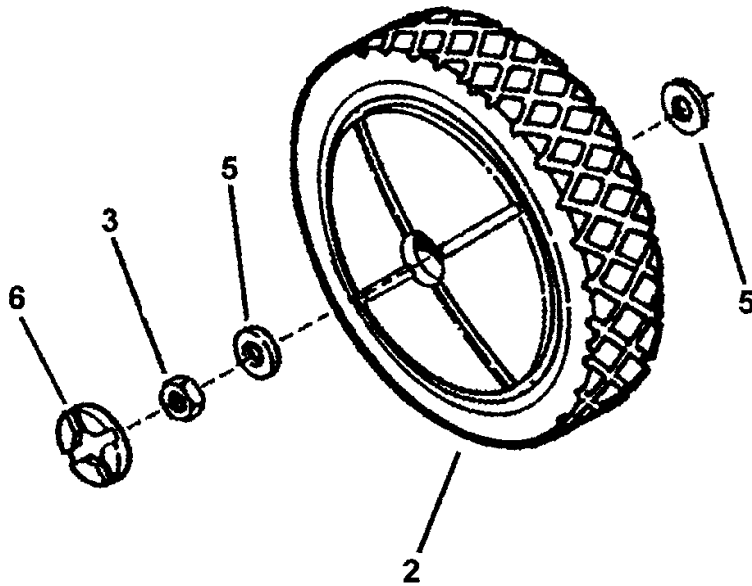
PUSH MODELS



---

---

SELF-PROPELLED MODELS



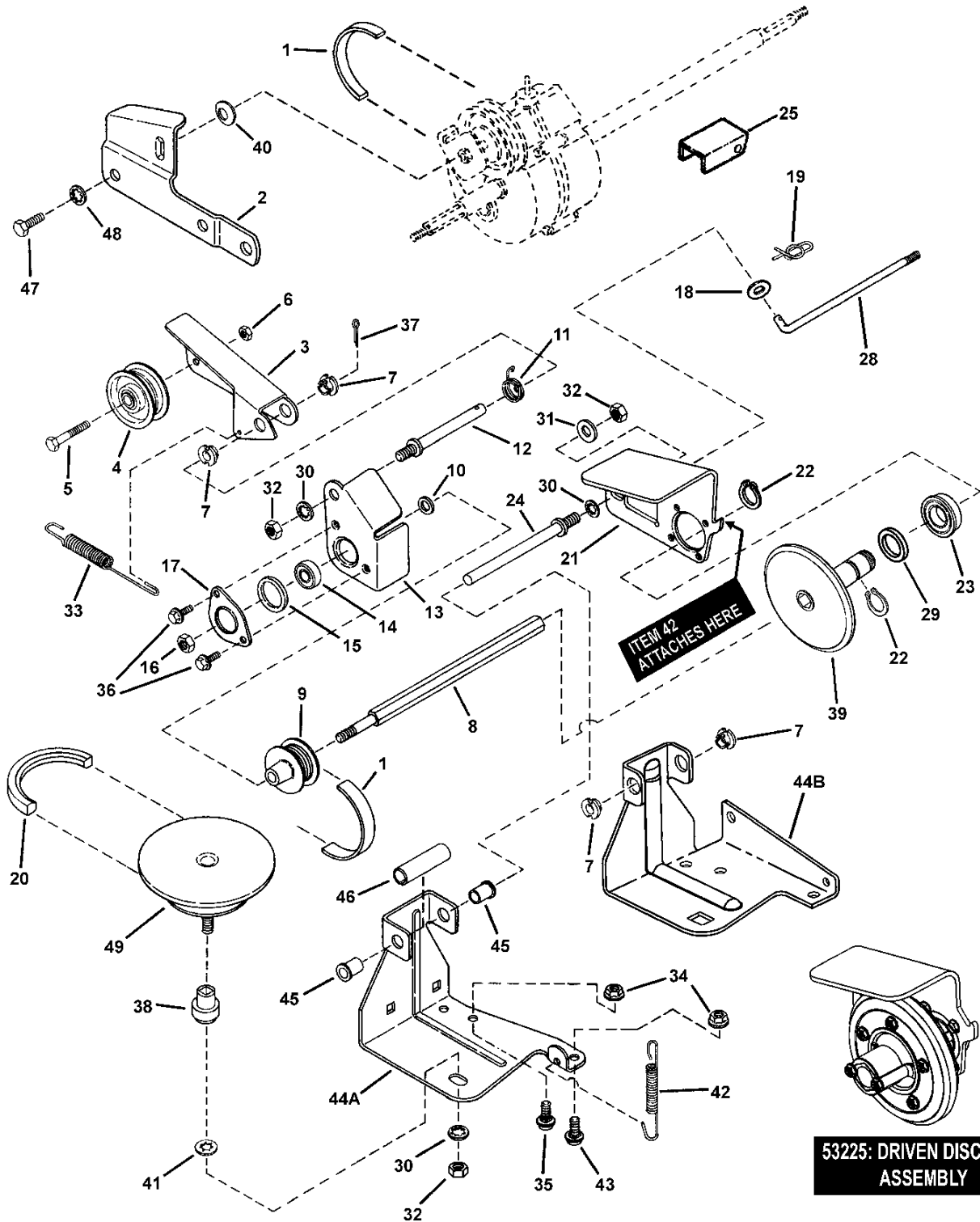
## **REAR WHEELS**

---

| <b>Item</b> | <b>Part No</b> | <b>Qty</b> | <b>Description</b>               | <b>Note</b>                          |
|-------------|----------------|------------|----------------------------------|--------------------------------------|
| 1           | 7074924        | 2          | WHEEL, 10 x 1.75" Plastic        | <i>Push Models only</i>              |
| 2           | 7029011        | 2          | WHEEL, 10 x 1.75" Plastic        | <i>used on Self-Propelled models</i> |
| 3           | 7090377        | 2          | NUT, 7/16-20 Hex Center Lock Jam | <i>all</i>                           |
| 4           | 7012309        | 2          | BUSHING, Axle                    | <i>Push Models only</i>              |
| 5           | 7031961        | 2          | WASHER, 7/16" Flat               |                                      |
| 6           | 7017829        | 2          | PLUG, Wheel                      | <i>all</i>                           |

### **Footnotes:**

# DRIVE SYSTEM SELF-PROPELLED



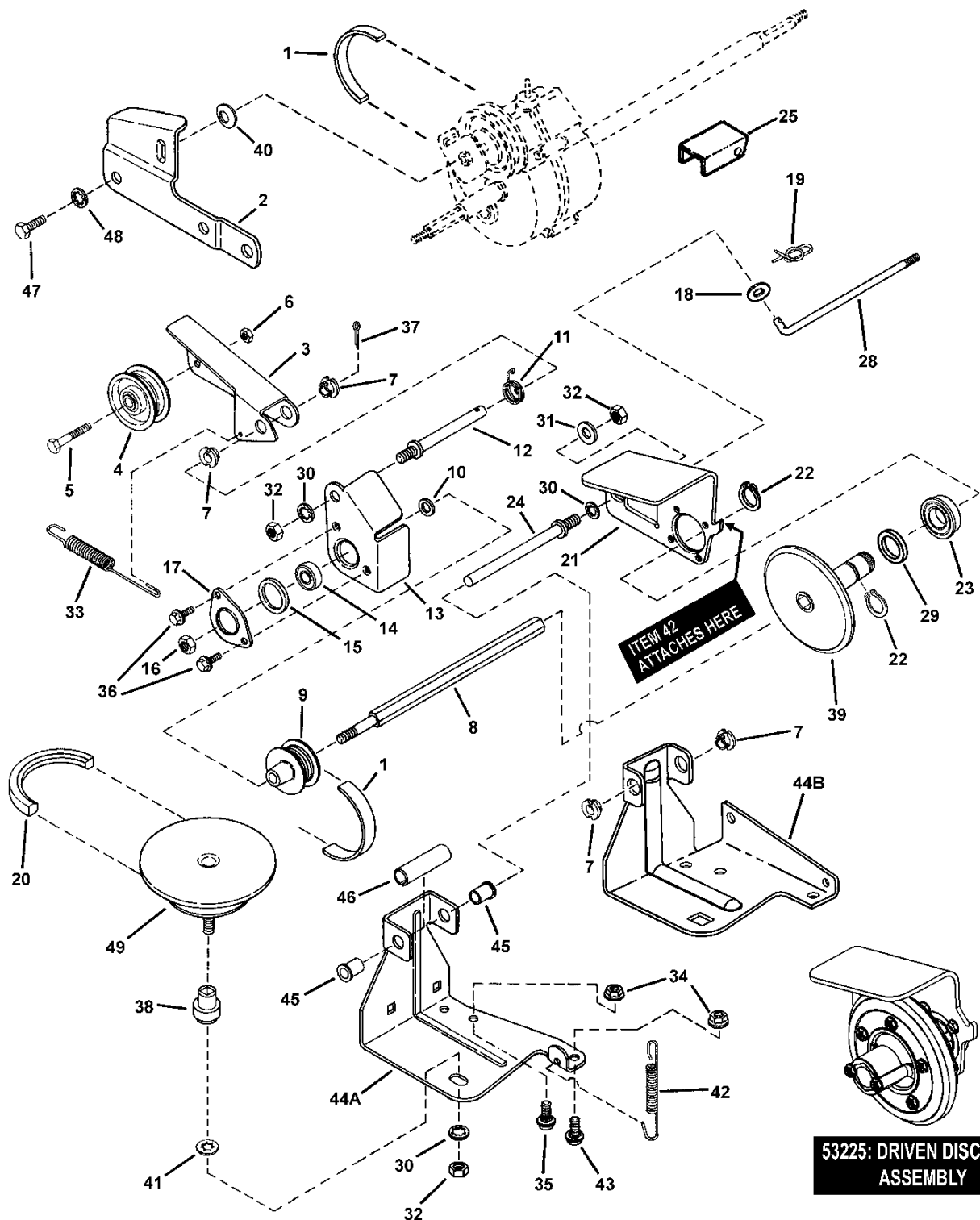
## **DRIVE SYSTEM SELF-PROPELLED**

| <b>Item</b> | <b>Part No</b> | <b>Qty</b> | <b>Description</b>                               | <b>Note</b>                                 |
|-------------|----------------|------------|--|---|
| 1           | 7012354        | 1          | BELT, Poly-V                                     |   |
| 2           | 7034179        | 1          | LINK, Differential                               |   |
| --          | 7051921        | --         | ASSEMBLY, Clutch Idler (Includes items 3 thru 7) |   |
| 3           | 7032832        | 1          | ARM, Clutch Idler                                |   |
| 4           | 7012124        | 1          | PULLEY, Idler                                    |   |
| 5           | 7091025        | 1          | SCREW, 1/4-28 x 1-3/8" Hex Head Cap, GR 5        |   |
| 6           | 7090303        | 1          | NUT, 1/4-28 Hex Top Lock                         |   |
| 7           | 7012117        | 4          | BUSHING, 3/8" I.D. Nylon                         |   |
| 8           | 7072284        | 1          | SHAFT, Hex Drive                                 |   |
| 9           | 7024521        | 1          | PULLEY, Poly-V (2" O.D.)                         | <i>for non-Commercial models</i>            |
| 10          | 7090188        | 1          | WASHER, 3/8" Flat                                |   |
| 11          | 7012126        | 1          | SPRING, Idler- Torsion                           |   |
| 12          | 7012111        | 1          | STUD, Idler (3/8-24 thread)                      |   |
| 13          | 7031873        | 1          | HOLDER, Bearing (Inner Half)                     |   |
| 14          | 7028014        | 1          | BALL BEARING, Spherical O.D., .38 I.D.           |   |
| 15          | 7011025        | 1          | O-RING   |   |
| 16          | 7090289        | 1          | NUT, 3/8-24 Hex Center Lock, GR 5                |   |
| 17          | 7031809        | 1          | HOLDER, Bearing (Outer Half)                     |   |
| 18          | 7091294        | 1          | WASHER, .28 x .63 x .06 Flat                     |   |
| 19          | 7090673        | 1          | COTTER PIN, .06 x .50                            | <i>was 7091629</i>                          |
| 20          | 7046784        | 1          | BELT, Engine Drive (Stretch)                     |   |
| 21          | 7034281        | 1          | THRUST PLATE, Short                              |   |
| 22          | 7010746        | 2          | RETAINING RING, .625 External                    |   |
| 23          | 7026693        | 1          | BALL BEARING- 3/4" Bore                          |   |
| 24          | 7012125        | 1          | GUIDE, Thrust Plate (3/8-24 thread)              |   |
| 25          | 7032664        | 1          | SHIELD, Hex Shaft                                | <i>European models only</i>                 |
| 26          | 7015753        | 1          | BALL JOINT, 1/4-28 (not shown)                   | <i>see Handles &amp; Controls page (39)</i> |
| 27          | 7090095        | 2          | NUT, 1/4-28 Hex (not shown)                      | <i>see Handles &amp; Controls page (40)</i> |
| 28          | 7074145        | 1          | LINK, Transfer (1/4-28 thread)                   |   |
| 29          | 7010121        | 1          | WASHER, 3/4" Shim                                |   |
| 30          | 7090390        | 3          | WASHER, 3/8" Internal Tooth Lock                 |   |
| 31          | 7090122        | 1          | WASHER, 3/8" Flat                                |   |
| 32          | 7091630        | 2          | NUT, 3/8-24 Hex                                  |   |
| 33          | 7012122        | 1          | SPRING, Clutch- 21S                              |   |
| 34          | 7091601        | 2          | NUT, 5/16-18 Hex Flange Lock, GR 5               | <i>was 7091070</i>                          |
| 35          | 7090731        | 1          | BOLT, 5/16-18 x 1/2", Short Neck Carriage, GR 5  |   |
| 36          | 7091122        | 2          | SCREW, 1/4-20 x 1/2" Hex Flange Self-Tap         | <i>was 7090539</i>                          |

### **Footnotes:**

Note\* Includes Steel Drive Disc Assy (7073528), Bushing (7013893), 3/8-16 Hex Nut (7091302) & item 38.

**DRIVE SYSTEM SELF-PROPELLED**



**53225: DRIVEN DISC ASSEMBLY**

## **DRIVE SYSTEM SELF-PROPELLED**

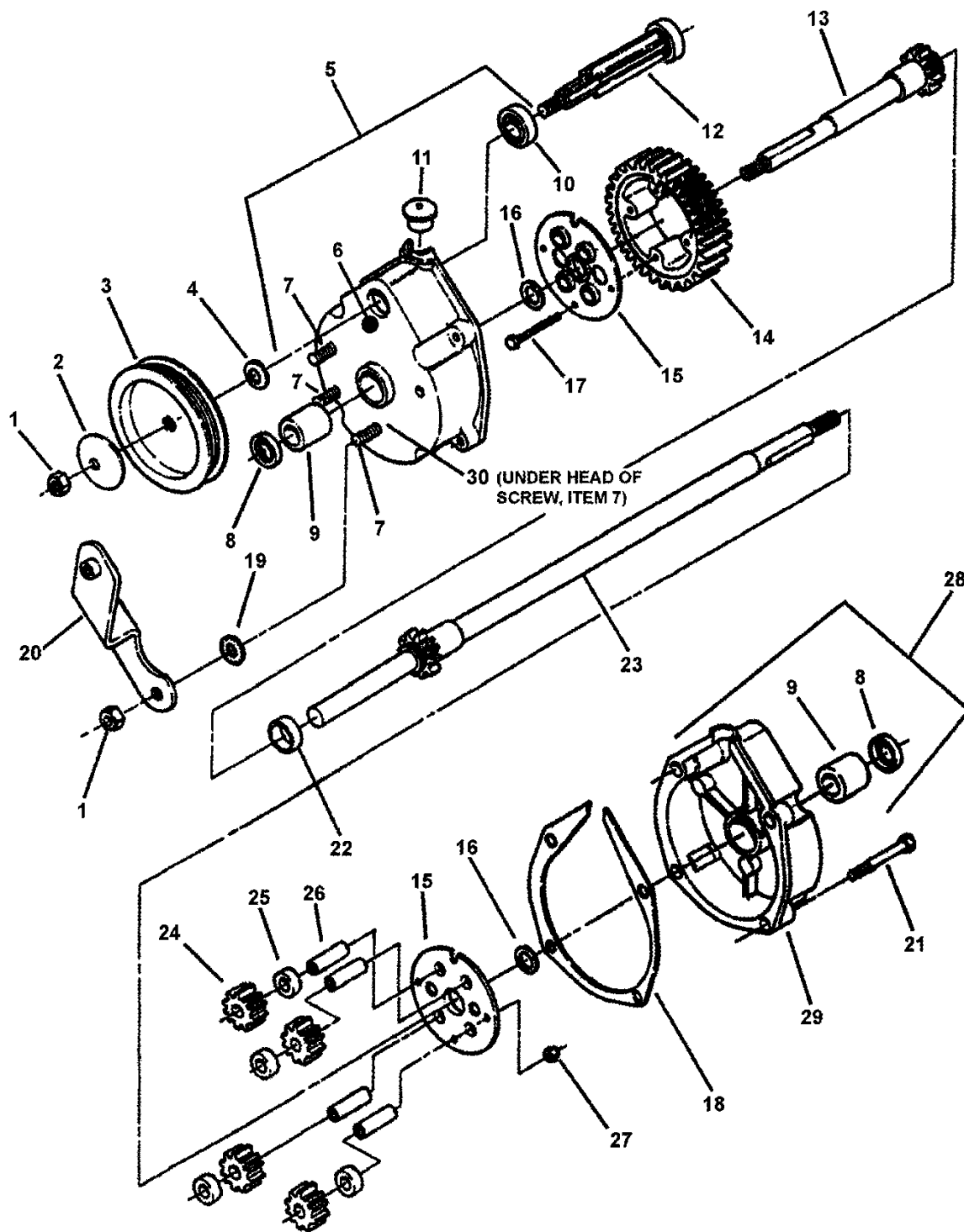
---

| <b>Item</b> | <b>Part No</b> | <b>Qty</b> | <b>Description</b>                                | <b>Note</b>                                      |
|-------------|----------------|------------|---|--|
| 37          | 7091597        | 1          | COTTER PIN, 3/32 x 1/2"                           | <i>was 7090555</i>                               |
| 38          | 7017696        | 1          | BUSHING, Powdered Metal                           |  |
| 39          | 7041855        | 1          | DISC, Driven (Cantilever)                         |  |
| 40          | 7011724        | 1          | WASHER, 44 x .78 x .025 Curved                    |  |
| 41          | 7013847        | 1          | RETAINER, 3/8" Bolt                               |  |
| 42          | 7029025        | 1          | SPRING, Wheel Drive                               |  |
| 43          | 7090799        | 1          | BOLT, 5/16-18 x 5/8" Short Neck Carriage GR 5     | <i>was 7091026</i>                               |
| --          | 7059462        | 1          | ASSEMBLY, Deck Bracket (Incl. items 7 & 44A)      | <i>RP216018KWV &amp; RP217018BV</i>              |
| --          | 7052987        | 1          | ASSEMBLY, Deck Bracket (Incl. items 44B, 45 & 46) | <i>all S. P. models except for 2 shown above</i> |
| 44A         | 7031919        | 1          | BRACKET, Deck, V21                                |  |
| 44B         | 7033774        | 1          | BRACKET, Deck, P21S                               |  |
| 45          | 7012306        | 2          | BUSHING, Flange, .381 x .625 x .62                |  |
| 46          | 7021758        | 1          | SPACER, .500 x .65 x 1.75                         |  |
| 47          | 7090534        | 1          | SCREW, 5/16-18 x 1/2" Hex Head Cap, GR 5          |  |
| 48          | 7090391        | 1          | WASHER, 5/16" Internal Tooth Lock                 |  |
| 49          | 7061275        | --         | *KIT, Drive Disc Assembly                         |  |

### **Footnotes:**

Note\* Includes Steel Drive Disc Assy (7073528), Bushing (7013893), 3/8-16 Hex Nut (7091302) & item 38.

# TRANSMISSION (DIFFERENTIAL)





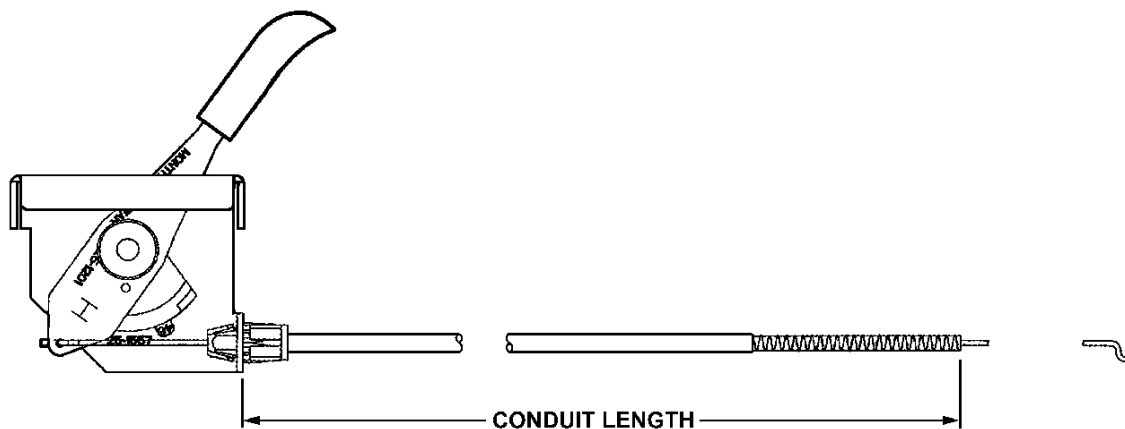
## TRANSMISSION (DIFFERENTIAL)

| Item | Part No | Qty   | Description   | Note                         |
|------|---------|-------|---|------------------------------|
| --   | 7059070 | 1     | ASSEMBLY, Transmission (Incl. items 1 thru 30)            | <i>Self-Propelled Models</i> |
| 1    | 7092062 | 4     | NUT, 5/16-18 Hex Lock                                     | <i>was 7011201</i>           |
| 2    | 7092063 | 1     | WASHER, Cone  |                              |
| 3    | 7019213 | 1     | PULLEY, Poly-V Belt (3.5 O.D.)                            |                              |
| 4    | 7011724 | 2     | WASHER, 44 x .78 x .025 Curved                            |                              |
| 5    | 7053941 | 1     | ASSEMBLY, Right Housing (Incl. items 6, 7, 8, 9, 10 & 30) |                              |
| 6    | 7029034 | 1     | HOUSING, Right Side                                       |                              |
| 7    | 7014155 | 3     | SCREW, 5/16-24 x 1-1/8" Rib Neck, GR 5                    |                              |
| 8    | 7012314 | 1     | SEAL, 5/8" Internal Diameter                              |                              |
| 9    | 7029035 | 1     | BEARING, Tapered- (Differential Housing)                  |                              |
| 10   | 7073963 | 1     | BALL BEARING, 7/16 I.D., 1/1/8" O.D.                      | <i>was 7011767</i>           |
| 11   | 7016544 | 1     | PLUG, Transmission Housing                                |                              |
| 12   | 7050767 | 1     | GEAR, Input   |                              |
| 13   | 7051932 | 1     | AXLE, Short   |                              |
| 14   | 7012495 | 1     | GEAR, Differential (46 Tooth)                             |                              |
| 15   | 7031970 | 2     | PLATE, 46T Gear   |                              |
| 16   | 7031965 | 2     | WASHER, Thrust, 3/4" I.D.                                 |                              |
| 17   | 7090557 | 4     | SCREW, #10-32 x 1-1/2" Hex Head Cap GR 5                  |                              |
| 18   | 7011774 | 1     | GASKET, Housing   |                              |
| 19   | 7090189 | 3     | WASHER, 5/16" Internal/External Tooth Lock                |                              |
| 20   | 7051903 | 1     | BRACKET, Differential                                     |                              |
| 21   | 7091825 | 4     | SCREW, 1/4-20 x 1" Hex washer Self-Tap                    | <i>was 7092064</i>           |
| 22   | 7012543 | 1     | SPACER, Axle Gear   |                              |
| 23   | 7051933 | 1     | ASSEMBLY, Long Axle                                       |                              |
| 24   | 7021115 | 4     | GEAR, Pinion (12 tooth)                                   |                              |
| 25   | 7012500 | 4     | SPACER, Pinion Gear                                       |                              |
| 26   | 7011110 | 4     | SHAFT, Pinion   |                              |
| 27   | 7090376 | 4     | NUT, #10-32 Hex Nyloc                                     |                              |
| 28   | 7053938 | 1     | ASSY, Left Housing (Phantom)                              |                              |
| 29   | 7029033 | 1     | HOUSING, Left   |                              |
| 30   | 7024442 | 3     | GASKET, 5/8" O. D.  |                              |
| --   | 7061017 | 32oz. | "00" Grease   | <i>not shown</i>             |

### Footnotes:

NOTE: Transmission Assemblies 7053928 & 7053971 (Euro) are available & include Foot Guards.

NOTE: Maximum capacity of transmission case is 4 oz. DO NOT OVERFILL!




---

**ENGINE SPECIFICATIONS**

| ENGINE H.P. | START TYPE | MANUFACTURER | MODEL  | TYPE    | USED ON:                 |
|-------------|------------|--------------|--------|---------|--------------------------|
| 6.0         | ROPE       | KAWASAKI     | FJ180V | AS13-R  | P216018KWV & RP216018KWV |
| 6.5         | ROPE       | BRIGGS       | 123K02 | 0124-E1 | 216518B & P216518B       |
| 7.0         | ELECTRIC   | BRIGGS       | 128607 | 0113-E1 | P217018BVE & RP217018BVE |
| 7.0         | ROPE       | BRIGGS       | 128602 | 0112-E1 | EP217018BV & ERP217018BV |
| 7.0         | ROPE       | BRIGGS       | 128602 | 0149-E1 | P217018BV & RP217018BV   |

## THROTTLE CONTROLS/ENGINE SPECS

---

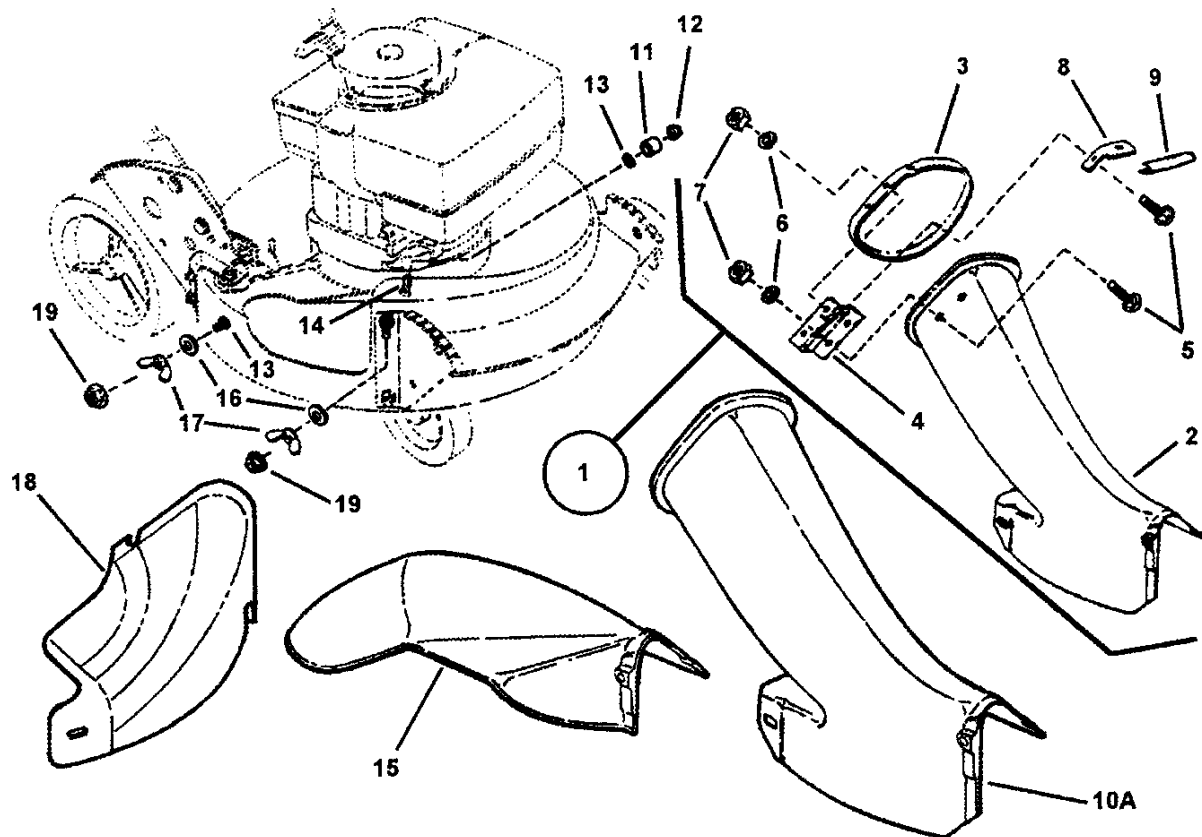
| Item | Part No | Qty | Description                 | Note                   |
|------|---------|-----|-----------------------------|------------------------|
| --   | 7074460 | 1   | THROTTLE CONTROL, .48 x .61 | <i>Briggs models</i>   |
| --   | 7074138 | 1   | THROTTLE CONTROL, 6.0 KWV   | <i>Kawasaki models</i> |

### Footnotes:

conduit length: 48-1/2"

conduit length: 53-1/4"

# SIDE CHUTE ADAPTER



## **SIDE CHUTE ADAPTER**

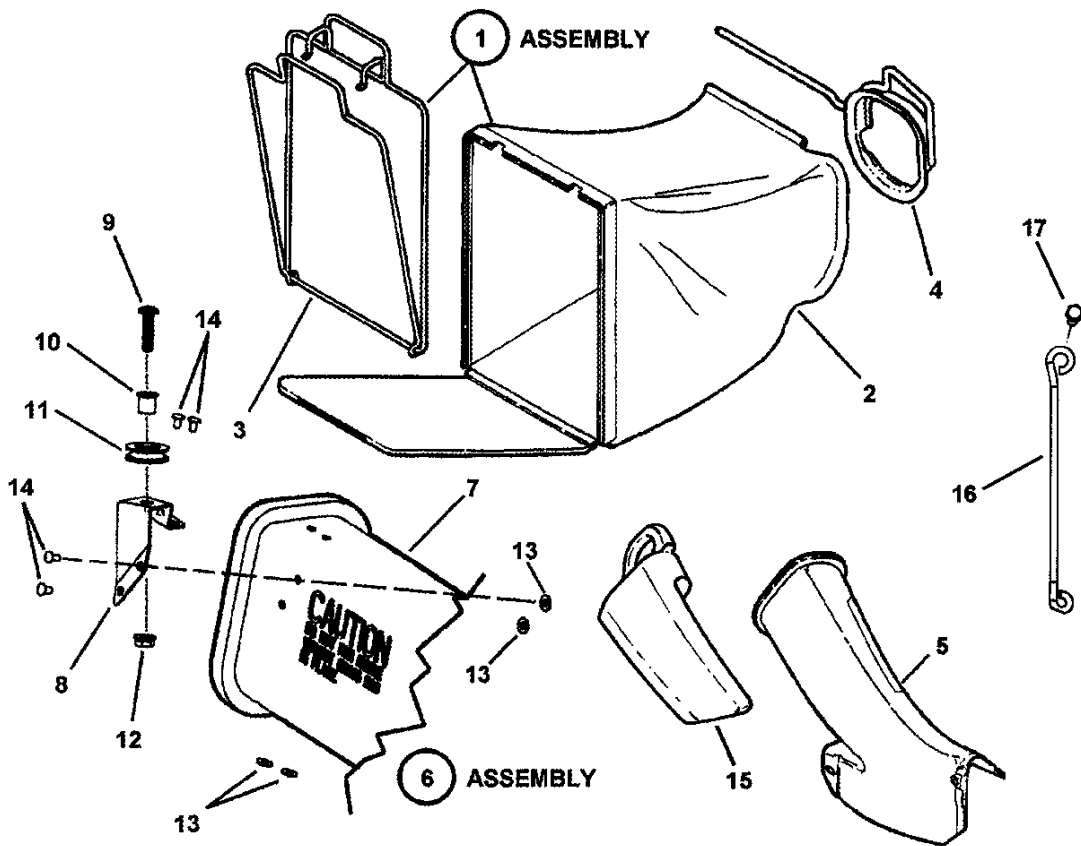
---

| <b>Item</b> | <b>Part No</b> | <b>Qty</b> | <b>Description</b>                            | <b>Note</b>                         |
|-------------|----------------|------------|---|-------------------------------------|
| 1           | 7051951        | 1          | ASSY, Bag Adapter & Cover (Euro only)         | <i>(Incl items 2 thru 9)</i>        |
| 2           | 7016107        | 1          | ADAPTER, Grass Bag                            |                                     |
| 3           | 7019287        | 1          | COVER, Bag Adapter                            |                                     |
| 4           | 7023000        | 1          | HINGE, Chute Cover                            |                                     |
| 5           | 7091064        | 5          | BOLT, 1/4-20 x 1/2" Short Neck Carriage, GR 5 |                                     |
| 6           | 7090053        | 5          | WASHER, 1/4" Internal Tooth Lock              | <i>was 7091023</i>                  |
| 7           | 7091576        | 5          | NUT, 1/4-20 Hex                               | <i>was 7091100</i>                  |
| 8           | 7032661        | 1          | STOP, Cover                                   |                                     |
| 9           | 7023042        | 1          | MOULDING, Trim                                |                                     |
| 10A         | 7016050        | 1          | ADAPTER, Grass Bag                            |                                     |
| 10B         | 7058037        | 1          | ASSY, Grass Bag Adapter                       | <i>see Grass Bag Accessory page</i> |
| 11          | 7024340        | 1          | SPACER, .316 I.D. x .375 O.D. x .310 thick    |                                     |
| 12          | 7090951        | 1          | NUT, 5/16-18 Hex Large Flange Center Lock     |                                     |
| 13          | 7011791        | 1          | RETAINER, 5/16" Bolt                          |                                     |
| 14          | 7091508        | 2          | BOLT, 5/16-18 x 3/4" Short Neck Carriage GR 5 | <i>was 7090001</i>                  |
| 15          | 7042965        | 1          | CHUTE, 21" Side                               | <i>P216018KVV</i>                   |
| 16          | 7090122        | 2          | WASHER, 5/16" Flat                            | <i>was 7091514</i>                  |
| 17          | 7024085        | 2          | WING-NUT, 5/16-18 Nyloc                       |                                     |
| 18          | 7029149        | 1          | COVER, 21" Deck                               | <i>Recycler models</i>              |
| 19          | 7090951        | 2          | NUT, 5/16-18 Hex Large Flange Center Lock     |                                     |

### **Footnotes:**

Note: For Grass Catcher components see Grass Bag Accessory page.

**ACCESSORY GRASS BAG**



## ACCESSORY GRASS BAG

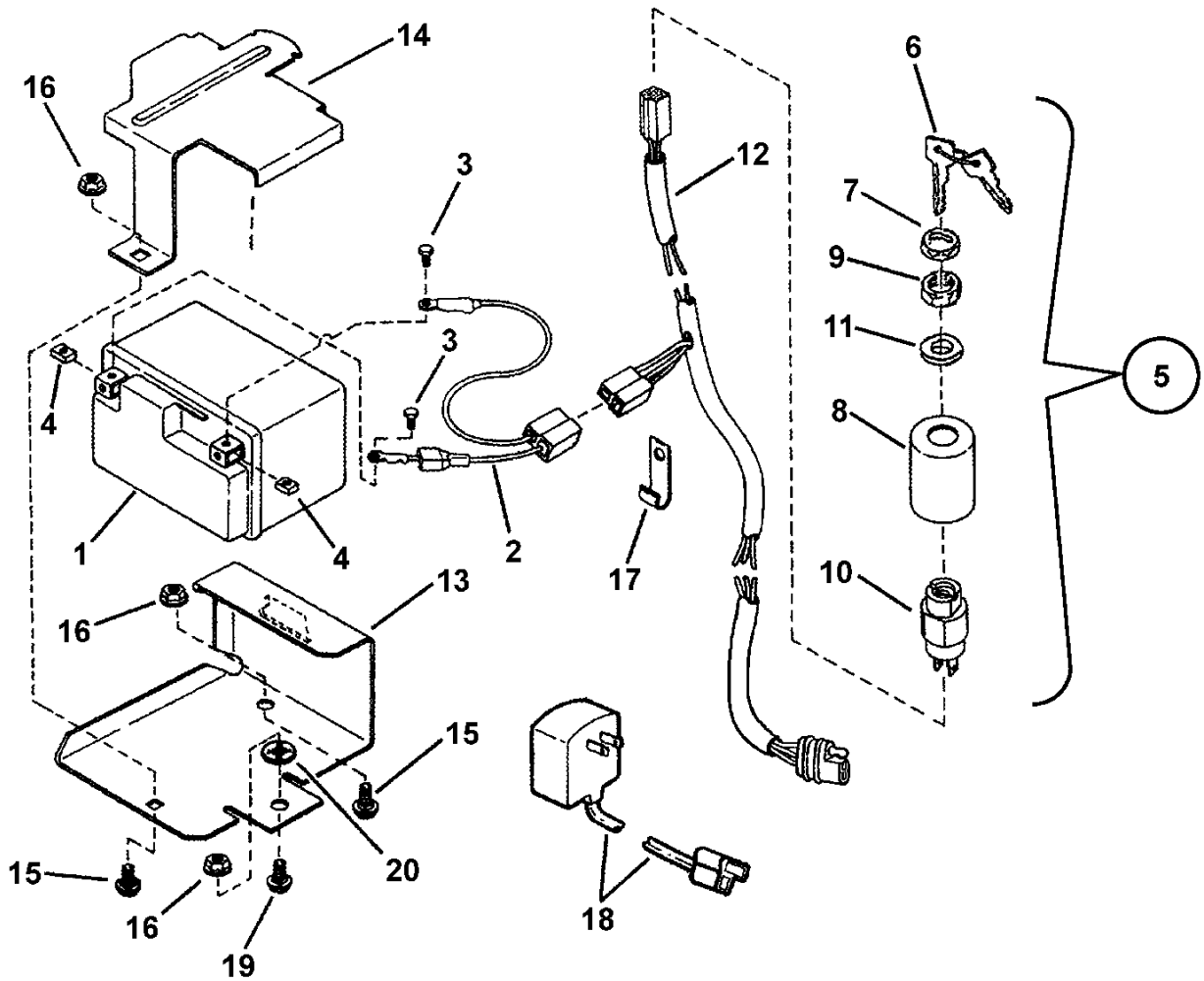
| Item | Part No | Qty | Description   | Note                                      |
|------|---------|-----|---|---|
| --   | 7061919 | --  | KIT, Grass Bag Catcher                                | <i>was 7061824 (Incl. items 2 thru 5)</i> |
| 1    | 7059322 | --  | ASSEMBLY, Grass Bag                                   | <i>was 7054058 (Incl. items 2 thru 4)</i> |
| 2    | 7075765 | 1   | GRASS BAG (Door w/Gray Letters)                       | <i>all</i>                                |
| 3    | 7051906 | 1   | ASSEMBLY, Bag Wire (12" Wide)                         | <i>all</i>                                |
| 4    | 7042489 | 1   | CONNECTOR, Grass Bag (weldment)                       | <i>all</i>                                |
| 5    | 7016050 | 1   | ADAPTER, Grass Bag                                    | <i>used on Euro S. P.</i>                 |
| 6    | 7058037 | 1   | ASSEMBLY, Grass Bag Adapter                           | <i>Includes items 7 thru 14</i>           |
| 7    | 7047081 | 1   | ADAPTER, Grass Bag                                    | <i>used on Domestic S. P.</i>             |
| 8    | 7047082 | 1   | BRACKET, Rope Guide                                   |   |
| 9    | 7091984 | 1   | SCREW, 5/16-18 x 1-1/4" Pan Head Machine              |   |
| 10   | 7012306 | 1   | BUSHING, Flange, .381 x .625 x .62                    |   |
| 11   | 7024228 | 1   | PULLEY, Nylon   |   |
| 12   | 7091601 | 1   | NUT, 5/16-18 Hex Flange Lock, GR 5                    | <i>was 7091070</i>                        |
| 13   | 7072107 | 3   | WASHER, 15/32" Flat                                   |   |
| 14   | 7013860 | 3   | RIVET, 3/16 x .344                                    |   |
| 15   | 7016814 | 1   | *PLUG, Chute Adapter                                  |   |
| 16   | 7043327 | 1   | BRACE, Bag Adapter                                    | <i>P216018KVV &amp; RP216018KVV</i>       |
| 17   | 7078102 | 1   | SCREW, M6 x 1.0 x 30MM Hex Head Cap                   | <i>P216018KVV &amp; RP216018KVV</i>       |
| 18   | 7078101 | 1   | SLEEVE, .237/.242 ID x .3135/.3185 x .748 (not shown) | <i>Kawasaki models only</i>               |

### Footnotes:

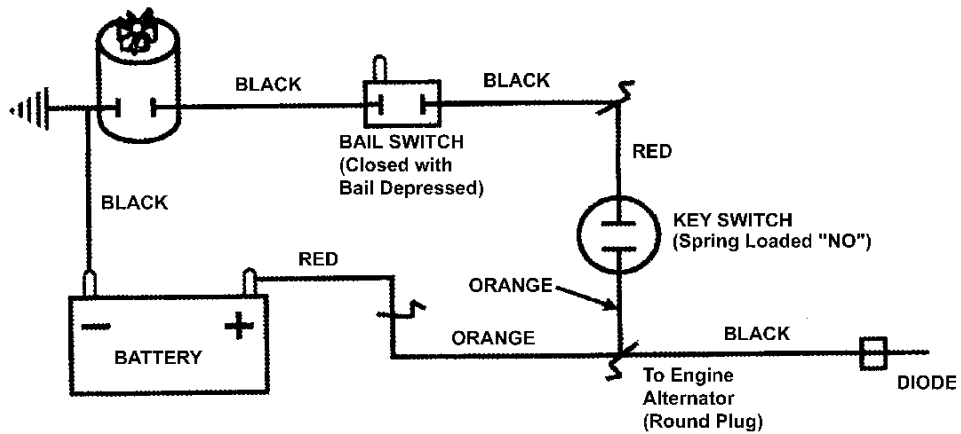
NOTE: Bag Assembly 7058571 is composed of items 2, 3 and 4.

Note\* Used on P216018KVV, P217018BV, P217018BVE & EP217018BV

# ELECTRIC START COMPONENTS



STARTER MOTOR



BATTERY WIRING SCHEMATIC FOR BRIGGS ENGINE



## ***ELECTRIC START COMPONENTS***

---

| <b>Item</b> | <b>Part No</b> | <b>Qty</b> | <b>Description</b>                              | <b>Note</b>                         |
|-------------|----------------|------------|---|-------------------------------------|
| --          | 7067012        | 1          | *KIT, Battery 12V                               | <i>P217018BVE &amp; RP217018BVE</i> |
| 1           | 7067012        | 1          | BATTERY, 12 Volt, 35 CCA                        | <i>was 7019763</i>                  |
| 2           | 7015488        | 1          | HARNESS, Battery                                |                                     |
| 3           | 7043977        | 2          | SCREW, #10-24 x 1/2" Pan Head Machine           |                                     |
| 4           | 7090932        | 2          | NUT, #10-24 Square                              |                                     |
| 5           | --             | 1          | **SWITCH ASSEMBLY (Incl. items 6 thru 11)       |                                     |
| 6           | 7011138        | 1          | KEY (Set of Two)                                |                                     |
| 7           | 7023506        | 1          | BEZEL (Seal & Face Nut)                         |                                     |
| 8           | 7029080        | 1          | COVER, Switch                                   |                                     |
| 9           | 7012685        | 1          | NUT, 5/8-32 Hex Lock                            |                                     |
| 10          | 7028765        | 1          | SWITCH, Ignition (spring loaded ON/OFF 2 prong) |                                     |
| 11          | 7016132        | 1          | SPACER  |                                     |
| 12          | 7078025        | 1          | WIRING HARNESS, B&S WBM                         | <i>similar to 7074383</i>           |
| 13          | 7032906        | 1          | BRACKET, Battery                                |                                     |
| 14          | 7036132        | 1          | COVER, Battery                                  |                                     |
| 15          | 7090731        | 2          | BOLT, 5/16-18 x 1/2" Short Neck Carriage GR 5   |                                     |
| 16          | 7091601        | 3          | NUT, 5/16-18 Hex Flange Lock, GR 5              | <i>was 7090585</i>                  |
| 17          | 7012652        | 1          | CLIP, Wiring                                    |                                     |
| 18          | 7018834        | 1          | CHARGER, Battery (120 Volt; 60 Hertz)           |                                     |
| 18          | 7018977        | 1          | CHARGER, Battery (230 Volt; 50 Hertz)           |                                     |
| 19          | 7090799        | 1          | BOLT, 5/16-18 x 5/8" Short Neck Carriage GR 5   | <i>was 7091026</i>                  |
| 20          | 7011791        | 1          | RETAINER, 5/16" Bolt                            |                                     |

### **Footnotes:**

Note\* For battery and charger kit order 7061267.

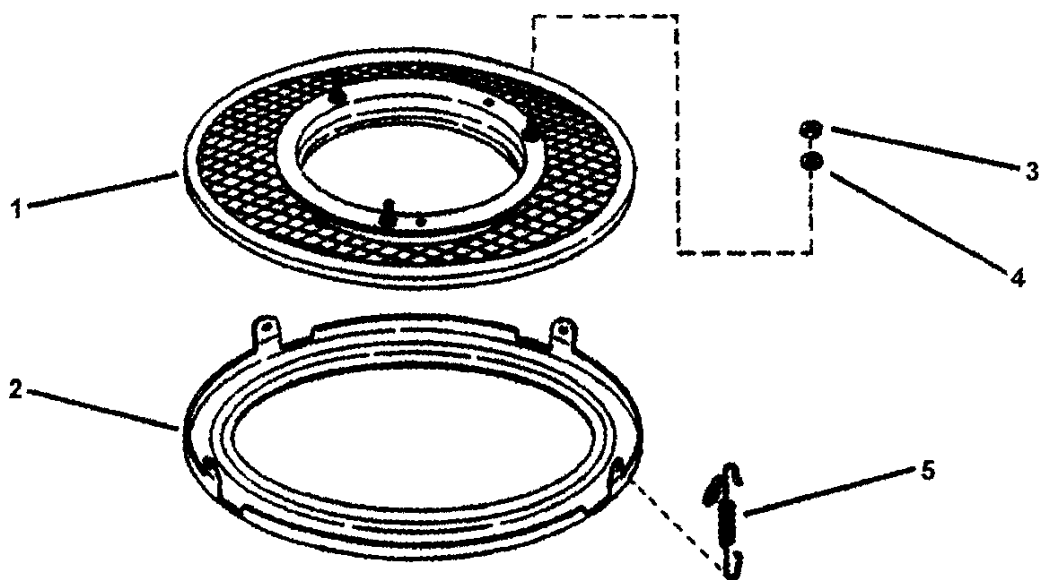
Note\*\* Not available as a part sale item, order individual parts.



## DECALS

| Item | Part No | Qty | Description                             | Note             |
|------|---------|-----|---|------------------|
| 1    | 7029365 | 1   | DECAL, Easy Walk                        |                  |
| 2    | 7075524 | 1   | DECAL, Throttle Control, KVV            |                  |
| 3    | 7075532 | 1   | DECAL, Throttle Control, B&S            |                  |
| 4    | 7075471 | 1   | DECAL, Speed Shift                      |                  |
| 5    | 7046720 | 1   | DECAL, Chute/Deflector                  |                  |
| 6    | 7075688 | 1   | DECAL, Ignition Switch                  |                  |
| 7    | 7013010 | 1   | DECAL, Danger, Cut Finger               |                  |
| 8    | 7075750 | 1   | DECAL, Hi Vac                           |                  |
| 9    | 7075619 | 1   | DECAL, Ninja                            |                  |
| 10   | 7075618 | 1   | DECAL, Snapper                          |                  |
| 11   | 7072921 | 1   | DECAL, Warning (Deck)                   |                  |
| 12   | 7029490 | 1   | DECAL, 2004 Year of Mfg.                |                  |
| 13   | 7029776 | 1   | DECAL,Euro Community (CE)               |                  |
| 14   | 7029779 | 1   | DECAL, Spart Plug International Symbol  |                  |
| 15   | 7073462 | 1   | DECAL, Caution, Symbols                 |                  |
| 16   | 7074135 | 1   | DECAL, Noise (European)                 |                  |
| 17   | 7022841 | 2   | DECAL, Warning (Euro)                   |                  |
| 18   | 7078022 | 1   | DECAL, OPEI Walk/Ride                   |                  |
| 19   | 7046357 | 1   | DECAL, Warning                          |                  |
| 20   | 7029784 | 2   | DECAL, Deck/Chute International Warning |                  |
| 21   | 7029782 | 1   | DECAL, OPC Bail (International Symbol)  |                  |
| 22   | 7029470 | 1   | DECAL, Patent Numbers                   | <i>not shown</i> |

### Footnotes:



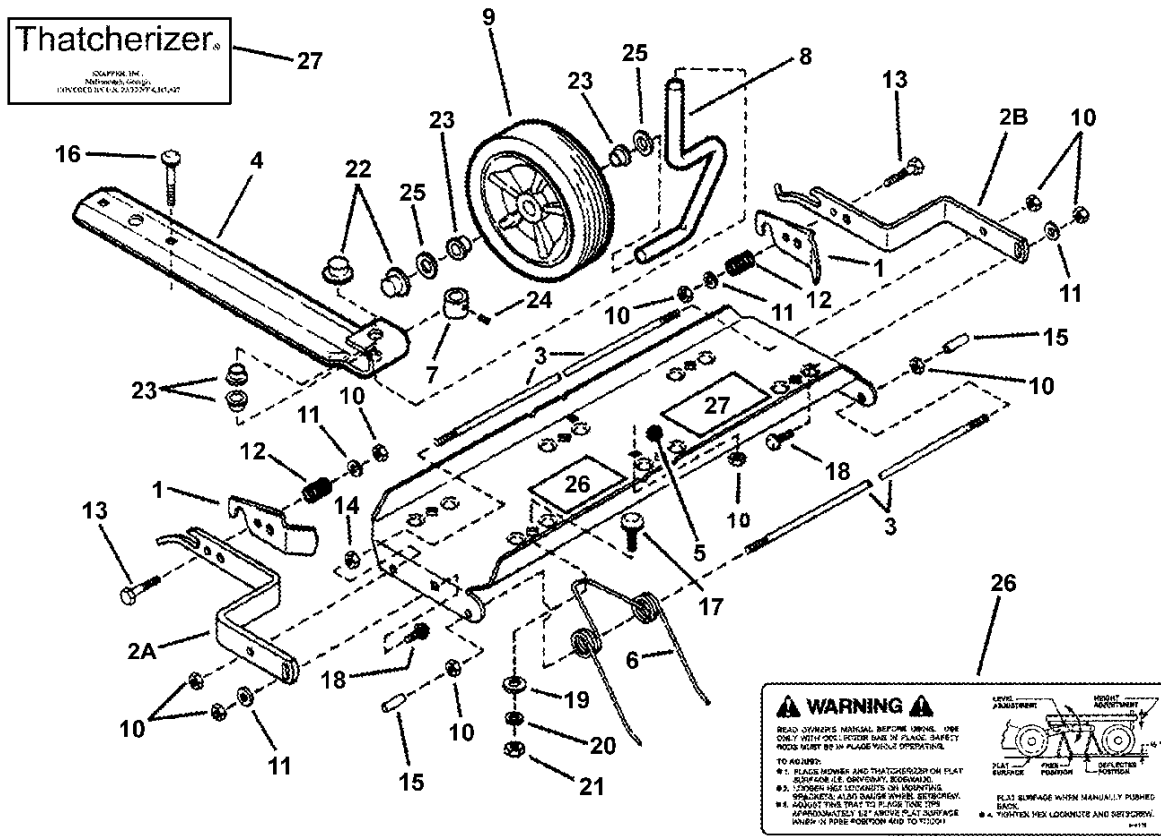
## SNAPPERIZER ACCESSORY

---

| Item | Part No | Qty | Description                                 | Note  |
|------|---------|-----|---|---|
| --   | 7060440 | --  | KIT, Snapperizer (Incl. items 1 & 2 thru 5) | <i>(for Hi-Vac Rolled Under Lip type decks)</i> |
| --   | 7063041 | --  | KIT, Snapperizer (Incl. items 1& 2A thru 5) | <i>(for "FR" type decks)</i>                    |
| 1    | 7051243 | 1   | SCREEN, Fastener Assembly                   |   |
| 2    | 7039579 | 1   | RING, Bottom (21.77" Inside Diameter)       |   |
| 2A   | 7072002 | 1   | RING, Bottom (22.60" Inside Diameter)       |   |
| 3    | 7091297 | 3   | NUT, 5/16-24 Hex, GR 5                      | <i>was 7090223 (only 1 shown)</i>               |
| 4    | 7090187 | 3   | WASHER, 5/16" Split Lock                    | <i>only 1 shown</i>                             |
| 5    | 7012587 | 3   | SPRING                                      | <i>only 1 shown</i>                             |

### Footnotes:

# THATCHERIZER ASSEMBLY



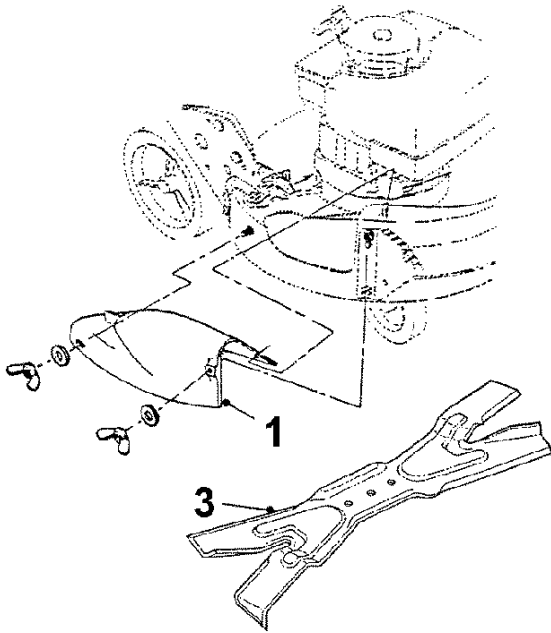
## THATCHERIZER ASSEMBLY

---

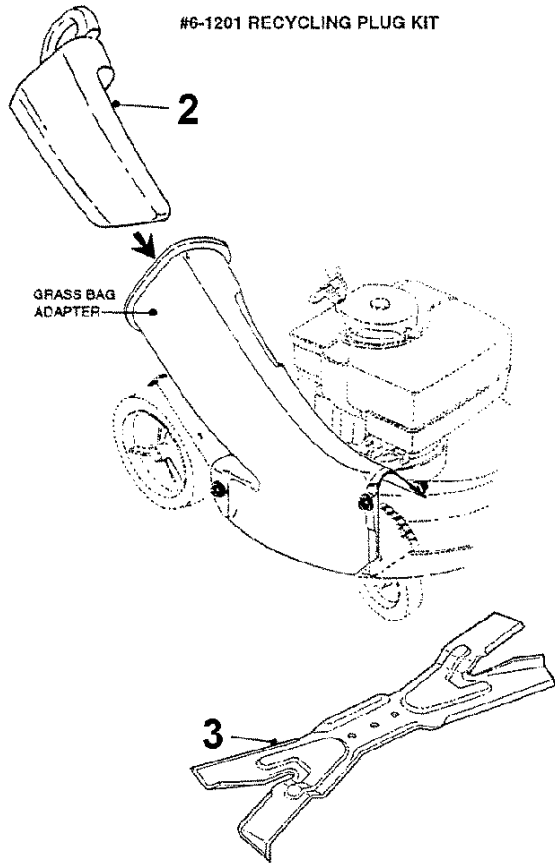
| Item | Part No | Qty | Description                                    | Note                       |
|------|---------|-----|--|----------------------------|
| --   | 7061256 | --  | KIT, Thatcherizer (Incl. items 1 thru 27)      |                            |
| 1    | 7032891 | 2   | LATCH, Frame Attachment                        |                            |
| 2A   | 7026572 | 1   | BAR, Mount (Right Hand)                        |                            |
| 2B   | 7026573 | 1   | BAR, Mount (Left Hand)                         |                            |
| 3    | 7018499 | 2   | ROD, Tine                                      |                            |
| 4    | 7018700 | 1   | SUPPORT, Wheel                                 |                            |
| 5    | 7019948 | 1   | TRAY, Tine                                     |                            |
| 6    | 7018496 | 6   | KIT, Tine Thatching Spring                     | was 7060574                |
| 7    | 7014100 | 1   | BUSHING, Wheel Adjuster                        |                            |
| 8    | 7018493 | 1   | AXLE, Wheel                                    |                            |
| 9    | 7018189 | 1   | WHEEL, 7.00 x 1.50 Gage                        |                            |
| 10   | 7091705 | 10  | NUT, 1/4-20 Hex Top Lock                       | was 7090761 (only 9 shown) |
| 11   | 7091294 | 4   | WASHER, 1/4" Flat                              | was 7090055                |
| 12   | 7022425 | 2   | SPRING, Compression                            |                            |
| 13   | 7090825 | 2   | BOLT, 1/4-20 x 1-1/4" Hex, GR 5                |                            |
| 14   | 7091576 | 2   | NUT, 1/4-20 Hex, GR 5                          | was 7090063                |
| 15   | 7022424 | 2   | CAP, Vinyl                                     |                            |
| 16   | 7090015 | 2   | BOLT, 1/4-20 x 2-1/2" Square Neck Carriage     | only 1 shown               |
| 17   | 7091303 | 6   | BOLT, 5/16-18 x 1" Square Neck Carriage, GR 5  | was 7090383 (only 1 shown) |
| 18   | 7091530 | 2   | BOLT, 1/4-20 x 3/4" Square Neck Carriage, GR 5 | was 7090074                |
| 19   | 7014098 | 6   | WASHER, Reinforcing                            | only 1 shown               |
| 20   | 7090187 | 6   | WASHER, 5/16" Split Lock                       | only 1 shown               |
| 21   | 7091511 | 6   | NUT, 5/16-18 Hex, GR 5                         | was 7090196 (only 1 shown) |
| 22   | 7014101 | 2   | NUT, 1/2" Push                                 |                            |
| 23   | 7014342 | 4   | BEARING, Nyliner                               |                            |
| 24   | 7014103 | 1   | SCREW, 5/16-18 x 1/4" Set                      |                            |
| 25   | 7090250 | 2   | WASHER, 1/2" Flat                              |                            |
| 26   | 7014115 | 1   | DECAL, Adjustment                              |                            |
| 27   | 7014062 | 1   | DECAL, Thatcherizer                            |                            |

### Footnotes:

**#6-1200 RECYCLING COVER KIT**



**#6-1201 RECYCLING PLUG KIT**





## **RECYCLING KITS ACCESSORY**

---

| <b>Item</b> | <b>Part No</b> | <b>Qty</b> | <b>Description</b>                                | <b>Note</b>                        |
|-------------|----------------|------------|---|------------------------------------|
|             | 7061200        | --         | KIT, Recycling Cover (Includes the 2 items below) | <i>for 4HP &amp; above engines</i> |
|             | 7061201        | --         | KIT, Recycling Plug (Incl. items 1 & 2 below)     | <i>for 4HP &amp; above engines</i> |
| 1           | 7029149        | 1          | COVER, 21" Deck                                   |                                    |
| 2           | 7016814        | 1          | PLUG, Chute Adapter                               |                                    |
| 3           | 7026407        | 1          | BLADE, 21" Quad Edge Ninja                        |                                    |

### **Footnotes:**





*Parts Manual for*

# **SNAPPER®**

## **21" STEEL DECK WALK BEHIND MOWERS SERIES 18**

IT IS THE POLICY OF SNAPPER TO IMPROVE ITS PRODUCTS  
WHENEVER IT IS POSSIBLE AND PRACTICAL TO DO SO. WE  
RESERVE THE RIGHT TO MAKE CHANGES OR ADD IMPROVEMENTS  
AT ANY TIME WITHOUT INCURRING ANY OBLIGATION TO MAKE  
SUCH CHANGES ON PRODUCTS MANUFACTURED PREVIOUSLY.

**SNAPPER®** McDonough, GA, 30253 U.S.A.