

Electrolux

Factory Parts Catalog

Product No.	E36DF76GPS1
	30166673P70S1
Series	36" dual fuel
Color	stainless
Market	North America
Wiring Diagram	318271962
Owner's Guide	318203954
Installation Instructions	318201773
Service Data Sheet	318204802

Electrolux

Electrolux Major Appliances
North & Latin America
P.O. BOX 212378
AUGUSTA, GA 30917

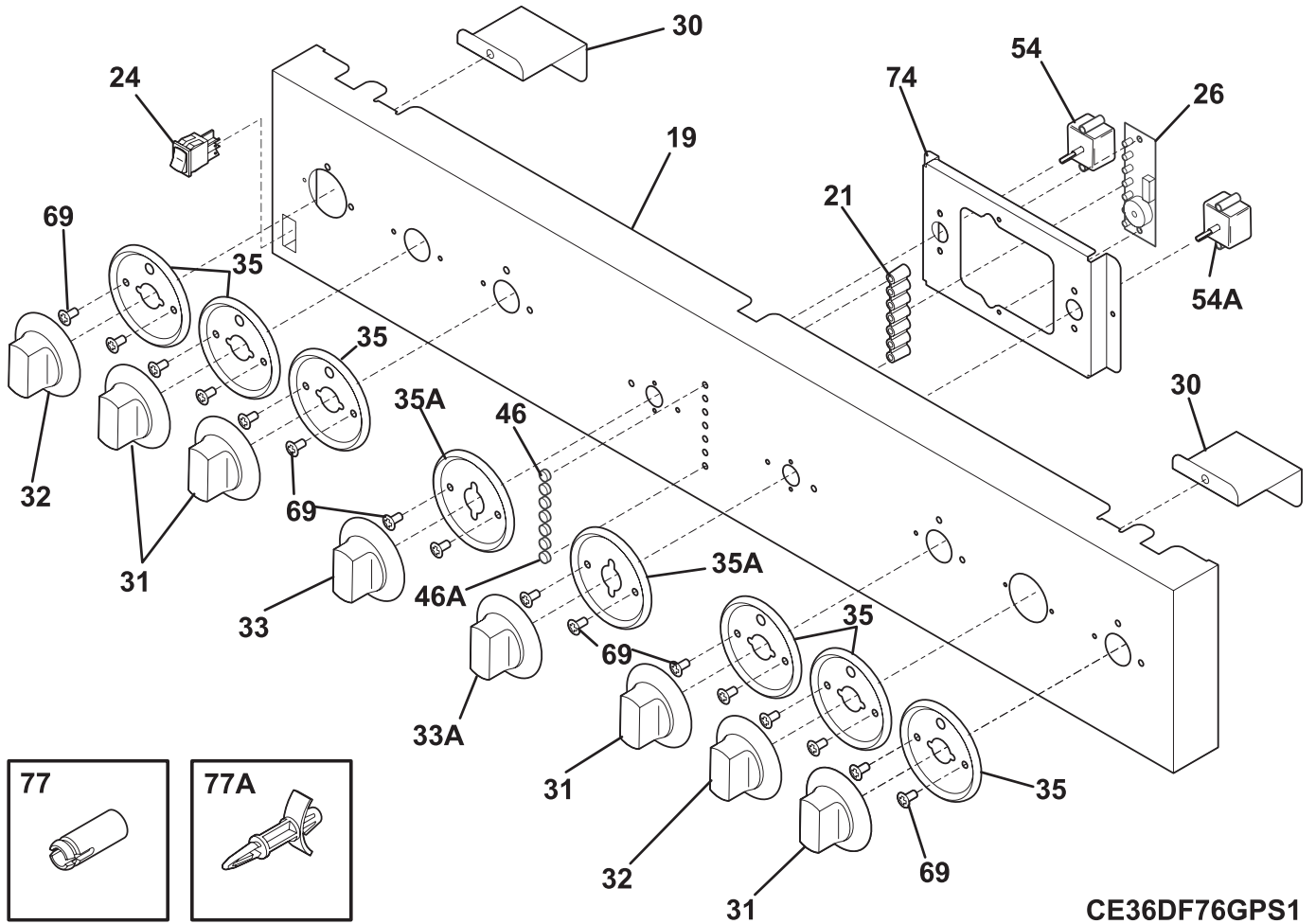
Publication No.
5995499257
07/09/11
(EN/SERVICE/ECL)
377

**36-INCH FREE
STANDING DUAL FUEL
RANGE**

Model No.
E36DF76G

Copyright © 2007 Electrolux Home Products, Inc.
All rights reserved.

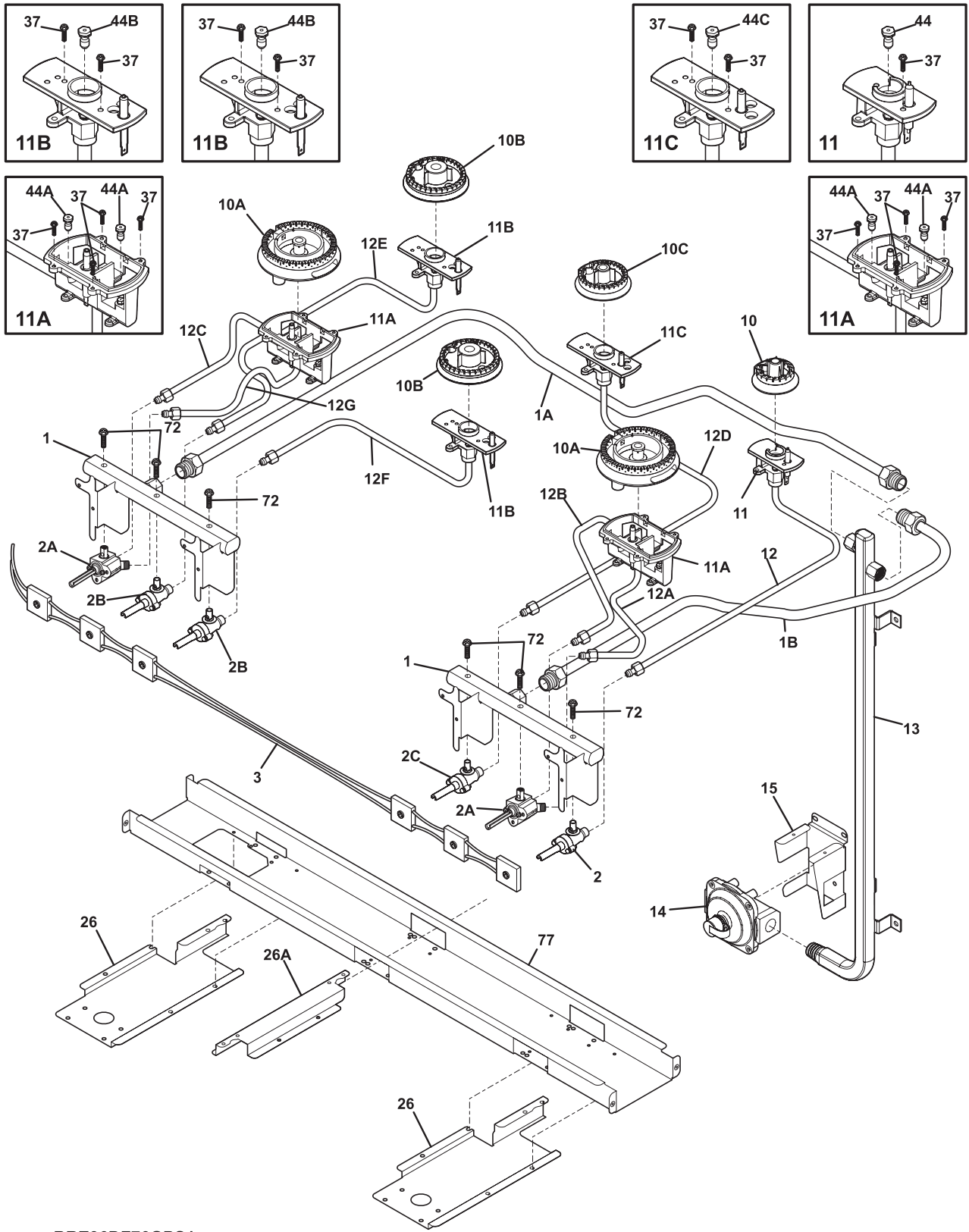
BACKGUARD



BACKGUARD

POS. NO	PART NO.	DESCRIPTION
19	318285732	Panel, control, stainless
21	318389500	Retainer, lens
24 #	5308015487	Switch, oven light, rocker
26 #	5304452799	Board, indicator light, (2), LED
30	318377000	Support, control panel, (2)
31	318242225	Knob, control, (4)
32	318242226	Knob, control, dual, (2)
33	318242230	Knob, selector
33A	318242231	Knob, control, oven
35	318251911	Skirt, (6)
35A	318251912	Skirt, (2)
46	318044501	Lens, indicator light, blue, (5)
46A	318228310	Lens, indicator light, (2)
54 #	5304452797	Control, oven selector
54A#	5304452798	Control, oven temp.
69	5303300265	Screw, 8-18 X 1/2, (2)
74	318383901	Bracket, controls
77	316247900	Spacer, power board, (3)
77A	316114100	Spacer, (4)
* #	318370352	Wiring Harness, timer, to relay board
* #	318370353	Wiring Harness, relay board, to display
*	318163602	Cleaner, stainless steel

BURNER

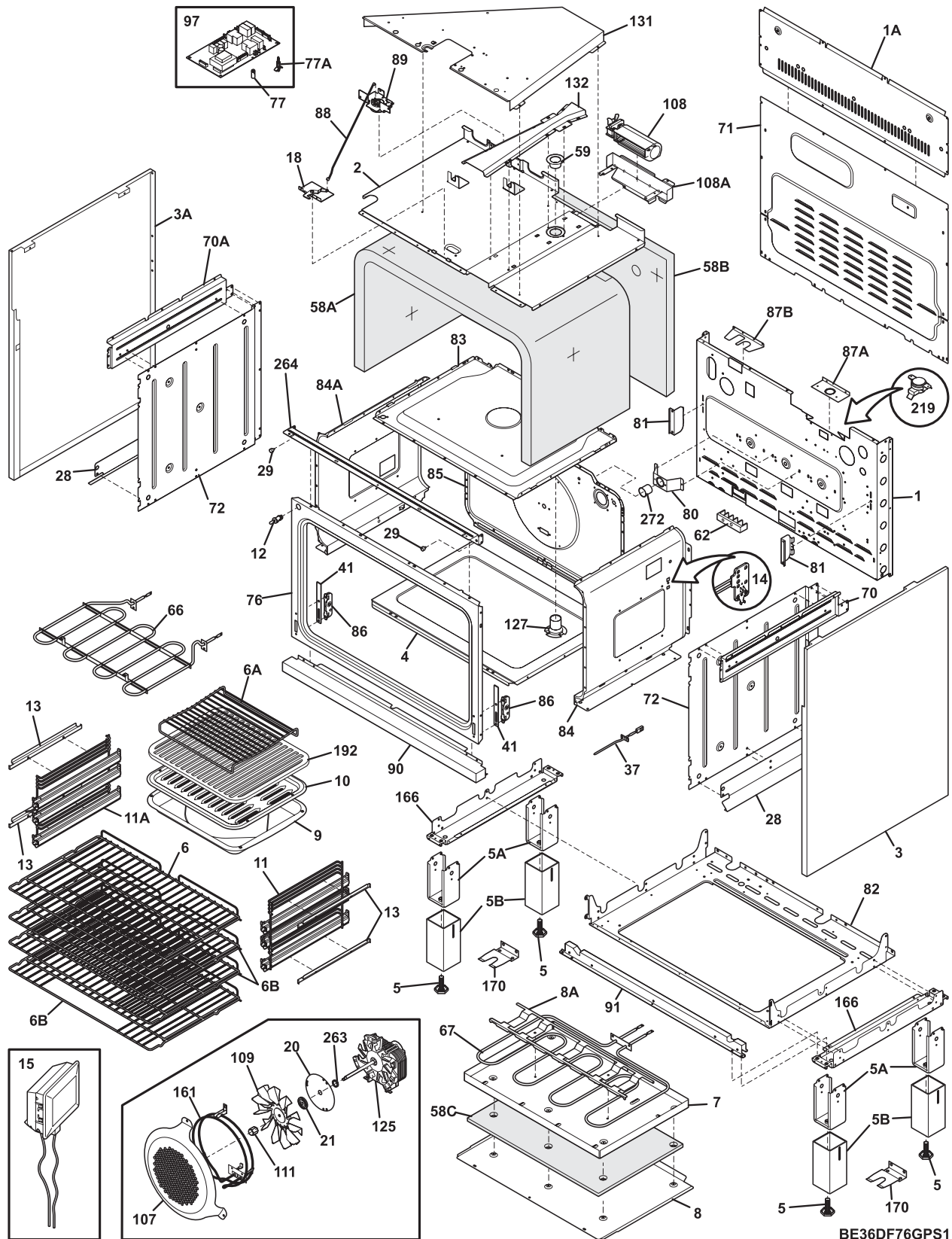


BRE36DF76GPS1

BURNER

POS. NO	PART NO.	DESCRIPTION
1 #	318357805	Manifold, (2)
1A	318305453	Tube, manifold, interconnect
1B	318305454	Tube, manifold, interconnect
2 #	316520700	Valve, burner, 5K
2A #	316412510	Valve, top burner, 18K, dual port
2B #	316520703	Valve, burner, 14K
2C #	316520701	Valve, burner, 9.5K
3 #	318232638	Wiring Harness, w/igntr switch
3*	5303311306	Screw, 8-18 x 0.375, (8)
10 #	316510800	Burner, sealed, 5K
10A#	316525400	Burner, sealed, dual, 18K
10B#	316511200	Burner, sealed, 14K
10C#	316511000	Burner, sealed, 9.5K
11 #	316524800	Ignitor/orifice assy., top burner, 5K, w/holder
11A#	316525100	Ignitor/orifice assy., top burner, 18K, w/holder
11B#	316525000	Ignitor/orifice assy., top burner, 14K, w/holder
11C#	316524900	Ignitor/orifice assy., top burner, 9.5K, w/holder
12 #	318366711	Tube, burner, RH rear, 5K
12A#	318366721	Tube, 18K burner, RH front
12B#	318366720	Tube, 18K burner, RH front
12C#	318366722	Tube, 18K burner, LH front
12D#	318366726	Tube, 9.5K burner, center
12E#	318366724	Tube, 14K burner, LH rear
12F#	318366725	Tube, 14K burner, center front
12G#	318366723	Tube, 18K burner, LH front
13 #	318357811	Manifold, regulator
14 #	318122705	Regulator, pressure
15	318376110	Bracket, regulator
26	318363800	Bracket, channel mtg, (2)
26A	318363900	Bracket, channel mtg.
37	316518100	Screw, ignitor assy mt, 6-32 x .62
44	316523504	Orifice, top burner, 5K
44A	316523508	Orifice, top burner, 18K
44B	316523506	Orifice, top burner, 14K
44C	316523500	Orifice, top burner, 9.5K
72	316215600	Screw, valve mtg., 1/4 - 20
77	318355511	Bracket, channel mtg.
* #	318243102	Harness, burner wiring
*	318186914	LP Conversion Kit
*	5303211311	Screw, 8 x 0.500

BODY

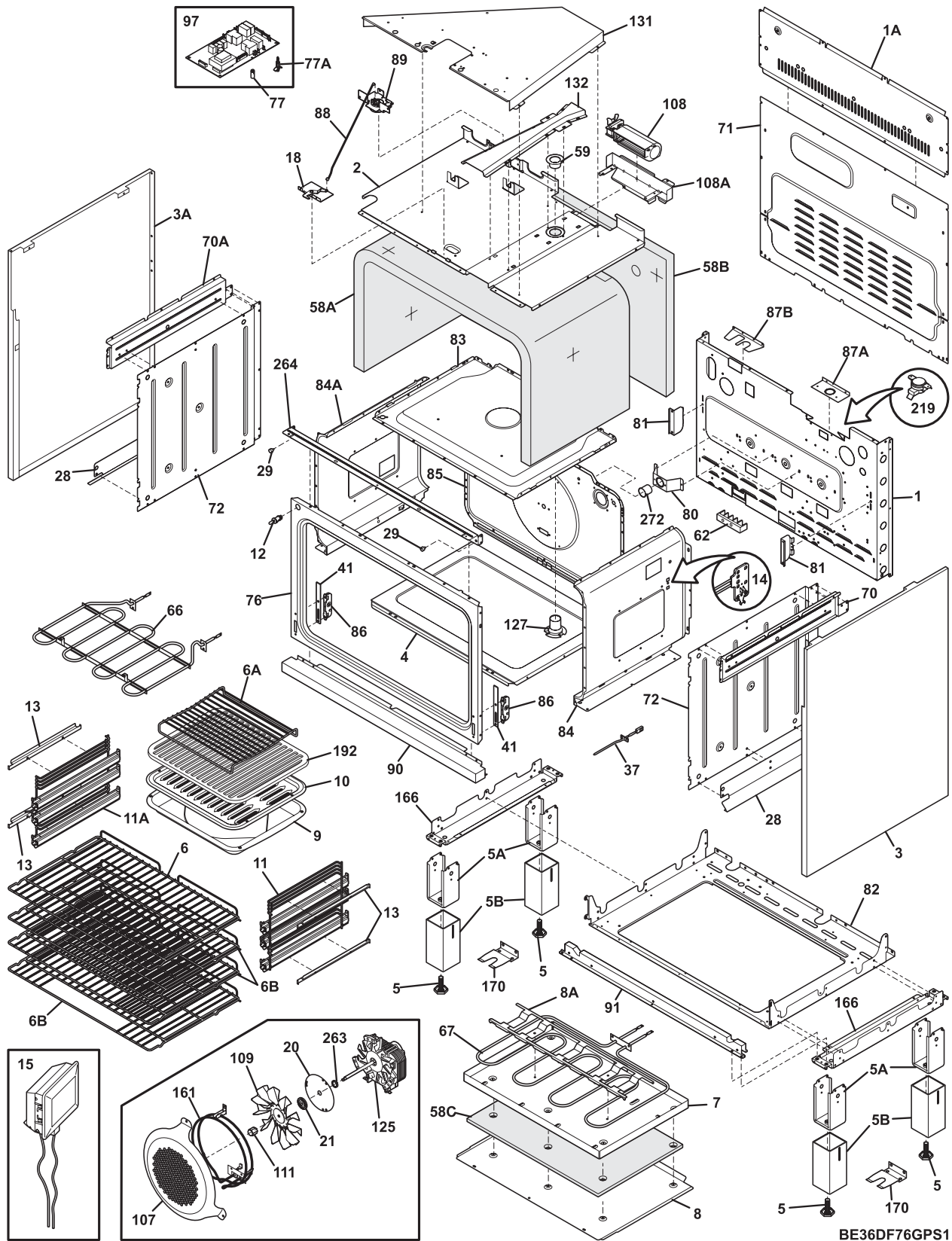


BE36DF76GPS1

BODY

POS. NO	PART NO.	DESCRIPTION
1	318259251	Back, main
1A	318260051	Panel, rear box, upper
2	318258955	Shield, insulation, upper
3	318352750	Panel, side, stainless, LH
3A	318352751	Panel, side, stainless, RH
4	318364102	Liner, oven bottom
5	318175506	Screw, leveling
5A	318368850	Bracket, leveling leg, (4)
5B	318352450	Cover, leveling leg, (4)
6	318240151	Shelf, oven, fixed
6A	318365800	Rack, broiler pan
6B	318240251	Shelf, oven, (3), extendable
7	318297351	Box, bake element
8	318359550	Panel, service
8A	318313605	Bracket, bake element
9	318138801	Pan, broiler
10	318126401	Insert, broiler pan
11	318240054	Glide & Support assy, oven shelves, RH
11A	318240055	Glide & Support assy, oven shelves, LH
12	316445501	Switch, oven light, door frame
13	318603908	Bracket, ladder mtg., (4)
13*	5304463708	Nut, bracket mtg. (12)
13*	318391100	Screw, glide mtg. (2)
14	318903401	Switch, rack sensing
15	318241002	Lamp, oven, (2), halogen
18 #	316405800	Latch Assembly, oven door
20	318389400	Plate, retainer
21	318389000	Seal, ring
28	318369310	Bracket, side panel, (2)
29	318147411	Bumper, (2)
37 #	316217002	Probe, oven temp
41	318366601	Spacer, front frame
58A	318362117	Insulation, top & sides
58B	318362116	Insulation, rear
58C	318294913	Insulation, bake element
59	318072577	Duct, oven vent
62	5303935061	Terminal Block Kit
62*	5303212739	Plate-ground strap
62*	5303323139	Screw, 10-24 x 0.906
62*	5303323144	Nut, 10-32
66 #	318255851	Element, broil, 4000W
67 #	318254905	Element, bake, 3000W
70	318302752	Shield, insulation, right
70A	318302753	Shield, insulation, left
71	318260050	Panel, rear box, lower
72	318259150	Shield, insulation, sides, (2)
76	318364902	Front, oven
77	316247900	Spacer, power board, (3)
77A	316114100	Spacer, (4)
80	318364800	Plate, oven mtg
81	318373700	Bracket, oven, (2)

BODY

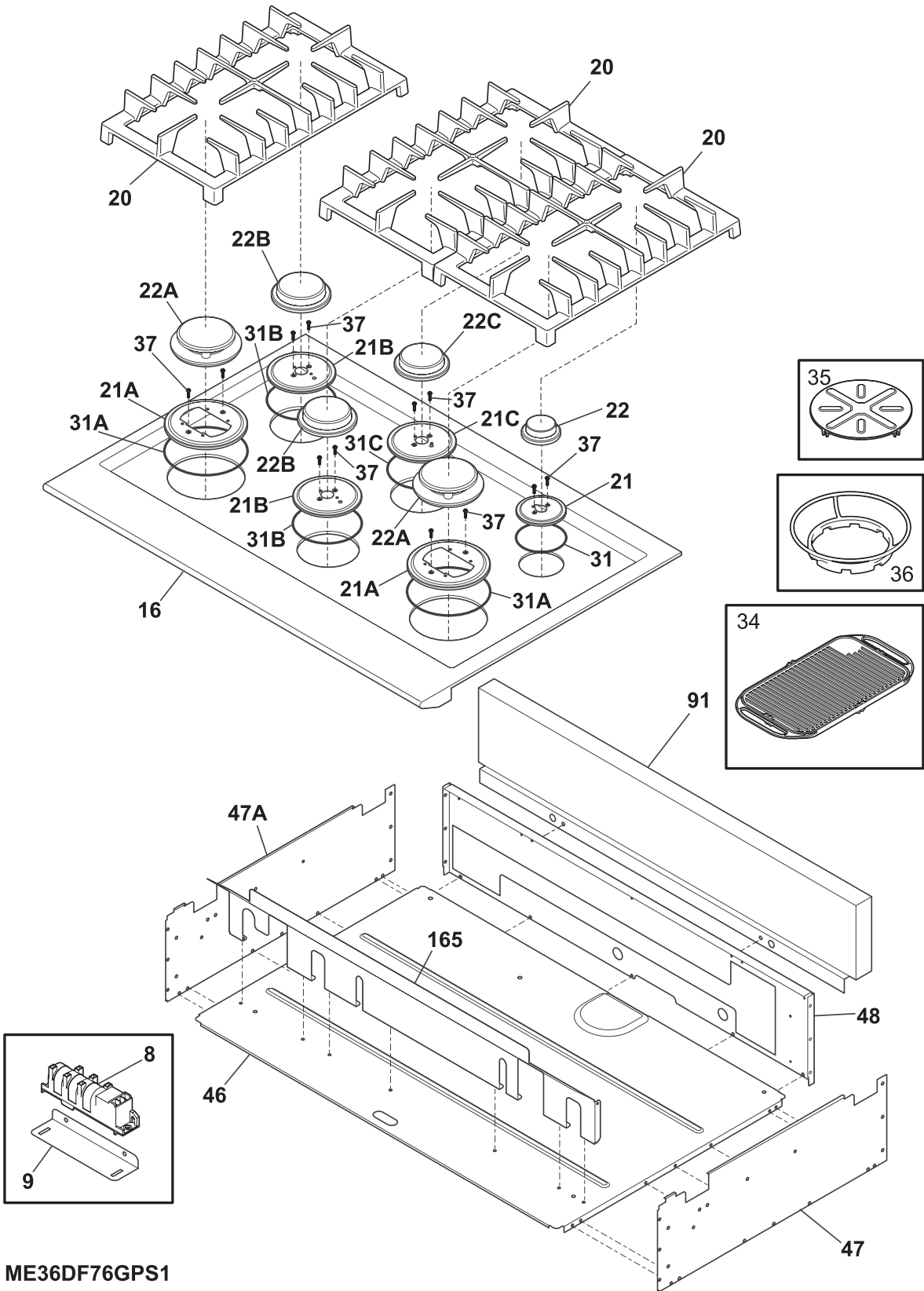


BE36DF76GPS1

BODY

POS. NO	PART NO.	DESCRIPTION
81*	5304449778	Screw, bracket mtg., 8 x 1/2", (2)
82	318258751	Shield, insulation, lower
83	318364202	Liner, oven top
84	318364304	Liner, oven side, RH
84A	318364314	Liner, oven side, LH
85	318364408	Liner, oven back
86	318241406	Receptacle, hinge, (2)
87A	318111806	Plate, cord set mtg
87B	318111812	Plate, cord set mtg
88	318376500	Rod, latch
89 #	316464300	Motor-latch
89*	318370325	Wiring Harness, latch
*	5303311333	Screw, 8-32 x 3/8
90	318355050	Trim, bottom, stainless
90*	5304463705	Screw, btm trim, 8-18 X 1/2, (4)
91	318376301	Bracket, reinforcement
97	316455705	Board, power, relay
107	318906601	Cover, fan
108#	318073018	Motor, blower
*	318165800	Spacer
*	08016432	Screw, truss head, 8-18 x 0.375
108A	318251300	Bracket, fan support
109	316136400	Blade, fan
111	316136600	Nut, fan retainer
125#	316415800	Motor, fan
127	318357002	Adapter, vent tube
131	318272950	Box, vent
132	318347800	Chimney
161#	318255505	Element, convection, 2500 W
166	318352550	Bracket, leveling leg, (2), reinforcement
170	318335703	Anti-tip & accessories
219#	318004902	Switch, thermal
263	316136500	Washer, flat
264	318257753	Trim, oven, black, front
272	318249402	Tube, protector
* #	318370365	Wiring Harness, main
*	318235300	Connector assy., w/3 lugs, & instructions
*	5303211311	Screw, 8 x 0.500
*	5303300265	Screw, 8-18 X 1/2, (2)
*	5303311306	Screw, 8-18 x 0.375, (8)
*	5304415832	Screw, 8-18 x 0.406
*	5304436875	Screw, 8-18 X 1/2, black

TOP

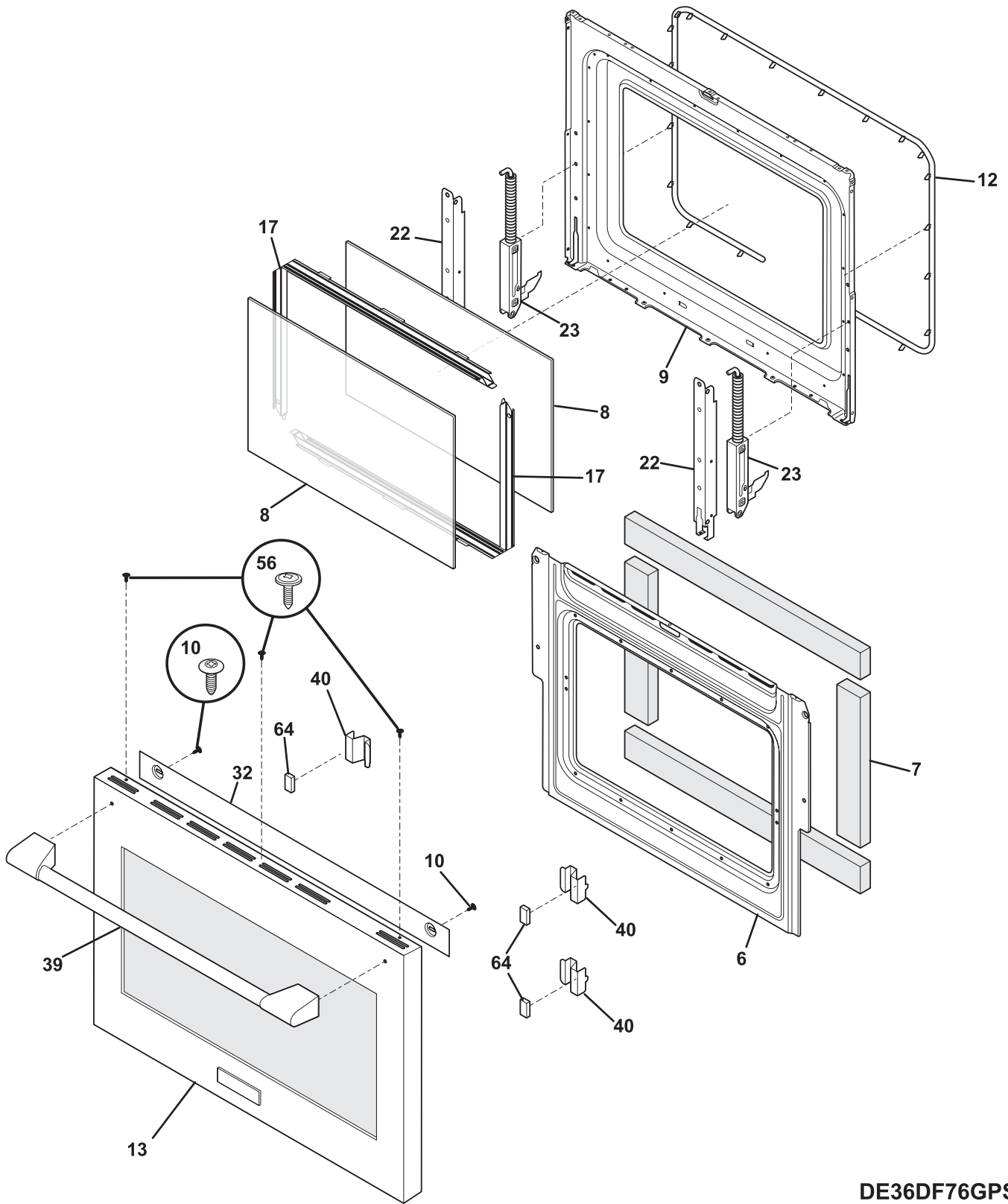


ME36DF76GPS1

TOP

POS. NO	PART NO.	DESCRIPTION
8 #	318079001	Module, spark
9	318387300	Bracket, spark module
16	318185217	Main Top Assy, frame/glass, stainless/black
20	318361402	Grate, top burner, black, (3), double
21	316514800	Skirt, 5K burner, black
21A	316515100	Skirt, 18K burner, black
21B	316515000	Skirt, 14K burner, black, (2)
21C	316514900	Skirt, 9.5K burner, black
22	316510902	Cap, 5K burner, black
22A	316511502	Cap, 18K burner, black, (2)
22B	316511302	Cap, 14K burner, black, (2)
22C	316511102	Cap, 9.5K burner, black
31	316515200	Seal, 5K burner
31A	316515203	Seal, 18K burner, (2)
31B	316515202	Seal, 14K burner, (2)
31C	316515201	Seal, 9.5K burner
34	318251600	Griddle
35	318254200	Simmer Plate
36	318254300	Support, WOK
37	316240600	Screw, assy mtg, ignitor/orifice
46	318242950	Panel, bottom
47	318241706	Panel, side, RH
47A	318241707	Panel, side, LH
48	318241850	Panel, rear
91	318353005	Backplash, stainless
165	318355150	Deflector, heat
*	318163601	Cleaner-cooktop
*	318163602	Cleaner, stainless steel
*	5303211311	Screw, 8 x 0.500

DOOR

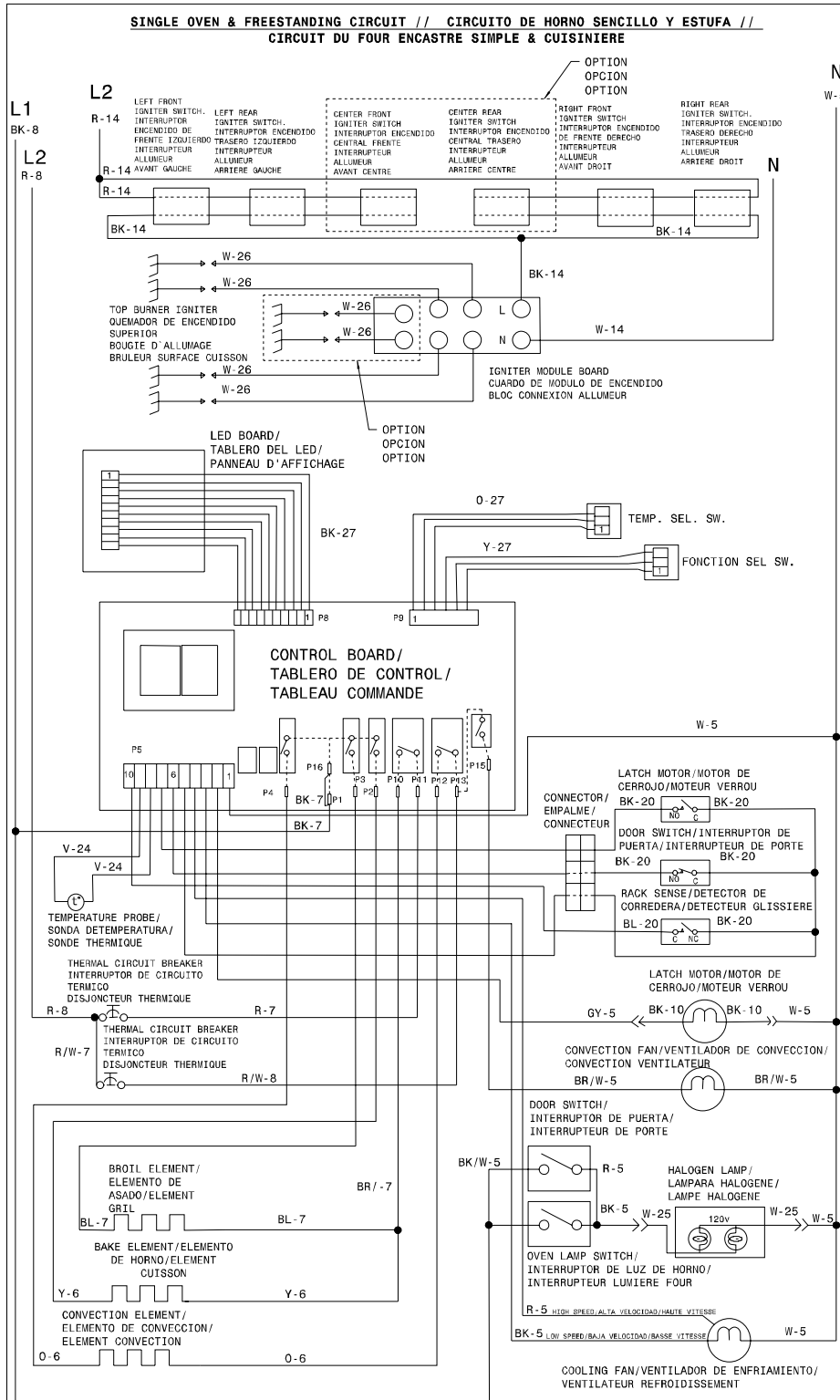


DE36DF76GPS1

DOOR

POS. NO	PART NO.	DESCRIPTION
6	318260550	Baffle, door
7	318372003	Insulation, door
8	318212250	Glass, oven door, heat barrier, (2)
9	318364602	Liner, oven door
10	5304400794	Screw, handle mtg, 10-32 x 3/4
12	318053151	Gasket, oven door seal
13	318344011	Door Assmebly, stainless/glass, w/badge
17	318376401	Spacer, door glass, (2)
22	318353803	Retainer, hinge
23	318244304	Hinge Assy, (2)
32	318390501	Deflector, handle
39	318392400	Handle, door
40	318364700	Bracket, glass, (4)
56	5304436875	Screw, 8-18 X 1/2, black
64	318165800	Spacer
*	316433603	Label, anti-tip
*	318163602	Cleaner, stainless steel
*	5304415832	Screw, 8-18 x 0.406

WIRING DIAGRAM



COLOR CODE/CODIGOS DE COLOR/CODE DE COULEUR
 GY - GRAY/GRIS/GRIS
 G - GREEN/VERDE/VERT
 W - WHITE/BLANCO/BLANC
 R - RED/ROJO/ROUGE
 O - ORANGE/NARANJA/ORANGE
 Y - YELLOW/AMARILLO/JAUNE
 BR - BROWN/CAFE/BRUN
 BL - BLUE/AZUL/BLEU
 BK - BLACK/NEGRO/NOIR
 BR/W - BROWN/WHITE // CAFE/BLANCO // BRUN/BLANC

CODE CODIGO CODE	GAUGE MEDIDA CALIBRE	TEMP. °C	CSA	UL
1	18	125	CL1251	3173
2	16	125	CL1251	3173
3	14	125	CL1251	3173
4	12	125	CL1251	3173
5	18	150	EXL-150	3321
6	16	150	EXL-150	3321
7	14	150	EXL-150	3321
8	12	150	EXL-150	3321
9	10	150	EXL-150	3321
10	18	200	SEW-1	3122
11	16	200	SEW-1	3122
12	12	250		3252
13	16	250		3252
14	20	150	EXL-150	3321
15	8	150	EXL-150	3321
16	8	60		
17	10	60		
18	10	200	SEW-1	3122
19	20	125	CL1251	3173
20	20	200	SEW-1	3122
21	22	125	CL-1252	3266
22	22	150		10109
23	18	200		3573
24	20	450		5107
25	16	450		5335
26	18	200		10202
27	22	150		10109

CAUTION: DISCONNECT POWER BEFORE SERVICING UNIT.
 ATENCION: CORTAR LA CORRIENTE ANTES DE REALIZAR EL MANTENIMIENTO DEL ELECTRODOMESTICO.
 ATTENTION: COUPEZ L'ALIMENTATION AVANT D'EFFECTUER LA REPARATION.

318271962 REV:C