

# LCD PROJECTOR LENS MODEL LNS-S30/S31

## LENS REPLACEMENT PROCEDURE

### NOTES ON LENS REPLACEMENT

Lens replacement should be performed by the qualified service personnel.

It should be followed by this procedure precisely.

Before attempt to replace the lens, confirm the model number (both the LCD projector and the lens) and use the proper lens.

The lens cover is on the lens for protection. Be sure to remove the lens cover before installation.

When installing or removing the lens, be careful not to stain, scratch or damage the lens.

If you have any questions, contact the dealers.

### PARTS LIST

Following parts are contained in the packing.

● LENS		1 piece
● DRIVER (3 mm, Green)		1 piece (Part No. 610 287 7328)
● DRIVER (4 mm, Yellow)		1 piece (Part No. 610 275 6029)
● LIGHT-BLOCK SHEET	For LNS-S30	1 piece Type PA1 (Part No. 610 285 3735)
	For LNS-S31	1 piece Type PE1 (Part No. 610 293 9804)

### Following checks and confirmations should be taken for safety.

Check the following things by the time of the cabinet assembly after the lens replacement.

1. Check the lens is securely fixed.
2. Check the proper wiring and the wires are fixed properly.
3. Check each connector is connected properly.
4. Check no wiring is tangled on the gear of lens motor or the other mechanical parts.
5. Check no parts is missing, or no mounting part is loose.

# LENS REPLACEMENT PROCEDURE

Perform the steps **1** to **6** for lens replacement.

First set the lens at the fully lower position with lens shift adjustment.

## **1** REMOVE THE LENS COVER AND FRONT CABINET

1. Turn the lens cover to counter-clockwise and pull it toward front and remove the Lens Cover.
2. Remove 2 Screws-A.
3. Remove the front cabinet

See Figure-1-1 and 2.

1. Remove 2 Screws-A.
2. Remove the front cabinet

See Figure-1-2 and 2.

1. Pull Lens Cover toward front and remove it.
2. Remove 2 Screws-A.
3. Remove the front cabinet

See Figure-1-3 and 2.

## **2** REMOVE THE LIGHT-BLOCK SHEET BASE AND LIGHT-BLOCK SHEET (See Figure-2)

1. Slide the light-block sheet base upward and remove it.
2. Remove the light-block sheet from lens.

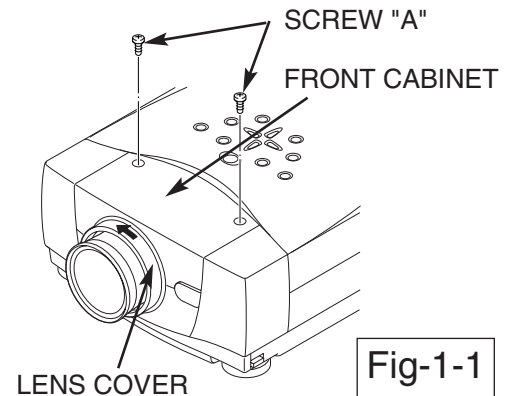


Fig-1-1

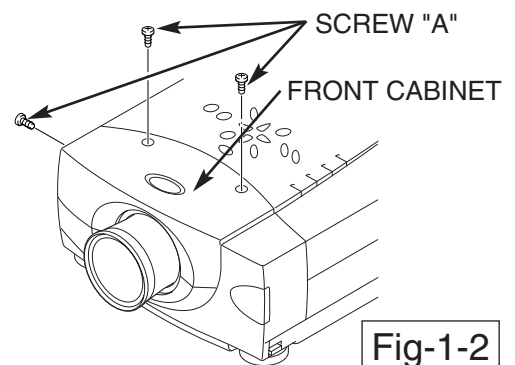


Fig-1-2

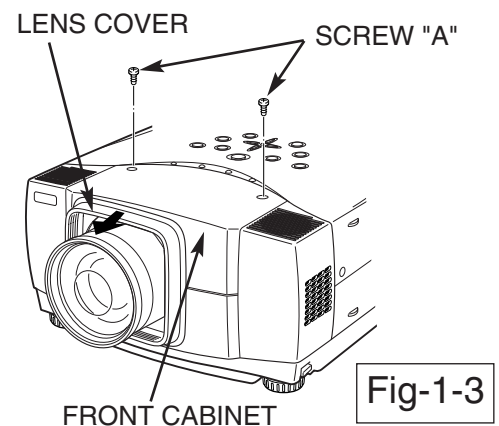


Fig-1-3

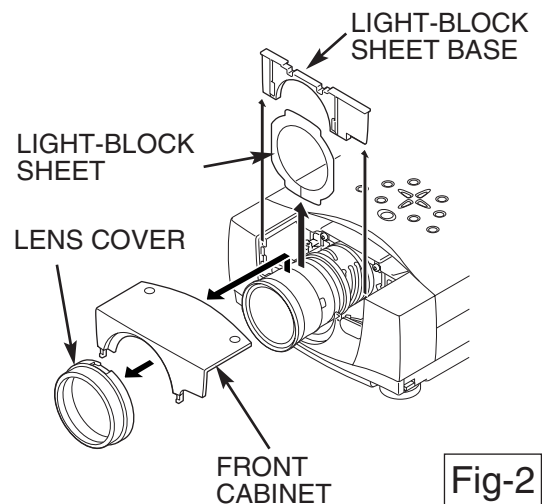


Fig-2

### 3 REMOVE THE LENS (See Figure-3 and 4)

1. Remove the lens motor connector from terminal.
2. Loosen the screws-B (2 screws) which fastens the lens. (Use the driver included with the lens to loosen the screws.)
3. Slide the lens lock latches to "UNLOCK" position and remove the lens.

Be careful not to drop the lens when removing the screws. After using, save the driver for latter use.

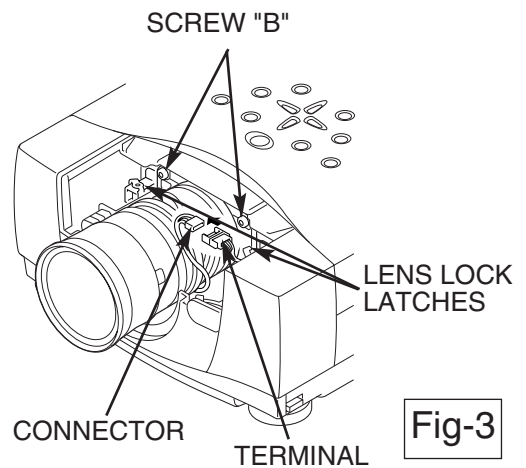


Fig-3

### LENS LOCK LATCHES

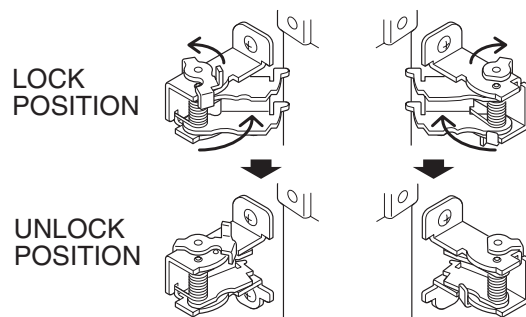


Fig-4

### 4 MOUNT THE LENS (See Figure-5)

1. Remove protective caps (front and back) on the lens.
2. Mount the lens on lens mounting bracket with Upper 2 screws. (locate motor on left side). Use the driver included with the lens to fasten the screws.
3. Slide the lens lock latches to "LOCK" position and lock the lens. (See Figure-4)
4. Connect the lens motor connector to terminal. (See Figure-3)

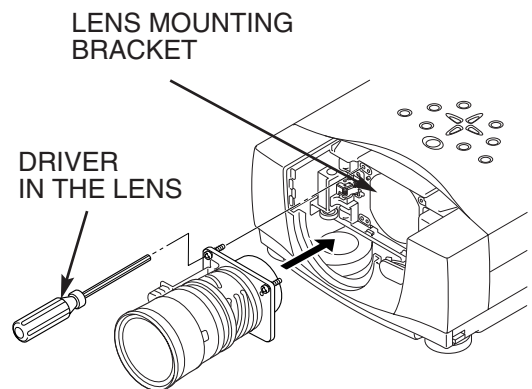


Fig-5

**5** MOUNT THE LIGHT-BLOCK SHEET AND LIGHT-BLOCK SHEET BASE  
(See Figure-6-1 and 6-2)

1. Mount the light-block sheet on the lens as shown in the Figure-6-1 and 6-2. (In the same position as the removed sheet has been placed). Use the sheet included with the lens. Make sure the part no. and mark (TOP and BACK) on Light-Block Sheet and set them properly.
2. Mount the light-block sheet base.

FOR LNS-S30

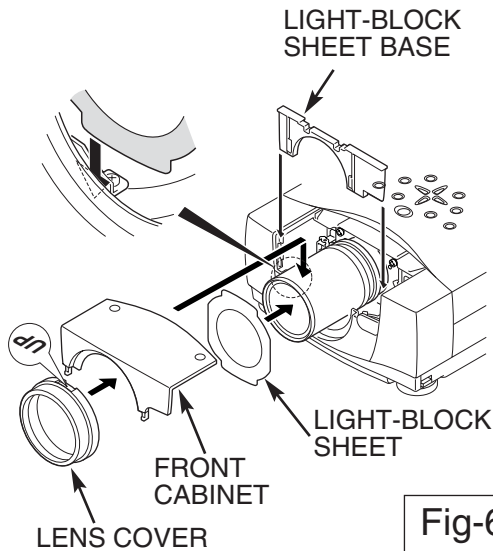


Fig-6-1

FOR LNS-S31

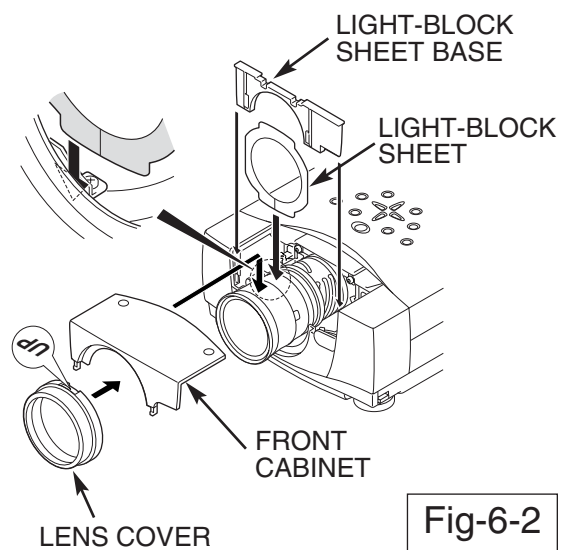


Fig-6-2

**6** MOUNT THE FRONT CABINET AND LENS COVER  
(See Figure-6-1, 6-2 and 7)

1. Mount the front cabinet with 2 screws.
2. Mount the lens cover.

For the cabinet Fig. 1-1, position the marked UP of Lens Cover on top and push in to the front cabinet and turn the Lens Cover fully clockwise until it is properly locked.

For the cabinet Fig. 1-3, push the Lens Cover onto the cabinet

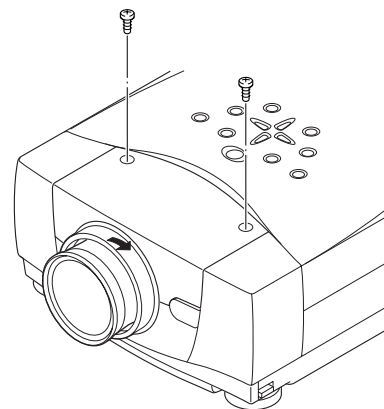


Fig-7