

QUICK SETUP

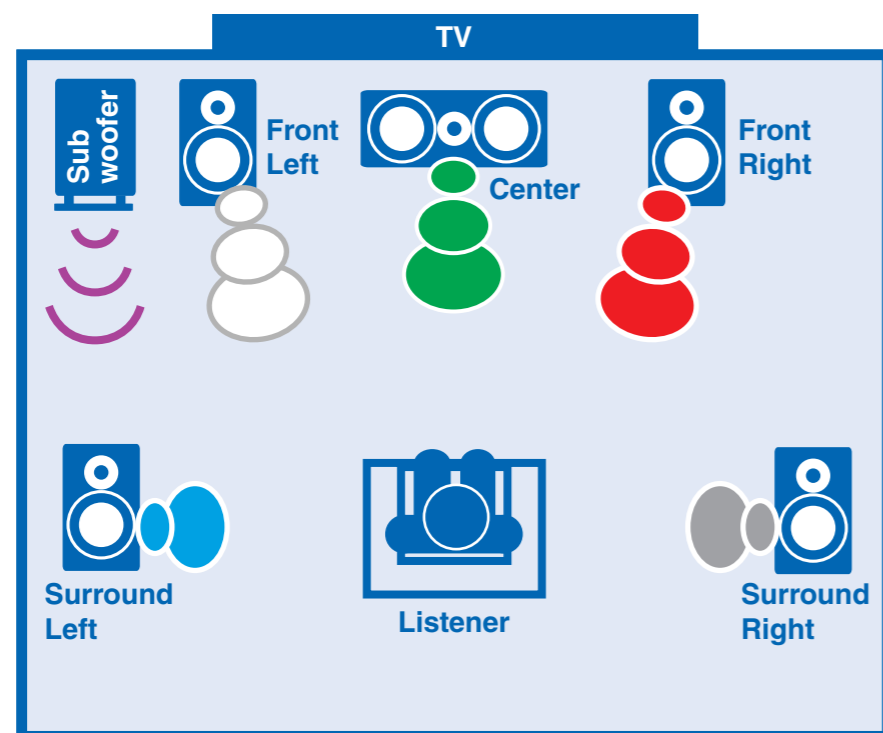
Model : HT-R508



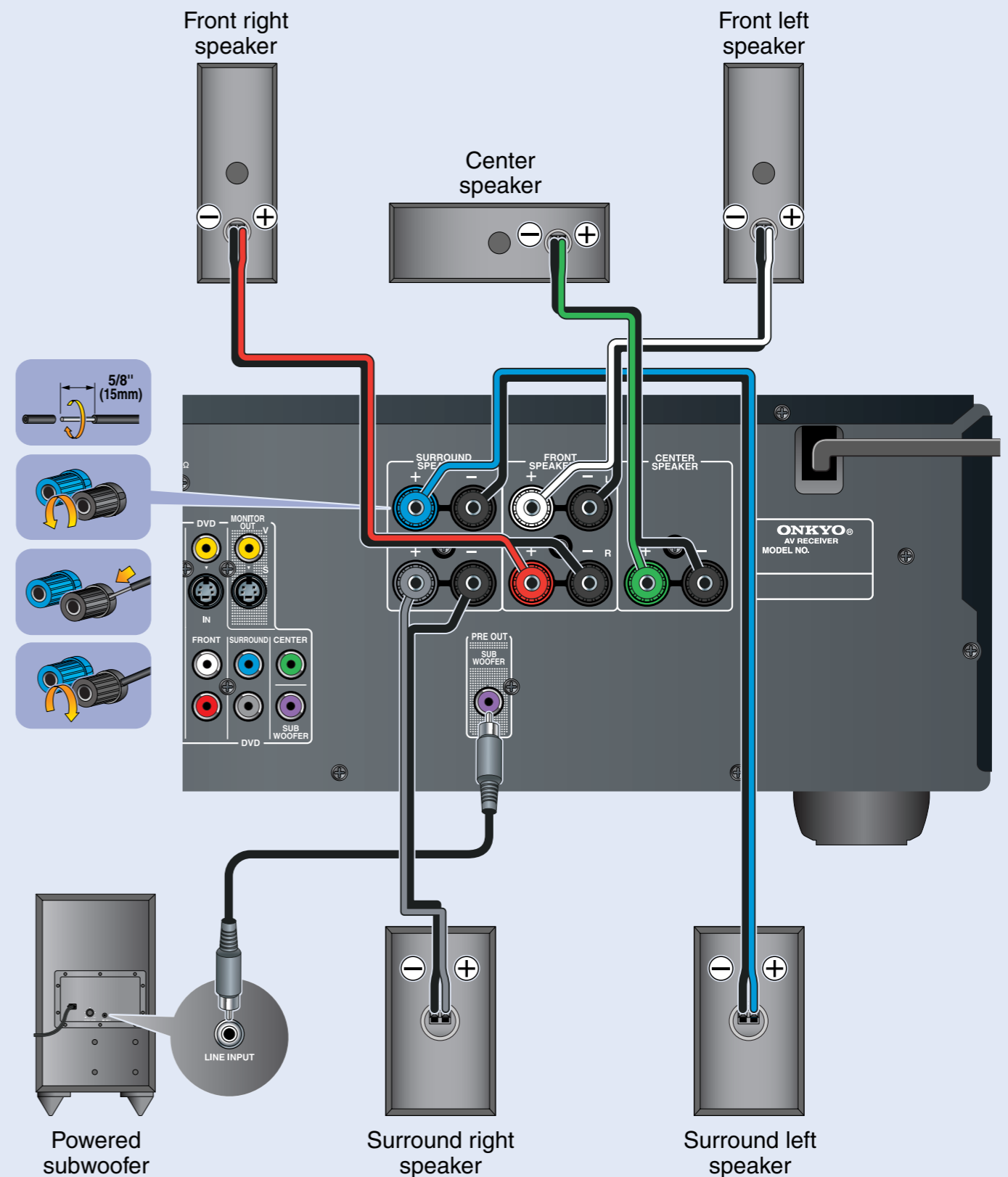
Thank you for purchasing this product.
This quick setup sheet shows the typical hookup method for connecting speakers and AV components (DVD player, TV, cable/satellite receiver).
For more detailed hookup information and operating instructions, please see the Instruction Manual.

Speaker Layout

Position the speakers as shown below.



Speaker Hookup



See the other side of this sheet for the AV component hookup.



(C) Copyright 2007 ONKYO CORPORATION Japan. All rights reserved.

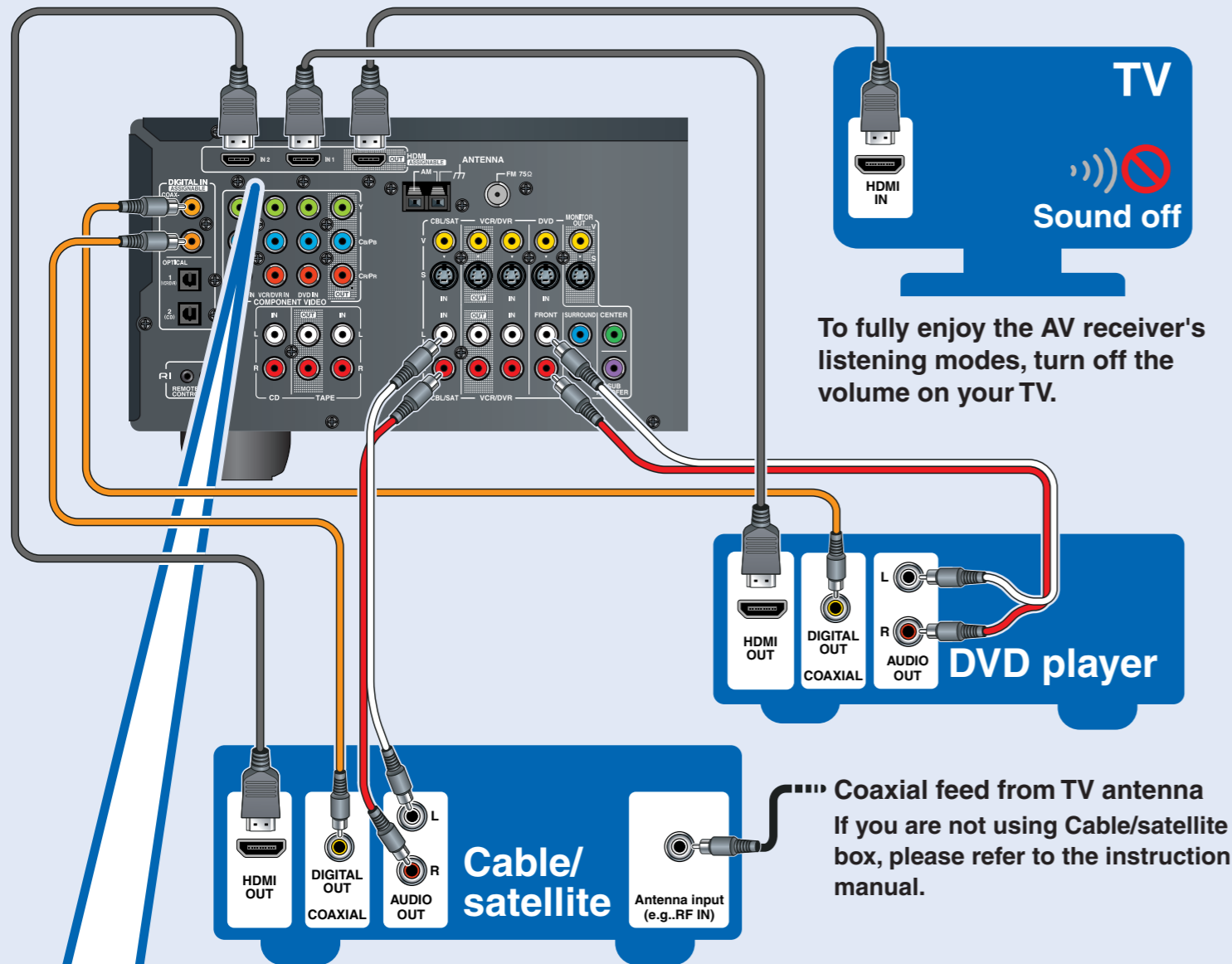
SN 29344428

AV Component Hookup

See the other side of this sheet for the Speaker hookup. 



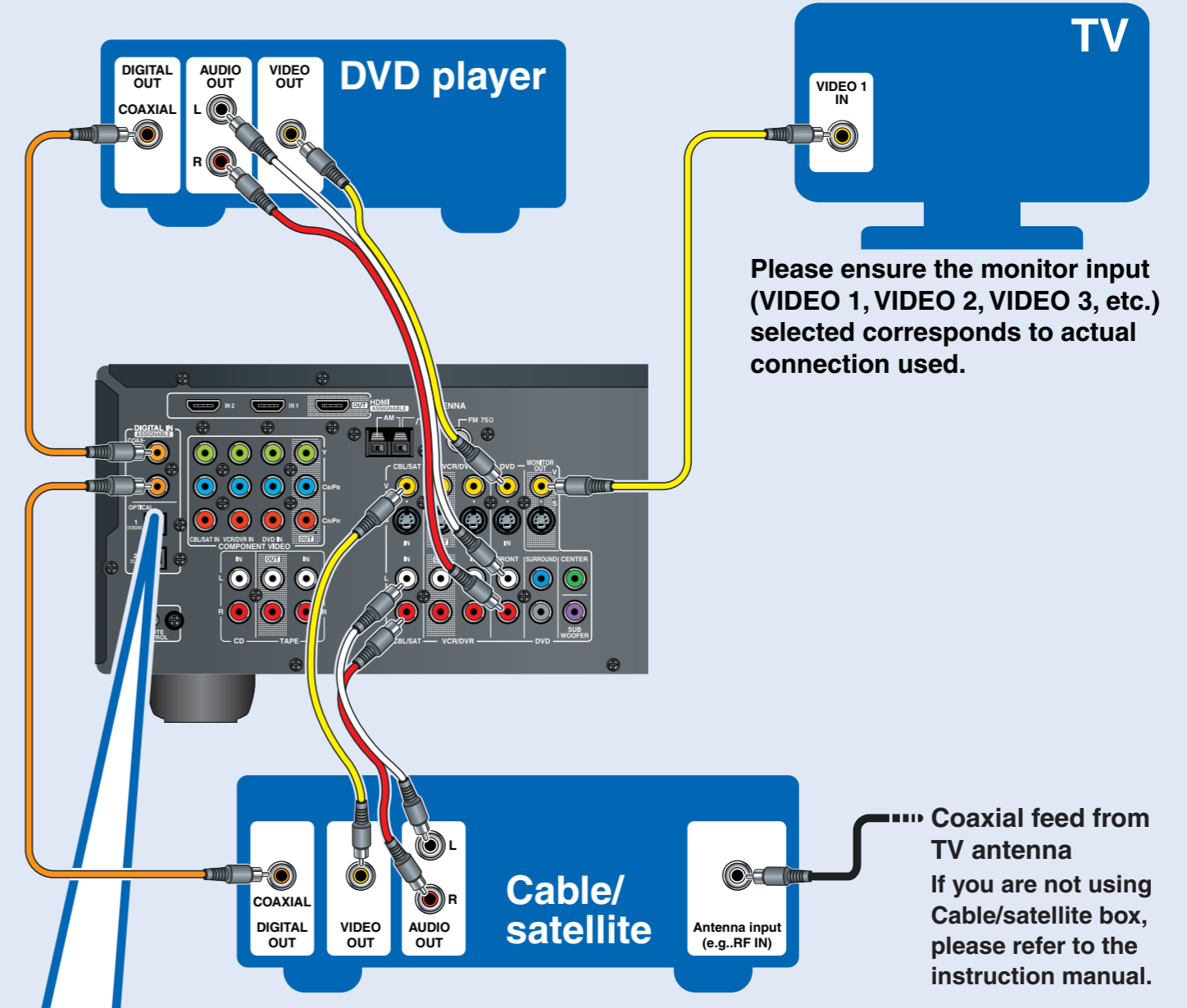
If you have an HDMI-compatible TV and players, you can connect them to the AV receiver with HDMI cables. The audio and video signals received via the HDMI inputs are output by the HDMI OUT as they are (pass-through). To listen through the speakers connected to the AV receiver, please make the audio connections shown below.



IF NO HDMI



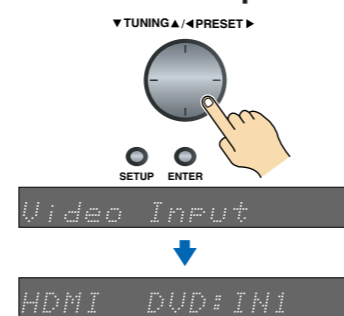
If your TV or player doesn't support HDMI, use the analog or digital connections shown below.



Assigning the HDMI Input

If you connect a video component to an HDMI input, you must assign that HDMI Input to an input selector in Setup. If you make the same connections as shown here, you must assign the "HDMI DVD" setting to "IN1", and assign the "HDMI CBL" setting to "IN2".

On the front panel



Assigning the Digital Input

If there's no sound, press the [DIGITAL INPUT] button repeatedly until sound is heard. The digital input is now properly assigned. If you connect your DVD player to the AV receiver's COAXIAL 1 DIGITAL IN, and your cable/satellite receiver to the COAXIAL 2 DIGITAL IN, as shown, it's not necessary to assign the digital input.

On the front panel

