

# SEARS

## PARTS MANUAL

### MODEL NO. 919.150330

**Important:**  
Before using this  
equipment, read all  
Safety Precautions  
and both manuals.  
Retain for future use.



## CRAFTSMAN COMPACT AIR COMPRESSOR

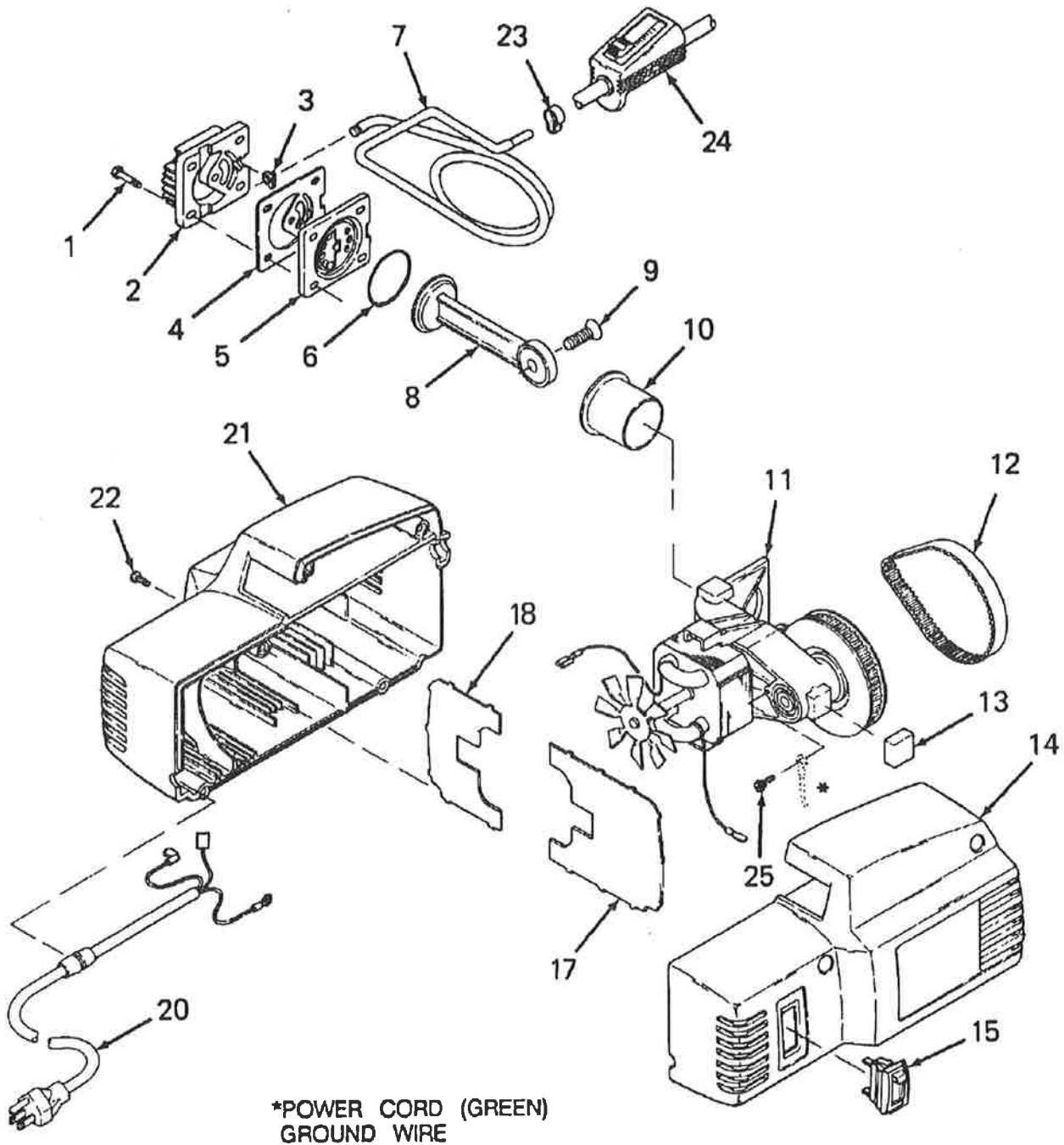
### SPECIFICATION CHART

Model No.	919.150330
Horsepower	1 1/2
SCFM @ 40 psig	4.5
SCFM @ 90 psig	3.2
Displacement CFM	6.8
Bore	1 7/8"
Stroke	1 1/4"
Voltage-Single Phase	110-120
Minimum Branch Circuit Requirement	15 AMPS
Fuse Type	"Fusetron" Type T
Amperage at Max. Pressure	14.2

Sears, Roebuck and Co., Chicago, IL 60684 U.S.A.

M-150330 1/9/91

# AIR COMPRESSOR DIAGRAM



# PARTS LIST

KEY NO.	PART NUMBER	DESCRIPTION
X 1	SSF-995	Screw #10-24 x 7/8 LG. hex head thd forming (4 used)
2	CAC-1196	Cylinder Head
* 3	CAC-1212	Tube Seal
* 4	CAC-1199	Head Gasket
5	CAC-4323	Valve Plate Assembly
* 6	SSG-8169	"O" Ring
7	CAC-1273	Outlet Tube
> 8	CAC-4069	Rod Assembly
X 9	SSF-3147	Screw 3/8-16 x 1.25 LG. hex socket flat head
> 10	CAC-1258	Cylinder Sleeve
11	CAC-4068	Endbell Assembly
12	CAC-1207	Timing Belt
* 13	CAC-1213	Pump Isoaltor
14	CAC-1191-1	Shroud (right)
15	SSS-16	Switch
* 16	CAC-1211	Housing Isolator
+ 17	CAC-1202	Motor Baffle (right)
+ 18	CAC-1203	Motor Baffle (left)
20	CAC-4073	Cord Assembly
21	CAC-1190-1	Shroud (left)
X 22	SSF-997	Screw #10-9 x 1/2 LG. Phillips head thd forming (4 used)
23	CAC-1206	Clamp
24	CAC-4324	Pressure Valve Assembly
X 25	SSF-993	Screw, Ground #8-32 x 3/8 LG. slotted hex head thd forming

- \* KK-4930 Isolator Kit includes items 3, 4, 6, 13, 16
- X KK-4929 Fastener Kit includes items 1, 9, 22, 25
- + KK-4980 Baffle Kit includes items 17, 18
- > KK-4926 Connecting Rod Kit includes items 8, 10
- KK-4971 Label Kit (4 labels)

# **SEARS**

## **PARTS MANUAL**

**SERVICE**

**MODEL NO.**

**HOW TO ORDER  
REPAIR PARTS**

**FULL ONE YEAR  
WARRANTY  
AIR COMPRESSORS**

## **CRAFTSMAN COMPACT AIR COMPRESSOR**

Now that you have purchased your Sears Air Compressor, should a need ever exist for repair parts or service, simply contact any Sears Service Center and most Sears, Roebuck and Co. stores. Be sure to provide all pertinent facts when you call or visit.

The model number of your Sears Compressor can be found on the label which is located on the rear of the shroud.

WHEN ORDERING REPAIR PARTS, ALWAYS GIVE THE FOLLOWING INFORMATION:

- PART NUMBER
- PART DESCRIPTION
- MODEL NUMBER
- NAME OF ITEM

If service or repair parts are required for the motor, supply all motor nameplate information including manufacturer's name.

All parts listed may be ordered from any Sears Service Center and most Sears stores.

If the parts you need are not stocked locally, your order will be electronically transmitted to a Sears Repair Parts Distribution Center for handling.

If this air compressor fails due to a defect in material or workmanship within one year from the date of purchase, RETURN IT TO THE NEAREST SEARS SERVICE CENTER/DEPARTMENT THROUGHOUT THE UNITED STATES AND SEARS WILL REPAIR IT, FREE OF CHARGE.

If this air compressor is used for commercial or rental purposes, the warranty will apply for ninety days from the date of purchase.

This warranty gives you specific legal rights and you may have other rights which vary from state to state.