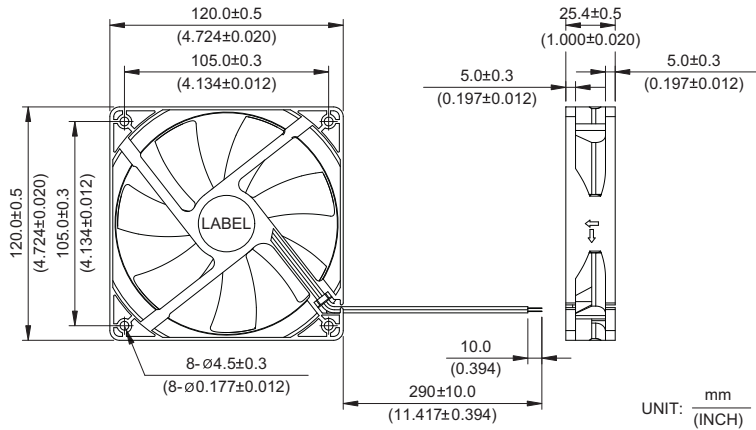


New



NFB 120 x 120 x 25.4 MM SERIES

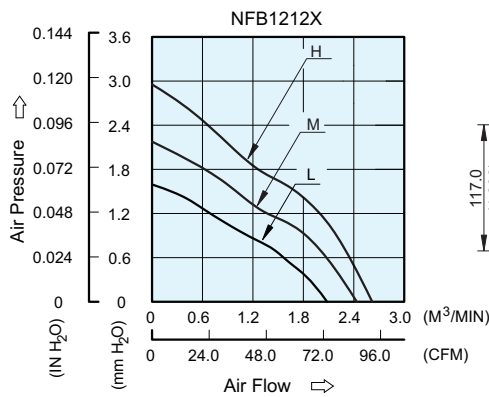
■ DIMENSIONS DRAWING



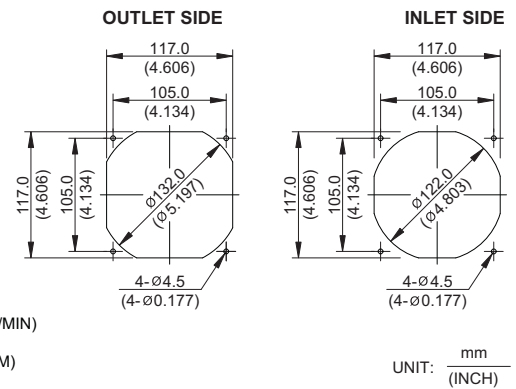
UNIT: mm
(INCH)

- * Bearing Type
Ball Bearings
- * Material
Impeller & Frame : Plastic (UL 94V-0)
- * Lead Wires :
UL 1430 AWG #26 OR Equivalent
Red Wire Positive (+)
Black Wire Negative (-)
- * Weight : 141g (4.97 oz)

■ P & Q CURVE (AT RATED VOLTAGE)



■ MOUNTING PANEL CUTOUT



UNIT: mm
(INCH)

MODEL		Rated Voltage	Operating Voltage Range	Input Current	Input Power	Speed	Maximum Air Flow		Maximum Air Pressure		Noise
PART NO.	FUNCTION	VDC	VDC	Amp	Watt	R.P.M.	m ³ /min	CFM	mmH ₂ O	IN H ₂ O	dB-A
NFB1212L	-R00 / -F00	12	5.0 to 13.8	0.18	2.16	1400	2.038	72.80	1.59	0.062	30.0
NFB1212M	-R00 / -F00	12	5.0 to 13.8	0.26	3.12	1700	2.436	86.01	2.18	0.086	34.0
NFB1212H	-R00 / -F00	12	5.0 to 13.8	0.34	4.08	2000	2.619	92.48	2.95	0.116	38.5

* Function type is optional.
 * The max. air flow and the speed are measured in free air ; max. air pressure is measured at zero air flow.
 * Noise is measured in anechoic chamber in free air, one meter from intake side.
 * All readings are typical values at rated voltage.
 * Specifications are subject to change without notice.