



Service Manual / Manuel de Service

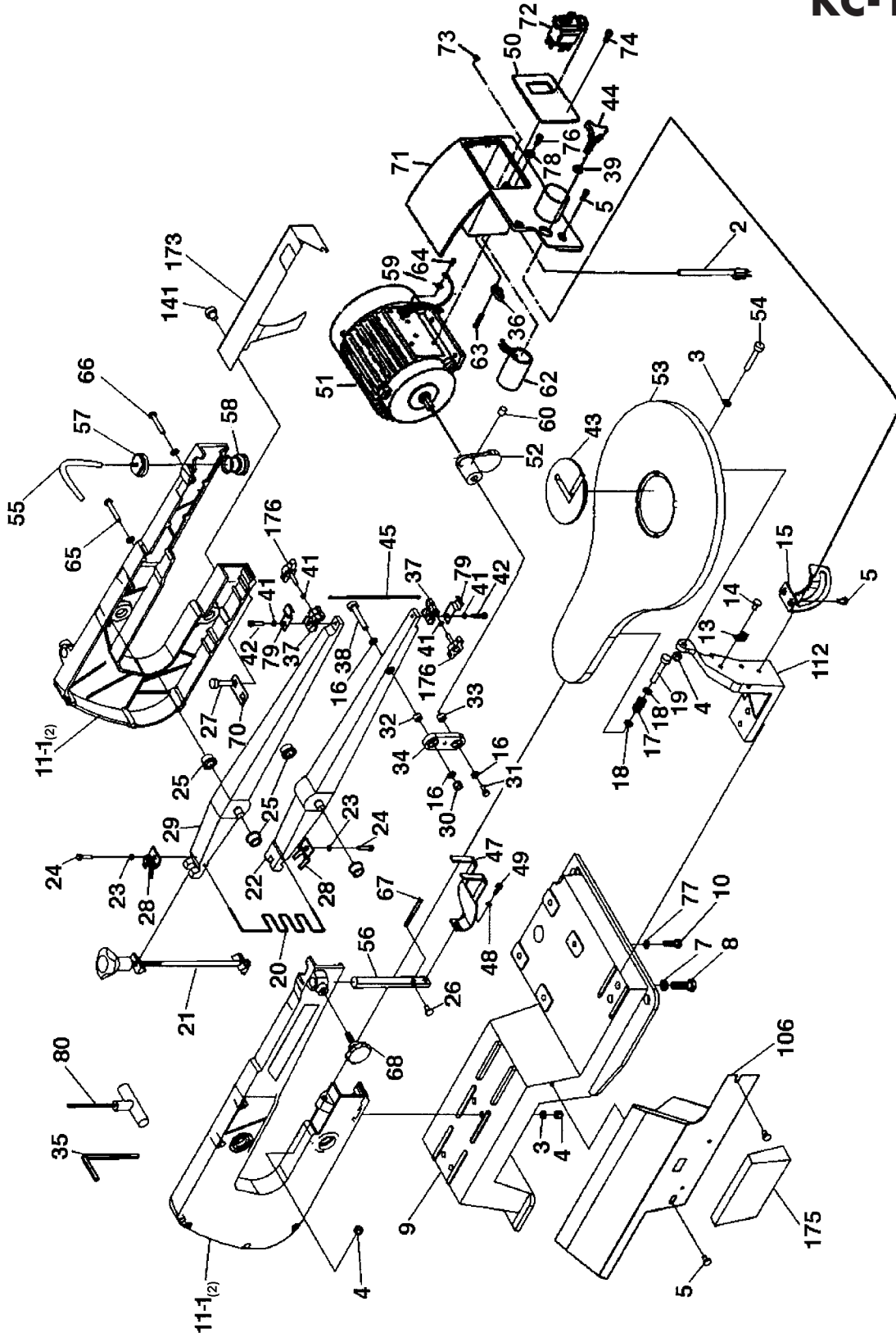
16" Scroll Saw - One Speed

Scie à Chantourner 16" à 1 Vitesse



Revised/Revisé 08/2008

KC-161SSC





Parts Pricing List / Liste de Prix des Pièces

KC-161SSC

Diag.	Order # Com.	English Description	Description Française	Qty./Qté.	Price/Prix
2	4001610020	POWER CORD	CORDON D'ALIMENTATION	1	\$17.19
3	4001610030	SPRING WASHER	RONDELLE A RESSORT	2	\$1.55
4	4001610040	HEX. NUT	ECROU HEXAGONAL	6	\$1.61
5	4001610050	PAN HD SCREW	VIS A TETE BOMBEE	6	\$1.55
7	4001610070	SPRING WASHER	RONDELLE A RESSORT	2	\$1.67
8	4001610080	HEX. BOLT	BOULON HEXAGONAL	2	\$1.84
9	4001610090	BASE	SOCLE	1	\$45.83
10	4001610100	HEX. BOLT	BOULON HEXAGONAL	4	\$1.78
11-1	4001610111	RIGHT/LEFT HOUSING ASS'Y	BOITIER DROIT/GAUCHE ASSEMBLE	1	\$45.71
13	4001610130	INDICATOR	INDICATEUR	1	\$2.70
14	4001610140	PAN HD SCREW	VIS A TETE BOMBEE	1	\$1.55
15	4001610150	TILT BRACKET	SUPPORT D'INCLINAISON	1	\$8.80
16	4001610160	SPRING WASHER	RONDELLE A RESSORT	13	\$1.55
17	4001610170	COMPRESSION SPRING	RESSORT A COMPRESSION	1	\$3.28
18	4001610180	WASHER	RONDELLE	2	\$1.55
19	4001610190	CAP SCREW	BOULON A TETE CYLINDRIQUE	1	\$2.93
20	4001610200	SPRING	RESSORT	1	\$4.31
21	4001610210	TENSION BOLT & KNOB ASS'Y	BOUTON ET TIGE DE TENSION ASS.	1	\$10.18
22	4001610220	LOWER ROCKER ARM ASS'Y	BRAS OSCILLANT DU BAS ASSEMBLE	1	\$29.61
23	4001610230	SPRING WASHER	RONDELLE A RESSORT	4	\$1.55
24	4001610240	CAP SCREW	BOULON A TETE CYLINDRIQUE	2	\$1.90
25	4001610250	SHOULDER BUSHING	BAGUE A EPAULEMENT	4	\$4.08
26	4001610260	PAN HD. SCREW	VIS A TETE BOMBEE	1	\$1.67
27	4001610270	CARRIAGE BOLT	BOULON A CARROSSERIE	4	\$1.90
28	4001610280	RETAINER PLATE	PLAQUE DE RETENUE	2	\$3.39
29	4001610290	UPPER ROCKER ARM ASS'Y	BRAS OSCILLANT DU HAUT ASS.	1	\$29.61
30	4001610300	HEX. NUT	ECROU HEXAGONAL	1	\$1.55
31	4001610310	CAP SCREW	BOULON A TETE CYLINDRIQUE	1	\$2.24
32	4001610320	SPACER BUSHING	BAGUE D'ESPACEMENT	1	\$3.39
33	4001610330	SPACER BUSHING	BAGUE D'ESPACEMENT	1	\$3.39
34	4001610340	LINK W/BALL BEARINGS/FENCE ASS'Y	UNION A/ROULEMENT ET GUIDE ASS.	1	\$21.79
35	4001610350	ALLEN KEY (4MM)	CLE HEXAGONALE (4MM)	1	\$2.70
36	4001610360	STRAIN RELIEF	ATTACHE CORDON	1	\$2.70
37	4001610370	BLADE HOLDER	SUPPORT DE RETENU POUR LAME	2	\$5.00
38	4001610380	CAP SCREW	BOULON A TETE CYLINDRIQUE	1	\$2.24
39	4001610390	WASHER	RONDELLE	1	\$1.55
41	4001610410	SPRING WASHER	RONDELLE A RESSORT	4	\$1.55
42	4001610420	CAP SCREW	BOULON A TETE CYLINDRIQUE	4	\$2.01
43	4001610430	TABLE INSERT	INSERTION DE TABLE	1	\$5.00
44	4001610440	LOCK KNOB	BOUTON DE VERROUILLAGE	1	\$4.89
45	KBB-SS	BLADE	LAME	1	-
47	4001610470	WOOD SUPPORT BRACKET	SUPPORT/RETENU DES PIECES DE BOIS	1	\$5.46
48	4001610480	TOOTH WASHER	RONDELLE DENTELEE	1	\$1.67
49	4001610490	PAN HD. SCREW	VIS A TETE BOMBEE	1	\$1.55
50	4001610500	SWITCH COVER	PLAQUE D'INTERRUPTEUR	1	\$3.85
51	4001610510	MOTOR	MOTEUR	1	\$68.89
52	4001610520	ECCENTRIC CAM	CAME EXCENTRIQUE	1	\$16.85

Pricing subject to change without prior notice. / Prix sujet à changement sans préavis.



Parts Pricing List / Liste de Prix des Pièces

KC-161SSC

Diag.	Order # Com.	English Description	Description Française	Qty./Qté.	Price/Prix
53	4001610530	TABLE	TABLE	1	\$38.70
54	4001610540	HEX. BOLT	BOULON HEXAGONAL	1	\$2.76
55	4001610550	PVC HOSE	TUYAU EN PVC TRANSPARENT	1	\$3.16
56	4001610560	SUPPORT ROD	TIGE DE SUPPORT	1	\$4.43
57	4001610570	BELLOWS LOCK	RETENEUR DE LA SOUFFLERIE	1	\$3.16
58	4001610580	BELLOWS	SOUFFLERIE	1	\$3.85
59	4001610590	TOOTH WASHER	RONDELLE ETOILEE	1	\$1.67
60	4001610600	SET SCREW	VIS SANS TETE	1	\$1.90
62	4001610620	RUNNING CAPACITOR	CONDENSATEUR DE DEMARRAGE	1	\$18.34
63	4001610630	PAN HD. SCREW	VIS A TETE BOMBEE	1	\$1.78
64	4001610640	PAN HD. SCREW	VIS A TETE BOMBEE	1	\$1.67
65	4001610650	PAN HD. SCREW	VIS A TETE BOMBEE	5	\$1.78
66	4001610660	PAN HD. SCREW	VIS A TETE BOMBEE	3	\$2.01
67	4001610670	BLOWER TUBE	TUYAU DE SOUFFLERIE	1	\$2.82
68	4001610680	LOCK KNOB	BOUTON DE VERROUILLAGE	1	\$3.85
70	4001610700	SET PLATE	PLAQUE DE FIXATION	2	\$3.05
71	4001610710	SWITCH HOUSING	BOITIER DE L'INTERRUPTEUR	1	\$18.23
72	4001610720	POWER SWITCH (2 PRONG)	INTERRUPTEUR (2 PATTES)	1	\$9.03
73	4001610730	HEX. NUT	ECROU HEXAGONAL	1	\$1.55
74	4001610740	PAN HD SCREW	VIS A TETE BOMBEE	1	\$1.67
76	4001610760	PAN HD SCREW	VIS A TETE BOMBEE	4	\$1.67
77	4001610770	SPRING WASHER	RONDELLE A RESSORT	4	\$1.55
78	4001610780	WASHER	RONDELLE	4	\$1.55
79	4001610790	HOLDER PLATE	PLAQUE DE RETENU	2	\$3.85
80	4001610800	T WRENCH	CLE HEXAGONAL EN T	1	\$6.84
106	4001611060	PLATE COVER	PLAQUE	1	\$13.63
112	4001611120	TABLE SUPPORT	SUPPORT DE TABLE	1	\$15.70
141	4001611410	ROUND HD SCREW	VIS A TETE RONDE	1	\$1.67
173	4001611730	REAR PLATE COVER	PLAQUE ARRIERE	1	\$10.06
175	4001611750	BLADE STORAGE	BOITE DE RANGEMENT POUR LAMES	1	\$5.69
176	4001611760	BLADE LOCK KNOB	BOUTON DE VERROUILLAGE	2	\$3.28
555-5	4001615555	TOOL & BLADE BAG	SAC A OUTILS ET LAME	1	\$11.44
	400161MBIL	BILINGUAL MANUAL KC-161SSC	MANUEL BILINGUE KC-161SSC	1	\$15.00