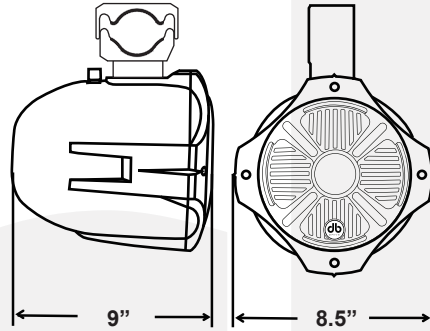


APT6.0PRO-W (White), APT6.0PRO-B (Black)

Specifications

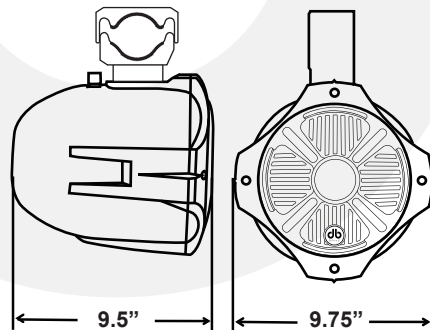
Nominal Impedance	4 Ohms
RMS Power	250 Watts
Peak Power	500 Watts
Sensitivity (1w/1m)	91 dB
Frequency Range	50 - 20kHz
Fs	65Hz
Re (D.C.)	3.4 ohms



APT8.0PRO-W (White), APT8.0PRO-B (Black)

Specifications

Nominal Impedance	4 Ohms
RMS Power	300 Watts
Peak Power	600 Watts
Sensitivity (1w/1m)	92 dB
Frequency Range	45 - 20kHz
Fs	44Hz
Re (D.C.)	3.4 ohms

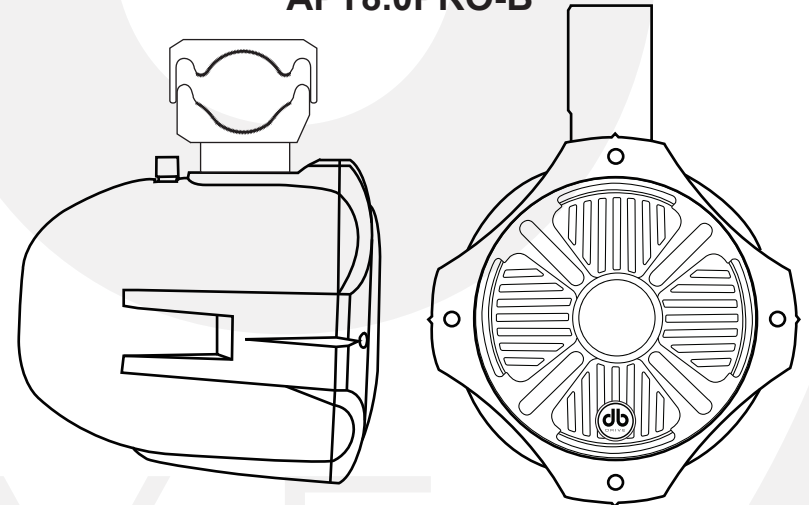


AMPHIBIOUS

PROAUDIO MARINE TOWER SPEAKERS

MODEL #s

APT6.0PRO-W, APT6.0PRO-B, APT8.0PRO-W,
APT8.0PRO-B



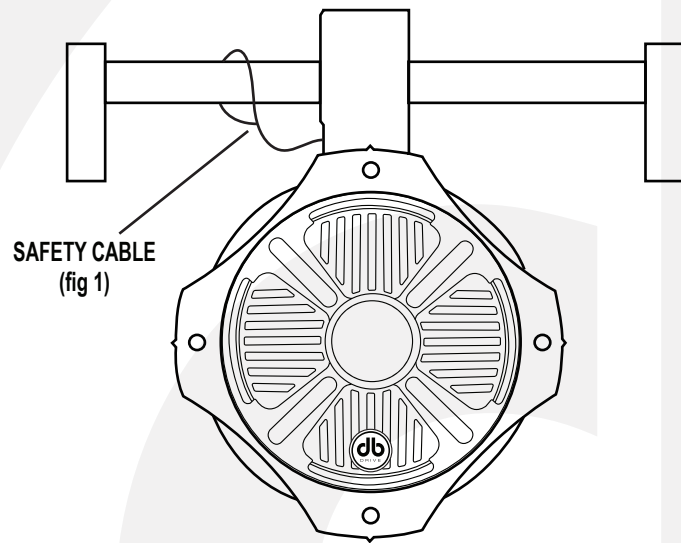
Installation Instructions / Owner's Manual



DB Research L.L.P.

302 Hanmore Industrial Parkway // Harlingen, TX 78550
ph: 877.787.0101 // fx: 956.421.4513 // www.dbdrive.net

WAKEBOARD TOWER MOUNTING



MOUNTING THE BRACKET

- (1) Remove the bracket bolts from the top bracket from the tubbie.
- (2) Hold the bottom bracket up to the mounting surface. Place the top bracket over the wakeboard tower surface and install the mounting bolts.
- (3) Tighten the bracket bolts as needed to secure the tubbie bracket on the wakeboard tower.
- (4) Once the tubbie has been positioned and secured at the needed position, install the back-up safety cable around the wakeboard tower. (Fig 1)

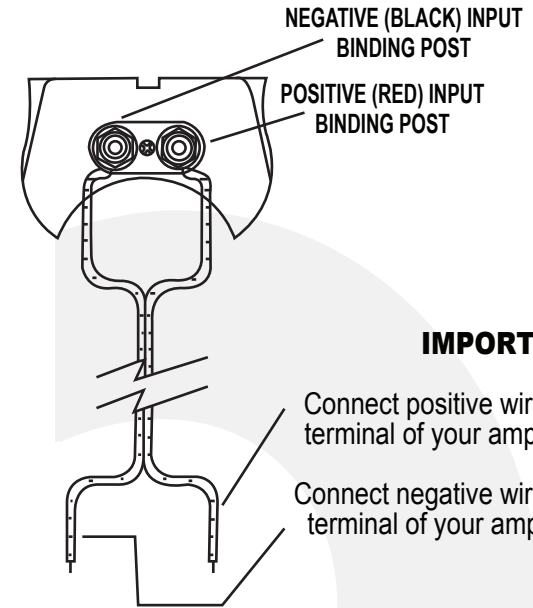
Note: Use the supplied hardware to secure the bracket to the mounting surface.

DB Research L.L.P. highly recommends that a certified installation technician does the installation of tubbie enclosure. If you choose to perform the installation yourself, it is absolutely necessary that the tubbie be properly mounted in a well thought out manner.

Failure to mount the tubbie properly could present two issues:

- 1) The tubbies reliability and performance will suffer due to the movement of the tubbie caused by vibration on the craft.
- 2) A improperly mounted enclosure presents a serious safety hazard especially in rough conditions where loose mounting bolts could cause the mount to fail.

CONNECTING YOUR SPEAKER



IMPORTANT:

Connect positive wire to the positive terminal of your amplifier or receiver.

Connect negative wire to the negative terminal of your amplifier or receiver

LIMITED WARRANTY

What Is Not Covered

This warranty does not cover fading or discoloration caused by exposure to sunlight or cleaning with any cleaning chemicals or materials that contain abrasive substances. This warranty is void if DB Research L.L.P. deems that the product was abused or misused. Abuse causing thermal (burnt voice coil) and/or mechanical failure, improper installation, negligence, normal wear and tear, excessive or direct exposure to water. The warranty is non transferable and only applies to the original sale. DB Research L.L.P. is not responsible for any possible damages to a person or consumer's boat from a product failure. The warranty is void if DB Research L.L.P. deems this product was installed or used improperly.

* Additional warranty information is included on the warranty sheet