

## WARRANTY

Crosley Radio Products are warranted against defects in material and workmanship for a period of 90 days beginning from the date of sale to the original purchaser.

Should the unit fail under normal usage during the 90 day warranty period, a request for RETURN AUTHORIZATION (R.A.) must be made by the original customer before returning the unit. Call Crosley Radio customer service for Return Authorization at (502) 583-4246 from 9 AM to 5 PM (EST) Monday to Friday.

Upon receiving the RETURN AUTHORIZATION number from the Customer Service Department, properly pack your unit in its original packaging. Include any adapters, parts, & accessories which were originally provided with the product, along with a check or money order for \$19.95 made out to Crosley Radio to cover the handling and return postage. Display the R.A. # on the outside of the carton and ship PREPAID via standard UPS or its equivalent.

**CROSLEY  
RADIO**

ATTN: RETURNS DEP'T  
2001 PRODUCTION DRIVE  
BAY 2 & 3  
LOUISVILLE, KY 40299

CROSLEY RADIO assumes no responsibility for units sent without prior Return Authorization.

The purchaser's bill of sale is the only proof of warranty entitlement and must accompany the unit.

The warranty does not cover damage due to acts of nature, accident, misuse, abuse, negligence, commercial use or modification of, or to any part of the product. This warranty does not cover damage due to improper operation or maintenance, connection to improper voltage supply, or attempted repair by anyone other than a facility authorized by Crosley Radio to service the product. This warranty does not cover products sold AS IS or consumables (such as fuses or batteries). This warranty is valid only in the United States.

This warranty gives the purchaser specified legal rights in addition to any rights which may vary from state to state.

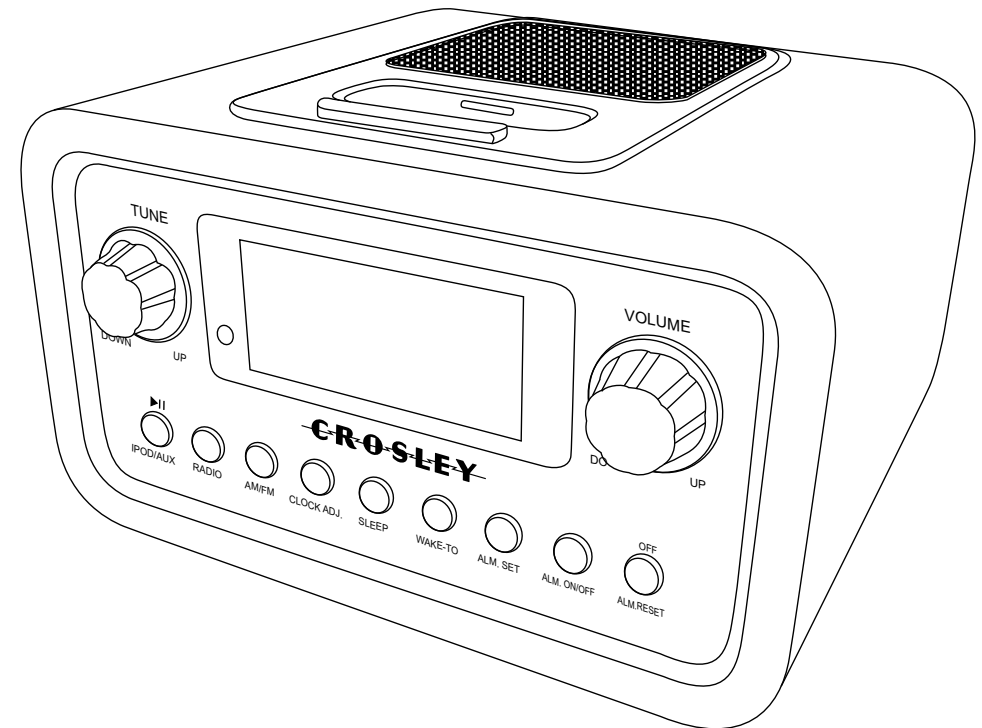
In accordance with the "Moss-Magnuson Warranty Act" of July 10, 1975, this is termed a "limited warranty" which in no way compromises Crosley Radio, high standards of Quality and Workmanship.

**CROSLEY  
RADIO**

# CRO2-002A

## Dock Clock

### Instruction Manual



# General

## Troubleshooting :

Symptom	Possible Problem	Solution
Does not turn on	AC adaptor isn't plugged into a working wall socket or not plugged into the power supply jack on back of the unit	Plug the AC adaptor into a working wall socket and plug the connector into the supply jack on the unit
Doesn't respond	Requires a reset	If unit is plugged in and doesn't respond, try resetting the unit by following these steps: a) remove iPod from dock b) unplug unit from power source c) remove back up batteries d) wait 1 hour, then resume use
iPod does not dock properly	Using no or wrong iPod insert	Make sure the dock insert is the proper fit for your iPod
	iPod didn't install properly	Remove your iPod from the dock and check for obstruction on the connectors in the dock and on your iPod. Then reseal it in the dock.
Battery Low icon always flashing	Batteries are weak	Replace with new batteries
	Batteries were not installed properly	Check to make sure polarity(+ and - ends)matches the diagram in the battery compartment
iPod does not respond to the unit/iPod is playing but no sound comes out	iPod is not installed properly	Remove your iPod from the dock and check for obstruction on the connectors in the dock and on your iPod. Then reseal it in the dock.
	Your iPod software is too old	Upgrade on your iPod. For details visit <a href="http://www.apple.com/ipod/download">http://www.apple.com/ipod/download</a>
	iPod is locked up/plays but no sound comes out	Check the volume setting. Make sure your iPod is working properly before docking into the unit. Please refer to your iPod manual for details. See above for software upgrade information. you may need to reset your iPod. To do so: a) Toggle the Hold switch to hold position, then off. b) Press and hold the Menu and center Select button at the same time until apple logo appears. You may need to repeat this step.
	Using 1st or 2nd generation iPod, iPod Shuffle or other devices.	It cannot control those iPods or other devices.
Remote Control didn't work	Battery weak	Replace current battery with new battery
	Remote Control is not pointed toward it remote sensor	Point the Remote Control towards the remote sensor (to the left of the display), move within 10 feet of the unit.
Radio/iPod performance is erratic	It is reaction to external interference	Move unit away from potential sources of external interference such as computers, modems, wireless devices(routers) or fluorescent light
No sound from unit	Volume is set too low on unit	Make sure volume is turned up
iPod didn't charge up	iPod is not installed properly	Remove your iPod from the dock and check for obstruction on the connectors in the dock and on your iPod. Then reseal it in the dock.
	iPod is locked up/frozen	Please make sure your iPod is working properly before docking into the unit. Please refer to your iPod manual for details.
	iPod battery has problem	

## WARNING:

TO PREVENT FIRE OR SHOCK HAZARD, DO NOT EXPOSE THIS APPLIANCE TO RAIN OR MOISTURE. DO NOT REMOVE COVER. PILOT LAMPS SOLDERED IN PLACE. NO USER SERVICEABLE PARTS INSIDE. REFER SERVICING TO QUALIFIED SERVICE PERSONNEL.

	<div style="border: 1px solid black; padding: 5px;"> <p><b>CAUTION</b></p> <p><b>RISK OF ELECTRIC SHOCK</b></p> <p><b>DO NOT OPEN</b></p> </div>	
<p>The lightning flash with arrowhead symbol, within an equilateral triangle, is intended to alert user to the presence of uninsulated "dangerous voltage" within the product's enclosure that may be of sufficient magnitude to constitute risk of electric shock to persons.</p>	<p><b>CAUTION: TO REDUCE THE RISK OF ELECTRIC SHOCK, DO NOT REMOVE COVER (OR BACK). NO USER - SERVICEABLE PARTS INSIDE. REFER SERVICING TO QUALIFIED SERVICE PERSONNEL.</b></p>	<p>The exclamation point within an equilateral triangle is intended to alert user to the presence of important operating and maintenance (servicing) instruction in the literature accompanying the appliance.</p>

## Specification

Frequency Range	: AM 530 - 1710 KHz
	: FM 87.5 - 107.9 MHz
Power Supply	: AC Adaptor DC15V 1.3A
Power Consumption	: 25W
Antennas	: External the telescopic antenna for FM
	: built-in ferrite bar for AM
Speaker	: 3" 4ohm 7W x 1

\* DESIGN AND SPECIFICATIONS SUBJECT TO CHANGE WITHOUT NOTICE.

# Operation

## Using the Alarm

### Setting the Alarm

- 1 Press and hold the Alarm Set Button (11) until the alarm time flashes.
- 2 Turn the Tune Knob (1) to set the desired alarm time.

NOTE:  
a PM indicator appears when the time is set to PM, there is no AM indicator.

- 3 Press Alarm Set Button (11) again. Alarm is now set. An alarm clock icon will show on the display as well as the alarm source icon.

- 4 Press the Wake To Button (10) repeatedly to select the desired wake to source: iPod, Radio or Buzzer.

NOTE:  
Before turning the unit off, set the volume to the level you wish to wake to.

### Arming and Disarming Alarm (Turn Alarm Function ON and OFF)

- 1 Press the Alarm On/Off Button (12) to arm or disarm alarm function. When armed, alarm icon appears in display.

### Snooze

- 1 Press the Snooze/Dimmer Button (15/30) after the alarm sounds. The alarm will be silenced and come on again 9 minutes later. Snooze can be pressed several times during the 1 hour alarm cycle.

## Listening to Your iPod

### Playing and charging your iPod

- 1 Place the proper dock plate (not supplied) for your iPod in the Dock (14), then gently dock your iPod. When docked, the iPod will begin charging. The iPod will not overcharge.
- 2 Press the iPod Button (5) to play iPod, and again to pause.
- 3 Adjust the volume level to the desired listening level by turning the Volume Knob (4).
- 4 Press the Alarm Reset/Power Off Button (13) to turn the unit and the iPod off.

## Radio Operation

### Tuning and Playing the Radio

- 1 Press the Radio Button (29) to select radio play mode.
- 2 Press the AM/FM Select Button (7/25) to select AM or FM radio band.
- 3 Turn the Tune Knob (1) to tune radio to desired station.
- 4 Adjust the volume level to desire level by turning the Volume Knob (4).
- 5 Press the Alarm Reset/Power Off Button (13) to turn the radio off.

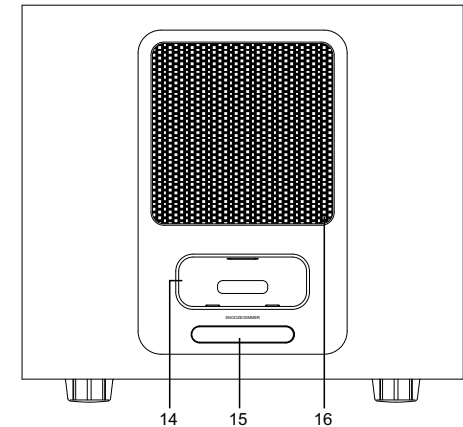
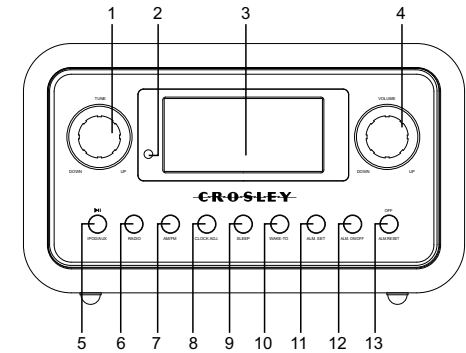
### iPod and Radio using the Remote control

Press the Next track Button (24) or Previous track Button (28) when iPod is playing, or hold to scan current playing track. In Radio mode, press to tune station, hold to scan Radio station.

# Getting Started

## Unit Controls

- 1 Tune Knob
- 2 Remote sensor
- 3 LCD Display
- 4 Volume Knob
- 5 (iPod/Aux)/Play Button
- 6 Radio Button
- 7 (BAND)AM/FM Button
- 8 Clock Adjust Button
- 9 Sleep Button
- 10 Wake To Button
- 11 Alarm Set Button
- 12 Alarm ON/OFF Button
- 13 Alarm Reset/Power off Button
- 14 iPod Dock
- 15 Snooze/Dimmer Button
- 16 Speaker



# IMPORTANT SAFETY INSTRUCTION

## PLEASE READ CAREFULLY ALL THE FOLLOWING IMPORTANT SAFEGUARDS THAT ARE APPLICABLE TO YOUR EQUIPMENT

1. Read Instructions - All the safety and operating instructions should be read before the product is operated.
2. Retain instructions - The safety and operating instructions should be retained for future reference.
3. Heed Warnings - All warnings on the product and in the operating Instructions should be adhered to.
4. Follow Instructions - All operating and use instructions should be followed.
5. Cleaning - Unplug this product from the wall outlet before cleaning. Do not use liquid cleaners or aerosol cleaners. Use a damp cloth for cleaning.
6. Attachments - Do not use attachments not recommended by the product manufacturer as they may cause hazards.
7. Water and Moisture - Do not use this product near water - for example, near a bath tub, wash bowl, kitchen sink, or laundry tub; in a wet basement; or near a swimming pool; and the like.
8. A product and cart combination should be moved with care. Quick stops, excessive force, and uneven surfaces may cause the product and cart combination to overturn.
9. Ventilation - Slots and openings in the cabinet are provided for ventilation and to ensure reliable operation of the product and to protect it from overheating, and these openings must not be blocked or covered. The openings should never be blocked by placing the product on a bed, sofa, rug, or other similar surface. This product should not be placed in a built-in installation such as a bookcase or rack unless proper ventilation is provided or the manufacturer's instructions have been adhered to.
10. Power Sources - This product should be operated only from the type of power source indicated on the marking label, if you are not sure of the type of power supply to your home. Consult your product dealer or local power company. For products intended to operate from battery power, or other sources, refer to the operating instructions.
11. Grounding or Polarization - This product may be equipped with a polarized alternating-current line plug (a plug having one blade wider than the other). This plug will fit into the power outlet only one way. This is a safety feature. If you are unable to insert the plug fully into the outlet try reversing the plug. If the plug should still fail to fit, contact your electrician to replace your obsolete outlet. Do not defeat the safety purpose of the polarized plug.
12. Power - Cord Protection - Power - supply cords should be routed so that they are not likely to be walked on or pinched by items placed upon or against them, paying particular attention to cords at plugs, convenience receptacles, and the point where they exit from the product.
13. Lightning - For added protection for this product during a lightning storm, or when it is left unattended and unused for long periods of time, unplug it from the wall outlet and disconnect the antenna or cable system. This will prevent damage to the product due to lightning and power - line surges.
14. Power Lines - An outside antenna system should not be located in the vicinity of overhead power lines or other electric light or power circuits, or where it can fall into such power lines or circuits. When installing an outside antenna system, extreme care should be taken to keep from touching such power lines or circuits as contact with them might be fatal.
15. Overloading - Do not overload wall outlets, extension cords, or integral convenience receptacles as this can result in a risk of fire or electric shock.
16. Object and Liquid Entry - Never push objects of any kind into this product through openings as they may touch dangerous voltage points or short - out parts that could result in a fire or electric shock. Never spill liquid of any kind on the product.
17. Servicing - Do not attempt to service this product yourself as opening or removing covers may expose you to dangerous voltage or other hazards. Refer all servicing to qualified service personnel.
18. Damage Requiring Service - Unplug this product from the wall outlet and refer servicing to qualified service personnel under the following conditions:
  - a. When the power-supply cord or plug is damaged.
  - b. If liquid has been spilled, or objects have fallen into the product.
  - c. If the product has been exposed to rain or water.
  - d. If the product does not operate normally by following the operating instructions. Adjust only those controls that are covered by the operating instructions as an improper adjustment of other controls may result in damage and will often require extensive work by a qualified technician to restore the product to its normal operation.
  - e. If the product has been dropped or damaged in any way.
  - f. When the product exhibits a distinct change in performance - this indicates a need for service.
19. Replacement Parts - When replacement parts are required, be sure the service technician has used replacement parts specified by the manufacturer or have the same characteristics as the original part. Unauthorized substitutions may result in fire, electric shock, or other hazards.
20. Safety Check - Upon completion of any service or repairs to this product, ask the service technician to perform safety checks to determine that the product is in proper operating condition.
21. Wall or ceiling Mounting - The product should be mounted to a wall or ceiling only as recommended by the manufacturer.
22. Heat - The product should be situated away from heat sources such as radiators, heat registers, stoves, or other products (including amplifiers) that produce heat.



**WARNING:** Changes or modifications to this unit not expressly approved by the party responsible for compliance could void the user's authority to operate the equipment.

**NOTE:** This equipment has been tested and found to comply with the limits for a Class B digital device, pursuant to Part 15 of the FCC Rules. These limits are designed to provide reasonable protection against harmful interference in a residential installation. This equipment generates, uses, and can radiate radio frequency energy and, if not installed and used in accordance with the instructions, may cause harmful interference to radio communications. However, there is no guarantee that interference will not occur in a particular installation. If this equipment does cause harmful interference to radio or television reception, which can be determined by turning the equipment off and on, the user is encouraged to try to correct the interference by one or more of the following measures:

- Reorient or relocate the receiving antenna.
- Increase the separation between the equipment and receiver.
- Connect the equipment into a circuit different from that to which the receiver is connected.
- Consult the dealer or an experienced radio TV technician for help.

## General

### Troubleshooting :

Symptom	Possible Problem	Solution
No AM band radio is very noisy	Unit not getting good signal	Move the main unit/iPod and rotate it for best reception
Sound is distorted	Volume level is set too high	Decrease the volume
	Sound source is distorted	If the iPod original sound source(MP3) is old or of poor quality, distortion and noise are easily noticed with high-power speakers. Try a different audio source such as a music CD.  If you are using an external sound source like older generation of iPod or iPod Shuffle, try reducing the output volume on the device itself. Also try turning bass boost OFF.
Unit/adaptor gets warm after extended play at high volume	This is normal	Turn unit off for a while or lower volume

## PROBLEMS?

5G iPod(iPod with video) or iPod nano

### RESET YOUR IPOD (as per apple website)

(will not affect music on your iPod)

1. Move the Hold switch ON and OFF(slide it to Hold, then turn it off again)
2. Press and hold the MENU + centre SELECT button until the Apple logo appears (about 6-10 seconds). You may need to repeat this step.

**NOTE :** Please make sure that your iPod has the latest firmware. Check your iPod manual or the Apple website([www.apple.com](http://www.apple.com)) and follow instructions on how to upgrade firmware for you iPod.

# Welcome

Thank you for purchasing the Crosley Dock Clock (CR02-002A). Before operating this unit, please read this manual thoroughly and retain it for future reference.

# About This Manual

Instructions in this manual describe the control functions of the Dock Clock(CR02-002A).

### Included in the package:

- Dock Clock
- Remote Control
- 3.5mm stereo cable

# Table of Contents

## Getting Started

Control Locators.....	5-6
Setting the Clock.....	7
Battery Backup.....	7

## Operation

Using the Alarm.....	8
Radio Operation.....	8
Listening to Your iPod.....	8
Remote Control.....	9
Sleep Mode.....	9
Auxiliary Input.....	9

## General

Troubleshooting Guide.....	10-11
Warranty.....	12

# Operation

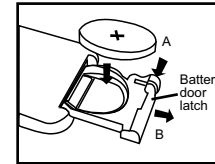
## Remote

The Remote Control controls basic unit functions as well as basic iPod functions when the iPod is docked in the unit. Be sure to aim the remote towards the LCD display.

### Install/Replace the Remote Control Battery

The remote control battery is already installed at the factory. When the remote control stops operating or its range seems reduced, replace the battery with a new one.

- 1 The battery door is located on the back end of the unit.
- 2 Squeeze notched tab A while pulling battery door latch B to release the battery door latch and take out the battery holder.



- 3 Insert a "CR2025" 3-volt lithium battery. Make sure the polarity (the + and - side of the battery) is correct.
- 4 Replace the battery holder back in the remote control.

NOTE :  
PLEASE RESPECT THE ENVIRONMENT:  
DISCARD BATTERIES PROPERLY.

CAUTION: When replacing the battery, replace only with the same or equivalent type.

## Using Dimmer

- 1 Press the Snooze/Dimmer Button (15/30) during normal operation to adjust brightness of LCD display.

## Telescopic Antenna

Extend the Telescopic Antenna (17) (on back of unit) fully for best reception. Do not strip, alter or attach to other antennas.

## Sleep Mode

Sleep mode lets you sleep to your iPod or the radio, gradually lowering the volume until the unit shuts off at the selected time.

- 1 Press the Sleep Button (9) to select the amount of time before it turns off : 120,90,60,30 or 15 minutes.
- 2 Turn the Volume knob (4) to set the sleep volume (this volume setting is separate from your standard volume setting).

## Auxiliary Input Jack

### Using the Auxiliary Input Jack

- 1 A 3.5mm stereo cable comes with your radio. You can use it to play non-docking iPod's or other audio devices by connecting one end of the cable to the Aux In Jack (20) and the other end plugged into the line out jack of the selected device. Make sure there is no iPod docked in your unit before using the Aux In Jack. Press the iPod/Aux Button (5). AUX will appear on the display and the device is ready to use.

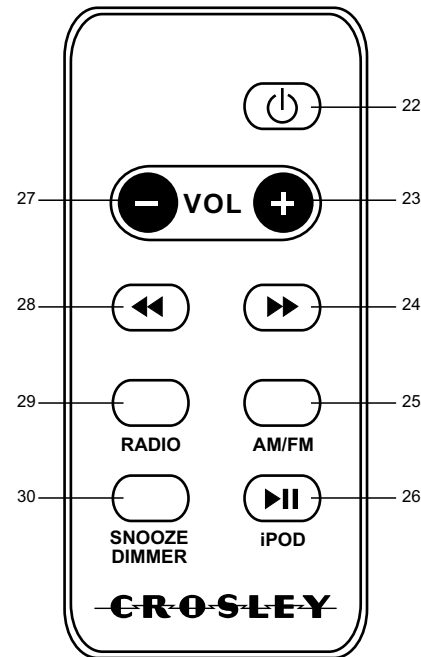
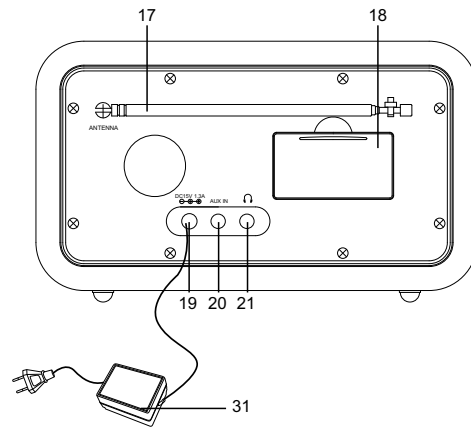
# Getting Started

## Unit Controls

- 17 Telescopic Antenna
- 18 Battery Compartment
- 19 AC Adaptor Jack
- 20 Aux In Jack
- 21 Headphone Jack

## Remote Controls

- 22 Power ON/OFF Button
- 23 Volume Up + Button
- 24 Next track ►►
- 25 (Band)AM/FM Button
- 26 Play/Pause ►|| Button
- 27 Volume Down - Button
- 28 Previous track ◀◀
- 29 Radio Button
- 30 Snooze/Dimmer Button
- 31 AC Adaptor



# Getting Started

## Power Source

- 1 Plug the included AC adaptor cable into the AC Adaptor Jack (19) and the other end into a standard 120V wall socket. It does not operate on batteries.

## Setting the Clock and Date

- 1 Press and hold the Clock Adjust Button (8). The clock Display will flash.
- 2 Turn the Tune Knob (1) until the current time is displayed (in 12hour mode, a PM indicator appears when time is set to PM; there is no AM indicator.)
- 3 Press the Clock Adjust Button (8) to accept the time. The year display will flash.
- 4 Turn the Tune Knob (1) to adjust the year and press the Clock Adjust Button (8). The date display will flash.
- 5 Turn the Tune Knob (1) to adjust the date and press the Clock Adjust Button (8). The setting is complete.

## Battery Back Up

The Crosley Dock Clock uses a battery backup system to maintain your clock and alarm settings during a power outage. In the event of a power outage, the battery backup will save your time and alarm settings until power is restored. The display light will also turn off until power is restored. To utilize the battery backup, you must install two AA batteries. The battery backup will not operate unless batteries are installed. To install batteries, follow the instructions below.

- 1 Remove the Battery Compartment Cover (18) from the back of the unit.
- 2 Install two new AA batteries in the correct position as shown inside the battery cover.
- 3 Reinstall the Battery Compartment Cover (18).

NOTE :  
Do not different batteries  
Do not mix old and new batteries

