



SUMMIT VENTILATION HOOD

OWNER'S GUIDE

READ AND SAVE THESE INSTRUCTIONS

Models B83211, B83212, B83213

B83221, B83222, B83223

Important Safety Instructions

**Take care when using cleaning agents or detergents.
Select products suitable for use in household cooking area only.**

**Certain locales require make-up air calculations for total airflow.
Consult your local codes and an HVAC professional before installing or using this hood.**

CAUTION - To reduce risk of fire and to properly exhaust air, be sure to duct air outside – Do not vent exhaust air into spaces within walls or ceilings or into attics, crawl spaces, or garages.

CAUTION - FOR GENERAL VENTILATING USE ONLY. DO NOT USE TO EXHAUST HAZARDOUS OR EXPLOSIVE MATERIALS AND VAPORS.

WARNING – TO REDUCE THE RISK OF FIRE, ELECTRIC SHOCK, OR INJURY TO PERSONS, OBSERVE THE FOLLOWING:

- a. Use this unit only in the manner intended by the manufacturer. If you have questions, contact the manufacturer.
- b. Before servicing or cleaning unit, switch power off at service panel and lock the service disconnecting means to prevent power from being switched on accidentally. When the service disconnecting means cannot be locked, securely fasten a prominent warning device, such as a tag, to the service panel.

WARNING – TO REDUCE THE RISK OF A RANGE TOP GREASE FIRE:

- a. Never leave surface units unattended at high settings. Boilovers cause smoking and greasy spillovers that may ignite. Heat oils slowly on low or medium settings.
- b. Always turn hood ON when cooking at high heat or when cooking flaming foods.
- c. Clean ventilating fans frequently. Grease should not be allowed to accumulate on fan or filter.
- d. Use proper pan size. Always use cookware appropriate for the size of the surface element.

WARNING – TO REDUCE THE RISK OF INJURY TO PERSONS IN THE EVENT OF A RANGE TOP GREASE FIRE, OBSERVE THE FOLLOWING:

- a. SMOTHER FLAMES with a close-fitting lid, cookie sheet, or metal tray, then turn off the burner. BE CAREFUL TO PREVENT BURNS. If the flames do not go out immediately, EVACUATE AND CALL THE FIRE DEPARTMENT.
- b. NEVER PICK UP A FLAMING PAN – You may be burned.
- c. DO NOT USE WATER, including wet dishcloths or towels – a violent steam explosion will result.
- d. Use an extinguisher ONLY if:
 1. You know you have a Class ABC extinguisher, and you already know how to operate it.
 2. The fire is small and contained in the area where it started.
 3. The fire department is being called.
 4. You can fight the fire with your back to an exit.

WARNING – TO REDUCE THE RISK OF FIRE, ELECTRIC SHOCK, OR INJURY TO PERSONS, OBSERVE THE FOLLOWING:

- a) Installation work and electrical wiring must be done by qualified person(s) in accordance with all applicable codes and standards, including fire-rated construction.
- b) Sufficient air is needed for proper combustion and exhausting of gases through the flue (chimney) of fuel burning equipment to prevent back drafting. Follow the heating equipment manufacturer's guideline and safety standards such as those published by the National Fire Protection Association (NFPA), and the American Society for Heating, Refrigeration and Air Conditioning Engineers (ASHRAE), and the local code authorities.
- c) When cutting or drilling into wall or ceiling, do not damage electrical wiring and other hidden utilities.
- d) Ducted fans must always be vented to the outdoors.

WARNING - TO REDUCE THE RISK OF FIRE, USE ONLY METAL DUCTWORK.

WARNING - Electrical Shock Hazard - Can result in serious injury or death. Disconnect appliance from electric power before servicing. If equipped, the fluorescent light bulb contains small amounts of mercury which must be recycled or disposed of according to Local, State, and Federal Codes.

Installation

FOR RESIDENTIAL USE ONLY
NOT TO BE INSTALLED OVER GAS GRILLS
PLEASE READ ENTIRE INSTRUCTIONS BEFORE PROCEEDING.
INSTALLATION MUST COMPLY WITH ALL LOCAL CODES.

IMPORTANT: Save these Instructions for the Local Electrical Inspector's use.

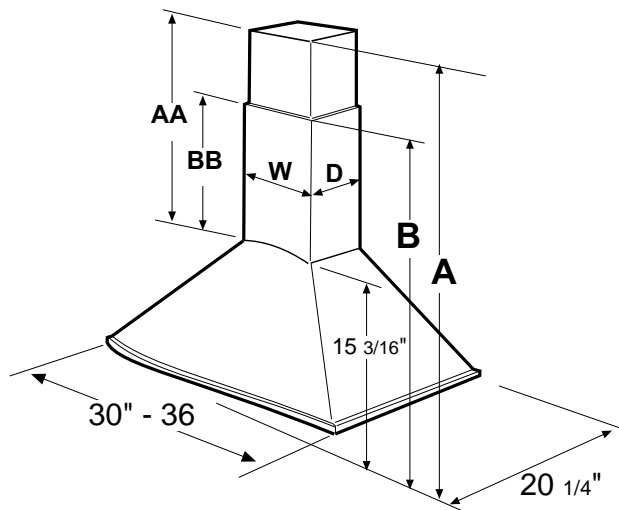
INSTALLER: Please leave these Instructions with this unit for the owner.

OWNER: Please retain these instructions for future reference.

SAFETY WARNING: Turn off power circuit at the service entrance and lock out panel, before wiring this appliance.

Requirement: 120 V AC, 60 Hz. 15 or 20 A

Dimensions



Dimensions	
A (Range of adjustable ht.)*	35 ¹ / ₂ - 41 ³ / ₄
B (Min. ht. with one cover)*	27 ³ / ₄
W (width) x D (depth)	8 ³ / ₁₆ x 6 ⁷ / ₈
AA (Cover adjustable ht.)	23 ⁷ / ₁₆ - 32 ¹⁵ / ₁₆
BB (Cover min. height)	16

Weight: 31,3 lbs

Diameter of Transition: 6"

Diameter of exhaust Duct required: 6"

Figure 1*

Note: All dimensions are shown in inches.

* Dimensions are given from base of hood to ceiling, and include clearance required for installation.

Considerations before installing Hood

1. For the most efficient air flow exhaust, use a straight run or as few elbows as possible.

CAUTION: Vent unit to outside of building, only.

2. If allowed in your area, use metallic flex ducting only to connect rigid duct directly to transitions.
3. COLD WEATHER installations should have an additional backdraft damper installed to minimize backward cold air flow and a nonmetallic thermal break to minimize conduction of outside temperatures as part of the ductwork. The damper should be on the cold air side of the thermal break. The break should be as close as possible to where the ducting enters the heated portion of the house.
4. Hood installation height above cooktop is the users preference. The lower the hood above the cooktop, the more efficient the capturing of cooking odors, grease and smoke. We recommend the hood be installed 30-36" above the countertop. The lower height may be inconvenient for tall people and large cooking vessels. Check your ceiling height and the maximum hood height before you select your hood.

5. **The hood can also be used with a filtering function by fitting one part B80011 Kenyon activated charcoal filter.** The air is filtered and recirculated through the upper grid located on both sides of the lower section of the cover. This function is the best solution when is not possible to exhaust air to the outside.

A Conversion Kit must be ordered separately to equip the cooker hood for filtering.

This special kit contains a filtering duct (to be mounted in place of the transition) and a charcoal filter (for filtering cooking odors).

Installation

Tools required for installation

Screw driver
(flat head, philips n°2 and torx 10)

Allen spanner 4mm

Electric drill with twist bit $\frac{13}{32}$ "

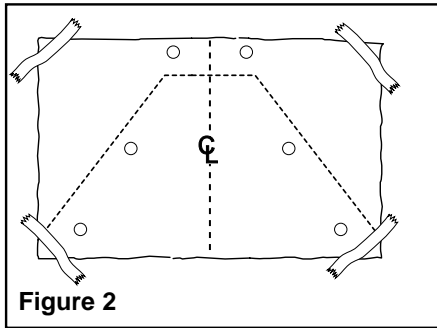


Figure 2

Preparation of mounting surface (Drywall)

1. Select a mounting height comfortable for the user and mark on wall behind cooktop.
2. Mark center line of cooktop and draw vertical line from bottom of hood to the ceiling.
3. Tape template, matching center-line and hood bottom as shown in Figure 2.
4. Mark centers of the 6 fastener locations through template on wall then remove template.
5. Mark wall with horizontal line 1" above highest and 1" below lowest fastener location.
6. Find studs behind drywall by tapping wall or using a stud finder. Mark the center of the studs with a vertical line to the right and left of the marked fastener location.
Note: 2 x 6's must span at least 2 studs side to side.
7. Cutout drywall along marked lines. Install 2 x 6's between studs firmly flush with stud front. Make sure all mounting screws will anchor to added lumber. Replace drywall and refinish.
8. Remark center line and hood bottom on same location as before and tape template on wall as in step 3 above.
9. Mount 2 mounting hooks with wood screws (supplied in mounting hardware kit) on locations marked on template, then remove template.
10. Install duct cover ceiling bracket to wall flush to ceiling with drywall anchors supplied. Figure 3.

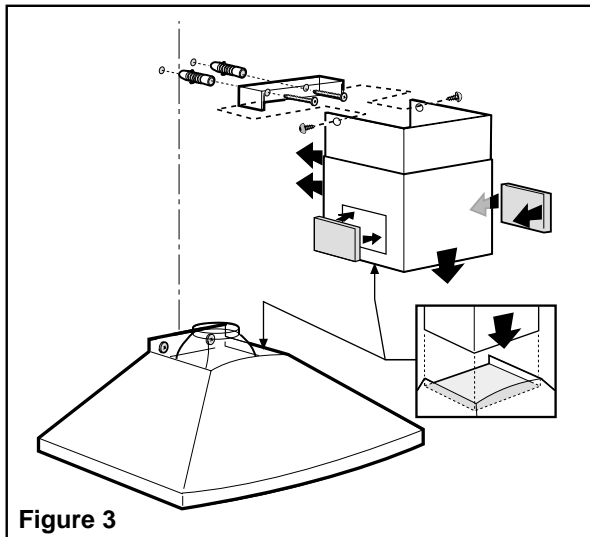


Figure 3

Installation

Appliance Installation:

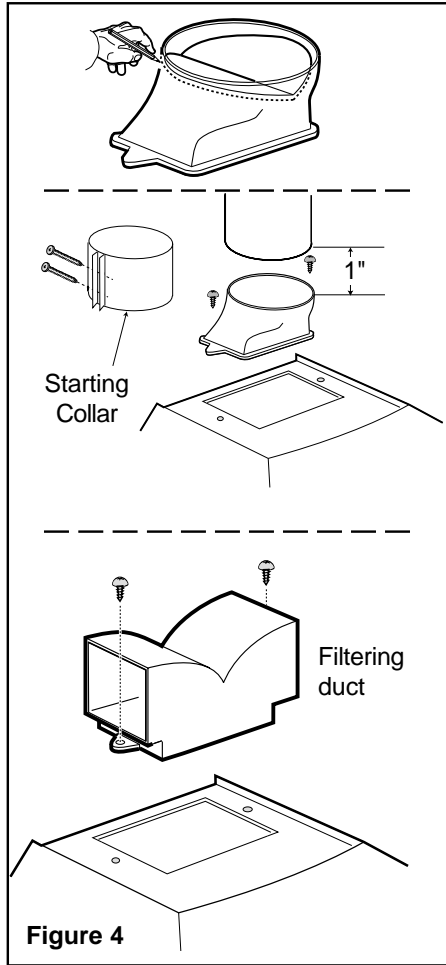


Figure 4

11. Install transition on top of hood if removed for shipping. Mark onto exterior of transition the 'V' location of the damper within. Figure 4.

Note: Duct screws can ONLY GO BELOW this line.

For Filtering Function ONLY:

Install filtering duct on top of hood instead of transition. Filtering duct is available only by ordering the conversion kit for filtering function. Kenyon Part # B80011

12. Hang hood on 2 mounting hooks through the rectangular cutouts on back of hood. Figure 5
13. Level the appliance, using a carpenters level across bottom of hood with leveling screws in mounting hooks or rectangular cutouts.
14. Secure hood with 2 screws on top and 2 screws on bottom. See Figure 5.
15. Connect ducting (Figure 4).

Note: for blower serviceability, leave a gap of 1" minimum between top of transition and sheet metal duct and cover gap with a starting collar wrapped around duct and transition. Locate collar screws so they fit into corner of duct cover. Secure collar to transition and duct with three sheet metal screws each. Seal with duct tape.

Do not use duct smaller than the transition.

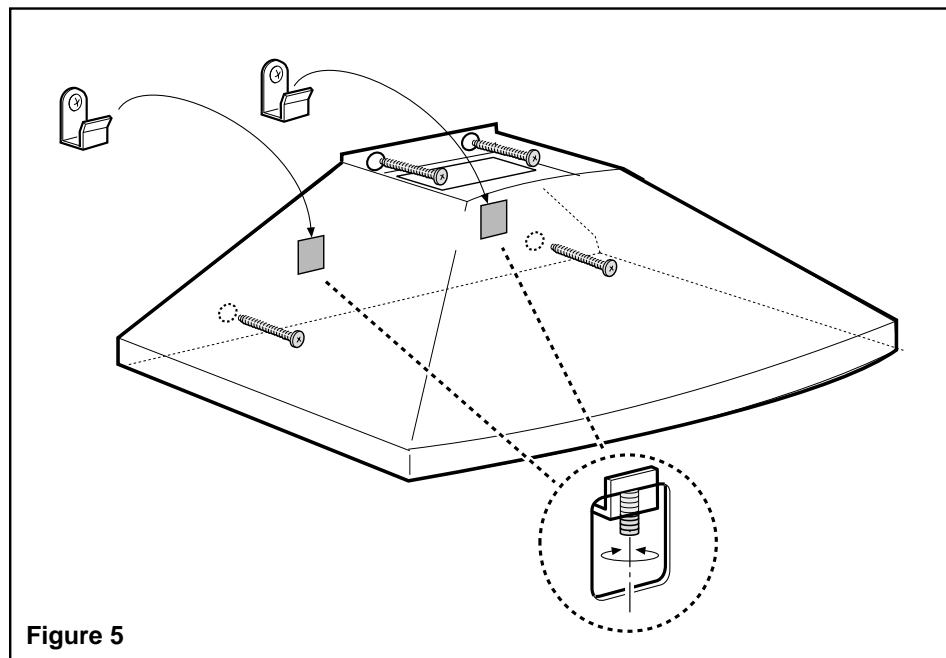


Figure 5

Installation

Wiring to Power Supply

WARNING!
ELECTRICAL GROUNDING INSTRUCTIONS

THIS APPLIANCE IS FITTED WITH AN ELECTRICAL JUNCTION BOX WITH 3 WIRES, ONE OF WHICH (GREEN/YELLOW) SERVES TO GROUND THE APPLIANCE. TO PROTECT YOU AGAINST ELECTRIC SHOCK, THE GREEN AND YELLOW WIRE MUST BE CONNECTED TO THE GROUNDING WIRE IN YOUR HOME ELECTRICAL SYSTEM, AND IT MUST UNDER NO CIRCUMSTANCES BE CUT OR REMOVED.

Warning: Turn off power circuit at the service panel before wiring this unit. 120 VAC, 15 or 20 Amp circuit required.

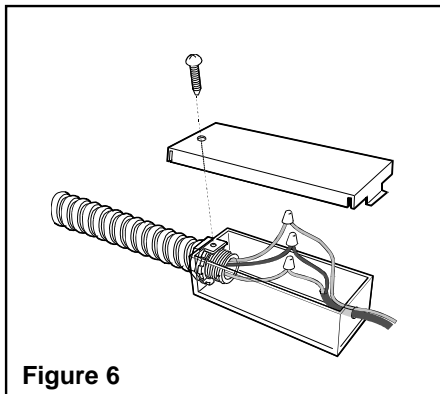


Figure 6

16. Remove the knockout and install the conduit connector (1/2") in junction box.
17. Run 3 wires; black, white and green (#16AWG) in 1/2" conduit from service panel to junction box.
18. Connect black wire from service panel to black or red in junction box, white to white and green to green-yellow. Figure 6.
19. Close junction box cover. Check all light bulbs to make sure they are secure in their sockets. Turn power on in service panel. Check lights and blower operation per Care & Use section of this manual. Install filters.

Final Assembly

20. Install duct cover per Figure 3
21. Install the two plastic deflectors to cover the big side slots on the lower duct cover.
22. Make sure to leave this manual for the home owner.

Alternate - reduced ceiling height Installation:

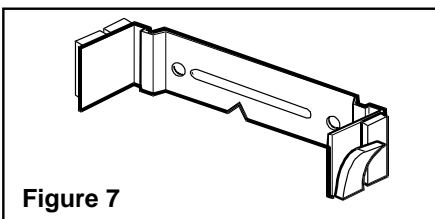


Figure 7

The hood may be installed with only the lower part of the duct cover to reduce the overall height. For the duct cover to slide down and engage the top of the hood, the ceiling bracket must be mounted 1/4" below the ceiling. The resulting space on top of the chimney can be filled with a 1/4" thick piece of plywood cut to the inside cross section of the chimney cover and finished to match the ceiling. Cut the self-adhesive rubber tape supplied with the hood in 4 identical sections. Attach two pieces of tape to each side of the ceiling bracket. Figure 7. Snap lower chimney duct cover into place around ceiling bracket.

Rear discharge:

A 90° elbow may be installed immediately above the hood. For serviceability, a mounting similar to the straight up discharge shown in Figure 4 should be used.