

# PARTS MANUAL

MODEL  
**Parts**  
**Manual**

EA175V73010

02/13



**SUBARU**

Industrial Power Products

**Subaru Industrial Power Products**

905 Telser Road - Lake Zurich, IL 60047 - Phone 847-540-7300 - Fax 847-438-5012

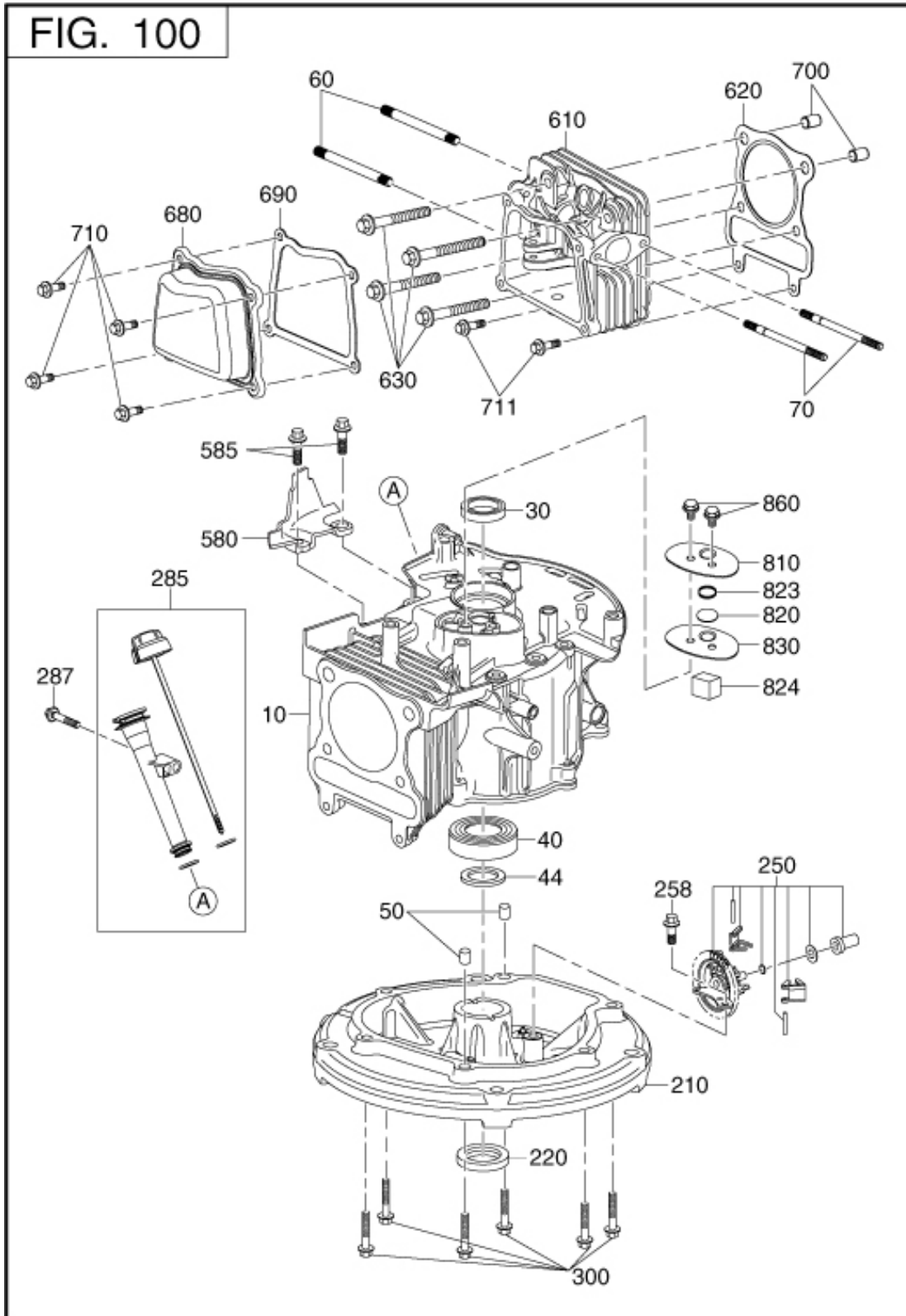
e-mail: [sales@subarupower.com](mailto:sales@subarupower.com) - [www.subarupower.com](http://www.subarupower.com)

© 2012 Subaru Industrial Power Products

# Group Index

<b>Group Name</b>	<b>Page</b>
100 Crankcase.....	4
200 Crankshaft.....	6
300 Intake & Exhaust.....	8
315 Intake & Exhaust.....	10
330 Intake & Exhaust.....	12
400 Governor.....	14
500 Cooling & Starting.....	16
600 Fuel & Lubricant.....	18
640 Fuel & Lubricant.....	20
700 Electric Device.....	22
900 Accessory.....	24
<b>Part Number Index.....</b>	<b>26</b>
<b>Part Description Index.....</b>	<b>27</b>

# 100 Crankcase



EA175V

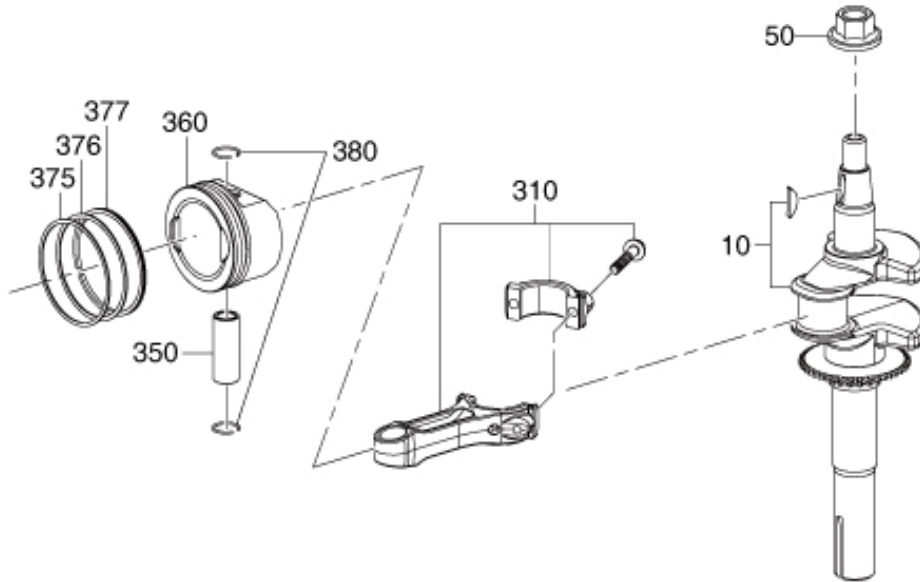
22C01000W00

## 100 Crankcase

Ref	Part Number.	Description	Qty	Remark
10	11310Z62011000	CRANKCASE ASSY	1	
30	90682Z62011000	OIL SEAL	1	
40	90557Z62011000	BALL BEARING	1	
44	90408Z02011000	WASHER	1	
50	90502081000	DOWEL PIN	2	
60	90204Z62011000	STUD	2	
70	90204Z02031000	STUD	2	
220	90682Z02011000	OIL SEAL	1	
250	16400Z62011000	GOVERNOR GEAR ASSY	1	
258	900070612A1	BOLT	1	
285	15010Z620110Q2	DIPSTICK ASSY	1	
287	900070640A1	BOLT	1	
300	900070630A1	BOLT	6	
580	19308Z62011000	AIR GUIDE	1	
585	900070625A1	BOLT	2	
610	12140Z62011000	CYLINDER HEAD ASSY	1	
620	12131Z62011000	CYLINDER HEAD GASKET	1	
630	12003Z02011000	BOLT	4	
680	12411Z62011000	VALVE COVER	1	
690	12004Z62011000	VALVE COVER GASKET	1	
700	90502101400	DOWEL PIN	2	
710	900070612A1	BOLT	4	
711	900070625A1	BOLT	2	
810	11333Z62011000	BREATHER COVER	1	
820	11321Z62011000	BREATHER	1	
823	11322Z62011000	BREATHER SPRING	1	
824	11331Z62011000	BREATHER MESH	1	
830	11332Z62011000	BREATHER COV GASKET	1	
860	900070612A1	BOLT	2	

# 200 Crankshaft

FIG. 200



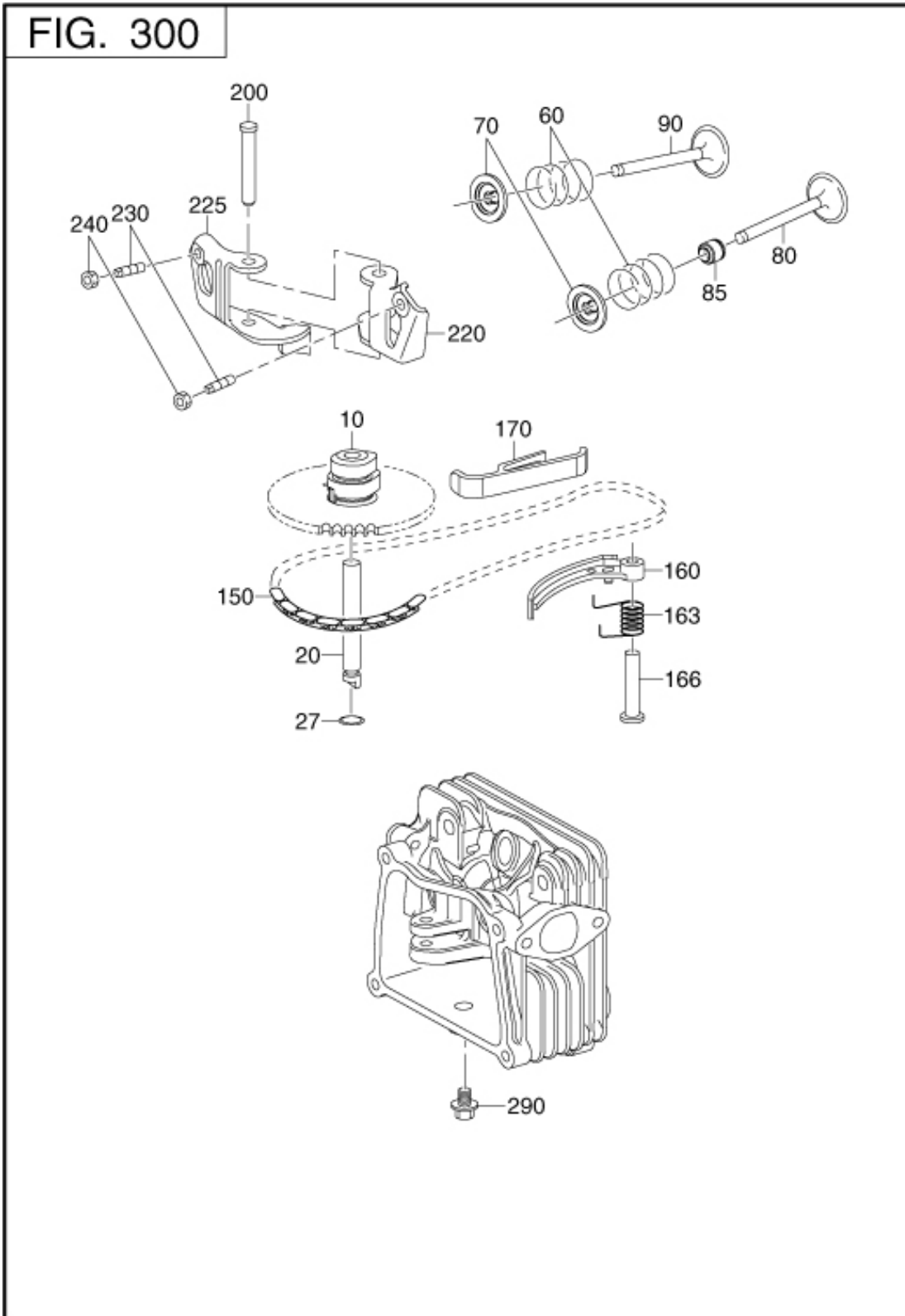
EA175V

22C020000W00

## 200 Crankshaft

Ref	Part Number.	Description	Qty	Remark
10	13300Z62181000	CRANKSHAFT AY 1"-2	1	
50	13501Z01011000	FLY WHEEL NUT	1	
310	13010Z62011000	CONNECTING ROD ASSY	1	
350	13121Z62011000	PISTON PIN	1	
360	13111Z62011000	PISTON	1	
375	13201Z01011000	FIRST PISTON RING	1	
376	13202Z01011000	SECOND PISTON RING	1	
377	13210Z01011000	OIL RING ASSY	1	
380	13122Z62011000	PISTON PIN SNAP RING	2	

# 300 Intake & Exhaust



EA175V

22C030000W00

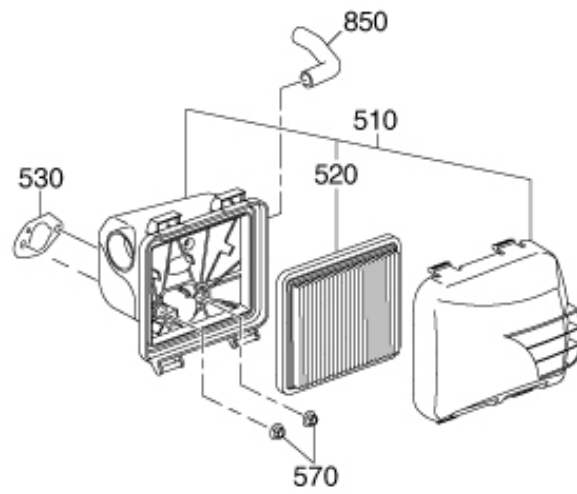


## 300 Intake & Exhaust

Ref	Part Number.	Description	Qty	Remark
10	14200Z62011000	CAM GEAR ASSY	1	
20	14216Z02011000	CAM SHAFT	1	
27	90681Z02011000	O-RING,FUEL CUP BOLT	1	
60	12103Z01011000	VALVE SPRING	2	
70	12112Z02012000	SPRING RETAINER	2	
80	12111Z62011000	INLET NALVE	1	
85	12101Z01011000	VALVE SEAL	1	
90	12121Z62011000	EXHAUST VALVE	1	
150	90710Z62011000	CHAIN	1	
160	14440Z02011000	TENSIONER	1	
163	14402Z02014000	TENSIONER SPRING	1	
166	14403Z02012000	TENSIONER SHAFT	1	
170	14009Z62011000	CHAIN GUIDE	1	
200	14330Z02021000	ROCKER ARM PIVOT	1	
220	14311Z02032000	INLET ROCKER ARM	1	
225	14321Z02032000	EXHAUST ROCKER ARM	1	
230	14314Z02021000	VALVE C/L ADJ STUD	2	
240	14312Z02021000	VALVE C/L ADJ NUT	2	
290	900070608A1	BOLT	1	

# 315 Intake & Exhaust

FIG. 315



EA175V

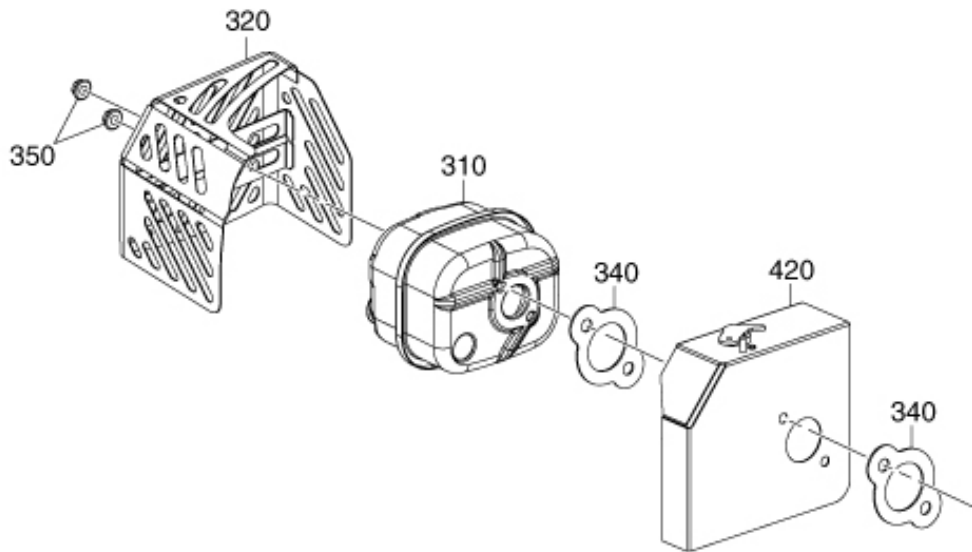
22C031500W00

## 315 Intake & Exhaust

Ref	Part Number.	Description	Qty	Remark
510	17100Z62011000	AIR CLEANER AY	1	
520	17150Z02021000	AIR CLEANER ELEMENT	1	
530	17001Z02013000	AIR CLEANER GASKET	1	
570	90305060031	NUT	2	
850	17004Z62011000	BREATH HOSE	1	
	17140Z62011000	AIR CLEANER BASE	1	
	17104Z62011000	CASE,AIR CLEANER	1	

## 330 Intake & Exhaust

FIG. 330



EA175V

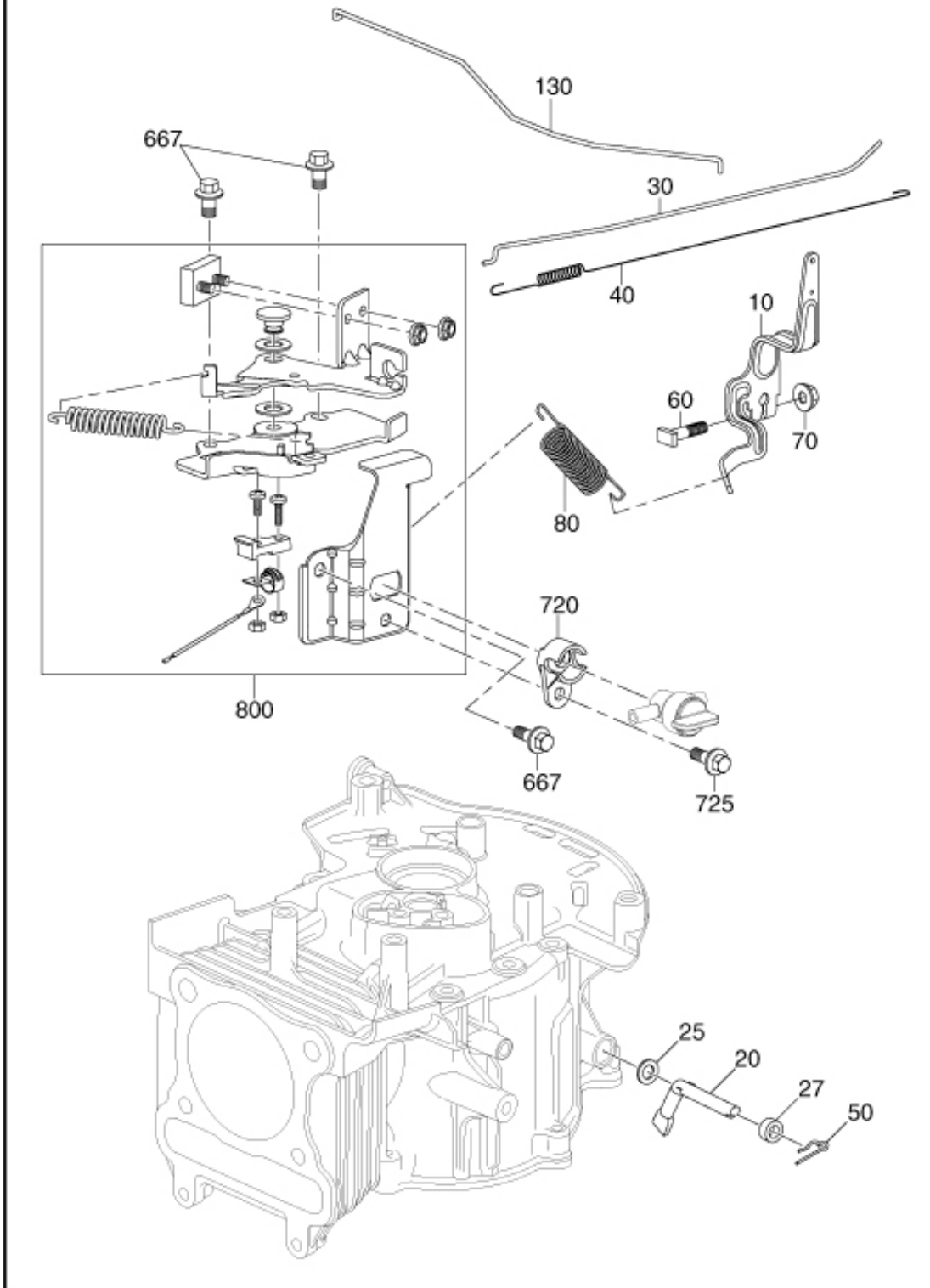
22C033000W00

## 330 Intake & Exhaust

Ref	Part Number.	Description	Qty	Remark
310	18160Z62021000	MUFFLER	1	
320	18130Z620210QA	MUFFLER COVER	1	
340	18001Z62011000	MUFFLER GASKET	2	
350	90310060031	NUT	2	
420	18020Z62011000	MUFFLER GASKET	1	

# 400 Governor

FIG. 450



EA175V

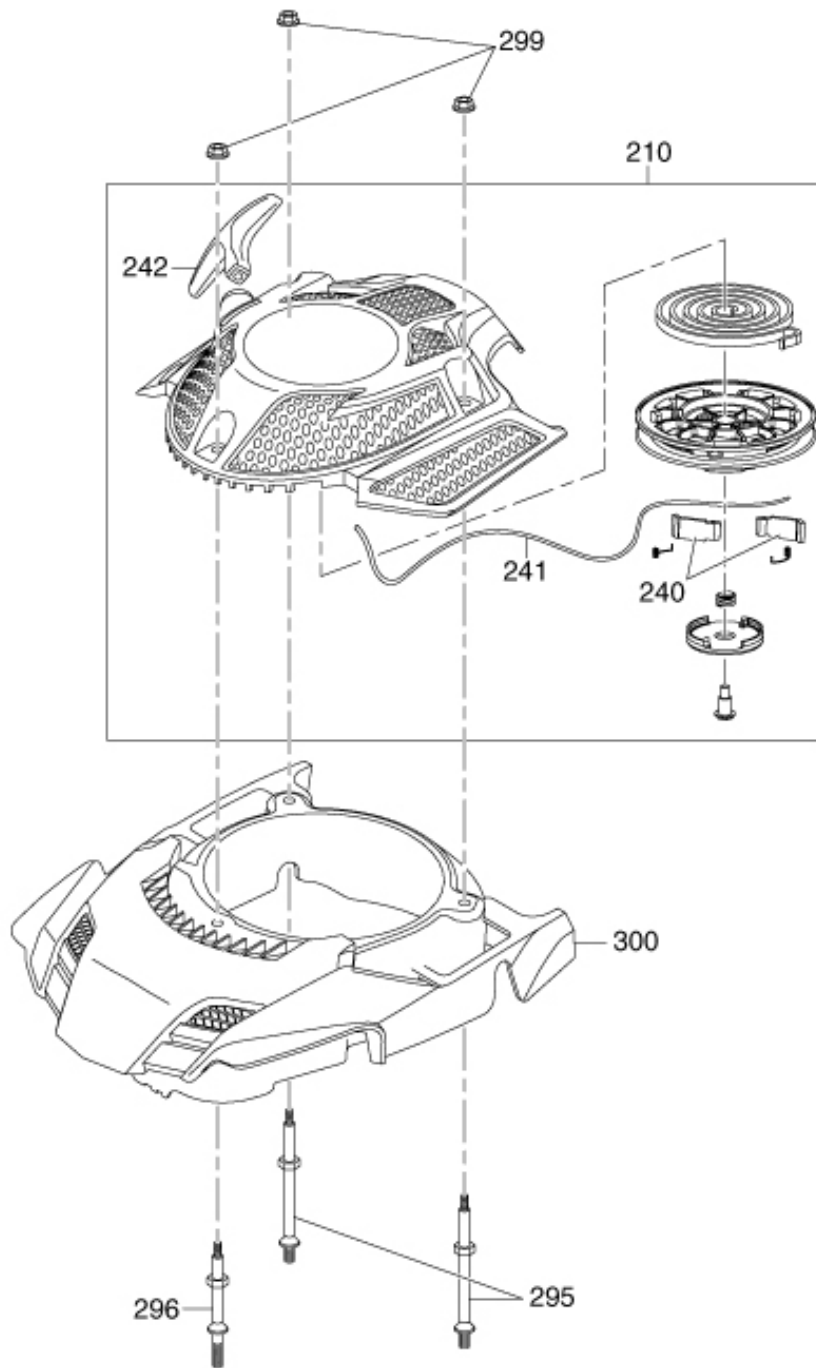
22C045000W00

## 400 Governor

Ref	Part Number.	Description	Qty	Remark
10	16071Z62011000	GOVERNOR LEVER	1	
20	16061Z62011000	GOVERNOR ARM	1	
25	90408Z01021000	WASHER	1	
27	90682Z03021000	OIL SEAL	1	
30	16062Z62011000	THROTTLE CTL LEVER	1	
40	16012Z62011000	TH RETURNING SPRING	1	
50	90501Z01011000	COTTER PIN	1	
60	16072Z01011000	BOLT	1	
70	90305060031	NUT	1	
80	16063Z62091000	GOVERNOR SPRING	1	
130	16123Z62011000	CHOKE ROD(AUTOCHOKE)	1	
667	900070612A1	BOLT	3	
720	16757Z02012000	FUEL VALVE BASE	1	
725	900070514A1	BOLT	1	
800	45200Z02021000	BRAKE	1	

# 500 Cooling & Starting

FIG. 500



EA175V

22C050000W00

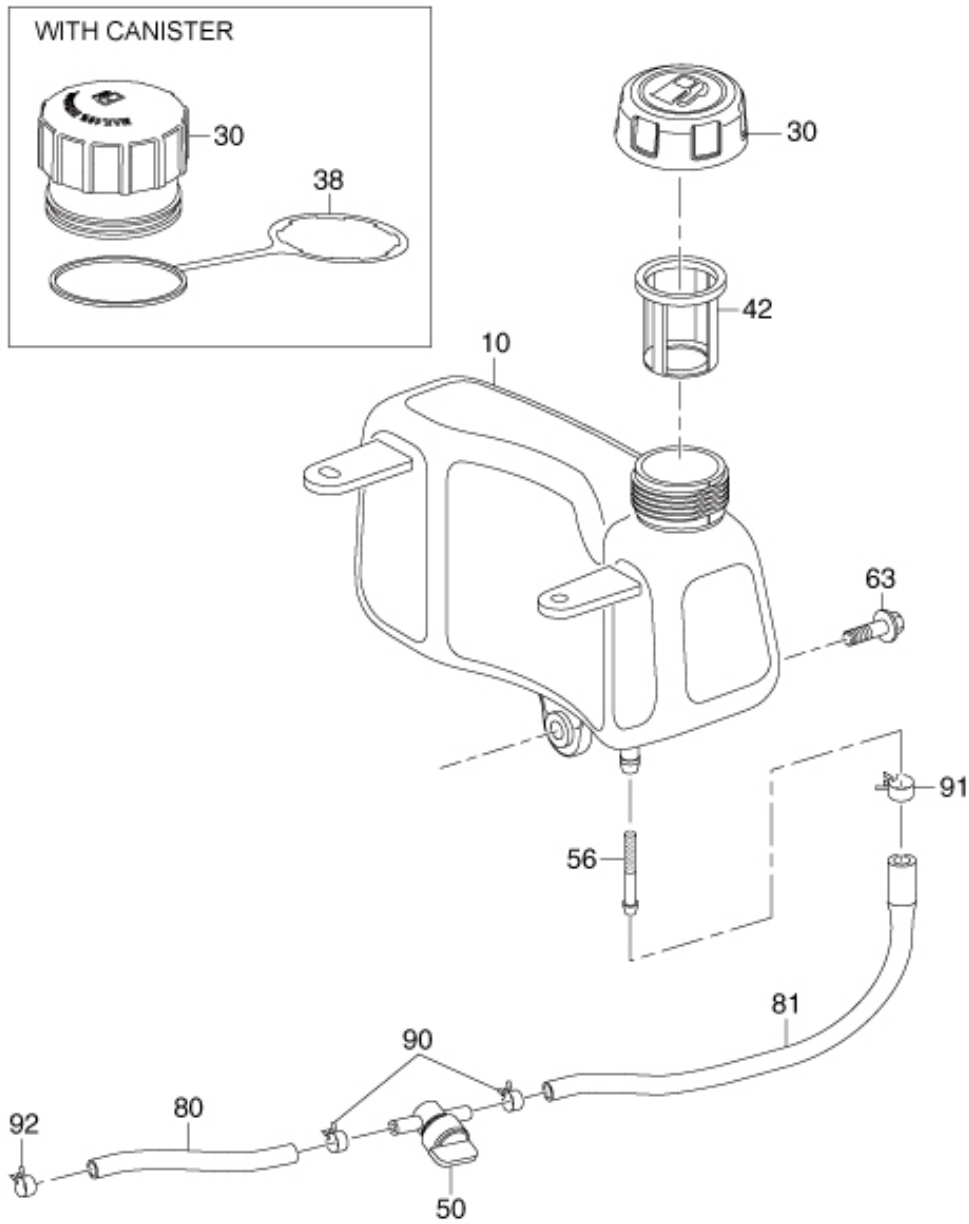


## 500 Cooling & Starting

Ref	Part Number.	Description	Qty	Remark
210	28200Z620210Q2	RECOIL STARTER	1	
240	28239Z24011000	PAWL	2	
241	28221Z03012000	RECOIL ROPE (2.3M)	1	
242	28210Z02011000	RECOIL KNOB	1	
295	28001Z62021000	STUD	2	
296	28001Z62011000	STUD	1	
299	90305050031	NUT	3	
300	28110Z620110Q2	ENGINE SHROUD	1	

# 600 Fuel & Lubricant

FIG. 600



EA175V

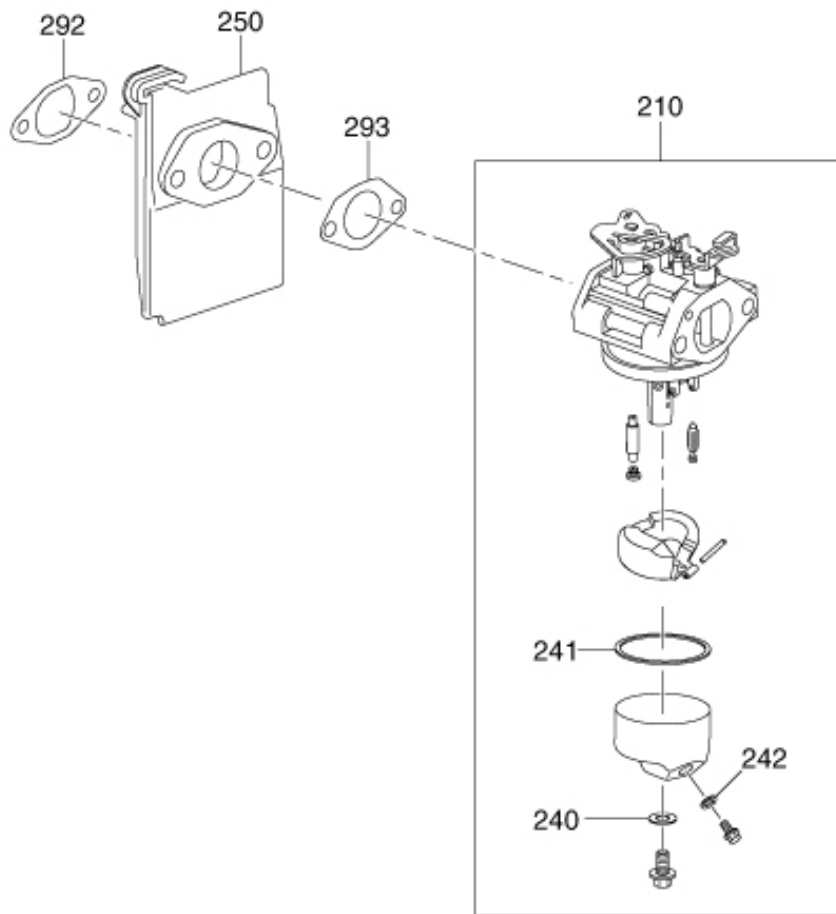
22C060000W00

## 600 Fuel & Lubricant

Ref	Part Number.	Description	Qty	Remark
10	16620Z62021001	FUEL TANK	1	
30	16730Z03011000	TANK CAP ASSY	1	
38	16744Z62011000	TETHER, TANK CAP	1	
42	16666z62013000	FUEL LEVEL	1	
50	16752Z02011000	FUEL VALVE	1	
56	16652Z03011000	FUEL FILTER	1	
63	900070625A1	BOLT	1	
80	90686Z62011000	FUEL HOSE	1	
81	90686Z02032000	FUEL HOSE	1	
90	90685Z02011000	HOSE CLAMP	2	
91	90685Z03041000	HOSE CLAMP	1	
92	90685Z03022000	HOSE CLAMP	1	

# 640 Fuel & Lubricant

FIG. 640



EA175V

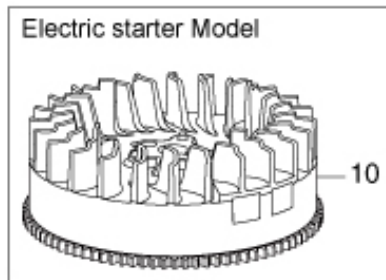
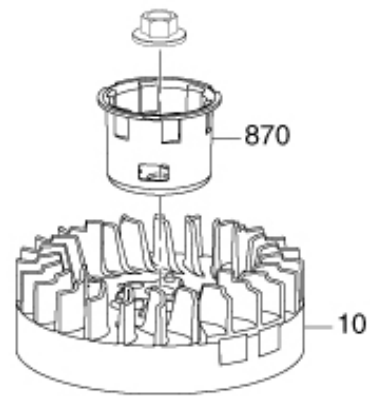
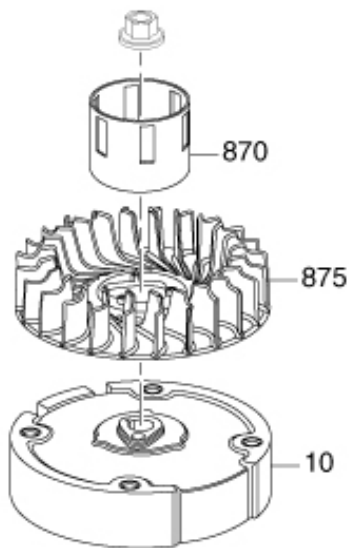
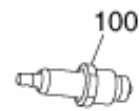
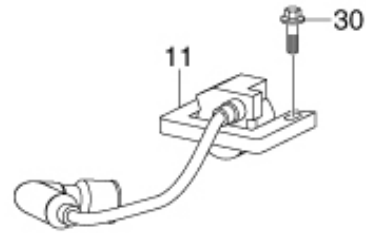
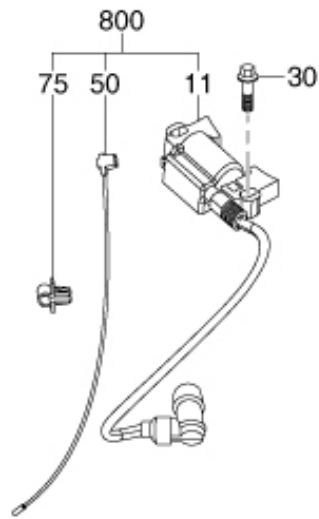
22C064000W00

## 640 Fuel & Lubricant

Ref	Part Number.	Description	Qty	Remark
210	16100Z62021000	CARBURETOR ASSY	1	
240	16112Z02011000	O-RING,FUEL CUP	1	
241	90681Z02011000	O-RING,FUEL CUP BOLT	1	
242	90409Z02011000	PACKING,DRAIN BOLT	1	
250	16003Z02022099	INSULATOR	1	
292	16002Z02011000	INSULATOR GASKET	1	
293	16001Z02012000	CARBURETOR GASKET	1	
	16210Z25012030	PRIMER	1	
	16211Z02021000	PRIMER PIPE	1	
	90685070001	HOSE CLAMP	2	

# 700 Electric Device

FIG. 700



EA175V

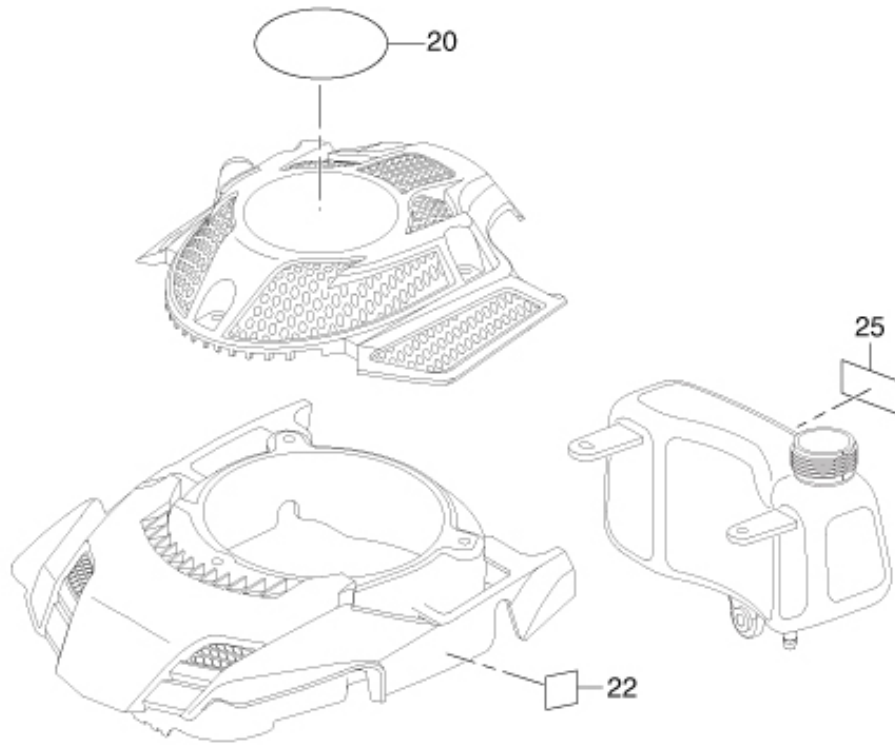
22C070000W00

## 700 Electric Device

Ref	Part Number.	Description	Qty	Remark
10	13510Z62011000	FLY WHEEL	1	
11	30400Z02061000	IGNITION COIL	1	
30	900070625A1	BOLT	1	
100	30010Z02012000	SPARK PLUG	1	
870	28002Z02021000	START CUP	1	

# 900 Accessory

FIG. 900



EA175V

22C090000W00



## 900 Accessory

Ref	Part Number.	Description	Qty	Remark
20	88013Z62011000	TRADE MARK LABEL	1	
22	88025Z62021000	FUEL SWITCH LABEL	1	
25	88001Z02011000	WARNING LABEL	1	
	88008Z02021000	PRIMER LABEL	1	

# Part Number Index

The Part Number Index is a numeric index of all part numbers included in this manual. The index shows what page(s) the part is used on.

Part Number	Page	Part Number	Page
11310Z62011000	.....5	18020Z62011000	.....13
11321Z62011000	.....5	18130Z620210QA	.....13
11322Z62011000	.....5	18160Z62021000	.....13
11331Z62011000	.....5	19308Z62011000	.....5
11332Z62011000	.....5	28001Z62011000	.....17
11333Z62011000	.....5	28001Z62021000	.....17
12003Z02011000	.....5	28002Z02021000	.....23
12004Z62011000	.....5	28110Z620110Q2	.....17
12101Z01011000	.....9	28200Z620210Q2	.....17
12103Z01011000	.....9	28210Z02011000	.....17
12111Z62011000	.....9	28221Z03012000	.....17
12112Z02012000	.....9	28239Z24011000	.....17
12121Z62011000	.....9	30010Z02012000	.....23
12131Z62011000	.....5	30400Z02061000	.....23
12140Z62011000	.....5	45200Z02021000	.....15
12411Z62011000	.....5	88001Z02011000	.....25
13010Z62011000	.....7	88008Z02021000	.....25
13111Z62011000	.....7	88013Z62011000	.....25
13121Z62011000	.....7	88025Z62021000	.....25
13122Z62011000	.....7	900070514A1	.....15
13201Z01011000	.....7	900070608A1	.....9
13202Z01011000	.....7	900070612A1	.....5, 15
13210Z01011000	.....7	900070625A1	.....5, 19, 23
13300Z62181000	.....7	900070630A1	.....5
13501Z01011000	.....7	900070640A1	.....5
13510Z62011000	.....23	90204Z02031000	.....5
14009Z62011000	.....9	90204Z62011000	.....5
14200Z62011000	.....9	90305050031	.....17
14216Z02011000	.....9	90305060031	.....11, 15
14311Z02032000	.....9	90310060031	.....13
14312Z02021000	.....9	90408Z01021000	.....15
14314Z02021000	.....9	90408Z02011000	.....5
14321Z02032000	.....9	90409Z02011000	.....21
14330Z02021000	.....9	90501Z01011000	.....15
14402Z02014000	.....9	90502081000	.....5
14403Z02012000	.....9	90502101400	.....5
14440Z02011000	.....9	90557Z62011000	.....5
15010Z620110Q2	.....5	90681Z02011000	.....9, 21
16001Z02012000	.....21	90682Z02011000	.....5
16002Z02011000	.....21	90682Z03021000	.....15
16003Z02022099	.....21	90682Z62011000	.....5
16012Z62011000	.....15	90685070001	.....21
16061Z62011000	.....15	90685Z02011000	.....19
16062Z62011000	.....15	90685Z03022000	.....19
16063Z62091000	.....15	90685Z03041000	.....19
16071Z62011000	.....15	90686Z02032000	.....19
16072Z01011000	.....15	90686Z62011000	.....19
16100Z62021000	.....21	90710Z62011000	.....9
16112Z02011000	.....21		
16123Z62011000	.....15		
16210Z25012030	.....21		
16211Z02021000	.....21		
16400Z62011000	.....5		
16620Z62021001	.....19		
16652Z03011000	.....19		
16666Z62013000	.....19		
16730Z03011000	.....19		
16744Z62011000	.....19		
16752Z02011000	.....19		
16757Z02012000	.....15		
17001Z02013000	.....11		
17004Z62011000	.....11		
17100Z62011000	.....11		
17104Z62011000	.....11		
17140Z62011000	.....11		
17150Z02021000	.....11		
18001Z62011000	.....13		

# Part Description Index

The Part Description Index is an alphabetical index of all part descriptions included in this manual. The index shows what page(s) the part is used on.

## A

AIR CLEANER AY.....11  
AIR CLEANER BASE.....11  
AIR CLEANER ELEMENT.....11  
AIR CLEANER GASKET.....11  
AIR GUIDE.....5

## B

BALL BEARING.....5  
BOLT.....5, 9, 15, 19, 23  
BRAKE.....15  
BREATH HOSE.....11  
BREATHER.....5  
BREATHER COV GASKET.....5  
BREATHER COVER.....5  
BREATHER MESH.....5  
BREATHER SPRING.....5

## C

CAM GEAR ASSY.....9  
CAM SHAFT.....9  
CARBURETOR ASSY.....21  
CARBURETOR GASKET.....21  
CASE,AIR CLEANER.....11  
CHAIN.....9  
CHAIN GUIDE.....9  
CHOKE ROD(AUTOCHOKE).....15  
CONNECTING ROD ASSY.....7  
COTTER PIN.....15  
CRANKCASE ASSY.....5  
CRANKSHAFT AY 1"-2.....7  
CYLINDER HEAD ASSY.....5  
CYLINDER HEAD GASKET.....5

## D

DIPSTICK ASSY.....5  
DOWEL PIN.....5

## E

ENGINE SHROUD.....17  
EXHAUST ROCKER ARM.....9  
EXHAUST VALVE.....9

## F

FIRST PISTON RING.....7  
FLY WHEEL.....23  
FLY WHEEL NUT.....7  
FUEL LEVEL.....19  
FUEL FILTER.....19  
FUEL HOSE.....19  
FUEL SWITCH LABEL.....25  
FUEL TANK.....19  
FUEL VALVE.....19  
FUEL VALVE BASE.....15

## G

GOVERNOR ARM.....15  
GOVERNOR GEAR ASSY.....5  
GOVERNOR LEVER.....15  
GOVERNOR SPRING.....15

## H

HOSE CLAMP.....19, 21

## I

IGNITION COIL.....23  
INLET NALVE.....9  
INLET ROCKER ARM.....9  
INSULATOR.....21  
INSULATOR GASKET.....21

## M

MUFFLER.....13  
MUFFLER COVER.....13  
MUFFLER GASKET.....13

## N

NUT.....11, 13, 15, 17

## O

O-RING,FUEL CUP.....21  
O-RING,FUEL CUP BOLT.....9, 21  
OIL RING ASSY.....7  
OIL SEAL.....5, 15

## P

PACKING,DRAIN BOLT.....21  
PAWL.....17  
PISTON.....7  
PISTON PIN.....7  
PISTON PIN SNAP RING.....7  
PRIMER.....21  
PRIMER LABEL.....25  
PRIMER PIPE.....21

## R

RECOIL KNOB.....17  
RECOIL ROPE (2.3M).....17  
RECOIL STARTER.....17  
ROCKER ARM PIVOT.....9

## S

SECOND PISTON RING.....7  
SPARK PLUG.....23  
SPRING RETAINER.....9  
START CUP.....23  
STUD.....5, 17

## T

TANK CAP ASSY.....19  
TENSIONER.....9  
TENSIONER SHAFT.....9  
TENSIONER SPRING.....9  
TETHER, TANK CAP.....19  
TH RETURNING SPRING.....15  
THROTTLE CTL LEVER.....15  
TRADE MARK LABEL.....25

## V

VALVE C/L ADJ NUT.....9  
VALVE C/L ADJ STUD.....9  
VALVE COVER.....5  
VALVE COVER GASKET.....5  
VALVE SEAL.....9  
VALVE SPRING.....9

## W

WARNING LABEL.....25  
WASHER.....5, 15

PRINTED IN THE USA

## Subaru Industrial Power Products

905 Telser Road - Lake Zurich, IL 60047

Phone 847-540-7300 - Fax 847-438-5012

e-mail: [sales@subarupower.com](mailto:sales@subarupower.com) - [www.subarupower.com](http://www.subarupower.com)