



# MULTICHOICE™ UNIVERSAL ROUGH VALVE BODY

- R10000-UN (Case Qty 12)
- R10000-UNBX (Case Qty 3)
- R10000-UNBXT (Case Qty 3)
- R10000-UNWS (Case Qty 12)
- R10000-PX (Case Qty 12)
- R10000-PXWS (Case Qty 12)
- R10000-IP (Case Qty 12)
- R10000-IPWS (Case Qty 12)

## STANDARD SPECIFICATIONS:

- Forged brass body.
- Back-to-Back installation capabilities.
- Can be tested with air (200 PSI) or water (300 PSI) without valve using supplied test cap.
- Square plasterguard allows for right angle cuts.
- Thin wall mounting.
- For use with Multi Choice™ Universal single or dual function trim. Cartridge ships with trim.

## WARRANTY

- Lifetime Faucet and Finish Limited Warranty to the original consumer purchaser to be free from defects in material and workmanship.
- 5 Year Limited Warranty for usage in all industrial, commercial and business applications.

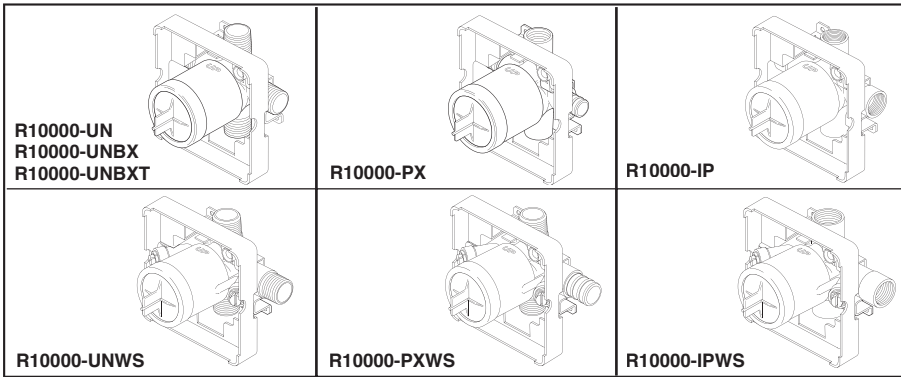


## COMPLIES WITH:

- ASME A112.18.1 / CSA B125.1

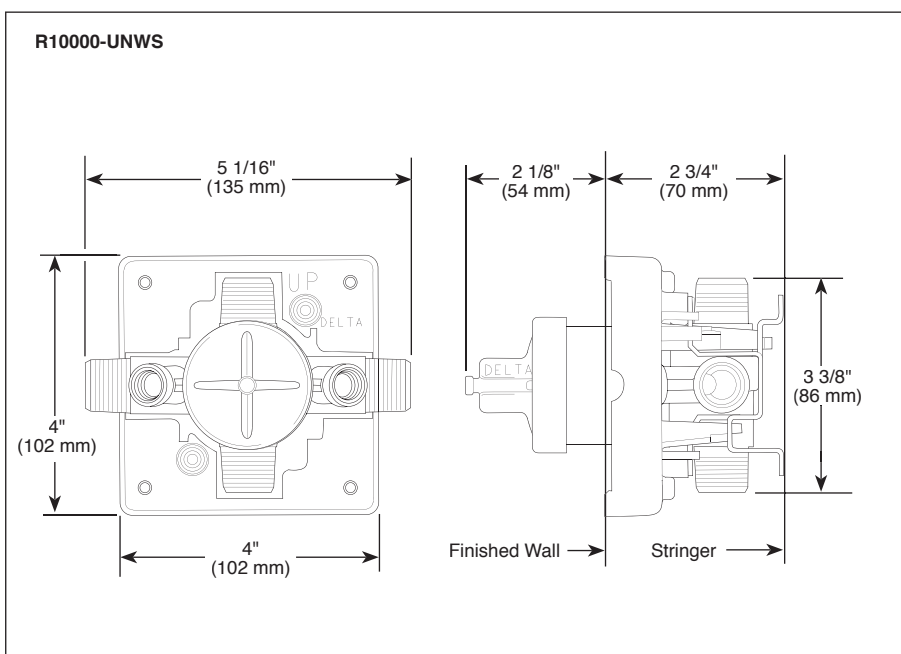
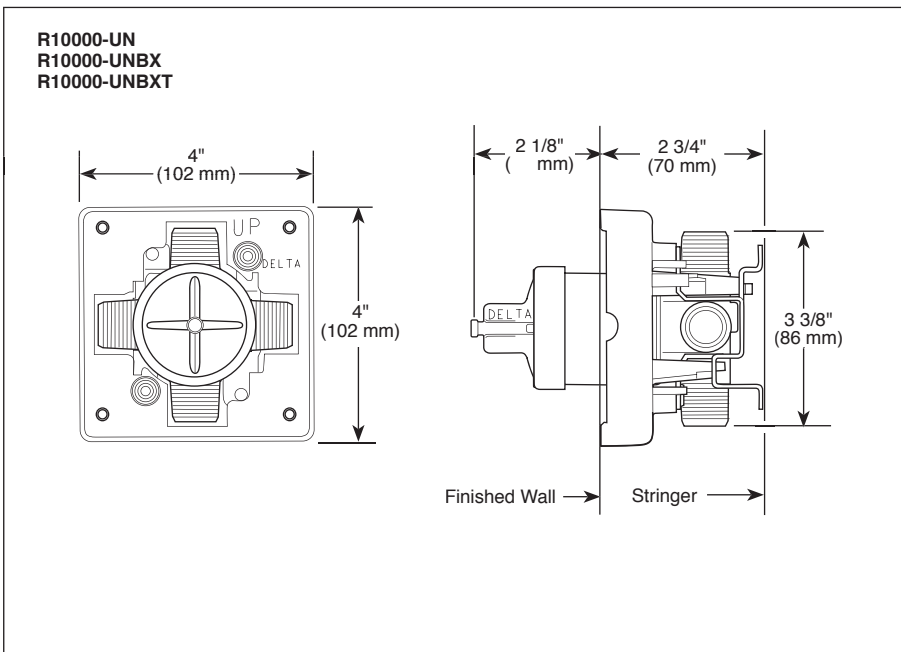


55 E. 111th Street, Indianapolis, Indiana 46280  
395 Matheson Blvd. E., Mississauga, ON L4Z 2H2  
© 2007 Masco Corporation of Indiana



Submitted Model No.: \_\_\_\_\_

Specific Features: \_\_\_\_\_



Delta reserves the right (1) to make changes in specifications and materials, and (2) to change or discontinue models, both without notice or obligation. Dimensions are for reference only. See current full-line price book or [www.specselect.com](http://www.specselect.com) for finish options and product availability.