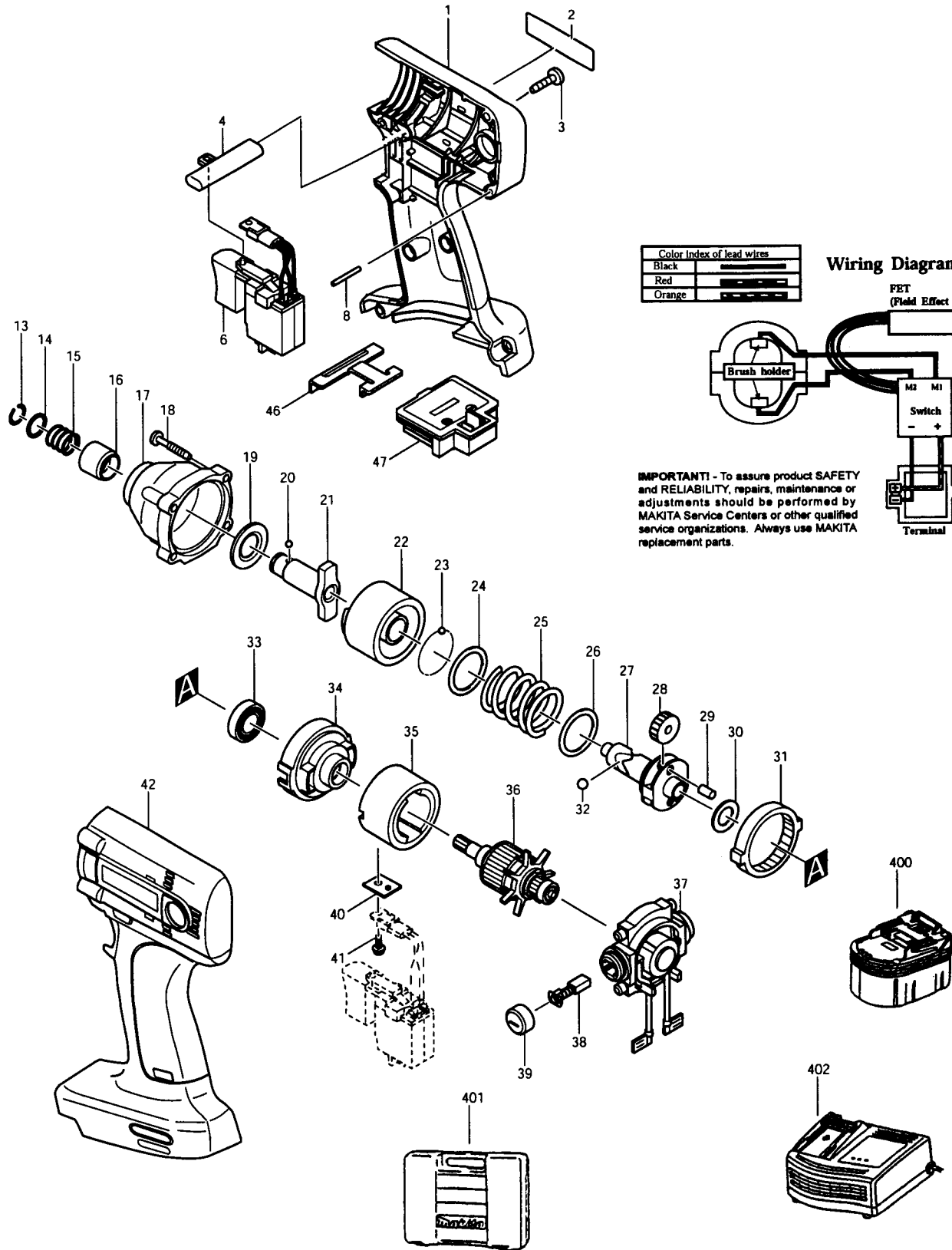


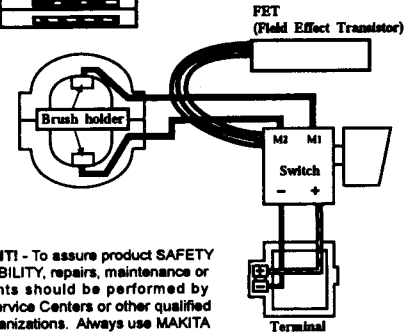


CORDLESS IMPACT DRIVER BTD120SA



Color Index of lead wires	
Black	—
Red	—
Orange	—

Wiring Diagram



IMPORTANT! - To assure product SAFETY and RELIABILITY, repairs, maintenance or adjustments should be performed by MAKITA Service Centers or other qualified service organizations. Always use MAKITA replacement parts.

Fig.	Part No.	Qty. Used	DESCRIPTION	Fig.	Part No.	Qty. Used	DESCRIPTION
1	183347-8	1	HOUSING SET (Incl.Fig. 42)	30	267212-0	1	FLAT WASHER 12
2	853040-5	1	NAME PLATE BTD120	31	227001-5	1	INTERNAL GEAR 51
3	265995-6	7	TAPPING SCREW 4X18	32	216011-7	2	STEEL BALL 5.6
4	416079-5	1	F/R CHANGE LEVER	33	211140-1	1	BALL BEARING 6901LLB
6	650507-2	1	SWITCH	34	417269-3	1	INTERNAL GEAR CASE
8	256176-3	1	PIN 2.5	35	632964-6	1	YOKE UNIT
13	231951-8	1	RING SPRING 11	36	619057-6	1	ARMATURE
14	267085-1	1	FLAT WASHER 12	37	632969-6	1	ENDBELL COMPLETE
15	233005-7	1	COMPRESSION SPRING 13				(Incl. 2ea. RECEPTACLE 654069-2)
16	322434-0	1	SLEEVE	38	191975-5	1	CARBON BRUSH SET CB-431
17	151947-2	1	HAMMMER CASE COMPLETE	39	643933-2	2	BRUSH HOLDER CAP
18	265999-8	4	TAPPING SCREW 4X25	40	689096-0	1	FET SPACER
19	261108-7	1	NYLON WASHER 14	41	266170-7	1	TAPPING SCREW ST3X8
20	216001-0	2	STEEL BALL 3.5	42	183347-8	1	HOUSING SET (Incl.Fig. 1)
21	324013-0	1	ANVIL	46	344898-8	1	SUPPORT PLATE
22	323996-1	1	HAMMER	47	643955-2	1	TERMINAL
23	216001-0	25	STEEL BALL 3.5				
24	267175-0	1	FLAT WASHER 24				ACCESSORIES
25	233276-6	1	COMPRESSION SPRING 25	400	193346-2	1	BATTERY BH1220
26	267175-0	1	FLAT WASHER 24	401	824632-7	1	PLASTIC CARRYING CASE
27	323994-5	1	SPINDLE				(Incl. 2ea.LATCH 417075-6)
28	226336-1	2	SPUR GEAR 22	402	DC14SA	1	CHARGER DC14SA
29	256253-1	2	PIN 5				

2 MODEL BTD120SA

04-01