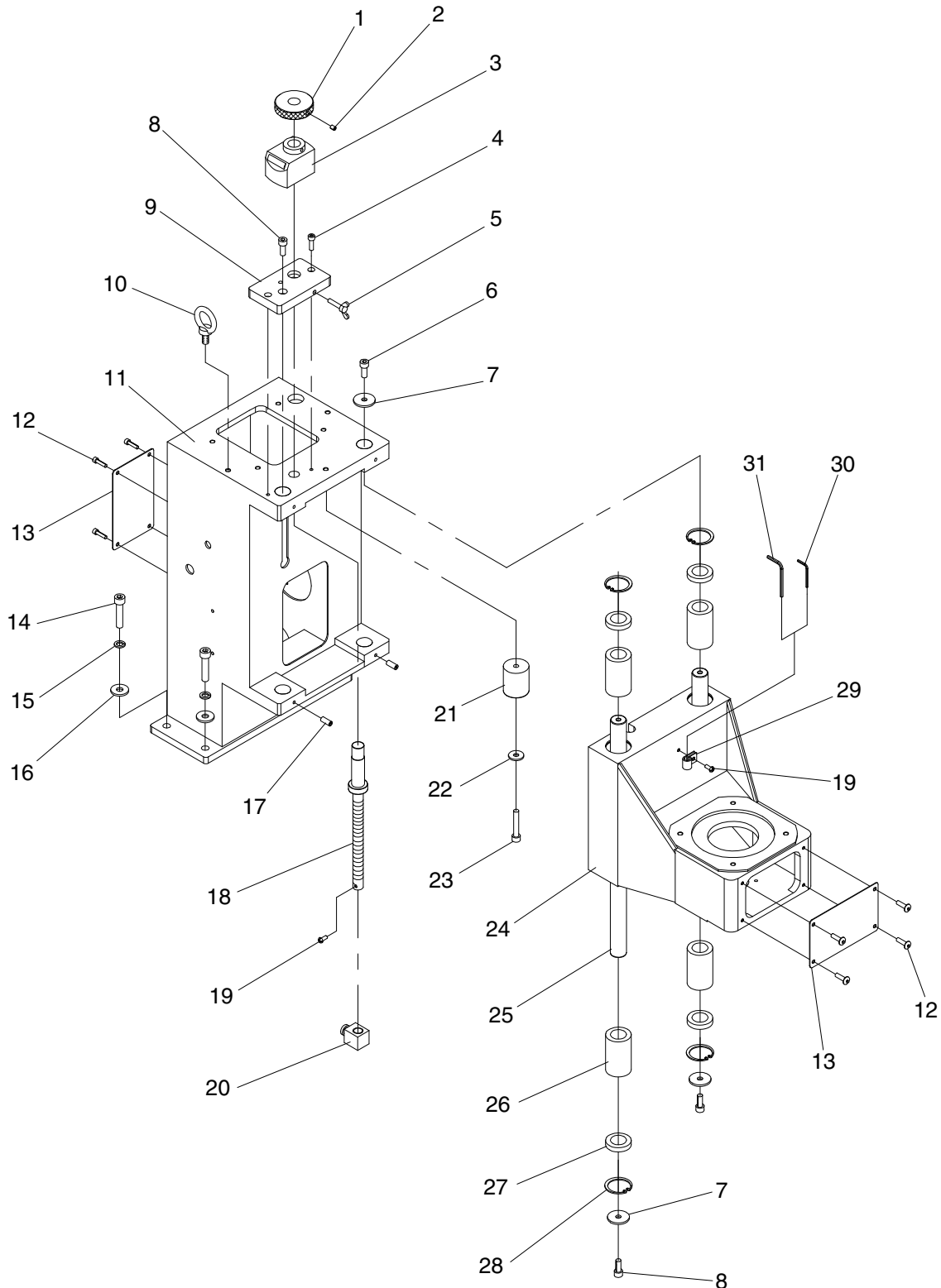


SECTION 8: PARTS

Column Breakdown



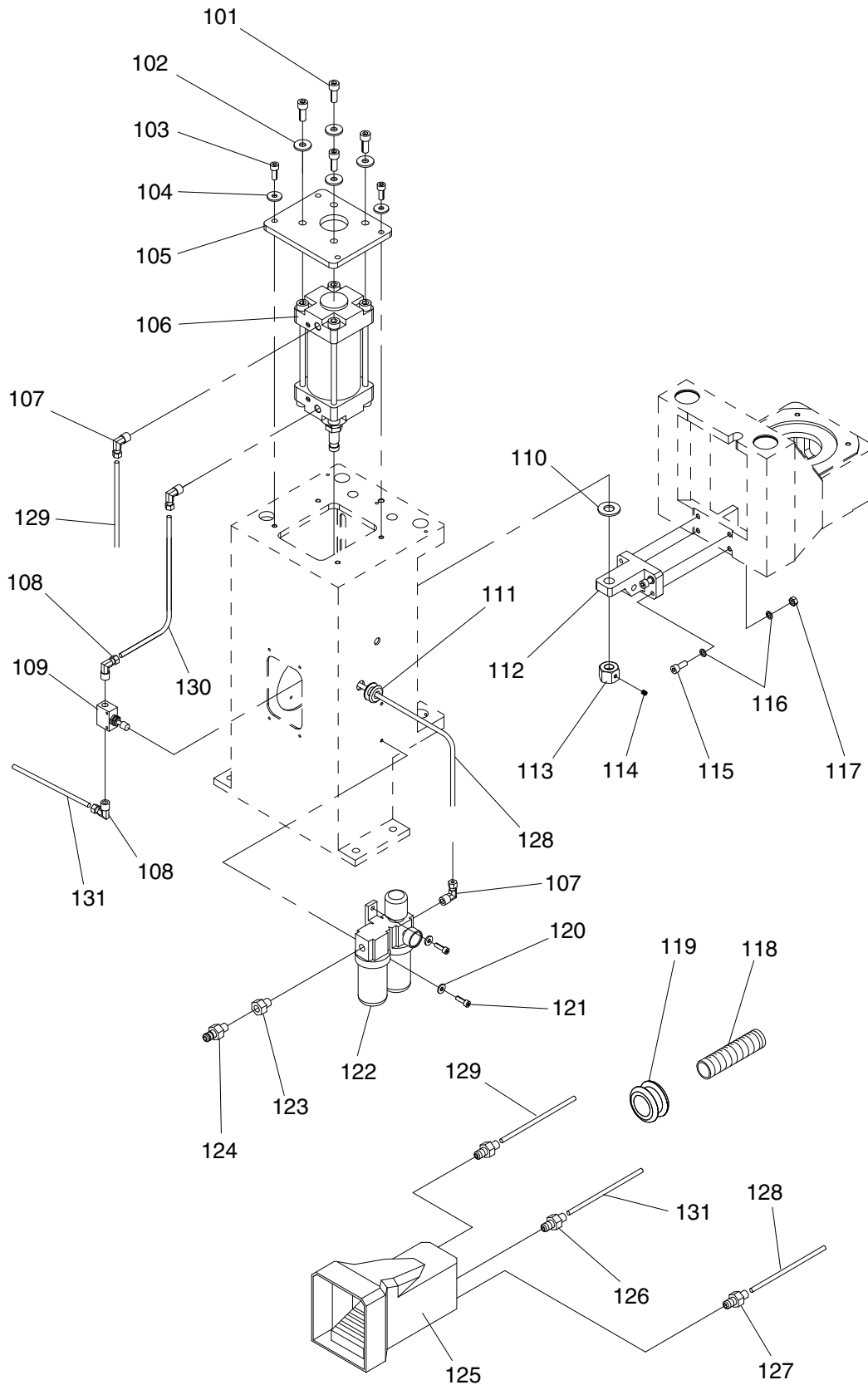
Column Parts List

REF	PART #	DESCRIPTION
1	P0643001	KNURLED KNOB
2	PSS01M	SET SCREW M6-1 X 10
3	P0643003	DEPTH CONTROL
4	PSB02M	CAP SCREW M6-1 X 20
5	P0643005	WING SCREW M6-1 X 35
6	PSB11M	CAP SCREW M8-1 X 16
7	PW01M	FLAT WASHER 8MM
8	PSB14M	CAP SCREW M8-1.25 X 20
9	P0643009	DEPTH CONTROL MOUNT
10	P0643010	LIFTING EYE BOLT
11	P0643011	COLUMN
12	PSB33M	CAP SCREW M5-.8 X 12
13	P0643013	COVER
14	PSB72M	CAP SCREW M10-1.5 X 30
15	PLW06M	LOCK WASHER 10MM
16	PW04M	FLAT WASHER 10MM

REF	PART #	DESCRIPTION
17	PSS16M	SET SCREW M8-1.25 X 10
18	P0643018	HEADSTOCK LEAD SCREW
19	PS08M	PHLP HD SCR M5-.8 X 12
20	P0643020	DEPTH STOP
21	P0643021	BUMPER
22	PW01M	FLAT WASHER 8MM
23	PSB05M	CAP SCREW M8-1.25 X 50
24	P0643024	HEADSTOCK
25	P0643025	HEADSTOCK WAY
26	P0643026	BUSHING
27	P0643027	SEAL
28	PR23M	INT RETAINING RING 40MM
29	P0643029	CABLE CLAMP
30	PAW02.5M	HEX WRENCH 2.5MM
31	PAW06M	HEX WRENCH 6MM



Air System Breakdown



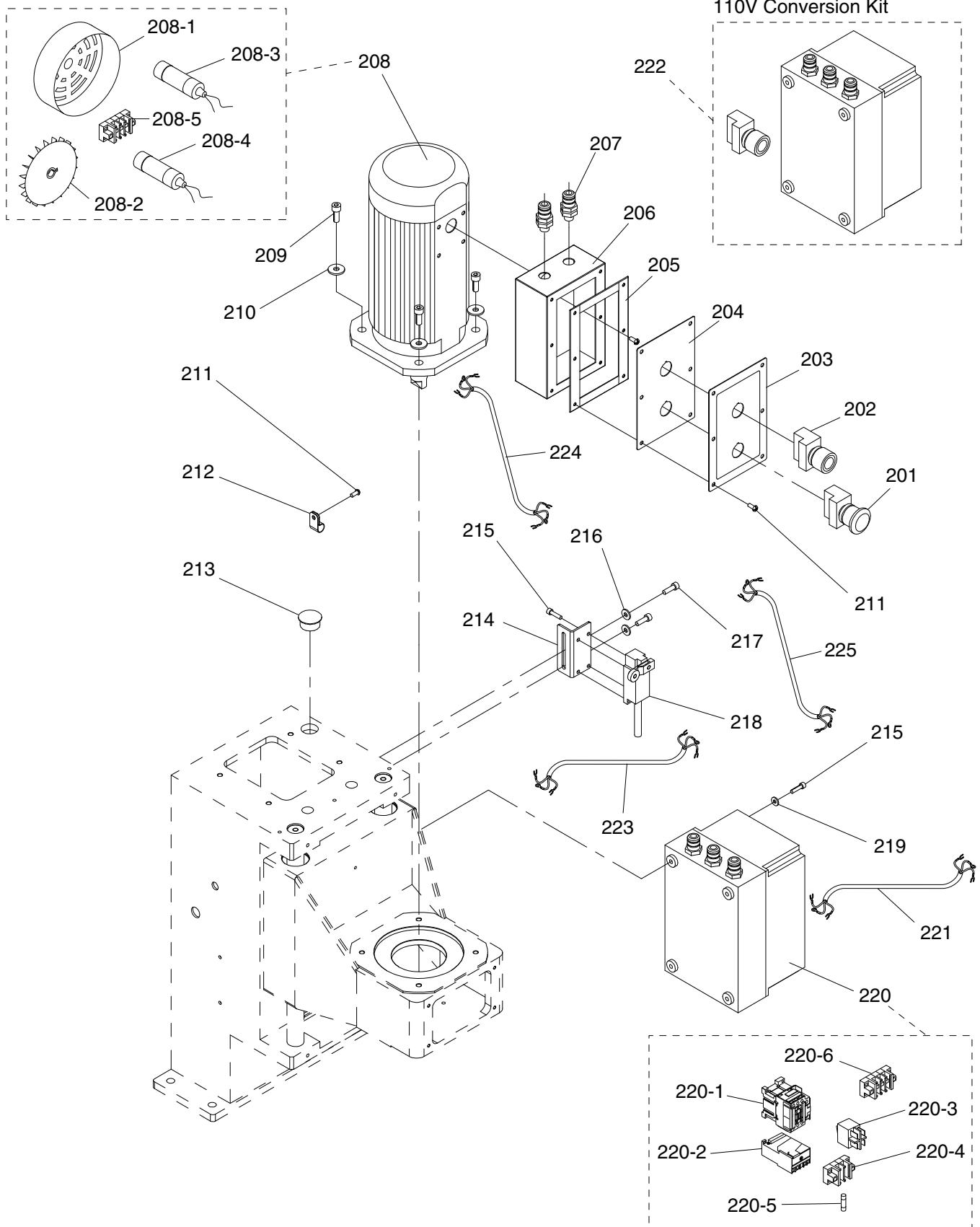
Air System Parts List

REF	PART #	DESCRIPTION
101	PSB84M	CAP SCREW M10-1.5 X 35
102	PW04M	FLAT WASHER 10MM
103	PSB14M	CAP SCREW M8-1.25 X 20
104	PW01M	FLAT WASHER 8MM
105	P0643105	AIR CYLINDER COVER
106	P0643106	AIR CYLINDER ASSY
107	P0643107	PIPE ELBOW MALE 3/8" X 8MM
108	P0643108	PIPE ELBOW MALE 3/8" X 6MM
109	P0643109	AIR PRESSURE VALVE
110	PW08M	FLAT WASHER 16MM
111	P0643111	RUBBER GROMMET
112	P0643112	HEADSTOCK MOUNT
113	P0643113	THREADED LOCK COLLAR
114	PSS01M	SET SCREW M6-1 X 10
115	PSB12M	CAP SCREW M8-1.25 X 40
116	PLW04M	LOCK WASHER 8MM

REF	PART #	DESCRIPTION
117	PN03M	HEX NUT M8-1.25
118	P0643118	PU TUBE 1/2" X 2500MM
119	P0643119	RUBBER SLEEVE
120	PW03M	FLAT WASHER 6MM
121	PSB01M	CAP SCREW M6-1 X 16
122	P0643122	AIR REGULATOR/LUBRICATOR ASSY
123	P0643123	PIPE REDUCER 3/8" X 1/4"
124	P0643124	AIR INLET CONNECTOR 1/4 NPT
125	P0643125	FOOT SWITCH ASSY
126	P0643126	PIPE UNION MALE 1/4" X 6MM
127	P0643127	PIPE UNION MALE 1/4" X 8MM
128	P0643128	PU TUBE 5 X 8 X 3150MM
129	P0643129	PU TUBE 5 X 8 X 3090MM
130	P0643130	PU TUBE 4 X 6 X 800MM
131	P0643131	PU TUBE 4 X 6 X 2950MM



Electrical System Breakdown



Electrical System Parts List

REF	PART #	DESCRIPTION
201	P0643201	OFF BUTTON
202	P0643202	ON BUTTON W/ LAMP 220V
203	P0643203	SWITCH PANEL LABEL
204	P0643204	SWITCH PANEL
205	P0643205	RUBBER GASKET
206	P0643206	SWITCH BOX
207	P0643207	STRAIN RELIEF
208	P0643208	MOTOR 2HP 110/220V 1-PH
208-1	P0643208-1	MOTOR FAN COVER
208-2	P0643208-2	MOTOR FAN
208-3	P0643208-3	S CAPACITOR 300M 125V 1.38 X 2.75
208-4	P0643208-4	R CAPACITOR 50M 250V 1.5 X 2.38
208-5	P0643208-5	TERMINAL BLOCK 3 POLE
209	PSB13M	CAP SCREW M8-1.25 X 30
210	PW01M	FLAT WASHER 8MM
211	PS08M	PHLP HD SCR M5-.8 X 12
212	P0643212	CABLE CLAMP
213	P0643213	PLASTIC PLUG

REF	PART #	DESCRIPTION
214	P0643214	LIMIT SWITCH BRACKET
215	PSB50M	CAP SCREW M5-.8 X 10
216	PW03M	FLAT WASHER 6MM
217	PSB01M	CAP SCREW M6-1 X 16
218	P0643218	LIMIT SWITCH
219	PW02M	FLAT WASHER 5MM
220	P0643220	ELECTRICAL BOX 220V
220-1	P0643220-1	CONTACTOR TEC CN18 220V
220-2	P0643220-2	OL RELAY TEC RHN-10K 8.5-12.5
220-3	P0643220-3	RELAY 5A 220VAC
220-4	P0643220-4	FUSE HOLDER
220-5	P0643220-5	FUSE 5A
220-6	P0643220-6	TERMINAL BLOCK 6 POLE
221	P0643221	POWER CABLE
222	P0643222	110V CONVERSION KIT
223	P0643223	LIMIT SWITCH CABLE
224	P0643224	MOTOR POWER CABLE
225	P0643225	SWITCH BOX CABLE



Table Breakdown

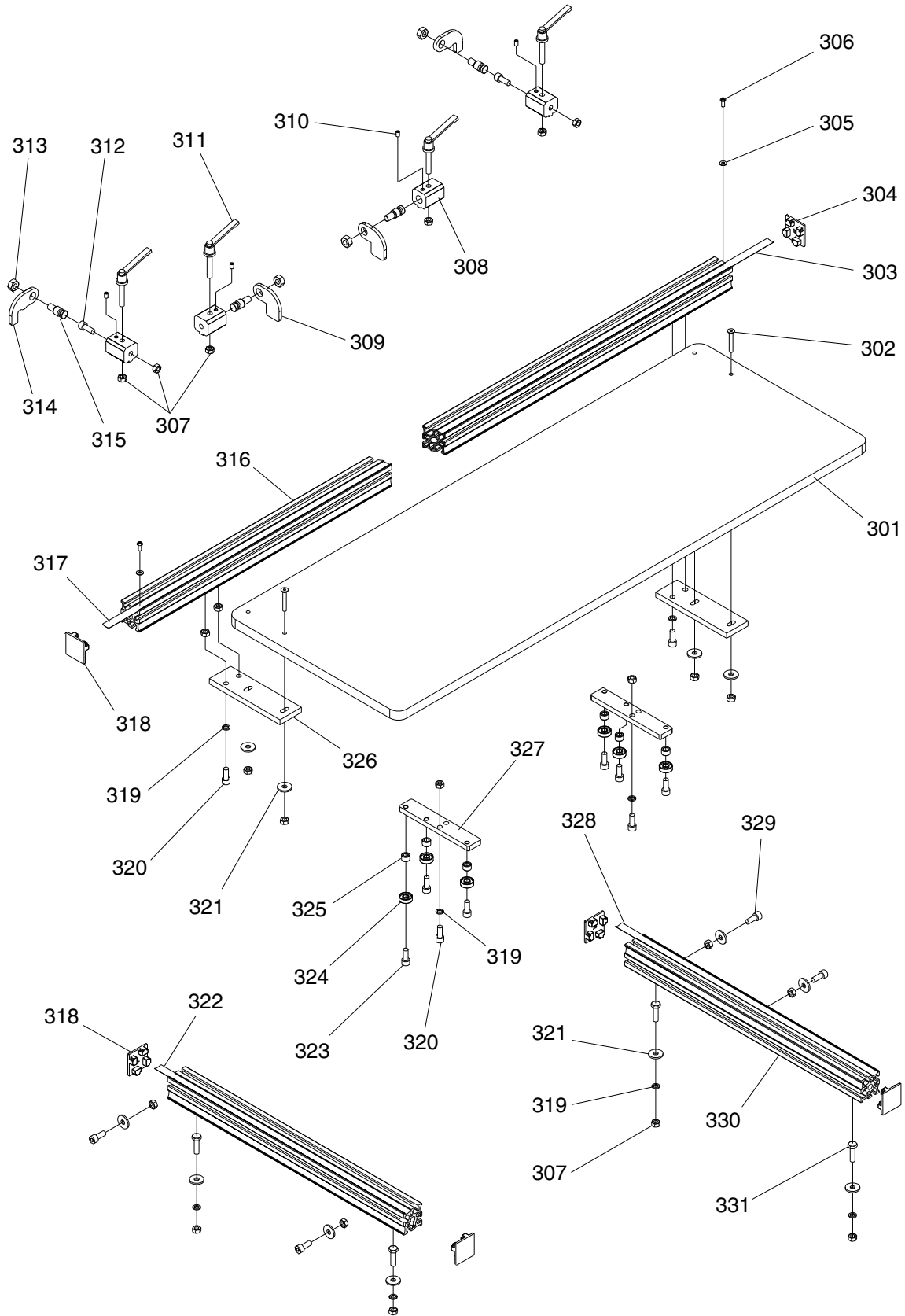


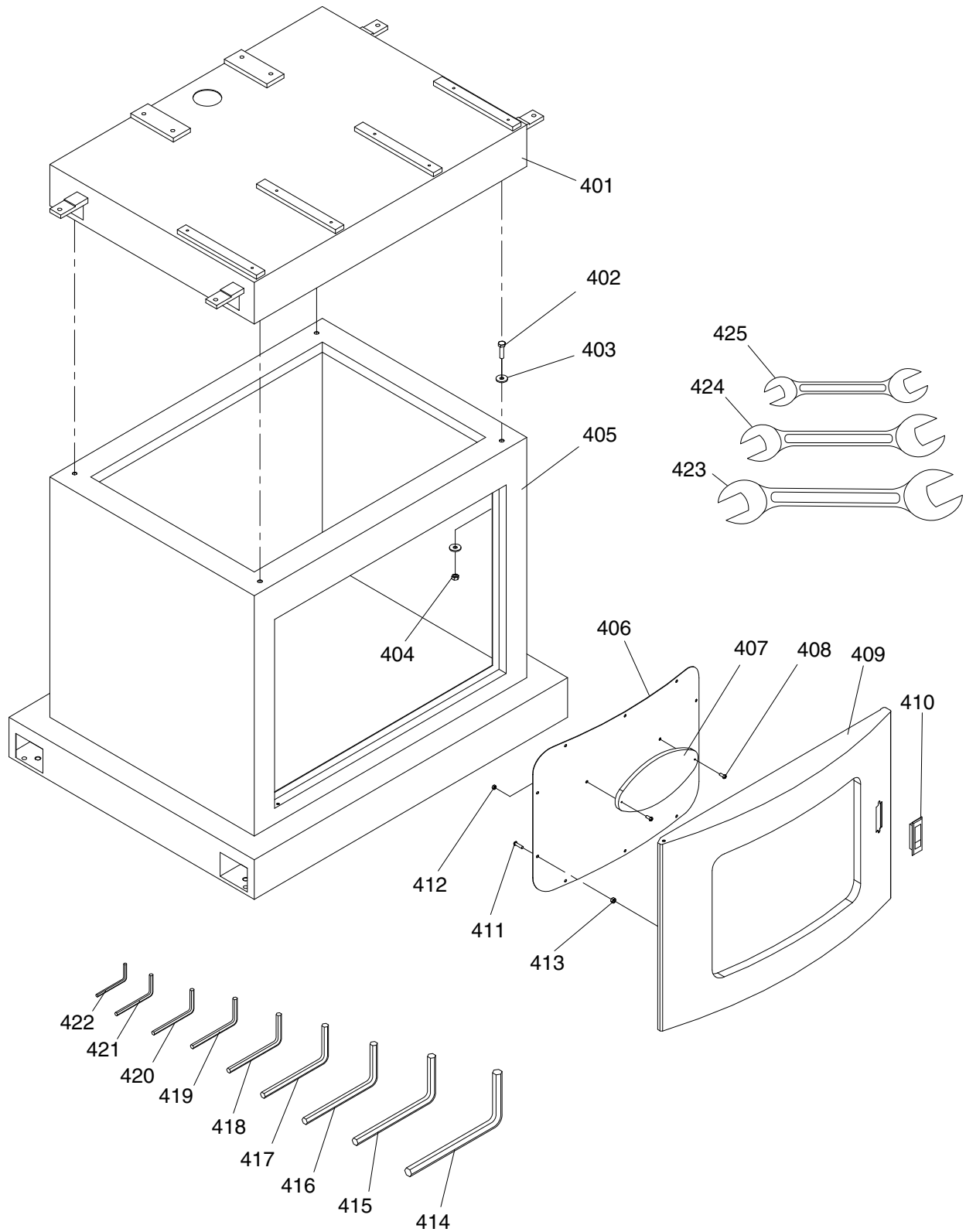
Table Parts List

REF	PART #	DESCRIPTION
301	P0643301	TABLE
302	PFH36M	FLAT HD SCR M8-1.25 X 35
303	P0643303	SCALE RIGHT REAR
304	P0643304	RAIL PLUG RIGHT
305	PW02M	FLAT WASHER 5MM
306	PS08M	PHLP HD SCR M5-.8 X 12
307	PN03M	HEX NUT M8-1.25
308	P0643308	BRACKET
309	P0643309	LONGITUDINAL STOP PLATE
310	PSS99M	SET SCREW M6-1 X 5
311	P0643311	LOCK HANDLE
312	PSB11M	CAP SCREW M8-1.25 X 16
313	PLN05M	LOCK NUT M10-1.5
314	P0643314	CROSS STOP PLATE
315	P0643315	SPECIAL BOLT
316	P0643316	RAIL REAR

REF	PART #	DESCRIPTION
317	P0643317	SCALE LEFT REAR
318	P0643318	RAIL PLUG LEFT
319	PLW04M	LOCK WASHER 8MM
320	PSB14M	CAP SCREW M8-1.25 X 20
321	PW01M	FLAT WASHER 8MM
322	P0643322	SCALE LEFT SIDE
323	PSB31M	CAP SCREW M8-1.25 X 25
324	P608	BALL BEARING 608ZZ
325	P0643325	BUSHING
326	P0643326	TABLE MOUNT
327	P0643327	RAIL MOUNT
328	P0643328	SCALE RIGHT SIDE
329	PSB58M	CAP SCREW M8-1.25 X 12
330	P0643330	RAIL SIDE
331	PB07M	HEX BOLT M8-1.25 X 25



Cabinet & Tools Breakdown



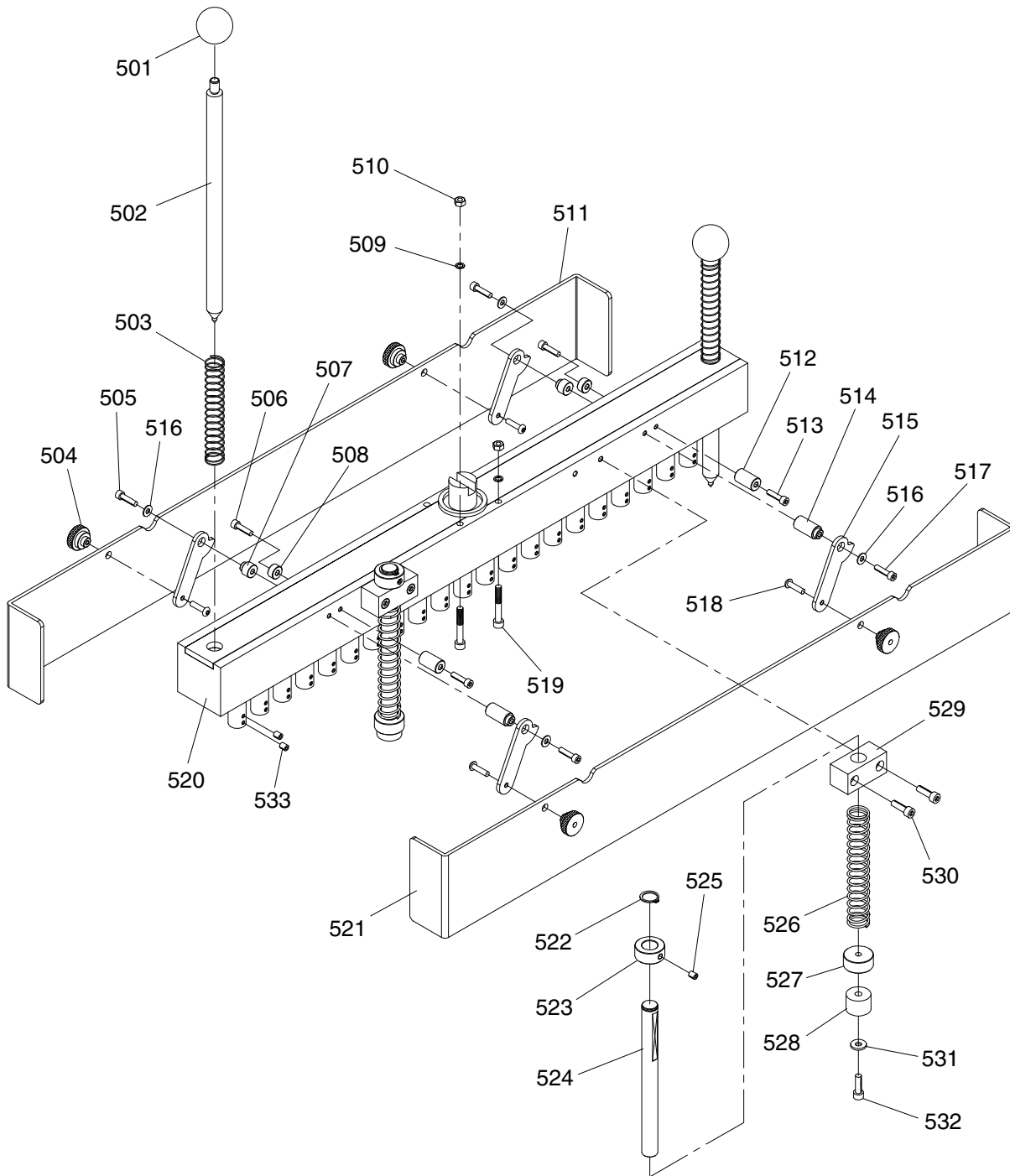
Cabinet & Tools Parts List

REF	PART #	DESCRIPTION
401	P0643401	CABINET TOP
402	PB03M	HEX BOLT M8-1.25 X 16
403	PW01M	FLAT WASHER 8MM
404	PN03M	HEX NUT M8-1.25
405	P0643405	CABINET BASE
406	P0643406	FRONT COVER
407	P0643407	GRIZZLY LOGO
408	PS02M	PHLP HD SCR M4-.7 X 12
409	P0643409	CABINET DOOR
410	P0643410	DOOR LATCH
411	PS08M	PHLP HD SCR M5-.8 X 12
412	PN04M	HEX NUT M4-.7
413	PN06M	HEX NUT M5-.8

REF	PART #	DESCRIPTION
414	PAW10M	HEX WRENCH 10MM
415	PAW08M	HEX WRENCH 8MM
416	PAW06M	HEX WRENCH 6MM
417	PAW05M	HEX WRENCH 5MM
418	PAW04M	HEX WRENCH 4MM
419	PAW03M	HEX WRENCH 3MM
420	PAW02.5M	HEX WRENCH 2.5MM
421	PAW02M	HEX WRENCH 2MM
422	PAW01.5M	HEX WRENCH 1.5MM
423	PWR1719	COMBO WRENCH 17/19MM
424	PWR1214	COMBO WRENCH 12/14MM
425	PWR810	COMBO WRENCH 8/10MM



Boring Head Breakdown



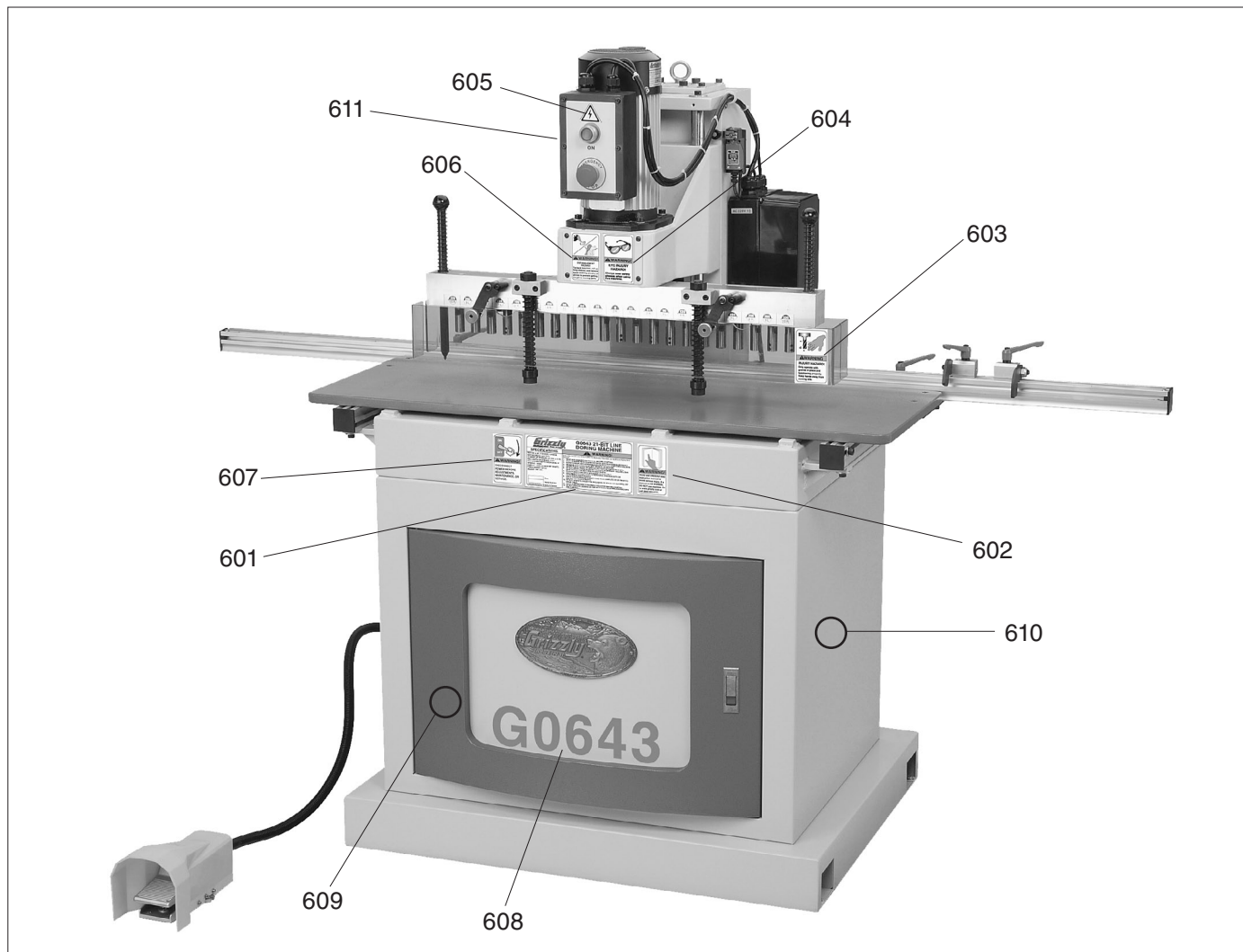
Boring Head Parts List

REF	PART #	DESCRIPTION
501	P0643501	KNOB
502	P0643502	INDEXING PIN
503	P0643503	INDEXING COMPRESSION SPRING
504	P0643504	KNURLED KNOB
505	PSB38M	CAP SCREW M5-.8 X 25
506	PSB24M	CAP SCREW M5-.8 X 16
507	P0643507	GUARD MOUNT BUSHING REAR
508	P0643508	HEAD SPACER REAR
509	PLW03M	LOCK WASHER 6MM
510	PN01M	HEX NUT M6-1
511	P0643511	GUARD REAR
512	P0643512	HEAD SPACER FRONT
513	PSB79M	CAP SCREW M5-.8 X 35
514	P0643514	GUARD MOUNT BUSHING FRONT
515	P0643515	GUARD MOUNT
516	PW02M	FLAT WASHER 5MM
517	PSB109M	CAP SCREW M5-.8 X 50

REF	PART #	DESCRIPTION
518	PSB15M	CAP SCREW M5-.8 X 20
519	PSB167M	CAP SCREW M6-1 X 70
520	P0643520	BORING HEAD ASSY
521	P0643521	GUARD FRONT
522	PR06M	EXT RETAINING RING 16MM
523	P0643523	LOCK COLLAR
524	P0643524	HOLDDOWN SHAFT
525	PSS99M	SET SCREW M6-1 X 5
526	P0643526	HOLDDOWN COMPRESSION SPRING
527	P0643527	COLLAR
528	P0643528	HOLDDOWN PAD
529	P0643529	HOLDDOWN MOUNT
530	PSB07M	CAP SCREW M6-1 X 30
531	PW03M	FLAT WASHER 6MM
532	PSB02M	CAP SCREW M6-1 X 20
533	PSS07M	SET SCREW M5-.8 X 5



Label Placement & List



REF	PART #	DESCRIPTION
601	P0643601	MACHINE ID LABEL
602	PLABEL-12	READ MANUAL LABEL VERT
603	P0643603	HAND INJURY LABEL VERT
604	PLABEL-11	EYE HAZARD LABEL VERT
605	PLABEL-14	ELECTRICITY LABEL
606	P0643606	ENTANGLEMENT LABEL VERT

REF	PART #	DESCRIPTION
607	P0643607	DISCONNECT POWER LABEL VERT
608	P0643608	MODEL NUMBER LABEL
609	PPAINT-1	GRIZZLY GREEN TCH/UP PAINT
610	PPAINT-11	GRIZZLY PUDDY TCH/UP PAINT
611	P0643611	DOWNFEED SPEED LABEL

WARNING

Safety labels warn about machine hazards and ways to prevent injury. The owner of this machine **MUST** maintain the original location and readability of the labels on the machine. If any label is removed or becomes unreadable, **REPLACE** that label before using the machine again. Contact Grizzly at (800) 523-4777 or www.grizzly.com to order new labels.

