



# Illustrated Parts List

## Model Series

# 126600

TYPE NUMBERS  
0100 through 0502.

### TABLE OF CONTENTS

<b>Air Cleaner</b> .....	6
<b>Blower Housing/Shrouds</b> .....	7
<b>Camshaft</b> .....	2
<b>Carburetor</b> .....	4
<b>Controls</b> .....	5
<b>Crankshaft</b> .....	2
<b>Cylinder</b> .....	2
<b>Cylinder Head</b> .....	3
<b>Electric Starter</b> .....	7
<b>Engine Sump</b> .....	2
<b>Exhaust System</b> .....	6
<b>Flywheel</b> .....	7
<b>Flywheel Brake</b> .....	5
<b>Fuel Supply</b> .....	4
<b>Governor Spring</b> .....	5
<b>Ignition</b> .....	5
<b>Lubrication</b> .....	2
<b>Piston Group</b> .....	2
<b>Rewind Starter</b> .....	7



PRINTED IN U.S.A.

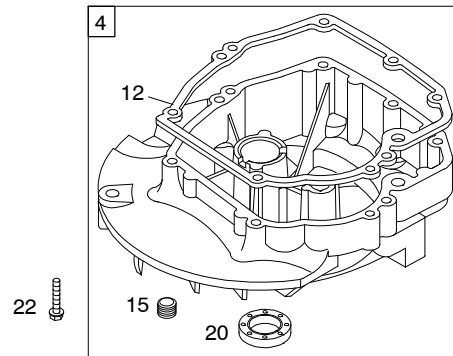
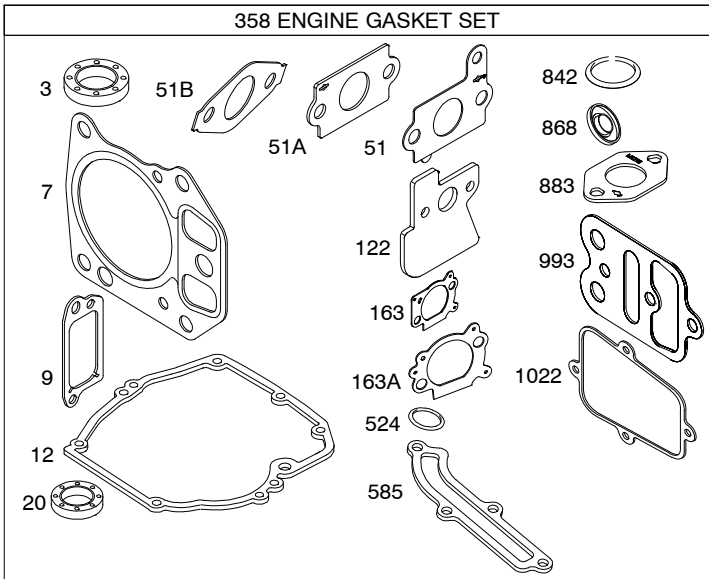
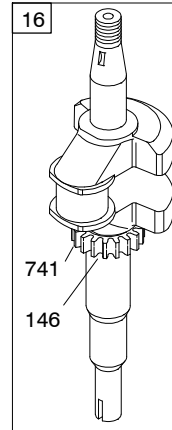
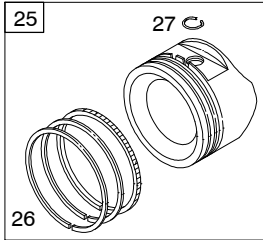
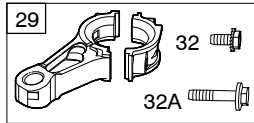
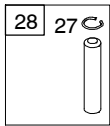
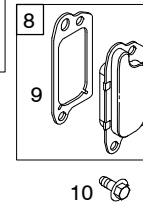
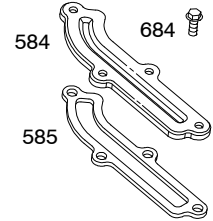
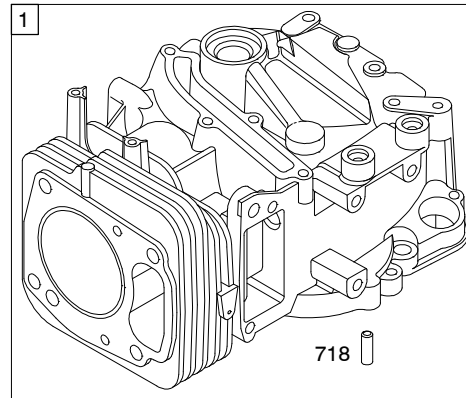
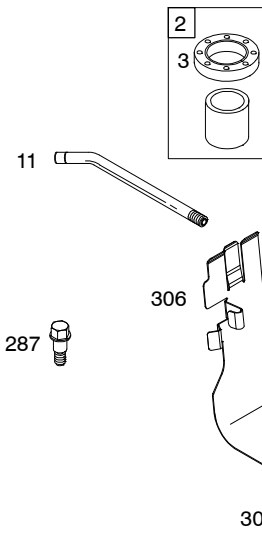
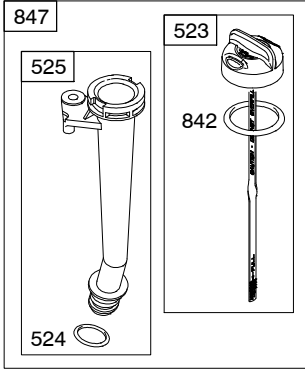
COPYRIGHT by BRIGGS & STRATTON CORPORATION  
All rights reserved. No part of this material may be reproduced or transmitted, in any form or by any means, electronic or mechanical, including photocopying, recording or by any information storage and retrieval system, without permission in writing from Briggs & Stratton Corporation.



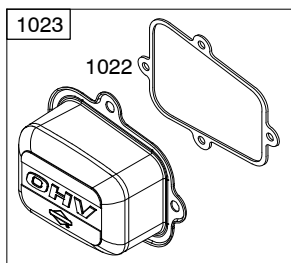
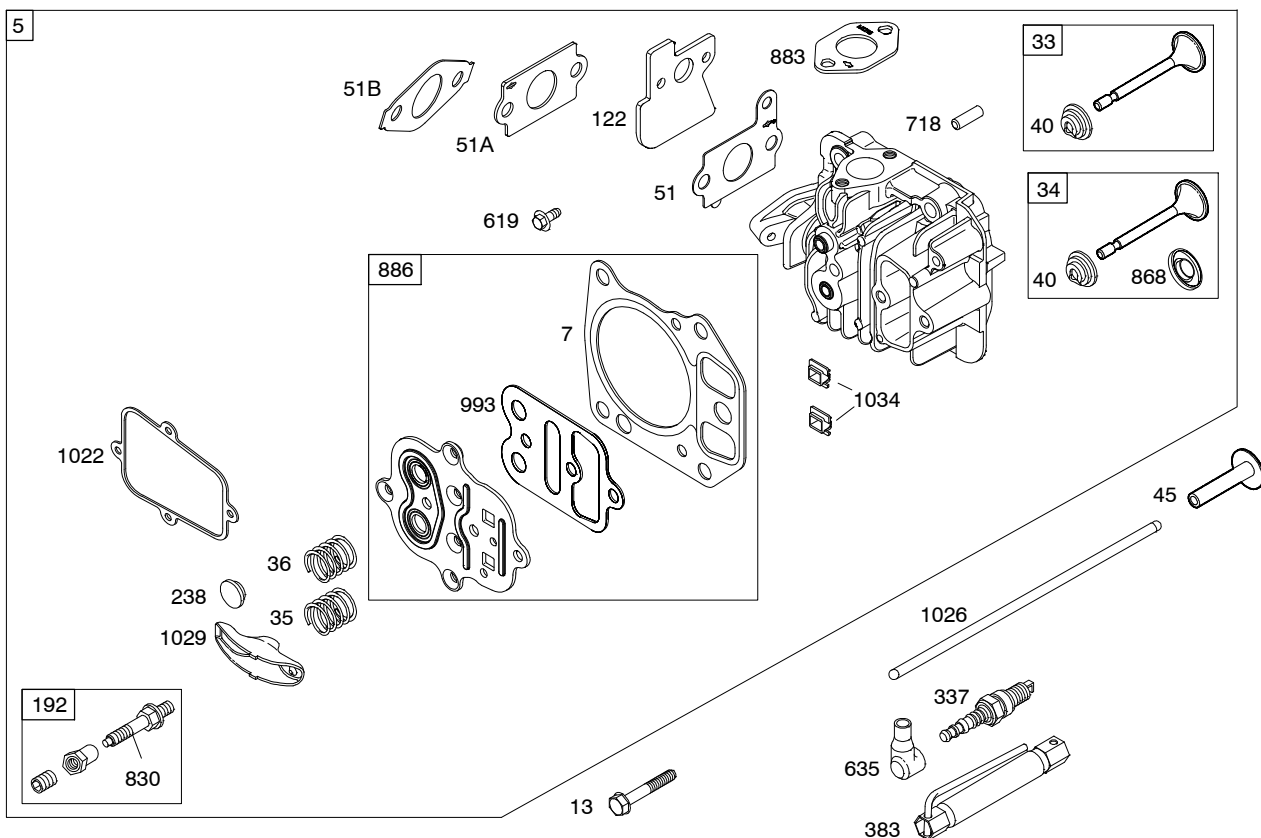
1319 WARNING LABEL

**REQUIRED** when replacing parts with warning labels affixed.

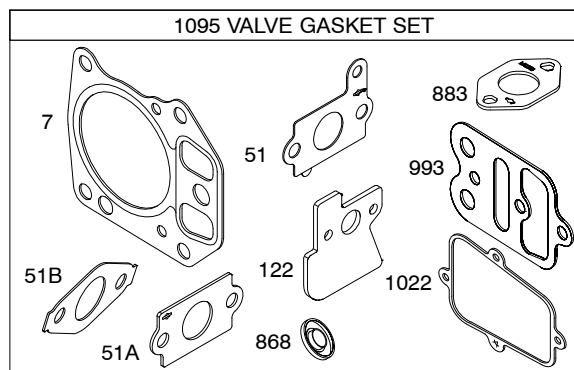
1019 LABEL KIT



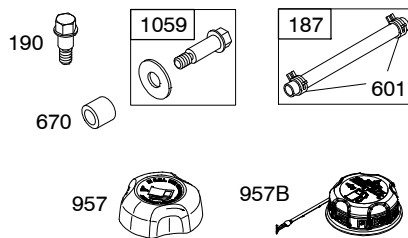
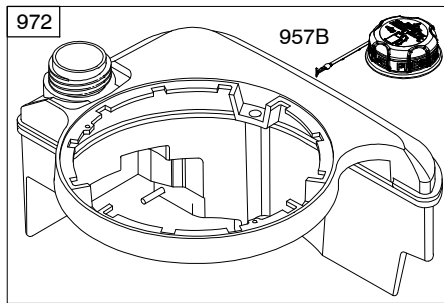
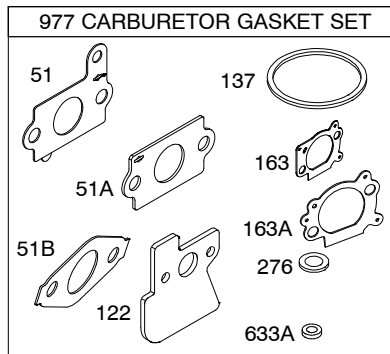
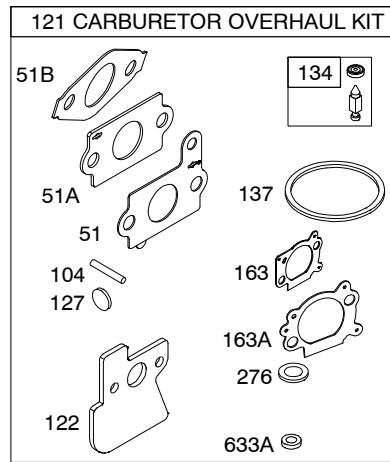
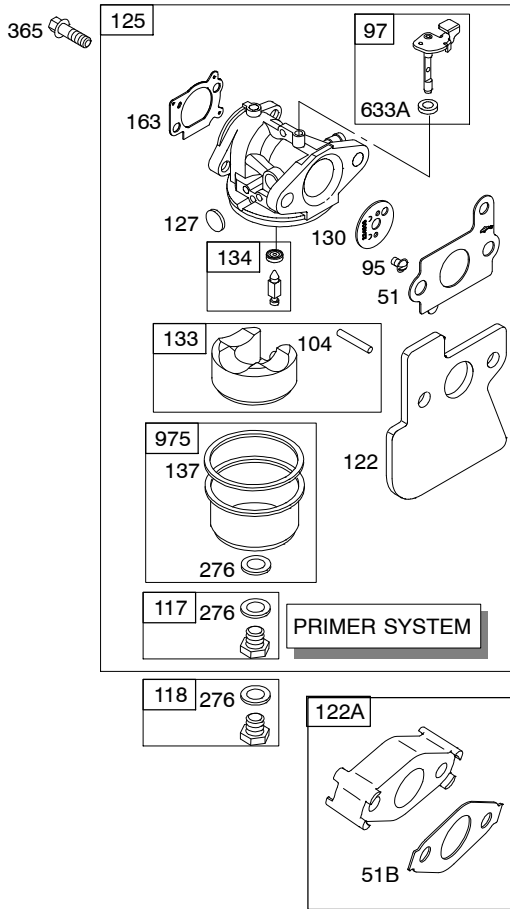
Illustrations cover a range of engines. Parts shown without corresponding text may not be used on your specific engine.  
 6385-2 Assemblies include all parts shown in frames. 05/28/2008



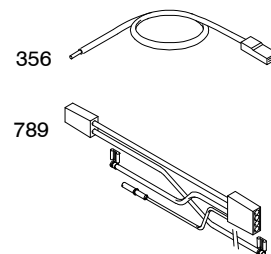
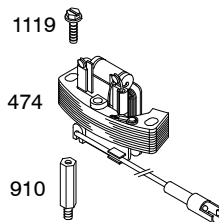
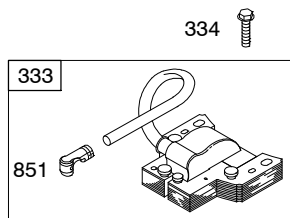
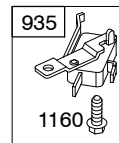
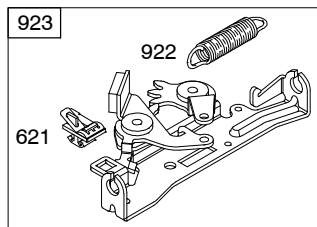
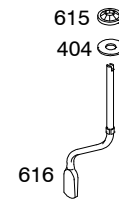
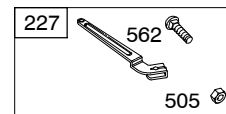
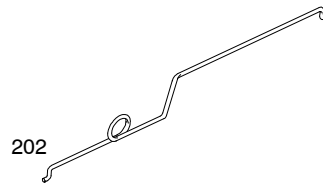
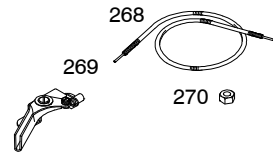
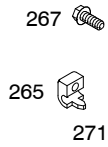
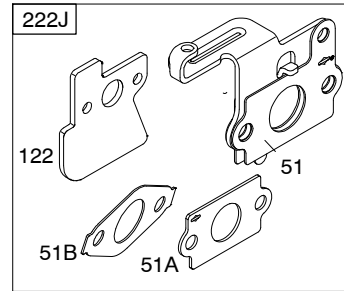
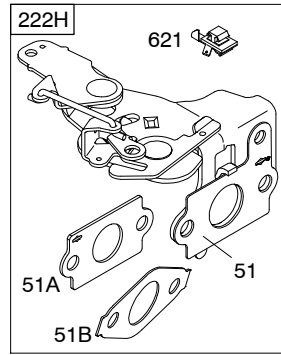
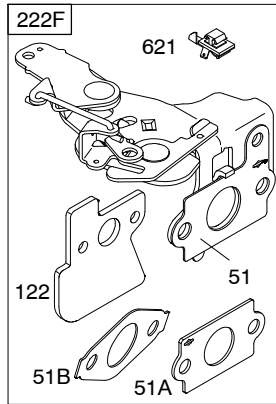
914



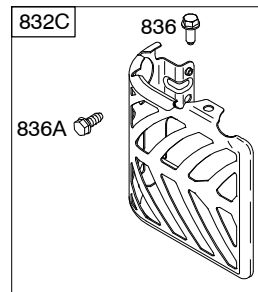
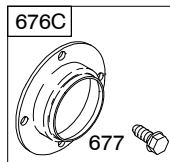
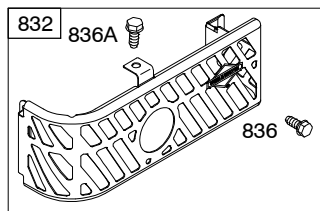
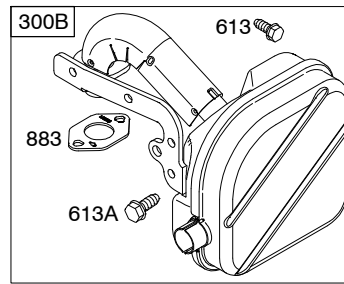
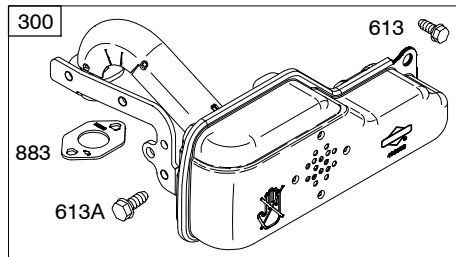
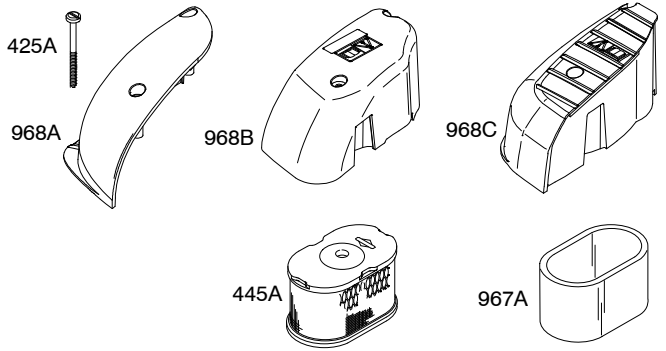
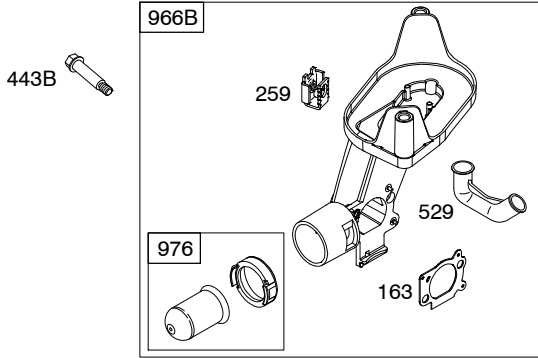
Illustrations cover a range of engines. Parts shown without corresponding text may not be used on your specific engine.



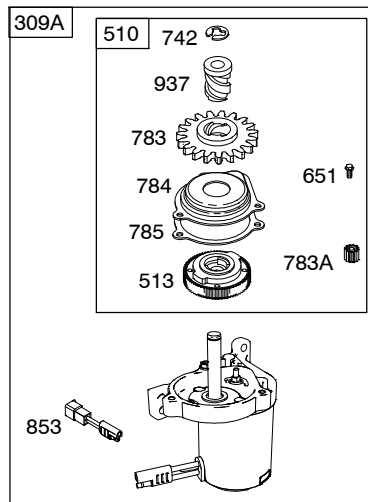
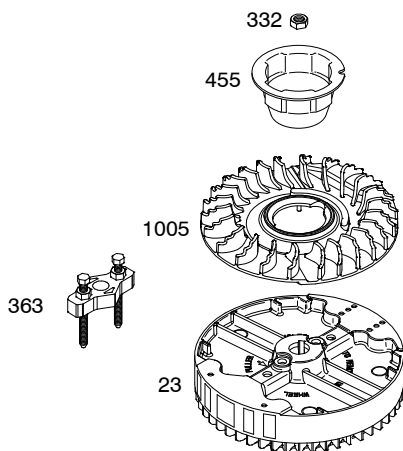
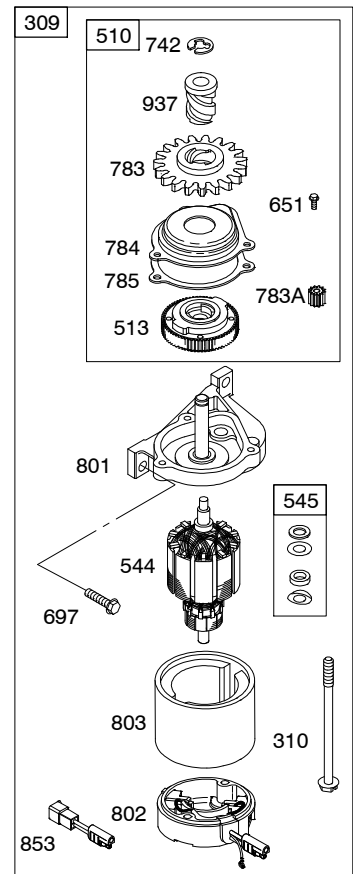
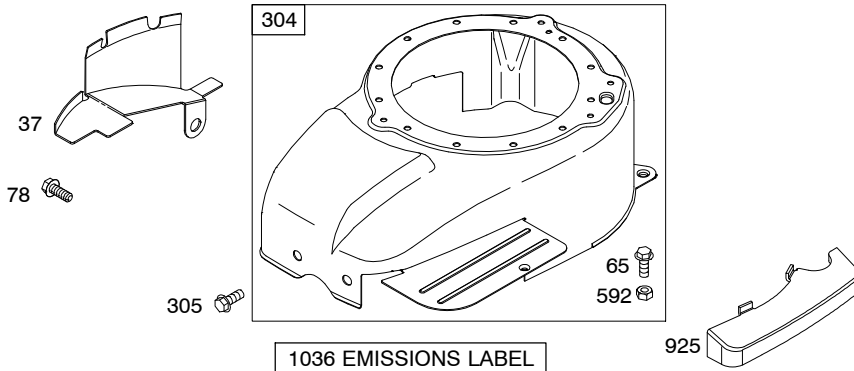
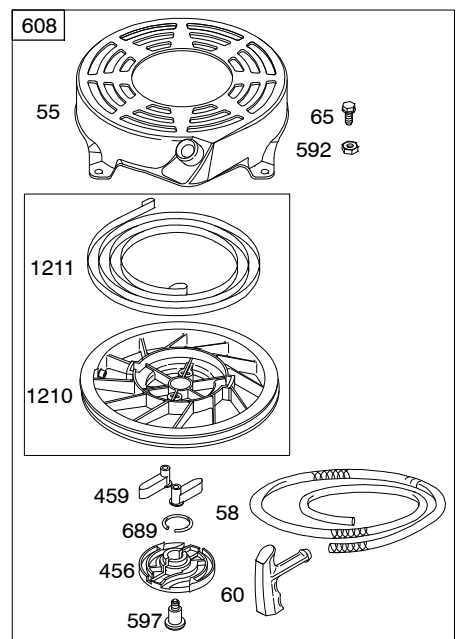
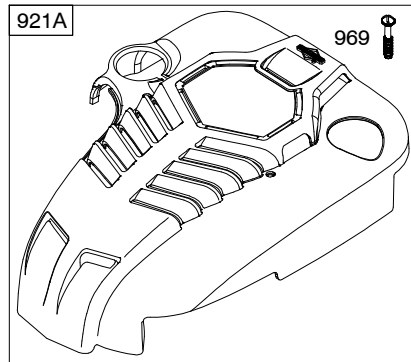
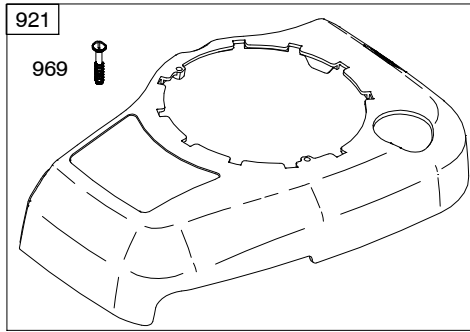
**Illustrations cover a range of engines. Parts shown without corresponding text may not be used on your specific engine.**



Illustrations cover a range of engines. Parts shown without corresponding text may not be used on your specific engine.  
 6385-5 Assemblies include all parts shown in frames. 05/28/2008



**Illustrations cover a range of engines. Parts shown without corresponding text may not be used on your specific engine.**  
**6385-6** Assemblies include all parts shown in frames. **05/28/2008**



Illustrations cover a range of engines. Parts shown without corresponding text may not be used on your specific engine.  
 6385-7 Assemblies include all parts shown in frames. 05/28/2008





REF. NO.	PART NO.	DESCRIPTION	REF. NO.	PART NO.	DESCRIPTION	REF. NO.	PART NO.	DESCRIPTION
37	694086	Guard-Flywheel	121	792383	Kit-Carburetor Overhaul	222F	792398	Bracket-Control (Used After Code Date 05110100).
40	692194	Retainer-Valve	122★◆△	692799	Spacer-Carburetor			Used on Type No(s). 0100, 0113, 0114, 0115, 0118, 0145.
43	691997	Slinger-Governor/Oil	122A	792382	Spacer-Carburetor			----- <b>Note</b> -----
45	690977	Tappet-Valve	125	790120	Carburetor			<b>692617</b> Bracket-Control (Used Before Code Date 05110200).
46	694039	Camshaft	127	694468	Plug-Welch			Used on Type No(s). 0100, 0113, 0114, 0115, 0118, 0145.
51★◆△	692668	Gasket-Intake	130	691203	Valve-Throttle			----- <b>Note</b> -----
51A★◆△	697735	Gasket-Intake			----- <b>Note</b> -----			<b>696564</b> Valve-Throttle (Used With Plastic Throttle Shaft)
51B★◆△	692555	Gasket-Intake			133	398187	Float-Carburetor	Used on Type No(s). 0100, 0113, 0114, 0115, 0118, 0145.
55	691421	Housing-Rewind Starter	134	398188	Kit-Needle/Seat			----- <b>Note</b> -----
58	697316	Rope-Starter (Cut To Required Length)	137	693981	Gasket-Float Bowl			<b>692618</b> Bracket-Control (Used Before Code Date 05110200).
60	281434S	Grip-Starter Rope	146	690979	Key-Timing			Used on Type No(s). 0143, 0158.
65	690837	Screw (Rewind Starter)	163★◆	691894	Gasket-Air Cleaner	222H	792397	Bracket-Control (Used After Code Date 05110100).
78	691108	Screw (Flywheel Guard)	163A★◆	692667	Gasket-Air Cleaner			Used on Type No(s). 0143, 0158.
95	691636	Screw (Throttle Valve)	187	791766	Line-Fuel (Cut to Required Length)			----- <b>Note</b> -----
97	499682	Shaft-Throttle (Metal)	188	691147	Screw (Control Bracket)			<b>692618</b> Bracket-Control (Used Before Code Date 05110200).
		----- <b>Note</b> -----	190	690940	Screw (Fuel Tank)			Used on Type No(s). 0143, 0158.
		<b>790121</b> Shaft-Throttle (Plastic)	192	694543	Adjuster-Rocker Arm			----- <b>Note</b> -----
104	691242	Pin-Float Hinge	202	691303	Link-Mechanical Governor			<b>692618</b> Bracket-Control (Used Before Code Date 05110200).
117	498981	Jet-Main (Standard) (Used After Code Date 03110600).	209A	690319	Spring-Governor	222J	792404	Bracket-Control (Used After Code Date 05110100).
		----- <b>Note</b> -----			----- <b>Note</b> -----			Used on Type No(s). 0100, 0101, 0108, 0109, 0200, 0502.
		<b>498978</b> Jet-Main (Standard) (Used Before Code Date 03110700).			<b>691851</b> Spring-Governor			Used on Type No(s). 0100, 0101, 0108, 0109, 0200, 0502.
118	497466	Jet-Main (High Altitude) (Used After Code Date 03110600).			<b>791156</b> Spring-Governor			Used on Type No(s). 0146.
		----- <b>Note</b> -----			<b>691291</b> Spring-Governor	227	691467	Lever-Governor Control
		<b>498975</b> Jet-Main (High Altitude) (Used Before Code Date 03110700).			Used on Type No(s). 0110, 0113, 0114, 0115, 0116, 0117, 0118, 0135, 0136, 0139, 0145.			<b>238</b> 691300 Cap-Valve
								<b>259</b> 691189 Bracket-Casing Clamp
								<b>265A</b> 690798 Clamp-Casing
								<b>267</b> 691044 Screw (Casing Clamp)
								<b>268</b> 691025 Casing-Control Wire (Cut To Required Length)

★ Included in Engine Gasket Set-Ref. No.358.

● Included in Carburetor Overhaul Kit-Ref. No. 121.

◆ Included in Carburetor Gasket Set-Ref. No. 977.

△ Included in Valve Gasket Set-Ref. No 1095.

**Illustrations cover a range of engines. Parts shown without corresponding text may not be used on your specific engine.**

# 126600

REF. NO.	PART NO.	DESCRIPTION	REF. NO.	PART NO.	DESCRIPTION	REF. NO.	PART NO.	DESCRIPTION		
269	691026	Wire-Control (Cut To Required Length)	363	19069	Puller-Flywheel	597	691696	Screw (Pawl Friction Plate)		
270	691027	Nut (Control Wire Casing)	365	691129	Screw (Carburetor) (Used After Code Date 05110100).	601	791850	Clamp-Hose		
271	691028	Lever-Control				608	497680	Starter-Rewind		
276	♦♦271716	Washer-Sealing				613	691108	Screw (Muffler)		
287	690940	Screw (Dipstick Tube)				613A	691140	Screw (Muffler)		
300	694248	Muffler				615	690340	Retainer-Governor Shaft		
300B	699769	Muffler	383	19374S	Wrench-Spark Plug	616	698801	Crank-Governor		
304	499677	Housing-Blower ----- Note ----- 499676 Housing-Blower Used on Type No(s). 0143, 0158. 695976 Housing-Blower Used on Type No(s). 0116, 0117, 0118, 0139, 0141, 0145, 0157, 0174, 0502.	404	690272	Washer (Governor Crank)	619	691108	Screw (Cylinder Head Plate)		
			425A	690244	Screw (Air Cleaner Cover)	621	692310	Switch-Stop		
			443B	690255	Screw (Air Cleaner Primer Base)	633A♦♦691321		Seal-Choke/Throttle Shaft		
			445A	697029	Filter-Air Cleaner Cartridge	635	66538S	Boot-Spark Plug		
			455	791960	Cup-Flywheel	651	690345	Screw (Starter Gear Cover)		
			456	692299	Plate-Pawl Friction	670	692294	Spacer-Fuel Tank		
			459	281505S	Ratchet-Pawl	676C	497682	Deflector-Muffler		
			474	691991	Alternator	677	690661	Screw (Muffler Deflector)		
305	691108	Screw (Blower Housing)	505	691251	Nut (Governor Control Lever)	684	690345	Screw (Breather Passage Cover)		
306	691232	Shield-Cylinder				689	691855	Spring-Friction		
307	690345	Screw (Cylinder Shield)	510	795093	Drive-Starter	697	691127	Screw (Drive Cap)		
309	695550	Motor-Starter (Used Before Code Date 07052900).	513	692358	Clutch-Drive	718	690959	Pin-Locating		
309A	795092	Motor-Starter (Used After Code Date 07052800).	523	499621	Dipstick	741	794388	Gear-Timing (Use Without Woodruff Key)		
310	692327	Bolt (Starter Motor)	524	★692296	Seal-Dipstick Tube			(Used After Code Date 07093000).		
332	690662	Nut (Flywheel)	525	495265	Tube-Dipstick			----- Note ----- 790345 Gear-Timing (Use Without Woodruff Key)		
333	802574	Armature-Magneto	529	692937	Grommet			(Used Before Code Date 07100100).		
334	691061	Screw (Magneto Armature)	544	690786	Armature-Starter			691830 Gear-Timing (Uses Woodruff Key)		
337	692051	Plug-Spark	545	492919	Washer Set (Starter Motor)			742	93941	Retainer-E Ring
356	692390	Wire-Stop	562	691119	Bolt (Governor Control Lever)					
357	692191	Key-Drive Pulley	584	697734	Cover-Breather Passage					
358	792384	Gasket Set-Engine	585	★691879	Gasket-Breather Passage					
			592	690800	Nut (Rewind Starter)					

★ Included in Engine Gasket Set-Ref. No.358.

● Included in Carburetor Overhaul Kit-Ref. No. 121.

◆ Included in Carburetor Gasket Set-Ref. No. 977.

△ Included in Valve Gasket Set-Ref. No 1095.

**Illustrations cover a range of engines. Parts shown without corresponding text may not be used on your specific engine.**

6385-10

Assemblies include all parts shown in frames.

05/28/2008

REF. NO.	PART NO.	DESCRIPTION	REF. NO.	PART NO.	DESCRIPTION	REF. NO.	PART NO.	DESCRIPTION
745	691648	Screw (Brake)	853	695268	Adapter-Wire	966B	690243	Base-Air Cleaner Primer
783	691918	Gear-Pinion	868	★Δ692044	Seal-Valve ----- <b>Note</b> -----	967A	273356S	Filter-Pre Cleaner
783A	691269	Gear-Pinion			691891 Seal-Valve	968A	691342	Cover-Air Cleaner
784	795095	Cover-Starter Gear			Used on Type No(s). 0108, 0109.	968B	692435	Cover-Air Cleaner
785	692352	Gasket-Starter Cover	883	★Δ691893	Gasket-Exhaust	968C	692692	Cover-Air Cleaner
789	696547	Harness-Wiring (Used After Code Date 00040600). ----- <b>Note</b> -----	886	696268	Gasket Kit-Cylinder Head/Plate	969	691138	Screw (Blower Housing Cover)
		691372 Harness- Wiring (Used Before Code Date 00040700). 696547 Harness- Wiring Used on Type No(s). 0115, 0162.	910	691094	Stud (Alternator)	972	699374	Tank-Fuel (Plastic)
801	690782	Cap-Drive	914	691108	Screw (Rocker Cover)	975	493640	Bowl-Float
802	695267	Cap-End (Used After Code Date 00040600). ----- <b>Note</b> -----	921	692699	Cover-Blower Housing	976	694395	Primer-Carburetor
		695975 Cap-End (Used Before Code Date 00040700).	921A	699633	Cover-Blower Housing	977	792385	Gasket Set-Carburetor
803	695266	Housing-Starter (Used After Code Date 00040600). ----- <b>Note</b> -----	922	691831	Spring-Brake ----- <b>Note</b> -----	993	★Δ694088	Gasket-Cylinder Head Plate
		695975 Housing- Starter (Used Before Code Date 00040700).			692135 Spring-Brake Used on Type No(s). 0116, 0117, 0118, 0139, 0141, 0145, 0157, 0174, 0502.	1005	691346	Fan-Flywheel
830	694544	Stud-Rocker Arm	923	691994	Brake ----- <b>Note</b> -----	1019	695259	Kit-Label
832	691466	Guard-Muffler			695891 Brake Used on Type No(s). 0116, 0117, 0118, 0139, 0141, 0145, 0157, 0174, 0502.	1022	★Δ691890	Gasket-Rocker Cover
832C	695593	Guard-Muffler	925	795403	Cover-Linkage (Used After Code Date 07072200). ----- <b>Note</b> -----	1023	499624	Cover-Rocker
836	691147	Screw (Muffler Guard)			690595 Cover- Linkage (Used Before Code Date 07072300).	1026	692045	Rod-Push
836A	697551	Screw (Muffler Guard)	930A	692675	Guard-Rewind	1029	691230	Arm-Rocker
842	★691031	Seal-O Ring (Dipstick Tube)	930B	692691	Guard-Rewind	1034	691343	Guide-Push Rod Label-Emissions (Available From A Briggs & Statton Authorized Dealer)
847	692047	Dipstick/Tube Assembly	935	499421	Switch-Interlock	1036		
851	493880S	Terminal-Spark Plug	937	691325	Spline-Starter	1058	277102	Operator's Manual
			957	692046	Cap-Fuel Tank (Plastic)	1059	692311	Kit-Screw/Washer
			957B	699985	Cap-Fuel Tank (Plastic)	1095	792386	Gasket Set-Valve
						1119	692979	Screw (Alternator)
						1160	690345	Screw (Interlock Switch)
						1210	498144	Pulley/Spring Assembly (Pulley)
						1211	498144	Pulley/Spring Assembly (Spring)
						1319	794467	Label-Warning
						1330	272147	Manual-Repair

★ Included in Engine Gasket Set-Ref. No.358.

● Included in Carburetor Overhaul Kit-Ref. No. 121.

◆ Included in Carburetor Gasket Set-Ref. No. 977.

Δ Included in Valve Gasket Set-Ref. No 1095.

**Illustrations cover a range of engines. Parts shown without corresponding text may not be used on your specific engine.**