



# Illustrated Parts List

## Model Series

# 12J800

TYPE NUMBERS  
0628 through 6699.

### TABLE OF CONTENTS

Alternator .....	8
Air Cleaner .....	4
Blower Housing/Shrouds .....	6
Camshaft .....	2
Carburetor .....	3
Controls .....	5
Crankshaft .....	2
Cylinder .....	2
Electric Starter .....	8
Electrical .....	8
Engine Sump .....	2
Exhaust System .....	4
Flywheel .....	7
Flywheel Brake .....	8
Fuel Supply .....	5
Governor Spring .....	5
Ignition .....	8
Kits/Gaskets .....	2 & 3
Lubrication .....	2
Piston Group .....	2
Rewind Starter .....	7
Valves .....	2

PRINTED IN U.S.A.



COPYRIGHT by BRIGGS & STRATTON CORPORATION  
All rights reserved. No part of this material may be reproduced or transmitted, in any form or by any means, electronic or mechanical, including photocopying, recording or by any information storage and retrieval system, without permission in writing from Briggs & Stratton Corporation.

# 12J800

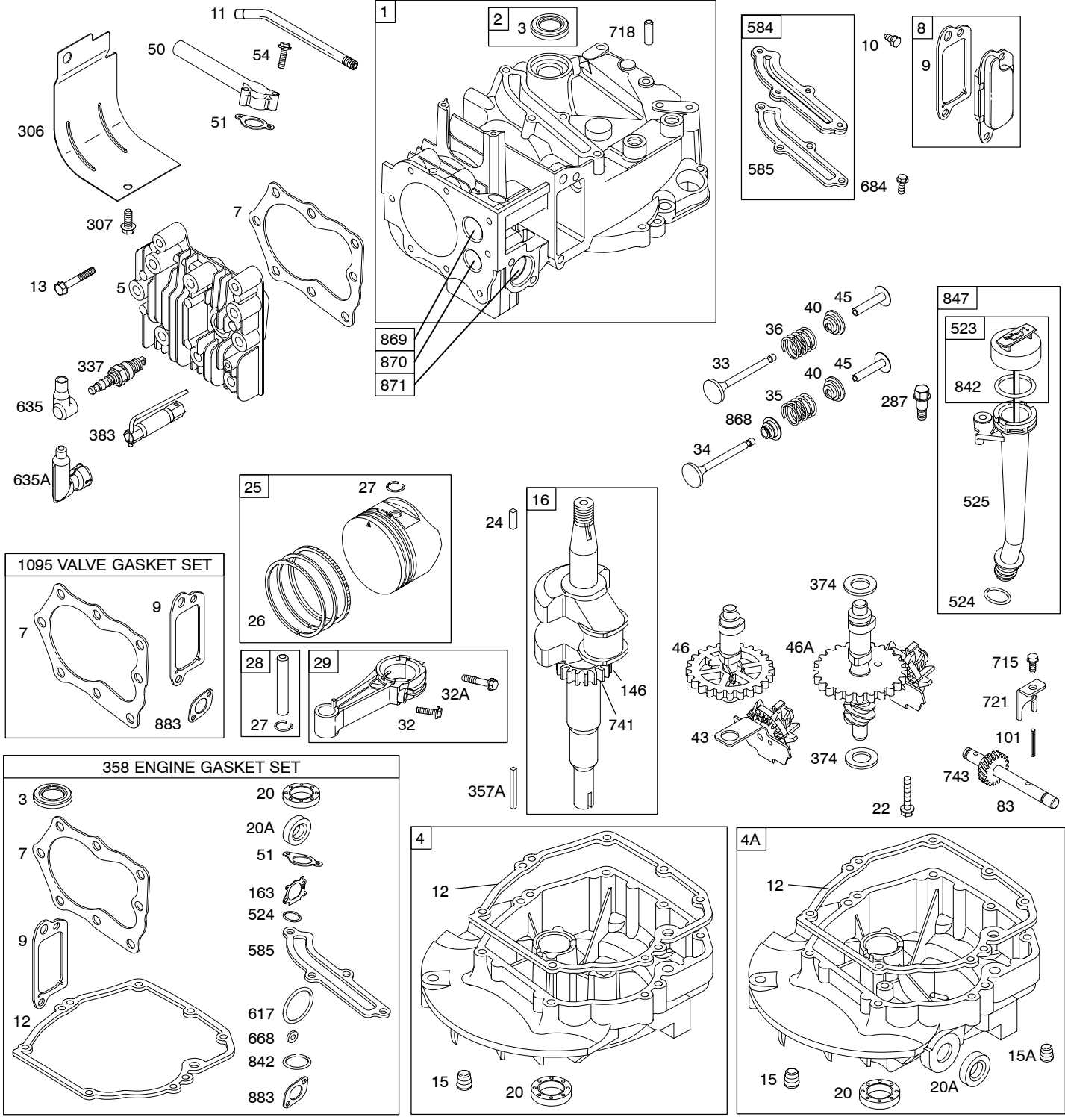
1319 WARNING LABEL

**REQUIRED** when replacing parts with warning labels affixed.

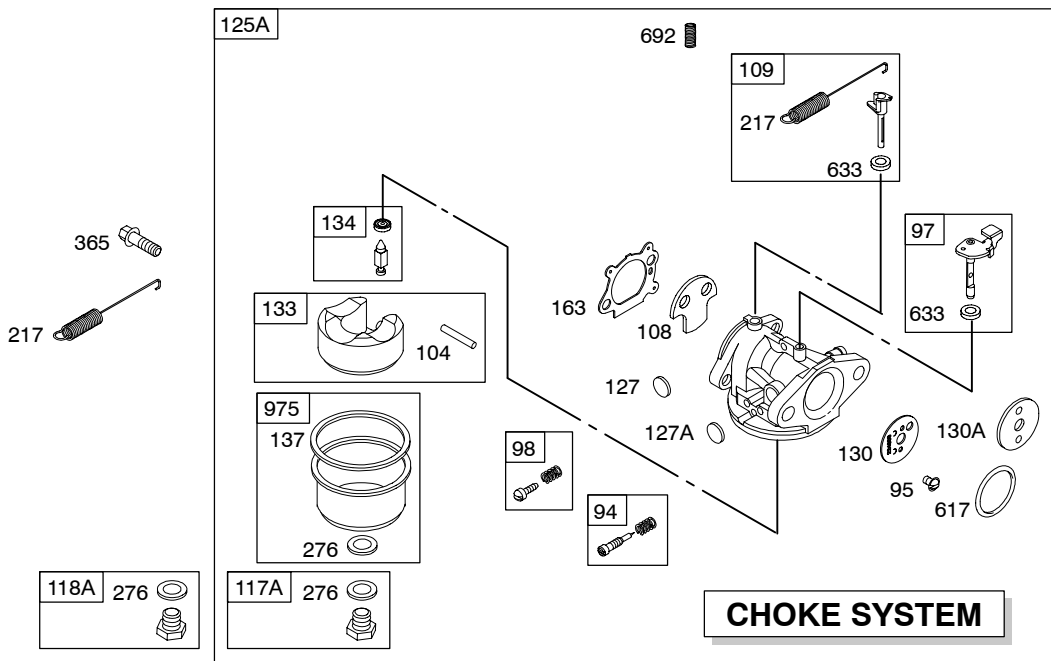
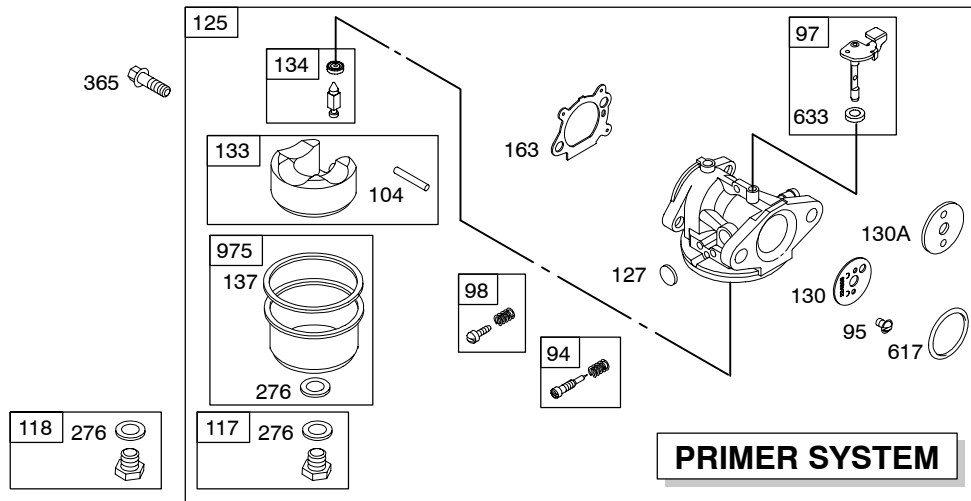
1058 OPERATOR'S MANUAL

1330 REPAIR MANUAL

1019 LABEL KIT



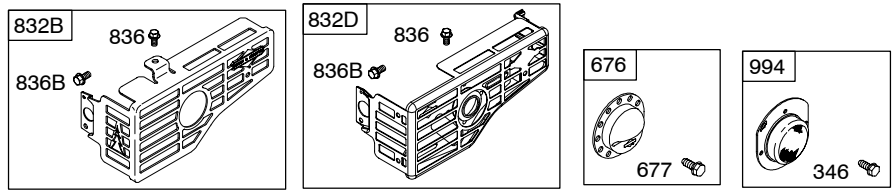
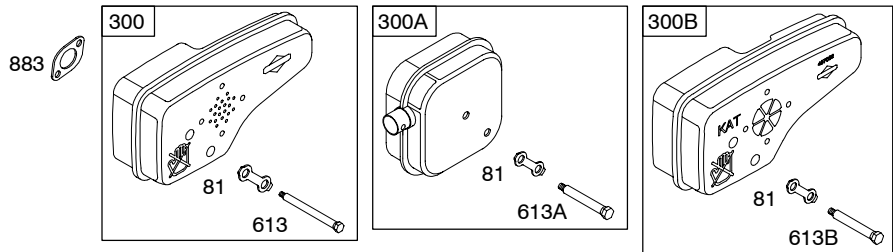
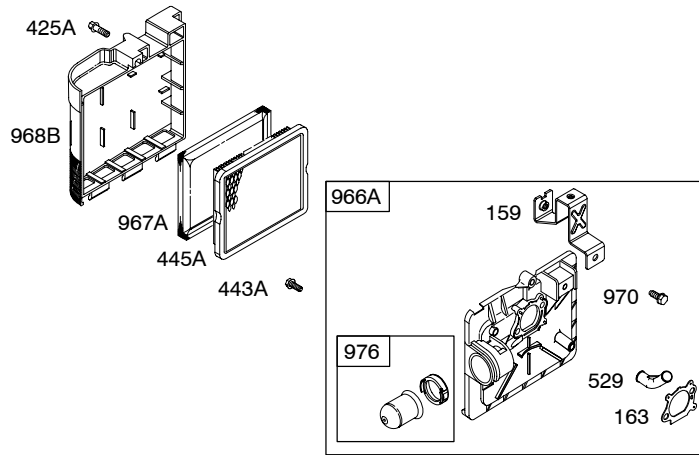
Illustrations cover a range of engines. Parts shown without corresponding text may not be used on your specific engine.  
 0991-2 Assemblies include all parts shown in frames. 11/30/2007



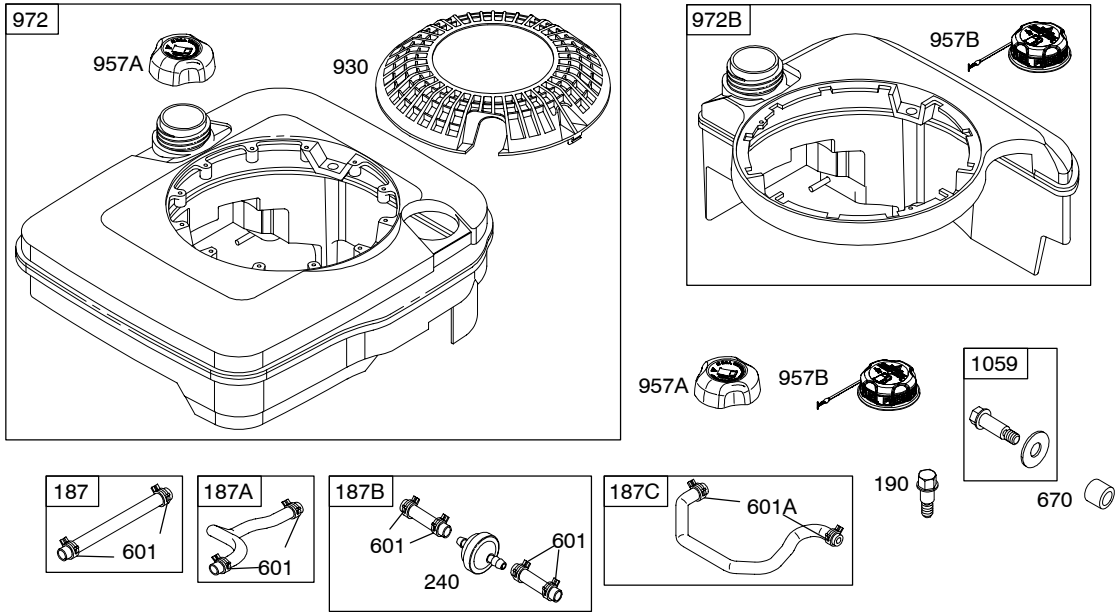
121 CARBURETOR OVERHAUL KIT		
94	134	276
104	137	617
127	163	633
127A		

977 CARBURETOR GASKET SET		
137	276	633
163	617	

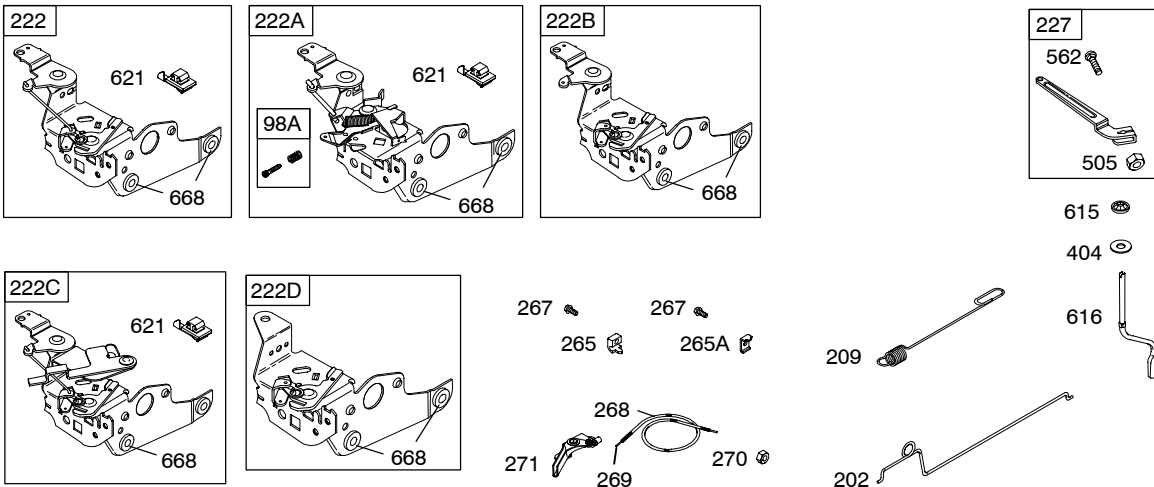
Illustrations cover a range of engines. Parts shown without corresponding text may not be used on your specific engine.  
 0991-3 Assemblies include all parts shown in frames. 11/30/2007



**Illustrations cover a range of engines. Parts shown without corresponding text may not be used on your specific engine.**

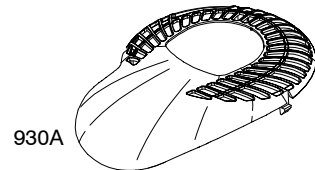
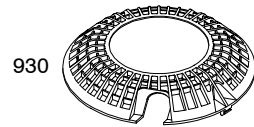
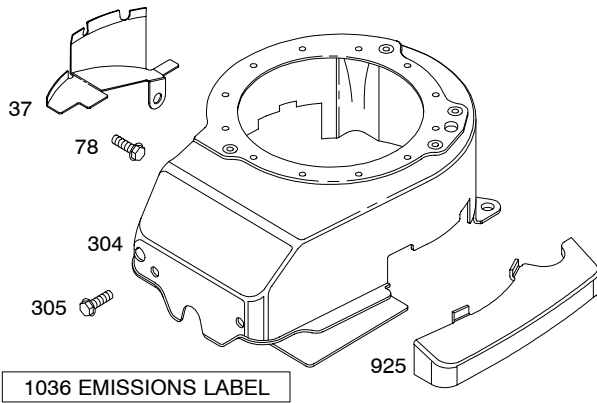
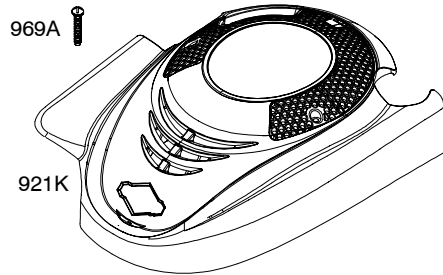
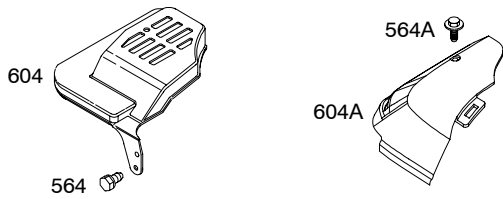
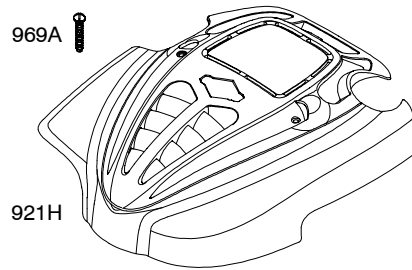
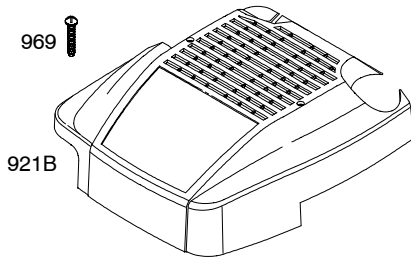
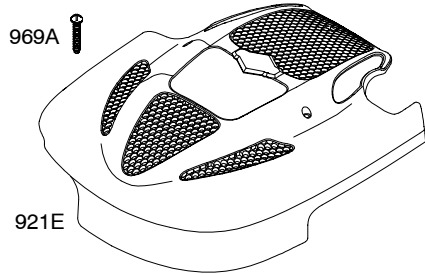
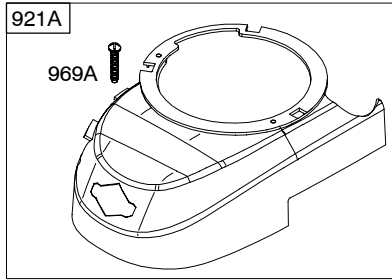
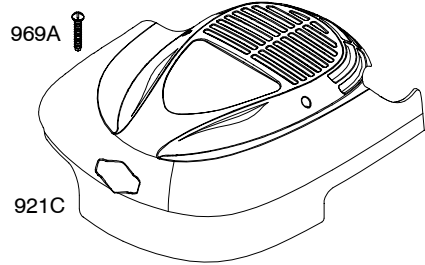
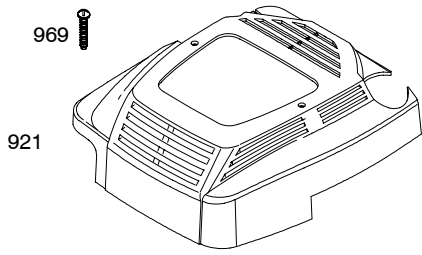


843  188 



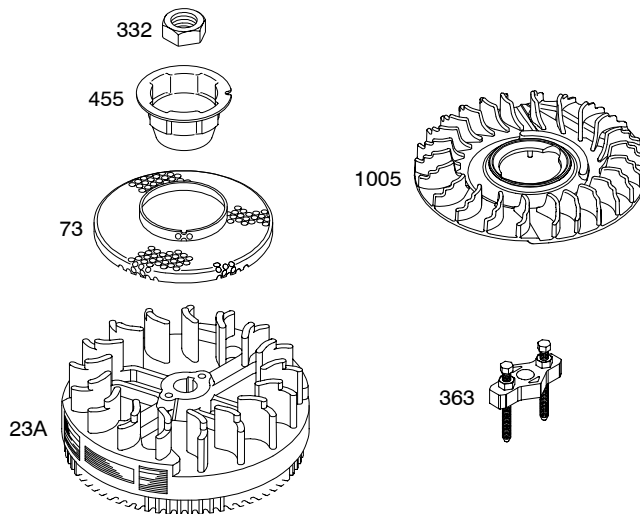
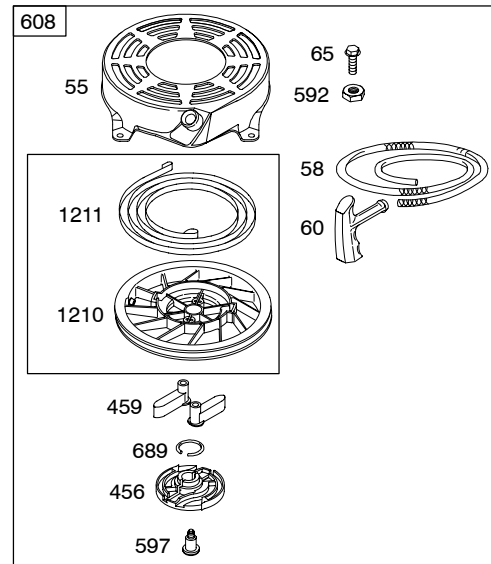
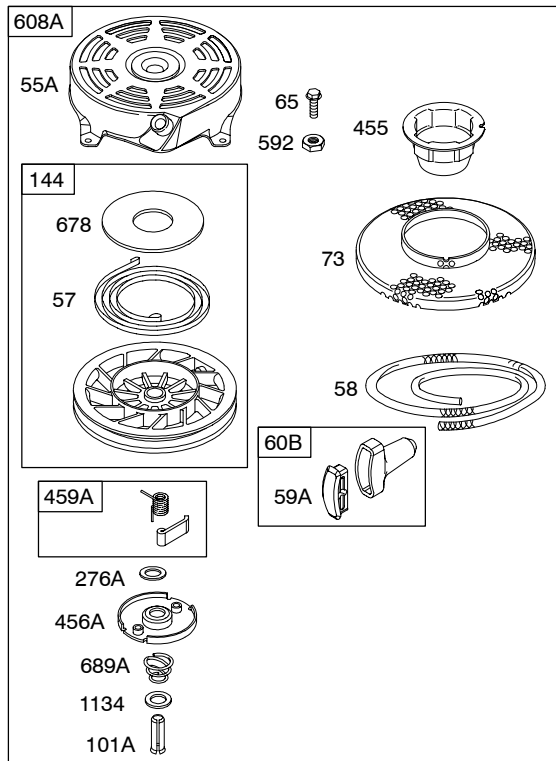
*Illustrations cover a range of engines. Parts shown without corresponding text may not be used on your specific engine.*  
 0991-5 Assemblies include all parts shown in frames. 11/30/2007

# 12J800



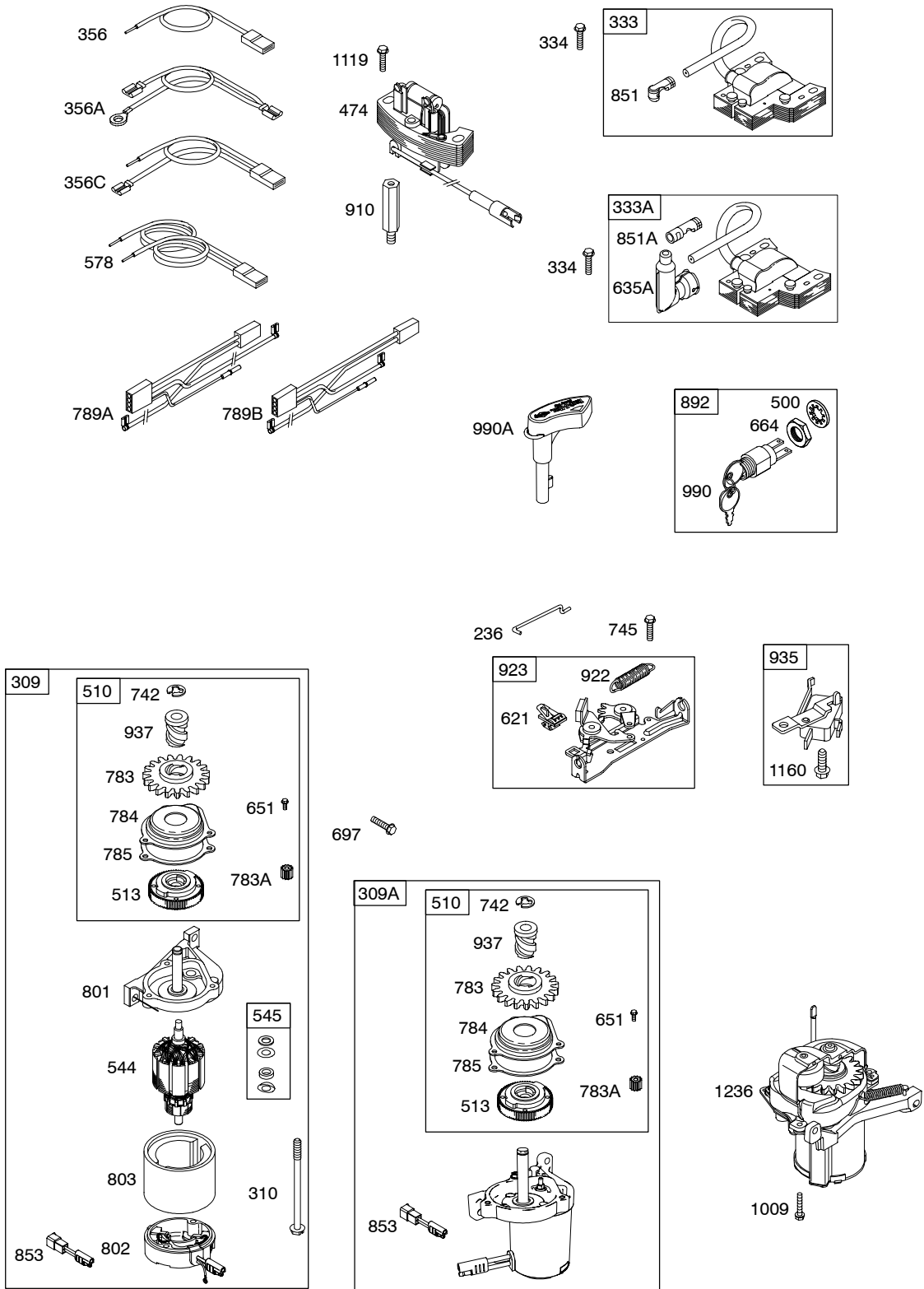
Illustrations cover a range of engines. Parts shown without corresponding text may not be used on your specific engine.  
0991-6 Assemblies include all parts shown in frames.

11/30/2007



Illustrations cover a range of engines. Parts shown without corresponding text may not be used on your specific engine.  
 0991-7 Assemblies include all parts shown in frames. 11/30/2007

# 12J800



Illustrations cover a range of engines. Parts shown without corresponding text may not be used on your specific engine.  
 0991-8 Assemblies include all parts shown in frames. 11/30/2007



REF. NO.	PART NO.	DESCRIPTION	REF. NO.	PART NO.	DESCRIPTION	REF. NO.	PART NO.	DESCRIPTION
1	697324	Cylinder Assembly	16	691451	Crankshaft (Used After Code Date 97011200).		691452	Crankshaft (Used After Code Date 97011200).
2	399269	Kit-Bushing/Seal (Magneto Side)						Used on Type No(s). 0874, 0875, 1120, 1122, 1123, 1166, 1366, 1567, 1753, 1754, 1755, 1904, 1905, 1917, 1925, 1927, 1929, 1974, 2322, 2325, 2326, 2327, 2328, 2329, 2330, 2366, 2367, 2371, 2636, 2816, 2916, 3104, 3136.
3	★299819S	Seal-Oil (Magneto Side)			----- <b>Note</b> -----			
4	493279	Sump-Engine ----- <b>Note</b> ----- 696294 Sump-Engine Used on Type No(s). 2327, 2328, 2329.			694442 Crankshaft (Used Before Code Date 97011300).			
4A	493365	Sump-Engine (Auxiliary PTO)			691450 Crankshaft (Used After Code Date 97011200). Used on Type No(s). 0653, 0818, 0819, 0825, 0881, 1324, 1328, 1330, 1331, 1337, 1363, 1367, 1370, 1371, 1522, 1528, 1535, 1787, 1918, 1919, 1936, 2372, 2628, 2635, 2825, 2919, 2925, 3113, 3114, 3131.			
5	691160	Head-Cylinder			694440 Crankshaft (Used Before Code Date 97011300). Used on Type No(s). 1522, 1528, 1535, 2825.			691454 Crankshaft (Used After Code Date 97011200). Used on Type No(s). 0878, 1338, 2826, 2926.
7	★∅692249	Gasket-Cylinder Head			692978 Crankshaft (Used After Code Date 97011200). Used on Type No(s). 0652, 0861, 1961, 1968, 1978.			692000 Crankshaft (Used Before Code Date 97011300). Used on Type No(s). 2826.
8	695250	Breather Assembly			690793 Crankshaft (Used Before Code Date 97011300). Used on Type No(s). 0861, 1961.			691455 Crankshaft (Used After Code Date 97011200). Used on Type No(s). 1966, 2818, 2918, 3125.
9	★∅699833	Gasket-Breather			693017 Crankshaft (Used After Code Date 97011200). Used on Type No(s). 2824.			691375 Crankshaft (Used Before Code Date 97011300). Used on Type No(s). 2818.
10	691125	Screw (Breather Assembly)			694441 Crankshaft (Used Before Code Date 97011300). Used on Type No(s). 2824.			694079 Crankshaft Used on Type No(s). 2368.
11	691781	Tube-Breather						696337 Crankshaft Used on Type No(s). 1753.
12	★692232	Gasket-Crankcase						696009 Crankshaft Used on Type No(s). 2369, 2370.
13	690912	Screw (Cylinder Head)						
15	691680	Plug-Oil Drain (Square Socket)						
15A	691093	Plug-Oil Drain (Hex Socket)						

★ Included in Engine Gasket Set-Ref. No.358.

● Included in Carburetor Overhaul Kit-Ref. No. 121.

◆ Included in Carburetor Gasket Set-Ref. No. 977.

∅ Included in Valve Gasket Set-Ref. No 1095.

**Illustrations cover a range of engines. Parts shown without corresponding text may not be used on your specific engine.**

# 12J800

REF. NO.	PART NO.	DESCRIPTION	REF. NO.	PART NO.	DESCRIPTION	REF. NO.	PART NO.	DESCRIPTION
20	★399781S	Seal–Oil (PTO Side)	26	795431	Ring Set (Standard) (Used After Code Date 07090300).	27	691866	Lock–Piston Pin (Used After Code Date 97011200).
20A	★691952	Seal–Oil (PTO Side) (Auxiliary PTO)			----- <b>Note</b> -----			----- <b>Note</b> -----
22	691092	Screw (Crankcase Cover/ Sump)			<b>791098</b> Ring Set (Standard) (Used After Code Date 04031400 and Before Code Date 07090400).			<b>691588</b> Lock–Piston Pin (Used Before Code Date 97011300).
23A	691987	Flywheel ----- <b>Note</b> ----- <b>691992</b> Flywheel Used on Type No(s). 0826, 0873, 0874, 1552, 1567, 1753, 1925, 1931, 1934, 1973, 1974, 2805, 2905, 2935, 4961. <b>696291</b> Flywheel Used on Type No(s). 2327, 2328, 2329.			<b>499425</b> Ring Set (Standard) (Used After Code Date 97011200 and Before Code Date 04031500).	28	499423	Pin–Piston (Standard) (Used After Code Date 97011200).
24	222698S	Key–Flywheel			<b>493261</b> Ring Set (Standard) (Used Before Code Date 97011300).			----- <b>Note</b> ----- <b>298909</b> Pin–Piston (Standard) (Used Before Code Date 97011300).
25	795429	Piston Assembly (Standard) (Used After Code Date 07090300). ----- <b>Note</b> ----- <b>791096</b> Piston Assembly (Used After Code Date 04031400 and Before Code Date 07090400). <b>494058</b> Piston Assembly (Standard) (Used Before Code Date 97011300). <b>795430</b> Piston Assembly (.020" Oversize) (Used After Code Date 07090300). <b>791325</b> Piston Assembly (.020" Oversize) (Used After Code Date 04102100 and Before Code Date 07040400). <b>494060</b> Piston Assembly (.020" Oversize) (Used Before Code Date 97011300).			<b>795432</b> Ring Set (.020" Oversize) (Used After Code Date 07090300). <b>791324</b> Ring Set (.020" Oversize) (Used After Code Date 04102100 and Before Code Date 07090400). <b>499427</b> Ring Set (.020" Oversize) (Used After Code Date 97011200 and Before Code Date 04102200). <b>493389</b> Ring Set (.020" Oversize) (Used Before Code Date 97011300). <b>493390</b> Ring Set (.030" Oversize) (Used Before Code Date 97011300).	29	499424	Rod–Connecting (Standard) (Used After Code Date 97011200). ----- <b>Note</b> ----- <b>490566</b> Rod– Connecting (Standard) (Used Before Code Date 97011300).
						32	691664	Screw (Connecting Rod)
						32A	695759	Screw (Connecting Rod) (Used After Code Date 00042200).
						33	262651S	Valve–Exhaust
						34	262652S	Valve–Intake
						35	691270	Spring–Valve (Intake)
						36	691270	Spring–Valve (Exhaust)
						37	694086	Guard–Flywheel
						40	692194	Retainer–Valve
						43	691997	Slinger–Governor/Oil
						45	690548	Tappet–Valve

★ Included in Engine Gasket Set–Ref. No.358.

● Included in Carburetor Overhaul Kit–Ref. No. 121.

◆ Included in Carburetor Gasket Set–Ref. No. 977.

⊘ Included in Valve Gasket Set–Ref. No 1095.

**Illustrations cover a range of engines. Parts shown without corresponding text may not be used on your specific engine.**

REF. NO.	PART NO.	DESCRIPTION	REF. NO.	PART NO.	DESCRIPTION	REF. NO.	PART NO.	DESCRIPTION
<b>46</b>	<b>691449</b>	Camshaft (Used After Code Date 96060200). ----- <b>Note</b> ----- <b>492830</b> Camshaft (Used Before Code Date 96060300).	<b>55</b>	<b>691421</b>	Housing-Rewind Starter	<b>98</b>	<b>398185</b>	Kit-Idle Speed (Carburetor)
<b>46A</b>	<b>691460</b>	Camshaft (Clockwise) (Used After Code Date 96060200). Used on Type No(s). 0818, 1322, 1331, 1338, 1918, 1969, 2850, 2950. ----- <b>Note</b> ----- <b>493740</b> Camshaft (Clockwise) (Used Before Code Date 96060300). Used on Type No(s). 2850.	<b>55A</b>	<b>492831</b>	Housing-Rewind Starter	<b>98A</b>	<b>493280</b>	Kit-Idle Speed
		<b>691459</b> Camshaft (Counterclockwise) (Used After Code Date 96060200). Used on Type No(s). 0826, 1325, 1326, 1331, 1333, 1338, 1340, 1369, 1550, 1936, 1969, 2650, 2851, 2951, 2952, 2981, 3125, 3126, 3129.	<b>57</b>	<b>491889</b>	Spring-Rewind Starter	<b>101</b>	<b>691623</b>	Pin-Shaft (Drive Gear)
<b>50</b>	<b>497465</b>	Manifold-Intake	<b>58</b>	<b>280399S</b>	Rope-Starter (Cut To Required- Length)	<b>101A</b>	<b>262626</b>	Pin-Shaft (For Rewind Starter)
<b>51</b>	<b>*272199S</b>	Gasket-Intake	<b>59A</b>	<b>396892</b>	Insert-Grip	<b>104</b>	<b>691242</b>	Pin-Float Hinge
<b>54</b>	<b>691650</b>	Screw (Intake Manifold)	<b>60</b>	<b>281434S</b>	Grip-Starter Rope (1 Piece)	<b>108</b>	<b>691182</b>	Valve-Choke
			<b>60B</b>	<b>393152</b>	Grip-Starter Rope (2 Piece)	<b>109</b>	<b>494218</b>	Shaft-Choke
			<b>65</b>	<b>690837</b>	Screw (Rewind Starter) ----- <b>Note</b> ----- <b>690759</b> Screw (Rewind Starter) (Use With Spring/Dog Kit Starter)	<b>117</b>	<b>494870</b>	Jet-Main (Standard) (Used After Code Date 02092900). ----- <b>Note</b> ----- <b>498975</b> Jet-Main (Standard) (Used After Code Date 96060200 and Before Code Date 02093000). <b>494870</b> Jet-Main (Standard) (Used Before Code Date 96060300).
			<b>73</b>	<b>691221</b>	Screen-Rotating			<b>494870</b> Jet-Main (Standard) Used on Type No(s). 2368, 2369.
			<b>78</b>	<b>691108</b>	Screw (Flywheel Guard)	<b>117A</b>	<b>498976</b>	Jet-Main (Standard) (Used After Code Date 96060200). ----- <b>Note</b> ----- <b>493637</b> Jet-Main (Standard) (Used Before Code Date 96060300).
			<b>81</b>	<b>691740</b>	Lock-Muffler Screw			
			<b>83</b>	<b>690522</b>	Shaft-Auxiliary Drive ----- <b>Note</b> ----- <b>691778</b> Shaft-Auxiliary Drive Used on Type No(s). 0818, 0826, 1338, 1340, 1918, 1969. <b>690527</b> Shaft-Auxiliary Drive Used on Type No(s). 1326, 1550, 2650, 2952, 3125, 3126, 3129.			
			<b>94</b>	<b>493765</b>	Kit-Idle Mixture			
			<b>95</b>	<b>691636</b>	Screw (Throttle Valve)			
			<b>97</b>	<b>493267</b>	Shaft-Throttle (Metal) ----- <b>Note</b> ----- <b>696565</b> Shaft-Throttle (Plastic)			

★ Included in Engine Gasket Set-Ref. No.358.

● Included in Carburetor Overhaul Kit-Ref. No. 121.

◆ Included in Carburetor Gasket Set-Ref. No. 977.

⊘ Included in Valve Gasket Set-Ref. No 1095.

**Illustrations cover a range of engines. Parts shown without corresponding text may not be used on your specific engine.**

# 12J800

REF. NO.	PART NO.	DESCRIPTION	REF. NO.	PART NO.	DESCRIPTION	REF. NO.	PART NO.	DESCRIPTION
118	497315	Jet–Main (High Altitude) (Used After Code Date 02092900). ----- <b>Note</b> ----- 497348 Jet–Main (High Altitude) (Used After Code Date 96060200 and Before Code Date 02093000). 497315 Jet–Main (High Altitude) (Used Before Code Date 96060300). 497315 Jet–Main (High Altitude) Used on Type No(s). 2368, 2369.	125	698444	Carburetor (Primer System) (Used After Code Date 96060200). ----- <b>Note</b> ----- 498170 Carburetor (Primer System) (Used After Code Date 95102900 and Before Code Date 96060300). 498254 Carburetor (Primer System) (Used Before Code Date 95103000). ----- 694146 Carburetor Used on Type No(s). 2368, 2369.	133	398187	Float–Carburetor
118A	498977	Jet–Main (High Altitude) (Used After Code Date 96060200). ----- <b>Note</b> ----- 496063 Jet–Main (High Altitude) (Used Before Code Date 96060300).	125A	498964	Carburetor (Choke System) Used on Type No(s). 1120, 1567. ----- <b>Note</b> ----- 690000 Carburetor (Choke System) Used on Type No(s). 2905.	134	●398188	Kit–Needle/Seat
121	498260	Kit–Carburetor Overhaul	127	●694468	Plug–Welch	137	◆●693981	Gasket–Float Bowl
			127A	●691739	Plug–Welch	144	493824	Pulley/Spring Assembly
			130	691203	Valve–Throttle ----- <b>Note</b> ----- 696564 Valve–Throttle (Used With Plastic Throttle Shaft)	146	690979	Key–Timing
			130A	691181	Valve–Throttle	159	691753	Bracket–Air Cleaner Primer
						163★◆●272653	Gasket–Air Cleaner	
						187	791766	Line–Fuel (Cut to Required Length)
						187A	791873	Line–Fuel (Molded)
						187B	791891	Line–Fuel (Includes Filter) (Used After Code Date 05063000). ----- <b>Note</b> -----
								692042 Line–Fuel (Includes Filter) (Used Before Code Date 05070100).
						187C	791875	Line–Fuel (Molded)
						188	690877	Screw (Control Bracket)
						190	690940	Screw (Fuel Tank)
						202	691829	Link–Mechanical Governor

★ Included in Engine Gasket Set–Ref. No.358.

● Included in Carburetor Overhaul Kit–Ref. No. 121.

◆ Included in Carburetor Gasket Set–Ref. No. 977.

⊗ Included in Valve Gasket Set–Ref. No 1095.

**Illustrations cover a range of engines. Parts shown without corresponding text may not be used on your specific engine.**

REF. NO.	PART NO.	DESCRIPTION	REF. NO.	PART NO.	DESCRIPTION	REF. NO.	PART NO.	DESCRIPTION
<b>209</b>	<b>699056</b>	Spring-Governor ----- <b>Note</b> ----- <b>691833</b> Spring-Governor Used on Type No(s). 1567. <b>691835</b> Spring-Governor Used on Type No(s). 1120. <b>691291</b> Spring-Governor Used on Type No(s). 1934, 2935, 3142, 4961. <b>691851</b> Spring-Governor Used on Type No(s). 0652, 0653, 0818, 0819, 0825, 0826, 0861, 0878, 0879, 1324, 1328, 1330, 1334, 1367, 1370, 1371, 1528, 1535, 1717, 1787, 1918, 1919, 1930, 1936, 1961, 1968, 2372, 2636, 2628, 2635, 2805, 2916, 2919, 3113, 3114, 3131, 3132, 3139. <b>691292</b> Spring-Governor Used on Type No(s). 0820, 0873, 0874, 0875, 0881, 1123, 1166, 1322, 1325, 1329, 1337, 1338, 1340, 1363, 1366, 1368, 1369. 1522, 1552, 1716, 1753, 1755, 1904, 1905, 1915, 1926, 1927, 1929, 1931, 1973, 1974, 1988, 2327, 2366, 2367, 2368, 2369, 2370, 3104, 3128, 3136, 3140. <b>691852</b> Spring-Governor Used on Type No(s). 2328, 2329, 2330, 2371.	<b>217</b>	<b>690354</b>	Spring-Choke Return	<b>276</b>	<b>271716</b>	Washer-Sealing
			<b>222</b>	<b>790143</b>	Bracket-Control (Remote/Manual Friction)(Primer)	<b>276A</b>	<b>280973</b>	Washer-Sealing (For Rewind Starter)
			<b>222A</b>	<b>692021</b>	Bracket-Control (Remote Choke A Matic, Non-Compliance)	<b>287</b>	<b>690940</b>	Screw (Dipstick Tube)
			<b>222B</b>	<b>693006</b>	Bracket-Control (Fixed Speed) ----- <b>Note</b> ----- <b>692467</b> Bracket-Control (Fixed Speed) Used on Type No(s). 2327, 2328, 2329, 2368, 2369, 3137.	<b>300</b>	<b>692038</b>	Muffler (Super Lo Tone)
			<b>222C</b>	<b>692150</b>	Bracket-Control (Remote/Manual Friction)(Variable Speed And 5 Position Manual Choke)	<b>300A</b>	<b>494343S</b>	Muffler (Square Lo Tone)
			<b>222D</b>	<b>791128</b>	Bracket-Control (Remote/Manual Friction) (Variable Speed and 5 Position Manual Choke, Without Stopswitch)	<b>300B</b>	<b>497681</b>	Muffler (Catalyst)
			<b>227</b>	<b>690783</b>	Lever-Governor Control	<b>304</b>	<b>493293</b>	Housing-Blower (Compliance) ----- <b>Note</b> ----- <b>493294</b> Housing-Blower (Non Compliance) Used on Type No(s). 0818, 0819, 0825, 0826, 0873, 0874, 0875, 0880, 1123, 1324, 1328, 1330, 1331, 1334, 1337, 1367, 1552, 1567, 1717, 1753, 1754, 1755, 1918, 1919, 1925, 1926, 1927, 1931, 1934, 1936, 1973, 1974, 1988, 2367, 2372, 2805, 2905, 2935, 3131, 3136, 3139, 3140, 4961.
			<b>236</b>	<b>691826</b>	Link-Lockout			<b>694092</b> Housing-Blower Used on Type No(s). 2369.
			<b>240</b>	<b>298090S</b>	Filter-Fuel			<b>695892</b> Housing-Blower Used on Type No(s). 1786, 1987, 3129, 3141.
			<b>265</b>	<b>690798</b>	Clamp-Casing			<b>696298</b> Housing-Blower Used on Type No(s). 2327, 2328, 2329.
			<b>265A</b>	<b>691024</b>	Clamp-Casing			
			<b>267</b>	<b>691044</b>	Screw (Casing Clamp)			
			<b>268</b>	<b>691025</b>	Casing-Control Wire (Cut to Required Length)			
			<b>269</b>	<b>690126</b>	Wire-Control (Cut to Required Length)			
			<b>270</b>	<b>691027</b>	Nut (Control Wire Casing)			
			<b>271</b>	<b>691028</b>	Lever-Control			

★ Included in Engine Gasket Set-Ref. No.358.

● Included in Carburetor Overhaul Kit-Ref. No. 121.

◆ Included in Carburetor Gasket Set-Ref. No. 977.

⊘ Included in Valve Gasket Set-Ref. No 1095.

**Illustrations cover a range of engines. Parts shown without corresponding text may not be used on your specific engine.**

# 12J800

REF. NO.	PART NO.	DESCRIPTION	REF. NO.	PART NO.	DESCRIPTION	REF. NO.	PART NO.	DESCRIPTION
305	691108	Screw (Blower Housing)	425A	690670	Screw (Air Cleaner Cover)	592	690800	Nut (Rewind Starter)
306	690450	Shield-Cylinder	443A	692523	Screw (Air Cleaner Primer Base)	597	691696	Screw (Pawl Friction Plate)
307	690345	Screw (Cylinder Shield)	445A	491588S	Filter-Air Cleaner Cartridge	601	791850	Clamp-Hose
309	695550	Motor-Starter (Used Before Code Date 07052900).	455	791960	Cup-Flywheel	601A	691038	Clamp-Hose
309A	795092	Motor-Starter (Used After Code Date 07052800).	455A	224250	Cup-Flywheel (Straight Side Cup)	604	691757	Cover-Control
310	692327	Bolt (Starter Motor)	456	692299	Plate-Pawl Friction	604A	691344	Cover-Control
332	690662	Nut (Flywheel)	456A	224321	Plate-Pawl Friction (Use with Spring/Dog Kit)	608	497680	Starter-Rewind
333	802574	Armature-Magneto	459	281505S	Pawl-Ratchet	608A	497598	Starter-Rewind
333A	792640	Armature-Magneto (Screw On Spark Plug Boot)	459A	492833	Pawl-Ratchet (Use with Spring/Dog Kit)	613	691340	Screw (Muffler)
		----- Note -----	474	691991	Alternator	613A	691653	Screw (Muffler)
		793353 Armature- Magneto (Snap In Spark Plug Boot)	500	691086	Washer (Key Switch)	613B	691114	Screw (Muffler)
			505	691251	Nut (Governor Control Lever)	615	690340	Retainer-Governor Shaft
334	691061	Screw (Magneto Armature)	510	795093	Drive-Starter	616	698801	Crank-Governor
337	802592S	Plug-Spark (Resistor)	513	692358	Clutch-Drive	617	◆●270344S	Seal-O Ring (Intake Manifold)
		----- Note -----	520	691084	Terminal-Ground	621	692310	Switch-Stop
		697451 Plug-Spark (EMS)	523	499621	Dipstick	633	◆●691321	Seal-Choke/Throttle Shaft
346	690661	Screw (Spark Arrestor)	524	★692296	Seal-Dipstick Tube	635	66538S	Boot-Spark Plug
356	692390	Wire-Stop	525	495265	Tube-Dipstick	635A	792597	Boot-Spark Plug (Screw On Style)
356A	690650	Wire-Stop	529	691923	Grommet			----- Note -----
356C	690808	Wire-Stop	544	690786	Armature-Starter			793351 Boot-Spark Plug (Snap On Style)
357A	692191	Key-Drive Pulley	545	492919	Washer Set (Starter Motor)	651	691660	Screw (Starter Gear Cover)
358	497316	Gasket Set-Engine	562	92613	Bolt (Governor Control Lever)	664	691087	Nut (Key Switch)
363	19069	Flywheel Puller	564	690664	Screw (Control Cover)	668	★493823	Spacer
365	691688	Screw (Carburetor)	564A	691142	Screw (Control Cover)	670	692294	Spacer-Fuel Tank
374	691074	Washer (Camshaft)	578	398153	Wire Assembly	676	396548	Deflector-Muffler
383	89838S	Wrench-Spark Plug	584	697734	Cover-Breather Passage	677	690661	Screw (Muffler Deflector)
404	690272	Washer (Governor Crank)	585	★691879	Gasket-Breather Passage	678	224278	Spacer-Rewind
						684	690345	Screw (Breather Passage Cover)

★ Included in Engine Gasket Set-Ref. No.358.

● Included in Carburetor Overhaul Kit-Ref. No. 121.

◆ Included in Carburetor Gasket Set-Ref. No. 977.

⊘ Included in Valve Gasket Set-Ref. No 1095.

**Illustrations cover a range of engines. Parts shown without corresponding text may not be used on your specific engine.**

REF. NO.	PART NO.	DESCRIPTION	REF. NO.	PART NO.	DESCRIPTION	REF. NO.	PART NO.	DESCRIPTION
689	691855	Spring-Friction	789A	691372	Harness-Wiring (Used Before Code Date 00040700).	883	★ <del>691881</del>	Gasket-Exhaust
689A	262625	Spring-Friction				892	690646	Switch-Key
692	690572	Spring-Detent				910	691094	Stud (Alternator)
697	691127	Screw (Drive Cap)	789B	696547	Harness-Wiring (Used After Code Date 00040600).	921	497233	Cover-Blower Housing
715	691147	Screw (Stop Shaft)	801	690782	Cap-Drive	921A	695886	Cover-Blower Housing
718	690959	Pin-Locating	802	695267	Cap-End (Used After Code Date 00040600).	921B	692932	Cover-Blower Housing (Red)
721	690449	Stop-Shaft						----- <b>Note</b> -----
741	794388	Gear-Timing (Use Without Woodruff Key) (Used After Code Date 07093000).						692931 Cover-Blower Housing (Black)
		----- <b>Note</b> -----						
		790345 Gear-Timing (Use Without Woodruff Key) (Used Before Code Date 07100100).	803	695266	Housing-Starter (Used After Code Date 00040600).	921C	695889	Cover-Blower Housing
		----- <b>Note</b> -----				921E	696262	Cover-Blower Housing
		790345 Gear-Timing (Use Without Woodruff Key) (Used Before Code Date 07100100).				921H	790037	Cover-Blower Housing
742	93941	Retainer-E Ring				921K	699984	Cover-Blower Housing
743	690516	Gear-Drive (Clockwise) Used on Type No(s). 0818, 1322, 1331, 1918, 2850, 2950.				922	691831	Spring-Brake
		----- <b>Note</b> -----						----- <b>Note</b> -----
		691772 Gear-Drive (Counterclockwise) Used on Type No(s). 0826, 1325, 1326, 1333, 1338, 1340, 1369, 1550, 1936, 1969, 2650, 2851, 2951, 2981, 3126.	832B	497683	Guard-Muffler			692135 Spring-Brake Used on Type No(s). 1987.
			832D	499034	Guard-Muffler	923	691994	Brake
			836	690664	Screw (Muffler Guard)			----- <b>Note</b> -----
			836B	691147	Screw (Muffler Guard)			695891 Brake Used on Type No(s). 1987.
			842	★691031	Seal-O Ring (Dipstick Tube)	925	795403	Cover-Linkage (Used After Code Date 07072200).
			843	691884	Sleeve-Lever			----- <b>Note</b> -----
			847	692047	Dipstick/Tube Assembly			690595 Cover- Linkage (Used Before Code Date 07072300).
			851	493880S	Terminal-Spark Plug	930	691919	Guard-Rewind
			851A	692424	Terminal-Spark Plug	930A	691345	Guard-Rewind
			853	695268	Adapter-Wire	935	499421	Switch-Interlock
			868	697338	Seal-Valve	937	691325	Spline-Starter
			869	691155	Seat-Valve (Intake)	946	691738	Stop-Rope
			870	690380	Seat-Valve (Exhaust)	957A	692046	Cap-Fuel Tank (Plastic)
			871	262001	Bushing-Valve Guide (Exhaust)	957B	699985	Cap-Fuel Tank (Plastic)
								----- <b>Note</b> -----
								63709 Bushing-Valve Guide (Intake)

★ Included in Engine Gasket Set-Ref. No.358.

● Included in Carburetor Overhaul Kit-Ref. No. 121.

◆ Included in Carburetor Gasket Set-Ref. No. 977.

⊘ Included in Valve Gasket Set-Ref. No 1095.

**Illustrations cover a range of engines. Parts shown without corresponding text may not be used on your specific engine.**

# 12J800

REF. NO.	PART NO.	DESCRIPTION	REF. NO.	PART NO.	DESCRIPTION	REF. NO.	PART NO.	DESCRIPTION
966A	496116	Base–Air Cleaner Primer	976	694395	Primer–Carburetor	1095	498528	Gasket Set–Valve
967A	493537S	Filter–Pre Cleaner	977	498261	Gasket Set–Carburetor	1119	691648	Screw (Alternator)
968B	692298	Cover–Air Cleaner	990	691959	Key Set	1134	224322	Washer (Pawl Friction Plate)
969	690700	Screw (Blower Housing Cover)	990A	695951	Key Set (Touch N Mow)	1160	690345	Screw (Interlock Switch)
969A	691138	Screw (Blower Housing Cover)	994	398067	Arrestor–Spark	1210	498144	Pulley/Spring Assembly (Pulley)
970	691681	Screw (Air Cleaner Primer Bracket)	1005	691346	Fan–Flywheel	1211	498144	Pulley/Spring Assembly (Spring)
972	699392	Tank–Fuel (Plastic)	1009	696255	Screw (Starter Motor)	1236	695959	Starter–Mechanical (Touch N Mow) (Do Not Service Individual Parts, Only As A Whole)
972B	699374	Tank–Fuel (Plastic)	1019	494256	Kit–Label	1319	794467	Label–Warning
		----- <b>Note</b> -----			----- <b>Note</b> -----	1330	270962	Manual–Repair
		695960 Tank–Fuel (Plastic)	1036		790231 Kit–Label (Touch N Mow)			
		Used on Type No(s). 2327, 2328, 2329.			Label–Emissions (Available From A Briggs & Statton Authorized Dealer)			
975	493640	Bowl–Float	1058	277039	Operator’s Manual			
			1059	692311	Kit–Screw/Washer			
					----- <b>Note</b> -----			
					696293 Kit–Screw/Washer (Touch N Mow)			

★ Included in Engine Gasket Set–Ref. No.358.

● Included in Carburetor Overhaul Kit–Ref. No. 121.

◆ Included in Carburetor Gasket Set–Ref. No. 977.

∅ Included in Valve Gasket Set–Ref. No 1095.

**Illustrations cover a range of engines. Parts shown without corresponding text may not be used on your specific engine.**