

Item
Model
ProjectName



601134

FEATURES

- Base and main components in sanitary burnished aluminium thus guaranteeing durability, high sanitary standards and ease of cleaning.
- Sharpened blades in tempered forged steel.
- Removable and easy to use top mounted stone blade sharpener.
- Removable carriage system.

Gear transmission

The range of gravity slicers provides a rational and fast solution for the slicing problems of restaurants, canteens and supermarkets. They are particularly suitable for foods like salame/ham and cooked meats. The models detailed on this sheet are three gravity slicers available with gear transmissions.

- Gear drive system for heavy and continuative daily operations.
- Cover blade and product deflector easily removable without tools.
- Cover blade in teflon and gauge plate especially suitable for cutting cheese on model 601137.
- Cover blade full covering for improved slicing and movement during manual operations.

Food slicers



DITO

Electrolux

- Carriage rollers and self-lubrication bushes for ease of movements during operation.
- Gauge plate interlock allows the removal of carriage for cleaning only when the appliance is switched off.
- Permanently mounted blade guard ring aids protection from cutting blades while operating and cleaning.
- Blade drive motor ventilated designed for continuous use.
- Gauge knob provides precise control of slicing.
- IP42 water protection.
- CE and NSF approved.

Specifications

MODEL	MSG30G 601134	MSG35G 601135	MSG30GT 601137
External dimensions - mm			
width	720	760	720
depth	520	530	520
height	520	550	520
Electrical power - kW	0.5	0.5	0.5
Net weight - kg.	36	40	36

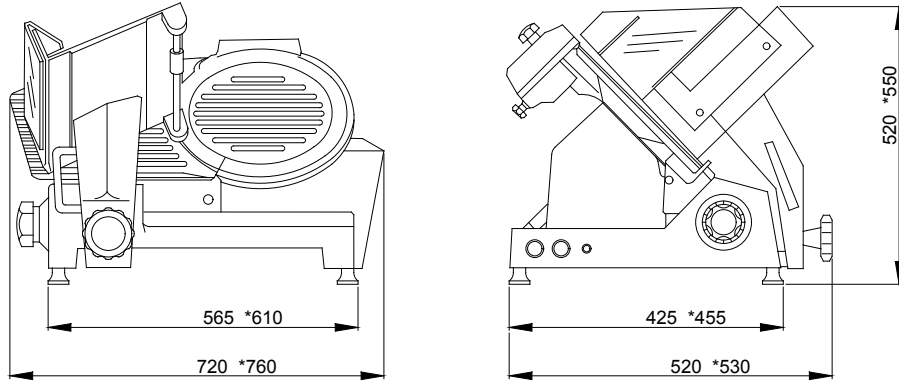


DITO

Electrolux

Installation drawings

601134, 601137, 601135



MODEL	MSG30G 601134	MSG35G 601135	MSG30GT 601137
I - Electrical connection	230 V, 1N, 50	400 V, 3, 50	230 V, 1, 50

The manufacturer reserves the right to modify and make improvements to the products without giving prior warning. Dimensions, illustrations, technical data, weights, etc. are given as an indication only.



www.dito-electrolux.com

Food slicers



AMAB010