

GB

English

HD 63 X  
HD 73 X  
HD 93 X

### Contents

#### **Installation, 10-11**

Assembly

#### **Technical information, 12**

Electrical connection

Power cable

Technical data

#### **Description, 13**

Filtering version

Ducting version

#### **Operation, 14**

Controls

#### **Maintenance, 15**

Cleaning the hood

Cleaning the grease filters

Replacing the charcoal filter

Replacing the lamps

#### **Precautions and tips, 16**

General safety

Air vent

Disposal

GB

# Installation

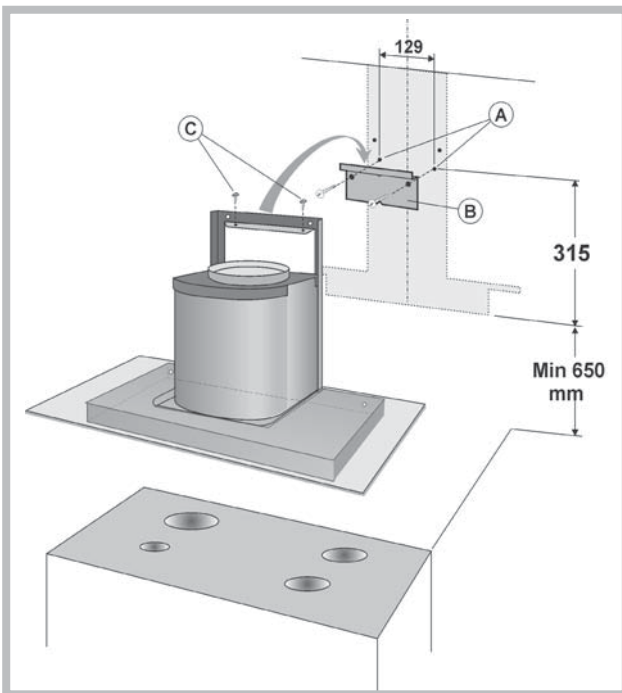
GB

## Assembly

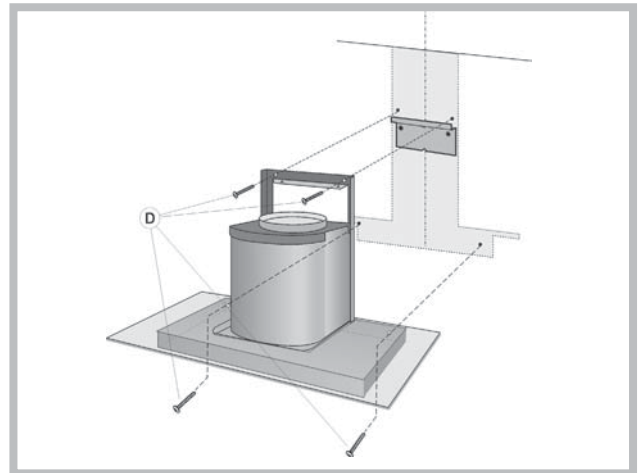
Before proceeding with the assembly operations, remove the grease filters so that the hood is easier to handle (for the instructions see the paragraph "Cleaning the grease filters" in the chapter on "Maintenance").

### Fixing to the wall

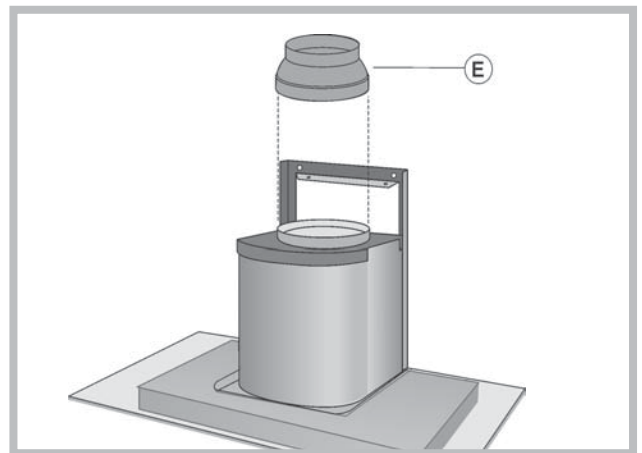
- 1) Draw a line on the wall along the vertical axis of the hob. Mark the 2 holes (A) to be made in the wall respecting the measurements indicated in the figure below.
- 2) Drill the holes (8 mm  $\varnothing$ ) and fit the 2 screw anchors (provided).
- 3) Fix the metal bracket (B) to the wall with 2 screws using the 2 holes drilled. Use the 2 triangles cut into the bracket to position it exactly along the vertical axis of the hood.
- 4) Then hook the hood onto the metal bracket. Adjust the horizontal position by moving the hood to the right or left as required to align it with the wall units. If the hood also needs to be adjusted in height, operate on the adjusting screws (C).



- 5) Once adjusted, **finally fix the hood with a further 4 screws (D)**: Mark the 4 holes to be drilled on the wall, unhook the hood and drill the holes marked (8 mm diameter); then use the screw anchors and the screws provided for final fixing. **FOR CORRECT FUNCTIONING, THE HOOD MUST BE FIXED USING ALL FOUR SCREWS (D)!**

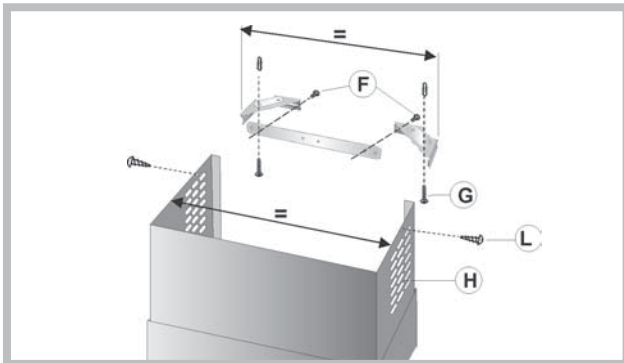


- 6) For the hoods in filtering version, fit the reducer (E).



### Securing the decorative flue

- 1) Assemble the support bracket of the decorative flue and adjust the width with the 2 screws (F). Then, using the screw anchors and the screws (G), secure it to the ceiling in such a way that it is in line with the hood.
- 2) For the filtering version, the air vent grilles (H) must be positioned at the top. For the ducting version, turn the upper flue upside down so that the air vent grilles are at the bottom.

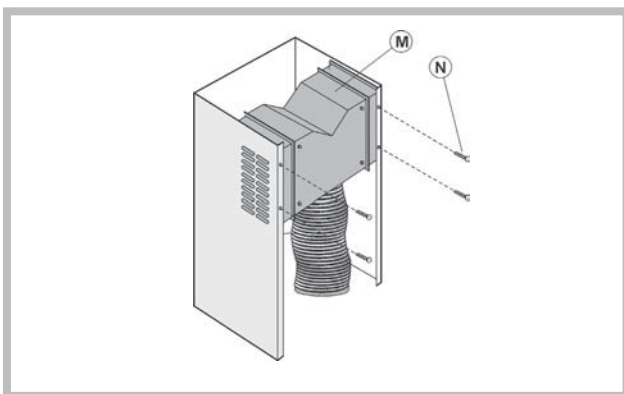


### 3) Ducting version:

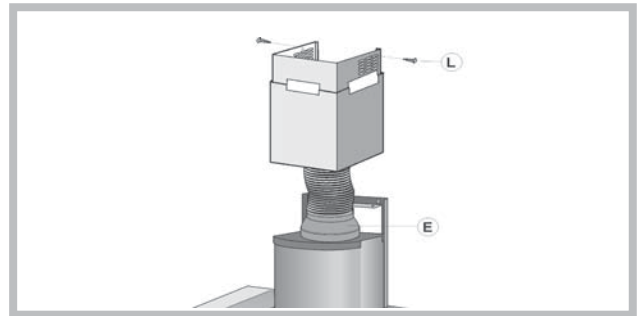
- a) Connect the air vent of the hood to the air vent hole using a flexible hose of 15 cm diameter. Lock the flexible hose with hose clamps (hose and clamps not provided).
- b) Make the electrical connection of the hood by means of the power cable (refer to the paragraph "Electrical connection").
- c) Fit the decorative flue resting it on the hood. Lift the upper flue up to the ceiling and secure it by means of the 2 screws (L).

### 4) Filtering version:

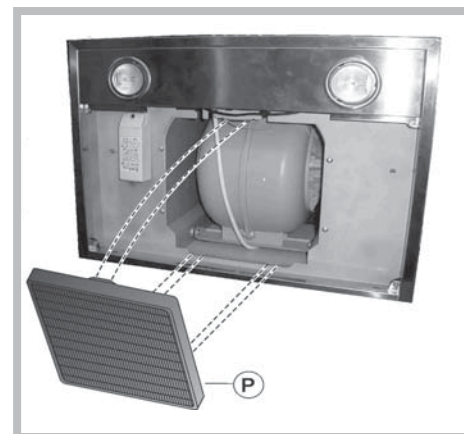
- a) Fit the baffle (M) to the upper flue using 4 flat-headed screws (N). Connect a flexible hose of 12.5 cm diameter to the baffle locking it with a hose clamp (hose and clamp not provided).



- b) Take the decorative flue and rest it on the hood. Lift the upper flue up to the ceiling and secure it using the 2 screws (L).
- c) Lift the lower flue holding it firm with some adhesive tape and connect the flexible hose to the reducer (E) with a hose clamp (not provided).



- d) Make the electrical connection of the hood by means of the power cable (refer to the paragraph "Electrical connection").
- e) Lower the lower flue resting it on the hood.
- f) Check if the charcoal filter (P) has been installed. If not yet installed, proceed by sliding the 2 filter clips into their seats and turn the filter upwards.



# Technical information

GB

## Electrical connection

- ! Arrange the electrical power supply within the decorative flue dimensions.
- ! When making the electrical connections, check that the voltage values correspond to those indicated on the data plate inside the appliance itself.
- ! In case your appliance is not furnished with a non separating flexible cable and has no plug, or has not got any other device ensuring omnipolar disconnection from the electricity main, with a contact opening distance of at least 3 mm, such separating device ensuring disconnection from the main must be included in the fixed installation.
- ! If your unit features a power lead and plug, position this so the plug is accessible.
- ! The following warning is valid in the United Kingdom only (in case your cable is not furnished with a plug). As the colours of the wires in the mains lead of this appliance may not correspond with the coloured markings identifying the terminals in your plug, proceed as follows: – the wire which is coloured blue must be connected to the terminal

which is marked with the letter N or coloured black;  
 – the wire which is coloured brown must be connected to the terminal which is marked with the letter L or coloured red.  
 – the wire which is coloured green and yellow must be connected to the terminal in the plug which is marked with the letter E or by the earth symbol [  $\perp$  ], or coloured green or green and yellow.

## Power cable

- ! Warning: The hood is fitted with a specially prepared cable; if the cable is damaged, it must be replaced with a cable or special cable assembly, available at the manufacturer or its technical service.

## Technical data

Model	HD63X	HD73X	HD93X
<b>Dimensions</b>	width 59.8 cm height 67.7 / 99.5 cm depth 50 cm Outlet pipe diameter 15 cm	width 69.8 cm height 67.7 / 99.5 cm depth 50 cm Outlet pipe diameter 15 cm	width 89.8 cm height 67.7 / 99.5 cm depth 50 cm Outlet pipe diameter 15 cm
<b>Gross weight</b>	20 Kg	21 Kg	24 Kg
<b>Absorption</b>	Total 220 W Motor 1x180 W Lamps 2x20 W	Total 220 W Motor 1x180 W Lamps 2x20 W	Total 220 W Motor 1x180 W Lamps 2x20 W
<b>Flow rate</b>	560 m <sup>3</sup> /h	560 m <sup>3</sup> /h	560 m <sup>3</sup> /h
<b>Grease filters</b>			
Suction surface area	944 cm <sup>2</sup>	944 cm <sup>2</sup>	944 cm <sup>2</sup>

# Description

The hood may be in the filtering or ducting version. Decide from the outset which type is to be installed. For better efficiency, we recommend installing the hood in the ducting version (if possible).

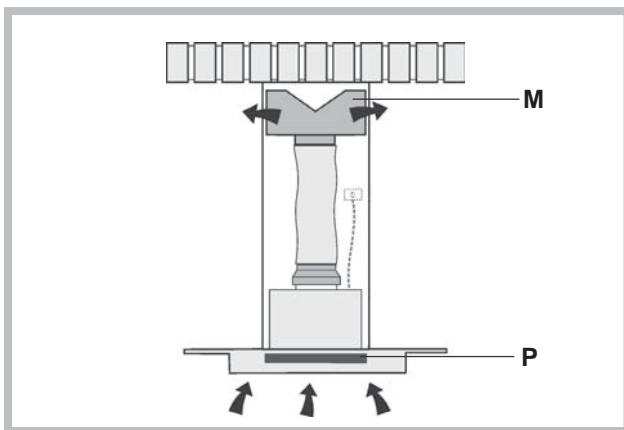
## Filtering version

The hood aspirates air from the kitchen impregnated with fumes and smells, purifies it through the grease filters and the charcoal filter, and then circulates clean air back into the room.

This version requires an air baffle (M) and a charcoal filter (P).

In order to maintain constant efficiency, the charcoal filter must periodically be replaced.

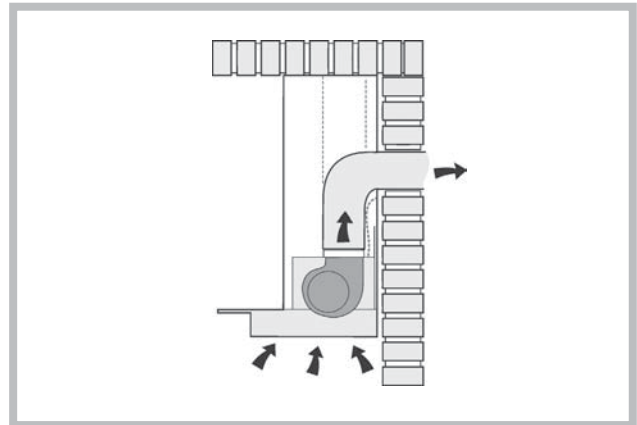
If the hood is not fitted with the charcoal filter, request one from the dealer.



## Ducting version

The hood aspirates air from the kitchen impregnated with fumes and smells, passes it through the grease filters and then expels it to the outside through an exhaust duct.

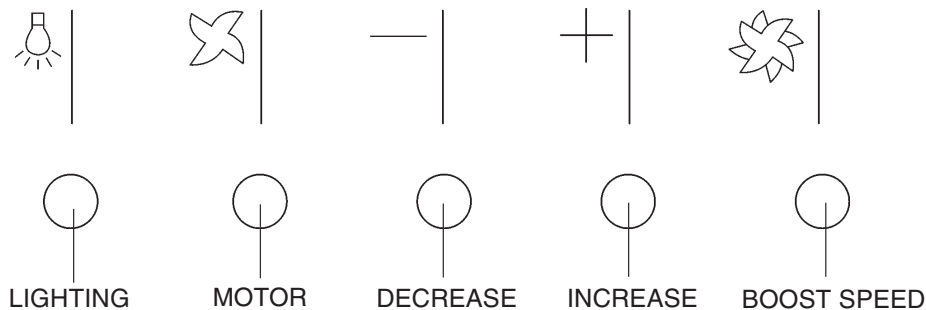
For this version the charcoal filter does not need to be used.



# Operation

GB

## Controls



### Light button

Turns the lights on/off.



### Motor button

Activates/deactivates the motor.

The motor is activated at the last speed set.

### — Speed decrease button

Repeatedly pressing the button will reduce the motor speed until reaching the minimum speed.



### Speed increase button

Repeatedly pressing the button will increase the motor speed until reaching the maximum speed.



### Boost speed button

Activates the motor at boost speed for 10 minutes, after which the motor goes back to running at the speed set previously.

- ! Always switch off the electricity supply before carrying out any cleaning or servicing operations on the appliance.
- ! To avoid possible risks of fire always comply with the indicated instructions when cleaning grease filters and when removing grease deposits from the appliance.

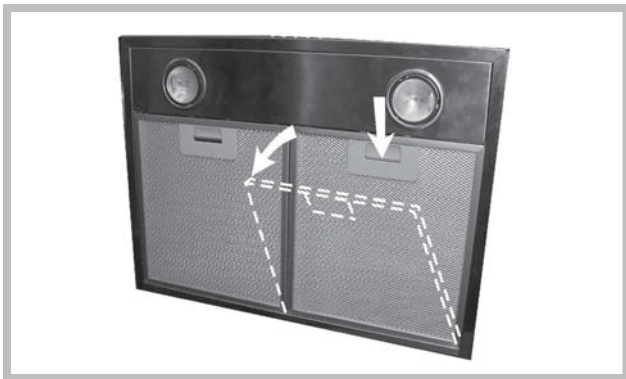
Careful maintenance will assure good functioning and good efficiency over time.

## Cleaning the hood

Any fat deposits should be removed from the appliance periodically depending on amount of use (at least every 2 months). Avoid using abrasive or corrosive products. To clean painted appliances on the outside, use a cloth dipped in lukewarm water and neutral detergent. To clean steel, copper or brass appliances on the outside, it is always best to use specific products, following the instructions on the products themselves. To clean the inside of the appliance, use a cloth (or brush) dipped in denatured ethyl alcohol.

## Cleaning the grease filters

To remove the grease filters, push the catch near the handle towards the inside and pull the filter downwards.

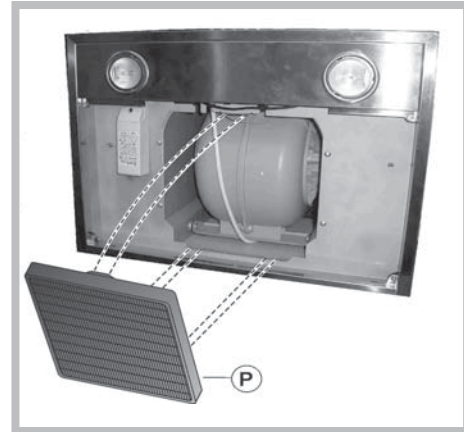


Wash the filters by hand or in the dishwasher using a neutral detergent. If they are washed in the dishwasher, any loss of colour will not jeopardise functioning of the filters in any way.

Clean the grease filters every 2 months on average depending on how heavily the hood is used.

## Replacing the charcoal filter

If using the hood in the filtering version, the charcoal filter (P) will periodically have to be replaced. First of all, remove the metal grease filters. Push the catch towards the inside and remove the charcoal filter from its seat.



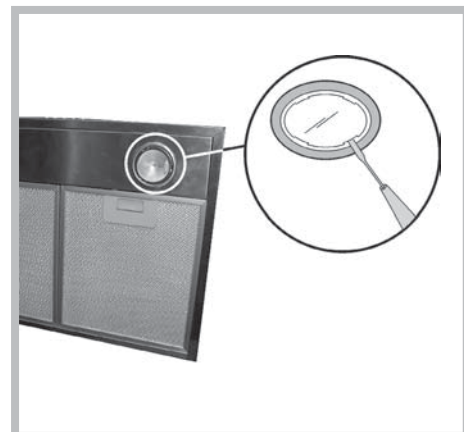
Replace the charcoal filter with one of the same type by carrying out the operations in reverse order.

Replace the charcoal filter on average every 6 months depending on how heavily the hood is used.

## Replacing the lamps

Pay particular ATTENTION when carrying out this operation and remember to remove the voltage. To replace the halogen lamps, open the cover by prising in the slots. Replace with lamps of the same type.

**WARNING: Do not touch the new lamp with bare hands.**



## General safety

- ! The distance between the supporting surface for the cooking vessels on the hob and the lower part of the hood must be at least 65 cm.  
If the instructions for installation for the hob specify a greater distance, this has to be taken into account.
- ! **ATTENTION:** This appliance must be grounded. When making the electrical connection, ensure that the power outlet is earthed.  
When making the electrical connections, check that the current socket has a ground connection.
- ! Avoid using materials which could cause spurts of flame (flambées) near the appliance.
- ! When frying, take particular care to prevent oil and grease from catching fire. Already used oil is especially dangerous in this respect.
- ! Do not use uncovered electric grates.
- ! **Do not place weights above the hood.**

## Air vent

Should you install the ducting version, prepare the air vent hole and duct.

In the Ducting version, to get optimal conditions the air venting pipe should: be as short as possible, have the lowest number of bends (max bend angle: 90°, be made of material approved by local authorities (according to the State), have its inner side as regular and smooth as possible. It is moreover recommended to avoid drastic changes of pipe cross section (recommended diameter: 150 mm).

- ! The air collected must not be conveyed into a duct used to blow off smokes from appliances fed with an energy other than electricity (central heating systems, thermosiphons, water-heaters, etc.).
- ! Comply with the official instructions provided by the competent authorities in merit when installing the disposal duct. In addition, exhaust air should not be discharged into a wall cavity, unless the cavity is designed for that purpose.
- ! The room must be well aerated in case a hood and some other heat equipment fed with an energy other than electricity (gas, oil, coal heaters, etc) operate at the same time. In fact the ducting hood, disposing of air, could create a vacuum in the room. The vacuum should not exceed 0,04mbar.  
This prevents the gas exhausted by the heat source from being intaken again. It is therefore advisable to ensure the room contains air taps able to ensure a steady flow of fresh air.



## Disposal

The European Directive 2002/96/EC on Waste Electrical and Electronic Equipment (WEEE), requires that old household electrical appliances must not be disposed of in the normal unsorted municipal waste stream.

Old appliances must be collected separately in order to optimise the recovery and recycling of the materials they contain and reduce the impact on human health and the environment.

The crossed out “wheeled bin” symbol on the product reminds you of your obligation, that when you dispose of the appliance it must be separately collected.

Consumers should contact their local authority or retailer for information concerning the correct disposal of their old appliance.