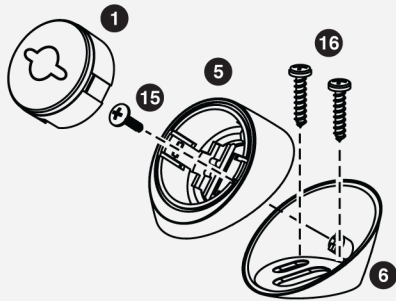
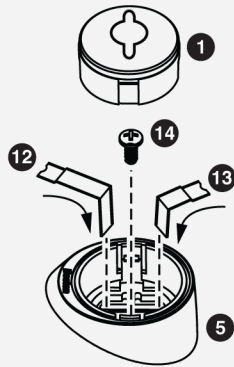


SC60

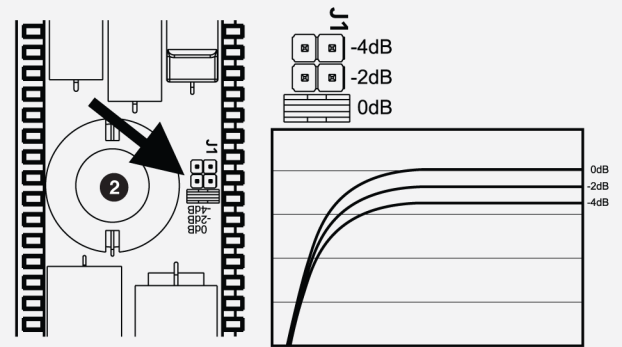
Surface-Angle Mount



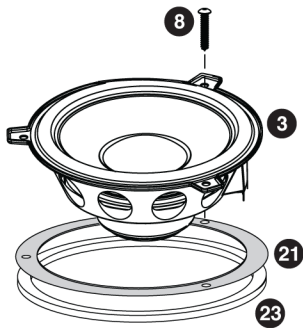
Flush-Angle Mount



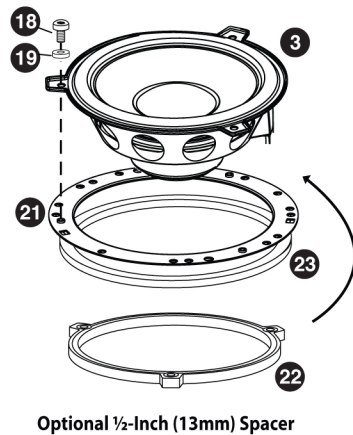
Tweeter Level Adjustment



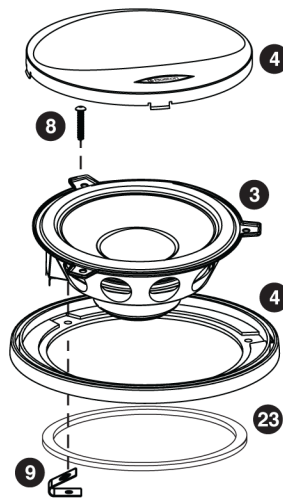
6-inch (160mm) Adapter



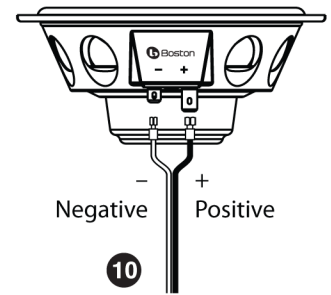
6½-inch (165mm) Adapter



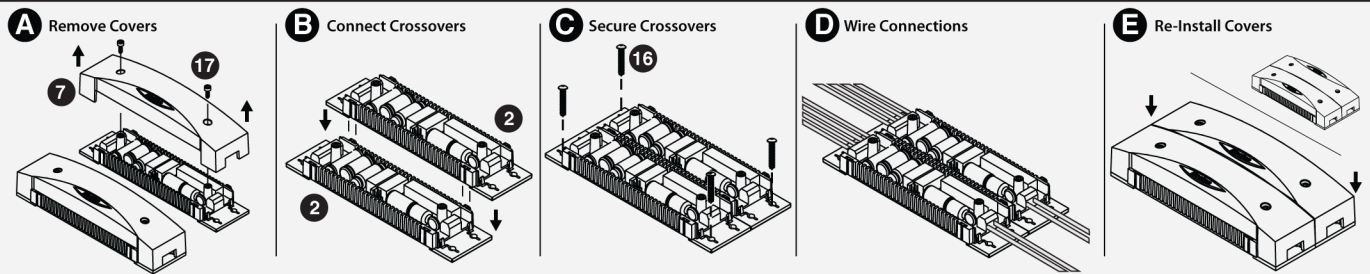
Grille Installation



SC60 Woofer Wiring



Connecting Crossover Cases



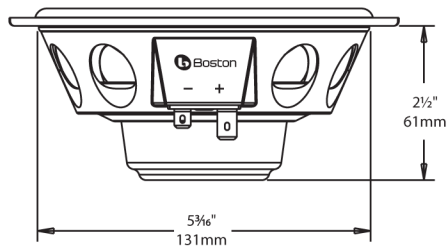
performance standard coaxial speakers

SC60

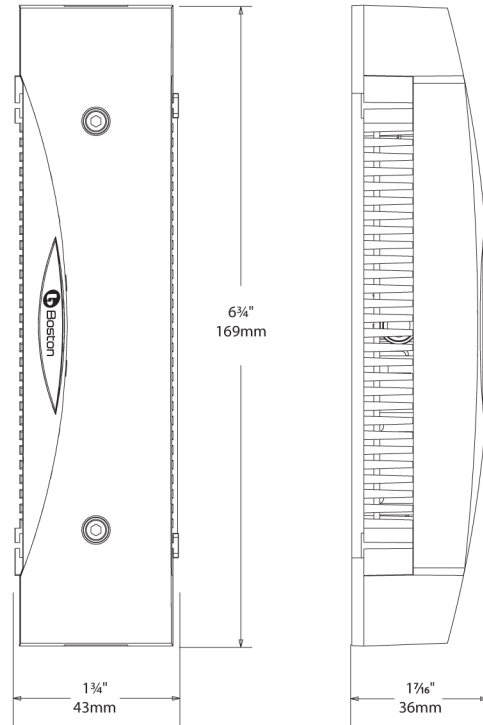
Specifications:	SC60
Nominal Size	6½" (160/165mm)
RMS Power Handling	65w
Peak Power Handling	180w
Frequency Response (±3dB)	55-20kHz
Impedance	4Ω
Sensitivity (1w/1M)	90dB

#	Description	Quantity
1	Type S2 ¾" Tweeter	2
2	SC60 Crossover	2
3	SC60 Woofer	2
4	SC60 Woofer Grille	2
5	Flush-Angle Tweeter Mount	2
6	Surface-Angle Tweeter Mount	2
7	SC60 Crossover Cover	2
8	Self Tapping Screw	8
9	Spring Clip	8
10	Terminated Woofer Wire	2
11	Terminated Tweeter Wire	2
12	Spring Clip-Front	2
13	Spring Clip-Rear	2
14	M4x10mm (¾")	2
15	M3x12mm (½")	2
16	M4x20mm (¾")	8
17	#6 x ¾" Silver Socket Head Screw	4
18	#8 x ⅛" Pan Head Screw	6
19	Nylon Washer	6
20	6" (160mm) Adapter Ring	2
21	6½" (165mm) Adapter Ring	2
22	½" Spacer Ring	2
23	Woofer Gasket	2
not shown	16/18AWG. Connector Barrel	8

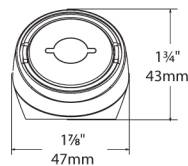
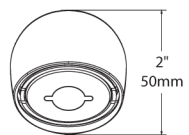
Woofer Dimensions



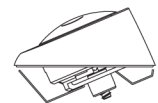
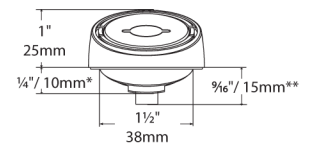
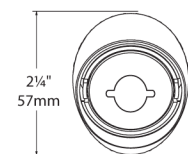
Crossover Dimensions



Surface-Angle Tweeter Mount Dimensions



Flush-Angle Tweeter Mount Dimensions



* Depth Without Spring Clip
** Depth With Spring Clip