

TC14 Conveyor Toaster

Model:

- TC14E35

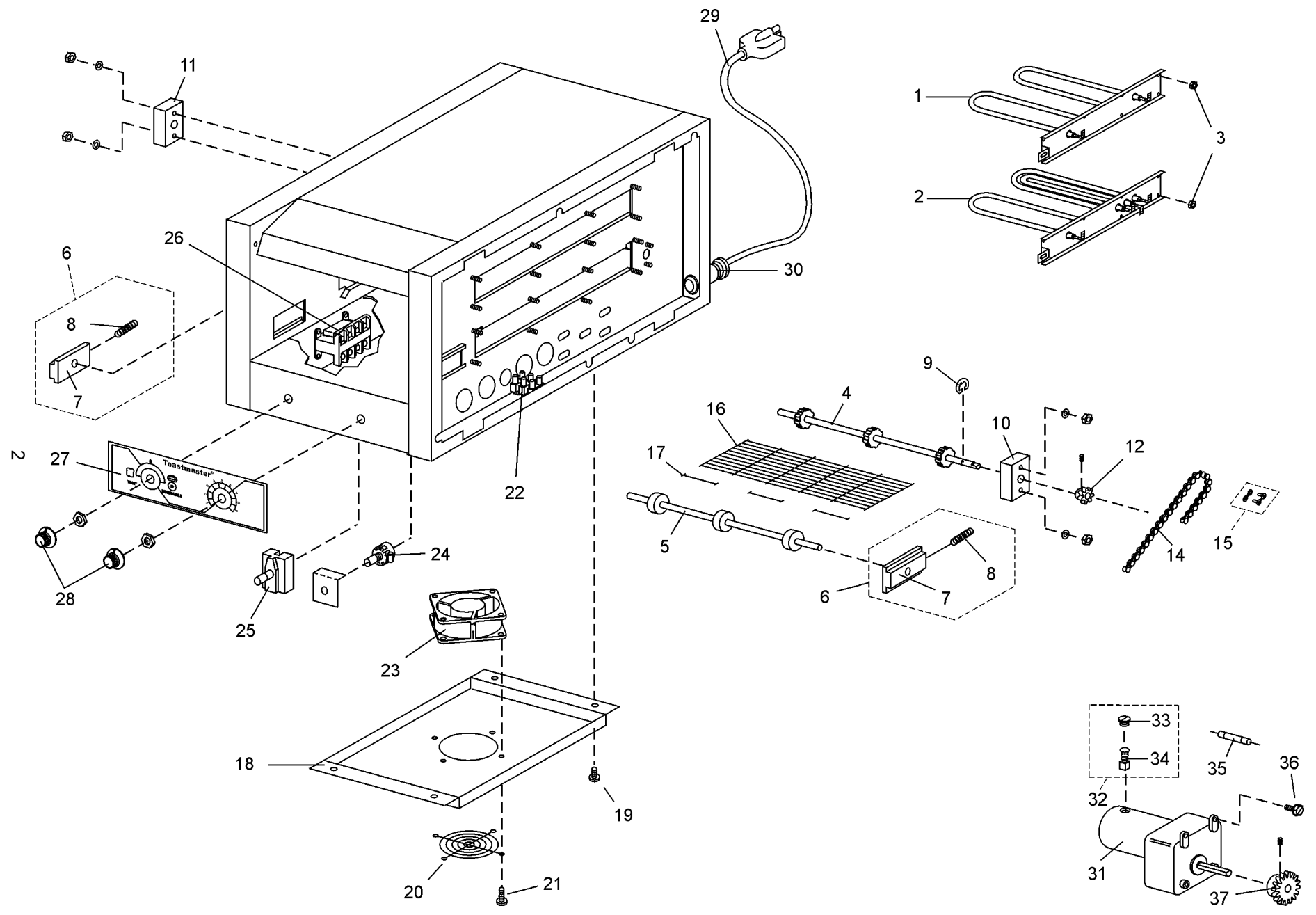
PARTS MANUAL

for European export toasters

© 2000 Toastmaster, A Middleby Company.

Toastmaster is a registered trademark of Toastmaster, A Middleby Company. All rights reserved.

Middleby Cooking Systems Group • 1400 Toastmaster Drive • Elgin, IL 60120 • (847)741-3300 • FAX (847)741-4406



COMPONENTS

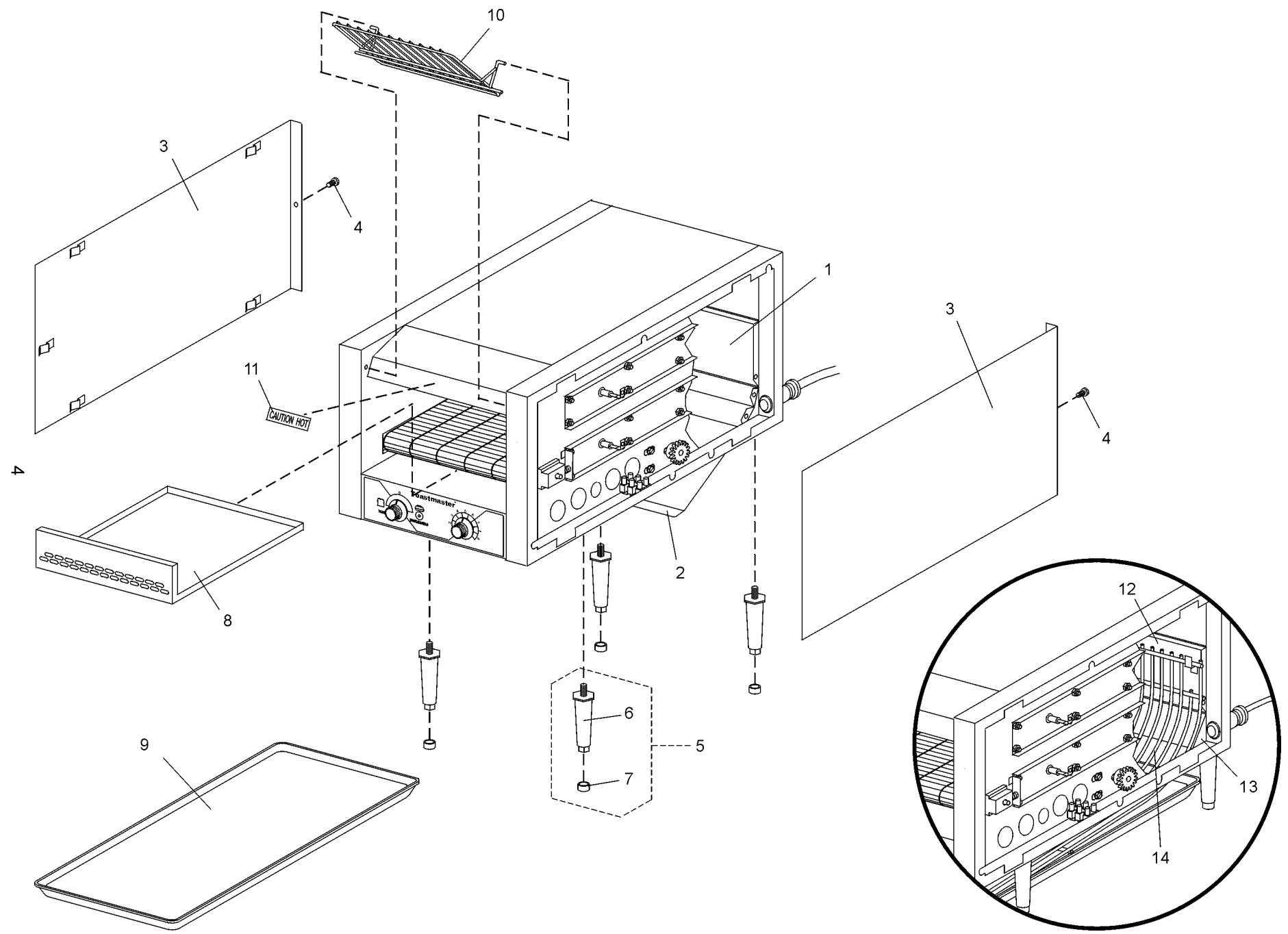
ITEM	QTY.	P/N	DESCRIPTION
1	1	33424	TC14 230V EUROPEAN TOASTER TOP HEATER ASSY(240V/1060W)
2	1	33425	TC14 230V EUROPEAN TOASTER BOTTOM HEATER ASSY (240V/1060W+250W)
3	16	2001371	NUT, KEPS 10-32
4	1	33397	SHAFT ASSEMBLY, REAR (with sprockets)
5	1	33396	SHAFT ASSEMBLY, FRONT (with smooth rollers)
6	2	7610849	KIT, FRONT BEARING ASSEMBLY (inc. items 7-8)
7	1	7008178	BEARING, FRONT
8	1	3103262	SPRING
9	1	3102930	RETAINER, E-RING, 5/16"/7.9mm
10	1	7006964	BEARING, REAR RIGHT
11	1	7006963	BEARING, REAR LEFT
12	1	34129	SPROCKET, DRIVE SHAFT, 12T
14	1	7007605	DRIVE CHAIN (15"/381mm)
15	1	3101212	MASTER LINK, DRIVE CHAIN
16	1	33392	BELT, CONV (10" x 25"/254x635mm, 85 links)
17	3	33394	MASTER LINK, CONVEYOR BELT
18	1	42681	BOTTOM PANEL
19	4	3B20A8801	SCREW, HWH 8-32 x 3/8"
20	1	27470-0004	FAN GRILLE
21	4	21226-0007	SCREW, SLT PNHD 10-24 x 1/2"
22	1	33406	TERMINAL BLOCK, 3-POLE
23	1	27392-0002	COOLING FAN, 115V
24	1	31141	SPEED CONTROLLER FOR DC MOTOR
25	1	33388	SWITCH, PRODUCT SELECTION, 3-POSITION
26	1	30697	TRANSFORMER, 230Vp:115Vs

ITEM	QTY.	P/N	DESCRIPTION
27	1	39344	LABEL, CONTROL PANEL
28	2	33402	KNOB
29	1	36439	CORD & PLUG (Kabelmetal-type HO7RN-F cord with 3x1,5mm conductors and moulded-on 250V, 16A plug)
30	1	33412	STRAIN RELIEF, BLACK PLASTIC
--	1	31615	MOTOR & FUSE ASSEMBLY (inc. items 31-35)
31	1	3002757	MOTOR, CONVEYOR DRIVE, 115VDC
32	1	30155	KIT, MTR BRUSH & CAP (inc. items 33-34)
33	2	30154	CAP, PLASTIC
34	2	30153	MOTOR BRUSH
35	1	31053	FUSE, 0.25A 125V
36	4	2000177	SCREW, SLT HEX WSHR HD #10-32 X 1/4"
37	1	34128	SPROCKET, MOTOR, 20T (with set screw)

NOT SHOWN:

--	1	34897	RFI FILTER
--	3	36437	FUSE, 1.0A 250V
--	1	33387	BOTTOM COMPARTMENT INSULATION, FOIL-BACKED
--	4	3101254	INSULATION CLIPS
--	1	34082	WIRESET
--	1	30930	CORDSET, COOLING FAN

**TC14/TC18
EUROPE**



PANELS, TRAYS, AND MISCELLANEOUS

<i>ITEM</i>	<i>QTY.</i>	<i>P/N</i>	<i>DESCRIPTION</i>
1	1	39541	PANEL, REAR EXIT
2	1	39552	EXIT CHUTE
3	2	33253	PANEL, SIDE
4	A/R	3B20A8801	SCREW, HWH 8-32 x 3/8"
5	4	32123	ASSY, LEG, 4" / 102mm (<i>inc. items 10-11</i>)
6	1	1523B8301	LEG, 4" / 102mm
7	1	31253	CAP (<i>rubber</i>)
8	1	33390	CRUMB TRAY, SLIDE-IN
9	1	33391	RETURN TRAY
10	1	33410	ENTRANCE RACK
11	1	321049	LABEL, CAUTION - HOT

PREVIOUS DESIGN:

12	1	(obsolete)	PANEL, REAR EXIT (<i>with hangers</i>) <i>Replace with Kit 39543 (see SERVICE KITS)</i>
13	1	(obsolete)	PANEL, LOWER REAR <i>Replace with Kit 39544 (see SERVICE KITS)</i>
14	1	(obsolete)	EXIT RACK, WIRE <i>Replace with Kit 39544 (see SERVICE KITS)</i>

SERVICE KITS:

--	--	39543	KIT, REAR EXIT PANEL UPDATE <i>Replaces items 15, 16, and 17 with items 4 and 5</i> <i>Includes conversion instructions</i>
--	--	39544	KIT, EXIT CHUTE UPDATE <i>Replaces items 16 and 17 with item 5</i> <i>Includes conversion instructions</i>

NOT SHOWN:

--	1	39426	OWNER'S OPERATING MANUAL, TC14 EUROPEAN EXPORT TOASTERS
----	---	-------	---

WARNING

Improper installation, adjustment, alteration, service or maintenance can cause property damage, injury or death. Read the installation, operating and maintenance instructions thoroughly before installing or servicing this equipment.

NOTICE

During the warranty period, ALL parts replacement and servicing should be performed by your Toastmaster Authorized Service Agent. Service that is performed by parties other than your Toastmaster Authorized Service Agent may void your warranty.

NOTICE

Using any parts other than genuine Toastmaster factory manufactured parts relieves the manufacturer of all warranty and liability.

NOTICE

Toastmaster reserves the right to change specifications at any time.