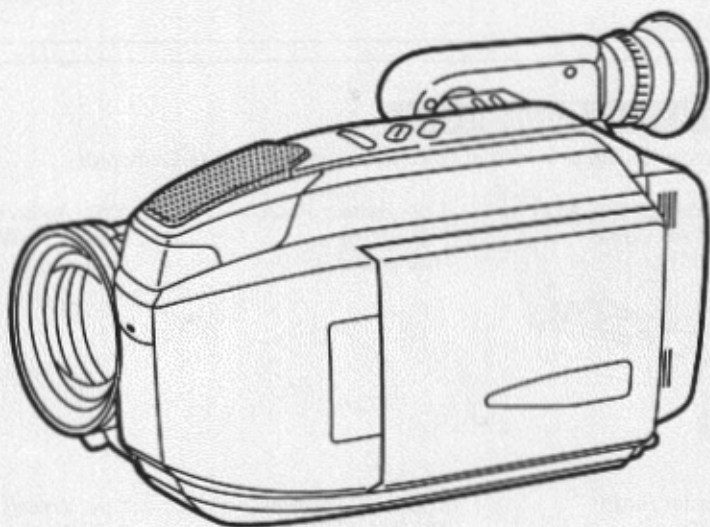


Panasonic®

Palmcorder® PalmSight™

Camcorder

Operating Instructions



VHS

PV-L578

Please read these instructions carefully before attempting to operate this product. Please save this manual.

Spanish Quick Use Guide is included.

Guía para rápida consulta en español está incluida.

VQTW0692(A)

Things You Should Know

Thank you for choosing Panasonic!

You have purchased one of the most sophisticated and reliable products on the market today. Used properly, it will bring you years of enjoyment. Please take time to fill in the information below. The serial number is on the tag located on the underside of your Camcorder. Be sure to retain this manual as your convenient Camcorder information source.

Date of Purchase _____

Dealer Purchased From _____

Dealer Address _____

Dealer Phone No. _____

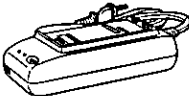
Model No. _____

Serial No. _____

Unpack your Camcorder

These accessories are provided in order to set up or use your Camcorder.

1 pc. AC Adaptor (PV-A17)
with DC Power Cable
(see page 11)



1 pc. Battery Pack
(PV-BP18)
(see pages 9, 10)



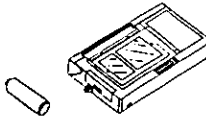
1 pc. Audio/Video
Cable (VJAW0039)
(see pages 30, 41)



1 pc. Shoulder Strap
(VYCW0149)
(see page 21)



1 pc. VHS PlayPak
(PV-P1/VYMW0009)
and one "AA" battery
(see page 31)



1 pc. Wiping Cloth
(VFCW0001)



1 pc. CR2025 Clock
Battery (VSBW0004)
(installed in Camcorder)
(see page 17)



Use this wiping cloth to clean the display screen of finger prints and other smudges.

Things You Should Know





Safety Precautions

WARNING: TO PREVENT FIRE OR SHOCK HAZARD, DO NOT EXPOSE THIS EQUIPMENT TO RAIN OR MOISTURE.

Your Compact VHS Camcorder is designed to record and play back in Standard Play (SP) and Super Long Play (SLP) modes. You can also play a Compact VHS Camcorder recording on your VHS VCR using the VHS PlayPak supplied.

This Camcorder is equipped with the HQ System to provide excellent video pictures, and is compatible with standard VHS equipment.

It is recommended that only cassette tapes that have been tested and inspected for use in VCR machines with the **VHS-C** and/or **VHS** mark be used.

| | | | | |
|---|---|---|---|--|
|  | CAUTION RISK OF ELECTRIC SHOCK DO NOT OPEN |  |  | This symbol warns the user that uninsulated voltage within the unit may have sufficient magnitude to cause electric shock. Therefore, it is dangerous to make any kind of contact with any inside part of this unit. |
| CAUTION: TO REDUCE THE RISK OF ELECTRIC SHOCK, DO NOT REMOVE COVER (OR BACK) NO USER-SERVICEABLE PARTS INSIDE REFER SERVICING TO QUALIFIED SERVICE PERSONNEL | | |  | This symbol alerts the user that important literature concerning the operation and maintenance of this unit has been included. Therefore, it should be read carefully in order to avoid any problems. |

The above markings are located on the appliance bottom cover.

FCC Warning: Any unauthorized changes or modifications to this equipment would void the user's authority to operate.

This device complies with Part 15 of the FCC Rules. Operation is subject to the following two conditions: (1) This device may not cause harmful interference, and (2) this device must accept any interference received, including interference that may cause undesired operation.

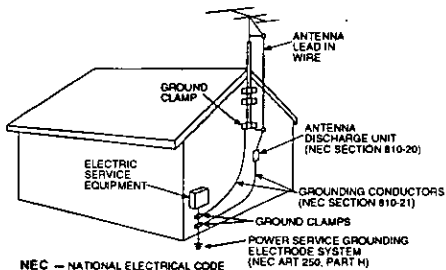
Note: This equipment has been tested and found to comply with Part 15 and part 18 of the FCC Rules. These limits are designed to provide reasonable protection against harmful interference when operated in a residential environment.

If this equipment does cause interference to radio or television reception, which can be determined by turning the equipment off and on, use the equipment in another location and/or utilize an electrical outlet different from that used by the receiver.

If necessary, consult the dealer or an experienced radio/TV technician for help. You may find the booklet, 'Something About Interference' available from FCC local regional offices helpful.

Important Safeguards

- 1. Read Instructions** — All the safety and operating instructions should be read before the unit is operated.
- 2. Retain Instructions** — The safety and operating instructions should be retained for future reference.
- 3. Heed Warnings** — All warnings on the unit and in the operating instructions should be adhered to.
- 4. Follow Instructions** — All operating and maintenance instructions should be followed.
- 5. Cleaning** — Unplug this video unit from the wall outlet before cleaning. Do not use liquid or aerosol cleaners. Use a dry cloth for cleaning.
- 6. Attachments** — Do not use attachments not recommended by the video product manufacturer as they may be hazardous.
- 7. Water and Moisture** — Do not use this video unit near water — for example near a bath tub, wash bowl, kitchen sink, or laundry tub, in a wet basement, or near a swimming pool, and the like.
- 8. Accessories** — Do not place this video unit on an unstable cart, stand, tripod, bracket, or table. The video unit may fall, causing serious injury to a child or adult, and serious damage to the unit. Use only with a cart, stand, tripod, bracket, or table recommended by the manufacturer, or sold with the video unit. Any mounting of the unit should follow the manufacturer's instructions and should use a mounting accessory recommended by the manufacturer. An appliance and cart combination should be moved with care. Quick stops, excessive force, and uneven surfaces may cause the appliance and cart combination to overturn.
- 9. Ventilation** — Slots and openings in the cabinet are provided for ventilation and to ensure reliable operation of the video unit and to protect it from overheating. These openings must not be blocked or covered. Never place the video unit on a bed, sofa, rug, or other similar surface, or near or over a radiator or heat register. This video unit should not be placed in a built-in installation such as a bookcase or rack unless proper ventilation is provided or the manufacturer's instructions have been adhered to.
- 10. Power Sources** — This video unit should be operated only from the type of power source indicated on the marking label. If you are not sure of the type of power supply to your home, consult your appliance dealer or local power company. For video units intended to be operated from battery power, or other sources, refer to the operating instructions.
- 11. Grounding or Polarization** — This video unit may be equipped with either a polarized 2-wire AC (Alternating Current) line plug (a plug having one blade wider than the other) or 3-wire grounding type plug, a plug having a third (grounding) pin. The 2-wire polarized plug will fit into the power outlet only one way. This is a safety feature. If you are unable to insert the plug fully into the outlet, try reversing the plug. If the plug still fails to fit, contact your electrician to replace your obsolete outlet. Do not defeat the safety purpose of the polarized plug. The 3-wire grounding type plug will fit into a grounding type power outlet. This is a safety feature. If you are unable to insert the plug into the outlet, contact your electrician to replace your obsolete outlet. Do not defeat the safety purpose of the grounding type plug.
- 12. Power-Cord Protection** — Power-supply cords should be routed so that they are not likely to be walked on or pinched by items placed upon or against them. Paying particular attention to cords of plugs, convenience receptacles, and the point where they exit from the unit.
- 13. Outdoor Antenna Grounding** — If an outside antenna or cable system is connected to the video unit, be sure the antenna or cable system is grounded so as to provide some protection against voltage surges and built-up static charges. Part 1 of the Canadian Electrical Code, in USA Section 810 of the National Electrical Code, provides information with respect to proper grounding of the mast and supporting structure, grounding of the lead-in wire to an antenna discharge unit, size of grounding conductors, location of antenna discharge unit, connection to grounding electrodes, and requirements for the grounding electrode.
- 14. Lightning** — For added protection of this video unit receiver during a lightning storm, or when it is left unattended and unused for long periods of time, unplug it from the wall outlet and disconnect the antenna or cable system. This will prevent damage to the video unit due to lightning and power-line surges.



Important Safeguards

15. **Power Lines** — An outside antenna system should not be located in the vicinity of overhead power lines or other electric light or power circuits, or where it can fall into such power lines or circuits. When installing an outside antenna system, extreme care should be taken to keep from touching such power lines or circuits as contact with them might be fatal.
16. **Overloading** — Do not overload wall outlets and extension cords as this can result in a risk of fire or electric shock.
17. **Objects and Liquids** — Never push objects of any kind into this video unit through openings as they may touch dangerous voltage points or short out parts that could result in a fire or electric shock. Never spill liquid of any kind onto the video unit.
18. **Servicing** — Do not attempt to service this video unit yourself as opening or removing covers may expose you to dangerous voltage or other hazards. Refer all servicing to qualified service personnel.
19. **Damage Requiring Service** — Unplug this video unit from the wall outlet and refer servicing to qualified service personnel under the following conditions:
 - a. When the power-supply cord or plug is damaged.
 - b. If any liquid has been spilled onto, or objects have fallen into the video unit.
 - c. If the video unit has been exposed to rain or water.
 - d. If the video unit does not operate normally by following the operating instructions. Adjust only those controls that are covered by the operating instructions, as an improper adjustment of other controls may result in damage and will often require extensive work by a qualified technician to restore the video unit to its normal operation.
 - e. If the video unit has been dropped or the cabinet has been damaged.
 - f. When the video unit exhibits a distinct change in performance — this indicates a need for service.
20. **Replacement Parts** — When replacement parts are required, be sure the service technician has used replacement parts specified by the manufacturer or have the same characteristics as the original part. Unauthorized substitutions may result in fire, electric shock or other hazards.
21. **Safety Check**— Upon completion of any service or repairs to this video unit, ask the service technician to perform safety checks to determine that the video unit is in safe operating order.

Precautions

USE & LOCATION

- **TO AVOID SHOCK HAZARD ...** Your Camcorder and power supply should not be exposed to rain or moisture. Do not connect the power supply or operate your Camcorder if it gets wet. Your Camcorder has been designed for outdoor use, however it is not designed to sustain direct exposure to water, rain, sleet, snow, sand, dust, or a direct splashing from a pool or even a cup of coffee. This action could permanently damage the internal parts of your Camcorder. Do not attempt to disassemble this unit. There are no user serviceable parts inside. Unplug your Camcorder from the power supply before cleaning.
- **DO NOT AIM YOUR CAMCORDER AT THE SUN OR OTHER BRIGHT OBJECTS.**
- **DO NOT LEAVE THE CAMCORDER WITH THE EVF AIMED DIRECTLY AT THE SUN AS THIS MAY CAUSE DAMAGE TO THE INTERNAL PARTS OF THE EVF.**
- **DO NOT EXPOSE YOUR CAMCORDER TO EXTENDED HIGH TEMPERATURE ...** Such as, in direct sunlight, inside a closed car, next to a heater, etc... This action could permanently damage the internal parts of your Camcorder.
- **AVOID SUDDEN CHANGES IN TEMPERATURE ...** If the unit is suddenly moved from a cold place to a warm place, moisture may form on the tape and inside the unit.
- **DO NOT LEAVE YOUR CAMCORDER OR THE POWER SUPPLY TURNED ON WHEN NOT IN USE.**
- **STORAGE OF YOUR CAMCORDER ...** Store and handle your Camcorder in a manner that will not subject it to unnecessary movement (avoid shaking and striking). Your Camcorder contains a sensitive pick-up device which could be damaged by improper handling or storage.

CARE

- **TO CLEAN YOUR CAMCORDER ...** Do not use strong or abrasive detergents when cleaning your Camcorder body.
- **TO PROTECT THE LENS ...** Do not touch the surface of the lens with your hand. Use a commercial camcorder lens solution and lens paper when cleaning the lens. Improper cleaning can scratch the lens coating.
- **TO PROTECT THE FINISH OF YOUR CAMCORDER ...** Before handling your Camcorder, make sure your hands and face are free from any chemical products, such as suntan lotion, as it may damage the finish.

Table of Contents

Getting Started

| | |
|---|----|
| Things You Should Know | 2 |
| Important Safeguards | 4 |
| Precautions | 5 |
| Self Demo Mode | 7 |
| Quick Operation Guide | 8 |
| Supplying Power | 9 |
| Cassette Information | 12 |
| MENU Mode | 13 |
| Setting the Clock | 14 |
| Electronic Viewfinder/LCD Monitor Indications | 18 |
| Attaching the Shoulder Strap | 21 |
| Built-in Auto Light | 22 |

Basic Operation

| | |
|------------------------------------|----|
| Camera Recording | 23 |
| Playing Back your Recordings | 28 |

Special Features

| | |
|------------------------------------|----|
| Four-Speed Power Zoom | 32 |
| Backlight | 32 |
| Focus | 33 |
| High Speed Shutter | 34 |
| Fade | 35 |
| Time Lapse | 36 |
| Tally Lamp | 37 |
| Intelligent Titler | 38 |
| Copying your Tapes (dubbing) | 41 |

For Your Information

| | |
|--|----|
| Palmcorder Accessory System | 42 |
| Palmcorder Accessory Order Form | 43 |
| Notes Regarding Operations | 44 |
| Specifications | 45 |
| Before Requesting Service | 46 |
| Index of Controls | 48 |
| Index | 53 |
| Warranty | 54 |
| Spanish Quick Use Guide/Guía Para Uso Rápido | 55 |

If the screen at right appears in the EVF/LCD Monitor, the Self Demo mode is on. To turn it off, please follow the steps below.

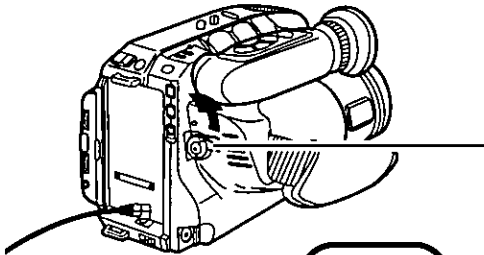
EVF Screen

Panasonic

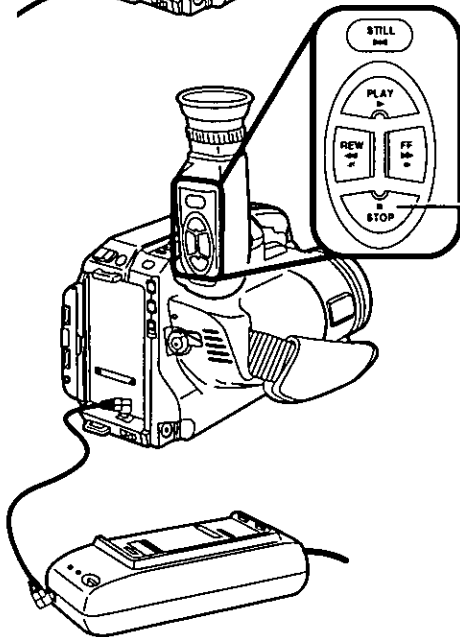
IT'S VHS!

SO ITS TAPES PLAY
IN YOUR VCR

23x HI-DEFINITION LENS
DEDICATED 5-HEAD
AUTO/PHRASE TITLER



1 Set the POWER switch to CAMERA.



2 Hold down the STOP button for more than 5 seconds.

Note:

- The Self Demo mode will automatically turn itself off if a battery is attached (see page 9) and a cassette tape is inserted (see page 12).
- Inserting a tape alone (or attaching a partially charged battery) will only temporarily turn the Self Demo mode off.
- The Self Demo mode will temporarily stop for 30 seconds when a function key other than Power, Manual Focus, Tape Speed Selector, Light, and Still is pressed.

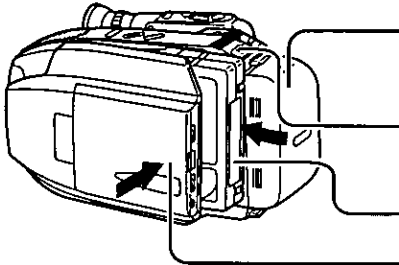
To turn the Self Demo mode on, follow the steps below.

- With the DISPLAY button held down, slide the POWER switch to CAMERA and wait for the Self Demo screen to appear in the EVF.

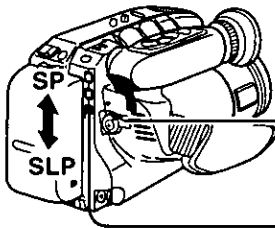
Quick Operation Guide

Camera Recording

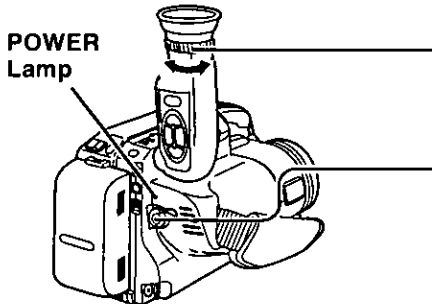
Charge the Battery Pack fully before operation (see page 9).



- 1** Attach a fully charged Battery (see page 9).
- 2** Slide the TAPE EJECT switch to open door.
- 3** Insert cassette (see page 12).
- 4** Press here to close door.

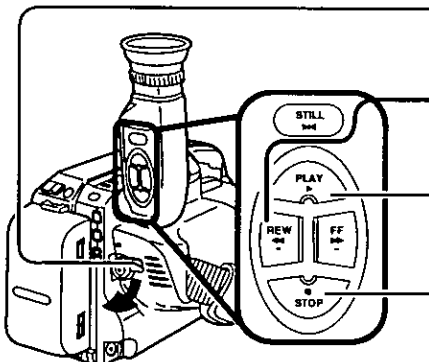


- 5** Set POWER switch to CAMERA. Built-In Lens Cover opens and POWER Lamp lights.
- 6** Slide TAPE SPEED Selector to SP or SLP (see page 12).



- 7** While looking into the Viewfinder, adjust the Vision Adjustment Control to your eyesight.
- 8** Press RECORD/PAUSE to start recording. Press RECORD/PAUSE again to pause recording (see page 23).

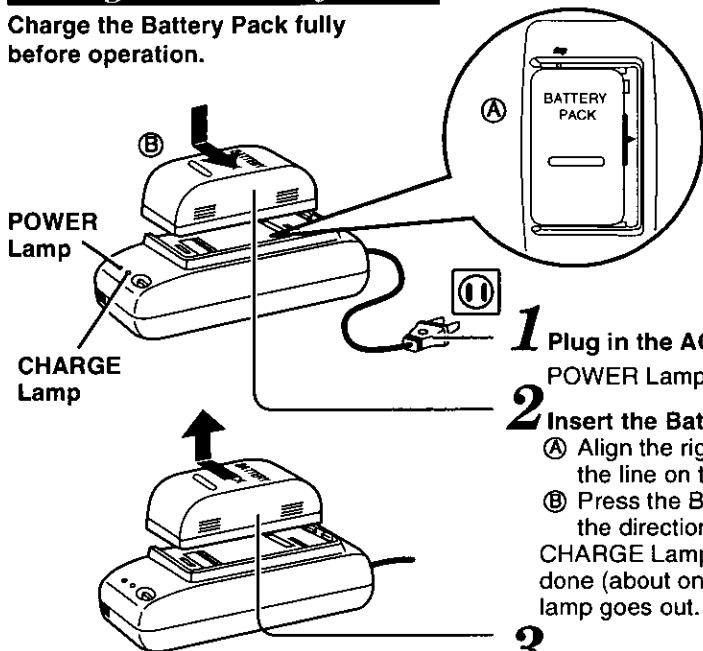
To Watch Playback in the EVF (Electronic Viewfinder)



- 1** Set the POWER switch to VCR.
- 2** Press the REWIND/SEARCH to rewind tape.
- 3** Press PLAY to start playback.
- 4** Press STOP to stop playback.

Charge the Battery Pack

Charge the Battery Pack fully before operation.



1 Plug in the AC Adaptor.
POWER Lamp lights.

2 Insert the Battery
Ⓐ Align the right side of the Battery with the line on the AC Adaptor.
Ⓑ Press the Battery down and slide it in the direction of the arrow.
CHARGE Lamp lights. When charging is done (about one and a half hours) the lamp goes out.

3 Remove the Battery
Slide the Battery out and lift up.

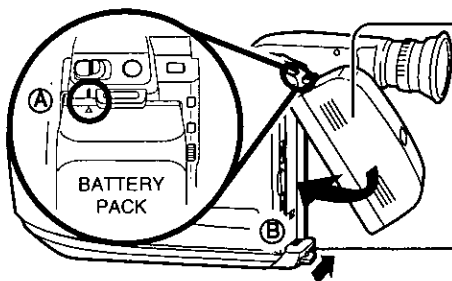
Note:

After recharging the Battery Pack about 5 times, use the BATTERY REFRESH feature as explained on page 10.

- The useful operation time of the Battery will gradually decrease after repeated use and recharging. The Battery is no longer serviceable if the operation time is very short, even after a sufficient charge.

Use the Battery Pack

With a fully charged Battery Pack, you will have a maximum of about 2 hours of continuous use (LCD monitor is off) or about 1 hour of continuous use (LCD monitor is on). (The actual operating time may vary due to operation conditions. If the Built-in Light is used, battery operating time decreases.)



1 Attach the Battery
Ⓐ Align the Battery with the top of the mounting surface.
Ⓑ Press it into place until it locks with a click.

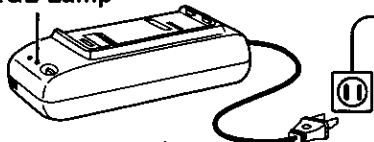
2 Remove the Battery
While sliding the BATTERY RELEASE button, remove the Battery.

Supplying Power

Battery Refresh Feature

This feature completely discharges the Battery before recharging begins. To maintain your Battery's operating capacity, use the refresh feature after about every five charges.

CHARGE Lamp



1 Plug in the AC Adaptor.

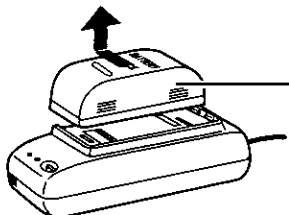
- The POWER Lamp remains lit as long as the AC Adaptor is plugged in.



2 Place the Battery into the AC Adaptor.

3 Press the BATTERY REFRESH button.

The CHARGE Lamp flashes until discharge is complete and then stays lit until the Battery is fully charged.



4 Remove the Battery.

- Should you accidentally press the BATTERY REFRESH button, remove the Battery and then re-insert it to begin charging.
- It takes about 7 and a half hours when both Battery Refresh and recharging are performed.

Battery Care

Caution:

- Charge only with specified charger.
- Battery can be charged within a temperature range of 50° F (10° C) and 95° F (35° C).
- Battery may be warm after charging or just after use. This is normal.
- Do not use an insufficiently charged or worn-out Battery.

Safety precautions:

- Do not get the Battery near, or dispose of in fire.
- Do not directly connect (short circuit) the positive (+) and negative (-) terminals.
- Never attempt to disassemble or reassemble the Battery.

To avoid damage to the Battery:

- Do not drop or jar Battery.
- Use Battery with specified units only.
- If Battery is used in extremely high temperatures, a safety device will automatically prevent operation.

To prolong battery life:

- While not in use, remove Battery from the Camcorder and AC Adaptor and store in a cool, dark, dry place.
- Keep Battery terminals clean.

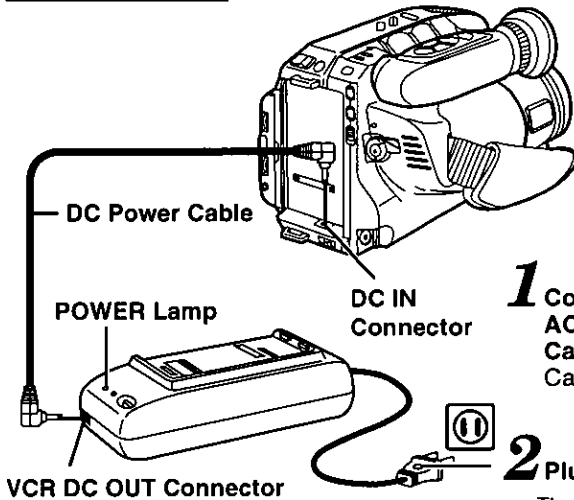
U.S.A. CONSUMERS:

ATTENTION:

The product you have purchased is powered by a nickel cadmium battery which is recyclable. At the end of its useful life, under various state and local laws, it is illegal to dispose of this battery into your municipal waste stream. Please call 1-800-8-BATTERY for information on how to recycle this battery.



AC Adaptor



1 Connect VCR DC OUT on the AC Adaptor to DC IN on the Camcorder with the DC Power Cable (supplied).

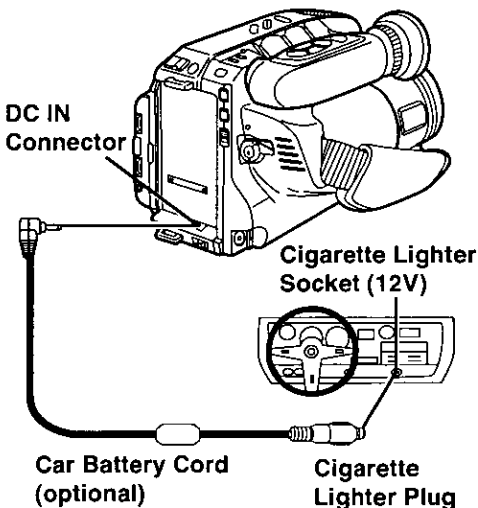
2 Plug in the AC Adaptor.

- The POWER Lamp will light.

Notes:

- AC Adaptor cannot be used to power the Camcorder while charging the Battery.
- While not in use, unplug the AC Adaptor from the AC outlet. (When plugged into an AC outlet, the AC Adaptor consumes 1.2W of electric power when not in use.)

Car Battery Cord (Optional)



1 Connect a PV-C16 Car Battery Cord (optional) to DC IN on the Camcorder.

2 First, start your car engine, and then insert the Car Battery Cord plug into your cigarette lighter socket.

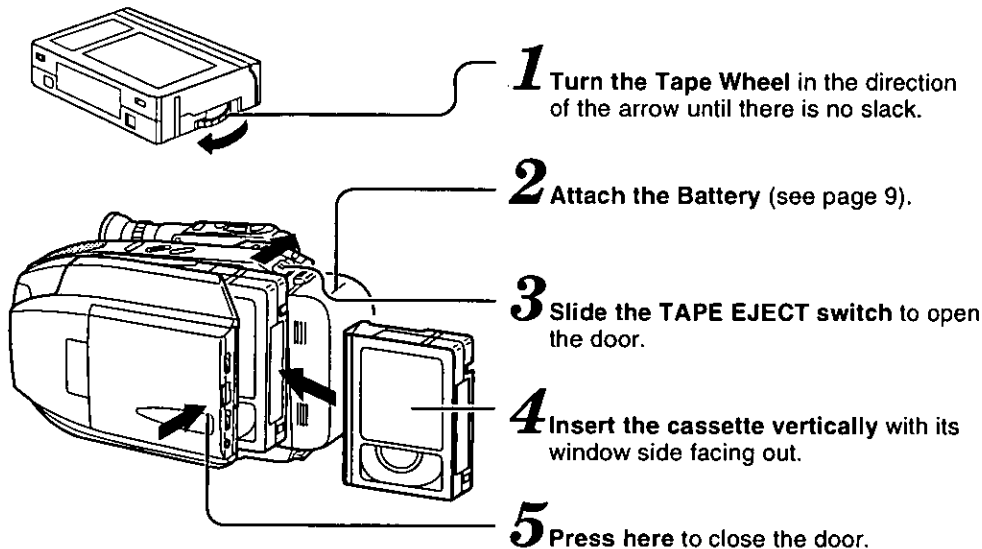
- A fuse is located in the lighter plug end of the cord.
- Should fuse replacement be necessary use the exact current rating (in amps).

Notes:

- This cord can only be used in vehicles equipped with DC 12V (negative ground) batteries. Use only the specified car battery cord. If you are not sure, check with your local car/truck dealer.
- To avoid blowing the fuse, be sure to start your car engine before inserting the cigarette lighter plug of the Car Battery Cord into the lighter socket.
- Because the car is running while your Camcorder is in operation, make sure you're in a well ventilated area.
- Disconnect the cigarette lighter plug when your Camcorder is not being used.

Cassette Information

Cassette Insertion/Removal



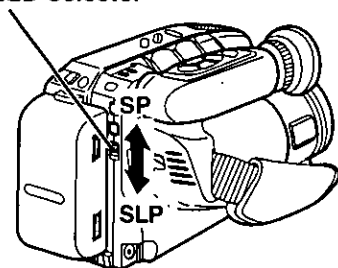
• To remove the cassette, slide the TAPE EJECT switch.

Record/Playback Time

Use tapes with the **VHSC** mark in this unit.

| Tape Speed Selector Position | Cassette type | | |
|------------------------------|---------------|----------------------|------------|
| | T-20 | T-30 | T-40 |
| SP (Standard Play) | 20 minutes | 30 minutes | 40 minutes |
| SLP (Super Long Play) | 1 hour | 1 hour 30 minutes | 2 hours |

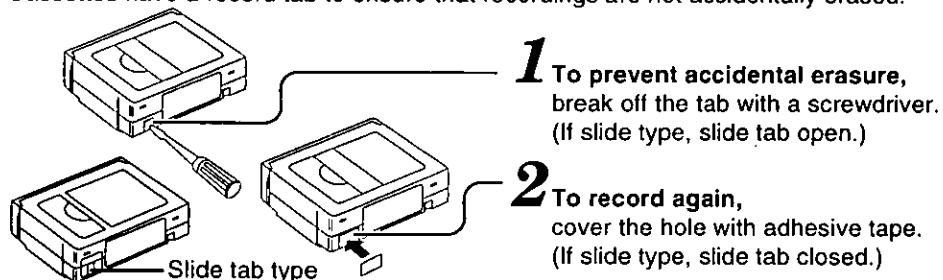
TAPE SPEED Selector



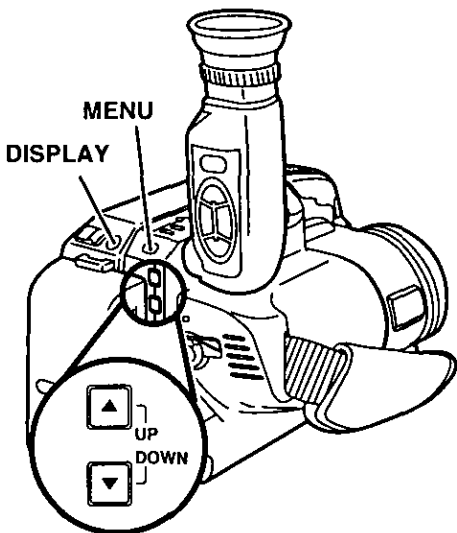
• SLP may have slightly more picture noise during playback.

Erase Protection Tab

Cassettes have a record tab to ensure that recordings are not accidentally erased.



MENU Mode Setting



Before you begin...

- Connect the Camcorder to a power source.
- Set the POWER switch to CAMERA.

1 Press the MENU button to display the MENU mode.

```

--- MENU --- PAGE 1/2
PROGRAMMED REC
TITLE      ; AUTO/MANUAL
TALLY LAMP ; ON
STAND-BY RELEASE ; OFF
CLOCK SET
↓
SELECT : PUSH ▼/▲ KEY
SET    : PUSH DISPLAY KEY
END    : PUSH MENU KEY
    
```

2 Press UP ▲ or DOWN ▼ repeatedly to select a menu item.

3 Press the DISPLAY button to set your selection.

4 Press the MENU button to exit the Menu mode.

Note:

- The Camcorder will exit the Menu mode if, after activation, none of the UP/DOWN(▲/▼), DISPLAY, or MENU buttons are pressed within 5 minutes.

MENU Mode Screen

```

① --- MENU --- PAGE 1/2
② PROGRAMMED REC
③ TITLE      ; AUTO/MANUAL
④ TALLY LAMP ; ON
⑤ STAND-BY RELEASE ; OFF
CLOCK SET
↓
SELECT : PUSH ▼/▲ KEY
SET    : PUSH DISPLAY KEY
END    : PUSH MENU KEY
    
```



```

⑥ --- MENU --- PAGE 2/2
TIME LAPSE ; OFF

SELECT : PUSH ▼/▲ KEY
SET    : PUSH DISPLAY KEY
END    : PUSH MENU KEY
    
```

① **PROGRAMMED REC** (see page 27).

You can program the Camcorder to start and stop recording at a preset time.

② **TITLE** (see pages 38-40).

AUTO/MANUAL : 16 items
PHRASE : 10 items

③ **TALLY LAMP** (see page 37).

The Tally Lamp comes on during recording when set to ON.

④ **STAND-BY RELEASE** (see page 25).

To resume recording from Stand-by mode, when set to ON.

⑤ **CLOCK SET** (see pages 14-16).

To set the clock, select CLOCK SET.

⑥ **TIME LAPSE** (see page 36).

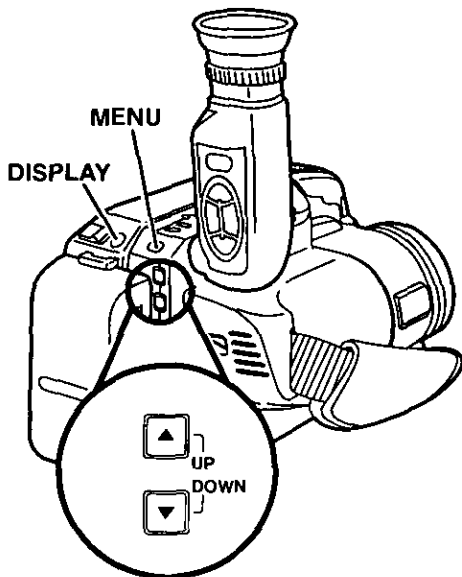
To set the TIME LAPSE, when set to ON.

Setting the Clock

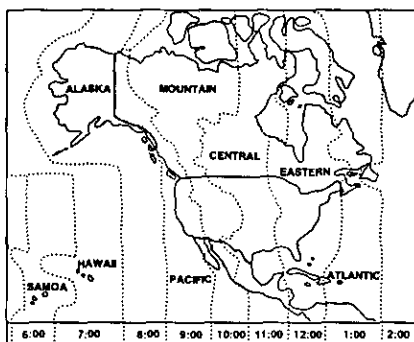
Setting the clock is divided into four sections: Time Zone, Daylight Saving Time, Date and Time, and Clock Battery. Follow instructions in the order presented.

Setting the Time Zone

The Camcorder is set to Eastern time zone at the factory. If you live, or are traveling, in a different time zone, follow the steps to select the appropriate time zone from the menu screen.



Time Zone chart



Note:

When you travel outside the eight time zone chart above, please set the clock manually (see page 16).

Before you begin...

- Connect the Camcorder to a power source.
- Set the POWER switch to CAMERA.

Note:

- When the POWER switch is set to VCR, the CLOCK SET menu will be displayed.
- The Camcorder's clock may lose or gain up to two minutes per month. Please adjust as necessary (refer to page 16).

- 1** Press the MENU button to display the MENU mode. Press UP ▲ or DOWN ▼ repeatedly to select **CLOCK SET**.

```
--- MENU --- PAGE 1/2
PROGRAMMED REC
TITLE      : AUTOMANUAL
TALLY LAMP : ON
STAND-BY RELEASE : OFF
CLOCK SET
↓
SELECT: PUSH ▼/▲ KEY
SET   : PUSH DISPLAY KEY
END   : PUSH MENU KEY
```

- 2** Press the DISPLAY button to display the CLOCK SET menu. Press UP ▲ or DOWN ▼ repeatedly to select **TIME ZONE**.

```
--- CLOCK SET ---
TIME ZONE : EASTERN
D. S. T.   : AUTO
DATE/TIME  : 12:00:00AM
              JAN 1 1998
SELECT: PUSH ▼/▲ KEY
SET   : PUSH DISPLAY KEY
END   : PUSH MENU KEY
```

- 3** Press the DISPLAY button to display the SELECT TIME ZONE menu. Press UP ▲ or DOWN ▼ repeatedly to select desired time zone.

```
--- SELECT TIME ZONE ---
ATLANTIC  PACIFIC
EASTERN ALASKA
CENTRAL   HAWAII
MOUNTAIN  SAMOA
SELECT: PUSH ▼/▲ KEY
SET   : PUSH DISPLAY KEY
```

- 4** Press the DISPLAY button to fix the Time Zone. The CLOCK SET menu appears. Press the MENU button to display the MENU.

To exit from the MENU mode, press the MENU button.

Setting the Daylight Saving Time

The clock will automatically adjust to daylight saving time.

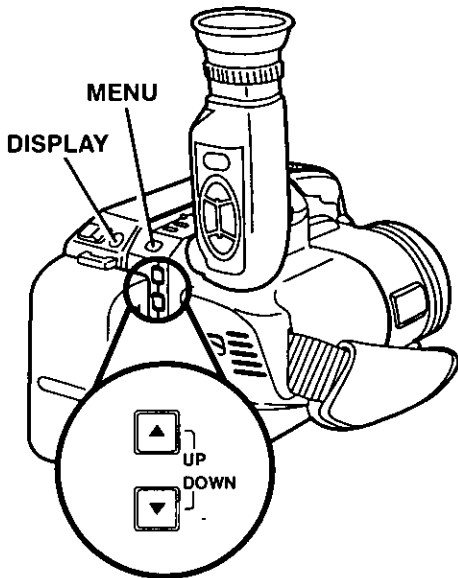
The Camcorder is preset to Daylight Saving Time **AUTO**. If you do not want the clock to be automatically adjusted to daylight saving time, please select **OFF** by following steps 1-4.

Before you begin...

- Connect the Camcorder to a power source.
- Set the POWER switch to CAMERA.

Note:

- When the POWER switch is set to VCR, the CLOCK SET menu will be displayed.
- Daylight saving time feature will not function if time zone is set to Hawaii or Samoa.



- 1 Press the MENU button to display the MENU mode. Press UP ▲ or DOWN ▼ repeatedly to select **CLOCK SET**.

```

--- MENU --- PAGE 1/2
PROGRAMMED REC
TITLE : AUTOMANUAL
TALLY LAMP : ON
STAND-BY RELEASE : OFF
CLOCK SET
↓
SELECT : PUSH ▼/▲ KEY
SET : PUSH DISPLAY KEY
END : PUSH MENU KEY
    
```

- 2 Press the DISPLAY button to display the CLOCK SET menu. Press UP ▲ or DOWN ▼ repeatedly to select **D. S. T.**

```

--- CLOCK SET ---
TIME ZONE : EASTERN
D.S.T. : AUTO
DATE / TIME : 12 : 00 : 00AM
                JAN 1 1998
SELECT : PUSH ▼/▲ KEY
SET : PUSH DISPLAY KEY
END : PUSH MENU KEY
    
```

- 3 Press the DISPLAY button to display the DAYLIGHT SAVING TIME menu. Press UP ▲ or DOWN ▼ to select AUTO ON or OFF.

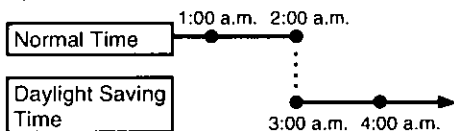
```

-- DAYLIGHT SAVING TIME --
AUTO
OFF
SELECT : PUSH ▼/▲ KEY
SET : PUSH DISPLAY KEY
    
```

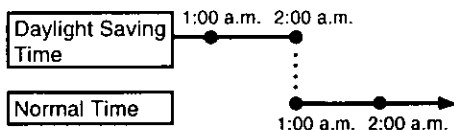
- 4 Press the DISPLAY button to fix the DAYLIGHT SAVING TIME setting. The CLOCK SET menu appears. Press the MENU button to display the MENU.

To exit from the MENU mode, press the MENU button.

Spring (First Sunday in April):
In DAYLIGHT SAVING TIME: AUTO mode, the clock is automatically moved ahead one hour.



Autumn (Last Sunday in October):
In DAYLIGHT SAVING TIME: AUTO mode, the clock is automatically turned back one hour.



Setting the Clock

Setting the Date and Time

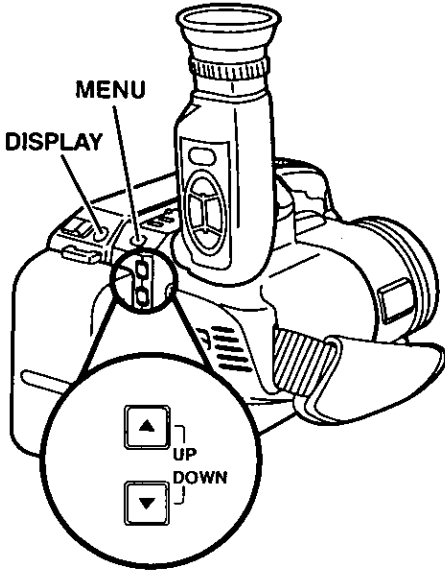
The date and time are calculated, including leap year, up to DEC 31 2096.

Before you begin...

- Connect the Camcorder to a power source.
- Set the POWER switch to CAMERA.

Note:

- When the POWER switch is set to VCR, the CLOCK SET menu will be displayed.



- 1 Press the MENU button to display the MENU mode. Press UP ▲ or DOWN ▼ repeatedly to select **CLOCK SET**.

```
--- MENU --- PAGE 1/2
PROGRAMMED REC
TITLE      : AUTOMANUAL
TALLY LAMP : ON
STAND-BY RELEASE : OFF
CLOCK SET
↓
SELECT: PUSH ▼/▲ KEY
SET    : PUSH DISPLAY KEY
END    : PUSH MENU KEY
```

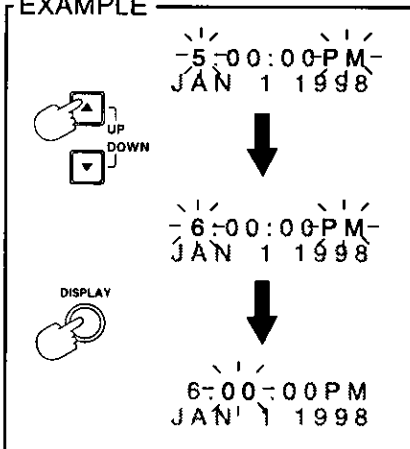
- 2 Press the DISPLAY button to display the CLOCK SET menu. Press UP ▲ or DOWN ▼ repeatedly to select **DATE/TIME**.

```
--- CLOCK SET ---
TIME ZONE : EASTERN
D. S. T.  : AUTO
DATE/TIME: 12:00:00AM
              JAN 1 1998
SELECT: PUSH ▼/▲ KEY
SET    : PUSH DISPLAY KEY
END    : PUSH MENU KEY
```

- 3 Press the DISPLAY button to display the DATE/TIME SETTING menu.

```
--- DATE/TIME SETTING ---
-12:00:00AM-
JAN 1 1998
SELECT: PUSH ▼/▲ KEY
SET    : PUSH DISPLAY KEY
```

EXAMPLE



- 4 Press UP ▲ or DOWN ▼ repeatedly (or hold down) to enter the desired numbers, then press the DISPLAY button to fix that portion and move on. Adjust the flashing digits for the hour, minute, month, day, and year.

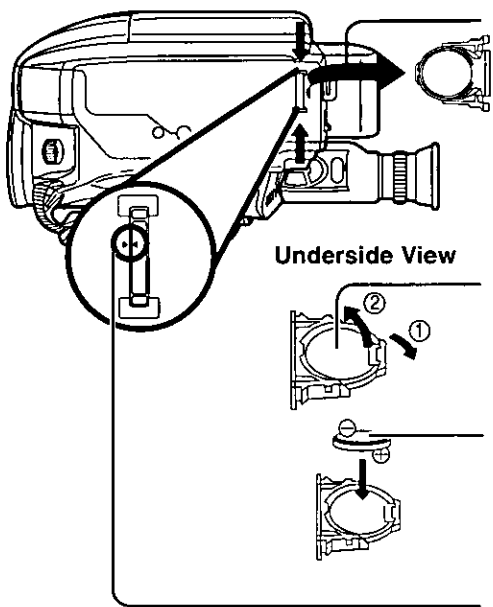
When you finish setting the year, the clock starts operating, and the CLOCK SET menu appears.

Press the MENU button to display the MENU.

To exit from the MENU mode, press the MENU button.

Replacing the Battery

The date and time operates on a miniature battery preinstalled in the underside of your Camcorder.



1 While pinching the stopper tabs, pull the Battery Tray out of the Battery Compartment.

2 Remove the Battery by bending the locking tab outward.

3 Place the new Battery into the Battery tray with the ⊕ mark facing down. Press down until it snaps into place.
• Do not reverse the polarity.

4 Insert the Battery Tray until both triangle marks meet.

WARNING:

Replace battery with Panasonic PART NO. VSBW0004 (CR2025) only. Use of another battery may present a risk of fire or explosion. Caution-battery may explode if mistreated. Dispose of used battery promptly. Keep away from children. Do not recharge, disassemble or dispose of in fire.

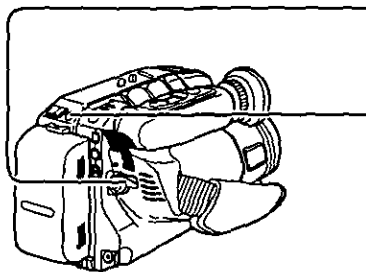
Note:

- Make sure your Camcorder is off when replacing the Battery.
- Keep the Battery out of the reach of children as swallowing it may be harmful.
- Improperly installed, discharged, or missing battery will cause "CLOCK BATTERY" to appear when the DISPLAY button is pressed.
- Battery life is approximately 5 years.

Electronic Viewfinder/LCD Monitor Indications

Tape/Battery Remaining

The tape remaining and battery charge level can be displayed during recording.



1 Set the POWER switch to CAMERA.

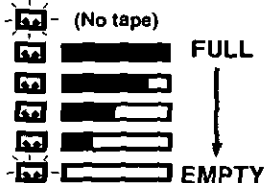
2 Press DISPLAY repeatedly to select the desired display.

EVF/LCD Monitor Indications

Battery Charge Remaining:



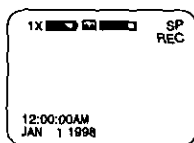
Tape Remaining:



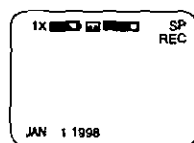
- It will take several seconds for the tape remaining indicator to operate after the tape starts moving.

Recording the Date and Time

1 Set the POWER switch to CAMERA. When placed in Record mode, the time and date will be recorded on the tape.



2 Press DISPLAY twice to change the display to date only. Press once or twice more to remove the date/time display.



Note:

Only the Date and/or Time indications are recorded on the Tape.

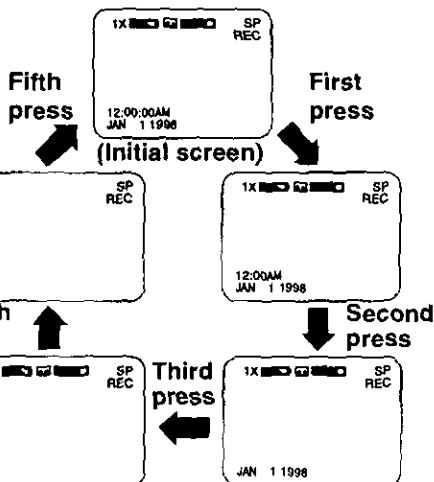
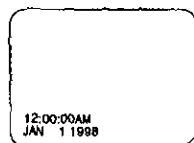
Display-Off Mode

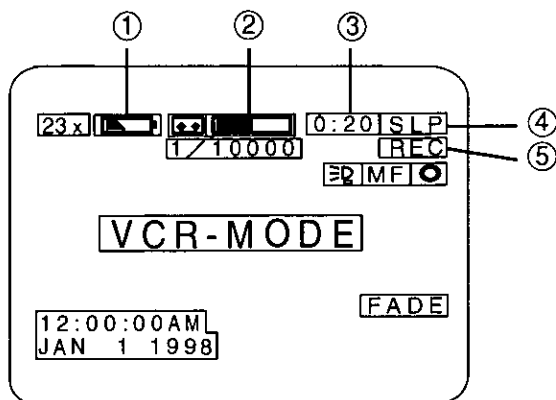
This feature allows you to remove all Electronic Viewfinder/LCD Monitor Indications except Intelligent Titler (see pages 38-40).

Before inserting a tape, press DISPLAY and STOP together for more than one second to remove the indications except time and date*.

To display the Electronic Viewfinder Indications again, turn the Camcorder Power off and then on again.

* To remove the time and date, press the DISPLAY button repeatedly.





① **Battery Remaining Indication**  (see page 18)

When a battery recharge is necessary, "WARNING LOW BATTERY" will appear in the EVF. The external Power Lamp will start to flash and the Camcorder will automatically turn OFF in 15 seconds.

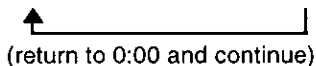
② **Tape Remaining Indication**

- If the Camcorder is in the camera mode, (RECORD) with no cassette tape inserted, or the record tab is missing, "🔍" will flash for one minute and "CHECK TAPE" will appear for 5 seconds.
- As the tape reaches the end during recording, "🔍" will flash and "TAPE END" will appear for 5 seconds as a warning.

③ **10-Second Reminder**

An elapsed time indicator appears one second for every 10 seconds that recording continues. This is a reminder of how long you have been shooting a particular scene and can help keep your recordings fresh and interesting.

0:00 0:10 0:20 59:50



- The 10-Second Reminder will reset to 0:00 whenever you press the RECORD/PAUSE button.

④ **TAPE SPEED Indication** (see page 12)

Indicates the tape speed (SP or SLP or T.LAPSE).

⑤ **Operating Mode Indications**

REC (record)

(Appears in large then small characters.)

PAUSE

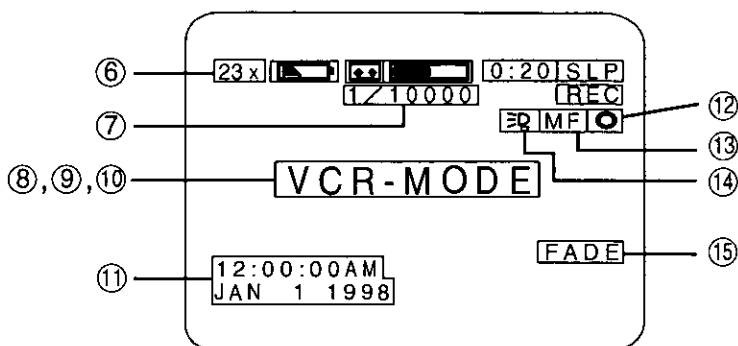
(Appears in large then small characters.)

FF (fast forward)

PLAY

REW (rewind)

Electronic Viewfinder/LCD Monitor Indications



⑥ **Zoom Magnification level** (see page 32).

⑦ **High Speed Shutter Indication** (see page 34).

⑧ **VCR-MODE Indication**

Appears for one minute if the POWER switch is set to VCR or the RECORD/PAUSE button is pushed in VCR MODE.

⑨ **DEW Indication**

If excessive moisture condenses in the unit, "WARNING DEW DETECTED" will appear, Power Lamp will flash, and the Camcorder will automatically turn OFF in 15 seconds.

Wait until the indicator no longer flashes when your Camcorder is turned on before use.

⑩ **Time Lapse Indication** (see page 36).

⑪ **Date and Time Indication** (see page 16).

⑫ **Backlight Indication** (see page 32).

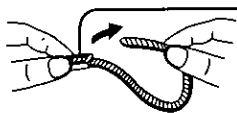
⑬ **Manual Focus Indication** (see page 33).

⑭ **Light ON/OFF Indication** (see page 22).

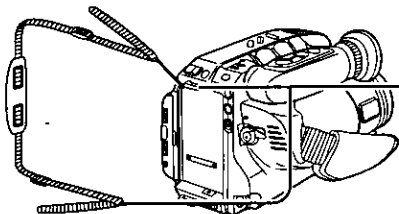
⑮ **Fade Indication** (see page 35).

Attaching the Shoulder Strap

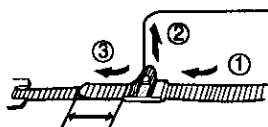
Make sure the Battery Pack is not attached.



- 1** Undo the two strap ends from their buckles.



- 2** Thread the strap ends through the Strap Attachment Rings.

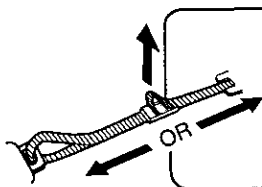


min. 1 inch (25.4mm)

- 3** Reinsert the strap ends through their buckles.

- Make sure the straps are not twisted.

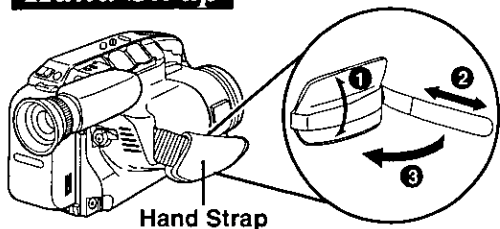
Adjusting the Length



- 1** Pull a loop of the strap loose from the buckle.

- 2** Pull the strap firmly through the buckle to shorten or lengthen the strap.

Hand Strap



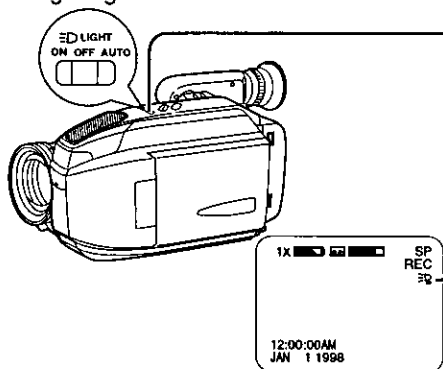
Hand Strap

Adjust the length of the Hand Strap to the size of your hand as illustrated.

Built-in Auto Light

Using the Built-in Auto Light

To improve recording indoors or outdoors in dim lighting conditions.



Before you begin...

- Connect the Camcorder to a power source.
- Set the POWER switch to CAMERA.

Set the LIGHT switch to AUTO.

The built-in light automatically turns on and off depending on lighting conditions.

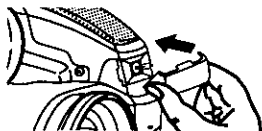
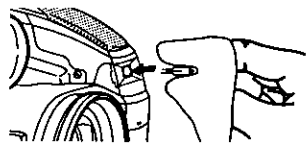
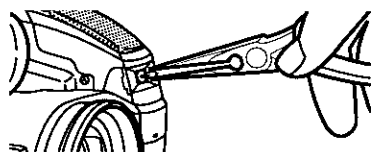
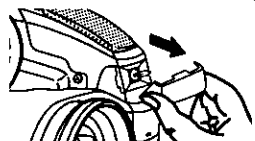
Or set LIGHT to ON/OFF to turn the light on and off manually.

will appear in the EVF while the light is turned on.

Caution:

This light becomes hot during operation. Make sure nothing covers the Light during operation.

Replacing the Bulb



Before you begin...

- Set the POWER switch to OFF.
- When ordering replacement bulbs, use PART No. VULS0001

1 Push in on the both sides of the lens cover to unlock and pull it straight out from the Camcorder.

2 Using Tweezers or Needle-nose pliers, carefully remove the bulb from the Camcorder.

- If you have trouble replacing the bulb, please take the unit to your nearest service center for assistance.

3 Using a clean cloth or tissue, replace the bulb.

4 Push the lens cover straight back into place.

Note:

- Using the light reduces battery operating time.
- If using the Built-in Light in a hot environment for an extended period of time, be sure to provide ventilation.
- Using the Built-in Light when the Camcorder is powered by a car battery may shorten bulb life.
- Be sure LIGHT switch is set to OFF when not in use or before placing Camcorder into an optional carrying case.
- Be very gentle when handling the bulb. Excessive force may cause the bulb to crack.

DANGER:

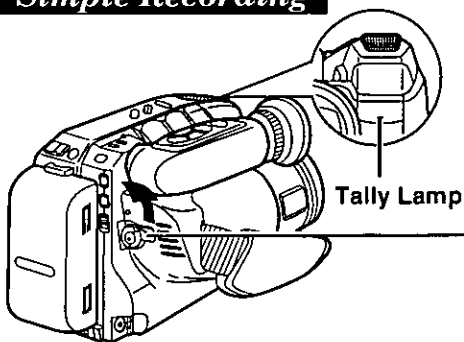
When replacing the bulb, use only lamp bulbs (PART NO. VLLW0015) supplied by Panasonic to reduce the risk of fire.

Use a cloth or tissue when handling the bulb as finger oils will decrease the bulb life.

To prevent possible burn hazard, remove the lens cover and allow the lamp to cool before replacing.

Camera Recording

Simple Recording



Before you begin...

- Connect the Camcorder to a power source.
- Insert a cassette with record tab (see page 12).

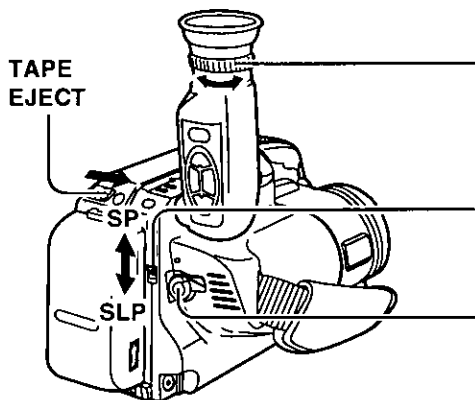
1 Set the POWER switch to CAMERA. The built-in Lens Cover opens.

- Make sure the POWER switch is fully rotated to the CAMERA position.

EVF

PAUSE

Record/Pause mode.



2 With the Viewfinder Eye Cup against your eye, adjust the Vision Adjustment Control to your eyesight.

3 Slide the TAPE SPEED Selector to SP or SLP (refer to page 12).

4 Press RECORD/PAUSE to start recording. The Tally Lamp and REC Indicator are lit during recording.

RECORD

Press the RECORD/PAUSE again to pause the recording.

Set the Power switch to OFF after recording is finished.

Note:

- When your Camcorder is aimed at excessively bright objects, or bright lights, a vertical bar may appear in the picture. This is a normal characteristic of the CCD pick-up device. Try to avoid this when possible.

• To remove the cassette

In Record/Pause mode, slide the TAPE EJECT switch (refer to page 12).

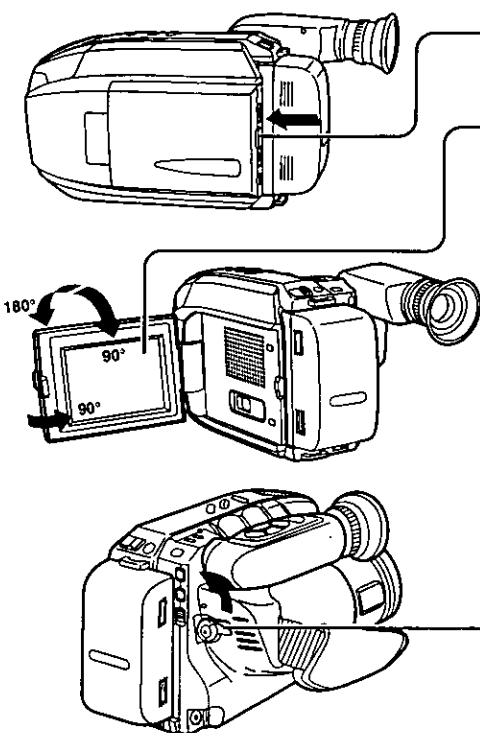
Camera Recording

Using the LCD Monitor

The LCD (Liquid Crystal Display) monitor can be used while recording.

Before you begin...

- Connect the Camcorder to a power source.



1 Press the LCD-OPEN button to unlock the LCD monitor.

2 Swing the LCD monitor fully open and adjust the angle.

Caution:

Rotating the LCD monitor while it is only partially open may block the cassette door and cause damage to the Camcorder body.

3 Set the POWER switch to CAMERA.

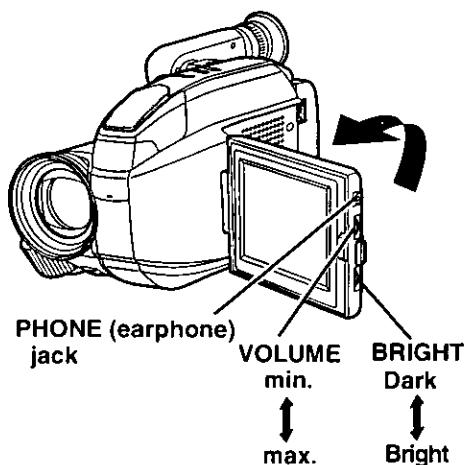
- The LCD monitor turns on and off according to the POWER switch setting.
- When the LCD monitor is fully open, the Viewfinder automatically turns OFF.
- When the LCD monitor is completely closed, the Viewfinder turns on automatically.
- By rotating the LCD monitor 180°, so that it faces the same direction as the lens, the Viewfinder turns back on allowing you and the subject to monitor the recording.

4 Rotate the BRIGHT control to adjust the brightness of the LCD monitor.

5 Start recording (see page 23).

Note:

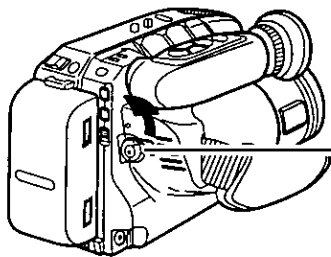
- Using the LCD monitor reduces battery operating time.
- You cannot monitor the sound from the speaker during recording. Connect the earphone (M3 type, not supplied) to PHONE (earphone) jack and adjust the volume of the earphone using the VOLUME control.
- Close the LCD monitor completely when not in use.



Camera Recording

Stand-by Quick Release

Whenever the Camcorder is left in RECORD/PAUSE mode for 5 minutes, it will automatically switch to Stand-by mode to conserve energy. Activating the Stand-by Quick Release feature allows you to release the Stand-by mode and resume recording by simply pressing the RECORD/PAUSE button. If this feature is not activated, it is necessary to turn the Camcorder OFF, and then back to CAMERA to start recording again. The default setting from the factory is OFF mode.

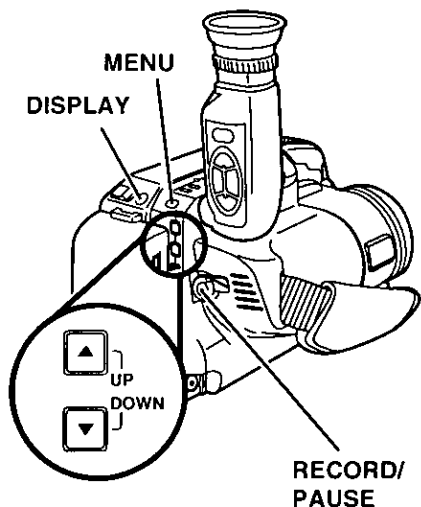


Before you begin...

- Connect the Camcorder to a power source.
- Insert a cassette with record tab (see page 12).

1 Set the POWER switch to CAMERA.

2 Press the MENU button to display the MENU mode. Press UP ▲ or DOWN ▼ repeatedly to select **STAND-BY RELEASE**.



```
--- MENU --- PAGE 1/2
PROGRAMMED REC
TITLE       : AUTO/MANUAL
TALLY LAMP  : ON
STAND-BY RELEASE : ON
CLOCK SET
SELECT : PUSH ▼/▲ KEY
SET    : PUSH DISPLAY KEY
END    : PUSH MENU KEY
```

3 Press the DISPLAY button to set ON or OFF.

ON:

You can resume recording from Stand-by mode by pressing the RECORD/PAUSE button.

OFF:

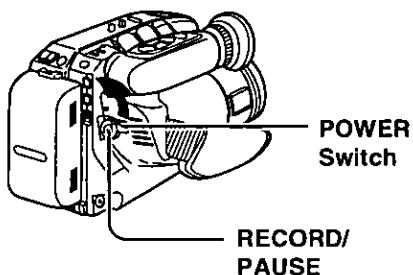
You must set the POWER switch to OFF, and then to CAMERA to release the Stand-by mode.

4 Press the MENU button to set your selection and exit the Menu mode.

Camera Recording

Easy Edit Stand-by

If you stop recording but plan to resume within 24 hours, use the Edit Standby feature to make a smooth transition between scenes.



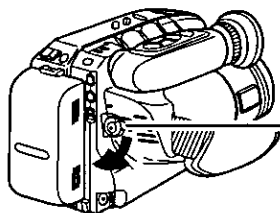
- 1** Press RECORD/PAUSE while recording.
- 2** Set the POWER switch to OFF and leave the cassette in the Camcorder.
- 3** When ready to resume recording, set the POWER switch to CAMERA and press RECORD/PAUSE.

Note:

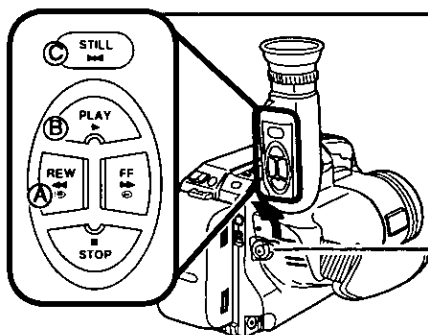
- If it is going to be longer than 24 hours before you resume recording, you will need to use the manual Easy Edit feature described below.

Manual Easy Editing

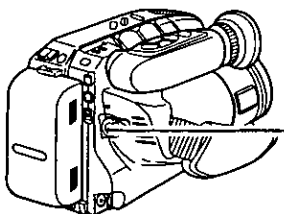
For proper continuity when taping from the Stop mode, or after changing the Battery Pack.



- 1** Set the POWER switch to VCR.



- 2**
 - A** Press REWIND/SEARCH to go back a few seconds on the tape.
 - B** Press PLAY to review the picture on the Viewfinder.
 - C** Press STILL at the location you wish to continue your recording.
- 3** Set the POWER switch to CAMERA.

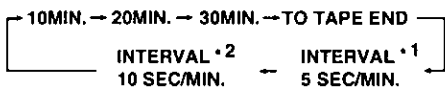
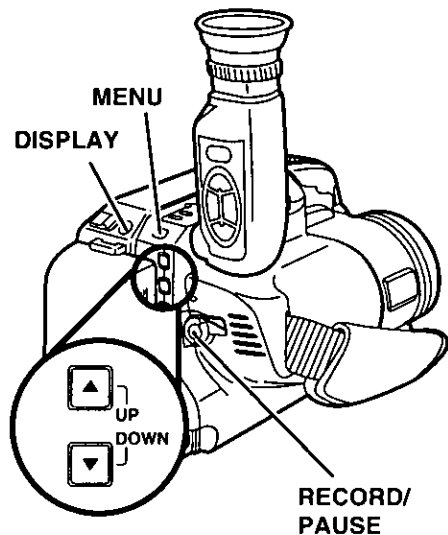


- 4** Press RECORD/PAUSE to continue recording.

Camera Recording

Programmed Recording

You can program the Camcorder to start and stop recording at a preset time. You can also do an Interval Recording which allows you to record 5 or 10 second intervals per minute.



*1 Interval 5 SEC/MIN:

A 5 second recording is performed each minute.

*2 Interval 10 SEC/MIN:

A 10 second recording is performed each minute.

Note:

- The start time cannot be set for over 24 hours in advance from the current time.
- The Camcorder will automatically shut itself off when the tape reaches its end or 12 hours after an Interval recording is started.
- Set the POWER switch to OFF to cancel the Programmed Recording feature.

Before you begin...

- Connect the Camcorder to a power source. For extended periods of recording, it is recommended to use the AC Adaptor for a power source.
- Insert a cassette with record tab (see page 12).
- Set the POWER switch to CAMERA.

1 Press the MENU button to display the MENU mode. Press UP ▲ or DOWN ▼ repeatedly to select **PROGRAMMED REC**.

```
--- MENU --- PAGE 1/2
PROGRAMMED REC
TITLE          : AUTOMANUAL
TALLY LAMP    : ON
STAND-BY RELEASE : OFF
CLOCK SET
SELECT : PUSH ▼/▲ KEY
SET     : PUSH DISPLAY KEY
END    : PUSH MENU KEY
```

2 Press the DISPLAY button to display the current time in the EVF. To change the start time, press the DISPLAY button repeatedly. Each press increases the time by 30 minutes.

```
START: 10:20PM
REC TIME: 10MIN.
SELECT : PUSH ▼/▲ KEY
SET     : PUSH DISPLAY KEY
START  : PUSH REC/PAUSE
CANCEL : PUSH MENU KEY
10:20:00PM
```

3 Press DOWN ▼ to select **REC TIME**. Press the DISPLAY button repeatedly to select one of the recording lengths shown at left.

```
START: 10:30PM
REC TIME: 10MIN.
SELECT : PUSH ▼/▲ KEY
SET     : PUSH DISPLAY KEY
START  : PUSH REC/PAUSE
CANCEL : PUSH MENU KEY
10:20:00PM
```

If you want to cancel the setup, press the MENU button twice.

4 After setting the START and REC TIME, press the REC/PAUSE button to place the Camcorder in stand-by mode.

```
STAND-BY
START: 10:30PM
REC TIME: 10MIN.
10:20:00PM
JUN 1 1998
```

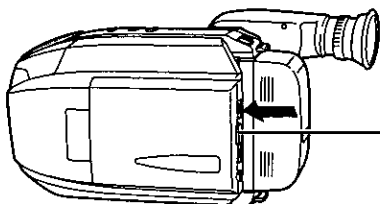
The Camcorder will automatically start recording at the preset time and turn itself off when the recording is finished.

Playing Back your Recordings

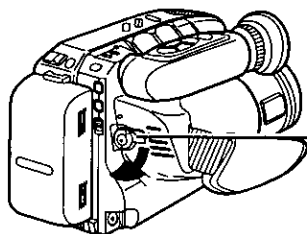
Playback using the EVF or LCD Monitor

Before you begin...

- Connect the Camcorder to a power source.
- Insert a recorded cassette.

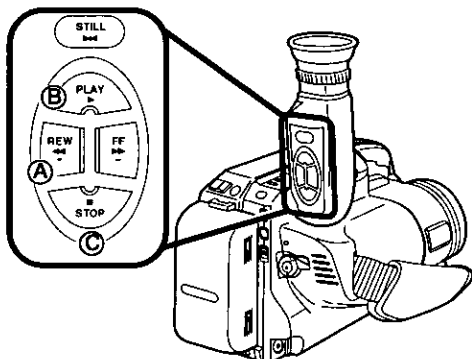


1 Press the LCD-OPEN button to unlock the LCD monitor and swing it open.



2 Set the POWER switch to VCR.

- The LCD monitor turns on and off according to the POWER switch setting.
- When the LCD monitor is fully open, the Viewfinder automatically turns OFF.
- When the LCD monitor is in the closed position, you can view your recording through the EVF.
- When not in use, close the LCD monitor so that it faces inward.

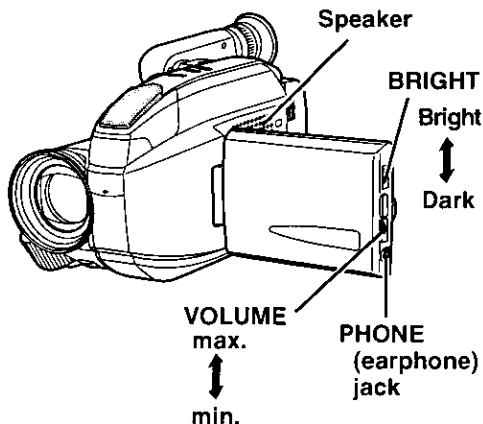


3 Start Tape Playback.

- Ⓐ Press the REWIND/SEARCH button to rewind the tape.
- Ⓑ Press PLAY to start playback.
- Ⓒ Press STOP to stop playback.
- Adjust the volume of the speaker or earphone (if connected) using the VOLUME control.
- Adjust the brightness of the LCD monitor using the BRIGHT control.

Auto Play

When the POWER switch is set to VCR, playback will automatically begin if the record tab has been removed on the cassette.



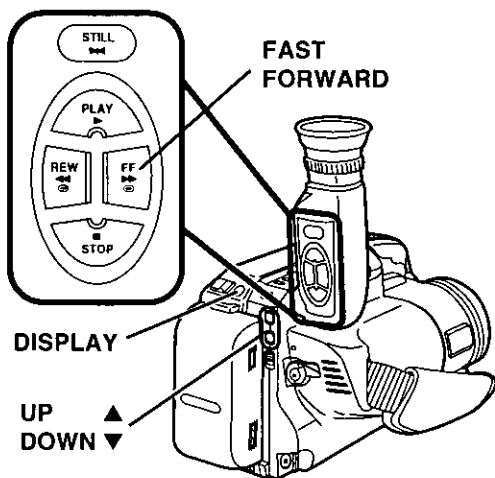
4 When you are finished viewing, close the LCD monitor completely. (The EVF will turn on.)

Note:

- Using the LCD monitor reduces battery operating time.
- If you connect the earphone (M3 type, not supplied) to PHONE (earphone) jack, the sound from the speaker will be muted.

Playing Back your Recordings

Special Effects Playback



Before you begin...

- Connect the Palmcorder to a power source.
- Insert a recorded cassette.
- Set the POWER switch to VCR.

To rapidly locate a scene

Press **PLAY** then press **FAST FORWARD/SEARCH** or **REWIND/SEARCH** for rapid visual search.

Press again, or press **PLAY** to resume normal speed.

View a Still Picture

Press **STILL** to freeze the picture.

Press again to resume normal playback.

Search Speed

Standard Play (SP) Search is about 3 times the normal speed, and Super Long Play (SLP) Search is about 9 times the normal speed.

Note:

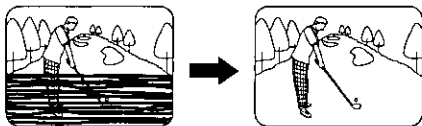
- During search playback, horizontal noise bars will appear and there will be no audio.
- To protect the tape and the video heads, your Palmcorder's operating modes will revert as follows:

STILL → STAND-BY after 5 minutes.

STANDBY → POWER OFF after 5 minutes when using a Battery Pack.

- When the tape reaches its end during playback, or fast forward, it will rewind automatically.

Tracking Control



Auto Tracking

Continuously analyzes the signal of each recording for optimum picture quality.

Manual Tracking

To minimize the noise in some recordings, manual tracking may be necessary.

For Noise in Playback mode:

Press **UP ▲** or **DOWN ▼** until picture clears up.

Press **DISPLAY** to return to Auto Tracking.

For Noise in Still mode:

Press **UP ▲** or **DOWN ▼** until picture clears up.

V-Lock Control (Reduces jitter in Still mode.)

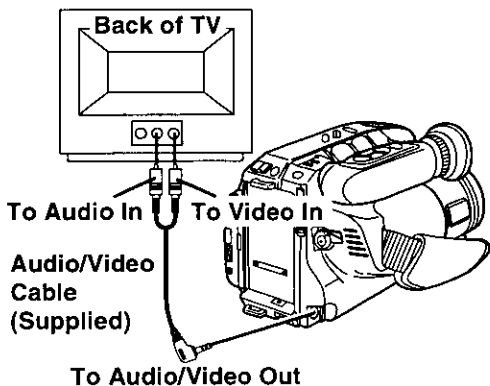
Press **DISPLAY** and **UP ▲** or **DOWN ▼** until picture is stable.

Playing Back your Recordings

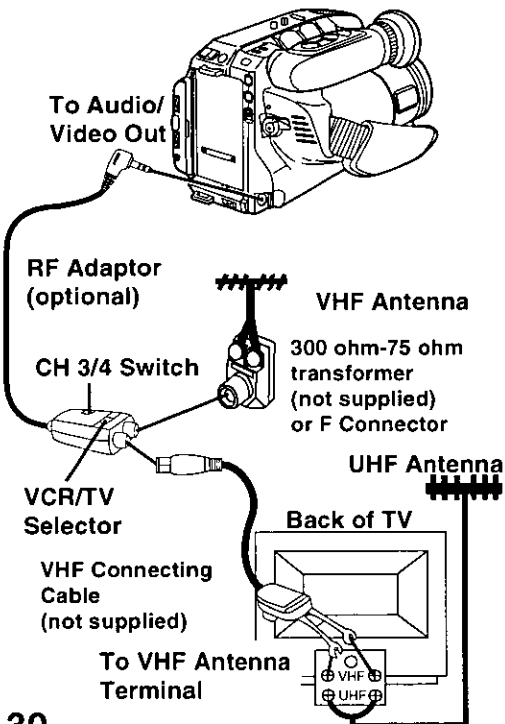
TV Playback or Viewing

Your Camcorder may be connected to a TV to play back tapes or to view what you are recording.

TV with AUDIO/VIDEO IN Jacks.



TV without AUDIO/VIDEO IN Jacks.



Before you begin...

- Connect the Camcorder to a power source.

1 Set the **POWER** switch to **VCR** for tape playback.
Or, set to **CAMERA** to view what your Camcorder is recording.

2 Turn the TV **ON** and set it to **LINE INPUT**.
Check your TV operating instructions.

Note:

If your TV has no **VIDEO** or **AUDIO IN** jacks, select **CH 3** or **4** on your TV to match the **CH 3/4** switch setting on the **OPTIONAL PV-RF16 RF Adaptor**. Set the **VCR/TV** selector on the RF Adaptor to **VCR** for playback.

3 Start playback or begin a recording.

If you have connected the Camcorder to your TV using the **PV-RF16 RF Adaptor** and want to watch TV only:

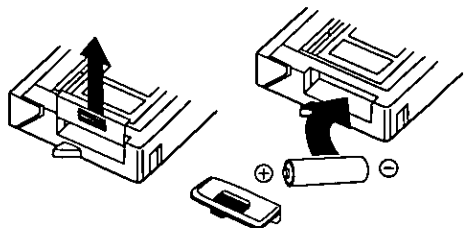
Set the **POWER** switch to **OFF** on the Camcorder.
Then, set the **VCR/TV Selector** on the RF Adaptor to **TV**.
Now, turn the TV **ON** and select a channel.

CATV System Installer

This reminder is provided to call the CATV system installer's attention to Article 820-40 of the NEC in USA (and to the Canadian Electrical Code in Canada) that provides guidelines for proper grounding and, in particular, specifies that the cable ground shall be connected to the grounding system of the building, as close to the point of cable entry as practical.

Playing Back your Recordings in your VCR

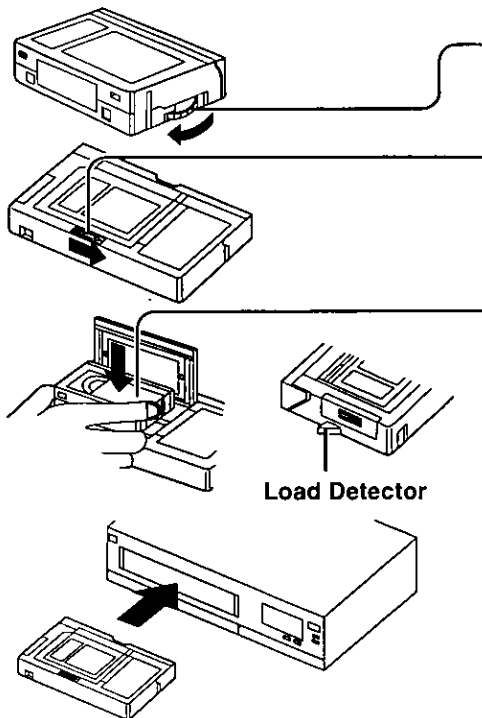
Playback using the PlayPak



Remove the Battery Compartment lid and insert the AA size battery.

- Make sure polarities are aligned properly.
- When tape loading and unloading time becomes longer than normal, battery replacement is necessary.

Insert VHS Cassette



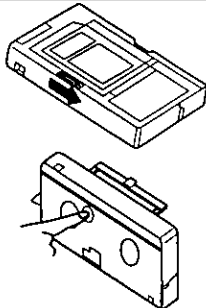
1 Turn the Tape Wheel on the **VHS** cassette in the direction of the arrow to take up any slack.

2 Slide the **RELEASE** button in the direction of the arrow to open the PlayPak door.

3 Insert the **VHS** cassette with the window facing up and to the left. Then, snap the lid shut.

- Be sure the cassette reel area under the PlayPak is free to turn while loading.
- Allow the Load Detector to fully retract before using the PlayPak in your standard VHS VCR.

Remove VHS Cassette



1 Slide the **RELEASE** button and wait for the lid to open.

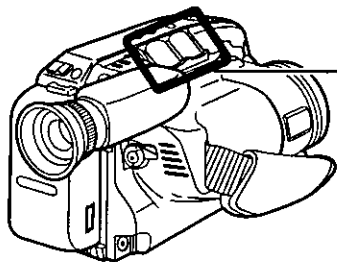
2 Hold the PlayPak securely in one hand. Using your finger, reach through the hole in the bottom of the PlayPak Adaptor and push the tape out the top.

Four-Speed Power Zoom / Backlight

Four-Speed Power Zoom

You can gradually zoom in for close ups or zoom out for wide angle shots.

The zooming speed ranges from a slow speed of 16 seconds to a fast 2 seconds according to the pressure applied to the zoom buttons.



Before you begin...

- Connect the Camcorder to a power source.
- Set the POWER switch to CAMERA.

Zoom In ("T")



Zoom Out ("W")

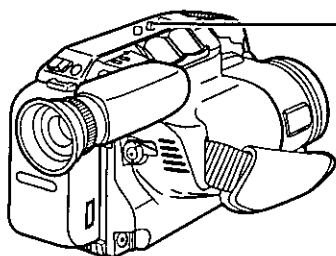
Zoom slowly by lightly pressing the "T" (Telephoto) or the "W" (Wide Angle) side of the POWER ZOOM switch.

Zoom quickly by applying more pressure.

- The magnification level is displayed in the EVF.

Backlight

Use when recording a subject that is darker than the surrounding scene, in a shadowed area or when the light source is in back of your subject.



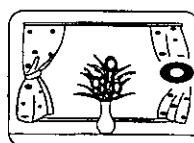
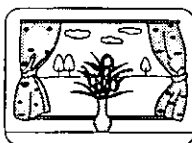
Before you begin...

- Connect the Camcorder to a power source.
- Set the POWER switch to CAMERA.

Press the BACKLIGHT button while recording.

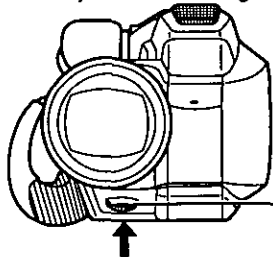
When lighting conditions return to normal, press the BACKLIGHT button again to disengage.

Indication appears in the EVF.



Auto Focus

The Camcorder will automatically focus on the subject even during zooming.



Before you begin...

- Connect the Camcorder to a power source.
- Set the POWER switch to CAMERA.

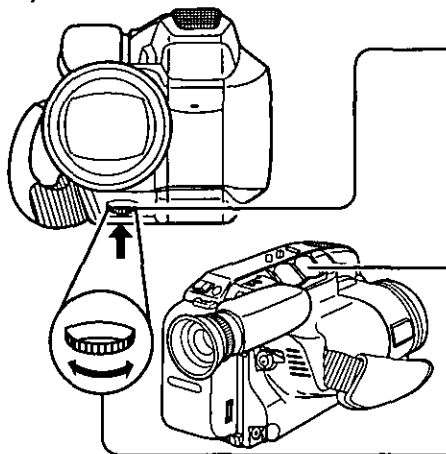
If necessary, press **MANUAL FOCUS** so that "MF" does not appear in the EVF.

Manual Focus

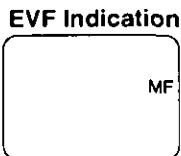
Use Manual Focus (MF) when recording:

- a subject through glass.
- a subject that is far from the Camcorder with objects in the foreground.
- a subject with distinct horizontal stripes.
- a subject not centered in the Viewfinder.

- a subject with a shiny surface.
- an obliquely angled subject.
- a bright, flat subject such as a white wall.
- in low light situations.
- a scene with fast motions, like a golf swing.



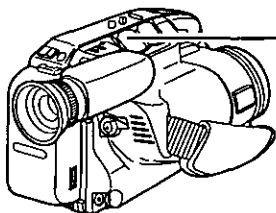
- 1 Press **MANUAL FOCUS** so that "MF" (Manual Focus) appears in the EVF.



- 2 Press and hold the "T" side of the **POWER ZOOM** switch until the lens is zoomed in all the way (subject at maximum size).

- 3 Turn the **MANUAL FOCUS** control until the picture is in focus.
 - It may be necessary to back away from the subject to focus the image properly.

- 4 Press the "W" side of the **POWER ZOOM** switch to frame the picture as desired.



- Re-focusing may be required when your Camcorder is aimed at a new scene.

Macro Focus (for close-ups)

Auto Focus will function as close as 1/2 inch (12.7mm) from the subject.

Press the "W" side of the **POWER ZOOM** switch to the wide angle position. Then, bring the Camcorder as close to the subject as desired.

High Speed Shutter

To record high speed motion (e.g. a tennis stroke) for improved STILL or SLOW MOTION playback, when watching the tape on this Camcorder or a VHS 3 or 4 head VCR.

Before you begin...

- Connect the Camcorder to a power source.
- Set the POWER switch to CAMERA.
- Insert a cassette with record tab (see page 12).

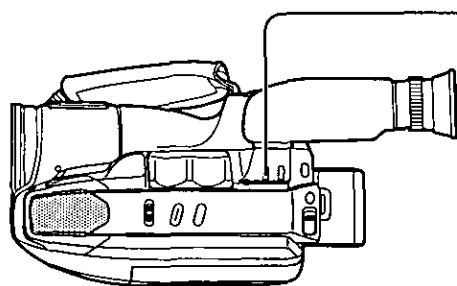
Auto Shutter

In the AUTO mode (no indication in the EVF), the Camcorder will automatically adjust the shutter speed from 1/60 to 1/350 according to the brightness of the subject.

- AUTO mode is automatically selected whenever the POWER switch is set to CAMERA.

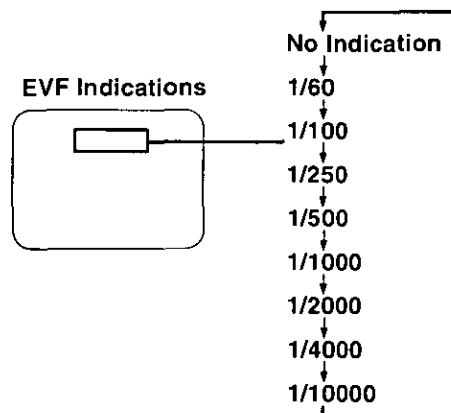
Manual Selection

The High Speed Shutter indicator flashes when the light level is inadequate. More light should be provided to achieve better picture quality and color.



1 Press HIGH SPEED SHUTTER while recording.

2 Press repeatedly to obtain one of the eight higher shutter speeds shown at right.

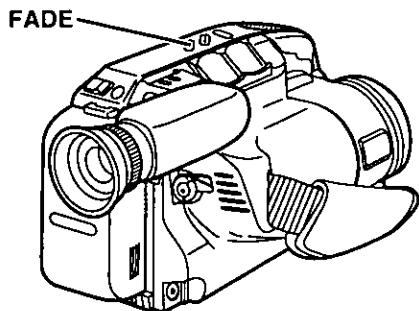


Note:

- For proper color reproduction, it is recommended that you use this feature outdoors. For indoor High Speed Shutter recording, additional halogen or tungsten light should be provided. Fluorescent light will degrade the picture quality.
- This feature requires ample light. More light is required for the fastest shutter speeds.
- The Auto Focus system may not operate properly in insufficient light when using the High Speed Shutter.

One-Touch Auto Fade

Make smooth scene transitions for a more professional look.



Before you begin...

- Connect the Camcorder to a power source.
- Set the POWER switch to CAMERA.

Fade In:

Starting the first scene with "fade in" can be very effective.

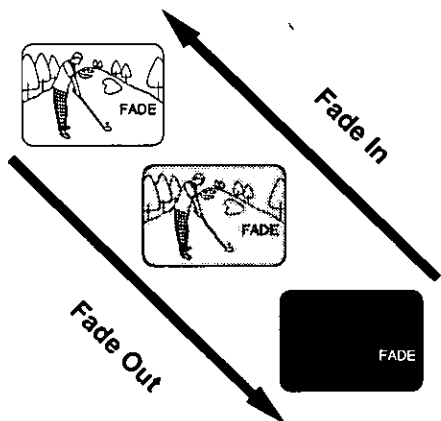
- 1** During the RECORD/PAUSE mode, press the FADE button to make "FADE" flash in the EVF.
- 2** Press the RECORD/PAUSE button. The screen will turn black and the recording will start as picture and sound gradually fade in.

Fade Out:

Use to create a soft ending or, when used together with fade in, a soft transition from one scene to the next.

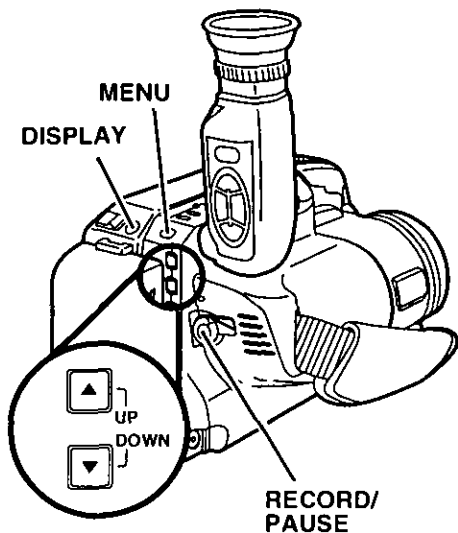
- 1** Press the FADE button to make "FADE" flash in the EVF while recording.
- 2** Press the RECORD/PAUSE button. The picture and sound will gradually fade out and the recording will PAUSE.

If FADE is accidentally pressed, simply press it again so that "FADE" disappears in the EVF.



Time Lapse

You can use this feature for security purposes by recording over a long period of time (up to 6 hours with a T-40 tape).



Note (in Time Lapse mode) :

- Sounds can not be recorded.
- Picture quality is lower than SLP mode.
- The tape is recorded at 1/3 the speed of SLP.
- The tape is played back at normal SLP speed (3 times faster than it was originally recorded).
- Video noise may occur during playback.
- SP/SLP indications will not be displayed.
- Titles will not be displayed.
- Interval REC cannot be activated.
- Vertical jitter may occur depending on monitor used.
- 10-Second Reminder (see page 19) will not display during Time Lapse recording.

CAUTION:

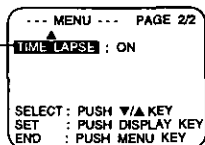
- Because recording system for the Time Lapse feature is not part of VHS standard, it is recommended to playback tapes recorded in Time Lapse mode on this Camcorder.
- Tapes not recorded in Time Lapse mode may be played back on other **VHS** type camcorders or **VHS** type VCRs.

Before you begin...

- Connect the Camcorder to a power source. For extended Camcorder use, the AC Adaptor is recommended as the power source.
- Insert a cassette with record tab (see page 12).
- Set the POWER switch to CAMERA.
- Slide the TAPE SPEED Selector to SLP.

1 Press the MENU button to display the MENU mode. Press UP ▲ or DOWN ▼ repeatedly to select **TIME LAPSE**.

- PROGRAMMED REC
- TITLE
- TALLY LAMP
- STAND-BY RELEASE
- CLOCK SET
- TIME LAPSE



2 Press the DISPLAY button to set ON or OFF.

ON:

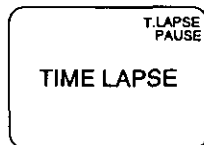
You can create an extended recording (up to 6 hours). This recording can then be played back at x3 speed.

OFF:

An extended recording (up to 6 hours) will not be possible.

3 Press the MENU button to set your selection and exit this screen.

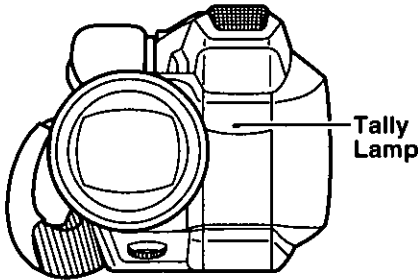
4 Press RECORD/PAUSE button for recording START and STOP.



To cancel Time Lapse mode: Select **TIME LAPSE**; OFF from the menu screen.

Tally Lamp

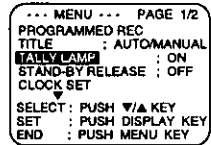
You can choose to have the Tally lamp come on or stay off during recording. The default setting from the factory is ON mode.



Before you begin...

- Connect the Camcorder to a power source.
- Set the POWER switch to CAMERA.
- Insert a cassette with record tab (see page 12).

1 Press the MENU button to display the MENU mode. Press UP ▲ or DOWN ▼ repeatedly to select **TALLY LAMP**.



2 Press the DISPLAY button to set ON or OFF.

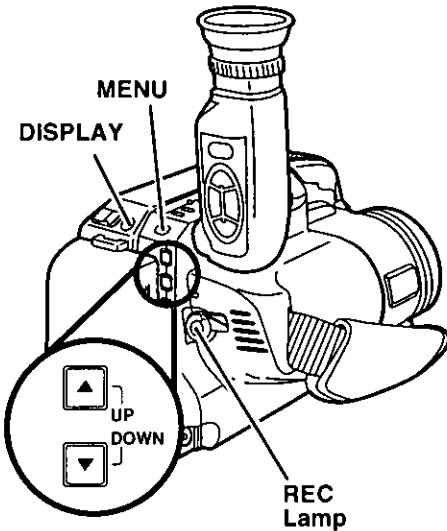
ON:

Tally Lamp comes on during recording.

OFF:

Tally Lamp and REC Lamp stay off during recording.

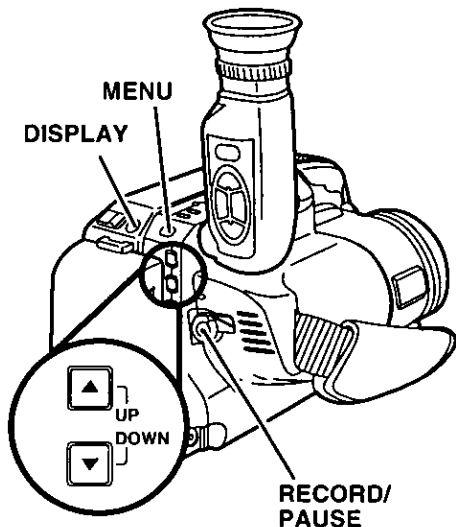
3 Press the MENU button to set your selection and exit the Menu mode.



Intelligent Titler

Automatic Title

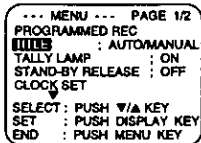
On selected holidays, such as New Year's Day, the Camcorder will automatically display the appropriate title when the power is first turned on.



Before you begin...

- Connect the Camcorder to a power source.
- Set the POWER switch to CAMERA.
- Insert a cassette with record tab (see page 12).

1 Press the MENU button to display the MENU mode. Press UP ▲ or DOWN ▼ repeatedly to select **TITLE**.

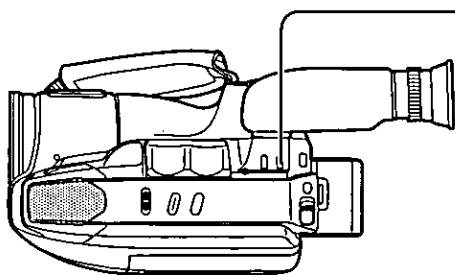


2 Press the DISPLAY button to select AUTO/MANUAL.

3 Press the MENU button to set your selection and exit the Menu mode.

4 To record the automatically displayed title, press the RECORD/ PAUSE button. (refer to page 39 for Automatic/ Manual Title Display List.)

5 To remove the title while recording, press the TITLE button.



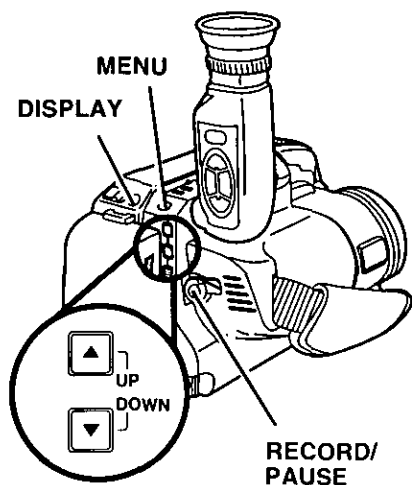
Note:

- To remove the title before recording, press the TITLE button repeatedly until the On Screen Display disappears.
- You can display HAPPY ANNIVERSARY, HAPPY BIRTHDAY, VACATION, WEDDING DAY, or A SPECIAL DAY by pressing the TITLE button repeatedly in Pause (Record mode).
- The Camcorder will not automatically display a title once it has been removed. To redisplay the title, press TITLE in Pause (Record mode).

Automatic/Manual Title Display List

| | |
|--|---|
| Dec. 31~Jan. 1 | HAPPY NEW YEAR! / CHEERS! |
| Feb. 14 | VALENTINE'S DAY / BE MY VALENTINE |
| 2nd Sunday in May | HAPPY MOTHER'S DAY / WE LOVE YOU! |
| Last Monday in May | MEMORIAL DAY |
| 3rd Sunday in Jun. | HAPPY FATHER'S DAY / WE LOVE YOU! |
| Jul. 4 | INDEPENDENCE DAY |
| 1st Monday in Sep. | LABOR DAY |
| Oct. 31 | HAPPY HALLOWEEN |
| 4th Thursday in Nov. | HAPPY THANKSGIVING |
| Dec. 24-25 | MERRY CHRISTMAS / HO! HO! HO! |
| These Titles must be displayed manually. | HAPPY EASTER HAPPY ANNIVERSARY HAPPY BIRTHDAY VACATION WEDDING DAY A SPECIAL DAY |

Manual Title



Before you begin...

- Connect the Camcorder to a power source.
- Set the POWER switch to CAMERA.
- Insert a cassette with record tab (see page 12).

1 Make sure that TITLE, in the Menu mode, is set to AUTO/MANUAL. (see steps 1-3 on page 38.)

2 In Pause (Record mode), press the TITLE button repeatedly to display the desired title from the list shown above.

3 Press the RECORD/PAUSE button to record the displayed title.

4 Press the TITLE button while recording to remove the title.

Note:

- To redisplay the title, press TITLE in Pause (Record mode).

Intelligent Titler

Phrase Title

Before you begin...

- Connect the Camcorder to a power source.
- Set the POWER switch to CAMERA.
- Insert a cassette with record tab (see page 12).

- 1 Press the MENU button to display the MENU mode. Press UP ▲ or DOWN ▼ repeatedly to select **TITLE**.

- 2 Press the DISPLAY button to select PHRASE.

- 3 Press the MENU button to set your selection and exit the Menu mode.

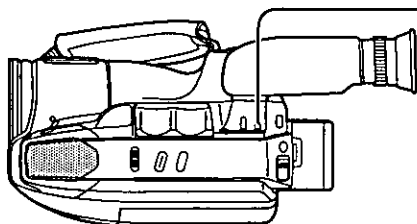
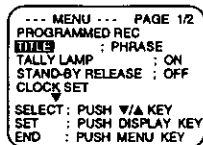
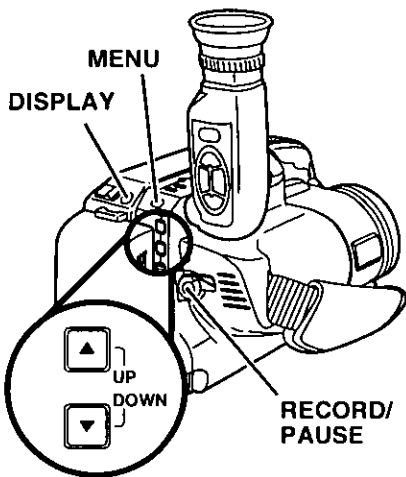
- 4 In Pause (Record mode), press the TITLE button repeatedly to display the desired title from the list shown below.

- 5 Press the RECORD/PAUSE button to record the displayed title.

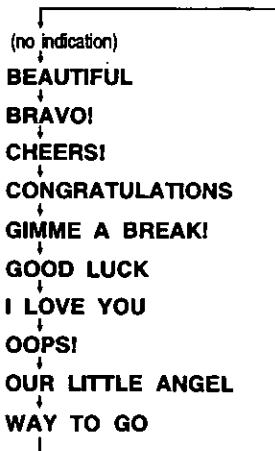
- 6 Press the TITLE button while recording to remove the title.

Note:

- To redisplay the title, press TITLE in Pause (Record mode).

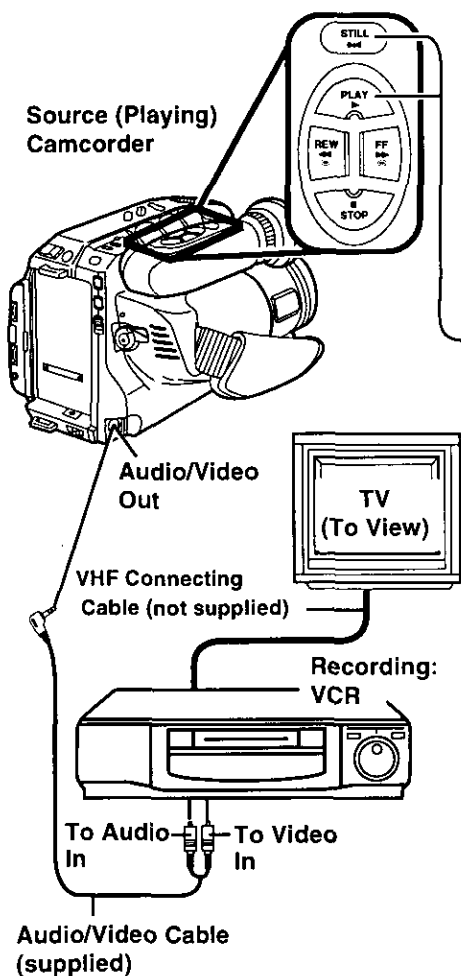


EVF Indications



Copying your Tapes (dubbing)

Main Operation



Before you begin...

- Connect the Camcorder to VCR as shown below.
- Turn ON both units.
- Set the recording VCR's Input Signal Selector to LINE.
- Set the Camcorder POWER switch to VCR.

- 1** Insert a pre-recorded tape into the Camcorder and a blank tape with a recording tab into your VCR.
- 2** Press **PLAY** on the Camcorder and when you find the starting point, press **STILL**.

- 3** Press **REC** on your VCR and then immediately press **STILL/PAUSE**.

VCR Buttons



- 4** Press **STILL** on the Camcorder and press **STILL/PAUSE** on the VCR to simultaneously start both units.
- 5** Press **STOP** on both units when dubbing is complete.

Note:

- Tapes recorded on other VCRs and used for playback in the Camcorder must be recorded in SP or SLP mode.
- For technical reasons, dubbing a tape may reduce its quality.

Monitor with your TV

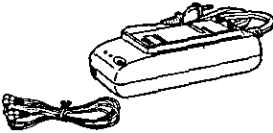






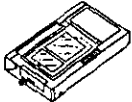
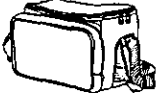
- Turn the TV ON and select its VCR channel (CH3 or CH4).
- Set the VCR/TV Selector on the recording VCR to VCR.

CAUTION:

Unauthorized exchanging and/or copying of copyrighted recordings may be copyright infringement.

Palmcorder Accessory System

For ordering instructions, see the Accessory Order Form page.

| Accessory # | Figure | Description | Price |
|--------------------|---|--------------------------------|----------|
| PV-A17 |  | AC Adaptor with DC Power Cable | \$130.00 |
| P-V215 |  | 3.0Ah Battery Pack | \$60.00 |
| PV-BP17/ P-V214 |  | 2.4Ah Battery Pack | \$50.00 |
| PV-BP18/ P-V611 |  | 1.8Ah Battery Pack | \$45.00 |
| PV-BP15/ P-V213 |  | 1.2Ah Battery Pack | \$45.00 |
| PV-AA6 |  | "AA" Battery Case | \$20.00 |
| PV-C16 |  | Car Battery Cord | \$70.00 |
| PV-RF16 |  | RF Adaptor | \$40.00 |
| PV-P1 |  | VHS PlayPak | \$35.00 |
| PV-H18 |  | Soft Sided Carrying Case | \$49.00 |

Palmcorder Accessory Order Form

Please photocopy this form when placing an order.

1. Palmcorder Model # _____

2. Items Ordered

| Accessory # | Description | Price Each | Quantity | Total Price |
|------------------------------|-------------|------------|----------|-------------|
| | | | | |
| | | | | |
| | | | | |
| | | | | |
| Subtotal | | | | |
| Your State & Local Sales Tax | | | | |
| Shipping & Handling | | | | 5.00 |
| Total Enclosed | | | | |

3. Method of payment (check one)

- Check or Money Order enclosed (NO C.O.D. SHIPMENTS)
- VISA Credit Card # _____
- MasterCard Expiration Date _____
- Discover Customer Signature _____

Make Check or Money Order to: MATSUSHITA ACCESSORIES

(Please do not send cash)

4. Shipping information (UPS delivery requires complete street address)

Ship To:

Mr.

Mrs.

Ms.

First _____ Last _____

Phone #:

Day () _____

Street Address _____

Night () _____

City _____ State _____ Zip _____

TO OBTAIN ANY OF OUR OMNIMOVIE/PALMCORDER ACCESSORIES YOU CAN DO ANY OF THE FOLLOWING:

VISIT YOUR LOCAL PANASONIC DEALER

OR

CALL PANASONIC'S ACCESSORY ORDER LINE AT 1-800-211-7262

[9 AM-9 PM M-F, 9 AM-7 AM SAT-SUN, EST]

OR

MAIL THIS ORDER TO: PANASONIC SERVICES COMPANY ACCESSORY ORDER OFFICE

20421 84th Avenue South Kent, WA. 98032

For Your Information

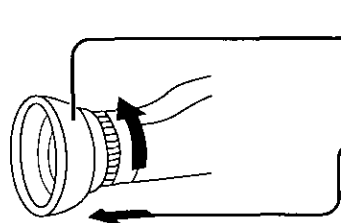
Notes Regarding Operations

Attaching Optical Filters and Lenses

Be careful not to touch the lens itself when attaching optical filters and lenses.

Cleaning the EVF (Electronic Viewfinder)

To Remove



1 Turn the EVF Eyepiece counterclockwise 1/8 of a turn.

2 Pull free.
Remove any lint or dust particles with a soft clean cloth being careful not to scratch the glass surfaces.

3 To re-install EVF
Line up the marks on the Eyepiece with the grooves inside the EVF shaft and attach. Turn the EVF clockwise 1/8 of a turn to lock in place.

Specifications

| | |
|---------------------------------------|--|
| Power Source: | Compact VHS Camcorder: DC 6V AC Adaptor: 110/120/220/240V AC, 50/60 Hz Battery: Nickel-Cadmium Type DC 6V |
| Power Consumption: | Compact VHS Camcorder: 6V DC 8.5 W (Max. 11.5 W) AC Adaptor: 24W 1.2W (when not in use.) |
| Video Signal: | EIA Standard (525 lines, 60 fields) NTSC color signal |
| Video Recording System: | 4 rotary heads plus flying erase head. helical scanning system |
| Audio: | 1 track |
| Pick-Up System: | Sequential color difference field reverse system |
| Pick-Up Device: | One integral color filter Charge Coupled Device (CCD) |
| Lens: | 23:1 zoom lens, F1:1.6 with auto iris control Focal length: 3.8mm - 87.4mm Power zoom function Lens filter diameter: 52mm |
| Viewfinder: | 0.5 inch (12.7mm) Electronic Viewfinder |
| LCD Monitor: | 3.2 inch (81.2mm) Liquid Crystal Display |
| Minimum Illumination Required: | 1.4 lx (F1:1.6) 0.14 footcandles 8 lx (F1:1.6) 0.8 footcandles (EIA Standard) |
| Earphone Jack: | M3 Type |
| Operating Temperature: | 32°F-104°F (0°C-40°C) |
| Operating Humidity: | 10%-75% |
| Weight: | Compact VHS Camcorder: 2.4 lbs. 1.10 kg AC Adaptor: 0.77 lbs. 0.35 kg |
| Dimensions: | Compact VHS Camcorder: 4-3/8 (W) × 4-5/8 (H) × 7 (D) inch 110 (W) × 116 (H) × 177 (D) mm AC Adaptor: 2-3/4 (W) × 1-5/8 (H) × 5-3/4 (D) inch 70 (W) × 41 (H) × 145 (D) mm |

Weight and dimensions shown are approximate.

Designs and specifications are subject to change without notice.

Before Requesting Service

If you have a problem with your Camcorder, it may be something you can correct yourself. Check the list below for symptoms and corrections.

| Symptom | Correction |
|--|---|
| No picture in the EVF ... | <ul style="list-style-type: none"> • Make sure a Power Source is connected. (pp. 9, 11) • Make sure the POWER switch is set to VCR or CAMERA. (pp. 23, 28) • Check the Dew Indicator. (p. 20) • Make sure the battery is fully charged. (p. 9) • Make sure all necessary cables are connected correctly and firmly. (p. 30) |
| Video cassette cannot be inserted ... | <ul style="list-style-type: none"> • Make sure a Power Source is connected. (pp. 9, 11) • Insert the cassette with the window side facing out. (p. 12) |
| Video cassette cannot be removed ... | <ul style="list-style-type: none"> • Make sure a Power Source is connected. (pp. 9, 11) |
| No operation starts when operation buttons are pressed ... | <ul style="list-style-type: none"> • Check for the Dew Indicator. (p. 20) |
| Recording cannot be done ... | <ul style="list-style-type: none"> • Make sure the record tab is still intact. (p. 12) • Check the Battery Indicator. (p. 18) • Check the Dew Indicator. (p. 20) |
| Auto Focus does not operate ... | <ul style="list-style-type: none"> • Make sure the FOCUS button is set to AUTO. (p. 33) • Make sure the unit is ON, with the POWER switch set to CAMERA (p. 23). |
| Sound from microphone cannot be monitored ... | <ul style="list-style-type: none"> • Make sure the unit is set to REC or Record/Pause mode. |
| Camera picture is too dark ... | <ul style="list-style-type: none"> • Make sure the HIGH SPEED SHUTTER button is OFF (p. 34). |
| No playback picture, or the playback picture is noisy or contains streaks ... | <ul style="list-style-type: none"> • Press UP ▲/DOWN ▼ button during playback (Tracking Control) (p. 29). |
| During playback, the picture shows motion or blurred action ... | <ul style="list-style-type: none"> • Portions of the still picture where the normal speed motion was particularly rapid may produce this effect. This is normal. |
| The playback picture is fast and there is no sound ... | <ul style="list-style-type: none"> • Make sure the TIME LAPSE feature is set to OFF in the Menu mode (p. 36). |
| "Panasonic IT'S VHS! SO ITS TAPES PLAY IN YOUR VCR ..." appears in the EVF and Monitor ... | <ul style="list-style-type: none"> • Set the POWER switch to CAMERA, and then hold down STOP for 5 seconds (approx.) to exit the Demo mode (p. 7). |
| If the top of your playback picture waves back and forth excessively ... | <ul style="list-style-type: none"> • Because the playback signal is not as stable as an off the air TV signal, the top of your TV screen may be bent or unstable when the tape is played back. This symptom is more noticeable when a tape recorded on another VCR is played back. To solve this problem, locate the horizontal hold control on your TV. Turn it slowly to correct the wavy picture. If your TV does not have a horizontal hold control or adjusting the control does not help, some modifications may have to be made to the TV set. Technically this is called "Horizontal AFC time constant change." If such a problem exists, please contact your local TV service center. (Some nominal service charges may be required.) |

Before Requesting Service

Cleaning Care for Video Heads



Clogged Video Head

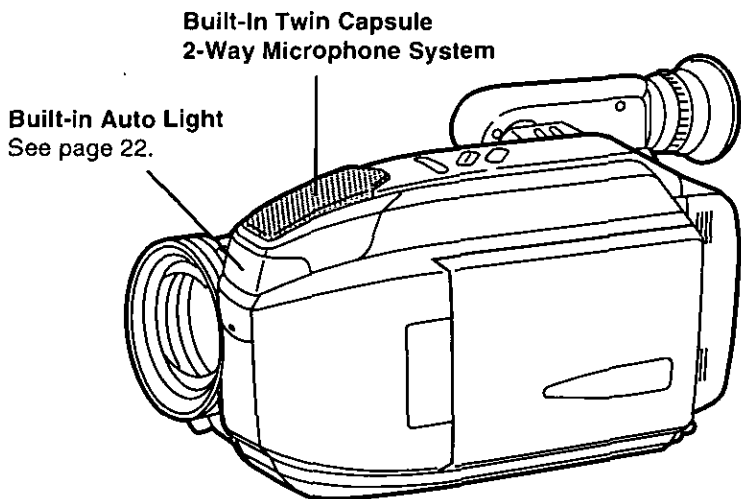
(a) Video Head Cleaning: Your Camcorder will not normally require head cleaning; however, it is possible that the heads may become clogged when playing an old or damaged tape. If the image on your screen resembles the photograph on the left while playing back a tape, the heads may require cleaning.

(b) Cleaning the Heads: It is recommended that head cleaning be performed by a qualified service technician. Please contact your nearest Panasonic Service Center. An alternate solution is to obtain a head cleaning cassette. There are many types of cleaning cassettes, so be sure to follow the cleaning instructions carefully. Excessive use of the cleaning cassette could shorten head life. Use this cassette only when a head clogging symptom occurs.

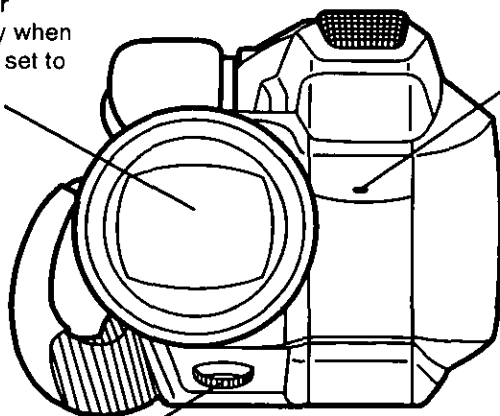
Refer servicing to qualified service personnel.

Index of Controls

Front View



Built-In Lens Cover
Opens automatically when
the Power Switch is set to
CAMERA.
See pages 8, 23.

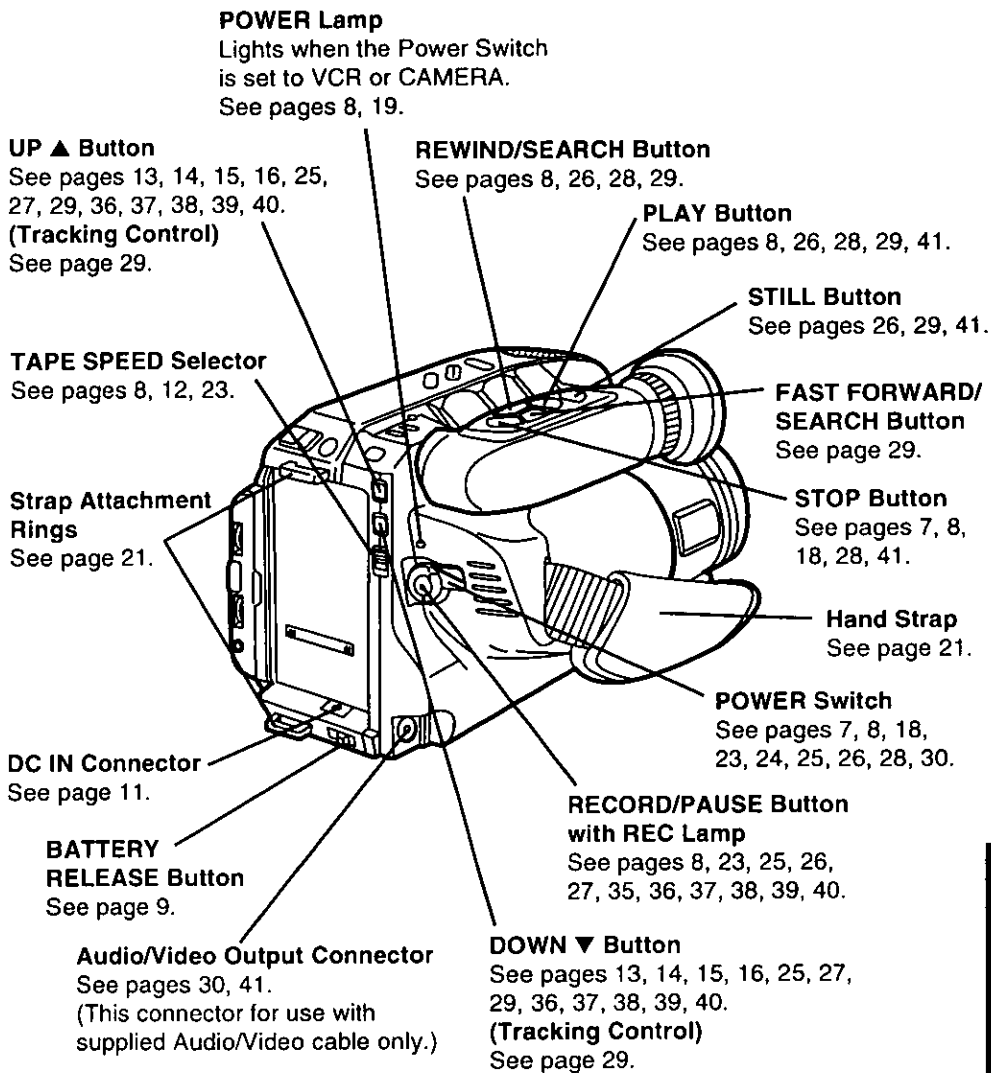


Tally Lamp
See pages 23, 37.

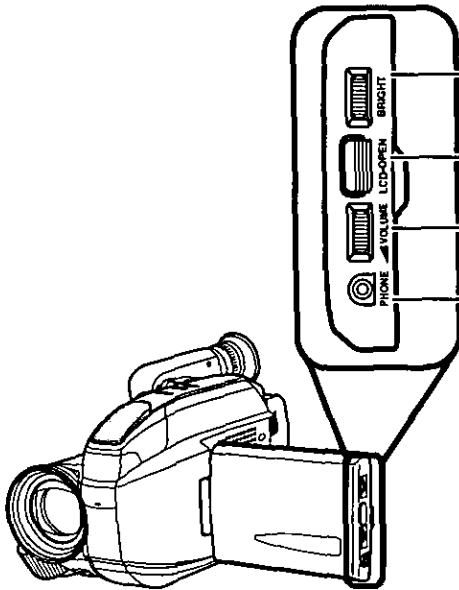
**MANUAL FOCUS
Wheel**
See page 33.

Index of Controls

Rear View



Index of Controls



Bright Control

Adjusts the brightness of the picture.
See pages 24, 28.

LCD-OPEN button

See pages 24, 28.

Volume Control

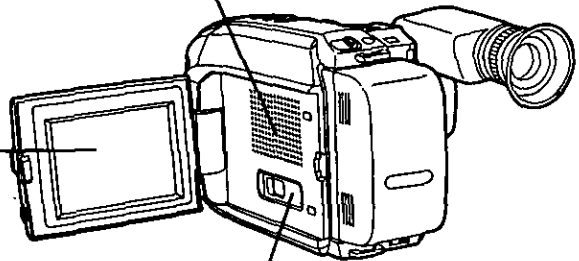
See pages 24, 28.

Earphone Jack (Monaural)

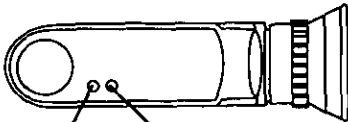
Connect the earphone (M3 type, not supplied) to the earphone jack for monitoring the sound during playback or recording.
See pages 24, 28.

LCD (Liquid Crystal Display) Monitor
See pages 24, 28.

Built-In Speaker



PUSH TO CLOSE Area



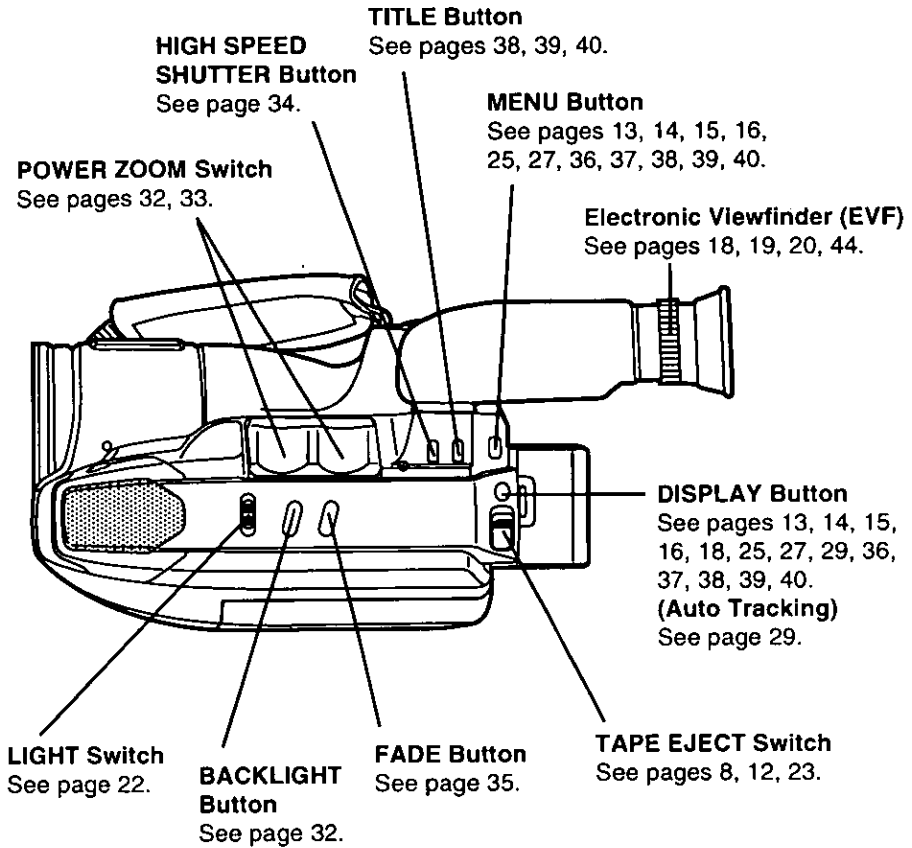
***Focus Control**
Adjust the focus of the picture on the EVF.

***Bright Control**
Adjust the brightness of the picture.

***Note:** These controls have been set at the factory. It is not necessary to adjust these controls under normal circumstances. But, should it become necessary, be careful to make the adjustment with a small, slender screwdriver so as not to damage the miniature control.

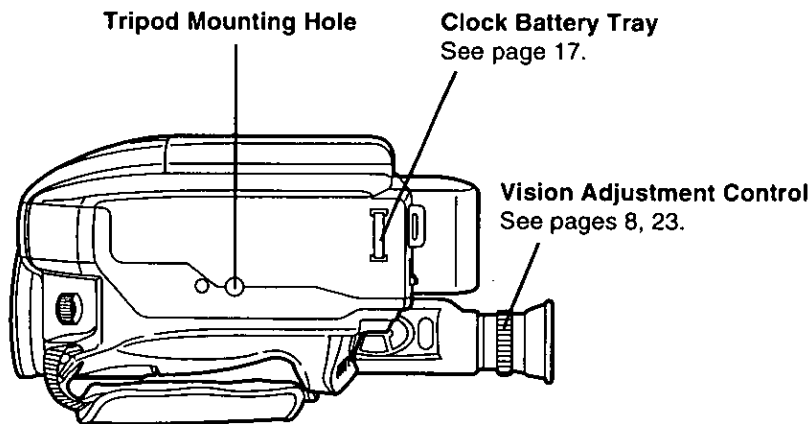
Index of Controls

Top View

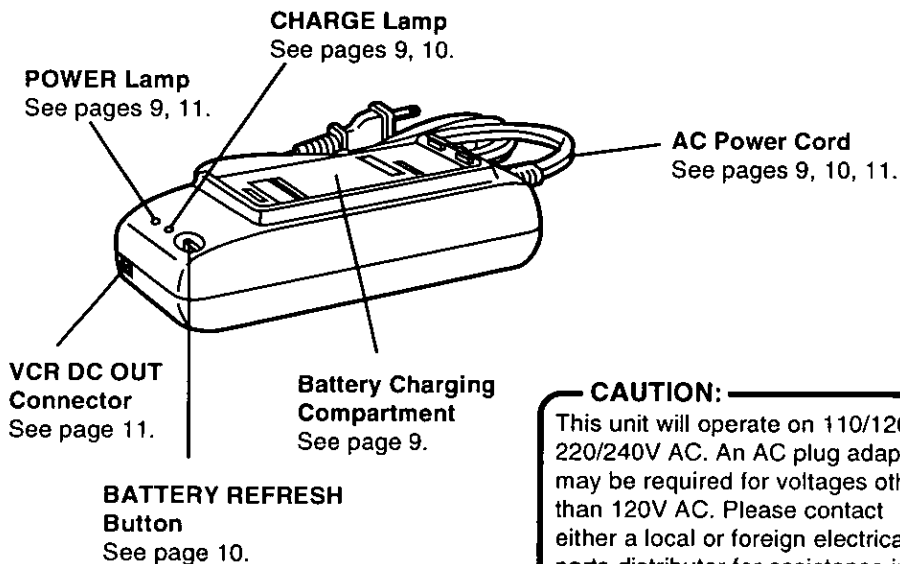


Index of Controls

Underside View



AC Adaptor



CAUTION:

This unit will operate on 110/120/220/240V AC. An AC plug adaptor may be required for voltages other than 120V AC. Please contact either a local or foreign electrical parts distributor for assistance in selecting an alternate AC plug. We recommend using the accessory power plug adaptor (VJSS0070) in an area which has special AC outlets.

| | | | | | |
|-------------------------------|--------------------|------------------------------|----------------|-------------------------|------------|
| A | | H | | T | |
| AC Adaptor | 2, 11, 42 | High Speed Shutter | 34 | 10-Second Reminder | 19 |
| Accessories (Optional) | 42 | High Speed Shutter Indicator | 20, 34 | Tab | 12 |
| Accessories (Supplied) | 2 | L | | Tally Lamp | 37 |
| Audio/Video Cable | 2, 30, 41 | Light | | Tape Speed | 12 |
| Auto Daylight Saving Time | 15 | M | | Tape Warning | 19 |
| Auto Focus | 33 | Macro Focus | 33 | Time Lapse | 36 |
| B | | Manual Focus | 33 | Titler | 38, 39, 40 |
| Backlight | 32 | MENU Mode | 13 | Tracking Control | 29 |
| Battery Pack | 2, 9, 10, 42 | O | | V | |
| Battery Remaining Indication | 18, 19 | One-Touch Auto Fade | 35 | VCR-MODE Indication | 20 |
| Battery Warning | 19 | P | | VHF Connecting Cable | 30, 41 |
| C | | PHONE (earphone) jack | 24, 28 | Video Cassettes (tapes) | 12 |
| Camera Recording | 23, 24, 25, 26, 27 | PLAY Indicator | 19 | Viewing | 30 |
| Car Battery Cord | 11, 42 | Playback | 28, 29, 30, 31 | W | |
| CH 3/4 Switch | 30 | PlayPak | 2, 31, 42 | Warranty | 54 |
| Charging Battery | 9 | Power Supply | 9, 10, 11 | Z | |
| Cleaning Care for Video Heads | 47 | Programmed Recording | 27 | Zoom In/Out | 32 |
| Clock Battery | 2, 17 | R | | | |
| Clock Set | 14, 15, 16, 17 | REC Indicator | 19 | | |
| Copying your Tapes | 41 | RF Adaptor | 30, 42 | | |
| D | | S | | | |
| DC Power Cable | 2, 11, 42 | Safety Precautions | 3 | | |
| DEW Indication | 20 | Search Speed | 29 | | |
| Display-off Mode | 18 | Self Demo Mode | 7 | | |
| E | | Shoulder Strap | 2, 21 | | |
| Easy Edit Stand-by | 26 | Special Effects Playback | 29 | | |
| Erase Protection Tab | 12 | Specifications | 45 | | |
| EVF/LCD Monitor | | Stand-by Quick Release | 25 | | |
| Indications | 18, 19, 20 | Still Picture | 29 | | |
| F | | Symptom/Correction | 46 | | |
| Fade | 35 | | | | |

Warranty

Panasonic Consumer Electronics Company, Division of Matsushita Electric Corporation of America
 One Panasonic Way Secaucus, New Jersey 07094

Panasonic Sales Company, Division of Matsushita Electric of Puerto Rico, Inc.
 Ave. 65 de Infanteria. Km. 9.5 San Gabriel Industrial Park, Carolina, Puerto Rico 00985

PANASONIC/QUASAR Video Products Limited Warranty

Panasonic Consumer Electronics Company or Panasonic Sales Company (collectively referred to as "the Warrantor") will repair this product with new or refurbished parts, free of charge, in the USA or Puerto Rico, in the event of a defect in materials or workmanship as follows (all time periods commence from the date of the original purchase):

| PRODUCT | PARTS | LABOR |
|-------------|--|--|
| CAMCORDER | ONE (1) YEAR, EXCEPT CCD IMAGE SENSOR CCD IMAGE SENSOR - SIX (6) MONTHS | NINETY (90) DAYS NINETY (90) DAYS |
| VCR | ONE (1) YEAR | NINETY (90) DAYS |
| AV MIXER | ONE (1) YEAR | NINETY (90) DAYS |
| MONITOR-VCR | ONE (1) YEAR, EXCEPT CRT CRT - TWO (2) YEARS | NINETY (90) DAYS CRT- NINETY (90) DAYS CUSTOMER PAYS ALL LABOR CHARGES AFTER 90 DAYS |

Monitor-VCR In-home or carry-in Service: 22" (diagonal) CRT / LCD and Larger
Monitor-VCR Carry-in Service: 21" (diagonal) CRT / LCD and smaller

Batteries (if included) - New rechargeable batteries in exchange for defective rechargeable batteries for ten (10) days. Non-rechargeable batteries are not warranted.

Tape (if included) - New video cassette tape in exchange for a defective video cassette tape for five (5) days.

In-home, carry-in or mail-in service, as applicable, in the USA can be obtained during the warranty period by contacting a Panasonic Services Company (PASC) Factory Servicenter listed in the Service Directory. Or call toll free 1-800-211-PANA(7262), to locate an authorized PASC Servicenter. Carry-in or mail-in service in Puerto Rico can be obtained during the warranty period by calling the Panasonic Sales Company telephone number listed in the Servicenter Directory.

This warranty is extended only to the original purchaser. A purchase receipt or other proof of the date of the original purchase is required before warranty service is rendered.

This warranty only covers failures due to defects in materials and workmanship which occur during normal use and does not cover normal maintenance, including, but not limited to, video and audio head cleaning. The warranty does not cover damage which occurs in shipment, or failures which are caused by products not supplied by the warrantor, or failures which result from accident, misuse, abuse, neglect, mishandling, misapplication, alteration, modification, faulty installation, set-up adjustments, improper antenna, inadequate signal pickup, maladjustment of consumer controls, improper operation, power line surge, improper voltage supply, lightning damage, commercial use such as hotel, office, restaurant, or other business or rental use of the product, or service by anyone other than a PASC Factory Servicenter or a PASC authorized Servicenter, or damage that is attributable to acts of God.

LIMITS AND EXCLUSIONS

There are no express warranties except as listed above. THE WARRANTOR SHALL NOT BE LIABLE FOR INCIDENTAL OR CONSEQUENTIAL DAMAGES (INCLUDING, WITHOUT LIMITATION, DAMAGE TO TAPES) RESULTING FROM THE USE OF THIS PRODUCTS, OR ARISING OUT OF ANY BREACH OF THE WARRANTY. ALL EXPRESS AND IMPLIED WARRANTIES, INCLUDING THE WARRANTIES OF MERCHANTABILITY AND FITNESS FOR PARTICULAR PURPOSE, ARE LIMITED TO THE APPLICABLE WARRANTY PERIOD SET FORTH ABOVE. Some states do not allow the exclusion or limitation of incidental or consequential damages, or limitations on how long an implied warranty lasts, so the above exclusions or limitations may not apply to you.

This warranty gives you specific legal rights and you may also have other rights which vary from state to state.

If a problem with this product develops during or after the warranty period, you may contact your dealer or Servicenter. If the problem is not handled to your satisfaction, then write to the Customer Satisfaction Center at the Panasonic Consumer Electronics Company address above.

SERVICE CALLS WHICH DO NOT INVOLVE DEFECTIVE MATERIALS OR WORKMANSHIP AS DETERMINED BY THE WARRANTOR, IN ITS SOLE DISCRETION, ARE NOT COVERED. COSTS OF SUCH SERVICE CALLS ARE THE RESPONSIBILITY OF THE PURCHASER.

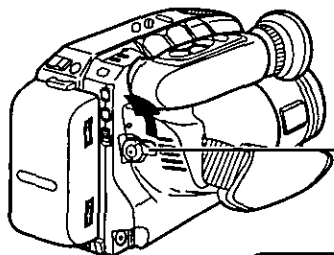
warvid 10/20/97

Spanish Quick Use Guide/Guía Para Uso Rápido

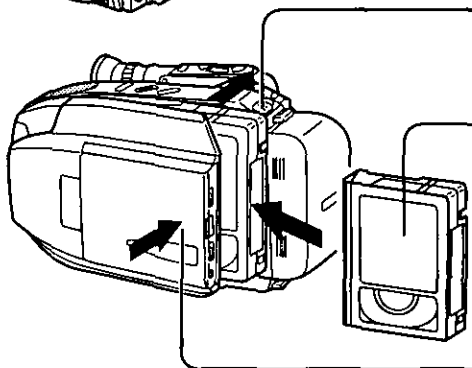
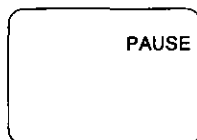
PREPARATIVOS

- Conectar la videocámara a una fuente de alimentación (batería, adaptador de CA o cable para batería de coche).
- Encender el aparato.
- Introducir el casete en el compartimiento de casetes.

GRABACION

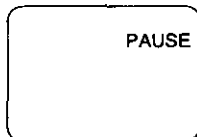


- 1** Fije el interruptor a la posición de CAMERA.



- 2** Deslice el botón EJECT para abrir la puerta.

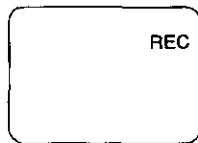
- 3** Introduzca la cinta.



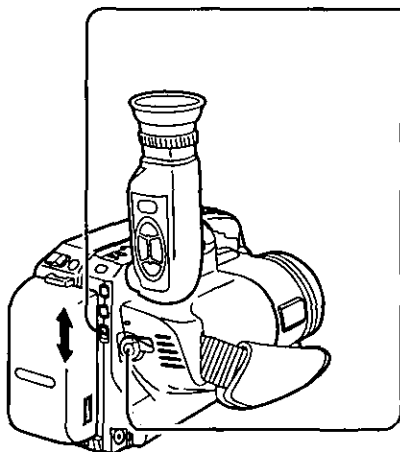
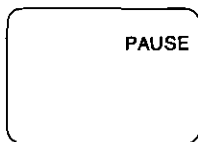
- 4** Cierre la puerta presionando el botón PUSH TO CLOSE.

- 5** Seleccionar la velocidad de grabación.

- 6** Oprimir el botón de grabación/pausa (RECORD/PAUSE) para comenzar a filmar.



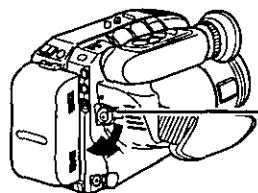
- 7** Volver a oprimir el botón de grabación/pausa (RECORD/PAUSE) cuando se desea hacer una pausa en la grabación.



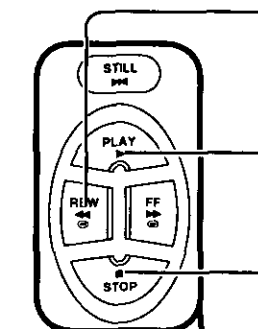
Spanish Quick Use Guide/Guía Para Uso Rápido

- Conectar la videocámara a una fuente de alimentación (batería, adaptador de CA o cable para batería de coche).
- Encender el aparato.
- Introducir el casete en el compartimiento de casetes.

REPRODUCCION NORMAL



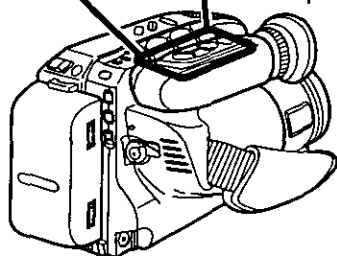
1 Fije el interruptor a la posición de VCR.



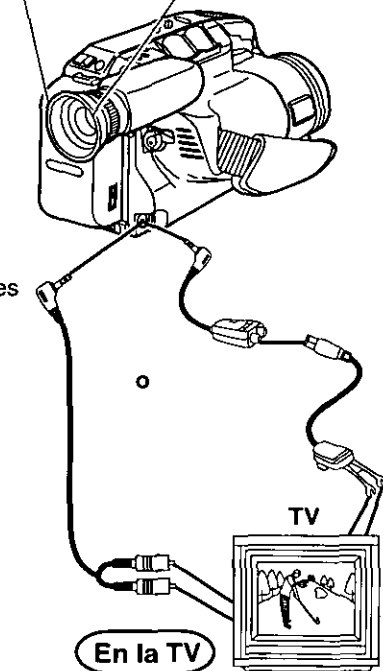
2 Rebobinar la cinta con el botón de rebobinado (REWIND) (si fuera necesario).

3 Oprimir el botón de reproducción (PLAY) para que aparezcan las imágenes en la pantalla.

4 Oprimir el botón de parada (STOP) cuando se desea parar la reproducción.



En el visor



En la TV

REPRODUCCION CON EFECTOS ESPECIALES

PARA LOCALIZAR RAPIDAMENTE UNA ESCENA ESPECIFICA

- Oprimir el botón de localización (SEARCH).

PARA CONGELAR UNA IMAGEN

- Oprimir el botón de pausa/imagen fija (PAUSE/STILL).
- Oprimir nuevamente el botón cuando se desea continuar reproduciendo.

Panasonic Consumer Electronics
Company, Division of Matsushita
Electric Corporation of America
One Panasonic Way Secaucus,
New Jersey 07094

Panasonic Sales Company,
Division of Matsushita Electric of
Puerto Rico, Inc. ("PSC")
Ave. 65 de Infantería, Km. 9.5
San Gabriel Industrial Park
Carolina, Puerto Rico 00985

