



**1.1 Cubic Foot  
Microwave Oven**

MAR 3 0 2005

**OWNER'S MANUAL  
AND  
COOKING GUIDE**

**MW9107W / MW9107B**

Visit our web site at "[www.emersonradio.com](http://www.emersonradio.com)"

# PRECAUTIONS TO AVOID POSSIBLE EXPOSURE TO EXCESSIVE MICROWAVE ENERGY

- (a) Do not attempt to operate this oven with the door open since open-door operation can result in harmful exposure to microwave energy. It is important not to defeat or tamper with the safety interlocks.
- (b) Do not place any object between the oven front face and the door or allow soil or cleaner residue to accumulate on sealing surfaces.
- (c) Do not operate the oven if it is damaged. It is particularly important that the oven door close properly and that there is no damage to the: (1) door (bent), (2) hinges and latches (broken or loosened), (3) door seals and sealing surfaces.
- (d) The oven should not be adjusted or repaired by anyone except properly qualified service personnel.

<b>TABLE OF CONTENTS</b>	
PRECAUTIONS TO AVOID POSSIBLE EXPOSURE TO EXCESSIVE MICROWAVE ENERGY .....	1
IMPORTANT SAFETY INSTRUCTIONS .....	2
FEDERAL COMMUNICATIONS COMMISSION RADIO FREQUENCY INTERFERENCE STATEMENT (U.S.A. ONLY) .....	3
GROUNDING INSTRUCTIONS .....	4
SAFETY PRECAUTIONS .....	4
INSTALLATION .....	6
CARE OF YOUR MICROWAVE OVEN SAFETY .....	6
OMNI WAVE COOKING SYSTEM™ .....	7
HOW TO USE YOUR MICROWAVE OVEN SAFELY .....	8
OPERATION PROCEDURE .....	8
FEATURES DIAGRAM .....	9
HOW TO SET THE OVEN CONTROLS .....	10
TO STOP THE OVEN WHILE THE OVEN OPERATING .....	15
COOKING GUIDE .....	16
COOKING UTENSILS .....	16
COOKING TECHNIQUES .....	16
AUTO DEFROSTING .....	17
AUTO DEFROSTING CHART .....	18
COOKING CHART .....	19
REHEATING CHART .....	20
WEIGHT & MEASURE CONVERSION CHART .....	22
SPECIFICATIONS .....	22
BEFORE YOU CALL FOR SERVICE .....	22
LIMITED WARRANTY .....	24

**SAVE THESE INSTRUCTIONS**

# IMPORTANT SAFETY INSTRUCTIONS

When using electrical appliances, basic safety precautions should be followed, including the following:

## WARNING

To reduce the risk of burns, electric shock, fire, injury to persons or exposure to excessive microwave energy:

1. Read all instructions before using the appliance.
2. Read and follow the specific "PRECAUTIONS TO AVOID POSSIBLE EXPOSURE TO EXCESSIVE MICROWAVE ENERGY" found on page 1.
3. This appliance must be grounded. Connect only to properly grounded outlet. See "GROUNDING INSTRUCTIONS" found on page 4.
4. Install or locate this appliance only in accordance with the provided installation instructions.
5. Some products such as whole eggs and sealed containers—for example, closed glass jars may explode and should not be heated in this oven.
6. Use this appliance only for its intended use as described in this manual. Do not use corrosive chemicals or vapors in this appliance. This type of oven is specifically designed to heat, cook, or dry food. It is not designed for industrial or laboratory use.
7. As with any appliance, close supervision is necessary when used by children.

## SAVE THESE INSTRUCTIONS

2

8. Do not operate this appliance if it has a damaged cord or plug, if it is not working properly, or if it has been damaged or dropped.
9. This appliance should be serviced only by qualified service personnel. Contact nearest authorized service facility for examination, repair or adjustment.
10. Do not cover or block any openings on the appliance.
11. Do not store this appliance outdoors. Do not use this product near water - for example, near a kitchen sink, in a wet basement, or near a swimming pool, and the like.

12. Do not immerse cord or plug in water.
13. Keep cord away from heated surfaces.
14. Do not let cord hang over edge of table or counter.
15. When cleaning surfaces of door and oven that comes together on closing the door, use only mild, non-abrasive soaps or detergents applied with a sponge or soft cloth.
16. To reduce the risk of fire in the oven cavity:
  - (a) Do not overcook food. Carefully attend appliance if paper, plastic, or other combustible materials are placed inside the oven to facilitate cooking.
  - (b) Remove wire twist-ties from paper or plastic bags before placing bag in oven.
  - (c) If materials inside the oven should ignite, keep oven door closed, turn oven off, and disconnect the power cord, or shut off power at the fuse or circuit breaker panel.
17. Do not use this microwave oven to heat corrosive chemicals (for example, sulfides and chlorides). Vapors from such corrosive chemicals may interact with the contact and springs of the safety interlock switches thereby rendering them inoperable.

18. Keep the waveguide cover clean at all times. Wipe the oven interior with a soft damp cloth after each use. If you leave grease or fat anywhere in the cavity it may overheat, smoke or even catch fire when next using the oven.
19. Never heat oil or fat for deep frying as you cannot control the temperature and doing so may lead to overheating and fire.

20. Liquids, such as water, coffee, or tea are able to be overheated beyond the boiling point without appearing to be boiling due to surface tension of the liquid. Visible bubbling or boiling when the container is removed from the microwave oven is not always present. **THIS COULD RESULT IN VERY HOT LIQUIDS SUDDENLY BOILING OVER WHEN A SPOON OR OTHER UTENSIL IS INSERTED INTO THE LIQUID.** To reduce the risk of injury to persons:
  - a) Do not overheat the liquid.
  - b) Stir the liquid both before and halfway through heating it
  - c) Do not use straight-sided containers with narrow necks.
  - d) After heating, allow the container to stand in the microwave oven for a short time before removing the container.
  - e) Use extreme care when inserting a spoon or other utensil into the container.

## ARCING

If you see arcing, press Stop/Clear pad and correct the problem. Arcing is the microwave term for sparks in the oven. Arcing is caused by:

- a) Metal or foil touching the side of the oven.
- b) Foil not molded to food (upturned edges act like antennas).
- c) Metal such as twist-ties, poultry pins, or gold rimmed dishes in the microwave.
- d) Recycled paper towels containing small metal pieces being used in the microwave.

## FEDERAL COMMUNICATIONS COMMISSION RADIO FREQUENCY INTERFERENCE STATEMENT (U.S.A. ONLY)

### WARNING:

This equipment generates and uses ISM frequency energy and if not installed and used properly, that is in strict accordance with the manufacturer's instructions, may cause interference to radio and television reception. It has been type-tested and found to comply with limits for an ISM Equipment pursuant to part 18 of FCC Rules, which are designed to provide reasonable protection against such interference in a residential installation. However, there is no guarantee that interference will not occur in a particular installation. If this equipment does cause interference to radio or television reception, which can be determined by turning the equipment off and on, the user is encouraged to try to correct the interference by one or more of the followings.

- Reorient the receiving antenna of radio or television.
  - Relocate the Microwave oven with respect to the receiver.
  - Move the microwave oven away from the receiver.
  - Plug the microwave oven into a different outlet so that microwave oven and receiver are on different branch circuits.
- THE MANUFACTURER is not responsible for any radio or TV interference caused by UNAUTHORIZED MODIFICATION to this microwave oven.
- It is the responsibility of the user to correct such interference.

## SAVE THESE INSTRUCTIONS

3

# GROUNDING INSTRUCTIONS

This appliance must be grounded. In the event of an electrical short circuit, the grounding plug reduces the risk of electric shock by providing an escape wire for electric current. This appliance is equipped with a cord having a grounding wire with a grounding plug. The plug must be plugged into an outlet that is properly installed and grounded.

## WARNING

Improper use of the grounding can result in a risk of electric shock. Consult a qualified electrician or serviceman if the grounding instructions are not completely understood, or if doubt exists as to whether the appliance is properly grounded, and either:

- (1) If it is necessary to use an extension cord, use only a 3-wire extension cord that has a 3-blade grounding plug, and a 3-slot receptacle that will accept the plug on the appliance. The marked rating of the extension cord shall be equal to or greater than the electrical rating of the appliance. or
- (2) Do not use an extension cord, if the power supply cord is too short, have a qualified electrician or serviceman install an outlet near the appliance.

## WARNING

Do not cut or remove the third(ground) prong from the power cord under any circumstances.

## USING AN ADAPTER

Due to potential safety hazards, we strongly recommend against the use of an adapter plug. However, if the still elect to use an adapter, where local codes may permit, a TEMPORARY CONNECTION may be made to a properly grounded two prong wall receptacle by the use of a UL/CSA listed adapter, which is available at most hardware stores.

## SAFETY PRECAUTIONS

### GENERAL USE

DO NOT attempt to temper with or make any adjustment or repair to door, control panel or any other part of the oven. DO NOT remove outer case from oven. Repairs should only be done by a qualified service person.

If a fire occurs in the oven, touch the STOP/CLEAR pad and LEAVE THE DOOR CLOSED. Disconnect the power cord, or shut off power at the fuse or circuit breaker panel.

DO NOT operate the oven empty. The microwave energy will reflect continuously throughout the oven if no food or water is present to absorb energy.

DO NOT attempt to dry clothes, newspapers or other materials in the oven. They may catch on fire.

DO NOT use recycled paper products as they may contain impurities which may cause sparks and/or fires when used.

DO NOT hit or strike the control panel, damage to controls may occur.

AVOID inserting nails, wire, etc. through any holes in the unit while operating the oven. Never insert a wire, nails or any other metal object through the holes on the cavity or any other holes or gaps because such objects may cause electric shock and microwave leakage.

### UTENSILS

METAL CONTAINERS or dishes with metallic rims should not be used.

Arcing may occur.

METAL TWIST-TIE must not be used in the microwave oven.

DO NOT use SEALED JARS or NARROW NECK bottles for cooking or reheating. They may shatter.

DO NOT use CONVENTIONAL THERMOMETERS in the microwave oven.

They may cause arcing.

Remove PLASTIC STORE WRAPS before cooking or defrosting in the oven.

For FURTHER INFORMATION on proper cooking utensils, refer to the Introduction in the Microwave cooking guide.

## FOOD

Never use your microwave oven for HOME CANNING. The oven is not designed to permit proper canning. Improperly canned food may spoil and be dangerous to consume.

COOKING TIMES given in the cooking guide are APPROXIMATE. Factors that may affect cooking are: starting temperature, altitude, volume, size and shape of foods and utensils used. As you become familiar with the oven, you will be able to adjust for these factors.

It is better to UNDERCOOK RATHER THAN OVERCOOK foods. If food is undercooked, it can always be returned to the oven for further cooking. If food is overcooked, nothing can be done. Always start with minimum cooking times.

SMALL QUANTITIES of food or foods with LOW MOISTURE content can burn, dry out or catch on fire if cooked too long. DO NOT boil eggs in their shell. Pressure may build up and the eggs will explode.

Potatoes, apples, egg yolks, whole acorn squash and sausage are examples of food with NONPOROUS SKINS. These must be pierced before cooking to prevent bursting.

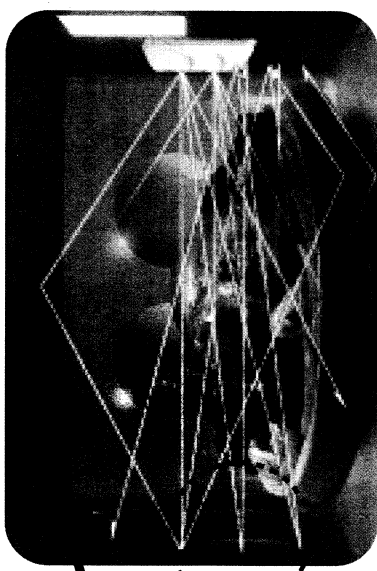
POPCORN must be popped in a microwave corn popper. Microwave popped corn produces a lower yield than conventional popping. Do not pop popcorn unless popped in a microwave approved popcorn utensils or unless it's commercially packaged and recommended especially for microwave ovens. Do not use oil unless specified by the manufacturer.

DO NOT attempt to deep fry in your oven. HEATED LIQUIDS can ERUPT if not mixed with air. Do not heat liquids in your microwave oven without first stirring.

SAVE THESE INSTRUCTIONS

# OMNI WAVE COOKING SYSTEM™

The Omni Wave Cooking System™ is a new technology from Emerson aimed at cooking food evenly and quickly.



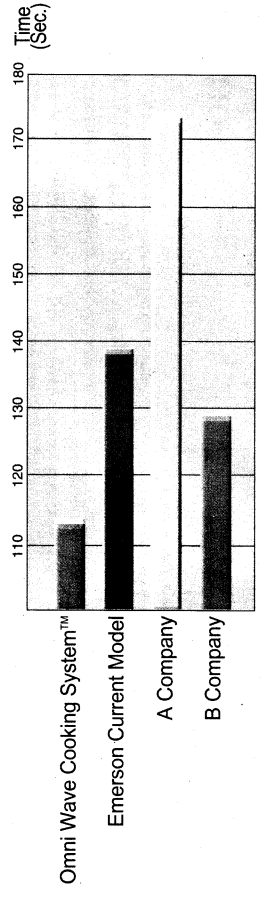
**REFLECTOR**

**What is the Omni Wave Cooking System™?** The Omni Wave Cooking System™ concentrates the waves equally on all areas of the food item. The dual wave system distributes waves evenly into the cavity from two points, one above the item and one below.

**Minimized Vertical Temperature Variation:** The Omni Wave Cooking System™ emits microwaves on to a reflector which concentrates them on the food, resulting in even cooking. No more hot or cold spots!

**Minimized Horizontal Temperature Variation:** The Omni Wave Cooking System™ minimizes discrepancy in the temperature of each cooking area by emitting microwaves on the entire tray.

**Minimized Cooking Time:**



[Cooking test on a 3.5oz (99g) bag of popcorn]

The Omni Wave Cooking System™ achieves quick cooking by emitting microwaves to all sides of the food.

## CARE OF YOUR M.W.O

Turn the oven off before cleaning. Keep the inside of the oven clean. When food spatters or spilled liquids adhere to oven walls, wipe with a damp cloth. Mild detergent may be used if the oven gets very dirty. The use of harsh detergent or abrasives is not recommended.

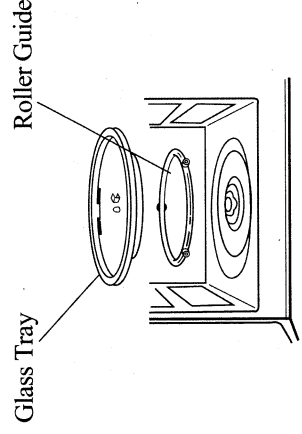
The outside oven surface should be cleaned with soap and water, rinsed and dried with a soft cloth. To prevent damage to the operating parts inside the oven, water should not be allowed to seep into the ventilation openings.

If the Control Panel becomes wet, clean with a soft, dry cloth. Do not use harsh detergents or abrasives on Control Panel.

If steam accumulates inside or around the outside of the oven door, wipe with a soft cloth. This may occur when the microwave oven is operated under high humidity conditions and in no way indicates malfunction of the unit.

It is occasionally necessary to remove the glass tray for cleaning. Wash the tray in warm sudsy water or in a dishwasher.

The roller guide and oven cavity floor should be cleaned regularly to avoid excessive noise. Simply wipe the bottom surface of the oven with mild detergent water or window cleaner and dry. The roller guide may be washed in mild sudsy water.



## INSTALLATION

**Examine the oven after unpacking.** Check for damage such as a misaligned door, broken door or dent in the cavity. If any damage is visible, DO NOT INSTALL, and notify your dealer immediately.

**Level, flat location.** Install the microwave oven on a level, flat surface.

**Ventilation.** Do not block air vents. If they are blocked during operation, the oven may overheat and eventually cause a failure.

For proper ventilation, allow 3 inches of space between oven top, sides, rear and adjacent surfaces.

**Away from radio and TV sets.** Poor television reception and radio interference may result if the oven is located close to a TV, radio, antenna, feeder, etc.

Place the oven as far from them as possible. **Away from heating appliances and water taps.** Keep the oven away from heat, steam or splashing liquids when choosing a place to position it, otherwise the insulation might be adversely affected and breakdowns may occur.

**Power supply.** This microwave oven requires a power supply of approximately 20 Amperes, 120 Volts, 60Hz and a grounded outlet.

A short power cord is provided to reduce the risk of the user becoming entangled in or tripping over longer cord. Longer cord sets or extension cords are available and may be used if care to exercised in their use.

If an extension cord is used, the marked electrical rating of the cord should be at least as great as the electrical rating of the oven. The extension cord must be a grounding-type 3-wire cord. The longer cord should be arranged so it does not drape over the table top or counter where children can pull on it or trip over it.

## HOW TO USE YOUR MICROWAVE OVEN SAFELY

Although your oven is provided with safety features, it is important to observe the following:

- a) It is important not to defeat or tamper with safety interlocks.
- b) Do not place any object between the front face and the door or allow residue to accumulate on sealing surfaces. Wipe the sealing area frequently with a mild detergent, rinse and wipe dry. Never use abrasive powders or pads.
- c) When opened, the door must not be subjected to stain, for example, a child hanging on an opened door or any load could cause the oven to fall forward to cause injury and also damage the door. Do not operate the oven if it is damaged, until it has been repaired by a qualified service engineer. It is particularly important that the oven door closes properly and that there is no damage to the:
  - i) Door (bent)
  - ii) Hinges and Latches (broken or loosened)
  - iii) Door seals and Sealing surfaces
  - d) The oven should not be adjusted or repaired by anyone except properly qualified service personnel.

### NOTE:

It is quite normal for steam to be emitted around the door during the cooking cycle. The door is not intended to seal the oven cavity completely, but its special design contributes to the complete safety of the appliance.

### CAUTION:

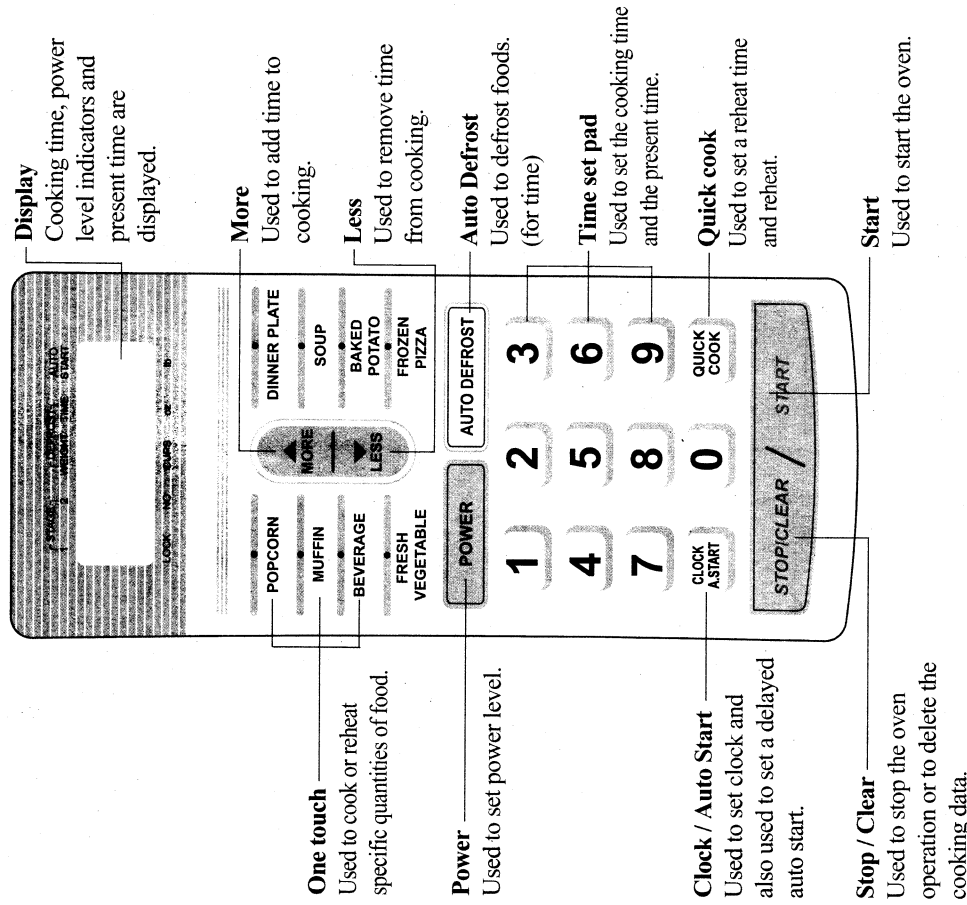
1. Do not attempt to operate the oven while empty as this will cause damage.
2. As an exhaust is located in the rear of the oven, install the oven so as not to block the outlet.

## OPERATION PROCEDURE

This section includes useful information about oven operation.

1. Plug power supply cord into a standard 3-pronged 20 Amp, 120V AC 60Hz power outlet.
2. After placing the food in a suitable container, open the oven door and put it on the glass tray. The glass tray and roller guide must always be in place during cooking.
3. Shut the door. Make sure that it is firmly closed. When the oven door is closed, the light turns off. The oven door can be opened at any time during operation by pressing the door release button on the control panel. The oven will automatically shut off. To restart the oven, close the door and then touch START. Each time a pad is touched, a BEEP will sound to acknowledge the touch. The oven automatically cooks on full power unless set to a lower power level. The display will show " : 0 " when the oven is plugged in. Time clock returns to the present time when the cooking time ends. When the STOP/CLEAR is touched during the oven operation, the oven stops cooking and all information retained. To erase all information(except the present time), touch the STOP/CLEAR once more. If the oven door is opened during the oven operation, all information is retained. If the START is touched and the oven does not operate, check the area between the door and door seal for obstructions and make sure the door is closed securely. The oven will not start cooking until the door is completely closed or the program has been reset. Make sure the oven is properly installed and plugged into the electrical outlet.

## FEATURES DIAGRAM



# HOW TO SET THE OVEN CONTROLS

## SETTING THE CLOCK

When the oven is first plugged in, the display will flash "0:" and a tone will sound. If the AC power ever goes off, the display shows "0:" when the power comes back on.

1. Touch **CLOCK/A.START** pad. This is a 12 hour clock system.
2. Touch **CLOCK/A.START** pad once more. This is a 24 hour clock system.
3. Enter the correct time of day by touching the numbers in sequence.
4. Touch **CLOCK/A.START** pad.

<The display stops blinking, and the colon starts blinking. If you selected 12 hour clock system, this digital clock allows you to set from 1:00 to 12:59. If you selected 24 hour clock system, this digital clock allows you to set from 0:00 to 23:59>

**NOTE:** If you attempt to enter an incorrect time, the time will not be set and a error signal tone will sound. Touch the **CLOCK/A.START** pad and re-enter the time.

## WEIGHT DEFROSTING

**WEIGHT DEFROST** lets you easily defrost food by eliminating guesswork in determining defrosting time. The minimum weight for **WEIGHT DEFROST** is 0.5 lb. The maximum weight for **WEIGHT DEFROST** is 6.5 lb. Follow the steps below for easy defrosting.

1. Touch **AUTO DEFROST** pad.

<The **WEIGHT DEFROST** indicator lights and "0.0" is displayed>

2. Select desired defrosting weight.

<The display will show what you touched>

3. Touch **START** pad.

**WEIGHT DEFROSTING** begins. The defrosting time is automatically determined by the food category and weight entered. The lb. indicator goes off and the **WEIGHT DEFROST** indicator blinks and the defrosting time counts down in the display window. The oven beeps during the defrosting cycle to signal that the food needs to be turned or rearranged.

When the defrosting time ends, you will hear 3 beeps.

**NOTE:** To prevent over-defrosting thin areas or edges can be shielded with strips of aluminum foil.

## TIME DEFROSTING

When **TIME DEFROST** is selected, the automatic cycle divides the defrosting time into periods of alternating defrost and stand times by cycling on and off.

1. Touch **AUTO DEFROST** pad twice.

<The **TIME DEFROST** indicator lights and "0:" is displayed>

2. Touch number pads for the desired defrosting time.

<The display will show what you touched>

3. Touch **START** pad.

**Note :** Your oven can be programmed for 59 minutes 99 seconds(59:99)

When you touch **START** pad, the **TIME DEFROST** indicator starts blinking to show the oven is in the **TIME DEFROST** mode.

The display counts down the time to show you how much defrosting time is left in the **TIME DEFROST** mode. If the weight of food is more than 0.6 pounds time entered is more than 4:16 in time defrost, the oven beeps during the defrosting cycle to signal that the food needs to be turned or rearranged. When the defrosting time ends, you will hear 3 beeps.

**Note :** To prevent over-defrosting thin areas or edges can be shielded with strips of aluminum foil.

## COOKING IN ONE STAGE

1. Touch **POWER** pad.

<The **STAGE1** indicator lights and "P:" is displayed.>

2. Touch the number pad for the power level you want.

<The display will show what you touched>

**Note :** If step 1 and 2 are omitted, the oven will cook at full power.

3. Touch number pads for the cooking time.

<The display will show what you touched>

4. Touch **START** pad.

**Note :** Your oven can be programmed for 59 minutes 99 seconds. (59:99)

Using lower power levels increases the cooking time which is recommended for foods such as cheese, milk and slow cooking of meats.

When you touch **START** pad, the **STAGE1** indicator starts blinking to show the oven is cooking. The display counts down the time to show how much cooking time is left. When the cooking time ends, you will hear 3 beeps.

## COOKING IN TWO STAGES

For the best result, some recipes call for one power level for a certain length of time and another power level for a different length of time.

Your microwave oven can be set to change from one to another.

1. Touch **POWER** pad.

<The **STAGE 1** indicator lights and "P:" is displayed.>

2. Touch the number pads for the power level you want in the first stage.

<The display will show what you touched.>

3. Touch the number pad for the desired cooking time in the first stage.

<The display will show what you touched.>

4. Touch **POWER** pad.

<The **STAGE 2** indicator lights and "P:" is displayed.>

5. Touch the number pads for the power level you want in the second stage.

<The display will show what you touched.>

6. Touch the number pad for the desired cooking time in the second stage.

<The display will show what you touched.>

7. Touch **START** pad.

When you touched **START** pad, both **STAGE 1** & **STAGE 2** indicator lights come on, **STAGE 1**

indicator light starts blinking to show you that the oven is cooking in the first of two cook

stages. The oven will cook at the power you selected for stage one. At the end of stage one,

the oven will beep and start stage two, the **STAGE1** indicator goes off and the **STAGE2**

indicator starts blinking. The display counts down the time remaining in stage two. When

stage two ends, you will hear 3 beeps.

## WEIGHT DEFROSTING AND COOKING IN TWO STAGES

All recipes require frozen foods to be thawed before cooking. This oven can be programmed to automatically defrost foods before cooking.

1. Touch **AUTO DEFROST** pad.  
<The **WEIGHT DEFROST** indicator and "0.0" is displayed. And the lb. indicator starts blinking.>
2. Touch number pads for the defrosting weight you want.  
<The display will show the numbers you pressed in the order you touched.>
3. Touch **POWER** pad.  
<The **STAGE1** indicator lights and "P-" is displayed.>
4. Touch **POWER** pad once more.  
<"P-HI" will appear in the display window.>
5. Touch number pads for the cooking time you want in the first stage.  
<The display will show the numbers you pressed in the order you touched.>
6. Touch **POWER** pad.  
<The **STAGE2** indicator lights and "P-" is displayed.>
7. Touch the number pads for the power level you want in the second stage.  
<The display will show what you touched.>
8. Touch the number pads for the cooking time you want in the second stage.  
<The display will show the numbers you pressed in the order you touched.>
9. Touch **START** pad.

When you touch **START** pad, the **WEIGHT DEFROST**, **STAGE1** and **STAGE2** indicators come on to confirm the power levels selected. The **WEIGHT DEFROST** indicator starts

blinking to show you that the oven is in **WEIGHT DEFROST** mode. When the oven beeps, turn over, break a part and redistribute a beep. At the end of **WEIGHT DEFROST** mode, the oven will beep and start stage 1. The **WEIGHT DEFROST** indicator goes off and the **STAGE1** indicator starts blinking. The display counts down the time remaining in stage one. At the end of stage one, the oven will beep and start stage two. The **STAGE1** indicator goes off and the **STAGE2** indicator starts blinking. The display counts down the time remaining in stage two when stage two ends, you will hear 3 beeps.

## AUTO START

**AUTO START** allows you to program cooking to start at a time you select. The food will automatically start cooking at the desired time. Program is able up to 2 stages (not acceptable **DEFROST**)

1. Program the desired power level and cooking time.
2. Touch **CLOCK/A.START** pad.  
<The **AUTO START** indicator lights and ":0" is displayed.>
3. Enter the desired start time by pressing the number pads.  
<The display will show the numbers you pressed in the order you touched.>
4. Touch **START** pad.

When you touch **START** pad, the present time appears in the display and the cooking program indicators come on. The **AUTO START** indicator and the colon start blinking. When the selected start time arrives, the oven begins operating and the oven light turns on. The **AUTO START** indicator goes off and the next stage indicator begins to blink. When the cooking is completed you will hear 3 beeps. The oven turns off and the present time appears in the display.

**Note** : **AUTO START** can be used for time cooking, if clock is set. If the oven door is opened after programming **AUTO START**, it is necessary to touch the **START** pad so that the oven will automatically begin programmed cooking at the chosen **AUTO START** time. Before setting, check to make sure the clock is showing the correct time of day.

## TO CHECK AUTO START TIME

Once you have correctly programmed oven for **AUTO START**, the present time will appear on the display.

1. Touch **CLOCK/A.START** pad.  
<The programmed **AUTO START** time will appear on the display for 3 seconds.>

## QUICK COOK

**QUICK COOK** allows you to reheat for 30 seconds at 100% (full power) by simply touching the **QUICK COOK** pad. By repeatedly touching the **QUICK COOK** pad, you can also extend reheating time to 5 minutes by 30 second increments.

1. Touch **QUICK COOK** pad.  
<When you touch **QUICK COOK**, ":30" is displayed. After 1.5 seconds, the oven starts reheating.>

## ONE TOUCH COOKING

One touch cooking allows you to cook or reheat many of your favorite foods by touching just one pad. To increase quantity, touch chosen pad until number in display is same as desired quantity to cook (except for **MUFFIN & DINNER PLATE**)

1. Touch **POPCORN** pad once for 3.5 oz or twice for 1.75 oz.  
<When you touch **POPCORN** pad, "3.5" is displayed. After the 1.5 seconds, the display shows the cooking time the oven starts cooking.>

## \* POPCORN\*

- 3.5 oz : Touch **POPCORN** once.
- 1.75 oz : Touch **POPCORN** twice within 1.5 seconds.

**NOTE**: 1. Use prepackaged room-temperature microwave popcorn.

2. Place bag in oven according to manufacturer's directions.
3. Pop only one bag at a time.
4. After popping, open bag carefully; popcorn and steam are extremely hot.
5. Do not reheat unpopped kernels or reuse bag.
6. Do not leave oven unattended while popping popcorn.

**CAUTION**: If prepackaged popcorn is of a different weight than the recommended weight, do not use the popcorn pad. Follow the manufacturer instruction.

## \* FROZEN PIZZA \*

1. Touch **FROZEN PIZZA** pad once for a 7 oz pizza or twice for a 10 oz pizza.  
<When you touch **FROZEN PIZZA** pad once, "7" is displayed. After 1.5 seconds, the display is changed into the cooking time and the oven start cooking.>

## \* FROZEN PIZZA \*

- 7 oz : Touch **FROZEN PIZZA** once.
- 10 oz : Touch **FROZEN PIZZA** twice within 1.5 seconds.

**NOTE**: 1. Use only one frozen pizza at a time  
2. Use only frozen pizza made for microwave ovens.

3. If the cheese of frozen pizza does not melt sufficiently, cook a few seconds longer.
4. Some brands of frozen pizza may require more or less cooking time.



### Wattage output chart

- The power-level is set by pressing the POWER pad. The chart shows the display, the power level and the percentage of power.

Touch POWER pad Once the Touch	Power level (Display)	Approximate Percentage of Power
Power	P-HI	100%
9	P-90	90%
8	P-80	80%
7	P-70	70%
6	P-60	60%
5	P-50	50%
4	P-40	40%
3	P-30	30%
2	P-20	20%
1	P-10	10%
0	P-00	0%

### CHILD SAFETY LOCK

The safety lock prevents unwanted oven operation such as by small children. To set, press and hold STOP/CLEAR for 3 seconds. To cancel, press and hold STOP/CLEAR for 3 seconds.

## TO STOP THE OVEN WHILE THE OVEN IS OPERATING

1. Press STOP/CLEAR pad.
  - You can restart the oven by touching START pad.
  - Touch STOP/CLEAR once more to erase all instructions.
  - You must enter in new instructions.

2. Open the door.
  - You can restart the oven by closing the door and touching START.

**NOTE:** Oven stops operating when door is opened.

### \* FRESH VEGETABLE \*

1. Touch FRESH VEGETABLE pad once for 8 oz of fresh vegetable twice for 12 oz of fresh vegetable. <When you touch FRESH VEGETABLE pad once, "8" is displayed. After 1.5 seconds, the display is changed into cooking time and the oven starts cooking.>

### \* FROZEN VEGETABLE \*

- 8 oz : Touch FRESH VEGETABLE once.
- 12 oz : Touch FRESH VEGETABLE twice within 1.5 seconds.

### \* BAKED POTATO \*

1. Touch BAKED POTATO pad once for 1 potato, twice for 2 potatoes or three times for 3 potatoes.  
<When you touch BAKED POTATO pad, "1" is displayed. After the 1.5 seconds, the display changed into cooking time of quantity and the oven starts cooking.>

### \* BAKED POTATO \* (5.5 oz~6.5 oz/EA)

- 1 Piece : Touch BAKED POTATO once.
- 2 Pieces : Touch BAKED POTATO twice within 1.5 seconds.
- 3 Pieces : Touch BAKED POTATO three times within 1.5 seconds.

### MORE, LESS

MORE pad : adds 10 seconds to 20 seconds  
LESS pad : removes 10 seconds to 20 seconds

These pads only work on one touch cooking mode. And always input first.

### \* BEVERAGE \*

1. Touch BEVERAGE pad once for 1 cup, twice for 2 cups or three times for 3 cups.  
<When you touch BEVERAGE pad once, "1" is displayed. After 1.5 seconds, the display is changed into cooking time and the oven starts cooking.>

### \* BEVERAGE \* (250 ml/cup)

- 1 cup (mug) : Touch BEVERAGE once.
- 2 cups (mugs): Touch BEVERAGE twice within 1.5 seconds.
- 3 cups (mugs): Touch BEVERAGE three times within 1.5 seconds.

### \* DINNER PLATE \*

1. Touch DINNER PLATE pad once for 11 oz of dinner plate. <When you touch DINNER PLATE pad once, "11" is displayed. After 1.5 seconds, the display is changed into cooking time and the oven start cooking.>

### \* MUFFIN \*

1. Touch MUFFIN pad once for 5 muffins.  
<When you touch MUFFIN pad once, "5" is displayed. After 1.5 seconds, the display changed into cooking time of quantity and the oven starts cooking.>

### \* SOUP \*

1. Touch SOUP pad once for 8oz of soup or twice for 12oz of soup.  
<When you touch SOUP pad once, "8" is displayed. After 1.5 seconds, the display changed into cooking time of quantity and the oven starts cooking.>

### \* SOUP \*

- 8 oz : Touch SOUP once.
- 12 oz : Touch SOUP twice within 1.5 seconds.

# COOKING GUIDE

## COOKING UTENSILS

### Recommended Use

**Glass and glass-ceramic bowls and dishes** - Use for heating or cooking.

**Microwave browning dish** - Use to brown the exterior of small items such as steaks, chops, or pancakes. Follow the directions provided with your browning dish.

**Microwaveable plastic wrap** - Use to retain steam. Leave a small opening for some steam to escape and avoid placing it directly on the food.

**Wax paper** - Use as a cover to prevent spattering.

**Paper towels and napkins** - Use for short term heating and covering; they absorb excess moisture and prevent spattering. Do not use recycled paper towels, which may contain metal and can catch fire.

**Paper plates and cups** - Use for short-term heating at low temperatures. Do not use recycled paper, which may contain metal and can catch fire.

**Thermometers** - Use only those labeled "Microwave Safe" and follow all directions. Check the food in several places. Conventional thermometers may be used once the food has been removed from the oven.

### Limited Use

**Aluminum foil** - Use narrow strips of foil to prevent overcooking of exposed areas. Using too much foil can damage your oven, so be careful.

**Ceramic, porcelain, and stoneware** - Use these if they are labeled "Microwave Safe". If they are not labeled, test them to make sure they can be used safely. Never use dishes with metallic trim.

**Plastic** - Use only if labeled "Microwave Safe". Other plastics can melt.

**Straw, wicker, and wood** - Use only for short-term heating, as they can be flammable.

### Not Recommended

**Glass jars and bottles** - Regular glass is too thin to be used in a microwave, and can shatter.

**Paper bags** - These are a fire hazard, except for popcorn bags that are designed for microwave use.

**Styrofoam plates and cups** - These can melt and leave an unhealthy residue on food.

**Plastic storage and food containers** - Containers such as margarine tubs can melt in the microwave.

**Metal utensils** - These can damage your oven. Remove all metal before cooking.

# AUTO DEFROSTING

## GENERAL INFORMATION

⇨ Put the food on a microwave rack (roasts, bone-in pieces) or in a microwave casserole (small pieces such as cubes or strips) or weigh at home on a kitchen scale. Round number to the nearest tenth of a pound and choose that number with each item pads.

⇨ The shape of food items, especially larger ones, will vary affect the way defrost. Always check the status after the standing time. Fish, seafood and poultry should still be somewhat icy in the center the held under cold running water to finish defrosting. If more time is needed, use DEFROST by time to add time in small increments.

⇨ Halfway through the defrosting process, a series of beeps will indicate that it is time to change the position of the item being defrosted. The includes turning over or rotating the item, separating defrosted pieces or sections, or shielding.

⇨ Shielding means to use a 2-inch strip of aluminum foil to protect thinner or unevenly shaped part from beginning to cook. Microwave energy will not penetrate the foil. Some rules apply to the use of foil:

Do not let the foil pieces touch each other or the sides of the microwave oven. Be sure that all ends are touched under and lie flat to the food.

Remember to adjust foil when a item is turned over and cover with wax paper.

⇨ To prepare food for freezer storage (and later defrosting), wrap tightly in moisture proof packaging. If using freezer plastic bags, be sure to let all the air out to prevent freezer bump on the food. Package so that food is as evenly shaped as possible ease in defrosting

## COOKING TECHNIQUES

### Stirring

Stir foods such as casseroles and vegetables while cooking to distribute heat evenly. Food at the outside of the dish absorbs more energy and heats more quickly, so stir from the outside to the center. The oven will turn off when you open the door to stir your food.

### Arrangement

Arrange unevenly shaped foods, such as chicken pieces or chops, with the thicker, meatier parts toward the outside of the turntable where they receive more microwave energy. To prevent overcooking, place thin or delicate parts toward the center of the turntable.

### Shielding

Shield food with narrow strips of aluminum foil to prevent overcooking. Areas that need shielding include poultry wing-tips, the ends of poultry legs, and corners of square baking dishes. Use only small amounts of aluminum foil. Larger amounts can damage your oven.

### Turning

Turn foods over midway through cooking to expose all parts to microwave energy. This is especially important with large items such as roasts.

### Standing

Foods cooked in the microwave build up internal heat and continue to cook for a few minutes after the oven stops. Let foods stand to complete cooking, especially foods such as roasts and whole vegetables. Roasts need this time to complete cooking in the center without overcooking the outer areas. All liquids, such as soup or hot chocolate, should be shaken or stirred when cooking is complete. Let liquids stand a moment before serving. When heating baby food, stir well and test the temperature before serving.

### Adding Moisture

Microwave energy is attracted to water molecules. Food that is uneven in moisture content should be covered or allowed to stand so that the heat disperses evenly. Add a small amount of water to dry food to help it cook.

## AUTO DEFROSTING CHART

FISH AND SEAFOOD		COOKING TIME PER POUND
ITEM	SPECIAL INSTRUCTIONS	COOKING TIME PER POUND
Fish Fillets Frozen in block	Place fillets on a microwave rack; cover paper towel. At beeps, turn over block of fish. Separate fillets, if possible. Press START to continue defrosting. Let stand 10 minutes then finish with cold running water (about 5 minutes).	7 min.
Individual Fish Fillets or Fish Steaks	Place fish on a microwave rack; cover with paper towel. At beeps, turn fish over. Press START to continue defrosting. Let stand 5 minutes then finish with cold running water (about 5 minutes).	7 min.
<b>PORK</b>		
ITEM	SPECIAL INSTRUCTIONS	COOKING TIME PER POUND
Pork Strips	Place pork strips on a microwave rack; cover with paper towel. At beeps, separate and turn over. Press START to continue defrosting. Let stand 20 minutes.	7 min.
Pork Cubes	Place pork cubes on a microwave rack; cover with paper towel. At beep, separate and rearrange. Press START to continue defrosting. Let stand 20 minutes.	7 min.
<b>BEEF</b>		
ITEM	SPECIAL INSTRUCTIONS	COOKING TIME PER POUND
Beef Rolled Rump Roast, boneless - <b>OR</b> - Beef Round Sirloin Tip Roast, boneless	Place roast (up to 3 pounds) on a glass cooking tray with paper towel. At beeps, turn over and shield before continuing. Press START to continue defrosting. Let stand 30 minutes.	7 min.
Ground Beef 1/2 to 1 pound	Place beef on a glass cooking tray with paper towel. At beeps, remove any defrosted meat. Press START to continue defrosting. Let stand 10 minutes.	8 min.
<b>POULTRY</b>		
ITEM	SPECIAL INSTRUCTIONS	COOKING TIME PER POUND
Whole Chicken - <b>OR</b> - Cornish Hen	Place chicken, breast side down, on a glass cooking tray with paper towel. At beeps, turn over and shield before continuing. Press START to continue defrosting. Let stand 20 minutes. If needed, finish defrosting under cold running water.	10 min.
Whole Chicken, Cut up <b>OR</b> - Chicken Pieces, Bone-in	Place chicken on a glass cooking tray with paper towel. At beeps, turn over, separate and rearrange; shield bones. Press START to continue defrosting. Let stand 15 minutes. If needed, finish defrosting under cold running water.	7 min.

## COOKING CHART

MEAT		MICROWAVE POWER	COOKING TIMER PER POUND	
ITEM	MICROWAVE POWER	COOKING TIMER PER POUND	COOKING TIMER PER POUND	
<b>Beef</b> Standing/rolled Rib - Rare - Medium - well done Ground Beef(to brown for casserole) Hamburgers, Fresh or defrosted (4 oz. Each)  2 patties 4 patties	P-80 P-80 P-80 P-HI  P-HI P-HI	10 min. 12 min. 14 min. 7 min.  4 min. 5 min.		
<b>Pork</b> Loin, Leg Bacon  4 slices 6 slices	P-80  P-HI P-HI	14 min.  3 min. 4 min.		
<b>NOTE:</b> The above times should be regarded only as a guide. Allow for difference in individual tastes and preferences. The times may vary due to the shape, cut, and composition of the meat.				
POULTRY		MICROWAVE POWER	COOKING TIMER PER POUND	
ITEM	MICROWAVE POWER	COOKING TIMER PER POUND	COOKING TIMER PER POUND	
<b>Chicken</b> Whole Breast(boned) portions	HI P-80 HI	12 min. 12 min. 11 min.		
<b>Turkey</b> Whole	HI	15 min.		
<b>NOTE:</b> The above times should be regarded only as a guide. Allow for difference in individual tastes and preferences. The times may vary due to the shape and composition of the food.				
FRESH FISH				
ITEM	MICROWAVE POWER	COOKING TIME PER POUND	STANDING TIME	
Fish Fillets	P-HI	7 min.	2-3 min.	
Whole Mackerel, Cleaned and Prepared	P-HI	7 min.	3-4 min.	
Whole Trout, Cleaned and Prepared	P-HI	7 min.	3-4 min.	
Salmon Steaks	P-HI	7 min.	3-4 min.	
<b>VEGETABLE</b>				
ITEM	PREPARATION	QUANTITY	COOKING TIME	STANDING TIME
artichokes, fresh	Whole	4(8 oz. each)	13 min.	5 min.
artichokes, frozen	Hearts	9 oz. pkg	11 min.	5 min.

**VEGETABLE**

ITEM	PREPARATION	QUANTITY	COOKING TIME	STANDING TIME
asparagus, fresh	1/2-in.-pieces	1 lb.	6 min.	3 min.
asparagus, frozen	Whole spears	10 oz. pkg	6 min.	3 min.
broccoli, fresh	Spears	1 lb.	9 min.	-
broccoli, frozen	Whole or cut	10 oz. pkg	9 min.	3 min.
brussels sprouts, fresh	Whole	10 oz. tub	8 min.	-
brussels sprouts, frozen	Whole	10 oz. pkg	9 min.	3 min.
carrots, fresh	1/2-in.-slices	1 lb.	10 min.	3 min.
carrots, frozen	Sliced florets	10 oz. pkg	8 min.	3 min.
cauliflower, frozen	florets	10 oz. pkg	8 min.	3 min.
celery, fresh	1/2-in.-slices	1 lb.	8 min.	5 min.
corn, fresh	on cob, husked	4 ears	11 min.	5 min.
corn, frozen	on cob, husked	4 ears	11 min.	5 min.
eggplant, fresh	whole kernel cubed	10 oz. pkg	9 min.	3 min.
leeks fresh	whole, pierced	1 lb.	9 min.	3 min.
lima beans, frozen	whole, ends	1 lb.	10 min.	5 min.
mixed vegetables frozen	whole	10 oz. pkg	8 min.	5 min.
mushrooms, fresh	-	10 oz. pkg	8 min.	3 min.
okra, frozen	sliced	1 lb.	5 min.	3 min.
onions, fresh	sliced	10 oz. pkg	8 min.	5 min.
pea pods(snow peas), frozen	whole, peeled	8-10 small	13 min.	5 min.
peas and carrots	whole	6 oz. pkg	7 min.	3 min.
parsnips, fresh	-	10 oz. pkg	9 min.	3 min.
potatoes, white or sweet, fresh	cubed	1 lb.	9 min.	5 min.
squash, summer, fresh	whole	4(6 oz. each)	13 min.	3 min.
squash, summer, frozen	whole	8(6 oz. each)	18 min.	5 min.
squash, winter, fresh	1/2-in.-slices	1 lb.	9 min.	3 min.
squash, winter, frozen	sliced	10 oz. pkg	8 min.	3 min.
succotash, frozen	whole, pierced	1 1/2 lbs.	15 min.	5 min.
turnips	whipped	12 oz. pkg	10 min.	3 min.
	-	10 oz. pkg	9 min.	3 min.
	cubed	4 cups	14 min.	3 min.

**REHEATING CHART**

ITEM	QUANTITY	POWER LEVEL	COOKING TIME	SPECIAL INSTRUCTION
Appetizers (bite size)	2 servings	P-HI	4 min.	Heat 12 at time on paper towel lined paper plate or microwave oven roasting rack
Breakfast entrée	4-5 oz.	P-HI	2 min.	If containers is 3/4-inch deep, remove foil cover and replace foil tray in original box.
Entrée	8-9 oz.	P-HI	5 min.	For containers more than 3/4-inch deep, remove food to similar size glass container; heat, covered. If no top crust stir occasionally.
Regular TV-style dinner	21 oz.	P-HI	8 min.	
Hearty TV-style dinner	11 oz.	P-HI	3 min.	
	17 oz.	P-HI	7 min.	

ITEM	QUANTITY	POWER LEVEL	COOKING TIME	SPECIAL INSTRUCTION
Fried chicken	2 pieces	P-HI	5 min.	Arrange, on paper towel lined paper plate, covered with paper towel
	4 pieces	P-HI	6 min.	
	6 pieces	P-HI	7 min.	
Fried fresh fillets	2 fillets	P-HI	3 min.	Arrange on microwave oven roasting rack.
	4 fillets	P-HI	4 min.	
Pizzas	1	P-HI	2 min.	Pierce pouch. Set on plate. Turn over halfway through cooking.
	2	P-HI	3 min.	
	4	P-HI	4 min.	
Pouch dinners	5-6 oz.	P-HI	5 min.	Pierce pouch. Set on plate. Turn over halfway through cooking.
	10-11 oz.	P-HI	9 min.	
Bagels	2	P-50	2 min.	
	4	P-50	3 min.	
Danish	1	P-50	1 min.	Each individually wrapped in paper towel (for 1-2) or arrange on paper plate, cover with paper towel.
	2	P-50	2 min.	
	4(6 oz. pkg) 6(13 oz. pkg)	P-50	3 min. 4 min.	
Dinner rolls	6	P-50	2 min.	
	1(1-1 1/4 oz.)	P-50	1 min.	
Hard rolls	2	P-50	1 1/2 min.	
	4	P-50	2 min.	
	6 oz.	P-50	2 min.	
Frozen Juice Concentrates	6 oz.	P-HI	1 min.	Remove lid. If container is foil lined transfer to a pitcher or open carton. Let stand after defrosting.
	12 oz.	P-HI	2 min.	
Non-Dairy creamer	16 oz.	P-50	10 min.	
	10 oz.	P-50	4 min.	
Frozen vegetables	6 oz.	HI	3 min.	Pierce box, set on plate. If box is foil wrapped, remove foil. If vegetables are in pouch, pierce pouch. Let stand 5 min.
	10 oz.	HI	6 min.	
Cheese cake	17 oz.	P-50	3 min.	Remove from original container. Arrange on a serving plate. Let stand 5 minutes after cooking(to defrost). Add an additional 1-2 minutes to serve warm.
Brownies	13 oz.	P-50	2 min.	
Pound cake	103/4 oz.	P-50	1 min.	
Coffee cake	11-12 oz.	P-50	2 min.	

## WEIGHT & MEASURE CONVERSION CHART

### ■ POUNDS & OUNCES TO GRAMS

POUNDS(lb.)	GRAMS(g)	OUNCES(oz.)	GRAMS(g)	OUNCES(oz.)	GRAMS(g)
1/4	114	1	28	9	255
1/2	227	2	57	10	284
3/4	341	3	85	11	312
1	454	4	113	12	340
2	907	5	142	13	369
3	1361	6	170	14	397
4	1814	7	198	15	425
5	2268	8	227	16	454

### ■ FLUID MEASUREMENTS

1 Cup	= 8 fluid ounces	= 240 ml.
1 Pint	= 16 fluid ounces	= 480 ml.
1 Quart	= 32 fluid ounces	= 960 ml.
1 Gallon	= 128 fluid ounces	= 3840 ml.

### ■ WEIGHT DEFFROST AND COOK CONVERSION CHART

OUNCES	Hundredths of a Pound	Tenths of a Pound	Grams
1-2	.06-.15	0.1	50
3-4	.16-.25	0.2	100
5-6	.26-.35	0.3	150
7	.36-.45	0.4	200
8-9	.46-.55	0.5	250
10-11	.56-.65	0.6	300
12-13	.66-.75	0.7	350
14	.76-.85	0.8	400
15-16	.86-.95	0.9	450

## SPECIFICATIONS

POWER SUPPLY	120V, 20A SINGLE PHASE WITH GROUNDING 60HZ, AC.	
MICROWAVE	POWER CONSUMPTION	1400 W
	OUTPUT POWER	1000 W, FULL MICROWAVE POWER (IEC 705)
	FREQUENCY	2,450 MHZ
OUTSIDE DIMENSIONS	W539 X D406 X H300 mm	
CAVITY DIMENSIONS	W534 X D373 X H228 mm	
CAVITY VOLUME	1.1 Cu. Ft.	
NET WEIGHT	APPROX. 15.5 Kg (34.2 lbs.)	
TIMER	59 MINUTES 99 SECONDS	

## BEFORE YOU CALL FOR SERVICE

Refer to the following checklist, you may prevent an unnecessary service call.

- The oven doesn't work:
  1. Check that the power cord is securely plugged in.
  2. Check that the door is firmly closed.
  3. Check that the cooking time is set.
  4. Check for a blown circuit fuse or tripped main circuit breaker in your house.
- Sparking in the cavity:
  1. Check utensils. Metal containers or dishes with metal trim should not be used.
  2. Check that metal skewers or foil does not touch the interior walls.
- If there is still a problem, contact the service station.

**DO NOT ATTEMPT TO SERVICE THE OVEN YOURSELF!**



TO FIND THE LOCATION AND  
PHONE NUMBER OF YOUR  
NEAREST SERVICE CENTER  
PERMITTED TO PERFORM  
WARRANTY SERVICE...

CALL TOLL FREE: 1-800-695-0098

FOR ADDITIONAL SET-UP OR  
OPERATING ASSISTANCE  
PLEASE CALL:  
1-800-898-9020

FOR CUSTOMER SERVICE, PLEASE WRITE TO:  
Emerson Radio Corp.  
Consumer Affairs Dept.  
1901 DIPLOMAT DRIVE  
FARMERS BRANCH, TX75234

## LIMITED WARRANTY MICROWAVE OVENS

Emerson Radio Corp. warrants this product to be free from manufacturing defects in original material, including original parts, and workmanship under normal use and conditions ("manufacturing defect") for a period of one (1) year from date of original purchase in, and if used in, the United States ("warranty").

Should service be necessary under this warranty, Emerson will provide the following at an Independent Service Center or Regional Repair Facility permitted by Emerson, to perform repairs, provided the manufacturing defect is verified along with the date of purchase:

- \* Repair service for one (1) year from date of original purchase at no charge for labor and parts.
- \* Replacement of a defective magnetron for seven (7) years from date of original purchase (labor not included after initial twelve (12) months)

There are Independent Service Centers and Regional Repair Facilities located throughout the country. For one nearest you, DIAL TOLL FREE: 1-800-695-0098. In the event the product must be mailed to a Regional Repair Facility which is permitted by Emerson to perform repairs:

- \* Pack the unit in a well-padded heavy corrugated box.
- \* Enclose your check or money order payable to the REGIONAL REPAIR FACILITY in the amount of \$15.00 to cover return shipping and handling costs.
- \* Enclose a copy of your proof of purchase (warranty service will not be provided without dated proof of purchase)
- \* Ship the unit prepaid via UPS or parcel post (insured).

NOTE: This warranty does not cover.

- (a) Damage to equipment not properly connected to the product
- (b) Cost incurred in the shipping of the product to and from a Regional Repair Facility permitted by Emerson to perform warranty repairs.
- (c) Damage or improper operation of unit caused by customer abuse, misuse, negligence, or failure to follow operating instructions provided with the product.
- (d) Ordinary adjustments to the product which can be performed by customer as outlined in the owner's manual.
- (e) Signal reception problems caused by external antenna or cable systems.
- (f) Products not purchased in the United States.
- (g) Damage to product if used outside the United States.

THIS WARRANTY IS NON-TRANSFERABLE AND APPLIES ONLY TO THE ORIGINAL PURCHASER AND DOES NOT EXTEND TO SUBSEQUENT OWNERS OF THE PRODUCT. ANY APPLICABLE IMPLIED WARRANTIES, INCLUDING THE WARRANTY OF MERCHANTABILITY, ARE LIMITED IN DURATION TO A PERIOD OF THE EXPRESSED WARRANTY AS PROVIDED HEREIN BEGINNING WITH THE DATE OF ORIGINAL PURCHASE AT RETAIL AND NO WARRANTIES, WHETHER EXPRESSED OR IMPLIED, SHALL APPLY TO THE PRODUCT THEREAFTER. EMERSON MAKES NO WARRANTY AS TO THE FITNESS OF THE PRODUCT FOR ANY PARTICULAR PURPOSE OR USE.

THE EXTENT OF EMERSON RADIO CORP'S LIABILITY UNDER THIS LIMITED WARRANTY IS THE REPAIR OR REPLACEMENT PROVIDED ABOVE AND, IN NO EVENT, SHALL EMERSON RADIO CORP'S LIABILITY EXCEED THE PURCHASE PRICE PAID BY THE PURCHASER OF THE PRODUCT. UNDER NO CIRCUMSTANCES SHALL EMERSON RADIO CORP. BE LIABLE FOR ANY LOSS, DIRECT, INDIRECT, INCIDENTAL, SPECIAL, OR CONSEQUENTIAL DAMAGE ARISING OUT OF OR IN CONNECTION WITH THE USE OF THIS PRODUCT.

THIS WARRANTY IS VALID ONLY IN THE UNITED STATES OF AMERICA. THIS WARRANTY GIVES YOU SPECIFIC LEGAL RIGHTS. HOWEVER, YOU MAY HAVE OTHER RIGHTS WHICH MAY VARY FROM STATE TO STATE. SOME STATES DO NOT ALLOW LIMITATION ON IMPLIED WARRANTIES OR EXCLUSION OF CONSEQUENTIAL DAMAGE. THEREFORE THESE RESTRICTIONS MAY NOT APPLY TO YOU.