



Shown with Quartet front and optional warming shelves in mahogany



Shown with cast iron bi-fold doors open for unobstructed fire view. Firescreen also available

TOPAZ CAST IRON DIRECT VENT GAS STOVE

QUADRA-FIRE[®]
NOTHING BURNS LIKE A QUAD

TOPAZ



Shown in matte black with Solitaire front

Gold door trim for Solitaire front

Our largest cast iron gas burning stove, the Topaz represents a stylish alternative in warming your home. The Topaz is more than just a heating device—it's a piece of art. You have a choice of color and two different fronts. Optional warming shelves with beautiful accent brackets can add to the individuality of your stove. The Topaz is a wonderful way to heat your home and add an artistic touch to any room in your home.

A number of options are available to suit your personal tastes. The unique Quartet front looks great with the doors opened or closed; or choose the cleaner open style of the Solitaire front (matte black only). Select from classic black, porcelain mahogany, or baked enamel sienna bronze or willow to accentuate your décor. Add warming shelves for extra charm and functionality, a blower for improved heat circulation, and even a remote control with a thermostat for convenience. And, with both top and rear direct-venting options, you can install your new Topaz almost anywhere.

Standard Features

- Strength & beauty of cast iron
- Matte black finish
- Top vent (optional rear vent)
- Natural convection heater
- Heats without power
- Bedroom/mobile home approved
- Limited Lifetime Warranty

Options

- Porcelain mahogany finish
- Baked enamel sienna bronze & willow finish
- Solitaire or Quartet fronts (Solitaire in matte black only)
- Decorative firescreen (Quartet only)
- Gold trim (Solitaire only)
- Warming shelves
- Variable speed blower
- Rear vent conversion kit
- Wall thermostat
- Thermostatic remote controls



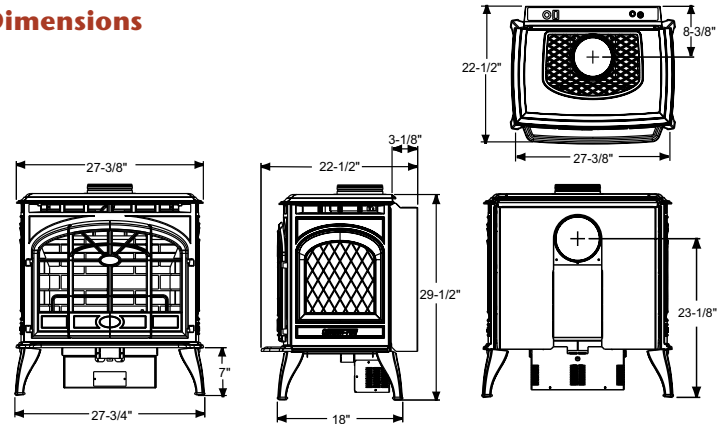
Black

Mahogany

Sienna bronze

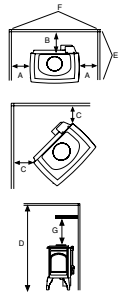
Willow

Dimensions



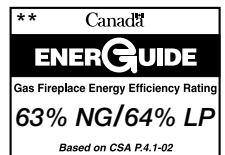
Clearances

- A Side of stove top to side wall..... 6-1/2"
- B Rear of stove top to back wall..... 6"
- C Corner of stove top to side wall..... 1"
- D Minimum alcove height 54"
- E Maximum alcove depth 36"
- F Minimum alcove width 40"
- G Mantle clearance from stove top 23"



Technical & Performance Data

Width	27-3/8"	Flue Size	6-5/8"	
Height	29-1/2"	Standing Pilot Ignition	Yes	
Depth	22-1/2"	Mobile Home Approved ..	Yes	
Weight (quartet front)	275 lbs.	Bedroom Approved	Yes	
Heating Capacity*				up to 2,000 sq. ft.
Btu/Hour Input NG*		26,500 – 39,500 Top Vent		
Btu/Hour Input LP*		30,500 – 38,000 Top Vent		
Efficiency**		up to 85%		
Convection Blower		160 cfm		



The strongest in the industry, Quadra-Fire provides a limited lifetime warranty on gas-burning products for their most important aspects: firebox and heat exchanger.

For full warranty details go to www.quadrafire.com



IMPORTANT - READ BEFORE YOU INSTALL!

Refer to the Owner/Installation Manual for complete clearance requirements and specifications. The images and descriptions in this brochure are provided to assist you in product selection only. *Heating capacity rating and Btus are to be used as a guideline only. Actual performance may differ slightly due to climate, building construction and condition, amount and quality of insulation, location of the heater, and air movement in the room.

Quadra-Fire is a registered trademark of Hearth & Home Technologies. Product specifications and pricing subject to change without notice. The Quadra-Fire Topaz direct vent gas appliance listed to ANSI standard Z21.88a-2000/CSA 2.33a-M00 Vented Gas Fireplace Heaters and applicable sections of UL307b Gas Burning Heating Appliances for Manufactured Homes and Recreational Vehicles, CAN/CBA 2.17-M91 "Gas Fired Appliances for Use at High Altitude," by OMNI-Test Laboratories, Inc., Beaverton, OR.

Available From:



1445 North Highway, Colville, WA 99114
www.quadrafire.com • 800-926-4356
 QDF-1007U-1108