

Attachment Illustrated Parts List



Attachment

Mfg. No. Description
1694496 48" Turbo Collector Legacy XL

Simplicity

MANUFACTURING, INC.
500 N. Spring Street / PO Box 997
Port Washington, WI 53074-0997 USA

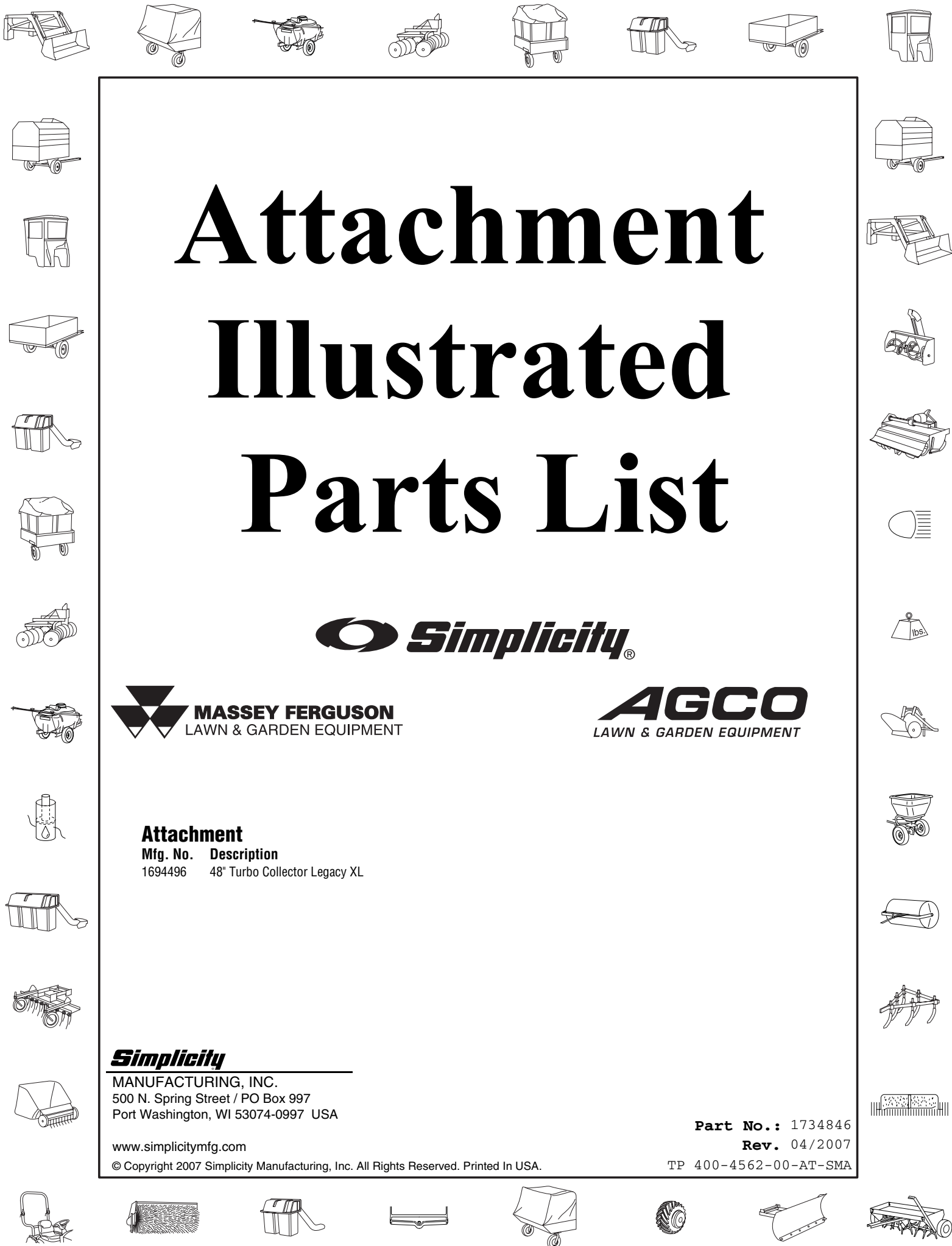
www.simplicitymfg.com

© Copyright 2007 Simplicity Manufacturing, Inc. All Rights Reserved. Printed In USA.

Part No.: 1734846

Rev. 04/2007

TP 400-4562-00-AT-SMA

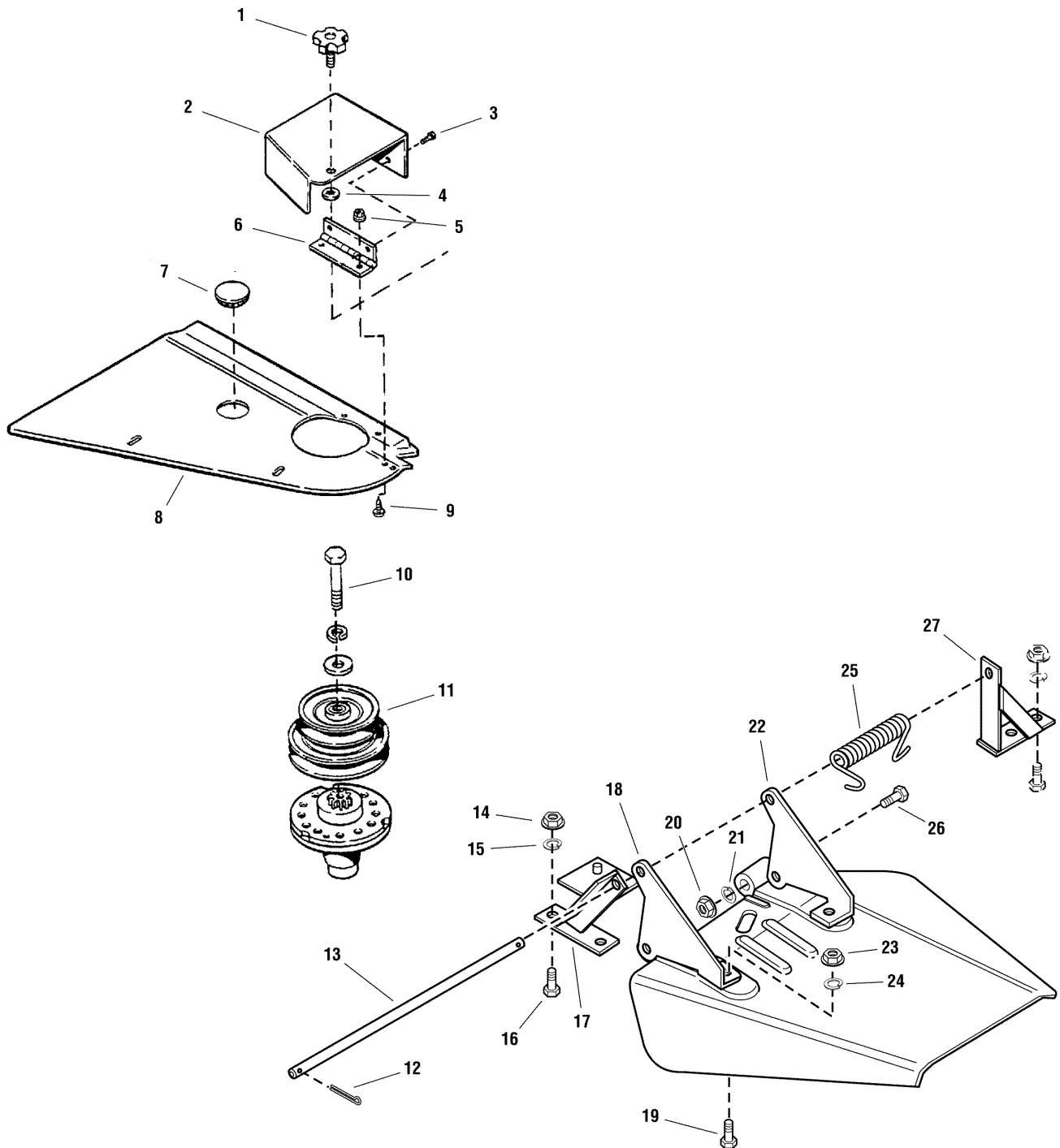


PRODUCT COMPONENTS	PAGES
48" Turbo - Mounting Group	4
48" Turbo - Turbo Blower Assembly	6
Torque Specification Chart	Inside Back Cover

48" Turbo - Mounting Group

986434D2

NOTE: Unless noted otherwise,
use the standard hardware torque
specification chart.



The above parts group applies to the following Mfg. Nos.:
1694496 - 48" Turbo Collector Legacy XL

48" Turbo - Mounting Group

REF NO	PART NO.	QTY.	DESCRIPTION
1	1700669SM	1	KNOB, Plastic
2	1700728SM	1	COVER, Belt (Includes Ref. No. 3 & 6)
3	2828707SM	2	POP-RIVET, 3/16 x 5/16
4	1933988SM	1	NUT, Push, 5/16
5	1928919SM	2	NUT, Hex Flange, #10-32
6	1700649SM	1	HINGE
7	1674020SM	1	PLUG, Mower Cover
8	1700013SM	1	COVER, LH Mower
9	1922121SM	2	SCREW, Rd Hd Machine, #10-32 x 3/8
10	1927120SM	1	CAPSCREW, Hex Hd, 7/16-14 x 2-1/4
11	1679903ASM	1	PULLEY ASSEMBLY
12	1918447SM	2	PIN, Cotter
13	1700853SM	1	ROD, Pivot
14	1916950SM	2	NUT, Hex, 3/8-16
15	1916965SM	2	WASHER, Lock, 3/8
16	1921210SM	2	CAPSCREW, Hex Hd, 3/8-16 x 1
17	1727403SM	1	HINGE ASSEMBLY, Front, 48"
18	1700801ASM	1	BRACKET, LH Pivot
19	1923325SM	2	CAPSCREW, Hex Hd, 5/16-18 x 7/8
20	1918213SM	2	NUT, Hex, 7/16-14
21	1918199SM	2	WASHER, Lock, 7/16
22	1700802ASM	1	BRACKET, RH Pivot
23	1917372SM	4	NUT, Hex, 5/16-18
24	1917356SM	4	WASHER, Lock, 5/16
25	1700851SM	1	SPRING, Torsion
26	1926110SM	2	CAPSCREW, Hex Hd, 7/16-14 x 2-3/4
27	1725998ASM	1	HINGE ASSEMBLY, Rear, 48"

Footnotes

The above parts group applies to the following Mfg. Nos.:

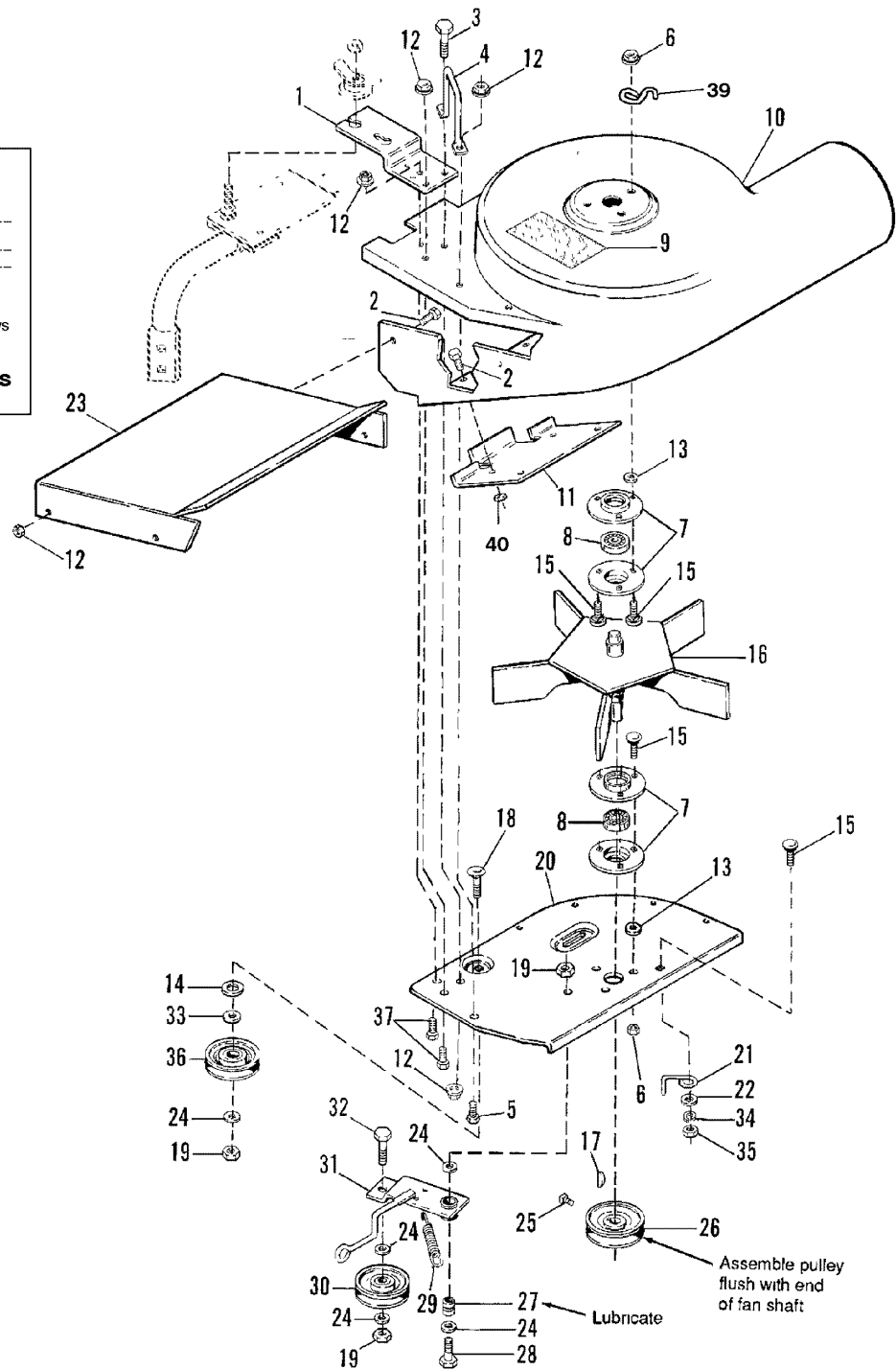
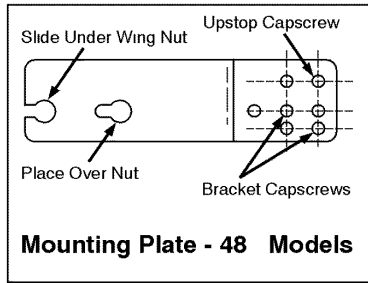
1694496 - 48" Turbo Collector Legacy XL

48" Turbo - Turbo Blower Assembly

986434D1

NOTE: Unless noted otherwise, use the standard hardware torque specification chart.

NOTE: Unless noted otherwise, use the standard hardware torque specification chart.



The above parts group applies to the following Mfg. Nos.:
1694496 - 48" Turbo Collector Legacy XL

48" Turbo - Turbo Blower Assembly

REF NO	PART NO.	QTY.	DESCRIPTION
1	1727404ASM	1	PLATE, Mounting
2	1921959SM	9	CAPSCREW, Hex Hd, 1/4-20 x 5/8
3	1960346SM	1	CAPSCREW, Hex Hd, 1/4-20 x 2-1/4
4	1700936SM	1	STOP, Deflector
5	1924009SM	1	CAPSCREW, Hex Hd, 1/4-20 x 7/8
6	1927557SM	6	NUT, Hex Flange Whiz Lock, 5/16-18
7	1665982ASM	4	RETAINER, Bearing
8	2108202SM	2	BEARING
9	1700259SM	1	DECAL, Danger
10	1706654SM	1	HOUSING, Blower (Incl. Ref. No. 9)
11	1679900SM	1	HOOK, Stone Guard
12	1960608SM	9	NUT, Hex Flange Whiz Lock, 1/4-20
13	1933988SM	6	NUT, Push, 5/16
14	1676435SM	1	WASHER, Plain, 1/2
15	1931333SM	6	CARRIAGE BOLT, 5/16-18 x 3/4
16	1706631ASM	1	FAN ASSEMBLY (5 Blade)
17	2860403SM	1	KEY, Woodruff, 3/16
18	1960268SM	1	CARRIAGE BOLT, 3/8-16 x 1-1/4
19	1928731SM	3	NUT, Hex Jam Lock, 3/8-16
20	1706652ASM	1	PLATE, Shroud
21	2170397SM	1	STOP, Belt
22	1919326SM	1	WASHER, 5/16
23	1702553SM	1	COVER, Top
24	1924940SM	5	WASHER, 3/8
25	1960619SM	2	SETSCREW, Sqr Hd, 5/16-18 x 3/8
26	1706634SM	1	PULLEY, Driven
27	1666114SM	1	SPACER
28	1921969SM	1	CAPSCREW, Hex Hd, 3/8-16 x 1-1/2
29	1679554SM	1	SPRING, Extension
30	2174561SM	1	PULLEY, Idler, Adjustable
31	1701827ASM	1	IDLER ARM ASSEMBLY
32	1921210SM	1	CAPSCREW, Hex Hd, 3/8-16 x 1
33	2157424SM	1	WASHER, 3/8 Special
34	1917356SM	1	WASHER, Lock, 5/16
35	1917372SM	1	NUT, Hex, 5/16-18
36	2154534SM	1	PULLEY, Idler, Fixed
37	1923341SM	2	CAPSCREW, Hex Hd, 1/4-20 x 3/4
39	1672689SM	1	S-HOOK
40	1920397SM	4	NUT, Hex Nylon Lock, 1/4-20

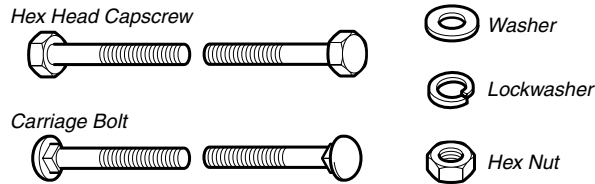
Footnotes

The above parts group applies to the following Mfg. Nos.:

1694496 - 48" Turbo Collector Legacy XL

Hardware Identification & Torque Specifications

Common Hardware Types

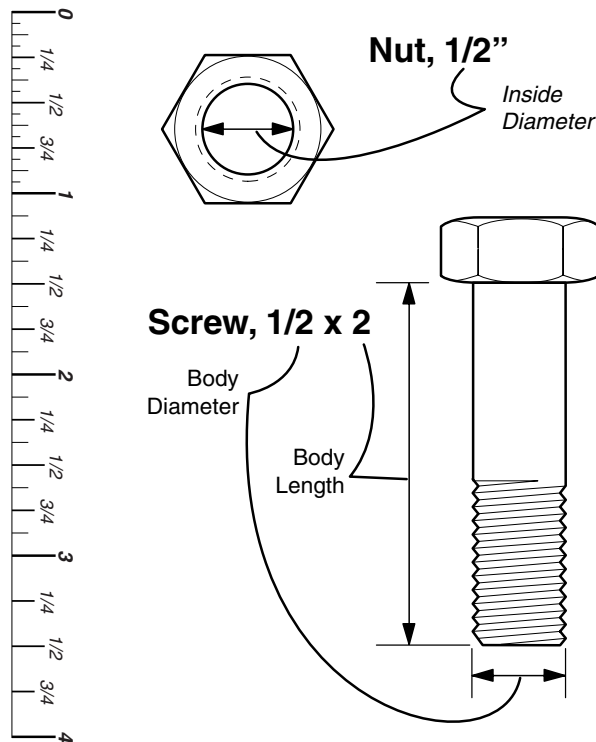


Standard Hardware Sizing

When a washer or nut is identified as **1/2"**, this is the *Nominal size*, meaning the *inside diameter* is 1/2 inch; if a second number is present it represents the *threads per inch*

When bolt or capscrew is identified as **1/2 - 16 x 2"**, this means the *Nominal size*, or *body diameter* is 1/2 inch; the second number represents the *threads per inch* (16 in this example, and the final number is the *body length* of the bolt or screw (in this example 2 inches long).

The guides and ruler furnished below are designed to help you select the appropriate hardware and tools.



Torque Specification Chart						
FOR STANDARD MACHINE HARDWARE (Tolerance $\pm 20\%$)						
Hardware Grade	No Marks SAE Grade 2		SAE Grade 5		SAE Grade 8	
	in/lbs ft/lbs	Nm.	in/lbs ft/lbs	Nm.	in/lbs ft/lbs	Nm.
8-32	19	2.1	30	3.4	41	4.6
8-36	20	2.3	31	3.5	43	4.9
10-24	27	3.1	43	4.9	60	6.8
10-32	31	3.5	49	5.5	68	7.7
1/4-20	66	7.6	8	10.9	12	16.3
1/4-28	76	8.6	10	13.6	14	19.0
5/16-18	11	15.0	17	23.1	25	34.0
5/16-24	12	16.3	19	25.8	27	34.0
3/8-16	20	27.2	30	40.8	45	61.2
3/8-24	23	31.3	35	47.6	50	68.0
7/16-14	30	40.8	50	68.0	70	95.2
7/16-20	35	47.6	55	74.8	80	108.8
1/2-13	50	68.0	75	102.0	110	149.6
1/2-20	55	74.8	90	122.4	120	163.2
9/16-12	65	88.4	110	149.6	150	204.0
9/16-18	75	102.0	120	163.2	170	231.2
5/8-11	90	122.4	150	204.0	220	299.2
5/8-18	100	136	180	244.8	240	326.4
3/4-10	160	217.6	260	353.6	386	525.0
3/4-16	180	244.8	300	408.0	420	571.2
7/8-9	140	190.4	400	544.0	600	816.0
7/8-14	155	210.8	440	598.4	660	897.6
1-8	220	299.2	580	788.8	900	1,244.0
1-12	240	326.4	640	870.4	1,000	1,360.0

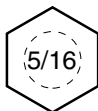
NOTES

- These torque values are to be used for all hardware excluding: locknuts, self-tapping screws, thread forming screws, sheet metal screws and socket head setscrews.
- Recommended seating torque values for locknuts:
 - for prevailing torque locknuts - use 65% of grade 5 torques.
 - for flange whizlock nuts and screws - use 135% of grade 5 torques.
- Unless otherwise noted on assembly drawings, all torque values must meet this specification.

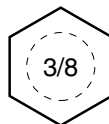
Wrench & Fastener Size Guide



1/4" Bolt or Nut
Wrench—7/16"



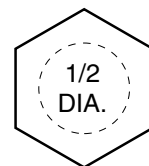
5/16" Bolt or Nut
Wrench—1/2"



3/8" Bolt or Nut
Wrench—9/16"



7/16" Bolt or Nut
Wrench (Bolt)—5/8"
Wrench (Nut)—11/16"



1/2" Bolt or Nut
Wrench—3/4"

