

115 D

Extractor Hood

Installation and Operating Instructions

Contents

Introduction	3
Extractor version	3
Recirculating mode	4
Electrical connections	5
Safety warnings for electrician	5
Specifications	8
Installation	9
Safety warnings for kitchen unit installer	9
Wall unit mounting	10
Wall mounting	11
Hood operation	12
Safety warnings for user	12
Maintenance and care	13
Opening the grille	13
Grease filter	13
carbon filter	13
Changing the light bulb	14
Cleaning	15
Special Accessories	15
Technical Assistance Service	16



Printed on recycled paper.
AEG – putting words into action.

Introduction

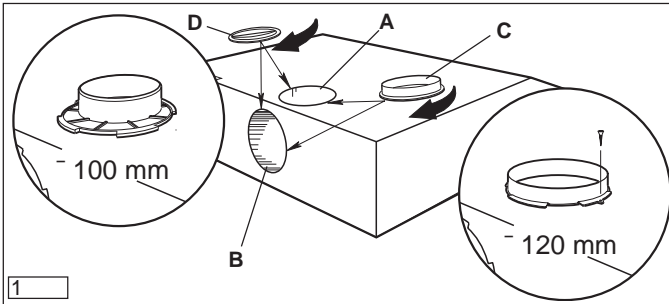
The hood is supplied as an extractor unit and can also be used with a filtering function by fitting activated carbon filters (special accessory).

Extractor version

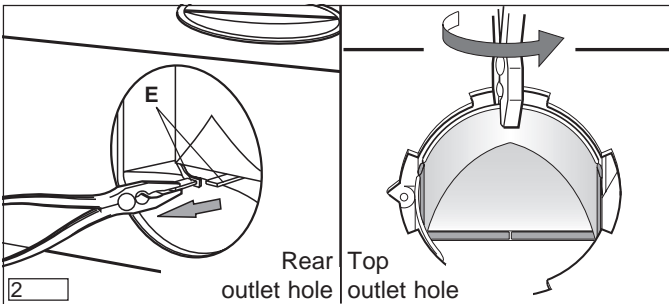
The unit features two outlet holes, one of which **A** is located on the top of the unit while the other **B** is located on the rear.

To connect up the hose, you should first fit the bayonet-mounting flange **C** (100 or 120 mm) on the outlet required (if using the top outlet, fix the flange in place using the screw supplied as shown in **Fig. 1**).

Close off the unused hole using the bayonet-fitting caps **D**.



If using the rear hole, open the air passage by removing the partition (**E** — **Fig. 2**)

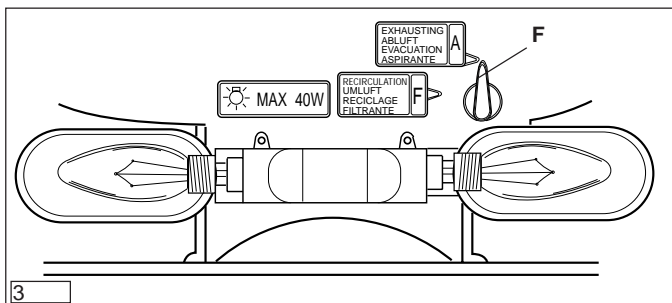


Move the lever **F** to position **A** — **Fig. 3**.

When connecting up the hood using a telescopic wall pipe, you should use a non-flammable outlet hose No. E 647 000 012 or 647 000 010 (120 mm Ø or 100 mm Ø) from our range of special accessories.

The air is filtered and recirculated through the front grille.

Move the handle **F** to position **F** — **Fig. 3**.



You will need an original AEG KLF60/80 activated carbon filter for the recirculating mode. (See special accessories).

Summer/winter operation changeover

To avoid unnecessary outdoor transport of thermal energy during exhaust air operation in winter, we recommend you to convert the fume extractor hood to winter operation (return air). The covering foil over the return air slots is to be removed.

You also need an active carbon filter (special accessory).

When outdoor temperatures become warmer (spring), the active carbon filter is removed again and the fume extractor hood reset to exhaust air operation as per installation sequence. The return air slots on the upper side of the appliance are to be sealed e.g. with self-adhesive aluminium foil. See also for exhaust air operation installation.

Recirculating mode

Electrical connections

Voltage and current

Please ensure that the voltage and current indicated on the rating plate agree with the voltage of your electricity supply.

If your appliance has been equipped with a mains lead with a moulded-on type plug, you must comply with the following regulations:

The plug moulded on to the lead incorporates a fuse. For replacement, use a 5 amp BS1362 fuse. Only ASTA approved or certified fuses should be used. If the fuse cover/carrier is lost, a replacement cover/carrier must be obtained from an electrical goods retailer. If the socket outlets in your home are not suitable for the plug fitted to the appliance, then the plug must be cut off and destroyed for safety reasons, and an appropriate plug fitted.

Important

When wiring the plug ensure that all strands of wire are securely retained in each terminal. Do not forget to tighten the mains lead clamp on the plug.

This unit is screened against radio interference in compliance with European Community directives 87/308 EEC, EN 55014/ DIN VDE 0875 Part 1.

Electrical connections

230 V - using fixed power supply line with plug.

240 V - using fixed power supply line (Great Britain).

Fuse rating 13 amps

(The unit should only be connected up by an authorized electrician).

See rating plate for further information.

It is recommended that the socket for the plug is sited above the cooker hood or above the overhead cabinet.

This has 2 advantages:

- 1) The socket is not visible.
- 2) The appliance can easily be unplugged when necessary.

If a fixed connection is required the cooker hood should be connected by an electrical installer registered with a competent electricity company. An isolating device is to be provided on the fixed wiring side. Switches with a contact opening of more than 3mm apply as isolating devices.

These include-automatic cut-out switches, fuses and contactors (VDE 0730, s. 7, Part1).

Appliances with 2 wires

Your appliance must be connected to fixed wiring via the use of a double pole switched fused spur outlet with or without pilot lamp.

We strongly recommend the appliance is connected by a qualified electrician who is a member of the NICEIC who will comply with the IEE and any local regulations.

NOTE:

The terminology "DOUBLE POLE" means that both the live and neutral supplies are switched and disconnected at the same time.

The terminations labelled SUPPLY are for the connection for the internal house wiring and the terminations labelled LOAD are for the appliance.

IMPORTANT

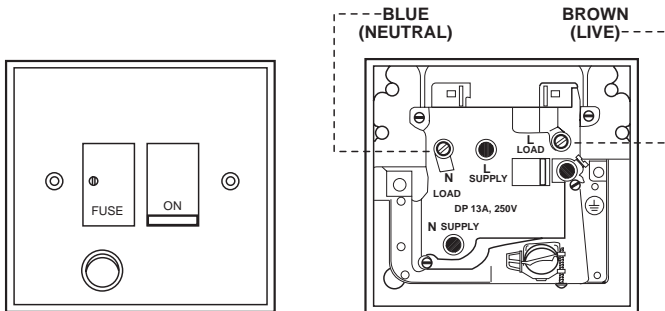
The wires of the mains lead supplied with this appliance are coloured in accordance with the following code:

Blue-Neutral

Brown-Live

As the colours of the flexible cord of this appliance may not correspond with the coloured markings identifying the terminals in your plug, proceed as follows: The wire which is coloured brown must be connected to the terminal which is marked with the letter L or coloured red.

The wire which is coloured blue must be connected to the terminal which is marked with the letter N or coloured black.



Appliances with 3 wires

Your appliance must be connected to fixed wiring via the use of a double pole switched fused spur outlet with or without pilot lamp.

We strongly recommend the appliance is connected by a qualified electrician who is a member of the NICEIC who will comply with the IEE and any local regulations.

NOTE: The terminology “DOUBLE POLE” means that both the live and neutral supplies are switched and disconnected at the same time.

The terminations labelled SUPPLY are for the connection for the internal house wiring and the terminations labelled LOAD are for the appliance.

WARNING: THIS APPLIANCE MUST BE EARTHED

IMPORTANT

The wires in this mains lead are coloured in accordance with the following code:

Green/Yellow - Earth

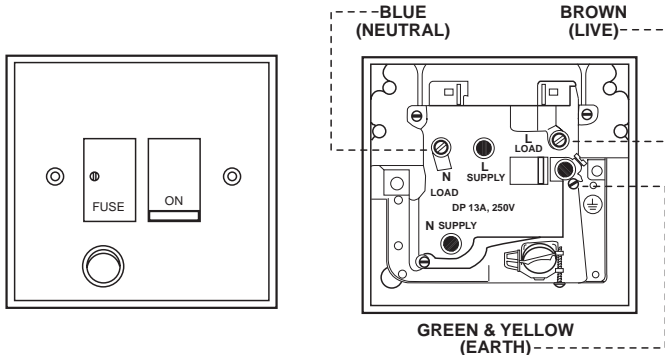
Blue - Neutral

Brown - Live

As the colours of the wires in the mains lead of this appliance may not correspond with the coloured markings identifying the terminate in your spur box, proceed as follows:

The wire which is coloured green and yellow must be connected to the terminal which is marked with the letter “E” or by the earth symbol \perp or coloured green or green and yellow. The wire which is coloured blue must be connected to the terminal which is marked with the letter “N” or coloured black.

The wire which is coloured brown must be connected to the terminal which is marked with the letter “L” or coloured red.



Specifications

Dimensions:

Height	Width	Depth (in mm)
152	599	505

Weight:

Net:	8.7 Kg
Gross:	9.6 Kg

Length of the cable: 140 cm

Maximum absorbed power: 230 W

Motor absorption: 1 x 150 W

Lighting: 2 x 40 W

Fan powers (levels), levels in compliance with DIN 44971

Level:	Min.	Max.	Intensive
Extractor:	116 m ³ /h	175 m ³ /h	265 m ³ /h
Filter:	60 m ³ /h	14.5 m ³ /h	175 m ³ /h

Extractor system: 100 and 120 mm Ø

**Safety
warnings for
kitchen unit
installer**

Installation

When used as an extractor unit, the hood must be fitted with a 100 or 120 mm diameter hose.

If the outlet hose is installed in a horizontal position, it must be slanted at an angle of 10° so that the air can flow outside without impediment.

When installing the hood, make sure you respect the following minimum distance from the top edge of the cooking hob/ring surfaces:

electric cookers	650 mm
gas cookers	650 mm
coal and oil cookers	700 mm min.

The air outlet must not be connected to chimney flues or combustion gas ducts. The air outlet must under no circumstances be connected to ventilation ducts for rooms in which fuel-burning appliances are installed.

It is advisable to apply for authorization from the relevant controlling authority when connecting the outlet to an unused chimney flue or combustion gas duct.

The air outlet installation must comply with the regulations laid down by the relevant authorities.

When the unit is used in its extractor version, a sufficiently large ventilation hole must be provided, with dimensions that are approximately the same as the outlet hole.

National and regional building regulations impose a number of restrictions on using hoods and fuel-burning appliances connected to a chimney, such as coal or oil room-heaters and gas fires, in the same room.

Hoods can only be used safely with appliances connected to a chimney if the room and/or flat (air/environment combination) is ventilated from outside using a suitable ventilation hole approximately 500-600 cm² large to avoid the possibility of a depression being created during operation of the hood. If you have any doubts, contact the relevant controlling authority or building inspector's office.

Where flexible ducting is fitted the length should be no more than:

- 3 metres with one 90° bend
- 2 metres with two 90° bends.

Bends of more than 90° will reduce the efficiency of the hood and reduce the air flow.

Since the rule for rooms with fuel burning appliances is “outlet hole of the same size as the ventilation hole”, a hole of 500-600 cm², which is to say a larger hole, could reduce the performance of the extractor hood.

If the hood is used in its recirculating mode, it will operate simply and safely in the above conditions without the need for any of the aforementioned measures.

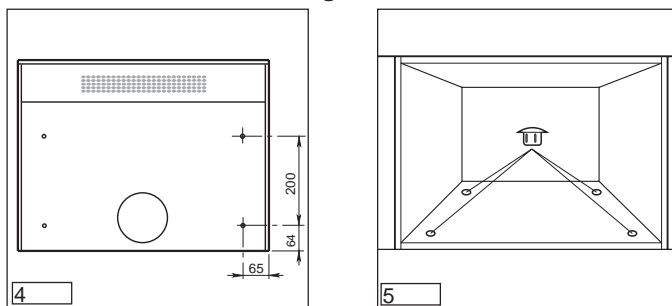
When the hood is used in its extractor function, the following rules must be followed to obtain optimal operation:

- short and straight outlet hose
- keep bends in outlet hose to a minimum
- never install the hoses with an acute angle, they must always follow a gentle curve only
- keep the hose as large as possible (100 or 120 mm Ø min.).

Failure to observe these basic rules will drastically reduce the performance and increase the noise levels of the extractor hood.

- Drill four 6 mm Ø holes in the base of the wall unit using the template supplied.
- Mount the hood unit on the base of the wall unit using four 4.2 x 35 mm screws. — **Fig.4**

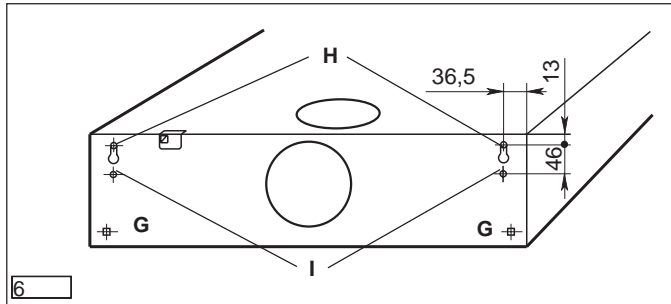
Wall unit mounting



If using an interchangeable model, fit the plastic caps supplied in any unused mounting holes. — **Fig. 5**

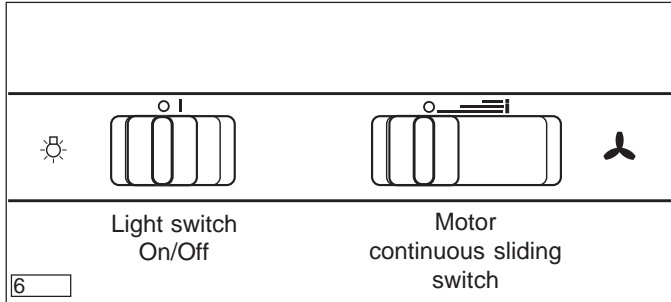
Wall mounting

- Position the template on the wall.
- Drill four 8 mm \varnothing holes in the wall, 2 in points **H** and 2 in points **I**.
- Fit the four 8 mm screw anchor plugs in the wall.
- Screw two 5 x 45 mm screws in points **H** but do not tighten them fully home.
- Adjust the unit so that it is positioned at a right angle to the wall by turning the two support screws **G**.
- Now hang the hood on the wall (holes **H**). Tighten the first two screws and, for safety's sake, screw the other two 5 x 45 mm screws into the holes in the hood. — **Fig. 6**



Hood Operation

The hood is fitted with a variable speed motor. The most effective use of the hood is obtained by switching it on a few minutes before you start cooking and leaving it on a for approximately 15 minutes after you have finished, thus ensuring all cooking odours are eliminated. The control switches are located on the unit's front panel: the **light switch** switches the hood lamp on and off; the **motor switch** switches the cooking smoke and vapour extractor motor on and off, enabling you to select one of the four different speeds.



Never leave a cooking hob or ring on without a pot or pan on top of it, to avoid the possibility of excess heat damaging the unit. Gas, oil or coal cooker flames in particular should never be left uncovered.

Special care should be taken when using deep fat fryers since the oil in them can overheat and burst into flames.

The risk of a fat fire increases when using dirty oil.

It is extremely important to note that overheating can cause a fire.

Never carry out any flambé cooking under the hood.

Always disconnect the unit from the power supply before carrying out any work on the hood, including replacing the light bulb (take the cartridge fuse out of the fuse holder or switch off the automatic circuit breaker).

It is very important to clean the hood and replace the filter at the recommended intervals. Failure to do so could cause grease deposits to build up, causing a fire hazard.

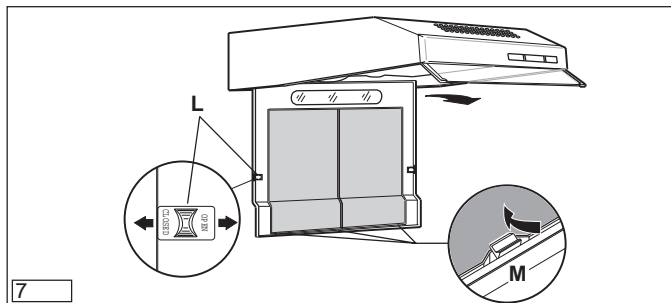
**Safety
warnings
for user**

Maintenance and care

The hood must always be disconnected from the mains power supply before beginning any maintenance work.

Opening the grille

- Open the latch **L** and swing the grille downwards. — **Fig. 7.**
- To remove the grille, pull it forwards from the right and release it.



Grease filter

The metal grease filter has been designed to absorb the grease particles that are formed during cooking and is always used, irrespective of whether the hood is set up for extractor or filter operation.

The metal grease filter is positioned on the inside of its related support grille.

Leave the metal grease filter panel to soak for approximately 1 hour in very hot water with grease-dissolving detergent and then rinse it with very hot water. Repeat the operation if necessary. Load the grease filter panel in a dishwasher, selecting the most intensive washing programme and maximum temperature, at least 65½C. Repeat the operation if necessary.

The grille should be cleaned with luke warm water and non-abrasive detergent when you change the filter.

The grease filter can be ordered from AEG service.

Open the grille and push on the stops **M** to take out the filter. See **Fig. 7.**

Carbon filter

The activated carbon filter should only be used if you want to use the hood in its recirculating mode.

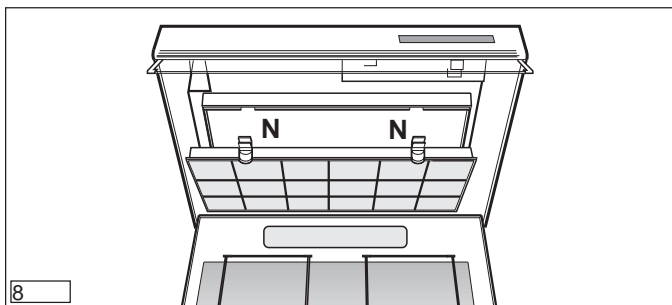
To do this you will need an original AEG activated carbon filter (see special accessories).

This filter cannot be cleaned or reused.

As a general rule, the activated carbon filter should be

Removing the filter

- Press the stops **N** and remove the **filter** by pulling it downwards. — **Fig. 8**



Always specify the hood model code number and serial number when ordering replacement filters. This information is shown on the registration plate located on the inside of the unit.

The activated carbon filter can be ordered from AEG service.

Failure to observe the instructions on cleaning the unit and changing the filters will cause a fire hazard. You are therefore strongly recommended to follow these instructions.

- Disconnect the unit from the mains power supply.
- Remove my cover
- Replace the old light bulb with a new light bulb (40 W max.).
- If the light does not come on, make sure the bulb has been screwed in correctly before contacting the AEG service.

Warning

Changing the light bulb

Cleaning

Warning: always disconnect the hood from the mains power supply before cleaning it.

Never insert pointed objects in the motor's protective grille.

Wash the outside surfaces using a delicate detergent solution. Never use caustic detergents or abrasive brushes or powders.

Only ever clean the switch panel and filter grille using a damp cloth and delicate detergents.

It is extremely important to clean the unit and change the filters at the recommended intervals. Failure to do so will cause grease deposits to build up that could constitute a fire hazard.

Special accessories

Wall box (Ø 120mm)	E-Nr.647 000 016
Wall box (Ø 100mm)	647 000 020
120 mm outlet hose	647 000 012
100 mm outlet hose	647 000 010
Synthetic grease filter	660 951 157
KLF60/80 activated carbon filter	610 899 421

Technical assistance service

In case of any enquiries and faults, please call AEG After-Sales Service:

AEG Domestic Appliances Limited

Head Office:

217 Bath Road
Slough, Berks SL1 4AW
Tel: 01753 872506
Telefax: 01753 512271

AEG Northern Service Centre:

Unit 20, Haigh Park
Haigh Avenue
Stockport
GL Manchester SK4 1QR
Tel: 0161 487 2205
Telefax: 0161 474 1191

AEG Scottish Service Centre:

Block 11, Unit 1
Dundyvan Industrial Estate
Coatbridge
Lanarkshire ML5 4AQ
Tel: 01236 440387
Telefax: 01236 440256

Service Appointments

Bristol: 01179 252880
Norfolk: 01603 765515

When calling please state the following

1. The model number
2. The E-No.
3. The F-No.

The manufacturer reserves the right to make alterations in design and colour in the interests of technical development without prior notice.

If your appliance has a fault, please contact our service engineer
and state the following numbers:

E-Nr. 610

F-Nr.

AEG Hausgeräte AG
Postfach 1036
D-90327 Nürnberg

© Copyright by AEG
H 260 287 140

L 489B Ed. 05/95

159/95