



# Home Comfort

FRA126CT1

## Compact Air Conditioner



### Signature Features

#### Effortless™ Remote Temperature Control

A thermostat located on your air conditioner's remote control precisely maintains preset room temperature, so you will remain comfortable at all times.

#### Remote Control

Allows you to precisely control the temperature and fan speed from across the room.

#### Ready-Select® Controls

Easily select options with the touch of a button.

#### Effortless™ Clean Filter

Our antibacterial filter reduces bacteria, room odors and other airborne particles for a cool, comfortable environment.

### Product Dimensions

|        |         |
|--------|---------|
| Height | 14-2/5" |
| Width  | 19"     |
| Depth  | 21-1/2" |

### More Easy-To-Use Features

#### Energy and Cost Savings

The unit operates at a low voltage – conserving energy and saving you money.

#### Multi-Speed Fan

Features three different fan speeds, for more cooling flexibility.

#### Sleep Mode

Quiet operation keeps you cool without keeping you awake. Plus, Sleep Mode gradually increases room temperature after being activated.

#### Quickly Cools

Quickly cool a room on hot days.

#### Comfort Control Design

Easily control the direction of your cool air, wherever your unit is.

#### Effortless™ Restart

Automatically resumes operating at its previous settings when power is restored to your unit.

#### Clean Filter Alert

Notifies you when your filter needs to be cleaned.

#### Power Cord

Comes with an extra long three-prong cord that makes extension cords unnecessary.

#### SpaceWise® Adjustable Design Optional Side Panels

Extend so you can adjust your unit to fit your window.

#### 24-Hour On/Off Timer

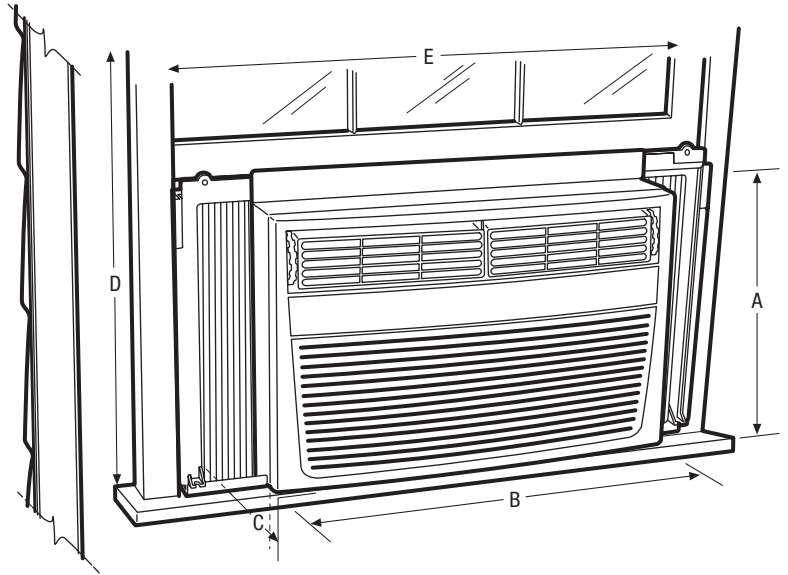
Keep things cool on your schedule.

ENERGY STAR®

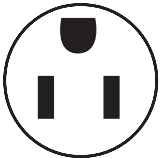


| Performance | BTUs   |
|-------------|--------|
| Cool        | 12,000 |

|                                   |                             |
|-----------------------------------|-----------------------------|
| <b>Performance</b>                |                             |
| BTU (Cool)                        | 12,000                      |
| Dehumidification (Pints/Hour)     | 3.8                         |
| Cool Area (Sq. Ft.)               | 640                         |
| Energy Efficiency Ratio           | 10.8                        |
| <b>Electrical</b>                 |                             |
| Volts                             | 115                         |
| Amps (Cool)                       | 10.2                        |
| Watts (Cool)                      | 1,110                       |
| Length of Power Cord (Min./Max.)  | 6' / 6.5'                   |
| Plug Type (NEMA)                  | LCDI (5-15P)                |
| <b>Features</b>                   |                             |
| Electronic Controls               | Ready-Select® Controls      |
| Fan Speeds (Cool / Fan)           | 3 / 3                       |
| Low Voltage Start-Up              | Yes                         |
| Auto Cool Function                | Yes                         |
| Energy Save                       | Yes                         |
| Sleep Mode                        | Yes                         |
| Filter Check                      | Yes                         |
| 24-Hour On / Off Timer            | Yes                         |
| Clean Air Ionizer                 | Yes                         |
| Remote Control                    | Full-Function Remote T'Stat |
| Air CFM (High / Med / Low)        | 264 / 242 / 202             |
| Air Direction Control             | 8-Way                       |
| Fresh Air / Exhaust Vent / Closed | Yes / Yes / Yes             |
| Filter Type                       | Antibacterial Mesh          |
| Filter Access                     | Tilt-Out                    |
| Slide-Out Chassis                 |                             |
| Window Mounting Kit (Included)    | Pleated Quick Mount         |
| Warranty <sup>1</sup>             | Yes                         |
| <b>Certifications</b>             |                             |
| ENERGY STAR®                      | Yes                         |
| Performance                       | AHAM                        |
| <b>Specifications</b>             |                             |
| Refrigerant                       | R410a                       |
| Shipping Weight (Approx.)         | 76 Lbs.                     |



<sup>1</sup>Warranty 5 year sealed system / 1 year full parts and labor.



Plug Type (NEMA)  
5-15P

NOTE: For planning purposes only. Always consult local and national electric codes. Refer to Product Installation Guide for detailed installation instructions on the web at [frigidaire.com](http://frigidaire.com).



| Product Dimensions |         | Window Dimensions     |           |
|--------------------|---------|-----------------------|-----------|
| A - Height         | 14-2/5" | D - Height (Min.)     | 15-1/2"   |
| B - Width          | 19"     | E - Width (Min./Max.) | 23" / 36" |
| C - Depth          | 21-1/2" |                       |           |

Accessories information available on the web at [frigidaire.com](http://frigidaire.com)

FRIGIDAIRE

USA • 10200 David Taylor Drive • Charlotte, NC 28262 • 1-800-FRIGIDAIRE • [frigidaire.com](http://frigidaire.com)  
CANADA • 5855 Terry Fox Way • Mississauga, ON L5V 3E4 • 1-800-265-8352 • [frigidaire.ca](http://frigidaire.ca)  
FRA126CT1 04/11

© 2011 Electrolux Home Products, Inc.

Specifications subject to change.  
Printed in the U.S.A.