

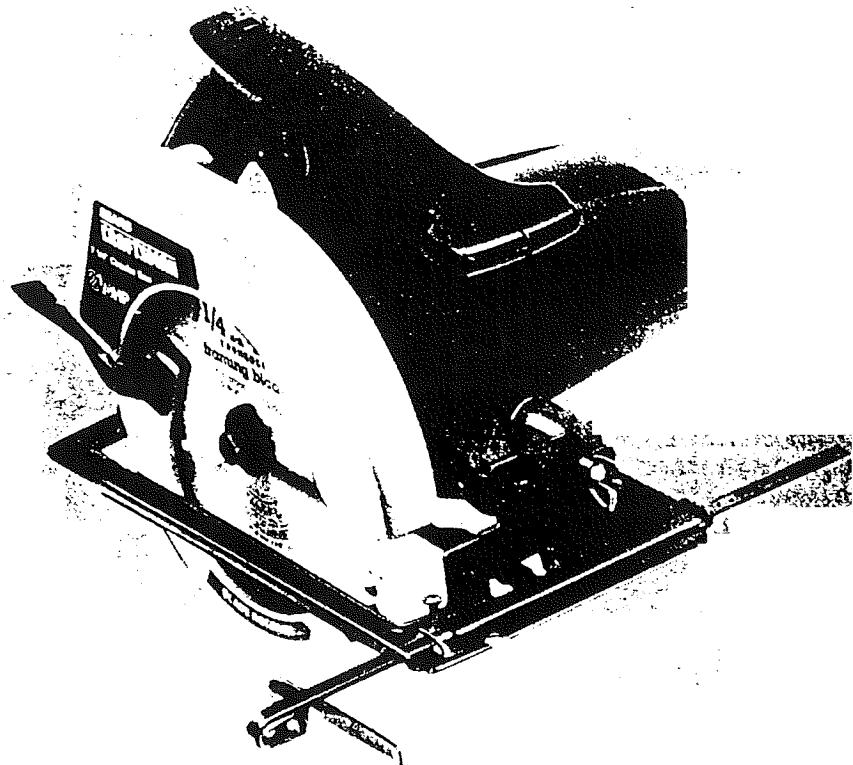
**SEARS**

OWNERS  
MANUAL

MODEL NO.  
315.109240

**CAUTION:**  
Read Rules for  
Safe Operation  
and Instructions  
Carefully

SAVE THIS  
MANUAL FOR  
FUTURE REFERENCE



**CRAFTSMAN<sup>®</sup>**

7-1/4 INCH CIRCULAR SAW  
DOUBLE INSULATED

Introduction  
Operation  
Maintenance  
Repair Parts



Designed exclusively for and sold only by  
SEARS, ROEBUCK AND CO., Dept. 698/731A, Sears Tower, Chicago, IL 60684

## **FULL ONE YEAR WARRANTY ON CRAFTSMAN CIRCULAR SAW**

If this Craftsman Circular Saw fails to give complete satisfaction within one year from the date of purchase, **RETURN IT TO THE NEAREST SEARS STORE THROUGHOUT THE UNITED STATES** and Sears will repair it, free of charge.

If this circular saw is used for commercial or rental purposes this warranty applies for only 90 days from the date of purchase.

This warranty gives you specific legal rights, and you may also have other rights which vary from state to state.

SEARS, ROEBUCK AND CO.  
DEPT. 698/731A  
SEARS TOWER  
CHICAGO, IL 60684

## **INTRODUCTION**

**DOUBLE INSULATION** is a concept in safety, in electric power tools, which eliminates the need for the usual three wire grounded power cord and grounded supply system. Wherever there is electric current in the tool there are two complete sets of insulation to protect the user. All exposed metal parts are isolated from the internal metal motor components with protecting insulation.

**IMPORTANT** — Servicing of a tool with double insulation requires extreme care and knowledge of the system and should be performed only by a qualified service technician. For service we suggest you return the tool to your nearest Sears Store for repair. Always use original factory replacement parts when servicing.

## **RULES FOR SAFE OPERATION**

**▲ WARNING — DO NOT ATTEMPT TO OPERATE THIS TOOL UNTIL YOU HAVE READ THOROUGHLY AND UNDERSTAND COMPLETELY ALL INSTRUCTIONS, SAFETY RULES, ETC. CONTAINED IN THIS MANUAL. FAILURE TO COMPLY CAN RESULT IN ACCIDENTS INVOLVING FIRE, ELECTRIC SHOCK, OR SERIOUS PERSONAL INJURY. SAVE OWNERS MANUAL AND REVIEW FREQUENTLY FOR CONTINUING SAFE OPERATION. AND INSTRUCTING POSSIBLE THIRD-PARTY USER.**

### **READ ALL INSTRUCTIONS**

1. **KNOW YOUR POWER TOOL** — Read owner's manual carefully. Learn its applications and limitations as well as the specific potential hazards related to this tool.
2. **GUARD AGAINST ELECTRICAL SHOCK BY PREVENTING BODY CONTACT WITH GROUNDED SURFACES.** For example: Pipes, radiators, ranges, refrigerator enclosures.
3. **KEEP GUARDS IN PLACE** and in working order. Never wedge or tie lower blade guard open. Check operation of lower blade guard before each use. Do not use if lower blade guard does not close briskly over saw blade. **WARNING: IF SAW IS DROPPED, LOWER BLADE GUARD MAY BE BENT, RESTRICTING FULL RETURN.** If lower blade guard becomes bent or damaged, replace it before reuse.
4. **KEEP WORK AREA CLEAN.** Cluttered areas and benches invite accidents.
5. **AVOID DANGEROUS ENVIRONMENT.** Don't use power tool in damp or wet locations or expose to rain. Keep work area well lit.
6. **KEEP CHILDREN AWAY.** All visitors should wear safety glasses and be kept a safe distance from work area. Do not let visitors contact tool or extension cord.
7. **STORE IDLE TOOLS.** When not in use, tools should be stored in a dry, high or locked-up place — out of the reach of children.
8. **DON'T FORCE TOOL.** It will do the job better and safer at the rate for which it was designed.

heavy  
use a

moving  
doors.

mask if

at from

ded to

not use

or best  
anging

anging  
d.

to see  
it on.  
ger on

only ex-  
marked

ng- and

des. Do  
ove cut  
**NOFF.**  
motor

at your

Always  
roleum-

Do not

ner part  
operate  
moving  
ner con-  
amaged  
r.  
a defec-

**IMPORT**  
ation re-  
d on the

## RULES FOR SAFE OPERATION (Continued)

31. **WARNING: ALWAYS RAISE THE LOWER BLADE GUARD WITH THE HANDLE TO AVOID SERIOUS INJURY.** See Figure 14, Page 10.
32. **GUARD AGAINST KICKBACK.** See Pages 7 and 8.
33. **BEFORE MAKING A CUT, BE SURE THE DEPTH AND BEVEL ADJUSTMENTS ARE TIGHT.**
34. **DO NOT USE BLADES WITH INCORRECT SIZE HOLES.** Never use blade washers or bolts that are defective or incorrect. The maximum blade capacity of your saw is 7-1/4" diameter.
35. Inspect for and remove all nails from lumber before cutting.
36. **DRUGS, ALCOHOL, MEDICATION.** Do not operate tool while under the influence of drugs, alcohol, or any medication.
37. **WEAR HEARING PROTECTION DURING EXTENDED PERIODS OF OPERATION.**
38. **SAVE THESE INSTRUCTIONS.** Refer to them frequently and use them to instruct third party users. If you loan someone this tool, loan them these instructions also.

### ▲CAUTION



The operation of any Circular Saw can result in foreign objects being thrown into the eyes, which can result in severe eye damage. Always wear safety glasses or eye shields before commencing power tool operation. We recommend Wide Vision Safety Mask for use over spectacles or standard safety glasses, available at Sears Catalog Order or Retail Stores.

### EXTENSION CORD

The use of any Extension Cord will cause some loss of power. To keep the loss to a minimum and to prevent tool overheating follow the recommended cord sizes on the chart at the right. Extension cords suitable for use with your circular saw are available at your nearest Sears Catalog Order or Retail Store.

Extension Cord Length	Wire Size, A.W.G.
25-50 Ft.	16
50-100 Ft.	14

**▲WARNING: CHECK EXTENSION CORDS BEFORE EACH USE. IF DAMAGED, REPLACE IMMEDIATELY. NEVER USE TOOL WITH A DAMAGED CORD SINCE TOUCHING THE DAMAGED AREA COULD CAUSE ELECTRICAL SHOCK RESULTING IN SERIOUS INJURY.**

### SAW BLADES

The best of saw blades will not cut efficiently if they are not kept clean, sharp, and properly set. Using a dull blade will place a heavy load on your saw and increase the danger of kickback. Keep extra blades on hand, so that sharp blades are always available.

Gum and wood pitch hardened on blade will slow it down. Use gum and pitch remover Cat. No. 9-49191, hot water, or kerosene to remove these accumulations. **DO NOT USE GASOLINE.**

**LUBRICATION** — All of the bearings in this tool are lubricated with a sufficient amount of high grade lubricant for the life of the unit under normal operating conditions, therefore, no further lubrication is required.

# OPERATION

**▲WARNING: YOUR SAW SHOULD NEVER BE CONNECTED TO POWER SUPPLY WHEN YOU ARE ASSEMBLING PARTS, MAKING ADJUSTMENTS, ASSEMBLING OR REMOVING BLADES, OR WHEN NOT IN USE. UNPLUGGING YOUR SAW WILL PREVENT ACCIDENTAL STARTING THAT COULD CAUSE SERIOUS INJURY.**

**▲WARNING: DO NOT ALLOW FAMILIARITY WITH YOUR SAW TO MAKE YOU CARELESS. REMEMBER THAT A CARELESS FRACTION OF A SECOND IS SUFFICIENT TO INFLICT SEVERE INJURY.**

## FEATURES

Features include easily operated bevel cut and depth of cut adjustment mechanisms; directed air flow for keeping line of cut clear; and blade wrench storage.

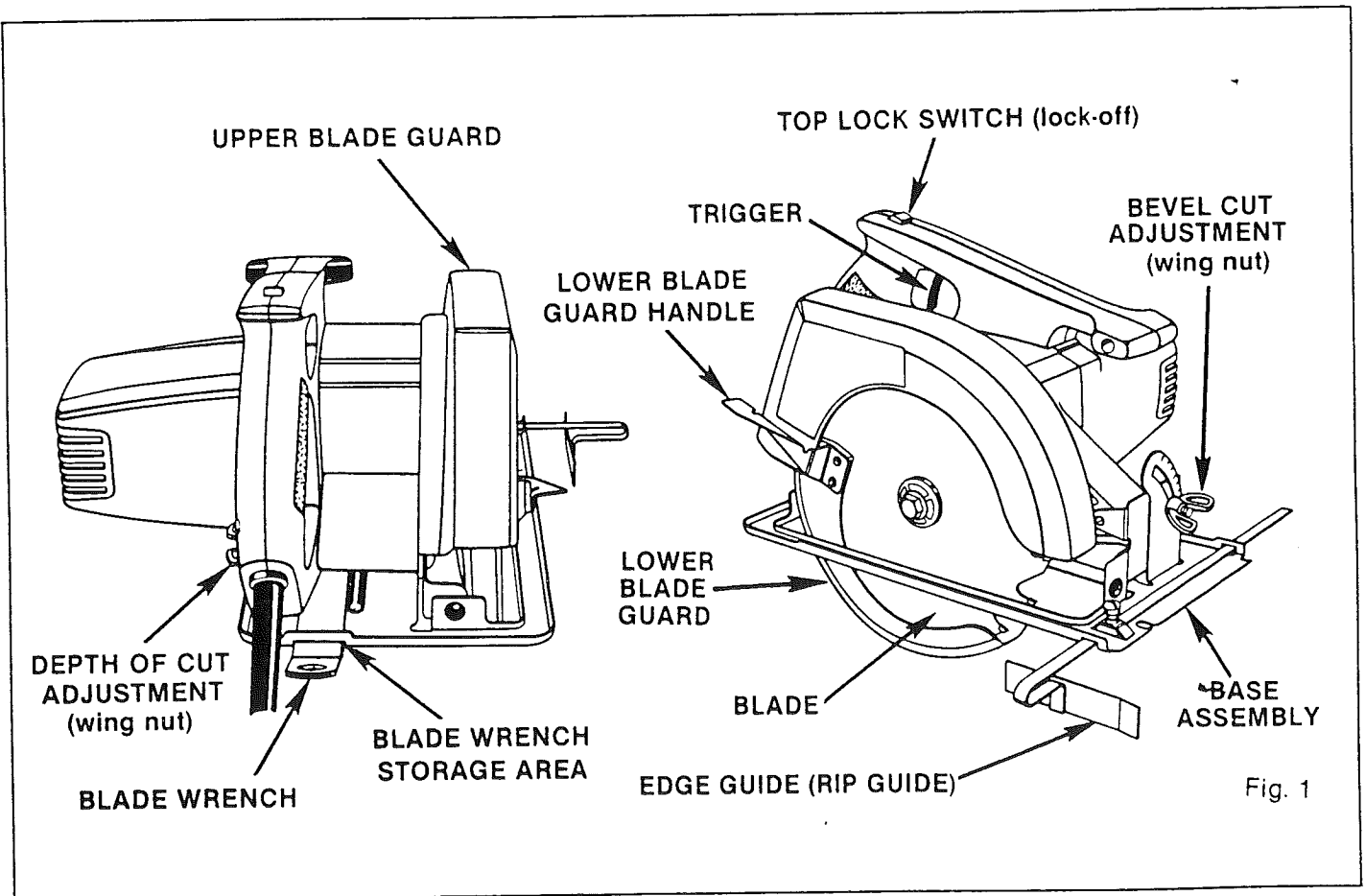
Before attempting to use your saw, familiarize yourself with all operating features (See Figure 1) and safety requirements.

If any parts are missing do not operate your saw until the missing parts are replaced.

## SWITCH

Your saw is equipped with a "lock-off" switch which reduces the possibility of accidental starting. You must depress the button on top of the handle in order to be able to pull the trigger switch. The lock resets each time the trigger is released.

Make sure power supply is 110-120 volts, 60 HZ, AC only.



# OPERATION

**▲WARNING: 7-1/4 INCH BLADE IS THE MAXIMUM BLADE CAPACITY OF YOUR SAW. ALSO, NEVER USE A BLADE HAVING A THICKNESS THAT WILL NOT ALLOW OUTER BLADE WASHER TO ENGAGE WITH FLAT ON SPINDLE. LARGER BLADES WILL COME IN CONTACT WITH THE BLADE GUARDS, WHILE THICKER BLADES WILL PREVENT BLADE SCREW FROM SECURING BLADE ON SPINDLE. EITHER OF THESE SITUATIONS COULD RESULT IN A SERIOUS ACCIDENT.**

## TO ASSEMBLE BLADE

### 1. UNPLUG YOUR SAW.

**▲WARNING: FAILURE TO UNPLUG YOUR SAW COULD RESULT IN ACCIDENTAL STARTING CAUSING SERIOUS INJURY.**

2. Remove blade wrench from storage area. See Figure 2.
3. Position your saw on end of motor housing and remove blade screw. **NOTE:** Turn blade screw counterclockwise to remove.
4. Remove spring washer and "D" washer.

**▲WARNING: IF INNER BLADE WASHER IS REMOVED WHEN ASSEMBLING BLADE, IT MUST BE REPLACED BEFORE PLACING BLADE ON SPINDLE. SEE FIGURE 2.**

5. Fit saw blade inside blade guard and onto spindle. **NOTE:** The saw teeth point upward at the front of saw.
6. Replace "D" washer and spring washer. **NOTE:** "Cupped" side of spring washer goes against outer blade "D" washer. See Figure 2.
7. Replace blade screw and tighten until spring washer is flattened. **NOTE:** Turn blade screw clockwise to tighten.
8. Return blade wrench to storage area. **NOTE:** Always place angled portion of blade wrench up as shown in figure 2.

## TO REMOVE BLADE

### 1. UNPLUG YOUR SAW.

**▲WARNING: FAILURE TO UNPLUG YOUR SAW COULD RESULT IN ACCIDENTAL STARTING CAUSING SERIOUS INJURY.**

2. Remove blade wrench from storage area. See Figure 2.
3. Place your saw on a piece of scrap wood as shown in figure 3 with the blade teeth embedded in the wood.
4. Turn blade screw counterclockwise and remove.
5. Remove spring washer, "D" washer, and blade. Before replacing blade, wipe a drop of oil onto washers where they contact blade.
6. Return blade wrench to storage area. **NOTE:** Always place angled portion of blade wrench up as shown in figure 2.

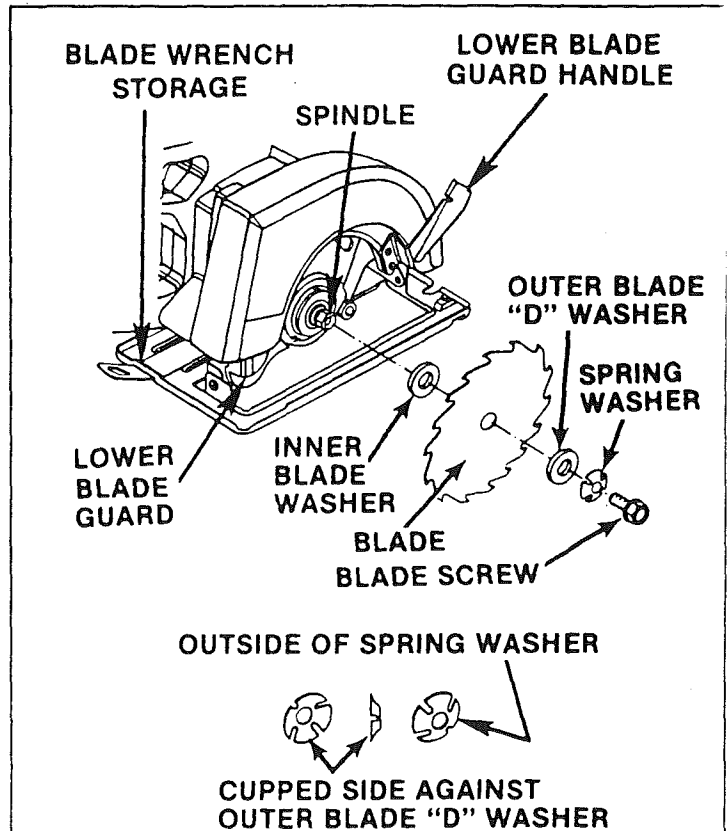


Fig. 2

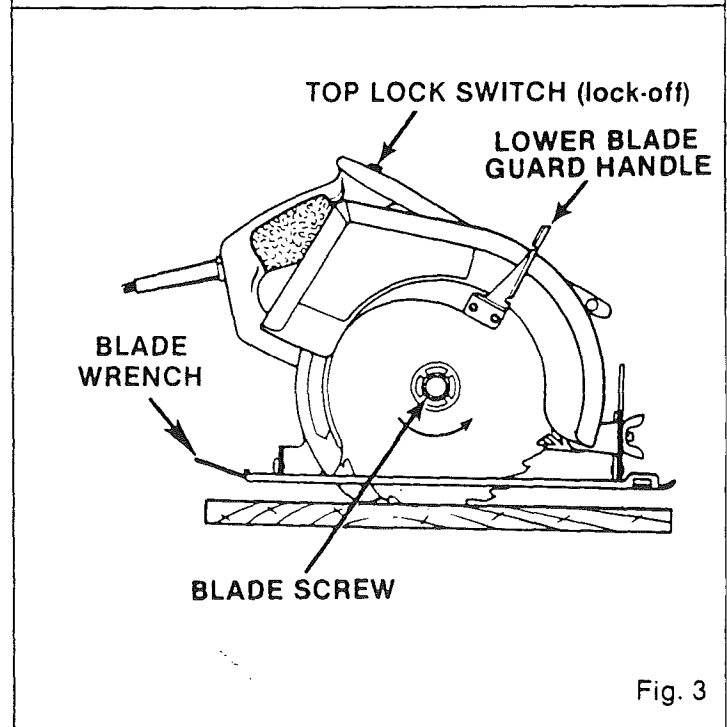


Fig. 3

# OPERATION

## BLADE GUARD SYSTEM

The lower blade guard attached to your circular saw is there for your protection and safety. It should never be altered for any reason. If it becomes damaged, do not operate your saw until the damage has been repaired or replaced. Always leave guard in operating position when using your saw.

**DANGER:** When sawing through work, lower blade guard does not cover blade on underside of work. See Figure 4.

Since blade is exposed on underside of work, keep hands and fingers away from cutting area. Any part of your body coming in contact with moving blade will result in serious injury. Never use saw when guard is not operating correctly. Guard should be checked for correct operation before each use. NOTE: The guard is operating correctly when it moves freely and readily returns to the down position. If you drop your saw, check the lower blade guard for damage to all depth settings before reuse.

## KICKBACK

THE BEST GUARD AGAINST KICKBACK IS TO AVOID DANGEROUS PRACTICES.

Kickback occurs when the blade stalls rapidly and the saw is driven back towards you. **DANGER:** RELEASE SWITCH IMMEDIATELY IF BLADE BINDS OR SAW STALLS. See Figure 5. Kickback could cause you to lose control of your saw. Loss of control can lead to serious injury.

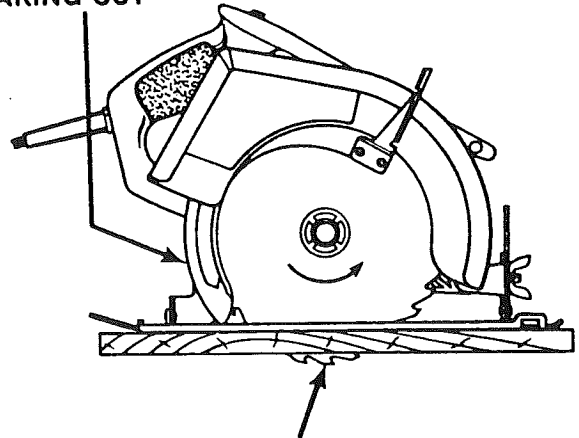
### KICKBACK IS CAUSED BY:

1. Incorrect blade depth setting. See Figure 5.
2. Sawing into knots or nails in work.
3. Twisting blade while making a cut.
4. Making a cut with a dull, gummed up, or improperly set blade.
5. Incorrectly supporting work. See Figure 6.
6. Forcing a cut.
7. Cutting warped or wet lumber.
8. Tool misuse or incorrect operating procedures.

### TO LESSEN THE CHANCE OF KICKBACK:

1. Always keep the correct blade depth setting — the correct blade depth setting for all cuts has one whole tooth projected below the material to be cut. (For carbide-tipped blades, only one-half of a tooth). See Figure 4.
2. Inspect the work for knots or nails before beginning a cut. Never saw into a knot or nail.

LOWER BLADE GUARD IS IN UP POSITION WHEN MAKING CUT



BLADE EXPOSED ONE WHOLE TOOTH ON UNDERSIDE OF WORK

Fig. 4

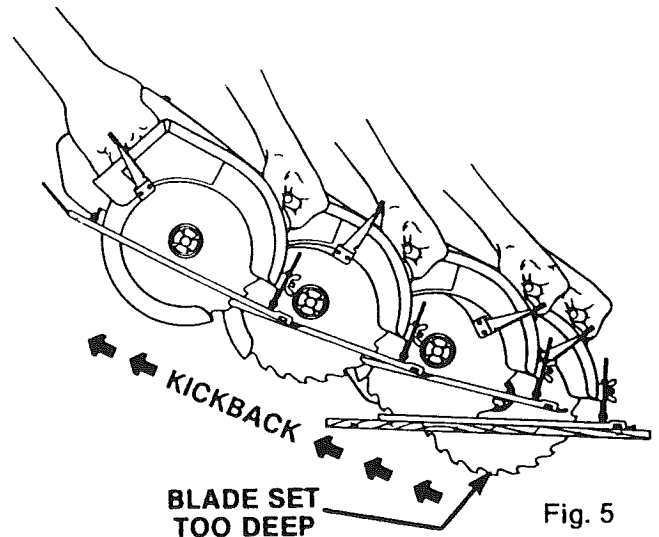
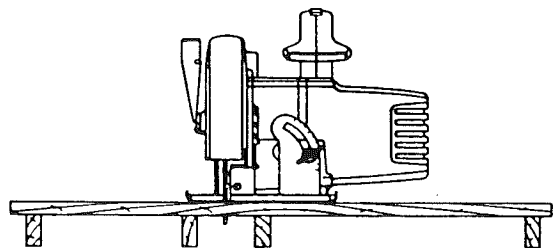
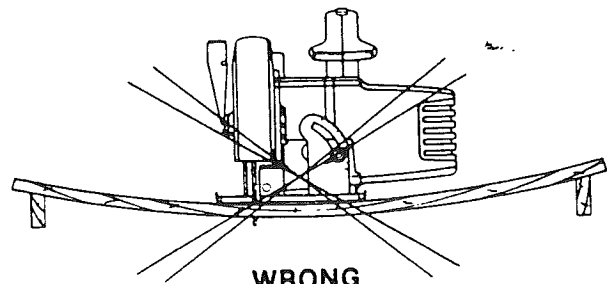


Fig. 5



RIGHT



WRONG

Fig. 6

# OPERATION

## TO LESSEN THE CHANCE OF KICKBACK (Cont'd.)

3. Make straight cuts. Always use a straight edge guide when rip cutting. This helps prevent twisting the blade in the cut.
4. Always use clean, sharp, and properly set blades. Never make cuts with dull blades.
5. To avoid pinching the blade, support the work properly before beginning a cut. The right and wrong ways to support large pieces of work are shown in figure 6.
6. When making a cut use steady, even pressure. Never force cuts.
7. Do not cut warped or wet lumber.
8. Always hold your saw firmly with both hands and keep your body in a balanced position so as to resist the forces of kickback should it occur.

**WHEN USING YOUR SAW ALWAYS STAY ALERT AND EXERCISE CONTROL. DO NOT REMOVE YOUR SAW FROM WORKPIECE WHILE THE BLADE IS MOVING.**

## DEPTH OF CUT ADJUSTMENT

Always keep correct blade depth setting. The correct blade depth setting for all cuts has one whole tooth projecting below the material to be cut. (For carbide-tipped blades, only one-half of a tooth). More blade depth will increase the chance of kickback and cause the cut to be rough.

## TO ADJUST BLADE DEPTH

1. UNPLUG YOUR SAW.

**▲WARNING: FAILURE TO UNPLUG YOUR SAW COULD RESULT IN ACCIDENTAL STARTING CAUSING SERIOUS INJURY.**

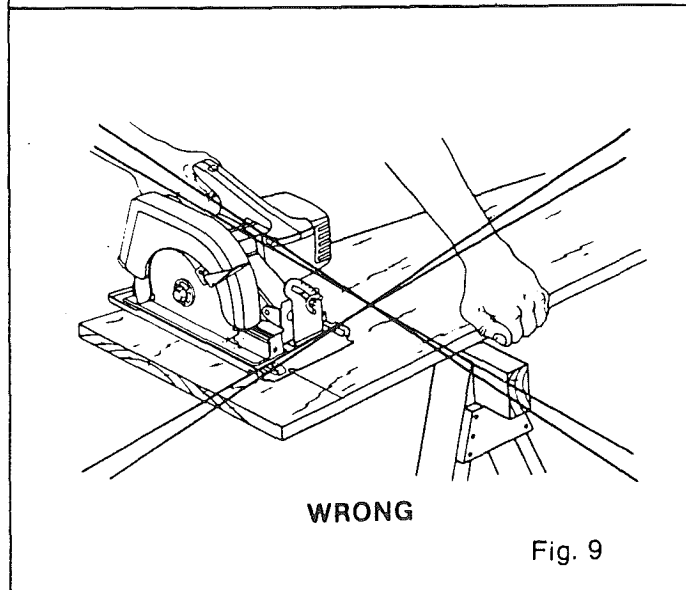
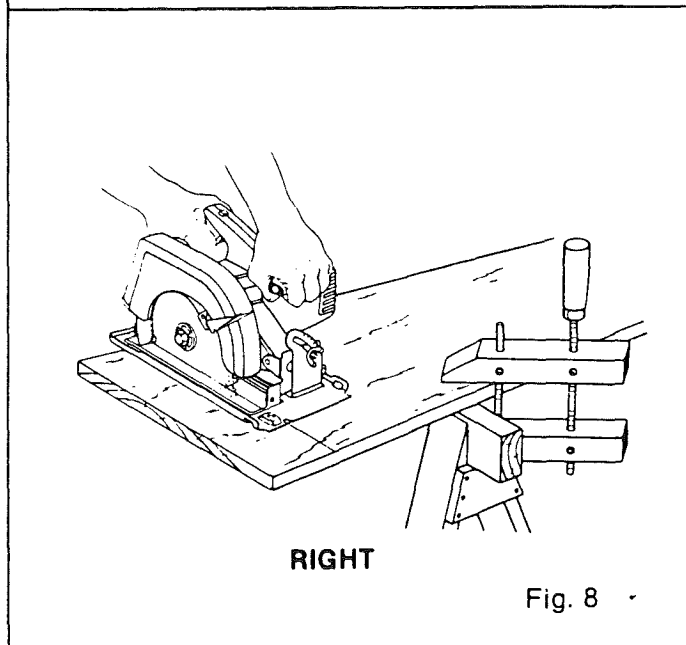
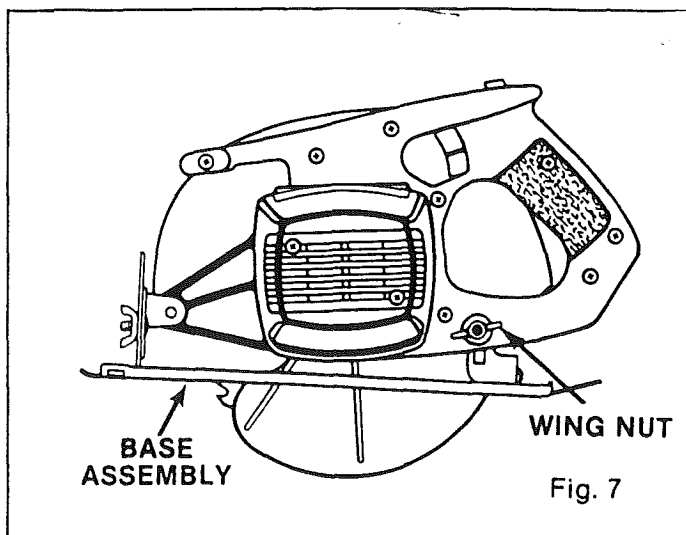
2. Loosen wing nut. See Figure 7.
3. Hold base flat against the work and raise or lower saw until the required depth is reached.
4. Tighten wing nut securely.

## STARTING A CUT

KNOW THE RIGHT WAY TO USE YOUR SAW. See Figure 8.

NEVER USE YOUR SAW AS SHOWN IN FIG. 9.

NEVER PLACE YOUR HAND ON THE WORKPIECE BEHIND YOUR SAW WHILE MAKING A CUT.





# OPERATION

## STARTING A CUT (Cont'd)

**▲WARNING:** TO MAKE SAWING EASIER AND SAFER, ALWAYS MAINTAIN PROPER CONTROL OF YOUR SAW. LOSS OF CONTROL OF YOUR SAW COULD CAUSE AN ACCIDENT RESULTING IN POSSIBLE SERIOUS INJURY.

### TO HELP MAINTAIN CONTROL:

1. Always support your work near the cut.
2. Support your work so the cut will be on your right.
3. Clamp your work so it will not move during the cut.

Place your work with its good side down. **NOTE:** The good side is the side on which appearance is important.

Before beginning a cut, draw a guide line along the desired line of cut. Then place front edge of base on that part of your work that is solidly supported. See *Figure 10*.

**NEVER PLACE YOUR SAW ON THAT PART OF THE WORK THAT WILL FALL OFF WHEN THE CUT IS MADE.** See *Figure 11*.

Keep the cord away from cutting area. **ALWAYS** place the cord to prevent it from hanging up on the work while making a cut.

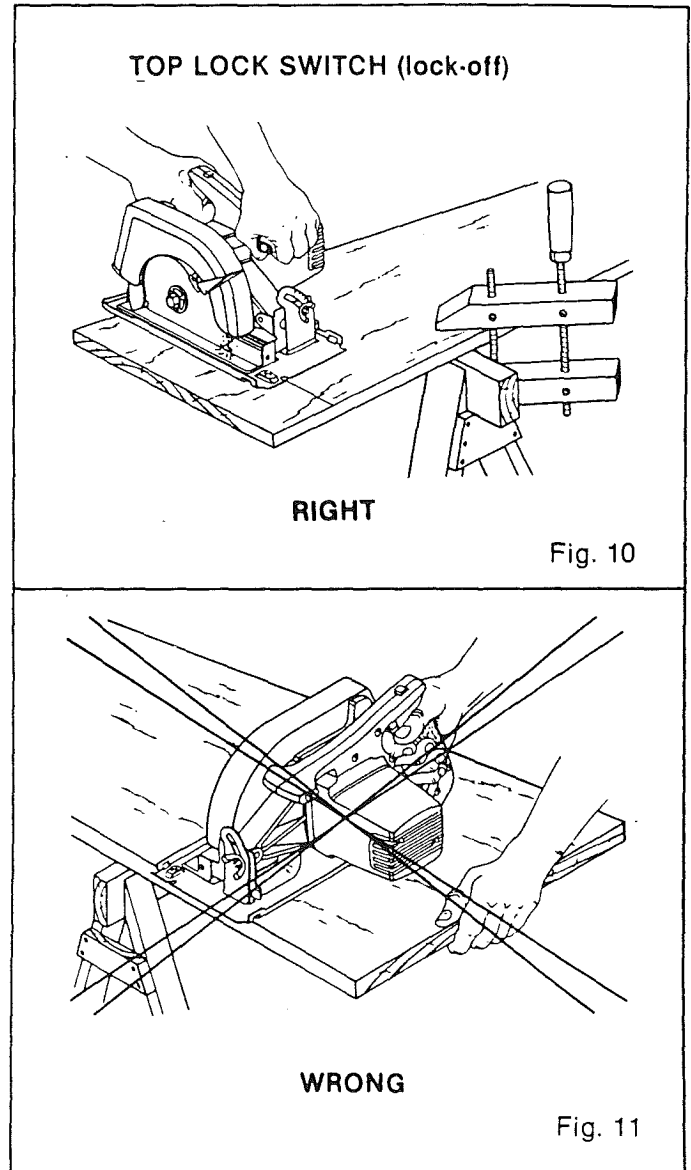
**▲DANGER:** If the cord hangs up on the work during a cut, release the switch trigger immediately. Unplug your saw and reposition the cord to prevent it from hanging up again.

**▲DANGER:** Using your saw with a damaged cord could result in serious injury or death. If the cord has been damaged, have it replaced before using your saw again.

Hold your saw firmly with both hands. See *Figure 10*. Push the lock-off button down and squeeze the switch trigger. **NOTE:** The lock-off button is located on top of the handle. **ALWAYS LET THE BLADE REACH FULL SPEED, THEN GUIDE YOUR SAW INTO THE WORK.**

**▲WARNING:** THE BLADE COMING IN CONTACT WITH THE WORK BEFORE IT REACHES FULL SPEED COULD CAUSE YOUR SAW TO "KICKBACK" TOWARDS YOU RESULTING IN SERIOUS INJURY.

When making a cut use steady, even pressure. Forcing causes rough cuts, could shorten the life of your saw and could cause "kickback."



### REMEMBER:

When sawing through work, the lower blade guard does not cover the blade, exposing it on the underside of work. Keep your hands and fingers away from cutting area. Any part of your body coming in contact with the moving blade will result in serious injury.

After you complete your cut release the trigger and allow the blade to come to a complete stop. **DO NOT REMOVE YOUR SAW FROM WORKPIECE WHILE THE BLADE IS MOVING.**

**▲CAUTION:** When lifting your saw from the work the blade is exposed on the underside of your saw until the lower blade guard closes. Make sure lower blade guard is closed before setting your saw down on work surface.

# OPERATION

## TO CROSS CUT OR RIP CUT

When making a cross cut or rip cut, align your line of cut with the outer edge of the notch in the saw base as shown in figure 12. Since the thickness of blades vary, always make a trial cut in scrap material along a guideline to determine how much, if any, the guideline must be offset to produce an accurate cut. **NOTE:** The distance from the line of cut to the guideline is the amount you should offset the guideline.

## RIP GUIDE

Use a rip guide when making rip cuts up to five inches wide. It helps prevent the blade from twisting in a cut. The blade twisting in a cut causes kickback. If needed, Rip Guide Cat. No. 9 27679 is available at your Sears Catalog Order or Retail Store.

## TO ASSEMBLE RIP GUIDE

### 1. UNPLUG YOUR SAW.

**⚠WARNING: FAILURE TO UNPLUG YOUR SAW COULD RESULT IN ACCIDENTAL STARTING CAUSING SERIOUS INJURY.**

2. Place rip guide through holes in saw base as shown in figure 13.
3. Adjust rip guide to the length needed for the cut.
4. Tighten screw securely.

When using a rip guide, hold the face of the rip guide firmly against the edge of work. This makes for a true cut without pinching the blade. The guiding edge of work must be straight for your cut to be straight. Use caution to prevent the blade from binding in the cut.

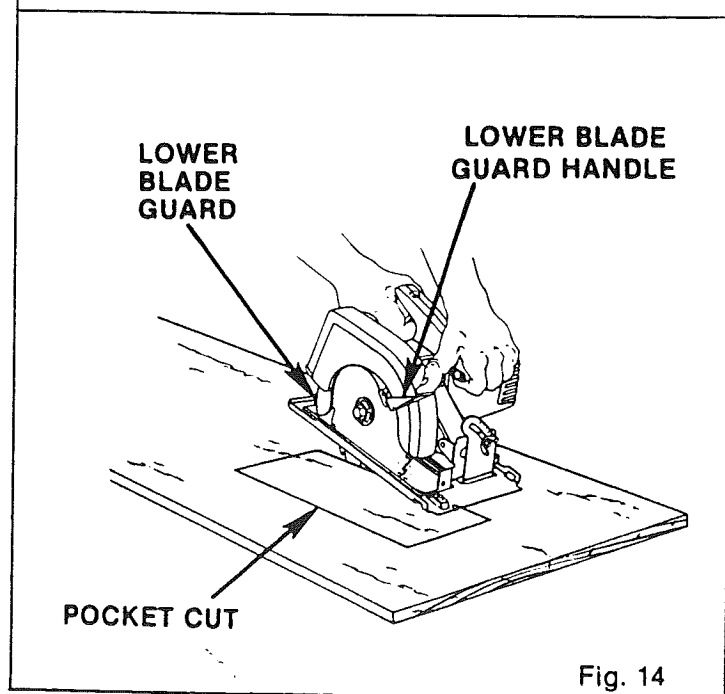
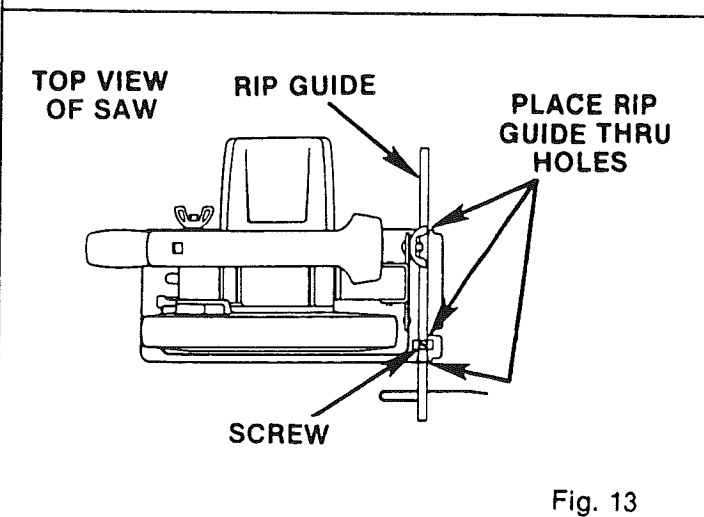
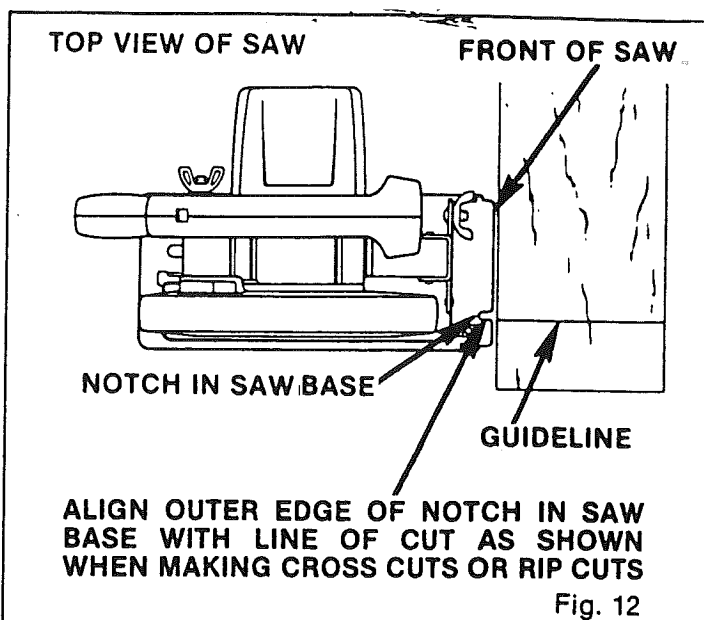
## TO POCKET CUT

**⚠WARNING: ALWAYS ADJUST BEVEL SETTING TO ZERO BEFORE MAKING A POCKET CUT. ATTEMPTING A POCKET CUT AT ANY OTHER SETTING WILL RESULT IN LOSS OF CONTROL OF YOUR SAW POSSIBLY CAUSING SERIOUS INJURY.**

With the bevel setting adjusted to zero, swing the lower blade guard up using the lower blade guard handle.

**⚠WARNING: ALWAYS RAISE THE LOWER BLADE GUARD WITH THE HANDLE TO AVOID SERIOUS INJURY.**

While holding lower blade guard by the handle, firmly rest the front of the base flat against the workpiece with the rear of the base raised so the blade does not touch the work. See Figure 14. Push the lock-off button down and squeeze the switch trigger. **ALWAYS LET THE BLADE REACH FULL SPEED THEN SLOWLY LOWER BLADE INTO THE WORK UNTIL BASE IS FLAT AGAINST WORK.**



# OPERATION

## TO POCKET CUT (Cont'd.)

After you complete your cut release the trigger and allow the blade to come to a complete stop. **DO NOT REMOVE YOUR SAW FROM WORKPIECE WHILE THE BLADE IS MOVING.**

Corners may then be cleaned out with a hand saw or sabre saw.

## TO BEVEL CUT

The angle of cut of your saw may be adjusted to any desired setting between zero and 45 degrees. There is a notch in the saw base to help you line up the blade with the line of cut. See Figure 15. Align your line of cut with the inner edge of the notch in the saw base when making full 45 degree bevel cuts. Since the thickness of blades vary and different angles require different settings, always make a trial cut in scrap material along a guideline to determine how much you should offset the guideline on the board to be cut.

When making a bevel cut hold your saw firmly with both hands as shown in Figure 16. Rest the front edge of the base on the work. Push in the lock-off button and squeeze the switch trigger. **ALWAYS LET THE BLADE REACH FULL SPEED, THEN GUIDE YOUR SAW INTO THE WORK.**

**⚠WARNING: THE BLADE COMING IN CONTACT WITH THE WORK BEFORE IT REACHES FULL SPEED COULD CAUSE SAW TO "KICKBACK" TOWARD YOU RESULTING IN SERIOUS INJURY.**

After you complete your cut release the trigger and allow the blade to come to a complete stop. **DO NOT REMOVE YOUR SAW FROM WORKPIECE WHILE THE BLADE IS MOVING.**

## TO ADJUST BEVEL SETTING

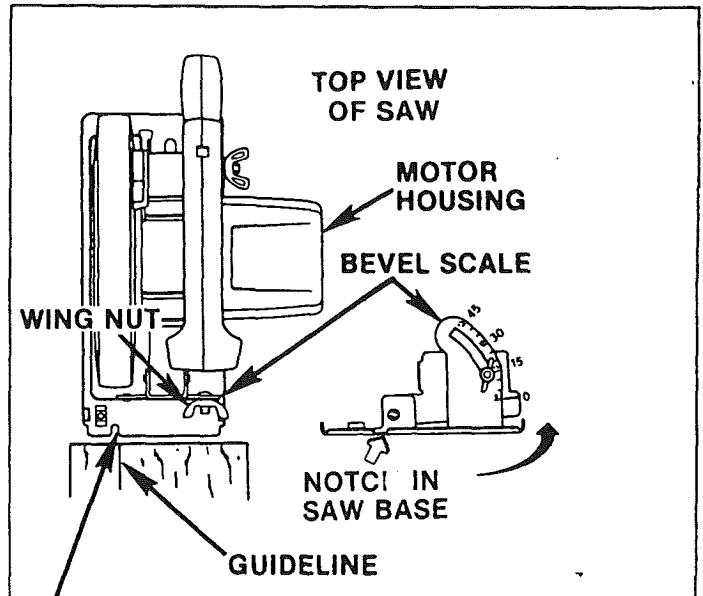
### 1. UNPLUG YOUR SAW.

**⚠WARNING: FAILURE TO UNPLUG YOUR SAW COULD RESULT IN ACCIDENTAL STARTING CAUSING SERIOUS INJURY.**

2. Loosen wing nut. See Figure 15.
3. Raise motor housing end of saw until you reach the desired angle setting on bevel scale. See Figure 15.
4. Tighten wing nut securely.

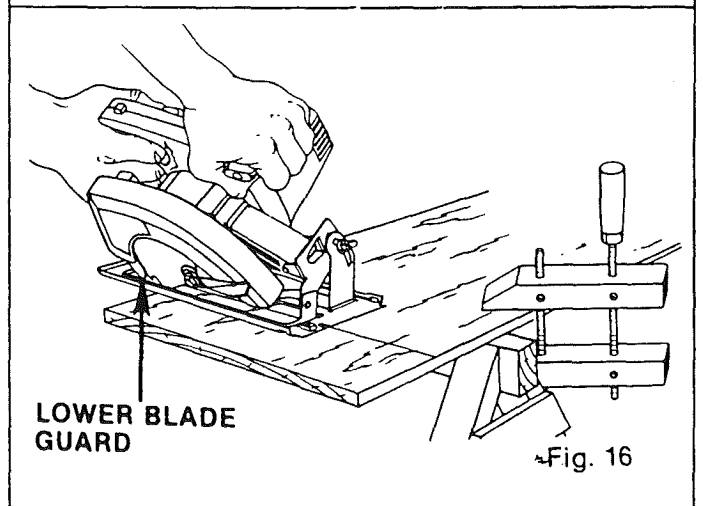
**⚠WARNING: ATTEMPTING BEVEL CUT WITHOUT WING NUT SECURELY TIGHTENED CAN RESULT IN SERIOUS INJURY.**

**⚠WARNING: NEVER TIE THE LOWER BLADE GUARD IN A RAISED POSITION. LEAVING THE BLADE EXPOSED COULD LEAD TO SERIOUS INJURY.**



ALIGN INNER EDGE OF NOTCH IN SAW BASE WITH LINE OF CUT AS SHOWN WHEN MAKING 45° BEVEL CUTS

Fig. 15



# MAINTENANCE

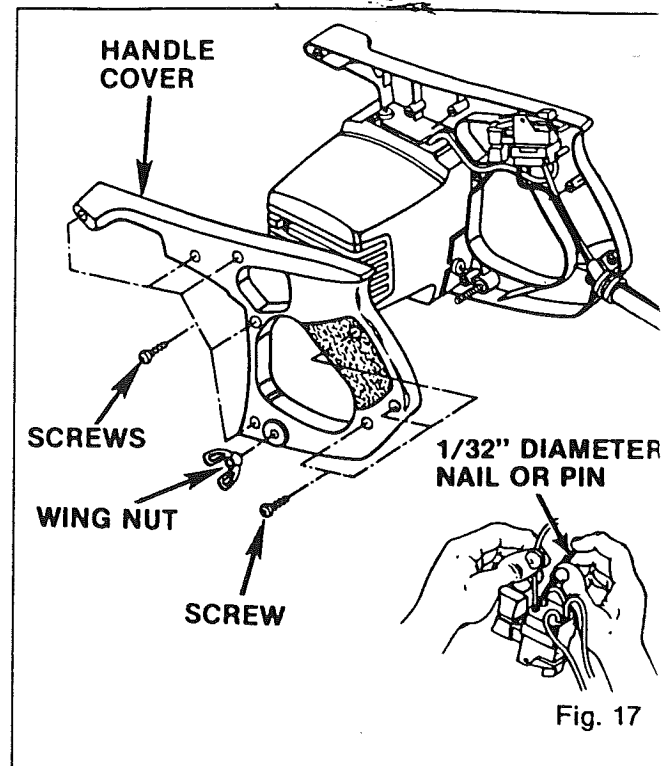
## WHEN SERVICING USE ONLY IDENTICAL REPLACEMENT PARTS

### POWER CORD OR SWITCH REPLACEMENT

#### 1. UNPLUG YOUR SAW.

**▲WARNING: FAILURE TO UNPLUG YOUR SAW COULD RESULT IN ACCIDENTAL STARTING OR SHOCK CAUSING SERIOUS INJURY OR DEATH.**

2. Remove screws and wing nut securing handle cover. See Figure 17.
3. Carefully lift handle cover away from tool.
4. Note the locations of all lead wiring inside the handle and how each connection has been made. **IMPORTANT:** When the new cord or switch is installed, identical connections must be made.
5. Remove the lead wires from the switch by inserting a 1/32" diameter pin or nail into each switch lead receptacle and pull the lead wires as shown in Figure 16. This will release the wires. Remove the pin or nail with a twisting motion.
6. To replace lead wires, push each lead wire into its proper receptacle. **NOTE:** Be sure to push lead wires into switch as far as possible.
7. Locate the switch in the handle and place all wiring so it cannot be pinched or contact screws when handle cover is replaced.
8. Replace handle cover, screws, and wing nut.
9. Tighten screws and wing nut securely.



### GENERAL

Only the parts shown on parts list, page 15, are intended to be repaired or replaced by the customer. All other parts represent an important part of the double insulation system and should be serviced only by a qualified service technician.

Avoid using solvents when cleaning plastic parts. Most plastics are susceptible to various types of commercial solvents and may be damaged by their use. Use clean cloths to remove dirt, carbon dust, etc.

**▲WARNING: DO NOT AT ANY TIME LET BRAKE FLUIDS, GASOLINE, PETROLEUM-BASED PRODUCTS, PENETRATING OILS, ETC. COME IN CONTACT WITH PLASTIC PARTS. THEY CONTAIN CHEMICALS THAT CAN DAMAGE, WEAKEN, OR DESTROY PLASTICS.**

When electric tools are used on fiberglass boat sports cars, etc., it has been found that they are subject to accelerated wear and possible premature failure, as the fiberglass chips and grindings are highly abrasive to bearings, brushes, commutator etc. Consequently it is not recommended that the tool be used for extended work on any fiberglass material. During any use on fiberglass it is extremely important that the tool is cleaned frequently by blowing with an air jet. **ALWAYS WEAR SAFETY GLASSES, DUST MASK, OR EYESHIELDS BEFORE BEGINNING POWER TOOL OPERATION OR BLOWING DUST.**

THE FOLLOWING RECOMMENDED ACCESSORIES WERE AVAILABLE AT THE TIME THIS MANUAL WAS PRINTED.

Cord Lock (9 2595)	7¼ Saw Blade (9 32303)	7¼ Saw Blade (9 32664)
Carrying Case (9 14702)	7¼ Saw Blade (9 32423)	7¼ Saw Blade (9 32444)
Rip Guide (9 27679)	7¼ Saw Blade (9 32494)	7¼ Saw Blade (9 32526)
50' 14 A.W.G. Ext. Cord (9 5821)	7¼ Saw Blade (9 32564)	7¼ Saw Blade (9 32518)
	100' 14 A.W.G. Ext. Cord (9 83508)	7¼ Saw Blade (9 32489)

**▲CAUTION:** The use of attachments or accessories not listed above might be hazardous.

# MAINTENANCE (Cont'd.)

## TO CLEAN SAWDUST FROM LOWER BLADE GUARD

Periodically sawdust will accumulate behind the lower blade guard causing it to be clogged. This clogging could prevent guard from moving freely and readily returning to the down position after use.

### 1. UNPLUG YOUR SAW.

**▲WARNING: FAILURE TO UNPLUG YOUR SAW COULD RESULT IN ACCIDENTAL STARTING CAUSING SERIOUS INJURY.**

2. Remove saw blade from your saw. See "To Remove Blade" instructions on page 6. Also remove inner blade washer.
3. Remove pan head screw and bumper. See Figure 18.
4. Remove wing nut, lower depth of cut on base assembly until carriage bolt can be removed, then remove carriage bolt. Rotate base assembly until it clears lower blade guard.
5. Using a 3/16" flat blade screwdriver or needle-nose pliers, remove retaining ring from blade guard support. **ALWAYS WEAR SAFETY GLASSES OR EYESHIELDS.**
6. Remove lower blade guard from your saw and clean. Also clean blade guard support area. **NOTE:** When cleaning use an air hose, clean soft cloth or brush.

## TO REASSEMBLE

See Figure 18.

1. Check torsion spring and make sure it has not been bent or damaged. Replace if necessary.
2. Place lower blade guard in normal operating position and secure to blade guard support with retaining ring. **NOTE:** Retaining ring can easily be installed by spreading it apart similar to a spring and rolling around the groove on blade guard support. See Figure 18.
3. Rotate lower blade guard approximately 1-1/2 turns clockwise until tension on torsion spring is tight. **NOTE:** The hook on torsion spring must be aligned with tab on spring retainer before tension can be applied to spring. See Figure 18. If lower blade guard does not become tight, the hook on tension spring is not engaged with tab on blade guard. Do not attempt to use your saw until lower blade guard has the proper amount of tension.
4. Reposition base assembly, then replace carriage bolt, wing nut, bumper, and screw.
5. Reassemble saw blade. See "To Assemble Blade" instructions on Page 6.

**▲WARNING: CHECK OPERATION OF LOWER BLADE GUARD BEFORE REUSE TO SEE THAT IT MOVES FREELY AND READILY RETURNS TO THE DOWN POSITION. FAILURE TO DO SO COULD RESULT IN AN ACCIDENT CAUSING POSSIBLE SERIOUS INJURY.**

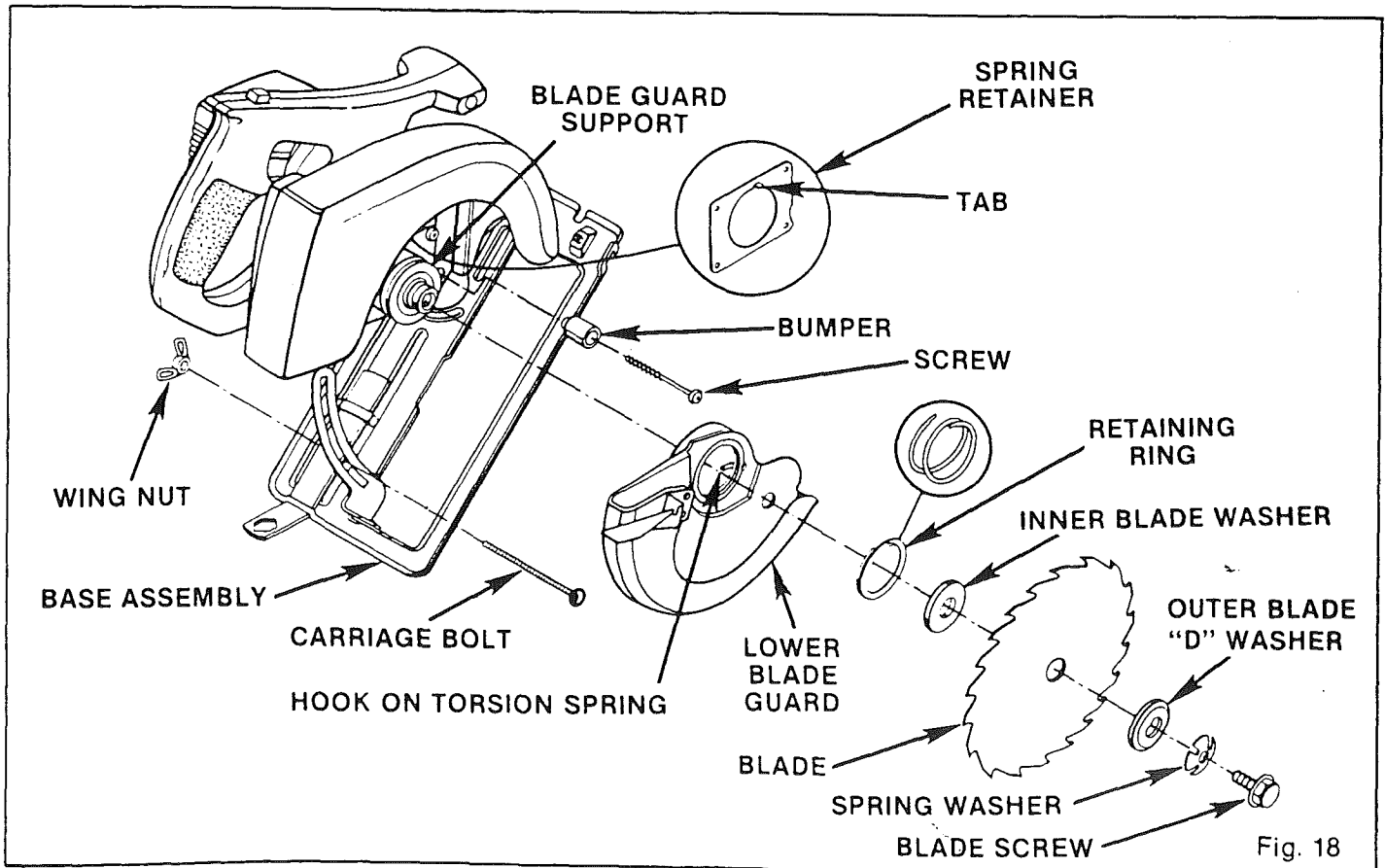
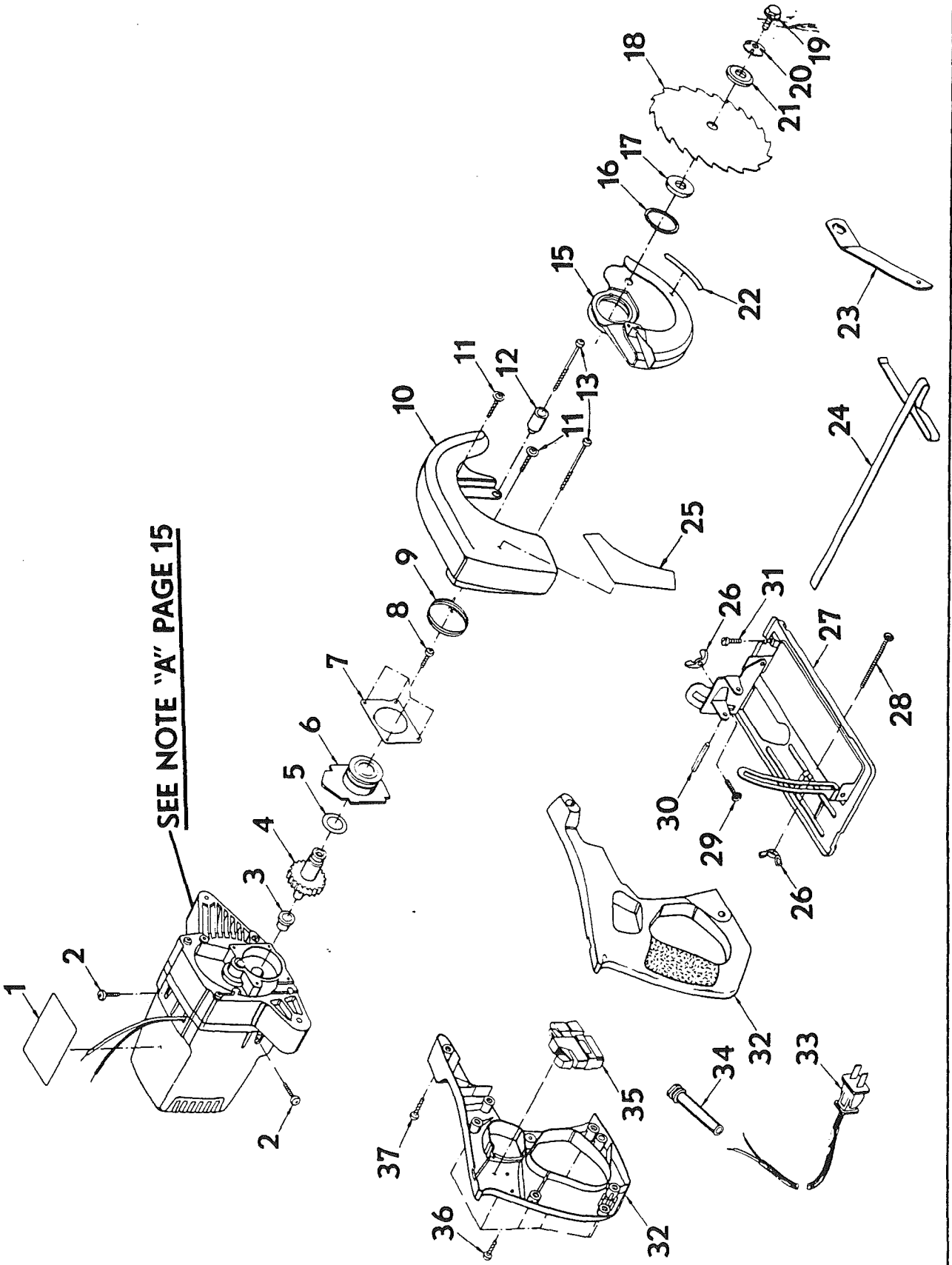


Fig. 18

SEE NOTE "A" PAGE 15



**CRAFTSMAN CIRCULAR SAW — MODEL NUMBER 315.109240**

The Model Number will be found on a plate attached to the motor housing. Always mention the Model Number in all correspondence regarding your CIRCULAR SAW or when ordering repair parts.

SEE BACK PAGE FOR PARTS ORDERING INSTRUCTIONS

**PARTS LIST**

KEY NO.	PART NO.	DESCRIPTION	QUAN.	KEY NO.	PART NO.	DESCRIPTION	QUAN.
1	967138-001	Data Plate.....	1	20	623547-002	Washer.....	1
2	617205-002	*Screw (#1/4-20 x 5/8" Pan Hd.).....	2	21	998463-001	Washer.....	1
3	714043-005	Flange Bearing.....	1	22	999988-001	Decal.....	1
4	998211-001	Gear & Spindle.....	1	23	967074-001	Wrench.....	1
5	931944-802	Washer.....	1	24	990732-003	***Edge Guide (Cat. No. 9 27679).....	1
6	999895-003	Blade Guard Support w/Bearing.....	1	25	967139-001	Horsepower Logo.....	1
7	998465-001	Spring Retainer.....	1	26	621438-006	Wing Nut **STD541625.....	2
8	617966-011	*Screw (#8-10 x 3/4" Pan Hd.).....	4	27	999774-002	Base Assembly.....	1
9	617155-002	Torsion Spring.....	1	28	621433-013	*Carriage Bolt (#1/4-20 x 3-1/4").....	1
10	999979-002	Fixed Blade Guard.....	1	29	621433-004	*Carriage Bolt (#1/4-20 x 5/8") **STD532507..	1
11	990420-001	*Washer-Head Screw (5/8").....	2	30	941401-815	Roll Pin.....	1
12	611712-001	Bumper.....	1	31	612665-005	*Screw (#10-32 x 1/2" Pan Hd. T.F.).....	1
13	617966-025	*Screw (#8-10 x 2-3/4" Pan Hd.).....	2	32	998443-000	Handle Assembly.....	1
15	998219-001	Lower Blade Guard.....	1	33	990495-002	Cord.....	1
16	718602-804	Retaining Ring.....	1	34	613651-001	Bend Relief.....	1
17	999982-001	Washer.....	1	35	999994-001	Switch.....	1
18	***	Saw Blade 7-1/4" for 5/8" Arbor.....	1	36	617966-009	*Screw (#8-10 x 5/8" Pan Hd.).....	7
		(Cat. No. 9 32303)		37	617966-013	*Screw (#8-10 x 7/8" Pan Hd.).....	1
19	612999-001	Blade Screw.....	1		612547-480	Owner's Manual	

NOTE: "A" — The assembly shown represents an important part of the Double Insulated System. To avoid the possibility of alteration or damage to the Systems, service should be performed by your nearest Sears Repair Center. Contact your nearest Sears Catalog Order or Retail Store.

\*Standard Hardware Item — May Be Purchased Locally  
 \*\*Available From Div. 98 — Source 980.00  
 \*\*\*Complete Assortment Available At Your Nearest Catalog Order Or Retail Store

# SEARS

OWNERS  
MANUAL

SERVICE

MODEL NO.  
315.109240

HOW TO ORDER  
REPAIR PARTS

# CRAFTSMAN®

## 7-1/4 INCH CIRCULAR SAW

### DOUBLE INSULATED

Now that you have purchased your Circular Saw, should a need ever exist for repair parts or service, simply contact any Sears Service Center and most Sears, Roebuck and Co. stores. Be sure to provide all pertinent facts when you call or visit.

The model number of your Circular Saw will be found on the plate attached to the motor housing.

WHEN ORDERING REPAIR PARTS, ALWAYS GIVE THE FOLLOWING INFORMATION:

- PART NUMBER
- PART DESCRIPTION
- MODEL NUMBER  
315.109240
- NAME OF ITEM  
Circular Saw

All parts listed may be ordered from any Sears Service Center and most Sears stores.

If the parts you need are not stocked locally, your order will be electronically transmitted to a Sears Repair Parts Distribution Center for handling.