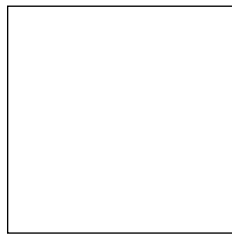


# **Integrated Fridge-Freezer**

## **50:50**



# **User Guide**

&

Installation & Service Instructions



**PLEASE KEEP FOR FUTURE REFERENCE**

U110121 - 01A

# Contents

---

<b>1. Before You Start</b>	<b>1</b>
Safety	1
Refrigerant gas information	2
Caring for the Environment	2
<b>2. About Your Fridge-Freezer</b>	<b>3</b>
About the Fresh Food Compartment	4
About the Freezer Compartment	5
Fridge-Freezer Control Panel	6
Freezing Fresh Food	7
Warning Alarm	7
During First Use	7
<b>3. Food Storage Tips</b>	<b>8</b>
Tips on Storing Fresh Food	8
Tips on Freezing Food	9
<b>4. Installation</b>	<b>10</b>
Positioning Your Appliance	10
Reversing the Doors	11
Fitting into a Cabinet Unit	12
Electrical Supply Connection	14
<b>5. Cleaning and Maintenance</b>	<b>15</b>
Cleaning	15
The Defrost Drain Hole	15
Defrosting	16
Replacing the Light Bulb	17
When Not in Use	17
<b>6. Troubleshooting</b>	<b>18</b>
<b>7. Warranty/After Sales Service</b>	<b>19</b>
<b>8. Technical Data</b>	<b>20</b>

# 1. Before You Start

---

Thank you for buying a Rangemaster appliance. We hope that it provides a stylish yet practical solution to your cooling needs. We hope that this handbook supplies you with all the information you require. If there is anything you are not sure of please contact us (see Warranty section for Consumer Services details).

**⚠ WARNING: This appliance must be earthed.**

**⚠ Please leave the appliance to stand for at least eight hours. This will allow the cooling system to settle following transportation.**

**⚠ Always make sure a qualified person installs this appliance.**

**⚠ The freezer compartment is rated at 4 stars.**

**⚠ This appliance is designed for domestic use only. Using it for any other purpose could invalidate any warranty or liability claim.**

- Before you plug the appliance into the mains, clean the inside of the appliance using warm water and bicarbonate of soda, then dry thoroughly.
- Check that no parts of the appliance are damaged, especially parts of the cooling system, pipes or leads. If damage has occurred DO NOT install the appliance. You should contact a qualified service engineer or return the appliance to its place of purchase.
- If the accessories inside the appliance have been disturbed during transit, reposition them in accordance with the instructions.
- Make sure that the electrical supply to your plug socket is correct for this appliance: the required information is on the data badge of the appliance.
- Once the appliance is installed, cleaned and dry, it is ready to be plugged in and switched on.

## Safety

**⚠ The data badge is located inside the appliance (refrigeration compartment).**

**⚠ WARNING: Keep this appliance clear of any obstruction.**

**⚠ DO NOT damage the refrigerant circuit. If it does become damaged, do not use the appliance. In case of damage, contact Consumer Services, ventilate the room where the appliance is located and avoid flames.**

**⚠ WARNING: Do not use mechanical devices (such as hair dryers) to defrost this appliance.**

- When replacing old appliances, make sure that you have disabled any locking mechanisms before disposal: it may even be best to remove the appliance door completely to prevent children from becoming trapped inside the appliance.
- The appliance must be connected to the power supply safely. Loose connections, broken plugs and bare

wires are a safety hazard. Make sure that all electrical connections are sound.

- Before undertaking any routine maintenance or minor repairs, disconnect the appliance from the electrical supply. This includes cleaning and changing light bulbs.
- DO NOT touch cold surfaces of the appliance while it is in use as this will cause hands to stick to them leading to freezer burns.
- When moving the appliance take care not to damage the leads, pipes or condenser unit. Should these parts become damaged, contact a qualified service engineer.
- Effervescent liquids (fizzy drinks) should never be frozen. These liquids expand during freezing and this may lead to the bottles/containers shattering or exploding.
- Foods that are intended to be defrosted or cooked first, such as breads or meats, must not be eaten in their frozen state.
- If food looks or smells strange, do not attempt to eat it. If in doubt throw it away. Spoiled food can be harmful to your health.
- Never use sharp, metal implements to scrape ice off the surface of this appliance. Only use implements, which are fit for this purpose (such as plastic scrapers) and use carefully to avoid damaging the lining of the appliance.
- The cooling system contains refrigerant and oils, all of which are harmful to health if leaked. Should leakage occur, disconnect the appliance and ventilate the room it is installed in. Take care to make sure that you do not get any coolant near to, or in, your eyes. Contact a service engineer or arrange to have the appliance removed. DO NOT use the appliance under any circumstances.

## Electrical Safety

- Connections to the mains supply should be in accordance with local regulations.
- The appliance must be plugged into an earthed socket.
- The plug MUST be accessible after the appliance has been positioned.
- The appliance is supplied with a standard three-pin plug, of which the one for grounding should never be removed.
- Hold the plug, not the electrical cable, when unplugging the appliance.
- Make sure that the appliance does not trap the electric cable.
- Do not step on the cable.
- Avoid damage to the electric cable when moving the appliance.

## Damaged electrical cable

If the electrical cable is damaged or worn, turn off the appliance and consult an authorised agent for replacement.

## Refrigerant gas information

**IMPORTANT:** This appliance is provided with refrigerant gas, ISOBUTHANE (R600a). When moving the appliance take care to ensure that it is not excessively struck or shaken. Failure to do so could damage the appliance.

Damage to the refrigerating circuit, with possible leaking of refrigerating gas, could create a risk of explosion caused by external sparks or flames.

### In the event of accidental leakage

Allow the material to evaporate ensuring that adequate ventilation is provided.

### Behaviour of the gas

This refrigerant gas is highly flammable so do not allow the gas to come into contact with hot surfaces or naked flames. Gas R600a is heavier than air: if released it forms a high concentration at floor level where ventilation is poor.

### First aid

#### Inhalation

Take the exposed person from the polluted area and carry them to a warm, well ventilated place.

Long exposure can cause the onset of asphyxia and possible loss of consciousness. If necessary, practice artificial respiration, and in the most serious cases, administer oxygen under close medical supervision.

#### Skin contact

It is unlikely that occasional contact with the skin is dangerous. If this should happen thoroughly wash the affected zone.

Liquid splashes and atomised liquid can cause freezing burns. Wash the affected part with plenty of water and call a doctor to treat any burns.

#### Eye contact

Wash with plenty of water, with eyelids well open, and call a specialist doctor as soon as possible.

**In any event, should you inhale or come into contact with R600a gas, we advise you to consult your own doctor.**

## Caring for the Environment

### Disposing of your packaging

Your new refrigerator was protected by suitable packaging while on its way to you. All of the materials used are environmentally friendly for disposal and can be recycled. Please make a contribution to protecting the environment by disposing of the packaging appropriately.

### Disposing of your old refrigerator



This symbol on the product or its packaging indicates that the product may not be treated as household waste. Instead it should be handed over your local community waste collection/recycling centre.

Old appliances still have some residual value. An environmentally friendly method of disposal will ensure that valuable raw materials can be recovered and used again.

When an appliance has reached the end of its working life unplug it from the mains. Cut off the mains cable and dispose of it together with the plug.

Make the door unfit for use (by removing the seals) or remove the door so that children cannot accidentally lock themselves in.

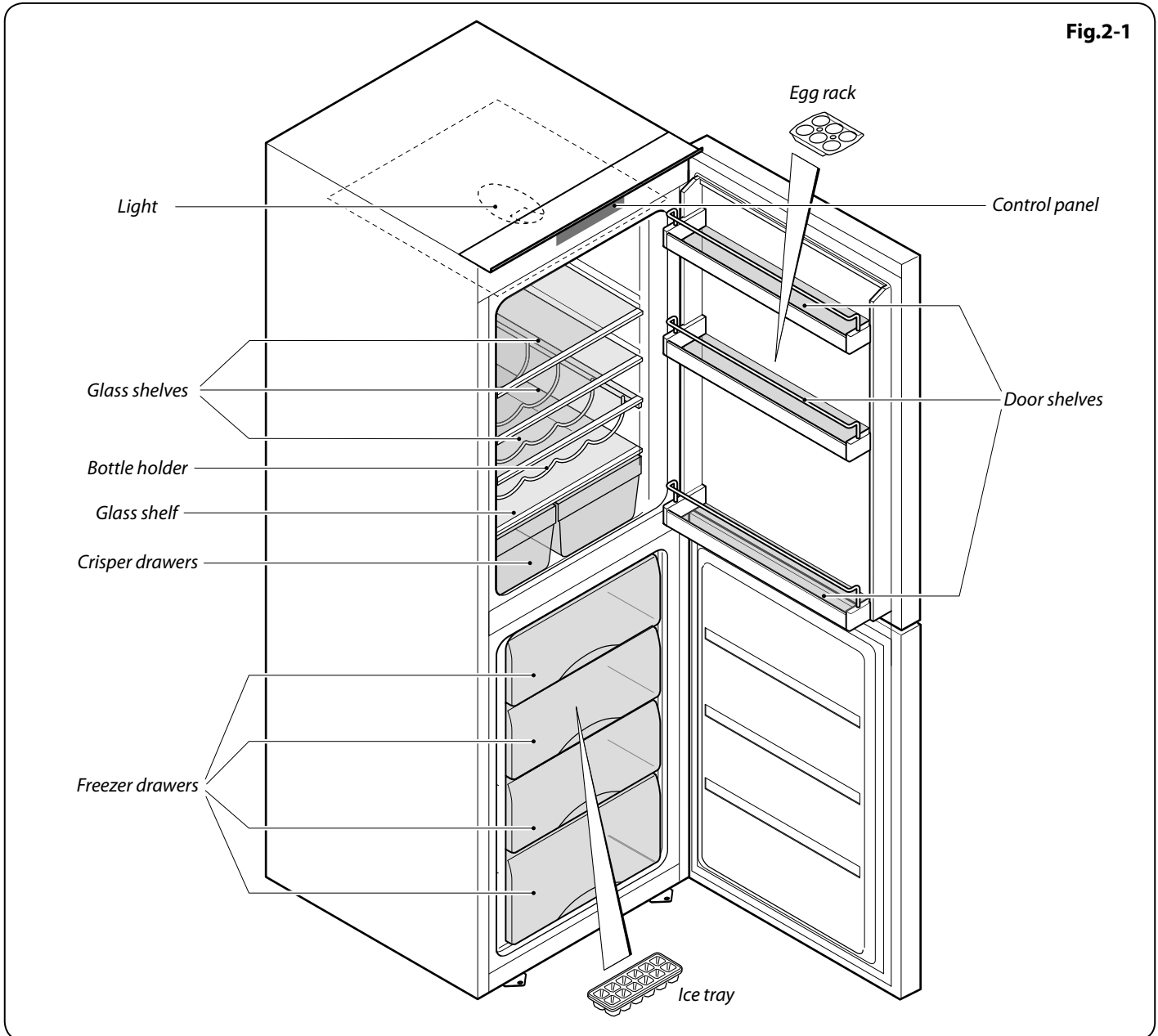
Cycloisopentane, a flammable substance not harmful to the ozone, is used as an expander for the insulating foam.

When transporting the appliance, take care not to damage the cooling circuit.

By ensuring this product is disposed of correctly, you will help prevent potential negative consequences for the environment and human health, which could otherwise be caused.

For more detailed information about recycling of this product, please contact your local council, your household waste disposal service or the shop where you purchased the product.

## 2. About Your Fridge-Freezer

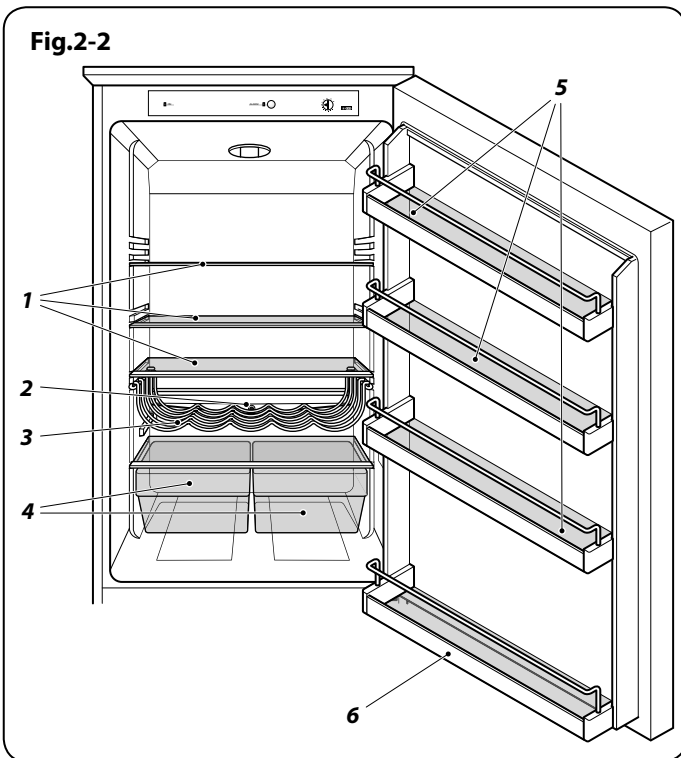


The fridge-freezer is shown in **Fig.2-1** and has the following features:

- Automatic fridge defrost
- Adjustable thermostat
- Egg rack
- Bottle rack
- 4 door shelves
- 4 glass shelves
- 2 crisper drawers
- 3 freezer drawers
- Ice cube tray
- CFC free and frost free
- Reversible doors

Foods that are likely to perish quickly should be placed towards the rear of the appliance – where it is coolest.

Fig.2-2



## About the Fresh Food Compartment

It is recommended to leave storage space between the foods for good cold air circulation. The temperatures in the refrigerator are slightly warmer near the top and colder near the base.

### 1. Shelves

The shelves may be placed in any of the guide slots within the interior of the appliance. They are protected from sliding out.

#### To remove a shelf

**▲** When adjusting the height of a shelf, first remove any food placed on the shelf.

Lift the front of the shelf and carefully pull it out of the grooves.

### 2. Defrost Water Outlet

The interior of the refrigerator is cooled by the cooling plate that is on the rear wall. Beneath this there is a channel and an outlet for the defrost water.

It is important that this channel never becomes clogged (see 'The defrost drain hole' section for a detailed explanation of how to keep the channel clear).

### 3. Bottle Holder

The bottle holder is intended for storing larger bottles (soft drinks, water, etc.) inside the fridge.

The bottle holder maximum load is 10 kg.

**▲** **WARNING:** Always make sure that large bottles do not prevent the door from closing.

### 4. Crisper Drawers and Cover

The crisper drawers are in the bottom of your refrigerator and there is a cover that goes over them.

The cover helps to prevent fruit and vegetables from drying out prematurely.

### 5. Upper Door Shelves

The door liner holds various shelves, which are suitable for storing eggs, cheese, butter and yogurt. They are also suitable for smaller packages such as tubes, cans, etc.

### 6. Bottle Shelf

The lower shelf should be used for storing reasonably sized bottles.

**IMPORTANT:** DO NOT overload the shelves that sit in the door, as this will drastically reduce their working life.

## The Light

The interior light comes on when the door is opened.

The performance of the light is not affected by any of the appliances other settings.

## About the Freezer Compartment

The freezer compartment consists of four drawers (Fig.2-3).

As with the refrigerator, certain areas of the freezer are better for storage of certain foods.

Ice creams and water ices are best stored towards the rear of the appliance where it is coldest.

Large/heavier portions of food, such as meats joints for roasting are best stored in the drawers at the bottom of the appliance, while less weighty items should be stored on the shelves: this is to prevent damage to the appliance.

You should always make sure that food stored is suitable for freezing and that you have stored it securely inside the appliance.

### Defrosting food for cooking

Should food become partially thawed, or defrosted it should be consumed as soon as possible as the quality will be affected by defrosting.

**⚠ Always make sure that food is thoroughly defrosted before cooking and no ice crystals remain. This is especially important for poultry, as this can be extremely harmful to health.**

Always follow the defrosting instructions on packaging when defrosting ready meals: manufacturers' guidelines are always best, as some frozen foods should be cooked from frozen.

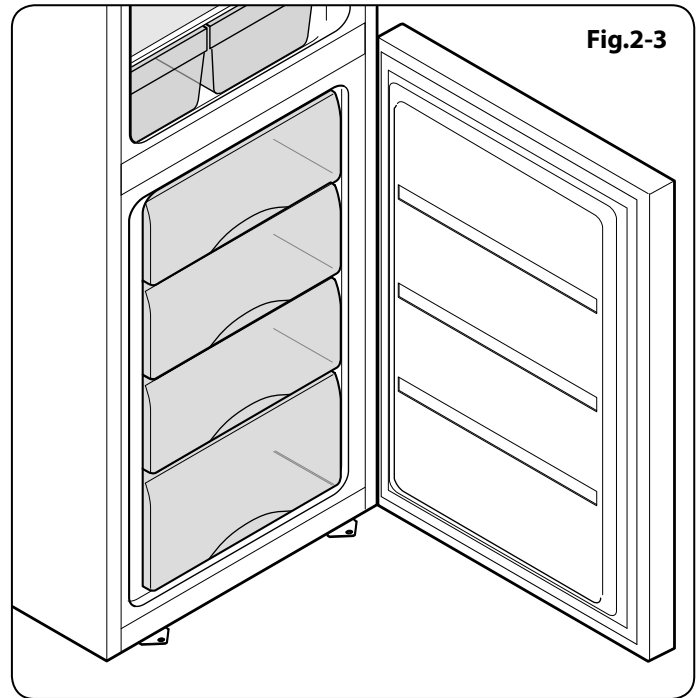
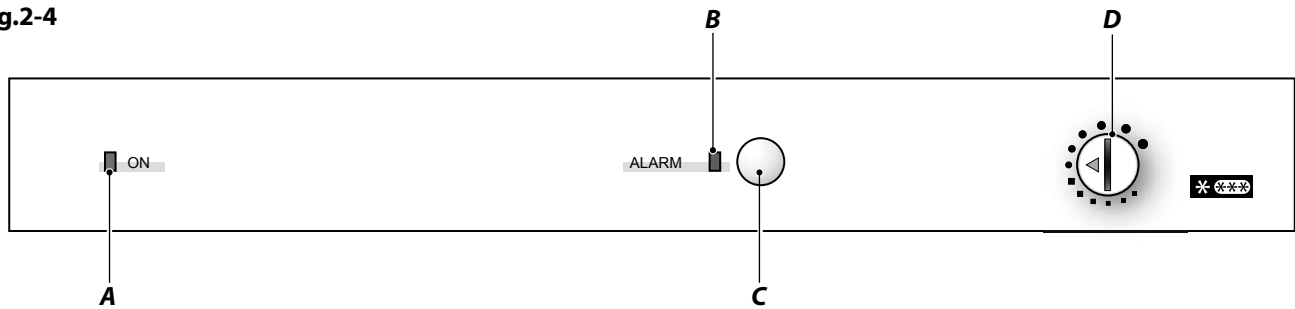


Fig.2-4



A – Power on indicator neon (green)  
B – Warning alarm neon (red)

C – Warning alarm off button  
D – Fridge-freezer thermostat dial

Fig.2-5

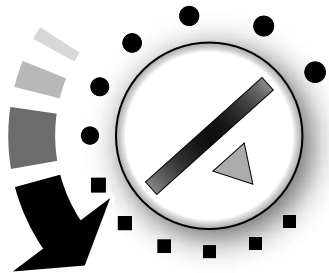


Fig.2-6

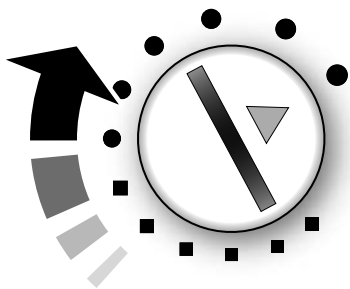
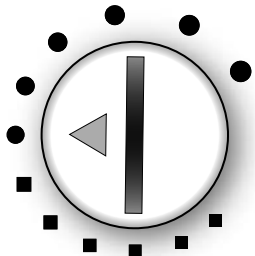


Fig.2-7



## Fridge-Freezer Control Panel

The fridge-freezer control panel (Fig.2-4) is located inside the fridge compartment at the top.

### Power indicator neon (green)

This will light as soon as the appliance is connected to the mains supply.

### Warning alarm neon (red)

This neon will light if the warning alarm has been activated.

## Fridge-Freezer Settings

### Adjusting the Fresh Food Temperature

The thermostat control knob is located on the right-hand side of the control panel.

The thermostat automatically regulates the temperature inside of the fridge-freezer, depending on what setting you have turned the thermostat control knob to:

You should turn the thermostat dial clockwise.

If the arrow is positioned to the smaller dots, then you will get a higher temperature inside the fridge and freezer sections (Fig.2-5).

If the arrow is positioned to the larger dots, then you will get a lower temperature inside the fridge and freezer sections (Fig.2-6).

Ideally the arrow should be set to the midway position (Fig.2-7).

- The refrigerator can maintain a temperature of between 4-6°C.
- The freezer section can cool down to -18°C and lower.

**IMPORTANT:** The ambient temperature of the room, the temperature of the food and the amount of food that has been placed in the appliance and how often the door is opened, will all affect the temperature being maintained by the appliance.

**On the maximum setting, the fridge-freezer will work harder to maintain a lower temperature. There is no need to run the appliance on this setting for long periods and you should return the thermostat knob to the midway position.**



**IMPORTANT: DO NOT** run the appliance with the thermostat on higher settings in normal use otherwise the defrost drain hole will freeze.

## Freezing Fresh Food

To freeze the maximum quantity of fresh food specified, turn the thermostat dial to its maximum position (**Fig.2-8**) a few hours before intending freezing.

For smaller quantities of fresh food, turn the thermostat dial to its maximum position for an hour before intending freezing.

Fresh food should be packed into airtight containers or packaging. This will help to make sure that the food does not dry out or lose its flavour. It will also make sure that flavour does not transfer from other foods.

DO NOT allow fresh food to touch items that are already frozen.

After 24 hours, check that the fresh food is satisfactorily frozen. If so, turn the thermostat dial back to its normal operating position.

## Warning Alarm

Your appliance is equipped with sensors in the fridge and freezer sections which assess the temperature.

If the recorded temperature in either section goes above the temperature set on the thermostat dial, the Warning Alarm neon will light (**Fig.2-9**).

There will also be an audible warning signal to make you aware that the sensors have sensed a temperature rise.

The warning alarm neon will stay switched on until the recorded temperature has fallen to the level set on the thermostat dial.

To silence the audible alarm, press the Warning Alarm off button (**Fig.2-10**).

**Note:** The warning alarm neon will switch on if either of the doors have been open for a period of time or if the thermostat dial has been turned clockwise to a colder setting.

If the Warning Alarm neon stays lit for a prolonged period, then please contact Consumer Services.

## During First Use

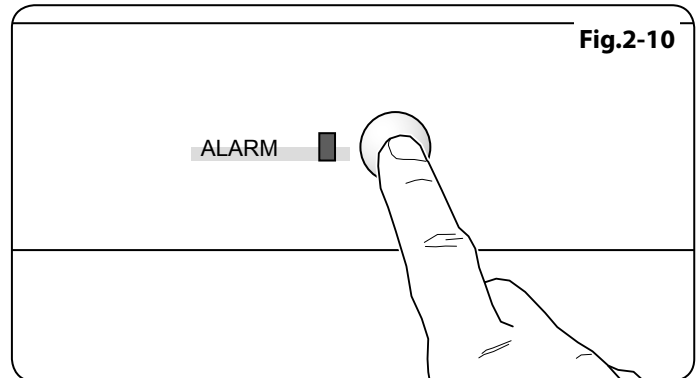
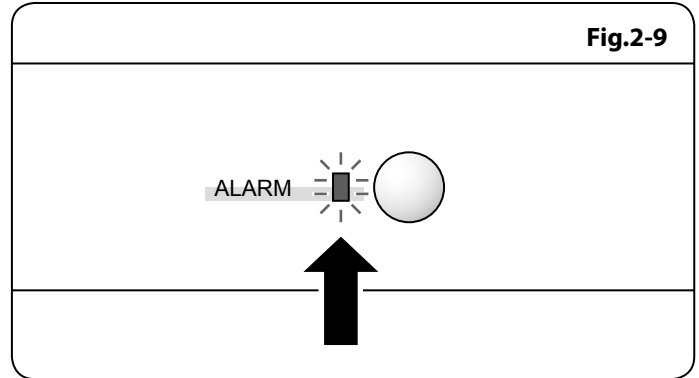
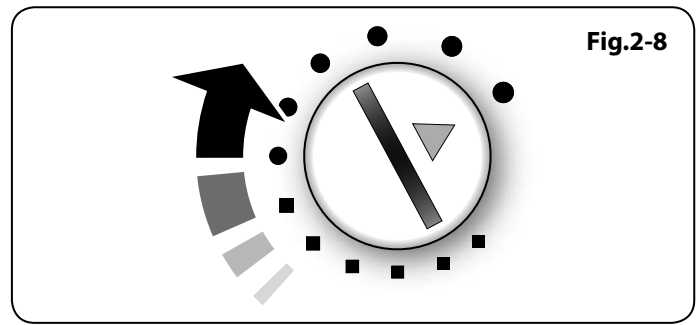
Set the thermostat dial to its maximum setting for 24 hours after switching on the appliance for the first time.

When you first switch on the appliance, the compressor will run continuously for approximately 24 hours or until the fridge freezer reaches a cool enough temperature.

During this time, try not to open the door frequently or place a large amount of food within the appliance.

You should then adjust the thermostat dial down to its normal operating position.

If the unit is switched off or unplugged, you must allow at least 5 minutes before restarting the appliance on the thermostat or connecting it to your mains supply.



## 3. Food Storage Tips

---

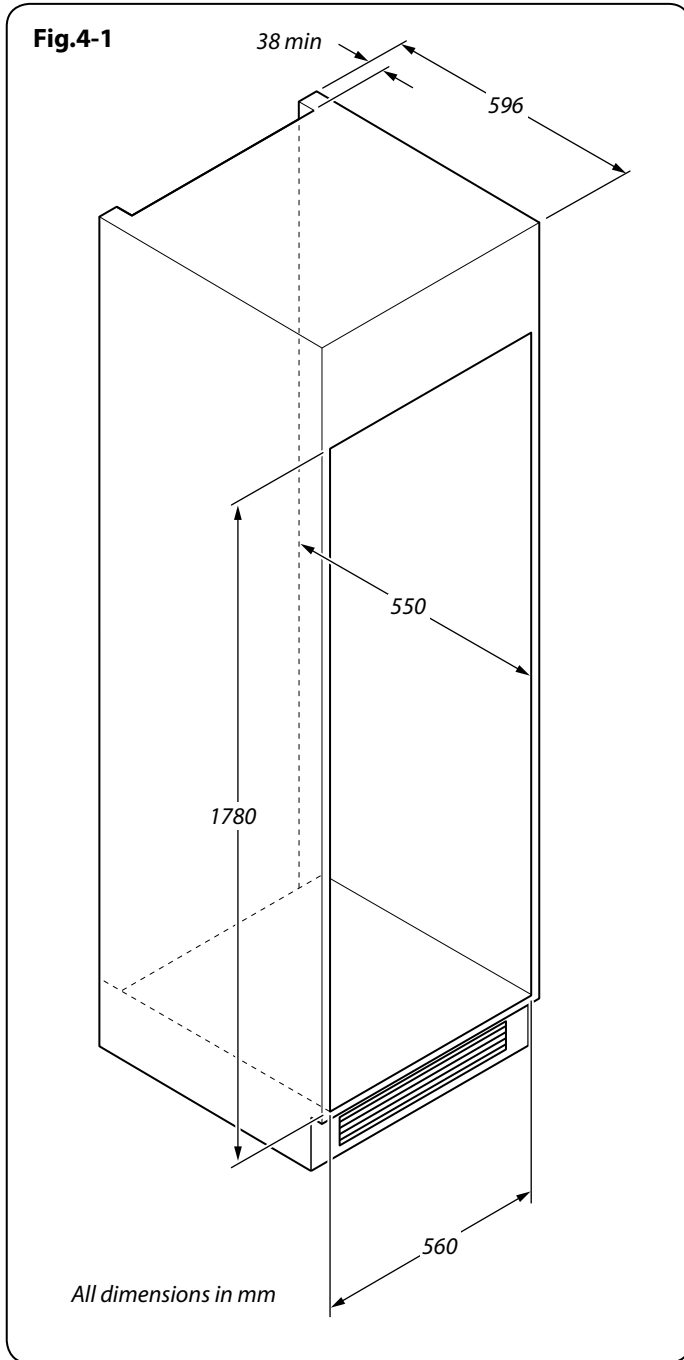
### Tips on Storing Fresh Food

- Make sure that foods, which have been cooked and require chilling, are at room temperature before placing them into the appliance. Make sure that these foods are stored in suitable containers.
  - Foods stored in the refrigerator should be cleaned and dried before storing.
  - Before foods are put into the refrigerator, it is recommended that the foods should be pressurised, so that the water cannot vaporise, and the fruits and vegetables keep fresh and food smells will not mix.
  - Stored foods can be marked in bags.
  - Foods eaten daily should be stored at the front of the shelf.
  - Make sure that foodstuffs are stored systematically (raw meats with raw meats, dairy with dairy) to avoid flavour transfer and cross contamination. Raw meats should be stored towards the bottom of the appliance to prevent the possibility of it dripping onto uncooked food. Other foods should be stored above raw meat.
  - When storing food in the fresh food section always make sure there is adequate space for airflow circulation. This helps to maintain the shelf life of the food.
  - When storing food in the refrigerator make sure that foods are not too close to the rear wall to avoid the risk of freezing.
  - It is suggested for radishes and other root vegetables to trim the leaves. This keeps the nutrition in the root and not absorbed by the leaves.
  - Put frozen foods into the fresh food area to let them defrost. The low temperature of the refrigerator reduces the formation of bacteria and extends food life.
  - Some foods like onions, garlic, bananas and root vegetables are better stored at room temperature than in the fridge.
  - Melon, pineapples and bananas can go directly into the freezer after preparing, for storage over a longer period.
  - Packaging fresh foods properly, using the correct temperature and taking into account food hygiene will enhance the quality of fresh foods stored within this appliance.
  - Use plastic bags, aluminium foil or other food wraps to cover fresh foods not in packaging to prevent flavour transfer and prevent contamination.
  - Before storing items in multi-packs (i.e. yoghurt) remove any excess packaging.
- ⚠ NEVER store anything that is flammable, volatile or explosive inside the appliance.**
- Delicate foods should be stored in the coolest part of the appliance.
  - Try not to open the door too often.
  - Set the thermostat to make sure that foods remain suitably cold; try to avoid freezing within the fridge. Using a thermometer will help you to judge how cool the appliance is. Place it into a glass of water and leave it inside the appliance for several hours to get a reliable reading.
  - Some foods contain natural oils and acids (e.g. citric acid) which can damage plastics if spilled: make sure these foods are suitably contained.
  - Unpleasant odours inside the fridge are a sign that something has spilled and cleaning is required. Using warm water with bicarbonate of soda will clean the interior of the appliance and remove most spillages (see 'Cleaning and Maintenance').
  - Always remember to remove perishable foods from this appliance before taking prolonged trips or holidays.

## Tips on Freezing Food

- As with storing fresh foods, suitable packaging, correct temperature and food hygiene will enhance the quality of the food you are freezing.
- Avoid putting hot foods into the freezer. First let them cool until they reach room temperature.
- Make sure that all foods for freezing are of a high quality, and suitable for freezing.
- Use packaging material that is odourless and airproof (such as plastic bags) to store food in so different foods can be mixed without affecting the quality. Make sure that it is airtight. Leaking packaging will dehydrate the products and lead to loss of beneficial vitamins.
- Keep the surface of the packaging dry: this keeps the packs from freezing together.
- Mark packages with the kind of food contained and the date of storage.
- Food needs to be frozen quickly, so it is best to freeze small portions whenever possible and make sure that they are as cold as possible before storage. The recommended maximum weight for each portion is 2.5 kg.
- Keep food which is fresh away from food which is already frozen, if you need to freeze fresh food every day, make sure that it is in small portions to prevent this.
- DO NOT exceed the maximum load for freezing: which is given as 11 kg / 24 hours (see data badge for details).
- Write the expiry date and food names on the outside of the packaging so you can be assured of the food type and when it is safe to eat.
- Take food from the freezer to defrost when needed. Defrosted food cannot be refrozen unless it is cooked.
- DO NOT put too much fresh food into the freezer at once. This could go beyond the freezer's cooling capacity (see 'Technical Data').
- When storing commercially frozen foods, please follow these guidelines:
  - Always follow manufacturers' guidelines for the length of time you should store food for. DO NOT exceed these guidelines!
  - Try to keep the length of time between purchase and storage as short as possible to preserve food quality.
  - Buy frozen foods, which have been stored at a temperature of  $-18^{\circ}\text{C}$  or below.
  - Avoid buying food which has ice or frost on the packaging. This indicates that the products might have been partially defrosted and refrozen at some point: temperature rises affect the quality of food.
  - Should there be a power cut, or the freezer / refrigeration appliance fail for any length of time you may need to remove food from the freezer and store in a cold, hygienic place (i.e. garage or out house area) until the power is restored, or the appliance is repaired.
  - To prevent undue temperature rises; you should wrap the foods in layers of insulating material, such as newspaper, to help to maintain their temperature. It is also important that any food affected by this situation should be either consumed or cooked and refrozen (where suitable) soon afterwards in order to prevent health risks.
  - Layers of newspaper can also be used to help keep foods cold while you are defrosting the freezer (see cleaning your appliance).

## 4. Installation



### Positioning Your Appliance

**IMPORTANT:** We recommend that two people install this appliance.

### Choosing the Right Location

The appliance should be installed in a location where the ambient temperature corresponds with the climate classification as stated on the rating plate.

Your appliance may not function correctly if the ambient temperature falls outside of the following ranges.

Climate classification	Appropriate ambient temperature
SN	+10 to +32 °C
N	+16 to +32 °C

Avoid exposing the appliance to direct sunlight and sources of heat (such as radiators, heaters or cookers).

The door should be able to open completely and freely.

Locate the appliance so you can easily access the food that is stored in it.

Make sure there is an electrical socket available which will be accessible after your appliance is installed.

**Fig.4-1** shows the minimum opening requirements.

If this appliance is situated in a cold environment (such as a shed, outhouse or garage) it will affect its performance. You may find that the performance of the appliance is not consistent and this may damage foods. **A consistent ambient temperature of 10 °C or above is recommended.**

## Reversing the Doors

The doors of your fridge-freezer can be set to open from the left or the right. If you want the door to hinge on the left-hand side and open from the right-hand side, then follow the procedure below.

**⚠ This procedure MUST be completed before the furniture door is attached.**

When reversing a door, keep any parts that you remove from the appliance for later use.

**⚠ Take care when unscrewing any of the hinges: hold the door to stop it from falling and causing damage.**

### Tools required:

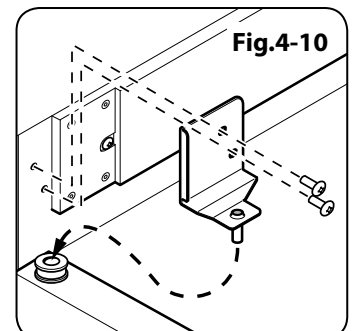
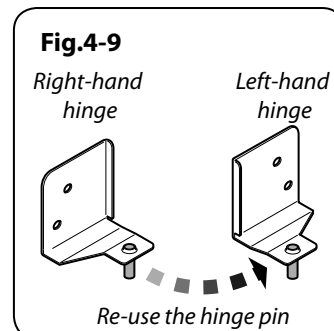
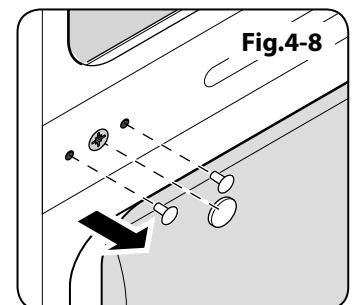
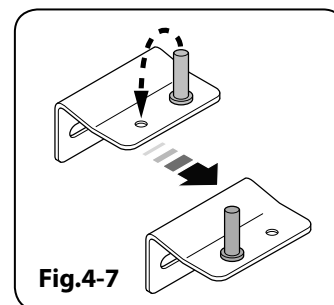
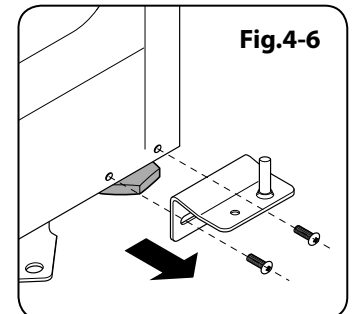
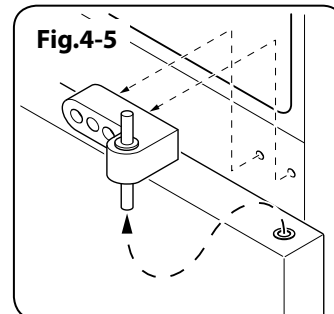
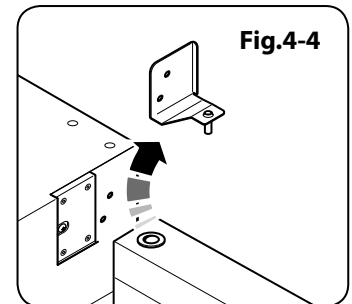
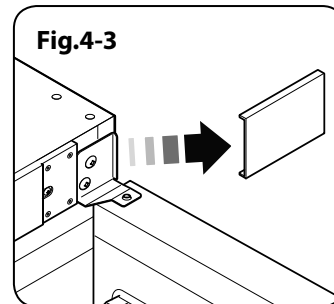
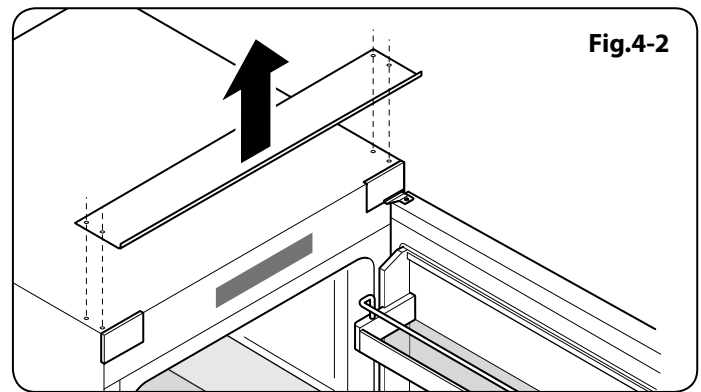
- Phillips screwdriver
- Flat bladed screwdriver
- Pliers

### Procedure

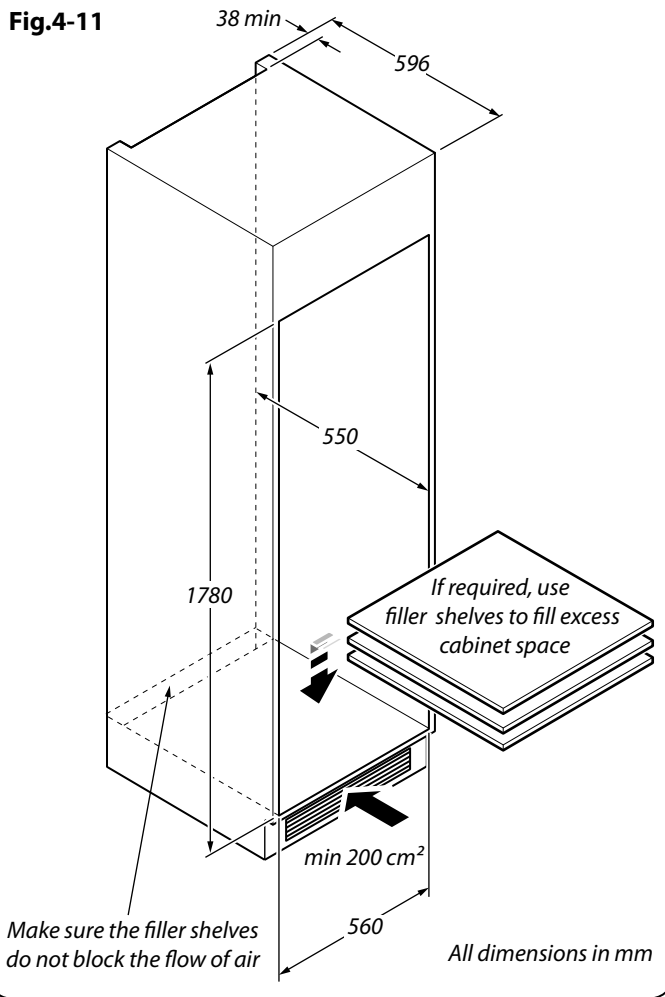
1. Undo the screws in the top of the upper support bracket and remove. Slide the support bracket forwards and remove (**Fig.4-2**).
2. Using a suitable flat bladed screwdriver, carefully lever off the hinge cover cap (**Fig.4-3**).
3. Undo the upper hinge fixing screws and remove the hinge (**Fig.4-4**).
4. Remove the fridge door by lifting it up and away from the middle hinge. To stop the door from being damaged, place it on a cushioned surface.
5. Undo the middle hinge fixing screws and remove the hinge (**Fig.4-5**).
6. Remove the freezer door by lifting it up and away from the lower hinge. To stop the door from being damaged, place it on a cushioned surface.
7. Undo the lower door hinge screws and remove the hinge (**Fig.4-6**). Remove the pin from the hinge and fit it into the left-hand hole (**Fig.4-7**). Refit the lower hinge on the left-hand side.

**IMPORTANT:** The position of the hinge pin MUST be changed from the right hole to the left hole.

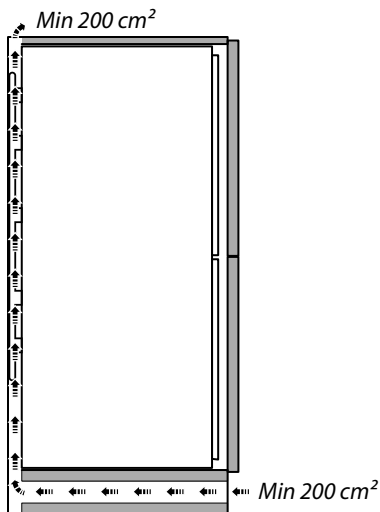
8. Using a suitable flat screwdriver, carefully remove the screw cap and remove the screw hole covers (**Fig.4-8**). Retain the screw cap and screw hole covers for use on the opposite side of the appliance.
9. Refit the freezer door.
10. Refit the middle door hinge onto the left-hand side. Fit the screw cap and screw hole cover to the right-hand middle hinge position.
11. Take the upper hinge and remove the pin. Fit the pin to the new left-hand hinge: this is in the fixing kit (**Fig.4-9**).
12. Refit the refrigerator door and install the new door hinge bracket (**Fig.4-10**).
13. Refit the upper support bracket.



**Fig.4-11**



**Fig.4-12**



**IMPORTANT:** After you have completed reversing the door, check that the door opens and shuts correctly without fouling.

You should also check the appliance door seals. The seal should not be creased or crushed; otherwise there will be a gap between it and the inside of the door.

The seal must bond properly all the way around the door. If the seal is not bonding to the appliance properly, then you should either:

- A.** Use a warm damp cloth and adjust the seal until it bonds to the appliance properly, all the way around the door, or
- B.** Use a hair dryer on its lowest heat setting and lightly heat the areas of the door seal that are not bonding correctly. The heat will make the seal more pliable and this will allow you to adjust the seal into the correct position.

**IMPORTANT:** DO NOT heat the door seal on anything but the lowest heat setting or heat the seal for a long period of time, otherwise you may damage the door seal, which would NOT be repaired under the guarantee free of charge.

The appliance must be stood on a level floor. You can use the levelling feet to take into account any minor unevenness in the floor.

## Fitting into a Cabinet Unit

### Cabinet dimensions and ventilation requirements

The cabinet dimensions for the appliance are shown in (Fig.4-11).

**IMPORTANT:** The clearance height must be exactly 1780 mm. If necessary, use extra filler shelves to fill any excess space in your cabinet.

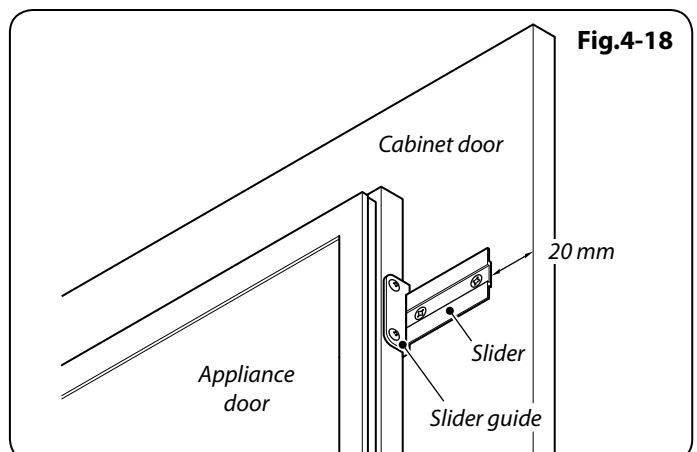
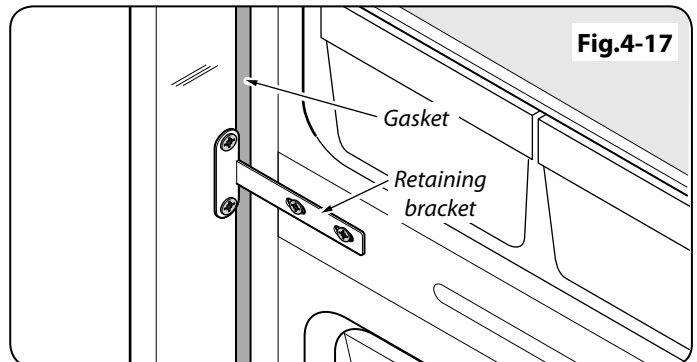
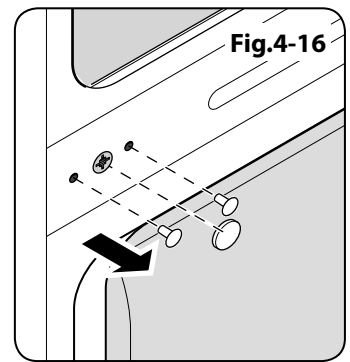
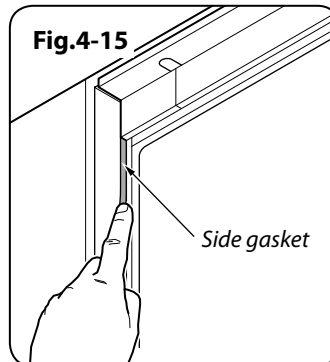
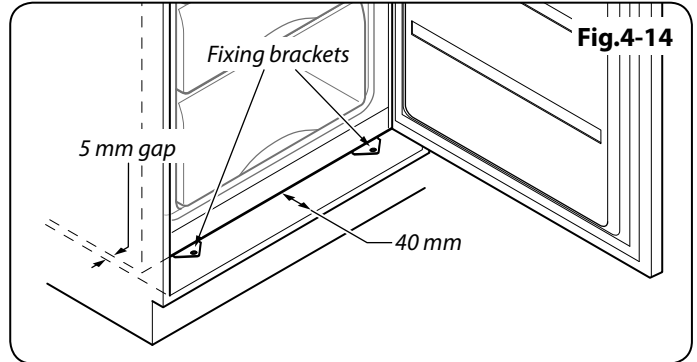
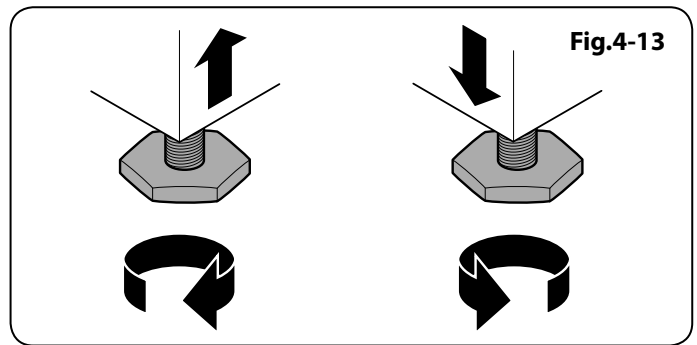
The cabinet space MUST have a minimum of 200 cm<sup>2</sup> free airflow for ventilation (Fig.4-12). **The appliance will not function properly without ventilation.**

## Installing your fridge-freezer

1. Fit the appliance towards the left-hand side of the housing unit, leaving a gap of approximately 5 mm.
2. This fridge-freezer has front adjustable feet, which can be used to level the appliance.  
Using a suitable spanner, adjust the feet. Turn the spanner clockwise to raise the feet and counter-clockwise to lower the feet (**Fig.4-13**).  
The appliance should be flush with the underside of the housing unit.
3. Fix the appliance to the top shelf of the housing unit. This will help to keep the appliance vertically parallel with the décor doors.
4. Adjust the appliance so that it measures 40 mm between the appliance front edge and the front edge of the housing unit (**Fig.4-14**). Fix the appliance in position.
5. Trim the side gasket to the appropriate size and insert it into the 5 mm gap on the left-hand side of the appliance (**Fig.4-15**).
6. Remove the screw caps and the screw (**Fig.4-16**).
7. Fix the bracket supplied with the fixing kit into position (**Fig.4-17**).
8. Fit the slider guides on the edge of the appliance doors (there are 2 slider guides per door). Insert the sliders into the slider guides.
9. Mark the distance from the front edge of the furniture door to the edge of the slider. This measurement should be approximately 20 mm (**Fig.4-18**).
10. Fix the sliders into position; the screws must be fully tightened.
11. Check that both furniture doors open and close properly without fouling on the cabinet.

**IMPORTANT:** Make sure that the doors of the appliance and the door seals are shutting properly against the body of the fridge freezer.

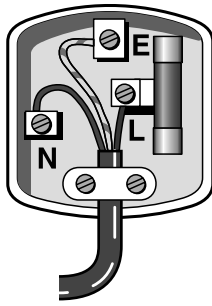
To check, close the door seal onto a thin strip of paper (about 25–50 mm wide) and confirm that the seal grips the paper.



**Fig.4-19**

**Earth:** to the terminal marked E, coloured Green/Yellow

**Neutral:** to the terminal marked N, coloured Blue



**Live:** to the terminal marked L, coloured Brown

## Electrical Supply Connection

**⚠ Your refrigerator is intended as a permanent installation.**

Connect the appliance to the electrical supply (220–240V ~ 50 Hz) with the plug and lead, which are fitted.

Connections to the mains supply should be in accordance with local regulations.

**⚠ WARNING: THIS APPLIANCE MUST BE EARTHED**

All external wiring must comply with the IEE Regulations for the Electrical Equipment of Buildings. The appliance is supplied with a 3-core cable 2 m long. If a replacement cable is fitted it must be 250V high temperature PVC (85 °C), 1 mm<sup>2</sup>.

Should the plug not fit the socket in your home, it should be removed and replaced with a suitable plug.

**Note:** If the plug is fitted is not suitable, it must be cut off and disposed of properly. To avoid the risk of electrocution, the plug must not be left where children might find it and plug it into a supply socket.

Three pin plugs to BS 1363 with a capacity of not less than 13 A must be used and fitted with a 13 amp fuse 'ASTA' approved to BS 1362.

You **MUST** refit the cover after replacing the fuse. If the cover is lost, the plug **MUST NOT** be used until a replacement cover has been obtained from your supplier. The colour of the correct fuse carrier is that of the coloured insert in the base of the fuse recess, or stated elsewhere on the plug. Always state this colour when ordering a replacement fuse carrier.

**IMPORTANT:** The wires in the mains lead are coloured in accordance with the following code (Fig.4-19):

Green and yellow:	EARTH
Blue:	NEUTRAL
Brown:	LIVE



## 5. Cleaning and Maintenance

### Cleaning

**⚠** Disconnect the appliance from the power supply before cleaning.

To maintain a high performance level, occasionally clean the condenser coils at the back of the appliance.

Defrost the appliance regularly. A build up of thick ice decreases the efficiency of the appliance. You should defrost whenever the frost reaches 5 mm thickness.

To keep internal odours to a minimum it is best to periodically clean the compartment.

Clean the interior using warm water and bicarbonate of soda with a soft cloth. Make sure that the interior is then dried carefully with a suitable cloth.

**⚠** DO NOT use harsh abrasives, or aggressive cleaners as these can damage the interior of the appliance.

Shelves and other accessories can be cleaned in the sink using liquid dishwashing liquid and warm water. Make sure all soap is rinsed off and all parts are dry before replacing them inside the appliance. **DO NOT clean them in a dishwasher.**

Always keep the door seals clean. Clean the door gasket with warm water or a neutral detergent that leaves no residue. A tight-sealing door gasket is critical to the efficiency of your appliance.

**⚠** DO NOT spray or rinse the freezer with water or other liquids. This could harm the electrical parts.

**⚠** Use a dry cloth when cleaning near the electrical parts.

**⚠** DO NOT clean the appliance with a stiff or wire brush.

**⚠** DO NOT use an organic solvent such as detergent, petrol, lacquer, thinners, acetone or acid.

**⚠** To prevent your skin sticking to cold steel parts, make sure your hands are not wet when touching the parts.

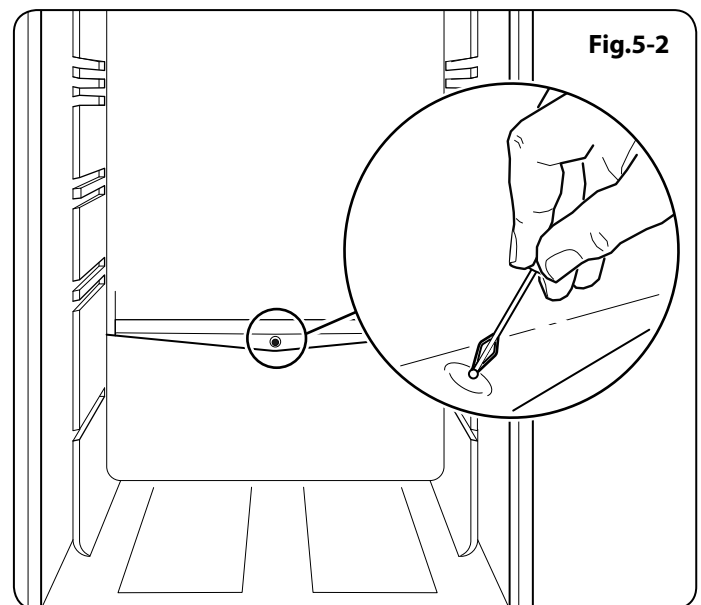
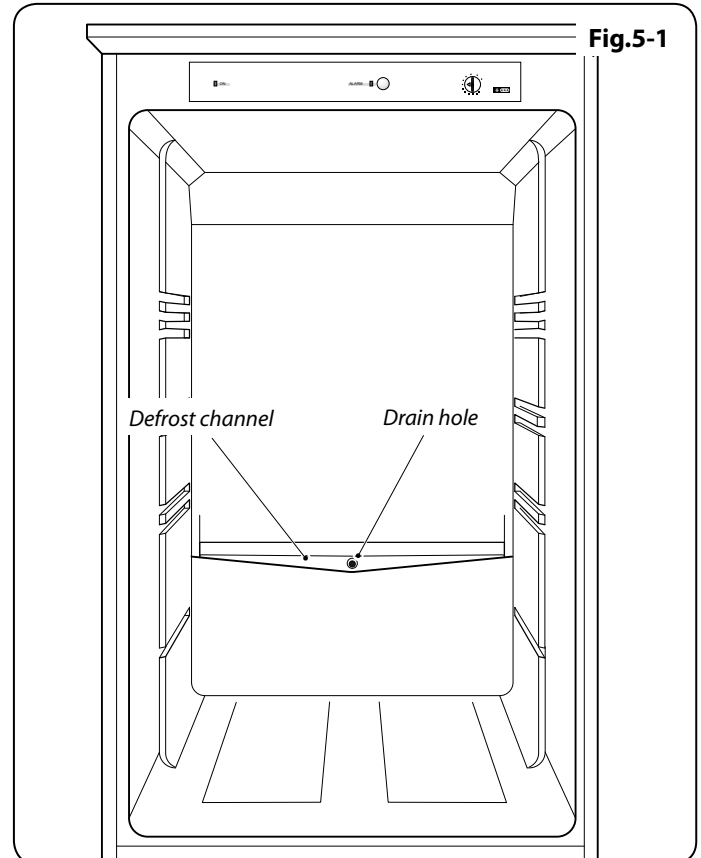
**⚠** DO NOT use HOT water to clean the glass shelves, as they may break or crack.

### The Defrost Drain Hole

Defrosting occurs automatically in the refrigerator compartment during operation. The defrost water is collected by the evaporating tray (**Fig.5-1**) and evaporates automatically.

The drain hole (**Fig.5-2**) should be cleaned periodically with the drain hole cleaner. This will prevent water from collecting in the bottom of the refrigerator, instead of flowing down the defrost drainage channel and drain hole.

**IMPORTANT:** Please note that the drain hole cleaner should not be left in position permanently. Otherwise this may prevent the defrost water from entering the drain hole.



You can also pour a small amount of water down the drain hole to clean the defrost drainage channel.

You should be careful to make sure that food packages do not touch the rear wall of the appliance, as this can interrupt the automatic defrosting process and deflect water into the base of your refrigerator.

Use a solution of bicarbonate of soda and lukewarm water to clean the evaporating tray.

**IMPORTANT: It is normal to get some ice droplets forming on the back wall of the appliance. The formation of ice droplets does not indicate an appliance fault.**

## Defrosting

Your appliance is frost free, so you will not need to manually defrost the freezer section.

However if, for example, the door is left open for a long period of time or the door gasket is not sealing correctly, then ice could build up in the freezer section. If this occurs, then follow the steps below and perform a manual defrost.

The day before you defrost, turn the thermostat dial to its maximum setting. This will make sure that the food contained in the freezer is frozen properly.

While defrosting the appliance, remove the food from the freezer, wrap it in several layers of paper and store it in a cool place. The temperature rise in foods will shorten its storage life, so the food should be used within a relatively short time.

**⚠ DO NOT place food back in the freezer once it has started to thaw.**

Disconnect the appliance from the mains supply.

Remove the drawers and leave the door to the freezer open. You can place a bowl of warm water inside the freezer section to speed up the defrost process.

Use a sponge to mop up the defrost water that will run into the bottom of the freezer.

**IMPORTANT: You should place some old towels on the flooring that is immediately in front of the appliance. In case any defrost water comes out of the freezer section and onto the floor.**

Once all the ice has melted, thoroughly dry the inside of the freezer.

**IMPORTANT: If the inside of the freezer is not dry, then there will be an immediate build-up of ice when the appliance is switched back on.**

With dry hands, reconnect the appliance to the mains supply. Set the thermostat knob to its maximum setting for 24-hours, before returning it to the normal setting.

**⚠ DO NOT attempt to freeze fresh food inside the freezer until after the 24-hours.**

**⚠ DO NOT use sharp metal objects to remove the ice on the freezer, as this could cause damage to the refrigerant system.**

**⚠ DO NOT use mechanical devices (such as hair dryers) to accelerate the defrosting process.**

## Replacing the Light Bulb

**⚠** Disconnect the appliance from the power supply before replacing the light bulb.

There is an interior light in the top of the refrigerator section.

Remove the bulb housing cover, by gently pulling the clip away from its slot (**Fig.5-3**). Then slide the cover off, removing the lugs on the cover from the bulb housing.

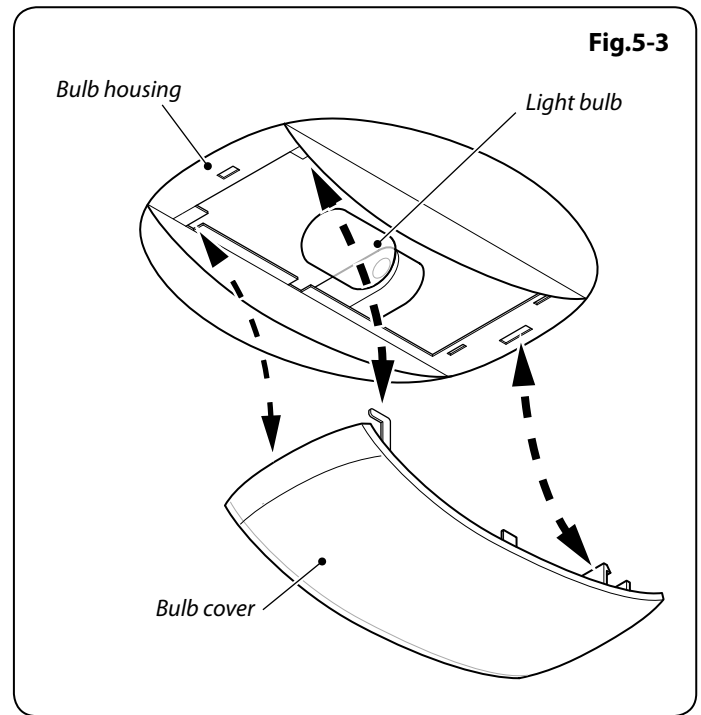
Change the present light bulb with a new one. The replacement bulb should not have a greater rating than 15 W.

Replace the light cover and after waiting five minutes, reconnect to the mains supply.

## When Not in Use

If you are not using the appliance for an extended length of time, it is recommended that you switch off the electrical supply, empty any food out, clean the inside of the appliance and leave the door ajar.

This will save energy, and also prevent a build up of stale odours inside.



## 6. Troubleshooting

**IMPORTANT:** If your fridge-freezer does not appear to be operating properly, please refer to the checklist below before contacting Consumer Services.

<p><b><i>My fridge-freezer does not appear to be working / there is no power to my appliance</i></b></p>
<ul style="list-style-type: none"> <li>• Check that the plug is fully inserted into the power socket.</li> </ul>
<ul style="list-style-type: none"> <li>• Check that there is power to your mains supply (e.g. that there has not been a power cut or that the fuse has not blown).</li> </ul>
<ul style="list-style-type: none"> <li>• Check that the thermostat inside the appliance has not been turned to the OFF position.</li> </ul>
<ul style="list-style-type: none"> <li>• Check that your mains supply voltage, corresponds to the voltage stated on the rating plate of your appliance.</li> </ul>
<p><b><i>My fridge-freezer appears to be performing poorly</i></b></p>
<ul style="list-style-type: none"> <li>• Check that the appliance is not overloaded and that food has not been packed too tightly into it.</li> </ul>
<ul style="list-style-type: none"> <li>• The thermostat setting is too low: you should turn the thermostat up higher.</li> </ul>
<ul style="list-style-type: none"> <li>• Make sure that the door is closing properly and that the door has not been opened for a long period in error.</li> </ul>
<ul style="list-style-type: none"> <li>• Make sure that there is sufficient ventilation for your appliance.</li> </ul>
<p><b><i>My fridge-freezer is noisy</i></b></p>
<ul style="list-style-type: none"> <li>• The refrigerant gas that circulates the pipework of the appliance may make a slight noise, even if the compressor is not running.</li> </ul>
<ul style="list-style-type: none"> <li>• If the noise worsens or the appliance gets louder than normal check that it is levelled off correctly, that nothing is touching the rear of the freezer and that nothing placed inside the appliance is rattling.</li> </ul>
<p><b><i>Ice has formed on the inner back wall of my fridge</i></b></p>
<ul style="list-style-type: none"> <li>• Check that food has not been pushed too far back inside the appliance, so that it is in contact with the inner back wall.</li> </ul> <p><b>IMPORTANT:</b> It is normal to get some ice droplets forming on the back wall of the appliance. The formation of ice droplets does not indicate an appliance fault.</p>
<p><b><i>There is water in the base of the fridge or leaking out of the fridge</i></b></p>
<ul style="list-style-type: none"> <li>• See 'The Defrost Drain Hole' section in 'Cleaning and Maintenance'.</li> </ul>

**IMPORTANT:** If your appliance appears not to be operating correctly, then you should disconnect it from your mains supply and then contact Consumer Services.

**⚠ DO NOT ATTEMPT TO REPAIR THE APPLIANCE YOURSELF.**

**Please note that if an engineer is asked to attend while the product is under guarantee and finds that the problem is not the result of an appliance fault, then you may be liable for the cost of the call out charge.**

**The appliance must be accessible for the engineer to perform any necessary repair. If your appliance is installed in such a way that an engineer is concerned that damage will be caused to the appliance or your kitchen, then he will not complete a repair.**

**This includes situations where appliances have been tiled in, sealed in with sealant or any installation other than the one specified has been completed.**

**Please refer to the conditions of guarantee that appear on the warranty card that you receive with the appliance.**

## **7. Warranty/After Sales Service**

---

If consultation or technical assistance is needed, please provide the local authorised service agent with the purchase invoice and the product code/serial number.

The product number/serial number is located inside the refrigerator on the top left-hand side.

The 2 years free maintenance for the operation of the appliance started from the date of purchase of this product.

Any cosmetic damage to the appliance must be reported within 90 days of delivery.

For in-warranty service please call: **0845 6035312**.

For general enquiries please call: **0870 7895107**.

## 8. Technical Data

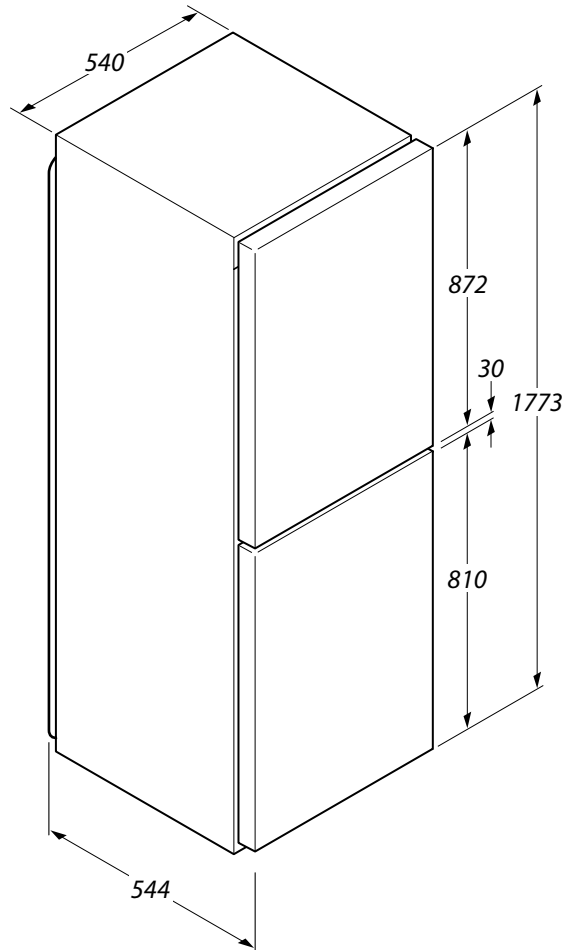
**INSTALLER:** Please leave these instructions with the user.

**DATA BADGE LOCATION:** Front left-hand side of the freezer compartment.

**COUNTRY OF DESTINATION:** GB/IE

### Dimensions

All dimensions in mm.



### Ratings

<b>Electrical – voltage/frequency</b>	220-240 V / 50 Hz
<b>Energy efficiency class</b> on a scale of A (more efficient) to G (less efficient)	A
<b>Climate class</b> (SN = 10-32 °C, N = 16-32 °C, ST = 18-38 °C, T = 18-43 °C)	SN-N
<b>Freezer compartment star rating</b>	*/***
<b>Temperature range</b> (from > to)	< -18 °C / 0-10 °C
<b>Gross capacity</b>	262 litres
<b>Fridge net capacity</b>	158 litres
<b>Freezer net capacity</b>	91 litres
<b>Freezer capacity / 24 hours</b>	4.5 kg / 24 hours
<b>Energy consumption / year</b>	334 kWh / year
<b>Energy consumption (EN153)</b>	0.92 kWh / 24 hours
<b>Max noise level</b>	45 dB(A)
<b>Maximum storage time by power failure</b>	> 5 hours



## **AGA RANGEmaster**

Clarence Street, Royal Leamington Spa,  
Warwickshire, CV31 2AD, England.

Tel: +44 (0) 1926 457400 Fax: +44 (0) 1926 450526

E-mail: [consumers@rangemaster.co.uk](mailto:consumers@rangemaster.co.uk)

