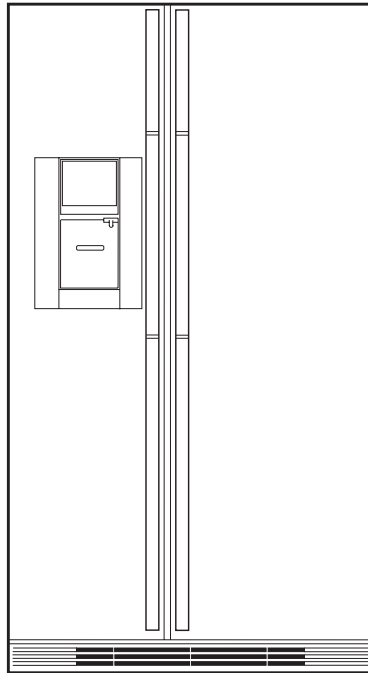


**FACTORY PARTS CATALOG
SIDE BY SIDE
REFRIGERATOR**

TAPPAN



PRODUCT NO.	BASE MODEL NO.	SERIES	COLOR	VOLTS
TRS20WRHD0	TRS20WRH	R134a	almond	115
TRS20WRHW0	TRS20WRH	R134a	white	115

MARKET

North America

**WIRING DIAGRAM - # 218875901
OWNER'S GUIDE - # 218947500
SERVICE DATA SHEET - # 218905000**

FRIGIDAIRE
HOME PRODUCTS

101 Masters Blvd.
Anderson, SC 29624

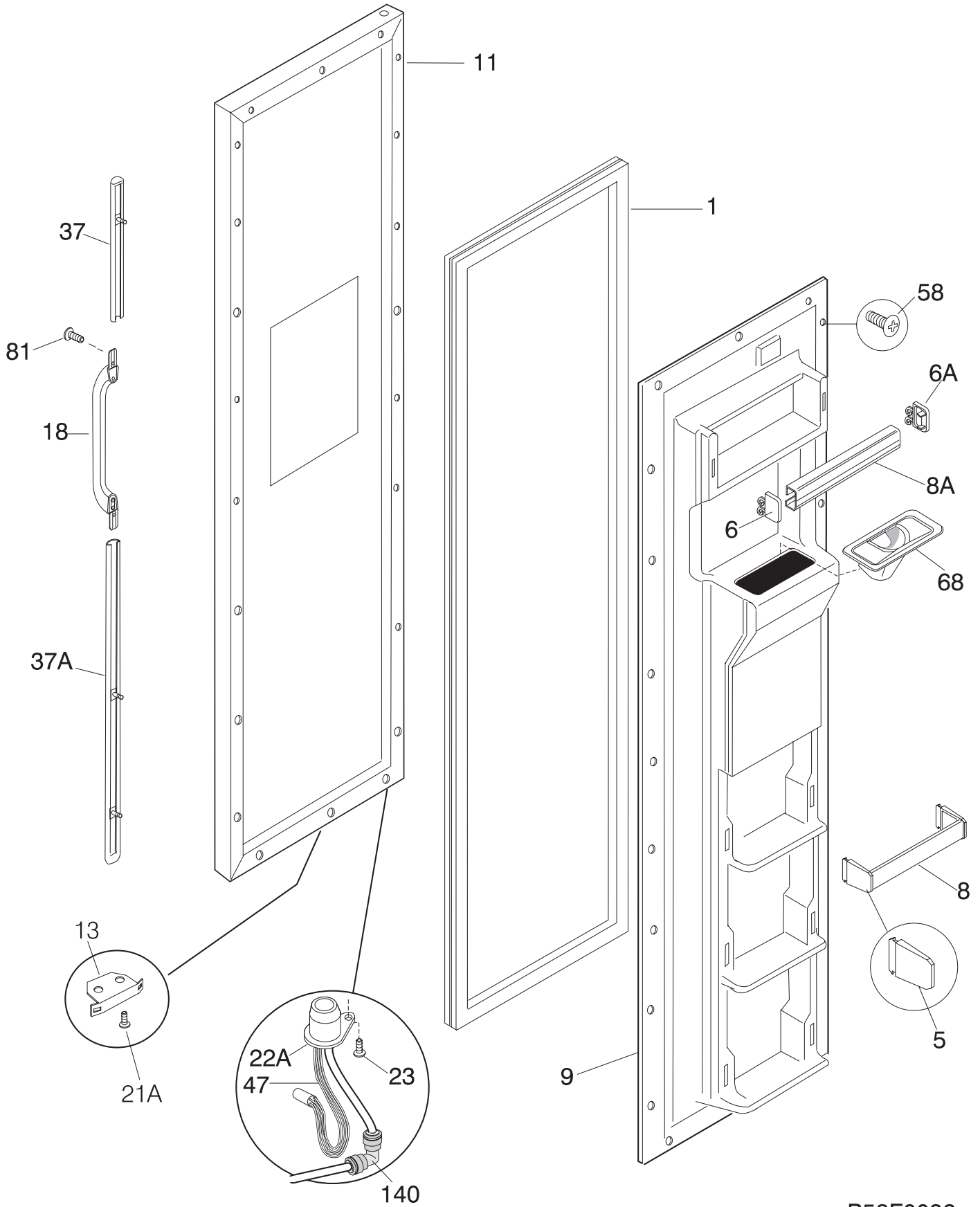
Publication No.
5995324760
990611
-EN/SERVICE/KB
357

**SIDE BY SIDE
REFRIGERATOR**

**Model No.
TRS20WRH**

©1999 White Consolidated Industries, Inc.
All rights reserved

FREEZER DOOR



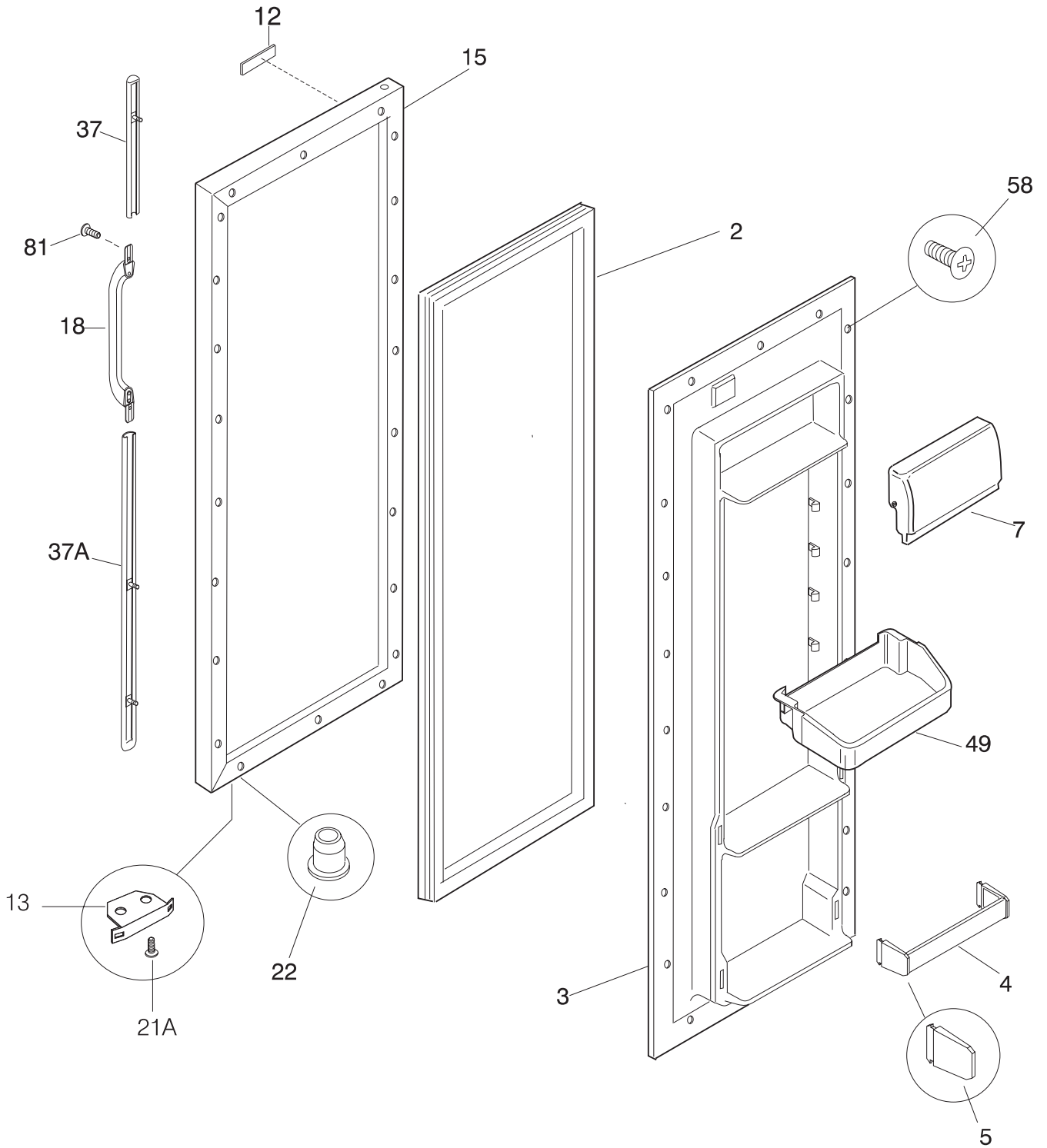
P58F0032

FREEZER DOOR

A = TRS20WRH (TRS20WRHD0)
B = TRS20WRH (TRS20WRHW0)

POS. NO	PART NO		DESCRIPTION
1 #	215734301	A -	Gasket-frzr door,almond ,magnetic
1 #	215734311	- B	Gasket-frzr door,white ,magnetic
5	215473601	A B	Support-door rack,RH/LH
6	5303324303	A B	Support-door rack,LH
6A	5303324321	A B	Support-door rack,RH
8	215366029	A B	Rack-door
8A	215806341	A B	Rack-door
9	218748601	A B	Panel-inner door,frzr
13	5303289522	A B	Door Stop
11	5303918137	A -	Panel-ext frzr door, almond, w/foam insulatn
11	5303918136	- B	Panel-ext frzr door, white, w/foam insulatn
18	218668402	A -	Handle-door,almond
18	218668401	- B	Handle-door,white
21A	218578600	A B	Screw-door stop mtg,phl truss hd, 10-16 x 3/4
22A	215615300	A B	Bushing-door,bronze
23	5303001020	A B	Screw,cr flat head ,8-32D x 1/2
37	215867085	A -	Trim-handle, almond, upper, with snap lock
37	215867083	- B	Trim-handle, white, upper, with snap lock
37A	215867084	A -	Trim-handle, almond, lower, with snap locks
37A	215867082	- B	Trim-handle, white, lower, with snap locks
37A*	215782300	A B	Lock-handle trim,snap-in
37A*	215940700	A B	Lock-handle trim,stick-on
47	218895301	A B	Harness-wiring,frzr door
58	218781100	A B	Screw,pan head ,8-18 x 0.625
68	218020600	A B	Chute-ice
81	5308016566	A B	Screw,hex wshr hd ,8-15A x 0.625, low profile
140	218518700	A B	Elbow-water tube
*	215598900	A B	Washer-flat, .691 x 1 x .05, zinc, I&W hinge brkt
*	5303917276	A B	Insulation-door, fiberglass ,(bulk)

REFRIGERATOR DOOR



P58R0059

REFRIGERATOR DOOR

A = TRS20WRH (TRS20WRHD0)
B = TRS20WRH (TRS20WRHW0)

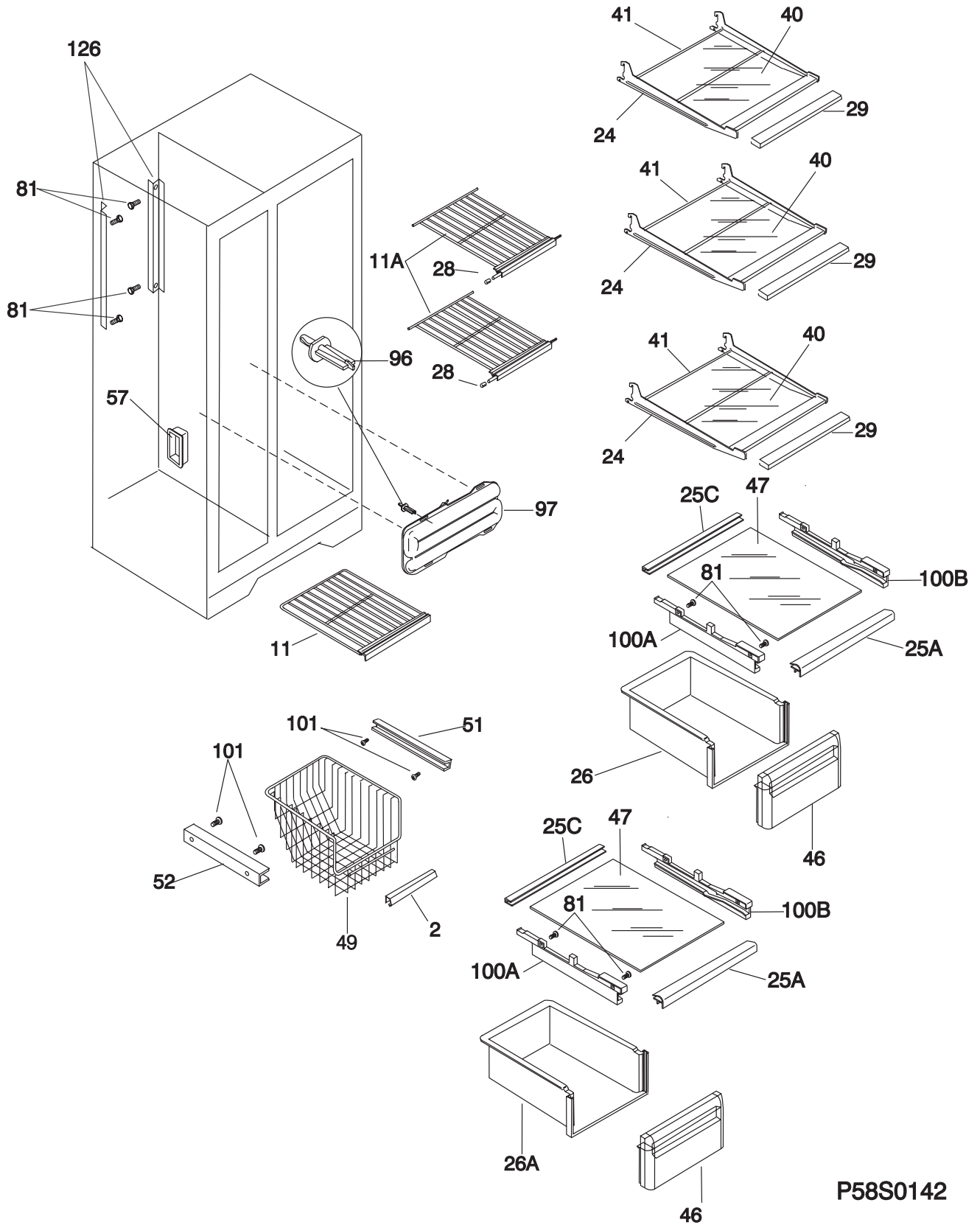
POS. NO	PART NO		DESCRIPTION
2 #	215734302	A -	Gasket-refr door,almond ,magnetic
2 #	215734312	- B	Gasket-refr door,white ,magnetic
3	218749301	A B	Panel-inner door,refr
4	5304412774	A B	Rack-door
5	215267701	A B	Support-door rack,"2-liter" ,RH/LH
7	215058105	A B	Door-dairy,13" wide
12	218504716	A -	Nameplate Assy
12	218504715	- B	Nameplate Assy
12*	218428205	A -	Frame-nameplate,almond
12*	218428204	- B	Frame-nameplate,white
12*	215220318	A -	Label-nameplate,almond
12*	215220317	- B	Label-nameplate,white
12*	5315340712	A B	Tape, adhesive, 12" long, foam, double-faced
13	5303289522	A B	Door Stop
15	5303917882	A -	Panel-refr door,almond ,w/foam insulatn
15	5303917881	- B	Panel-refr door,white ,w/foam insulatn
18	218668402	A -	Handle-door,almond
18	218668401	- B	Handle-door,white
21A	218578600	A B	Screw-door stop mtg,phl truss hd, 10-16 x 3/4
22	5303289320	A B	Bearing-hinge
37	215867085	A -	Trim-handle, almond, upper, with snap lock
37	215867083	- B	Trim-handle, white, upper, with snap lock
37A	215867084	A -	Trim-handle, almond, lower, with snap locks
37A	215867082	- B	Trim-handle, white, lower, with snap locks
37A*	215782300	A B	Lock-handle trim,snap-in
37A*	215940700	A B	Lock-handle trim,stick-on
49	5303299395	A B	Bin-door,gallon
58	218781100	A B	Screw,pan head ,8-18 x 0.625
81	5308016566	A B	Screw,hex wshr hd ,8-15A x 0.625, low profile
*	5303917276	A B	Insulation-door, fiberglass ,(bulk)

CABINET

A = TRS20WRH (TRS20WRHD0)
B = TRS20WRH (TRS20WRHW0)

POS. NO	PART NO		DESCRIPTION
10	218748901	A B	Cover-air duct
10*	5303209814	A B	Nut,"U" type ,8-15(A) ,fan mtr mtg
10A	218751301	A B	Cover-evap coil,lower
11	5303208309	A B	Plug-hole,factory test
12	215230400	A B	Plug-harness hole
18	5303289043	A B	Support-air duct cvr,2.55" long
18*	5303289044	A B	Support-air duct cvr,1.83" long
28	5303289062	A B	Bolt-roller adj,hex head ,5/16-24 x 7/8
29	215003200	A B	Washer,40 x .63 x .16 ,nylon
29	215598900	A B	Washer-flat, .691 x 1 x .05, zinc, I&W hinge brkt
29*	215314301	A B	Washer,40 x .75 x .06 ,nylon
29*	218871201	A B	Washer,nylon ,0.363 ID w/nibs
30	5303289060	A B	Bracket-lower hinge,RH ,w/hinge pin
30*	218730800	A B	Tapping Plate,RH
30A	215009000	A B	Bracket-lower hinge,LH ,w/hinge pin
30A*	218730700	A B	Tapping Plate,LH
37	5303321082	A -	Trim-cabinet corner, almond
37	5303321081	- B	Trim-cabinet corner, white
38	218215221	A -	Bracket-upper hinge, with closer, almond, RH
38	218215223	A -	Bracket-upper hinge, with closer, almond, LH
38	218215213	- B	Bracket-upper hinge, with closer, white, RH
38	218215215	- B	Bracket-upper hinge, with closer, white, LH
40	5303318774	A -	Cover-upper hinge,almond
40	5303318773	- B	Cover-upper hinge,white
41	5303001609	A B	Grommet,shelf/rod mtg ,RH
41*	5308009759	A B	Grommet,shelf mtg ,LH
43	218615300	A B	Roller Assy,front ,(2)
43*	5308017044	A B	Screw-roller mtg,spcl ind hex hd,5/16-18(23)x7/8
44	218738300	A B	Roller Assy,rear ,(2)
47	218659500	A B	Channel-shelf mtg,side ,(2)
52	215454600	A B	Tube-water inlet
58	5308002748	A B	Screw, hex wshr hd, 8-15A x 0.500, special
66	215050201	A B	Damper-meat keeper
66A	218171301	A B	Cover-meat kpr dmpr
71	218515401	A B	Clip-grille
72	218359614	A -	Grille/Kickplate,almond
72	218359613	- B	Grille/Kickplate,white
77	5303001216	A B	Washer-nylon,3/16 x 5/8 OD
78	5303274237	A B	Screw-bracket,hex wshr hd, 8-32CA x 0.500
80	218249802	A B	Seal-coil cover,(2)
80*	218154003	A B	Gasket-air duct cvr
81	5308016566	A B	Screw,hex wshr hd ,8-15A x 0.625, low profile
85	218359803	A -	Cover-lower hinge,almond
85	218359801	- B	Cover-lower hinge,white
89	5303288947	A B	Cover-machine compt
90	215022602	A B	Seal-foam
90*	5303322647	A B	Tape-foam
91	218769900	A B	Deflector-air,air duct cover
92	5303001479	A B	Screw-hinge mtg,hex hd ,1/4-20 x 0.875
101	218663103	A B	Gasket-air duct cvr
101*	218663102	A B	Gasket-air duct/liner
*	218902101	A B	Cap-protector, lower hinge
*	5303305325	A -	Paint,touch-up ,almond
*	5303305324	- B	Paint,touch-up ,white
*	5308009617	A B	Washer,ext tooth lock ,#10 ,grounding
*	5308016571	A B	Plug-button,cab liner holes

SHELVES



P58S0142

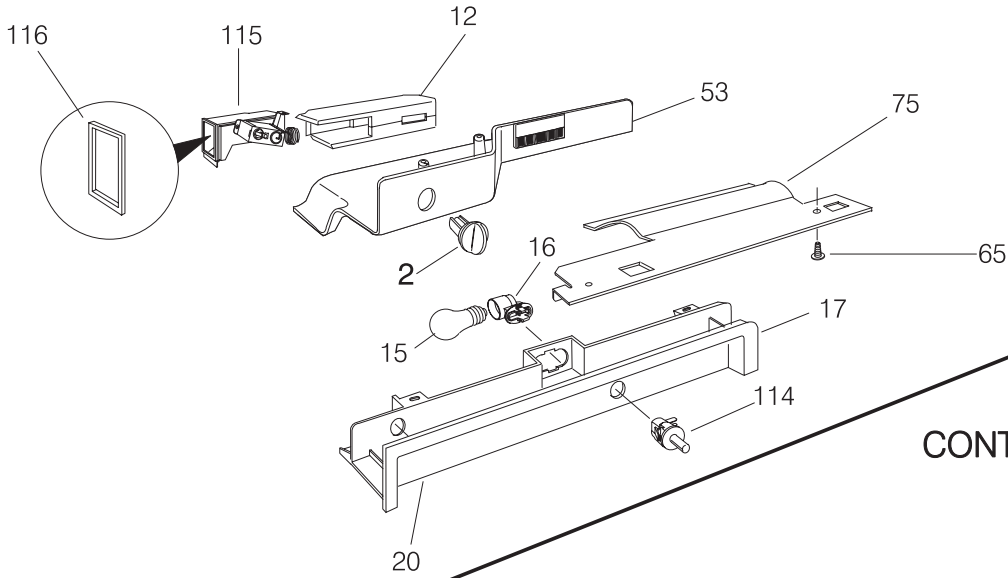
SHELVES

A = TRS20WRH (TRS20WRHD0)
B = TRS20WRH (TRS20WRHW0)

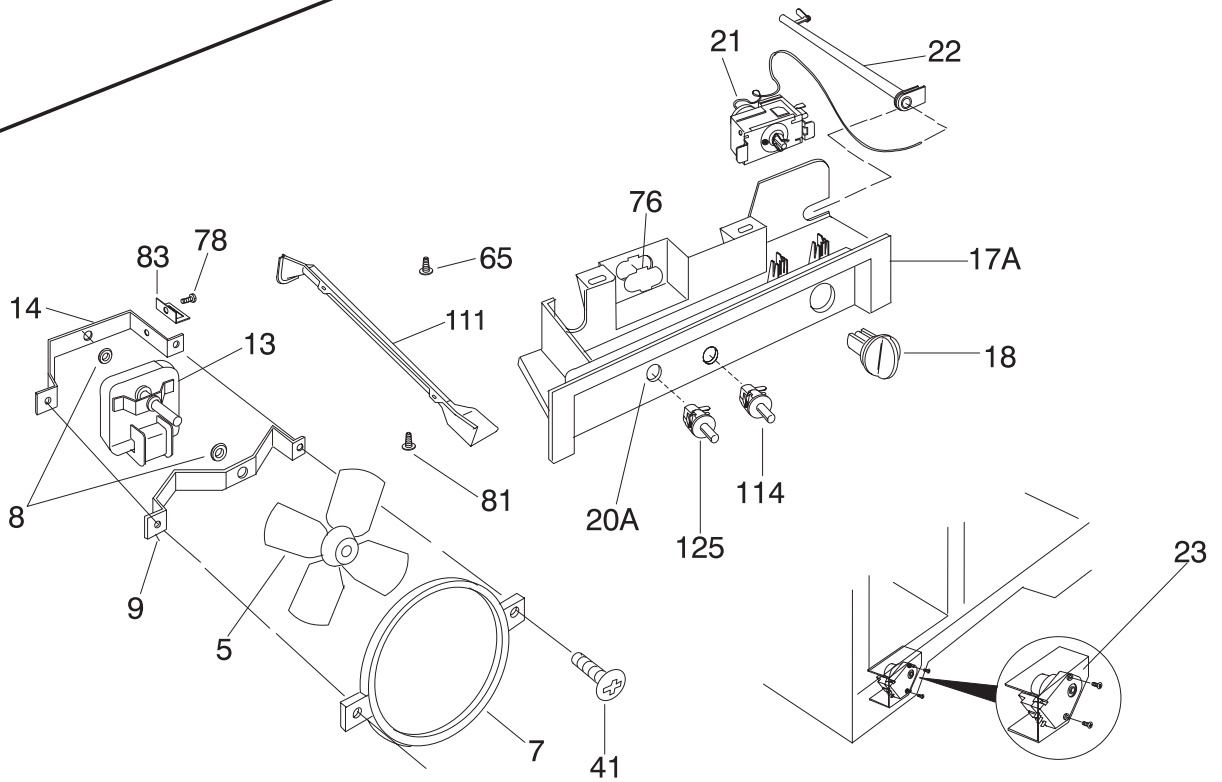
POS. NO	PART NO		DESCRIPTION
2	5303300707	A B	Trim-basket
11	218298005	A B	Shelf-freezer,sliding ,wire
11A	5304405989	A B	Shelf-freezer
24	215919136	A B	Frame-refr shelf,cantilever ,(3)
25A	218015301	A B	Trim-storage pan cvr,snap-on ,front
25C	218015401	A B	Trim-storage pan cvr,snap-on ,rear
26	5303288971	A B	Pan-storage,upper
26A	5303288968	A B	Pan-storage,lower
28	08013638	A B	End Cap-shelf, protector, lower fzs shelf
29	215919413	A B	Trim-refr shelf,front ,(3)
40	218498194	A B	Glass-shelf,refr shelf ,(3)
41	215919813	A B	Trim-refr shelf,rear ,(3)
46	5303317753	A B	Front-storage pan,clear ,(2)
47	215723551	A B	Insert-pan cover,glass ,clear ,lower
49	5303288957	A B	Basket-sliding
51	5303288960	A B	Hanger-basket,RH
52	215162501	A B	Hanger-basket,LH,with/spring
57	5303271653	A B	Ferrule-inner
81	5308016566	A B	Screw,hex wshr hd ,8-15A x 0.625, low profile
96	215192600	A B	Support-water tank
97	218871301	A B	Water Tank
100A	218015501	A B	Support-pan cover,LH
100B	218015601	A B	Support-pan cover,RH
101	215005000	A B	Screw,hex wshr hd ,8-18AB x 0.750, gusset/hanger
126	218867401	A B	Channel,auger mtg ,LH
126	218867402	A B	Channel,auger mtg ,RH
*	215339900	A B	Clip-shelf

CONTROLS

CONTROLS - REF.



CONTROLS - FREEZER



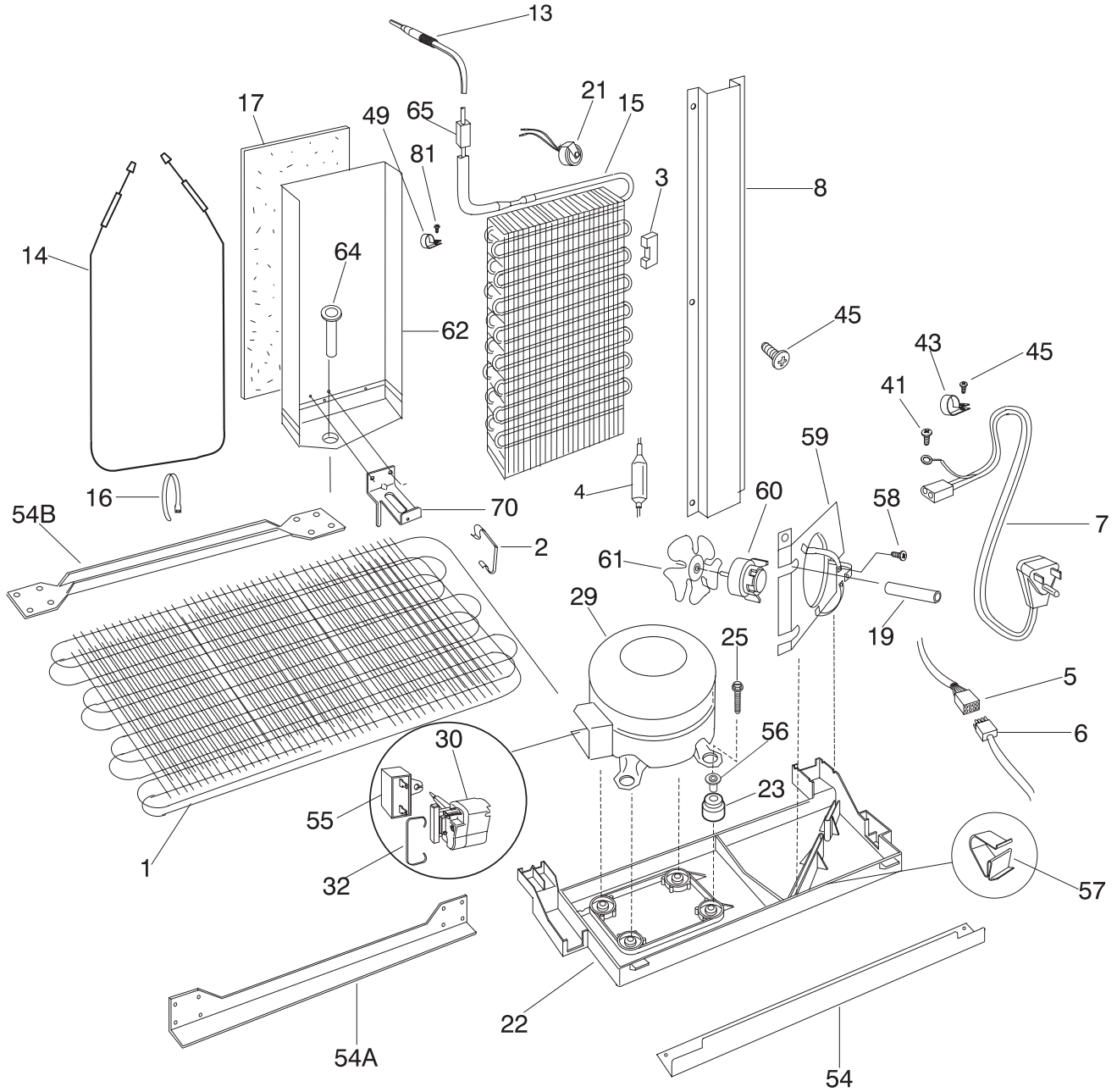
P58T0026

CONTROLS

A = TRS20WRH (TRS20WRHD0)
B = TRS20WRH (TRS20WRHW0)

POS. NO	PART NO		DESCRIPTION
2	215028605	A B	Knob-damper control
5 #	5308000010	A B	Fan Blade,red
7	5308000124	A B	Ring-fan orifice
8	5300157666	A B	Bushing-motor mtg,(2)
9	5303205118	A B	Bracket-motor mtg,front
12	215809600	A B	Diffuser-air
13 #	215426200	A B	Motor-evap fan
13*	215474201	A B	Washer,"slinger" ,nylon ,evap fan shaft
14	5303205119	A B	Bracket-motor mtg,rear
15	5303001179	A B	Light Bulb/Lamp,40 W
16	5303289050	A B	Socket-light/lamp
17	5303296808	A B	Control Box,refr
17A	5303321928	A B	Control Box,frzr
17A*	215188300	A B	Screw-control box mtg,hex head, 8-15A x 1.000,refr/frzr
18	215051008	A B	Knob-temp control
20	5303296801	A B	Label-control box,refr
20A	5304401044	A B	Label-control box,frzr
21 #	5303300027	A B	Control-temperature
22	5303319683	A B	Housing-temp sensor,plastic
22*	218731102	A B	Tube,insulator ,PVC ,white, on temp sensor
23 #	215846602	A B	Timer-defrost
23*	215277000	A B	Cover-defrost timer,top
23*	5303001259	A B	Screw-timer mtg,pan hd ,6-20 x 0.438
23*	5303289058	A B	Shield-defrost timr,btm
41	5308000039	A B	Screw, hex wshr hd, 8-32CA x 0.500, serrated head
41*	5303209814	A B	Nut,"U" type ,8-15(A) ,fan mtr mtg
53	215809505	A B	Box-damper control
65	5303001361	A B	Pin-mounting,push-in ,plastic
75	218465101	A B	Shield-light,refr
76	218225800	A B	Cover-light socket
78	5303274237	A B	Screw-bracket, hex wshr hd, 8-32CA x 0.500
81	5308016566	A B	Screw,hex wshr hd ,8-15A x 0.625, low profile
83	5308000107	A B	Bracket-connector
111	5303289024	A B	Wireway,frzr
114#	5303289051	A B	Switch-light/lamp,white
115	215011503	A B	Damper Assy,w/seal
116	215011400	A B	Seal-damper,foam
125	215334201	A B	Switch-auger kill,white

SYSTEM

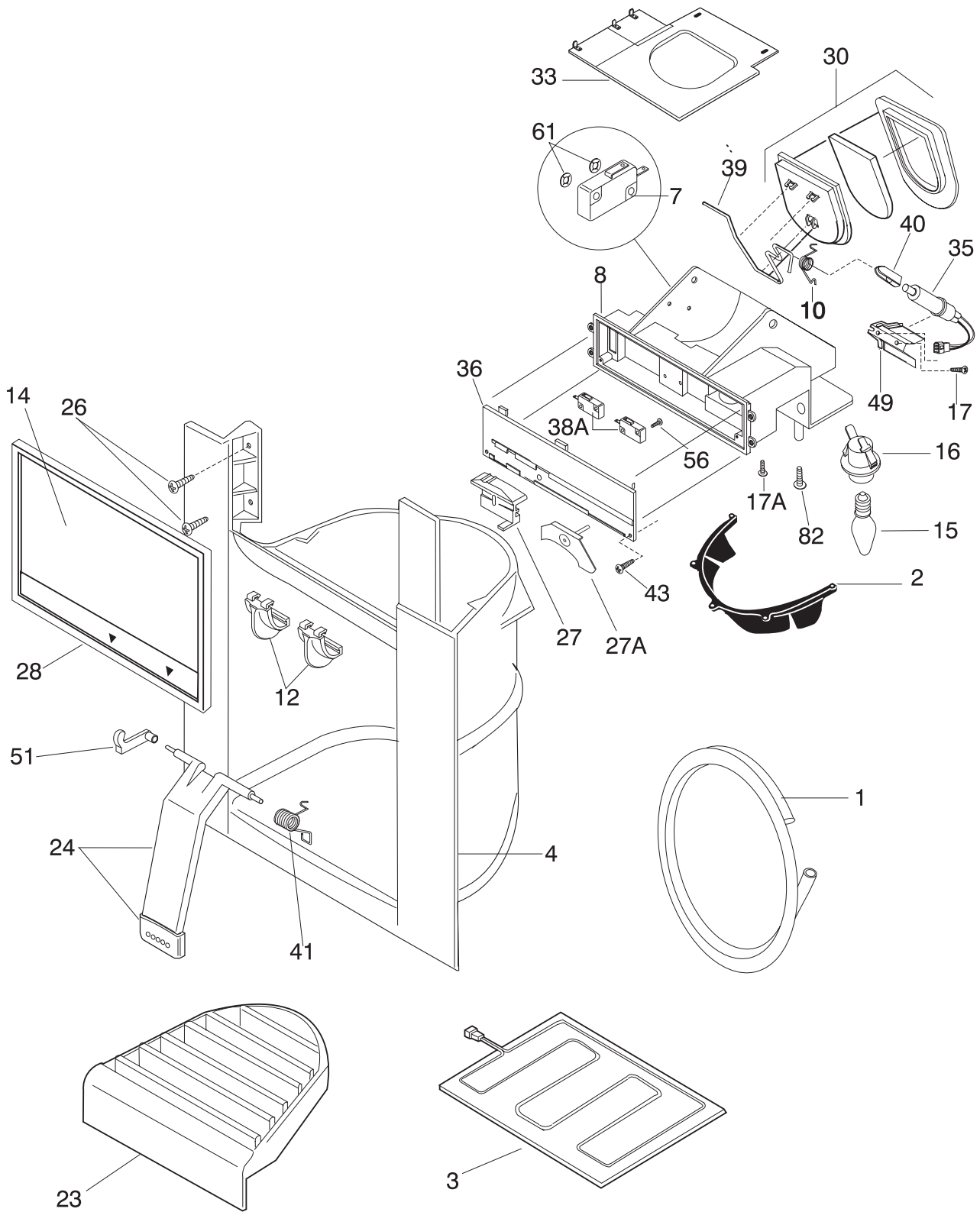


P58C0001

SYSTEM

A = TRS20WRH (TRS20WRHD0)
B = TRS20WRH (TRS20WRHW0)

POS. NO	PART NO		DESCRIPTION
1	218787700	A B	Condenser
1*	5303208866	A B	Spacer-cond tube,black
1*	5303289026	A B	Spacer-tube
2	5303289029	A B	Clip-cond mtg,(4)
3	218679603	A B	Block-evap coil,styrofoam ,(2)
4 #	218944001	A B	Drier-filter,R134a System
5	218646100	A B	Harness-wiring,main
5*	215005200	A B	Harness-wiring,refr controls
5*	218815101	A B	Harness-wiring,frzr controls
6	218897101	A B	Harness-wiring,machine compt
7	215459201	A B	Cord-electric power
8	218803400	A B	Cover-wiring
13 #	215006701	A B	Heat Exchanger,suction line
14 #	218169801	A B	Heater-defrost
15 #	218691302	A B	Evaporator,R134a System
15*	3206414	A B	Tube-inlet
16	5308000110	A B	Strap-evap/heater,aluminum ,(2)
17	5303289042	A B	Insulator-evap
19	218631200	A B	Tube,rubber
21 #	5316269001	A B	Thermostat-defrost
22	218811100	A B	Base-compressor mtg,(drain pan)
23	218513300	A B	Grommet-compr mtg,(4)
25	218773500	A B	Screw-compressor mtg, hex washer head,10 B x 1 1/4
29	218374515	A B	Compressor,R134a ,w/o electricals
30 #	218721101	A B	Starter/Overload Assy
32	218740800	A B	Wire-bale
41	218769200	A B	Screw,hx wshr hd spec ,#6-32 x .5
43	215174700	A B	Clamp-service cord,strain relief, galv steel
43	5303001199	A B	Clamp-wiring harness,strain relief, galv steel
43*	5308000133	A B	Clamp,nylon ,.75 OD tube
45	5303001343	A B	Screw,hex wshr hd ,8-15A x 0.500 ,spec
45*	5300141713	A B	Screw,hex wshr hd ,8-32 x 0.625 ,spec
49	215506900	A B	Bracket-evap mtg
54	5303289027	A B	Rail-cabinet base,rear
54*	215732700	A B	Screw,pan head ,10-12A x 0.50
54A	5303289311	A B	Rail-compr support
54B	5303289292	A B	Rail-cabinet base,front
55	218909901	A B	Capacitor-run,220 VAC ,15 microfarad
56	218769300	A B	Insert-compressor mtg
57	218247300	A B	Clip-wiring harness
58	215004600	A B	Screw-cond fan mtr,hx serr wshr hd, 8-36 x 7/16,(2)
59	5303289031	A B	Shroud-cond fan mtr
60 #	215501901	A B	Motor-condenser fan
61	5303289032	A B	Blade-cond fan
61*	215004700	A B	Nut,speed
61*	215004800	A B	Grommet-silencer
62	215048201	A B	Trough-drain,w/shield assy & #17 insulator
64	5303289063	A B	Tube-drain
65	5303289301	A B	Spacer-tube
70	5303289041	A B	Bracket-evap/cvr mtg
81	5308016566	A B	Screw,hex wshr hd ,8-15A x 0.625, low profile
*	5303917166	A B	Hot Tube Repair Kit,Service



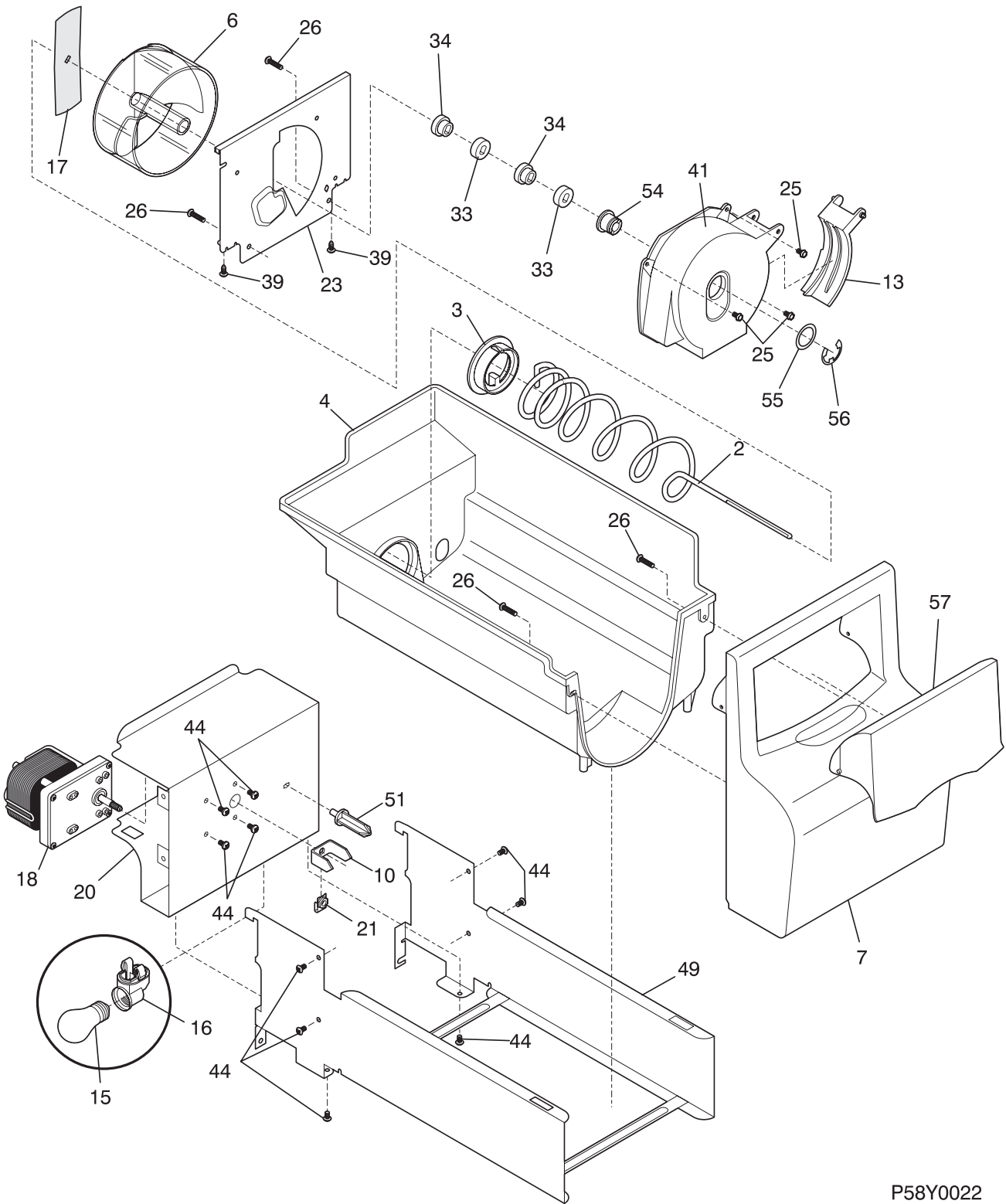
P58X0016

DISPENSER

A = TRS20WRH (TRS20WRHD0)
B = TRS20WRH (TRS20WRHW0)

POS. NO	PART NO		DESCRIPTION
1	5318582501	A B	Tube-water inlet, 93", plastic, cut-to-size
1*	215294101	A B	Tube-water inlet, formed, plastic, dispenser
2	218505302	A -	Deflector-ice disp,almond
2	218505301	- B	Deflector-ice disp,white
3 #	215484300	A B	Heater-door housing
4	215922302	A -	Housing-dispenser,almond
4	215922301	- B	Housing-dispenser,white
7 #	218284800	A B	Switch-actuator,micro
8	218835701	A B	Module-dispenser
10	218209800	A B	Spring,dispenser door
12	218845902	A -	Knob-selector,almond
12	218845901	- B	Knob-selector,white
14	218416149	A -	Label-module cover,almond
14	218416148	- B	Label-module cover,white
15	218284900	A B	Light Bulb/Lamp,4 W ,115 V
16 #	215284900	A B	Socket-light/lamp
17	215794400	A B	Screw,#6 x 1/4
17A	215840700	A B	Screw,truss head ,6-20 x 3/8
17A*	215923400	A B	Washer-flat
23	215447011	A -	Drip Tray,almond
23	215447001	- B	Drip Tray,white
24	215918002	A -	Actuator,almond
24	215918001	- B	Actuator,white
26	215503200	A B	Screw,cr pan hd ,10-16 x 0.500, spec/hi-lo
27	218432600	A B	Cam-slide
27A	218814901	A B	Rocker-switch
28	218713102	A -	Cover-module,almond
28	218713101	- B	Cover-module,white
30	215753600	A B	Door Assy-ice chute,w/gasket,insul
33 #	218870201	A B	Heater-disp throat
35 #	218740002	A B	Heat Motor,115 V
36	218835601	A B	Cover-slctr switch,ice dispenser
38A#	218479900	A B	Switch-micro,single pole ,double throw
39	218284600	A B	Wire-ice door
40	218284500	A B	Yoke-heat motor
41	215917800	A B	Spring-actuator
43	5303001083	A B	Screw,tw hx cr pan hd ,8-16 x 0.500
49	215794000	A B	Bracket-heat motor
51	215922200	A B	Cam-switch
56	218434300	A B	Screw-micro switch,pan head, 4-24 x 9/16
61	215766000	A B	Ring-retainer,micro switch
82	215296300	A B	Screw,plask h/l ,#6 x 3/8
*	215781700	A B	Clip-tube
*	218863107	A B	Harness-wiring,disp

ICE CONTAINER

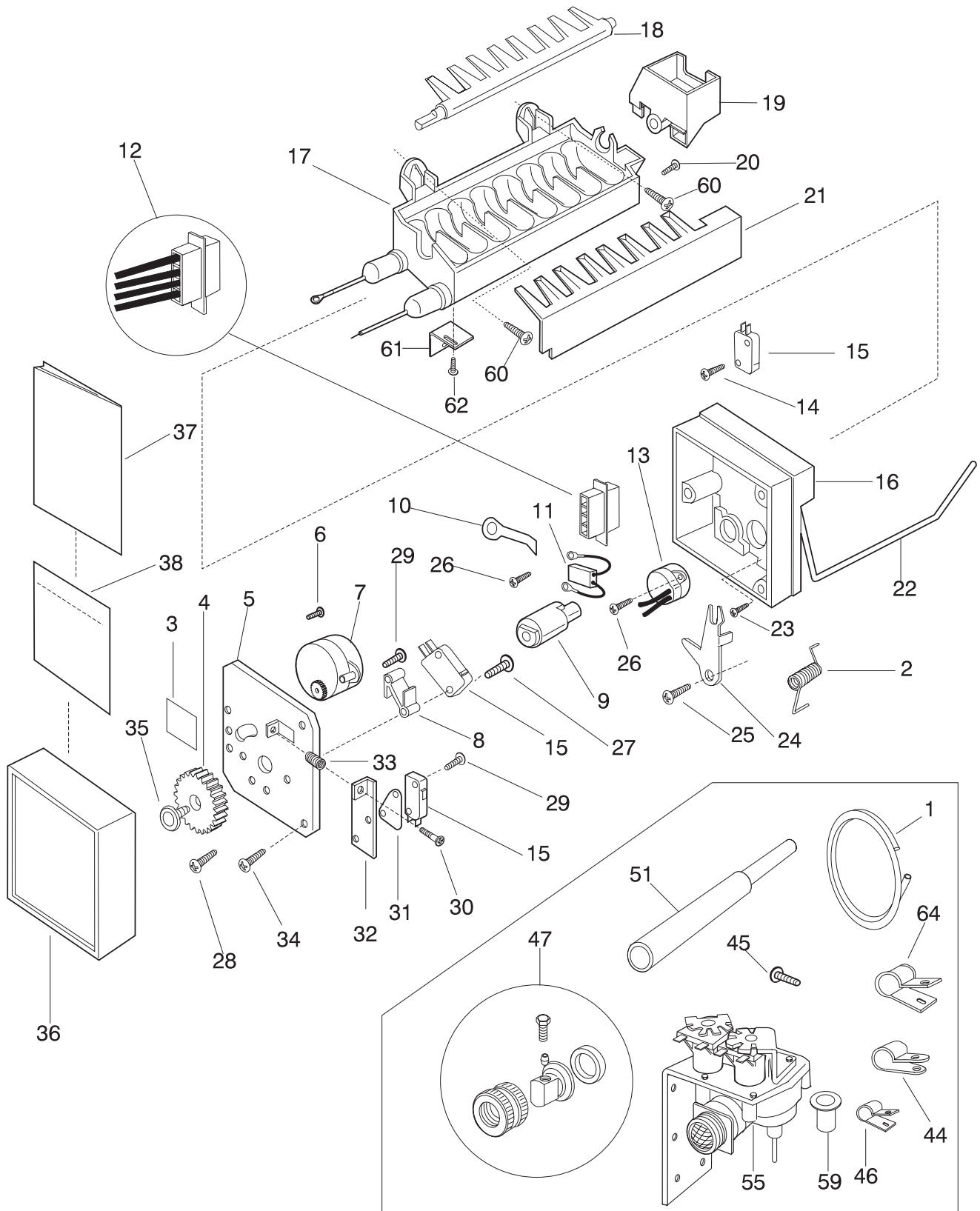


P58Y0022

ICE CONTAINER

A = TRS20WRH (TRS20WRHD0)
B = TRS20WRH (TRS20WRHW0)

POS. NO	PART NO		DESCRIPTION
2	5304404344	A B	Auger-ice
3	5304404343	A B	Cam-drive
4	218815300	A B	Container-ice
6	5304404346	A B	Drum-ice disp
7	218815400	A B	Front-ice container
10	5304404337	A B	Bar-drive
13	5304404359	A B	Gate
15	5303001179	A B	Light Bulb/Lamp,40 W
16 #	5303289050	A B	Socket-light/lamp
17	5304404345	A B	Drive Blade
18 #	218815702	A B	Motor-auger
18*	5304407107	A B	Harness-wiring, auger motor
20	5304407106	A B	Cover-motor
21	215285100	A B	Nut-drive
23	5304404347	A B	Plate-front
25	5304404362	A B	Screw
26	215503200	A B	Screw,cr pan hd ,10-16 x 0.500, spec/hi-lo
33	5304404351	A B	Spacer
34	5304404349	A B	Spacer
39	5304404365	A B	Screw
41	5304404358	A B	Housing-crusher
44	218359200	A B	Screw,pan head ,8-32 x 0.250
49	5304404329	A B	Rail Assy
51	5304404336	A B	Rotation Stop
54	5304404357	A B	Nut-auger
55	5304404360	A B	Washer
56	5304404361	A B	E-ring
57	5304404363	A B	Door-access
*	215781700	A B	Clip-tube
*	218842801	A B	Ice Container Assy



INSTALLATION PARTS

P58Z0014

ICE MAKER

A = TRS20WRH (TRS20WRHD0)
B = TRS20WRH (TRS20WRHW0)

POS. NO	PART NO		DESCRIPTION
1	5318582501	A B	Tube-water inlet, 93", plastic, cut-to-size
2	3206348	A B	Spring,shut-off arm
3	3206299	A B	Plate-I.D.
4	3206301	A B	Gear
5	3206303	A B	Plate-mounting
6	3206305	A B	Screw-ground wire,8-32 x 1/4
7 #	3206306	A B	Motor-ice maker
8	3206312	A B	Spacer-holding sw
9	3206313	A B	Cam
10	3206315	A B	Clamp
11 #	3206319	A B	Thermal Cutoff,icemaker ,complete assy
12	3206321	A B	Connector Plug,wiring harness
12 #	3206349	A B	Harness-wiring,IM internal ,with plug
13 #	3206322	A B	Thermostat Assy,ice maker
14	3206323	A B	Screw-switch mtg,4-24 x 3/4, sw to support,(2)
15 #	3206324	A B	Switch,(3)
16	3206326	A B	Support
17 #	5303320545	A B	Mold-ice maker,radius cube ,with heater
18	3206328	A B	Ejector
19	3206330	A B	Bearing & Inlet
20	3206331	A B	Screw,8-18 x 0.375 ,(2)
21	3206332	A B	Ice Stripper
22	3206333	A B	Arm,shut-off
23	3206334	A B	Screw-sup/mold body,8-18 x 1 ,(4)
24	3206335	A B	Lever-arm
25	3206336	A B	Screw-arm levr/sprt,8-18 x 9/16
26	3206337	A B	Screw-thermo/sprt,4-24 x 3/8 ,(4)
27	3206338	A B	Screw-sw&spcr/plate,4-40 x 1
28	3206339	A B	Screw-timing stop,4-40 x 3/8
29	3206340	A B	Screw-mtr & sw/plate,4-40 x 3/4
30	3206341	A B	Screw-timing,8-32 x 1
31	3206342	A B	Insulator
32	3206343	A B	Plate-valve switch
33	3206344	A B	Spring
34	3206345	A B	Screw-mtg plate/sprt,8-18 x 7/16
35	3206346	A B	Screw-gear/cam,6-20 x 0.437
36	3206347	A B	Cover-ice maker,complete
37	5303320544	A B	Data Sheet,ice maker
38	5303207445	A B	Envelope-data sheet
44	5308000133	A B	Clamp,nylon ,.75 OD tube
45	5303001343	A B	Screw,hex wshr hd ,8-15A x 0.500 ,spec
46	5303001193	A B	Clamp-inlet tube,metal
47	5308000205	A B	Adapter-water sply,straight
51	215811600	A B	Tube-fill
55 #	218720500	A B	Valve-water,dual solenoid ,115 V
55*	218835800	A B	Cap-water valve
59	5303001191	A B	Sleeve-tube insert
60	5303207328	A B	Screw,hex wshr hd ,8-15A x 1
61	218721500	A B	Bracket-leveling,ice maker
62	218737900	A B	Screw-IM brkt mtg,hex hd ,8-32 x 0.375
64	5303001549	A B	Clamp-copper tube,steel
*	215290100	A B	Screw-solenoid valve,hx hd-slot wshr, 12-24 x 3/4
*	218699501	A B	Ice maker,radius cube ,no instl parts

WIRING SCHEMATIC

