



Standard Features & Accessories

All models include

- Dimensioned to fit the majority of similarly sized cooktop cutouts
- Sealed burners with brass flame ports and porcelain/cast iron burner caps
- Burners mounted in durable, easy to clean ceramic glass
- Heavy-duty stainless steel control knobs with childproof, push-to-turn safety feature

4B model includes

- Four burners
 - Left front—14,000 BTU high/2,000 BTU low
 - Left rear—12,000 BTU high/1,700 BTU low
 - Right rear—8,000 BTU high/1,200 BTU low
 - Right front—6,000 BTU high/950 BTU low

5B model includes

- Five burners
 - Left front—12,000 BTU high/1,700 BTU low
 - Left rear—10,000 BTU high/1,500 BTU low
 - Center—14,000 BTU high/2,000 BTU low
 - Right rear—8,000 BTU high/1200 BTU low
 - Right front—6,000 BTU high/950 BTU low

6B model includes

- Six burners
 - Left front—12,000 BTU high/1,700 BTU low
 - Left rear—8,000 BTU high/1200 BTU low

- Left center—10,000 BTU high/1,500 BTU low
- Right center—14,000 BTU high/2,000 BTU low
- Right front—8,000 BTU high/1200 BTU low
- Right rear—6,000 BTU high/950 BTU low

Model Options



DGPU105-4B
30"W. Four-Burner Cooktop



DGPU165-5B
36"W. Five-Burner Cooktop



DGPU155-6B
45"W. Six-Burner Cooktop

FINISH DETAILS FOR ALL MODELS

- Stainless Steel/Black (SB)
 - Stainless steel trim, control panel, and knobs.
 - Black glass, grates, and knob grips.
- Stainless Steel/White (SW)
 - Stainless steel trim, control panel, and knobs.
 - White glass.
 - Gray grates and knob grips.
- Brass Trim Option (BR)—knobs. Brass components have a durable protective coating for maintenance-free normal use.

ORDERING INSTRUCTIONS

First specify model number, and then color code (DGPU105-4BSS). If ordering optional brass trim, specify code at end (DGPU105-4BSSBR). If ordering optional LP conversion, specify code at end (DGPU105-4BSSBRLP).



★ Please see
Installation Notes &
Accessories
for important
installation
information,
including
conversion kits.

Dimensions & Specifications

PRODUCT DIMENSIONS



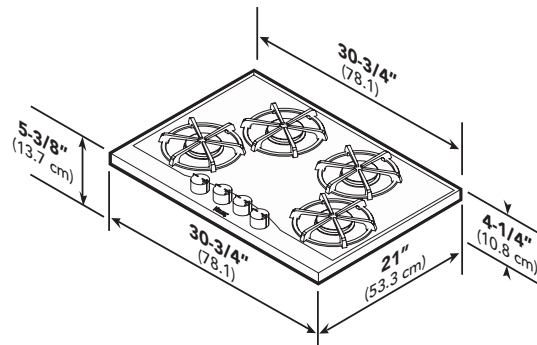
DGCU105-4B
30"W. Four-Burner
Cooktop



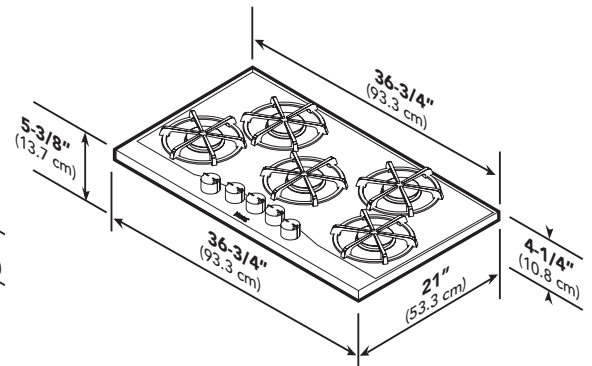
DGCU165-5B
36"W. Five-Burner
Cooktop



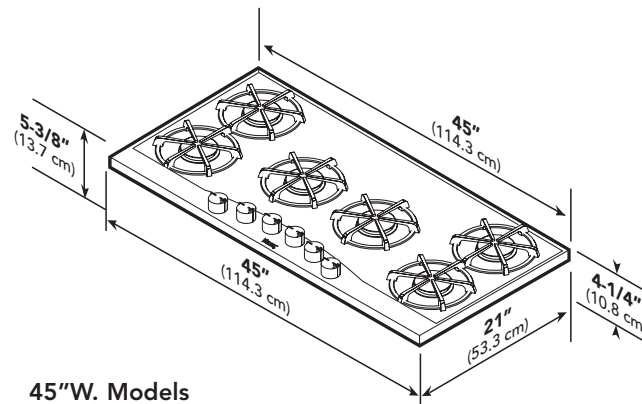
DGCU155-6B
45"W. Six-Burner
Cooktop



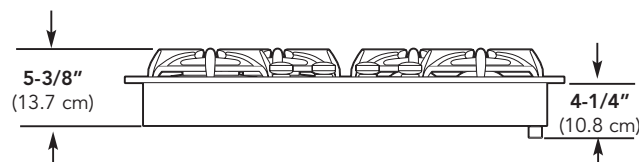
30"W. Models



36"W. Models



45"W. Models



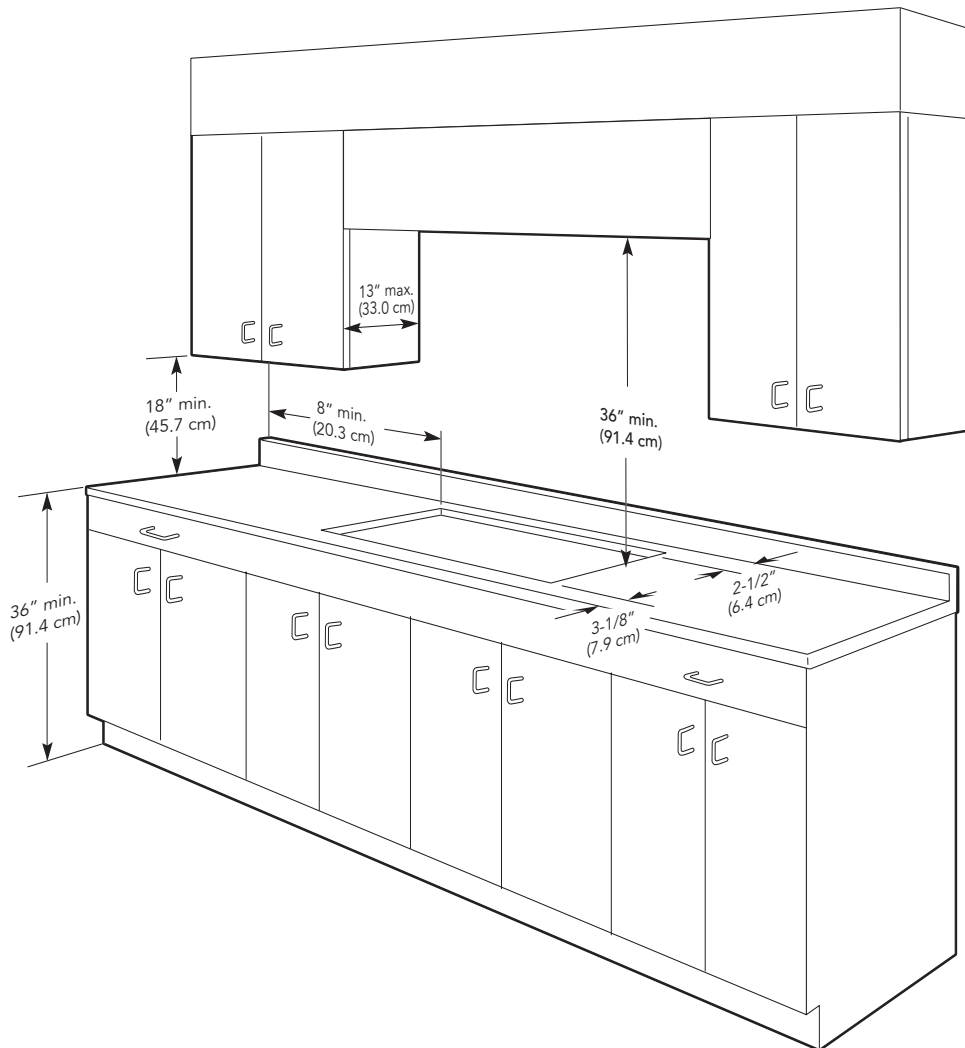
SIDE VIEW

	DGCU105-4B	DGCU165-5B	DGCU155-6B
Overall width	30-3/4" (78.1 cm)	36-3/4" (93.3 cm)	45" (114.3 cm)
Overall height (from bottom)		4-1/4" (10.8 cm)	
Overall height (from top of grate to bottom)		5-3/8" (13.7 cm)	
Overall depth (from rear)		21" (53.3 cm)	



Dimensions & Specifications

CLEARANCE DIMENSIONS



Minimum clearances from adjacent combustible construction

- Sides—8" (20.3 cm)
- Rear—2-1/2" (6.4 cm) min.
- Within 8" (20.3 cm) side clearance; wall cabinets no deeper than 13" (33.0 cm)
- Must be minimum 18" (45.7 cm) above countertop
- Wall cabinets directly above cooktop must be minimum 36" (91.4 cm) above the countertop.

1. The cooktop may be installed directly to existing base cabinets.
2. The cooktop cannot be installed directly adjacent to sidewalls, tall cabinets, tall appliances, or other side vertical surfaces above 36" (91.4 cm) high. There must be a minimum of 8" (20.3 cm) side clearance from the cooktop to such combustible surfaces

above the 36" (91.4 cm) counter height.

3. Within the 8" (20.3 cm) side clearance to combustible vertical surfaces above 36" (91.4 cm), the maximum wall cabinet depth must be 13" (33.0 cm) and wall cabinets within this 8" (20.3 cm) side clearance must be 18" (45.7 cm) above the 36" (91.4 cm) high countertop.
4. Wall cabinet above the cooktop must be a minimum of 36" (91.4 cm) above the countertop for a full width of the cooktop. This minimum height requirement does **not** apply if a hood is installed over the cooking surface.
5. A 120-volt wall receptacle should be located approximately 6" (15.2 cm) below the countertop cutout and 12" (30.5 cm) from the right side of the cutout.

The bottom of the hood should be 30" (76.2 cm) min. to 36" (91.4 cm) above the countertop. This would typically result in the bottom of the hood being 66" (167.6 cm) to 72" (182.9 cm) above the floor. Refer to the hood installation instructions for further information.

Warning

The use of cabinets for storage above the appliance may result in a potential burn hazard. If a cabinet storage is to be provided the risk can be reduced by installing a hood that projects horizontally a minimum of 5" (12.7 cm) beyond the bottom of the cabinets.



UTILITY REQUIREMENTS



GAS

- Must be ordered from the factory either natural gas or LP/propane (DGCU models are **not** field convertible). Specify LP after model number and color code, for example, "DGCU155-6BSSLP"
- Accepts standard residential 1/2" (1.3 cm) ID gas service line
- Gas manifold pressure
 - Natural gas 5.0" W.C.P.
 - LP/propane 10.0" W.C.P.



ELECTRICAL

- 4-foot (121.9 cm) cord included with cooktop
- 3-wire with ground/3-prong plug
- 120 V/60 Hz
- Max. amp usage—2.0
- *If electrical power is not supplied or is interrupted, the open top burners can be lit manually with a match.



PLUMBING

Not applicable

Installation Requirements

ACCESS REQUIREMENTS



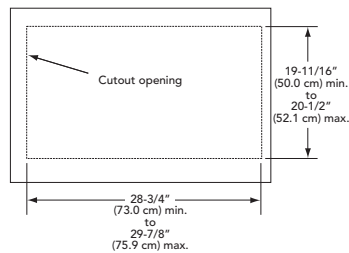
DGCU105-4B
30"W. Four-Burner Cooktop



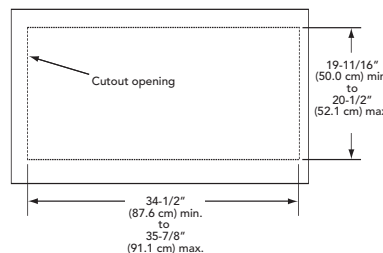
DGCU165-5B
36"W. Five-Burner Cooktop



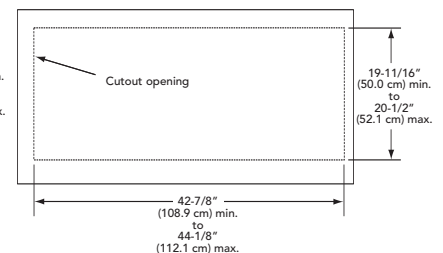
DGCU155-6B
45"W. Six-Burner Cooktop



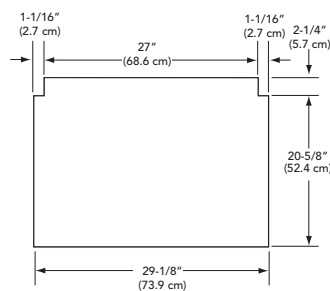
30"W. Cutout



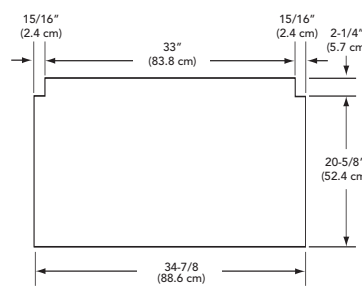
36"W. Cutout



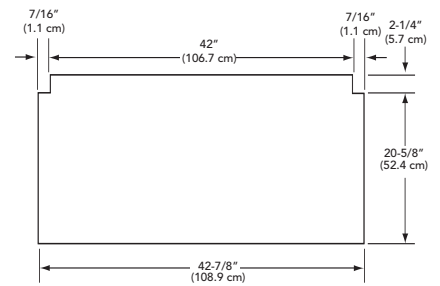
45"W. Cutout



30"W. Cutout w/Downdraft



36"W. Cutout w/Downdraft



45"W. Cutout w/Downdraft

	DGCU105-4B	DGCU165-5B	DGCU155-6B
Cutout width	28-3/4" (73.0 cm) min. to 29-7/8" (75.9 cm) max.	34-1/2" (87.6 cm) min. to 35-7/8" (91.1 cm) max.	42-7/8" (108.9 cm) min. to 44-1/8" (112.1 cm) max.
Cutout height	2-3/4" (7.0 cm)*		
Cutout depth	19-11/16" (50.0 cm) min. to 20-1/2" (52.1 cm) max.		
Surface burner rating			
Left front	14,000 BTU Nat. (4.1 kW)/ 13,500 BTU LP (4.0 kW)	12,000 BTU Nat. (3.5 kW)/ 11,500 BTU LP (2.8 kW)	12,000 BTU Nat. (3.5 kW)/ 11,500 BTU LP (2.8 kW)
Left rear	12,000 BTU Nat. (3.5 kW)/ 11,500 BTU LP (2.8 kW)	10,000 BTU Nat./LP (2.9 kW)	8,000 BTU Nat./LP (2.1 kW)
Right front	6,000 BTU Nat./LP (1.8 kW)	6,000 BTU Nat./LP (1.8 kW)	8,000 BTU Nat./LP (2.1 kW)
Right rear	8,000 BTU Nat./LP (2.1 kW)	8,000 BTU Nat./LP (2.1 kW)	6,000 BTU Nat./LP (1.8 kW)
Center		14,000 BTU Nat. (4.1 kW)/ 13,500 BTU LP (4.0 kW)	10,000 BTU Nat./LP (2.9 kW)
Right center			14,000 BTU Nat. (4.1 kW)/ 13,500 BTU LP (4.0 kW)

*Top of grate support should be 1-1/8" (2.8 cm) above countertop. There must be a 1" (2.5 cm) clearance undercounter on all sides of the cooktops.



Compliance Information



WARRANTY INFORMATION*

- One-year full warranty—complete product
- Five-year limited warranty—surface burners
- Ninety-day limited warranty—cosmetic parts such as glass, painted, and decorative items

* For complete warranty see *Use & Care Guide*. Warranty valid on Viking products shipped within the United States and Canada.