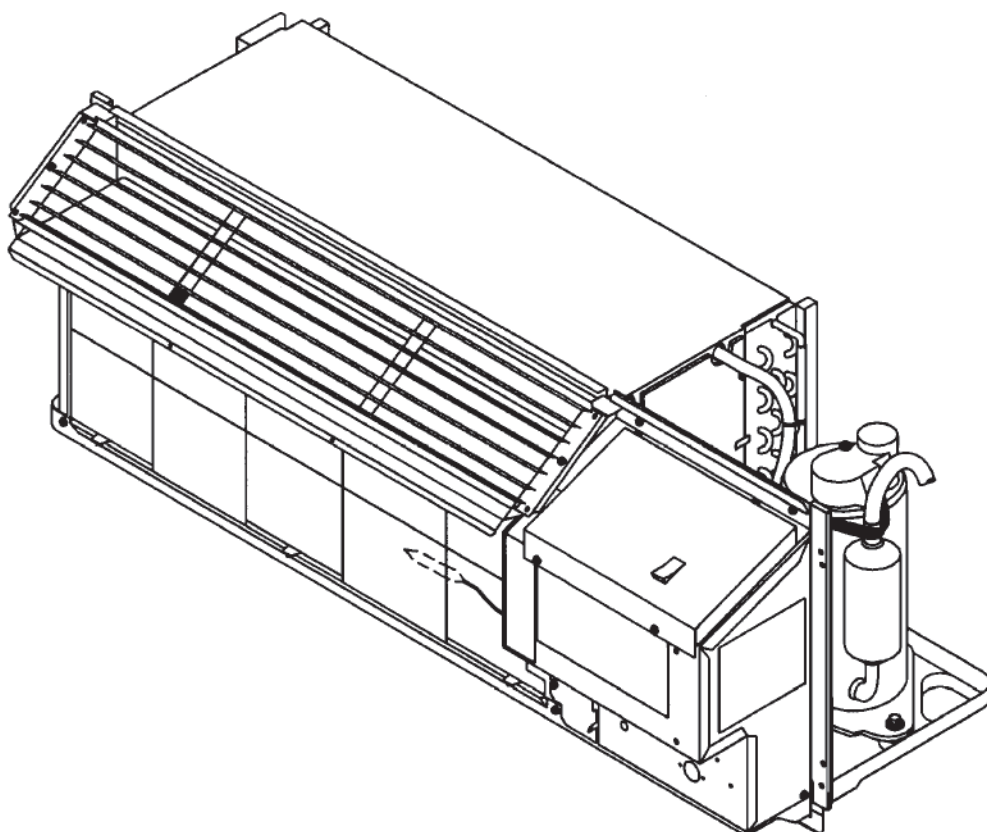


**Friedrich®**

# Parts Manual

## WallMaster PTAC

Packaged Terminal Air Conditioner  
T Series



# Table of Contents

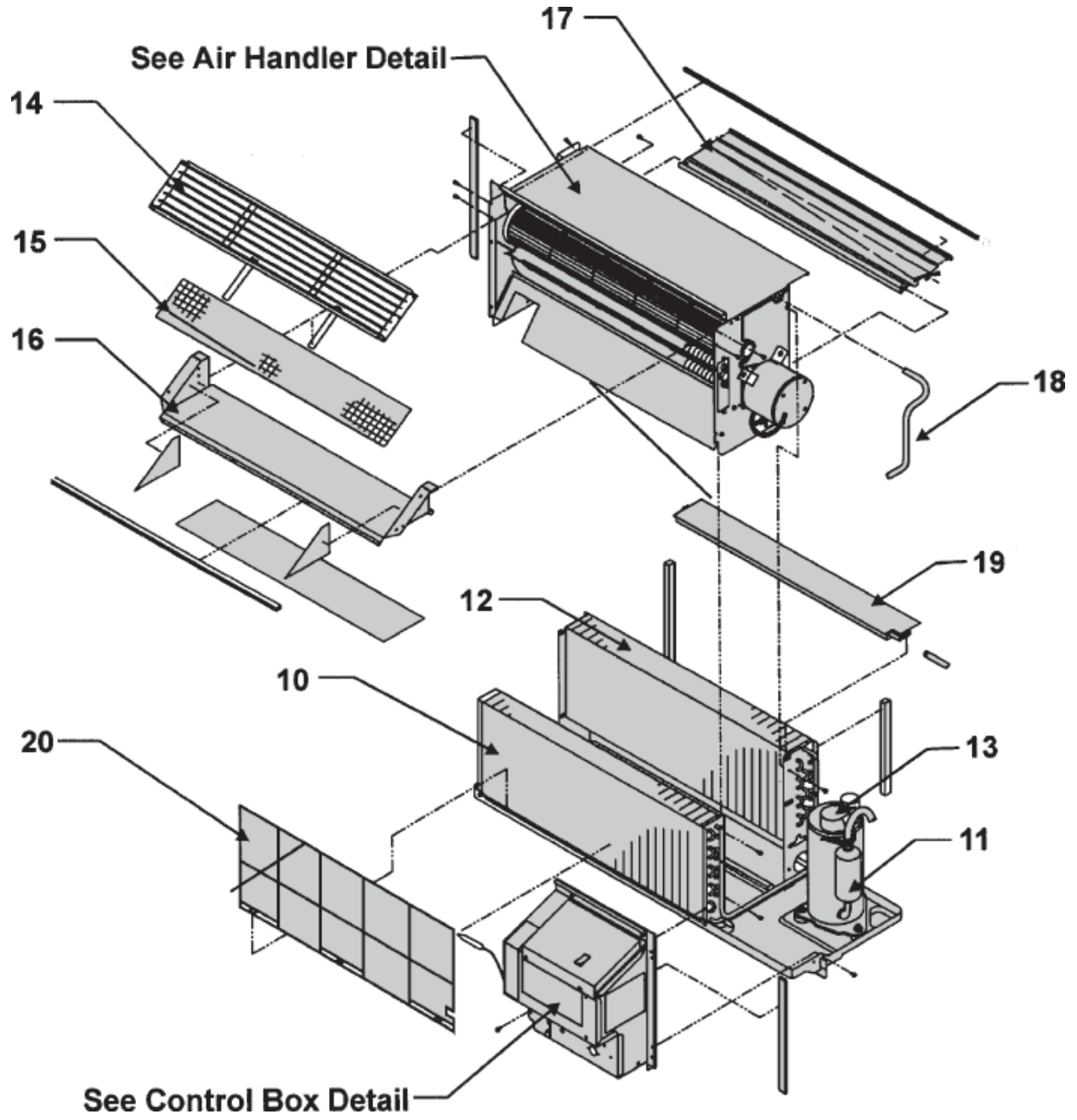
PTAC Model Number Identification Guide .....	3
PTAC Serial Number Identification Guide .....	3
Unit Assembly Drawing .....	4
Unit Assembly Parts List .....	5
Air Handler .....	6
Air Handler Parts List .....	7
Control Box Assembly .....	8
Control Box Parts List .....	9
Front Cover Assembly Drawing .....	10
Front Cover Parts .....	10
Central Desk Control Models .....	11
Remote Thermostat Models .....	11
Drain Kits and Flex Drive Retrofit Kits .....	11
Service Parts List .....	11
Notes & Comments .....	12

<b>PTAC Model Number Identification Guide</b>								
<b>Model Number</b>	<b>T</b>	<b>H</b>	<b>C</b>	<b>07</b>	<b>K</b>	<b>25</b>	<b>ST</b>	<b>C</b>
<b>Series</b> T = T Series							<b>Engineering Code</b> A - B - C	
<b>Unit Type</b> E = Electric Heat/No Heat H = Heat Pump							<b>Option</b> ST = Standard Unit RT = Remote Thermostat DC = Central Desk Control SP = Seacoast Protection	
<b>Design Series</b> C = Friedrich Manufactured A & B = ICP Manufactured								
<b>Nominal Cooling Capacity</b> 07 = 6,500 - 7,200 BTUh 09 = 8,500 - 9,200 BTUh	12 = 11,500 - 12,200 BTUh 15 = 14,000 - 15,000 BTUh						Nominal Heater Size (@ 230V or 265V) 00 = No electric heater 25 = 2.5 KW 34 = 3.4 KW 50 = 5.0 KW	
<b>Voltage</b> K = 208/230V - 1PH - 60Hz R = 265V - 1PH - 60Hz								

<b>PTAC Serial Number Identification Guide</b>					
<b>Serial Number</b>	<b>JG</b>	<b>A</b>	<b>P</b>	<b>00000</b> Production Run Number	
<b>Year Manufactured</b> A = 1    D = 4    G = 7    K = 0 B = 2    E = 5    H = 8 C = 3    F = 6    J = 9			<b>Manufacturing Location</b> S = San Antonio P = San Antonio		
<b>Month Manufactured</b> A = Jan    D = Apr    G = Jul    K = Oct B = Feb    E = May    H = Aug    L = Nov C = Mar    F = Jun    J = Sep    M = Dec					

<b>Notes &amp; Comments</b>		
<b>Note</b>	<b>Units Affected</b>	<b>Note or Comment</b>
Heat Pump	All THC units	Identifies the parts or components used specifically in the heat pump units. All other components are consistent with all other units.
Note 1	A, B & C suffix	Identifies the parts or components used specifically in units built prior to August 1997 (serial prefix JGHP.....)
Note 2	All C suffix only	Identifies the parts or components used specifically in units built starting September 1997 (serial prefix JGJP.....) to current.
Note 3 A & B	All suffix only	The thermostat was changed from the original that had a short 3/8" diameter bulb to the thermostat that has a long 1/4" bulb. Both have the same operating range. If changing from the 3/8" bulb this kit is required.
265V	All Voltage code R	Identifies the parts or components used specifically in units built to operate on 265V 1PH 60Hz (same as 277V 1PH 60Hz)

# Unit Assembly



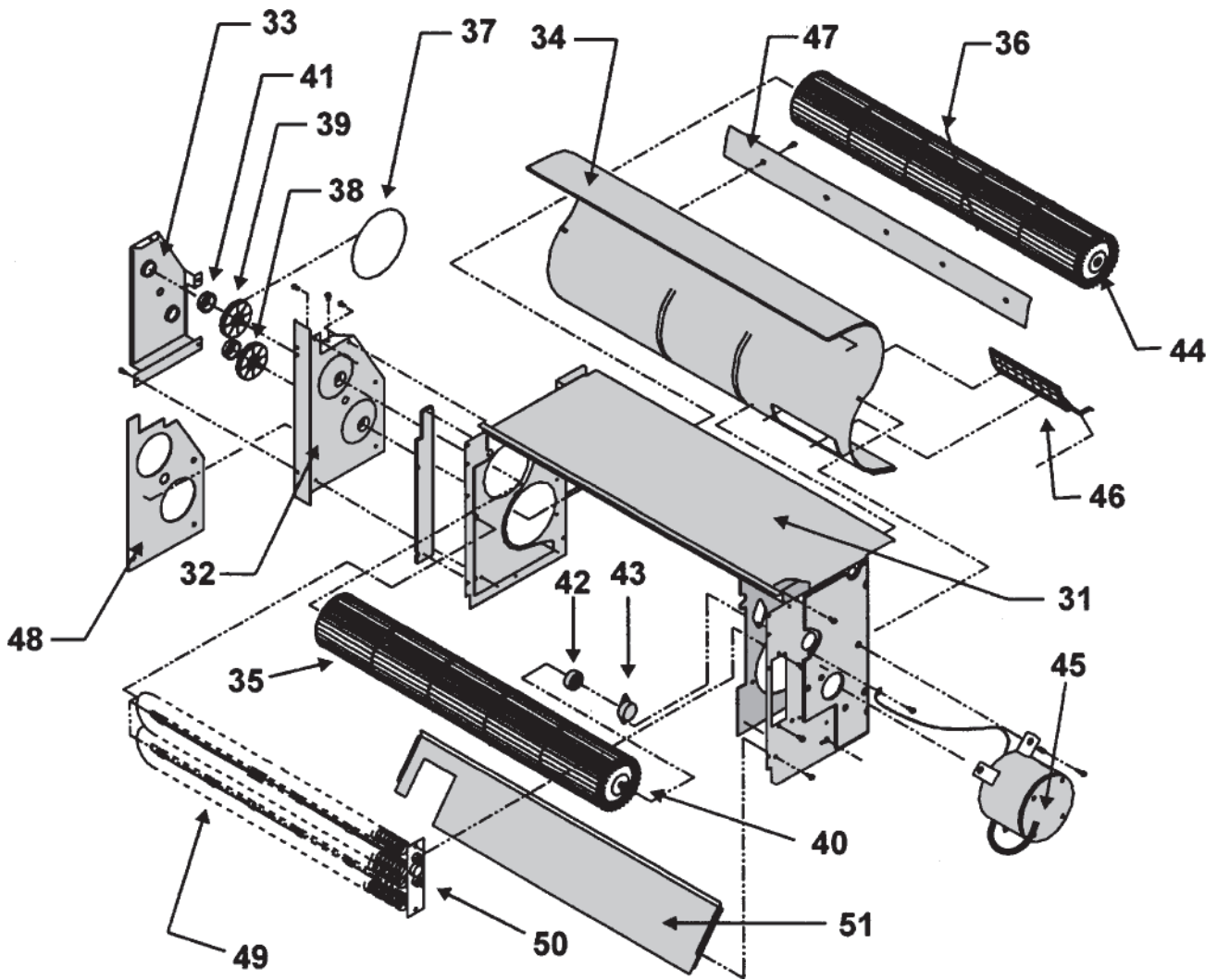
## Unit Assembly Parts List

Key	Part Number	Description	07	09	12	15	Notes
10	25016900	Coil, Evaporator	1				
	25018600	Coil, Evaporator		1	1	1	
N/S	20094777	Capillary, Tube .054X37"	1				
	21058777	Capillary, Tube .054X22"		1			
	21058804	Capillary, Tube .064X24"			1		
	21058885	Capillary, Tube Heating/Cooling .070X29"				1	*
NS	21058713	Capillary, Tube Heating .049X17"	1				Heat Pump
	21058787	Capillary, Tube Heating .049X13"		1			Heat Pump
	21058812	Capillary, Tube Heating .049X17"			1		Heat Pump
NS	21058587	Check Valve	1	1			Heat Pump
	21058568	Check Valve			1		
NS	25018200	Reversing Valve (less coil)			1	1	Heat Pump
	25018300	Reversing Valve (less coil)			1	1	Heat Pump
NS	21058643	Solenoid Coil Reversing Valve (230V)	1	1	1	1	Heat Pump
	21058644	Solenoid Coil Reversing Valve (265V)	1	1	1	1	Heat Pump
11	25024901	Compressor 230V	1				
	21058641	Compressor 230V		1			
	21091571	Compressor 230V			1		
	21091573	Compressor 230V				1	
	25024900	Compressor 265V	1				
	21058642	Compressor 265V		1			
	21091572	Compressor 265V			1		
	21091574	Compressor 265V				1	
12	25017000	Coil, Condenser	1	1			
	25017100	Coil, Condenser ( <i>Seacoast Protection</i> )	1	1			
	25019100	Coil, Condenser			1	1	
	25019200	Coil, Condenser ( <i>Seacoast Protection</i> )			1	1	
13	21058599	Overload, Compressor 230V	1				
	21090197	Overload, Compressor 230V		1			
	60364596	Overload, Compressor 230V			1		
	61764506	Overload, Compressor 230V				1	
	21058614	Overload, Compressor 265V	1				
	21058621	Overload, Compressor 265V		1			
	21090034	Overload, Compressor 265V			1		
	21091325	Overload, Compressor 265V				1	
14	25025900	Interior Grill (Starting w/ Serial No, JGJP)	1	1	1	1	
15	21058694	Screen	1	1	1	1	
16	25026100	Cut Off Plate - Evaporator	1	1	1	1	
17	21058833	Outdoor Condenser Cutoff	1	1	1	1	
18	21058553	Condensate Tube	1	1	1	1	
19	21058876	Distribution Tray	1	1	1	1	
20	21058402	Filter	1	1	1	1	note 1
	25025600	Filter (top removal only)	1	1	1	1	note 2
	21095059	Filter (Heavy Duty; 10 Pack Only)					note 1

\* A single capillary tube is used for both heating and cooling

\*\* Units JGHP and prior require both the intake grille and the cutoff plate if either is to be replaced.

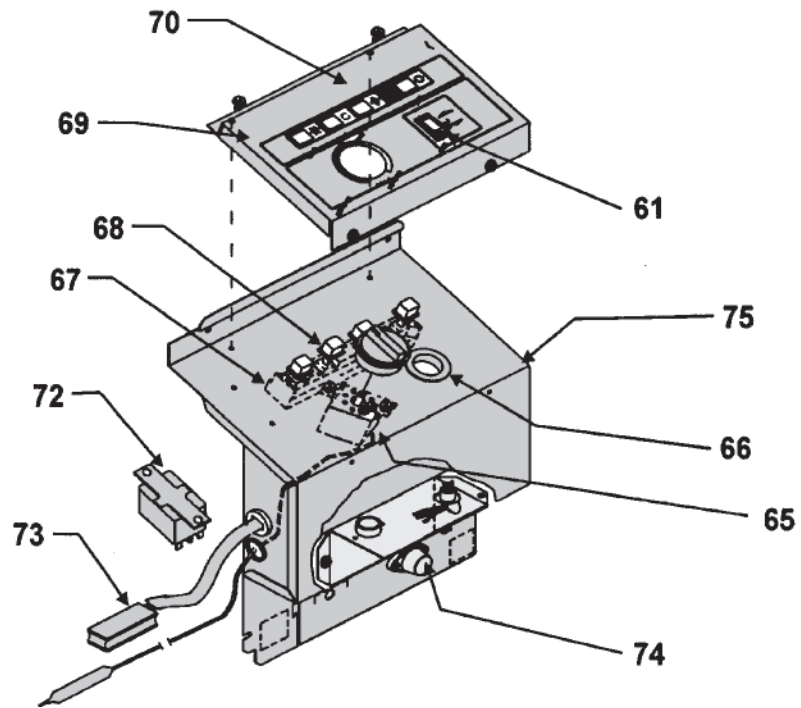
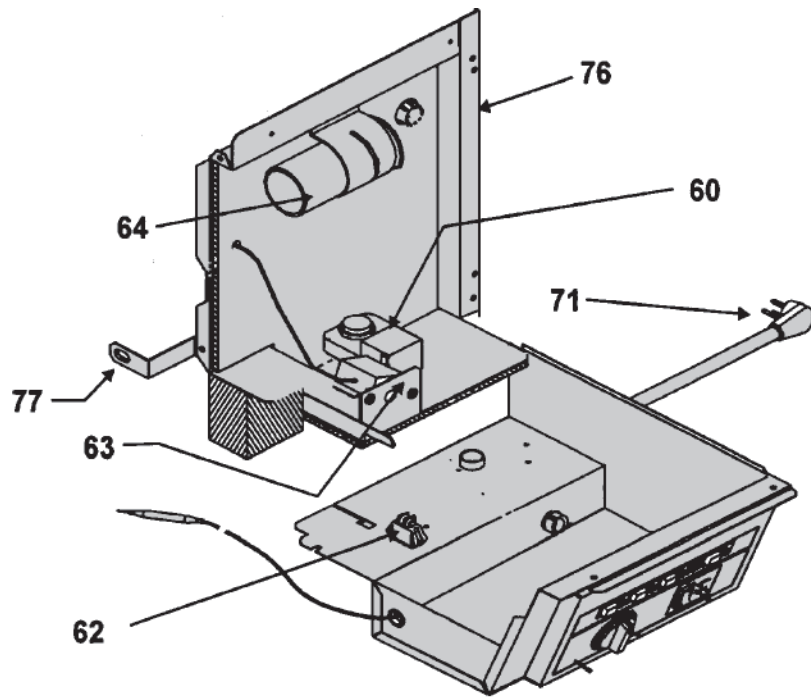
# Air Handler



## Air Handler Parts List

Key	Part Number	Description	07	09	12	15	Notes
31	21058386	Blower Housing	1	1	1		
	21058867	Blower Housing				1	
32	21062325	Blower Access Cover	1	1	1	1	
33	21062145	Plate, Bearing Support	1	1	1	1	
34	21058350	Scroll, Blower with Insulation	1	1	1		
	21059150	Scroll, Blower with Insulation				1	
35	25007800	Blower Wheel, Indoor (evaporator)	1	1	1	1	
36	25007801	Blower Wheel, Outdoor (condenser)	1	1	1		
	25007802	Blower Wheel, Outdoor (condenser)				1	
37	21064013	Belt (black)	1	1		1	
	21064014	Belt (clear)			1		
38	25009500	LH Pulley & Bearing Assy (outdoor wheel) 2.0"	1	1			
	25009400	LH Pulley & Bearing Assy (outdoor wheel) 2.5"			1	1	
39	25009200	RH Pulley & Bearing Assy (Indoor wheel) 3.0"	1	1	1		
	25009300	RH Pulley & Bearing Assy (Indoor wheel) 2.5"				1	
40	25009600	Short Shaft Bearing Assy (indoor wheel)	1	1	1	1	
41	21062146	Isolator (without hole, pulley end)	2	2	2	2	
42	21063375	Isolator (with hole idle end)	1	1	1	1	
43	21058509	Bearing Cap	1	1	1	1	
44	25021000	Outdoor Blower Flex Hub	1	1	1	1	
NS	25009700	RH Collar Plate	1	1	1	1	
NS	25009800	LH Collar Plate	1	1	1	1	
45	21061128	Motor, 230V 1/10hp	1				
	21061127	Motor, 230V 1/4hp		1	1		
	21061131	Motor, 230V 1/4hp				1	
	21061130	Motor, 265V 1/8hp	1				265V
	21061129	Motor, 265V 1/5hp		1	1		265V
	21061132	Motor, 265V 1/4hp				1	265V
46	21058397	Vent Door	1	1	1	1	
NS	21058398	Vent Door Lever	1	1	1	1	
NS	21058530	Spring, Vent Door Lever	1	1	1	1	
47	25006500	Retainer, Insulation	1	1	1		
	25006501	Retainer, Insulation				1	
48	21058387	Insulation, Blower Access Cover	1	1	1	1	
49	21058512	Heater, 2.5kW @ 230V	1	1	1	1	
	21058513	Heater, 3.4kW @ 230V	1	1	1	1	
	21058522	Heater, 5.0kW @ 230V	1	1	1	1	
	21058523	Heater, 2.5kW @ 265V	1	1	1	1	265V
	21058524	Heater, 3.4kW @ 265V	1	1	1	1	265V
	21058525	Heater, 5.0kW @ 265V	1	1	1	1	265V
50	21058407	Limit Switch, 2.5kW Heater	1	1	1	1	
	21058408	Limit Switch, 3.4kW Heater	1	1	1	1	
	21058409	Limit Switch, 5.0kW Heater	1	1	1	1	
51	21059141	Baffle	1	1	1	1	

# Control Box Assembly

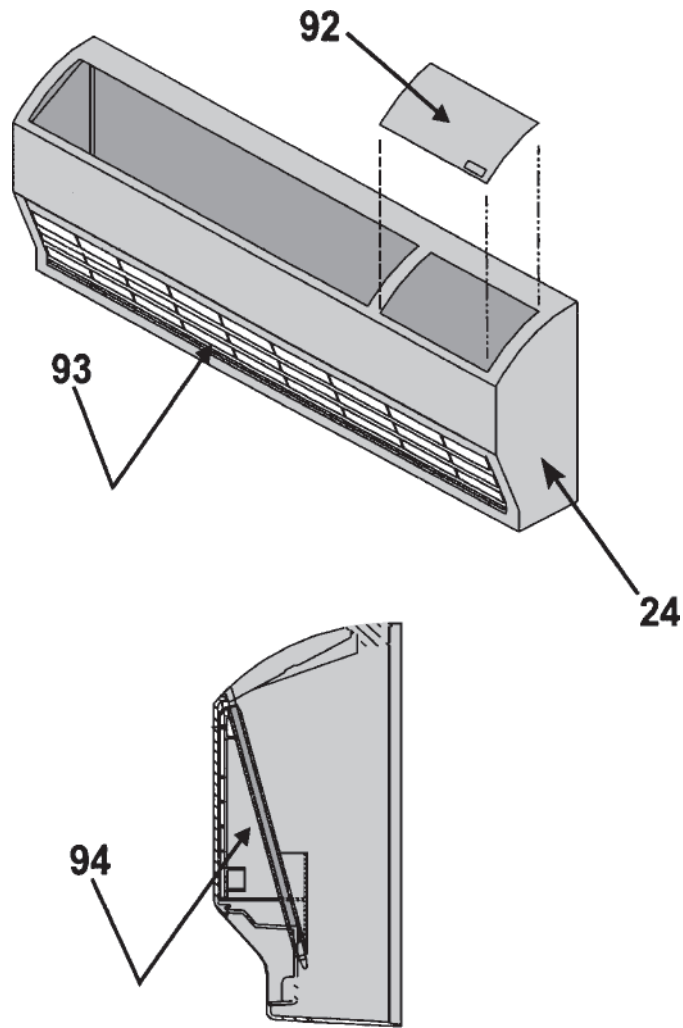




## Control Box Parts List

Key	Part Number	Description	07	09	12	15	Notes
60	25032800	Pump, Condensate 230V	1	1	1	1	
	25032900	Pump, Condensate 265V	1	1	1	1	265V
61	21058433	Switch, Fan Speed Hi/Lo	1	1	1	1	
62	21058433	Switch, Fan Continuous/Cycle	1	1	1	1	
63	25011100	Thermostat, Defrost	1	1	1	1	Heat Pump
64	61080345	Capacitor 15/7.5mfd@440V 230V	1	1			
	61080343	Capacitor 15/5.0mfd@370V 265V	1				265V
	61080339	Capacitor 25/5.0mfd@370V 265V		1			265V
	61080337	Capacitor 25/7.5mfd@370V 230V			1	1	
	61080344	Capacitor 25/5.0mfd@440V 265V			1	1	265V
65	61822401	Thermostat, Indoor	1	1	1	1	
	21058517	Thermostat, Indoor	1	1	1	1	Note 3
	25026700	Thermostat, (Kit for units prior to s/n JFLS )	1	1	1	1	Note 3
66	21058437	Knob, Thermostat	1	1	1	1	
NS	21058518	Retainer Clip, Thermostat Bulb (21058517)	1	1	1	1	
NS	61715101	Retainer Clip, Thermostat Bulb (61822401)	1	1	1	1	
67	25033400	Switch, Push-button 4 position	1	1	1	1	
	21058708	Switch, Push-button 3 position no heat unit	1	1	1	1	
68	21058728	Push-button	4	4	4	4	
69	21058427	Plate, Control Box	1	1	1	1	
70	21058516	Plate, Dial	1	1	1	1	
71	21058582	Cord, 15 amp (2.5 kW@230V)	1	1	1	1	
	21058583	Cord, 20 amp (3.4 kW@230V)	1	1	1	1	
	21058584	Cord, 30 amp (5.0 kW@230V)	1	1	1	1	
72	60084036	Relay, Heat Anticipator (230V)	1	1	1	1	note 2
	60084037	Relay, Heat Anticipator (265V)	1	1	1	1	note 2
73	25027901	Heat Anticipator (230V)	1	1	1	1	note 2
	25027900	Heat Anticipator (265V)	1	1	1	1	
74	21058444	Fuse Holder (2.5 kW @ 265V)	1	1	1	1	265V
	21058446	Fuse Holder (3.4 kW @ 265V)	1	1	1	1	265V
	21058447	Fuse Holder (5.0 kW @ 265V)	1	1	1	1	265V
NS	21058448	Fuse Time Delay (2.5 kW @ 265V)	1	1	1	1	265V
	21058449	Fuse Time Delay (3.4 kW @ 265V)	1	1	1	1	265V
	21058451	Fuse Time Delay (5.0 kW @ 265V)	1	1	1	1	265V
75	25028000	Control Box	1	1	1	1	
76	21062001	Divider Wall	1	1	1	1	
77	21058398	Vent Door Lever	1	1	1	1	
NS	21058530	Spring, Vent Door Lever	1	1	1	1	

## Front Cover & Front Cover Parts List



### Front Cover Parts

Key	Part Number	Description	07	09	12	15	Notes
91	21067151	Front Cover Complete (includes #92 & #93)	1	1	1	1	note 1
	25027500	Front Cover Complete (includes #92 & #93)	1	1	1	1	note 2
92	25031900	Control Door	1	1	1	1	
93	21058685	Return Air Grill	1	1	1	1	
94	25025600	Filter (top removal only)	1	1	1	1	note 2
NS	21058402	Filter	1	1	1	1	note 1
NS	21095059	Filter (heavy duty) (10 pack only)					note 1

## Central Desk Control, Remote Thermostat, Drain Kits and Flex Drive Parts

### **Central Desk Control Models**

Key	Part Number	Description	07	09	12	15	Notes
NS	21091127	Fan/Lo Temp Relay	2	2	2	2	
	21091155	Fan/Lo Temp Relay 265V	2	2	2	2	265V
NS	21058986	Terminal Board Low Voltage	1	1	1	1	
NS	21058148	Central Desk Relay	1	1	1	1	
NS	21059022	Lo Temperature Thermostat	1	1	1	1	

### **Remote Thermostat Models**

Key	Part Number	Description	07	09	12	15	Notes
NS	21056363	Heat Relay	1	1	1	1	
NS	20612254	Terminal Board	1	1	1	1	
NS	21059023	Suction Line Thermostat	1	1	1	1	
NS	21056899	Transformer (230V)	1	1	1	1	
NS	21091226	Transformer (265V)	1	1	1	1	265V
NS	21058148	Thermostat/Low Voltage/Fan Relay	3	3	3	3	

### **Drain Kits and Flex Drive Retrofit Kits**

Key	Part Number	Description	07	09	12	15	Notes
NS	25031800	Individual Drain Kit	1	1	1	1	
NS	25010000	Flex Drive Retrofit Kit	1	1			note 4
NS	25010001	Flex Drive Retrofit Kit with Bearing Support	1	1			note 5
NS	25009900	Flex Drive Retrofit Kit			1		note 4
NS	25009901	Flex Drive Retrofit Kit with Bearing Support			1		note 5
NS	25010100	Flex Drive Retrofit Kit				1	note 4
NS	25010101	Flex Drive Retrofit Kit with Bearing Support				1	note 5

### **Service Parts List**

Key	Part Number	Description	07	09	12	15	Notes
NS	60308101	Suction Line Drier	1	1	1	1	
NS	61481300	Liquid Line Drier	1	1	1	1	

### **Notes & Comments**

Note	Units Affected	Notes & Comments
Note 4	All "T*C", "T*B" & retrofitted "T*A" models	These kits are to retrofit any "T" series PTAC tolerance ring "Flex Drive" to the Friedrich Drive system. Friedrich units with serial number prefix "J ECS....." to "J ELS....." were manufactured with the tolerance ring design.
Note 5	All "T*A" never retrofitted	ICP manufactured units that have not been retrofitted to an outboard bearing.
Note 6	All "T" Series Wall Sleeves	Allows for connection to an external condensate drain system for excess condensate removal.

**Use Factory Certified Parts.**



**FRIEDRICH AIR CONDITIONING CO.**

Post Office Box 1540 · San Antonio, Texas 78295-1540  
4200 N. Pan Am Expressway · San Antonio, Texas 78218-5212  
(210) 357-4400 · FAX (210) 357-4480  
[www.friedrich.com](http://www.friedrich.com)

Printed in the U.S.A.

**WMPTAC02 (10-02)**