



4 Bay eSATA RAID 0/1/10/5/JBOD SUB SYSTEM

w/ 6G PCIe Card

RSV-S4-6G

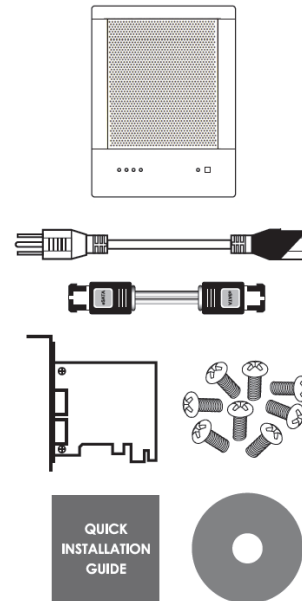
Quick Installation Guide

Thank you for purchasing a quality Rosewill Product.
Please register your product at : www.rosewill.com for
complete warranty information and future support for your product.

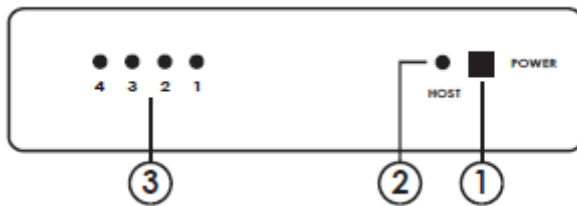
Package Contents for RSV-S4-6G

Item	Quantity
RSV-S4-6G	1
Power cord	1
eSATA cable	1
2-port eSATA PCIe Adapter	1
Screws Set	1
Quick Installation Guide	1
CD Manual	1

* Please contact Rosewill customer service in case of anything missing



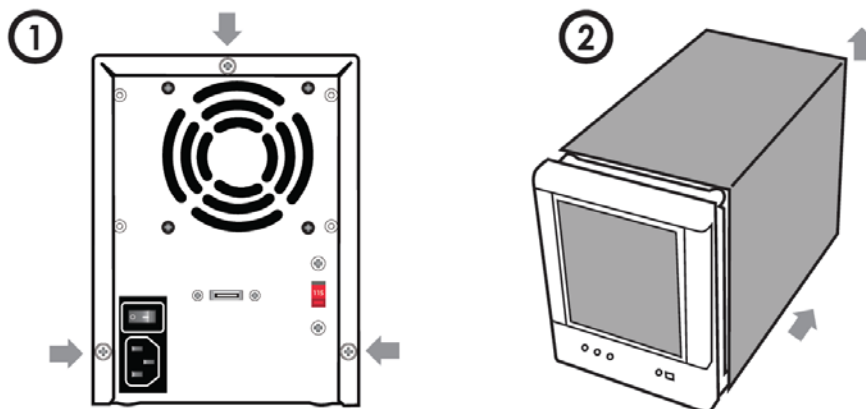
LED Indicators



1. **Power LED** - Lights when unit is powered on.
2. **PC Link LED** - Lights when unit is connected to computer.
3. **HDD LEDs** - Green: HDD is installed. Orange: HDD is being accessed.

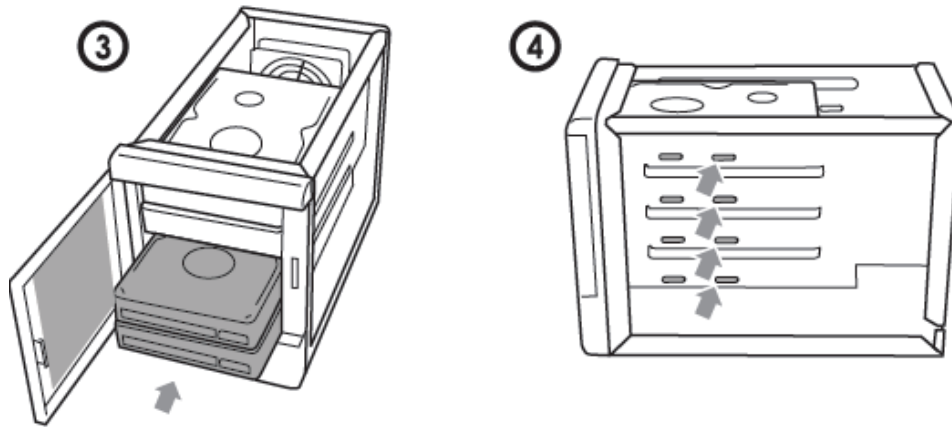
Hard Drive Installation

1. Remove the tool-less screws on the back panel.
2. Remove the upper chassis cover backwards and lift it upward.



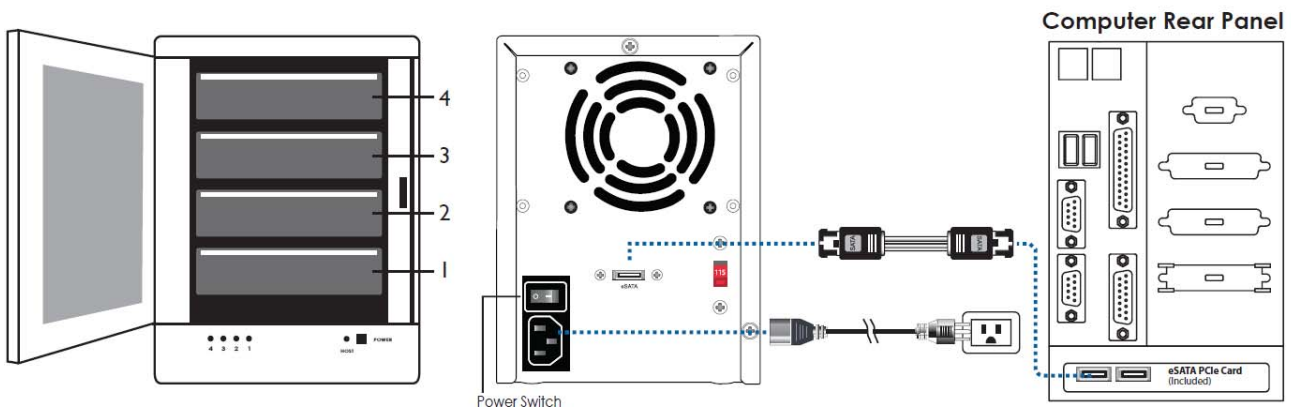
3. Open the front panel and install the HDD from the top to bottom.

4. Fasten the tool-less screws to secure the HDD.



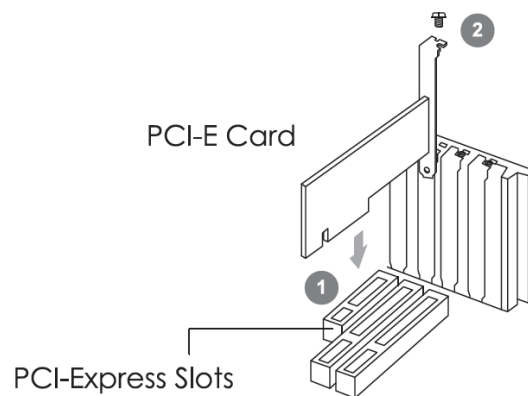
5. Close the front panel and the chassis cover, and fasten the tool-less screws on the back panel.

Hardware Connection Diagram



Installing the PCIe Adapter Card to a Computer

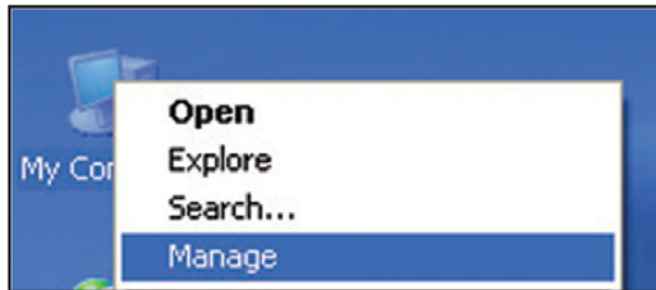
Insert the PCIe Card into an available PCIe Slot on your computer (Step 1) and secure with screw (Step 2).



Windows System Installation

Step 1

From your desktop, point the cursor at “My Computer”, right click and select “Manage”.



Step 2

Right click on “Mass Storage Controller” and select “Update Driver”.



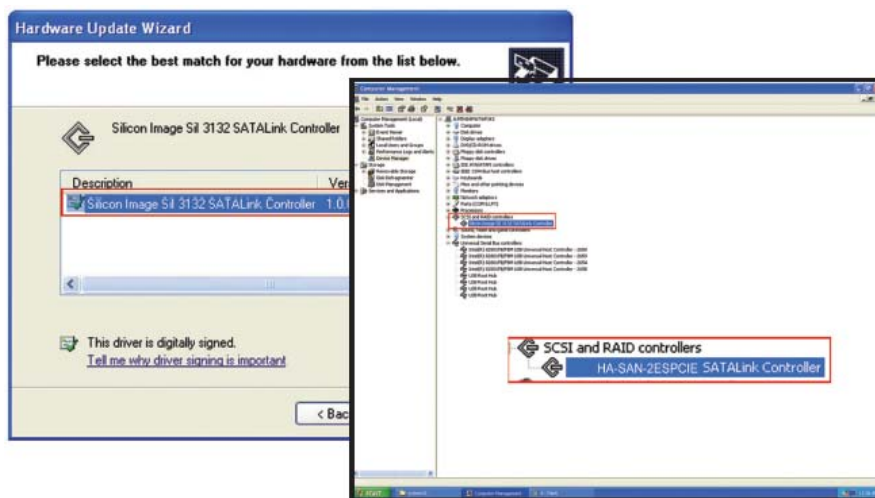
Step 3

Select “Manual Setup (Recommended Selection)”, specify driver from CD-Rom.



Step 4

Select the driver and begin installation process. After SATA card installation is completed, it will be ready for use.



RAID Mode Setup and Diagrams

To setup RAID mode, please insert the included CD into the computer and install the SATA RAID Utility. Follow the installation guide in the Detailed Manual to fully setup the desired RAID mode.

