

TND4003X High-Resolution Color Dome Camera

X Line



FEATURES

- Easy Power (12V DC)
- High Resolution 480 TV Lines
- 48 dB Signal/Noise Ratio
- Automatic Gain Control (AGC) = On
- Auto White Balance = On
- Low Light Requirements (0.5 lux)
-

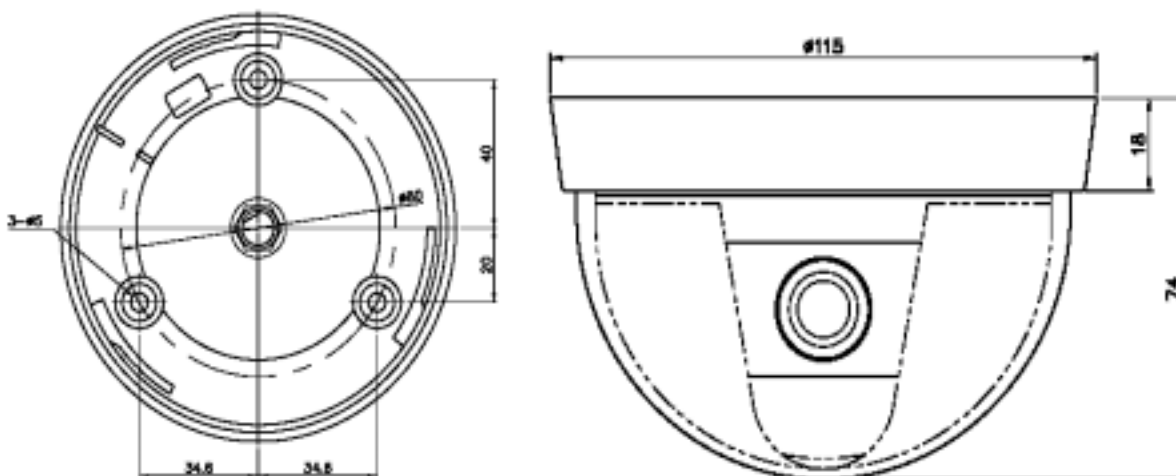
Full-featured high-resolution fixed dome camera delivers crisp, crystal clear, color images even in low light.

ESTIMATE

ELMO TND4003X High-Resolution Color Dome Camera

Pick-up Device	1/3" Color interline transfer CCD
Effective Picture Element	768 (H) x 494 (V)
Scanning Area	4.92mm (H) x 3.70mm (V)
TV System	NTSC compatible
Scanning System	2:1 interlaced
Scanning Frequency	15.734kHz (H) 59.94Hz (V)
Synchronization	Internal
Resolution	480TV lines (H), 350TV lines (V)
S/N Ratio	45 dB (AGC Off)
Minimum Illumination	0.5 Lux
Automatic Gain Control (AGC)	On
White Balance	Auto
Video Out	VBS 1.0Vp-p/75Ω
Built-in Lens	fixed (4mm)
Power Source	DC 12V
Ambient Temperature	-10°C -50°C (14°F -122°F)
Dimensions	Diameter: 115mm (4.53") Height: 76mm (2.99")

DIMENSIONS



ELMO Mfg. Corp.
1478 Old Country Road
Plainview, New York, 11803
Tel. 516.501.1400
Fax. 516.501.0429
www.elmoussa.com

ELMO Canada Mfg. Corp.
44 West Drive, Brampton,
Ontario, L6T 3T6, Canada
Tel. 905-453-7880
Fax. 905-453-2391
www.elmocanada.com

ELMO