

LE-SS/A, LE-SSR

Vandal Resistant Sub Stations for LAF-C, LEF, LEM, AP-M, MP-S Systems

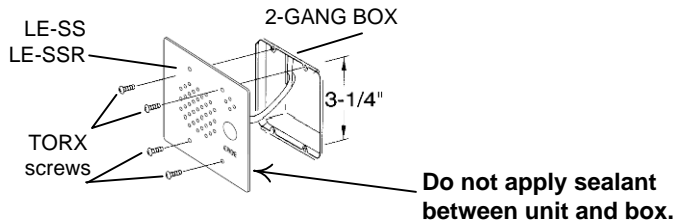
- INSTRUCTIONS -

The LE-SS and LE-SSR are 2-gang stainless steel vandal proof and weather resistant sub stations designed for use with the systems listed above. They are constructed with 12 gauge stainless steel, and the LE-SSR features a red mushroom call button. The units either flush mount into a 2-gang box, or surface mount with the SBX-2G. Each unit includes tamper proof screws and a tool for installation.

INSTALLATION:

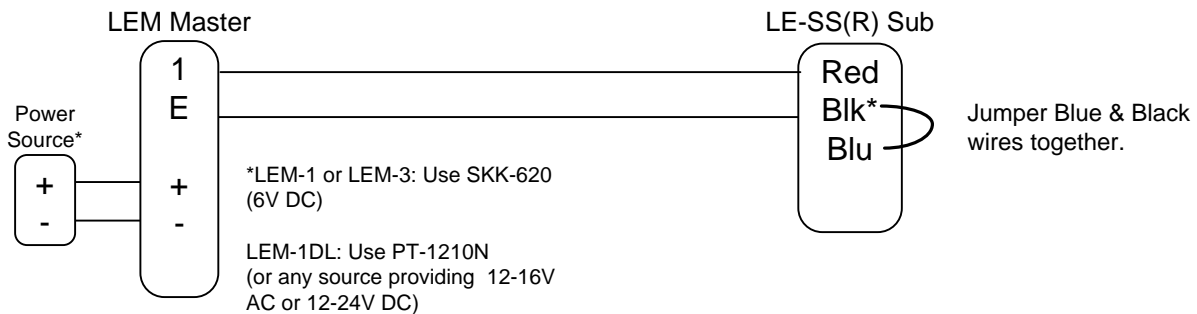
1. For flush mounting, install sub station in standard 2-gang electrical box with min. 2-1/2" depth.
2. For surface mounting, install sub station in the SBX-2G surface mount enclosure.
3. **IMPORTANT!** These units are designed for use in normal weather conditions, and to allow drainage and evaporation of moisture that naturally gets into the unit. **Do not apply caulking or silicone sealant around the unit when installing, and do not use weather stripping around the perimeter of the box when mounting.** If sealing the unit is required, the bottom must remain unsealed. Sealing the unit will prevent or inhibit moisture from dissipating from inside the unit, which may cause corrosion or deterioration to the internal components over time.

MOUNTING:

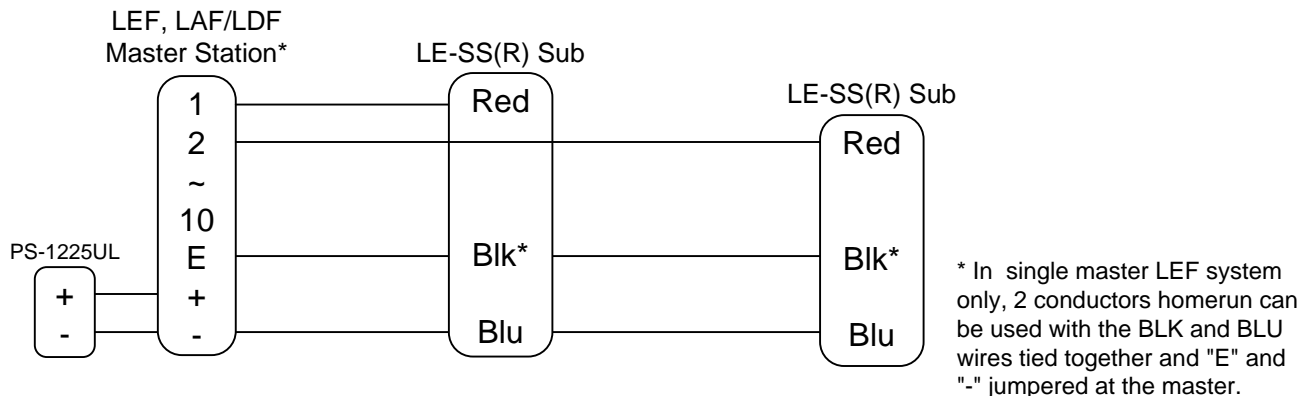


WIRING DIAGRAMS:

LEM SYSTEM:

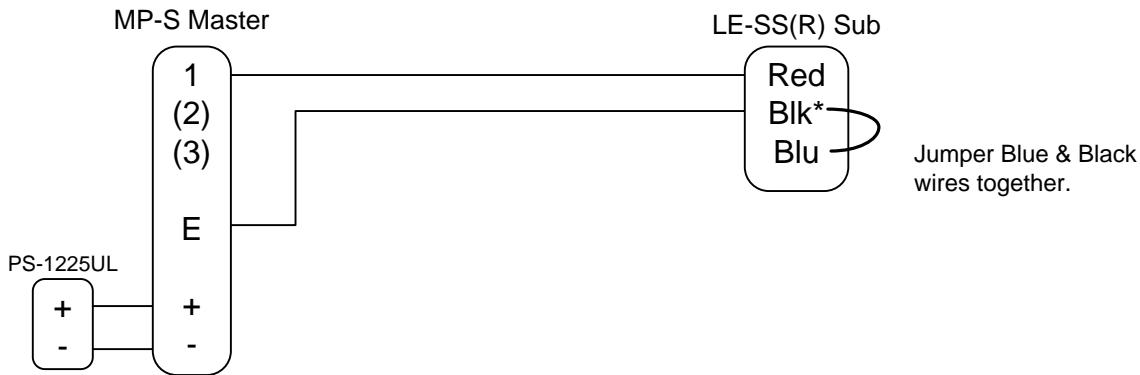


LEF SYSTEM:

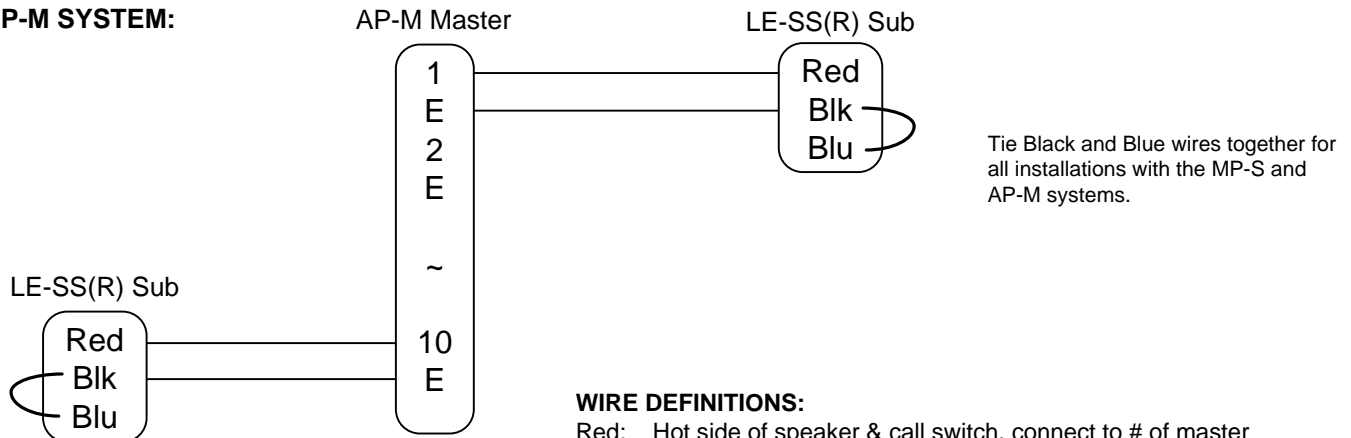


WIRING DIAGRAMS:

MP-S SYSTEM:



AP-M SYSTEM:



WIRE DEFINITIONS:

Red: Hot side of speaker & call switch, connect to # of master
 Black: Common communication, connect to E of master
 Blue: Negative side of call switch

Intercom wiring must be run at least 20" away from any AC wiring, fluorescent lighting, dimmer switches, or any other electronic device that may cause interference.

SPECIFICATIONS:

Power Source:	Supplied by master station
Speaker:	20 ohms, 4W, 2.5" diameter, water proof and puncture resistant, 2.4 oz. magnet
Call Button:	SPST call button. Call tone rings at master as long as button is held down. LED will remain lit for approx. 20 seconds (LEF, LEM-3, MP-3S, AP-5/10M only). Call tone only on LEM-1DL, LEM-1, and MP-1S. LE-SS: Limited stop button. LE-SSR: Limited stop, red mushroom button
Communication:	Hands free at sub. Master is push-to-talk, release-to-listen.
Faceplate:	12 gauge stainless steel
Mounting:	Flush mount into a 2-gang box. Surface mount into SBX-2G, sold separately. Tamper proof screws included (6x32 for use with flush gang box) with T-10 TORX bit. Use hardware included with SBX-2G when installing sub into that unit.
Terminations:	Color-coded prewired pigtails
Operating Temperature:	Speaker rating: -67°F to 187°F LE-SS Switch rating: 14°F to 158°F; LE-SSR Switch Rating: -22°F to 185°F
Wiring:	2 conductors in a 1-master LEF, MP-S, or AP-M system. 3 conductors in a multi-master LEF system. Shielded cable is recommended. Use Aiphone #822202 for LEM or MP-S. Use #822202 or #822203 for LEF. Use #832202 for AP-M systems.
Wiring Distance:	See system that unit is being used with for distance specifications.
Dimensions (H x W x D):	LE-SS/-SSR alone: 4-11/16" x 4-11/16" x 2" With SBX-2G: 4-3/4" x 4-7/8" x 3-5/8" (Top) 2-3/8" (Bottom)