



AD-76 Aquatex Parts Manual 1995 thru 1999

American Dryer Corporation
88 Currant Road
Fall River, MA 02720-4781
Telephone: (508) 678-9000 / Fax: (508) 678-9447
e-mail: techsupport@amdry.com

Retain This Manual In A Safe Place For Future Reference

American Dryer Corporation products embody advanced concepts in engineering, design, and safety. If this product is properly maintained, it will provide many years of safe, efficient, and trouble-free operation.

ONLY properly licensed technicians should service this equipment.

OBSERVE ALL SAFETY PRECAUTIONS displayed on the equipment or specified in the installation/operator's manual included with the dryer.

WARNING: UNDER NO CIRCUMSTANCES should the door switch or the heat circuit devices ever be disabled.

WARNING: The dryer must never be operated with any of the back guards, outer tops, or service panels removed. PERSONAL INJURY or FIRE COULD RESULT.

We have tried to make this manual as complete as possible and hope you will find it useful. ADC reserves the right to make changes from time to time, without notice or obligation, in prices, specifications, colors, and material, and to change or discontinue models.

Important

For your convenience, log the following information:

DATE OF PURCHASE _____ MODEL NO. AD-76 Aquatex

DISTRIBUTORS NAME _____

Serial Number(s) _____

Replacement parts can be obtained from your distributor or the ADC factory. When ordering replacement parts from the factory, you can FAX your order to ADC at (508) 678-9447 or telephone your orders directly to the ADC Parts Department at (508) 678-9000. Please specify the dryer **model number** and **serial number** in addition to the **description** and **part number**, so that your order is processed accurately and promptly.

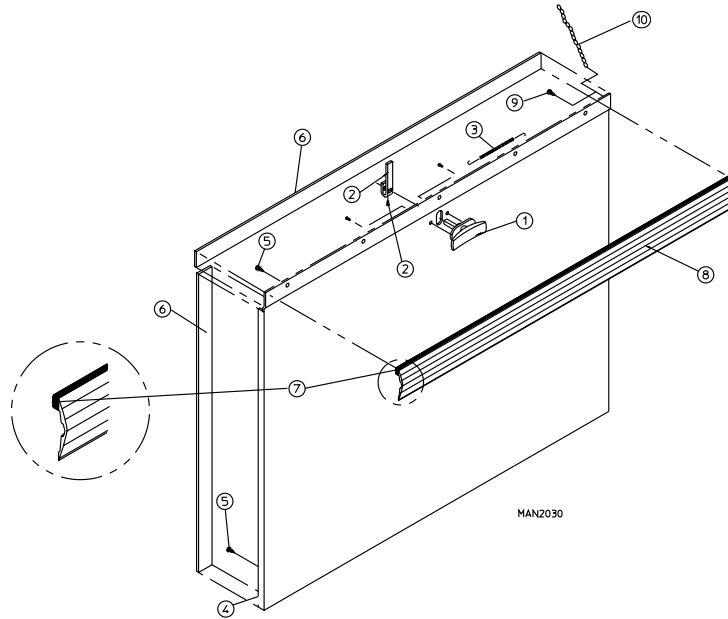
The illustrations on the following pages may not depict your particular dryer exactly. The illustrations are a composite of the various dryer models. Be sure to check the descriptions of the parts thoroughly before ordering.

“IMPORTANT NOTE TO PURCHASER”

Information must be obtained from your local gas supplier on the instructions to be followed if the user smells gas. These instructions must be posted in a prominent location near the dryer.

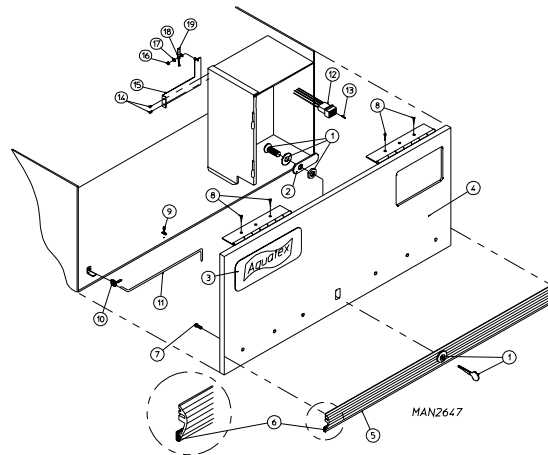
Table of Contents

DROP LINT DOOR ASSEMBLY	2
HIGH SECURITY CONTROL DOOR ASSEMBLY	3
MICROPROCESSOR CONTROL PANEL ASSEMBLY	4
FRONT PANEL ASSEMBLY	5
MAIN DOOR SWITCH HOUSING	6
MAIN DOOR ASSEMBLY	7
LINT TRAP ASSEMBLY	8
BASKET (TUMBLER)/SUPPORT ASSEMBLY	9
TUMBLER BEARING ASSEMBLY	10
IDLER BEARING ASSEMBLY	11
TOTALLY ENCLOSED, FAN-COOLED MOTOR MOUNT ASSEMBLY	12, 13
TUMBLER HI-LIMIT SENSOR BRACKET	14
HUMIDITY TRANSMITTER ASSEMBLY	15
ELECTRIC OVEN ASSEMBLY	16, 17
SAIL SWITCH/HIGH LIMIT ASSEMBLIES	18
BURNER BOX/GAS & L.P.	19
REAR ELECTRIC PANEL ASSEMBLY 115V GAS	20
REAR ELECTRIC PANEL ASSEMBLY 208-240V GAS	21
REAR ELECTRIC PANEL ASSEMBLY 208-240V ELECTRIC	22
REAR ELECTRIC PANEL ASSEMBLY 416V ELECTRIC	23
DISCONNECT PANEL ASSEMBLY 115V GAS	24
DISCONNECT PANEL ASSEMBLY 208-240V GAS	25
DISCONNECT PANEL COVER GAS	26
MAIN ELECTRICAL DISCONNECT/AIR FILTER ASSEMBLY ELECTRIC	27
REAR VIEW ELECTRIC	28
REAR VIEW GAS	29
REAR & TOP PANEL ASSEMBLY GAS	30
REAR & TOP PANEL ASSEMBLY ELECTRIC	31
ELECTRIC OVEN COMPONENT APPLICATION CHART	32
ADDITIONAL PARTS AVAILABLE	33



Illus. No.	Part No.	Qty.	Description
1	800150	1	Knob Latch Kit Assembly (includes illus. nos.1 and 2)
	160200	1	Knob Latch ONLY with 2 Screws (without cam)
	160003	1	Dummy Lock ONLY
2	160008	1	Lock Cam for AD-100 and Dummy Lock
	160009	1	Knob Latch Adjustable Cam ONLY
	150425	1	#12-24 x 3/8" Round Head Machine Screw ONLY (screw for Knob Latch Adjustable Cam)
3	157000	1	Drop Lint Door Spring
4	881318	1	AD-76AQ Insulated Drop Lint Door Assembly (includes illus. nos. 4 through 8)
	881317	1	AD-76AQ Stainless Steel Insulated Drop Lint Door Assembly (includes illus. nos. 4 through 8)
5	150201	6	# 10-32 x 1/3" Phillips Pan Head TEK Screw
6	117604	7	Neoprene Sponge Tape (sold by the foot)
7	117603	3	Sponge Tape / Gasket (sold by the foot) for models mfd. as of February 8, 1995
	102307	3	Trim Bumper Gasket (sold by the foot) for models mfd. prior to February 8, 1995
8	180212	1	Mid Trim / Kick Plate - Gray (38-1/4" length)
9	150419	2	# 6 x 1/2" Tamper Proof TEK Screw
10	108120	1	Chain for Drop Lint Door (10-1/2" length)
—	150418	1	Tamper Proof Screw Hand Driver

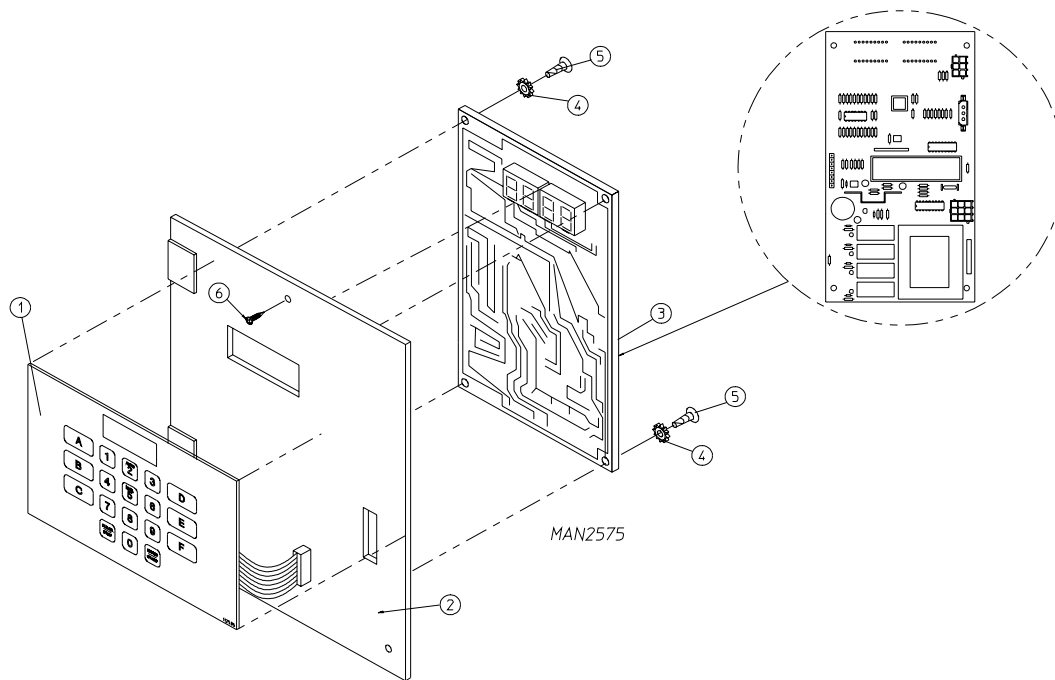
* Specify color when ordering.



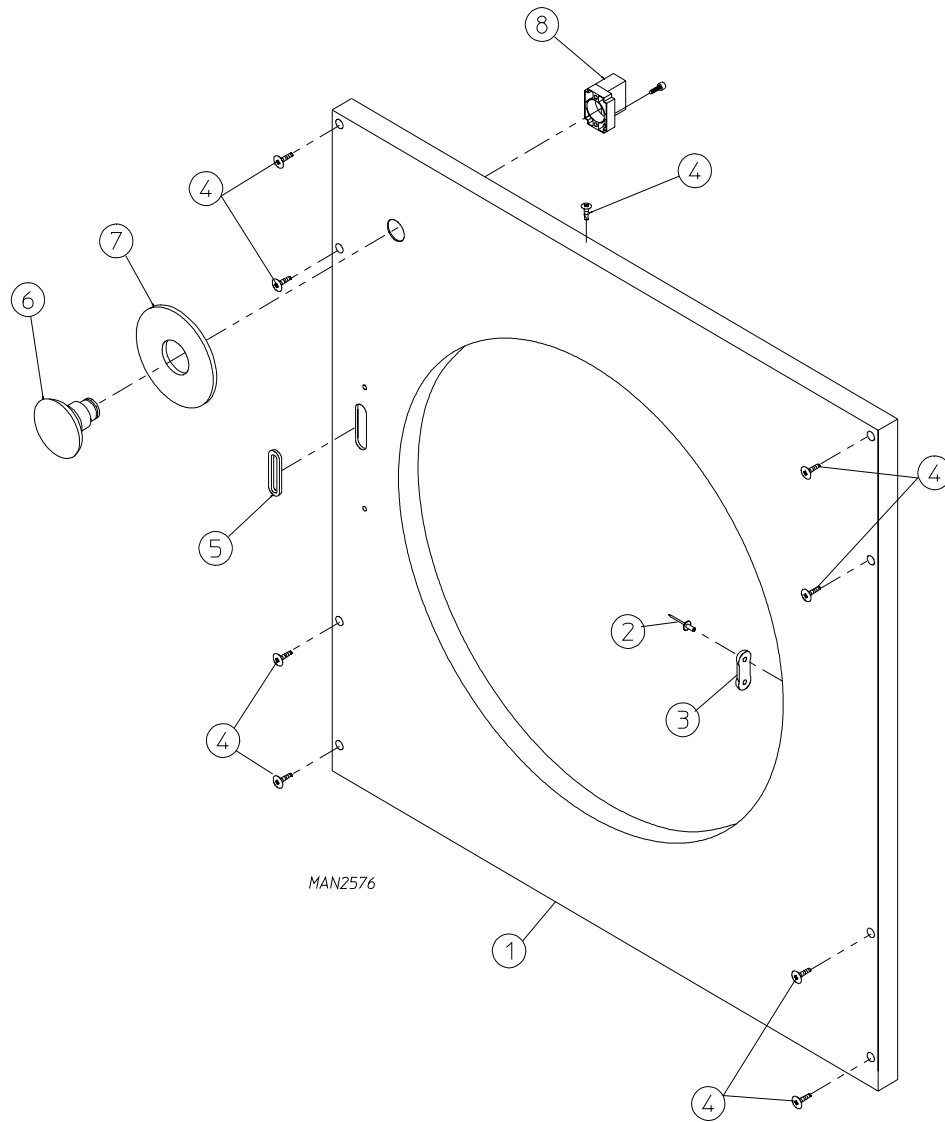
Illus. No.	Part No.	Qty.	Description
1	160017	1	Special Dummy Lock Only
	160104	1	Lock Cam ONLY
2	160016	1	Lock Cam ONLY
3	881053	1	ADC Logo with Tape
4	881315*	1	AD-76AQ Control Door Assembly (includes illus. nos. 4 through 7)
	881316*	1	AD-76AQ Stainless Steel Control Door Assembly (includes illus. nos. 4 through 7)
5	180202	1	AD-76AQ Top Trim Strip (Gray) with Lock Hole (38-1/4" length)
6	117603	3	Sponge Tape / Gasket (sold by the foot)
7	150201	6	# 10-32 x 1/4" Phillips Round Head Machine Screw
8	150415	4	# 10-32 x 1/2" Phillips Round Head Crimpite Screw
9	102600	1	Control Door Rod Support Catch
10	102600	1	Control Rod Retainer Clip
11	102502	1	Control Door Support Rod
12	122641	1	15 Pin Microprocessor Connector
13	122706	**	Sockets
14	153000	2	#10 x 1/2" Hex Head Machine Screw
15	319754	1	Bracket
16	152001	1	8-32 Hex Nut
17	153018	1	#8 Internal Star Washer
18	121488	1	3/8" Rubber Cushioned Clamp
19	136989	1	Humidity Sensor Assembly

* Specify color when ordering.

** As required

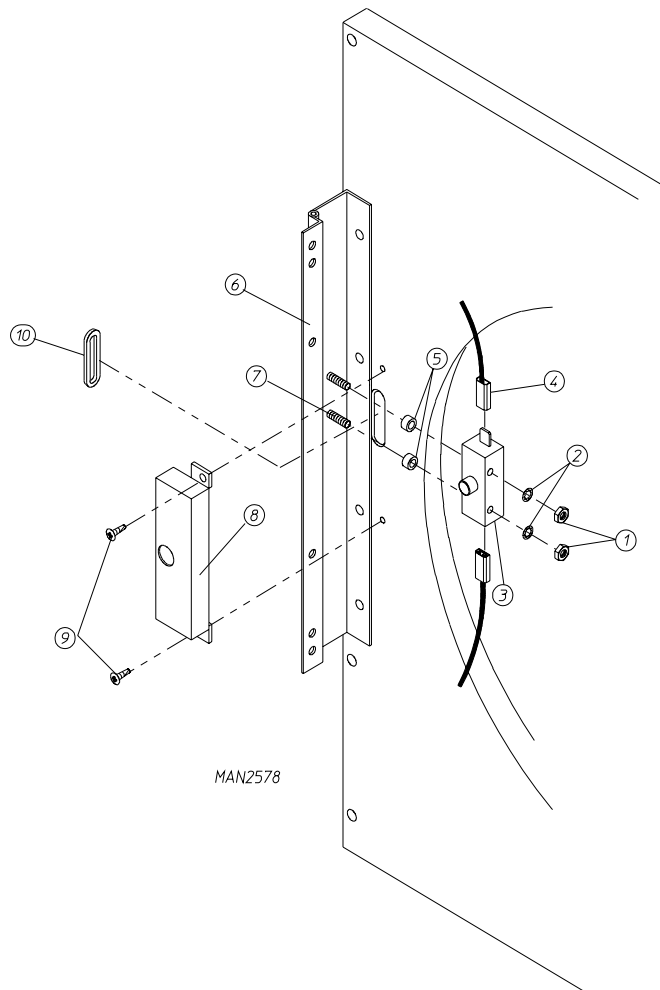


Illus. No.	Part No.	Qty.	Description
1	112535	1	OPL English Keyboard Label Assembly
2	801255	1	Phase 5 Microprocessor Control Panel Only
	881319	1	Aquatex Microprocessor Control Panel Assembly Complete (includes illus. nos. 1 through 6)
3	137108	1	Aquatex Microprocessor Board
4	153010	2	# 6 Star Washer
5	150005	2	# 6-32 x 1/4" Phillips Round Head Machine Screw
6	150415	1	# 10-16 x 1/2" Phillips Round Head Crimptite Screw

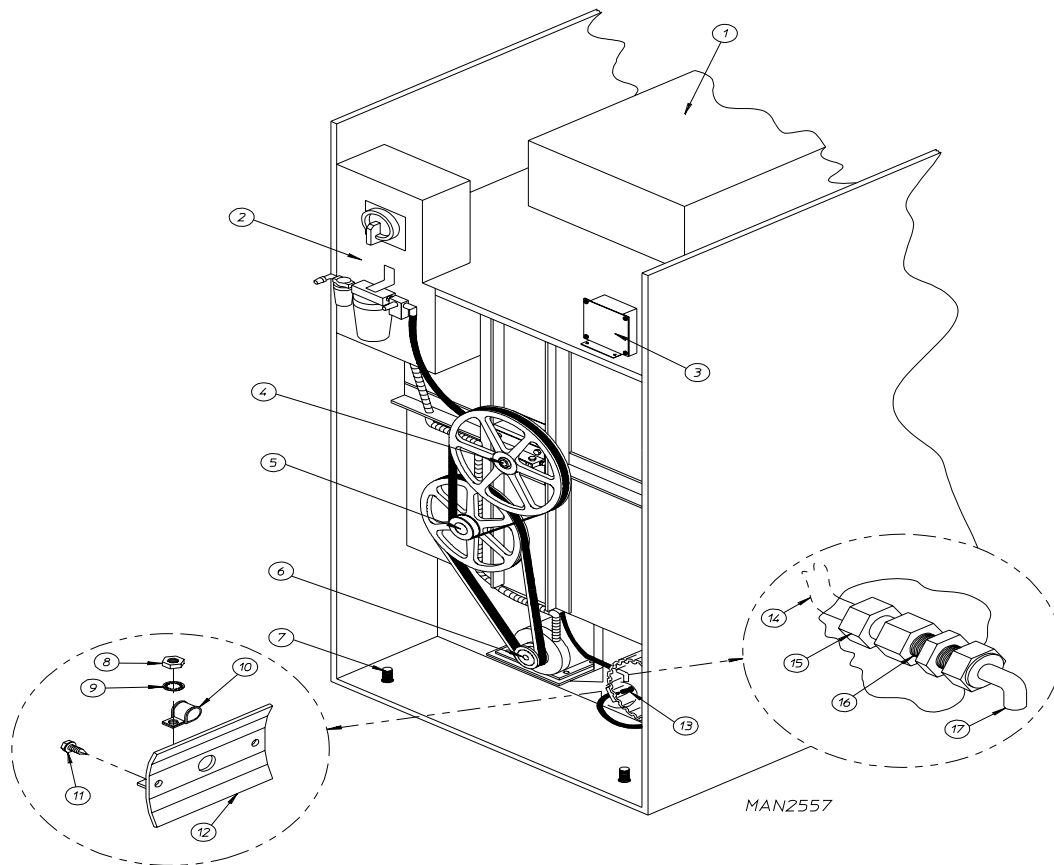


Illus. No.	Part No.	Qty.	Description
1	881326*	1	Left Hand Front Panel (includes illus. nos. 1 through 3, 5)
	881327*	1	Stainless Steel Left Hand Front Panel (includes illus. nos. 1, 2, 3, 5)
2	154215	2	5/32" Pop Rivet
3	170330	1	Friction Door Latch
4	150415	8	#10-16 x 1/2" Phillips Round Head Crimptite Screw
5	121405	1	Rubber Grommet
6	122351	1	Large E-Stop Twist & Lock Operator
7	122419	1	"Emergency Stop" Label
8	132395	1	N.C. Contact Block w/Base

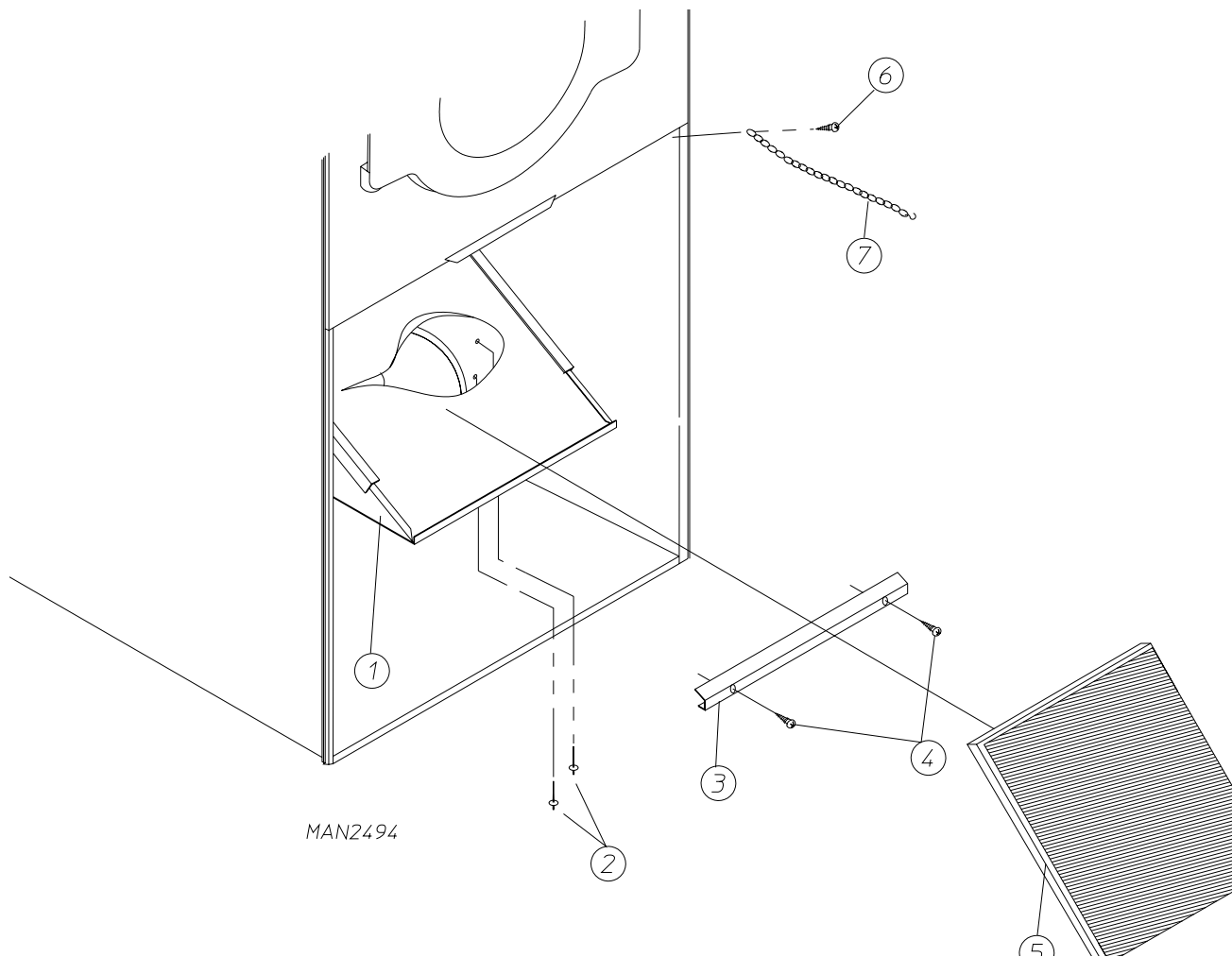
* Specify color when ordering.



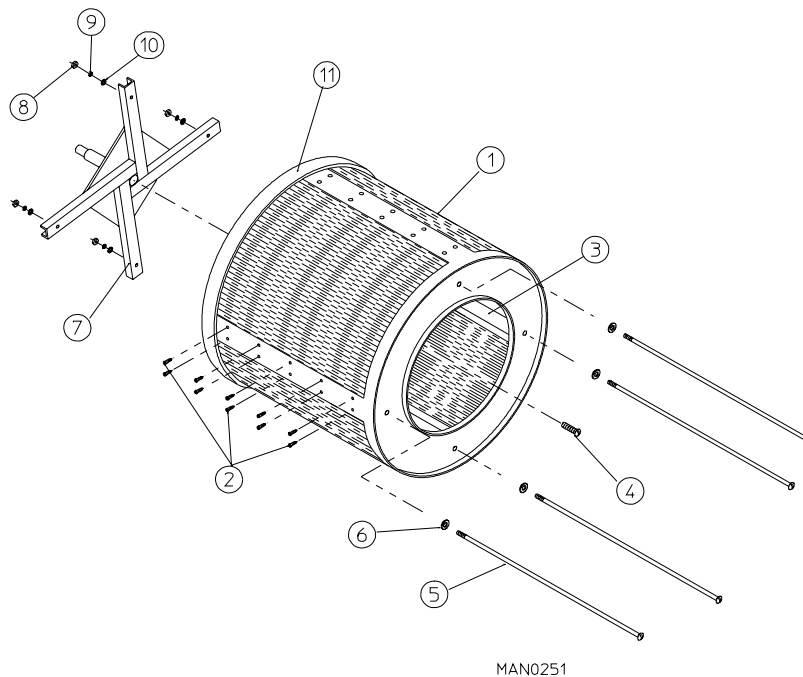
Illus. No.	Part No.	Qty.	Description
1	152013	2	# 6-32 Hex Nut
2	153008	2	# 6 Lock Washer
3	137005	1	Single Pole Door Switch
4	121028	2	Insulated Female Terminal
5	154281	2	3/8" Standard Nylon Spacers
6	800448	1	12 1/2" Stainless Steel Main Door Hinge Assembly (includes illus. nos. 6 and 7)
7	153565	2	# 6-32 x 1" Self Clinching Stud
8	313218	1	Main Door Switch Housing
9	150201	2	# 10-32 x 1/4" Phillips Pan Head Screw
10	121405	1	Rubber Grommet



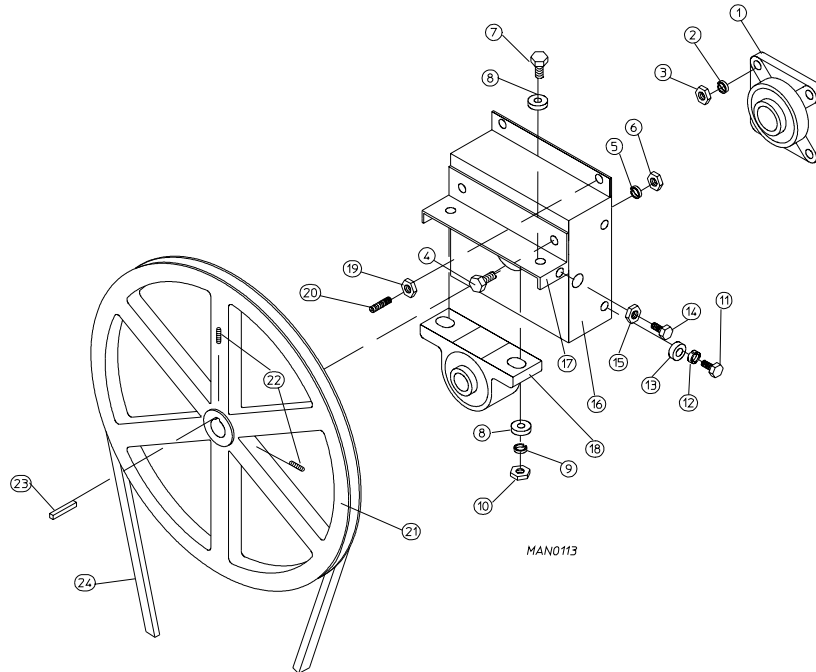
Illus. No.	Part No.	Qty.	Description
1	800285	1	Gray Main Door Assembly Complete (includes illus. nos. 1,5,6 and 7)
2	800448	1	12 1/2" Stainless Steel Main Door Hinge Assembly
3	150410	4	# 10-24 X 3/8" Phillips Pan Head Taptite Screw
4	152014	4	1/4-20 Free Spin Wash Nut
5	102353	1	69 1/2" Main Door Gasket
6	102210	1	20 7/16" Door Glass
	170730	1	Glass Adhesive for Lightweight (plastic) Main Door Assembly (10.3 oz cartridge)
7	150431	1	Main Door Latch Screw (#10 x 7/16" Dome Hex Head Screw)



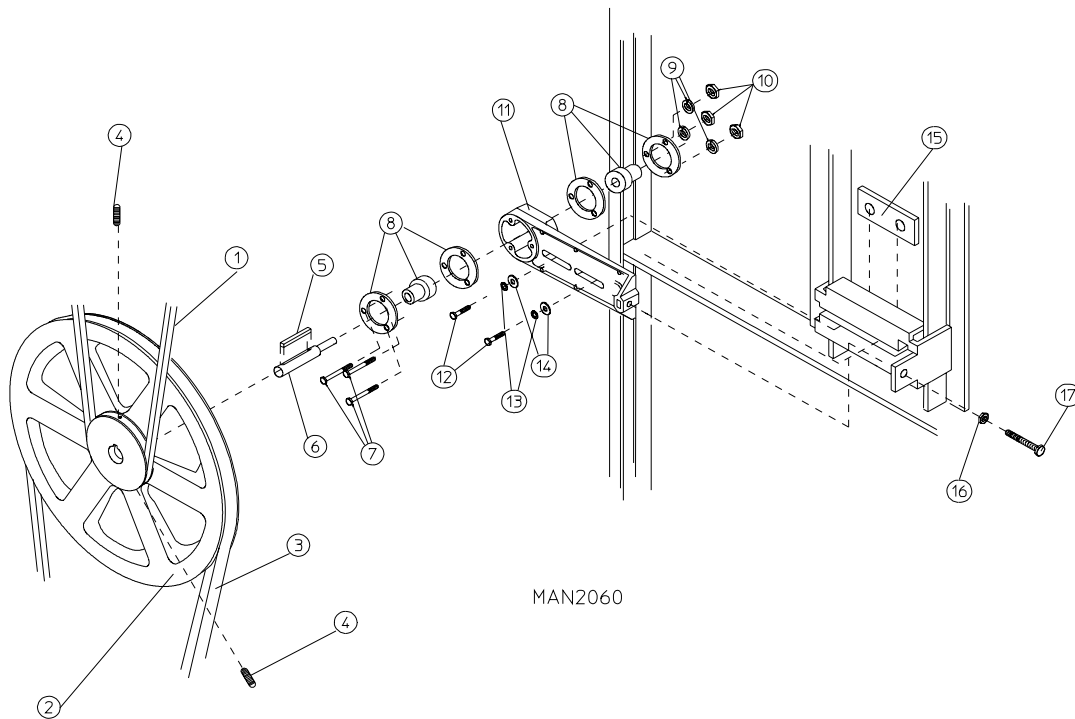
Illus. No.	Part No.	Qty.	Description
1	800420	1	AD-76AQ Lint Trap Assembly Complete (includes illus. nos. 1,3,4 and 5)
	800421	1	AD-76AQ Lint Trap Only
2	154200	7	5/32" Pop Rivet
3	304101	1	Lint Screen Holder
4	150300	2	# 10 x 1/2" Hex Washer TEK Screw
5	800506	1	Lint Screen
6	150419	2	# 6 x 1/2" Tamperproof TEK Screw
7	108120	1	Chain for Drop Lint Door (10-1/2" length)
—	150418	1	Tamperproof Screw Hand Driver



Illus. No.	Part No.	Qty.	Description
1	800708	1	AD-76AQ Basket (Tumbler) ONLY without Felt Collar
	800857	1	AD-76AQ Stainless Steel Basket (Tumbler) ONLY without Felt Collar
	800816*	1	AD-76AQ (1-3/4") Basket (Tumbler) and Support Assembly Complete (includes illus. nos. 1 through 10)
	800873*	1	AD-76AQ Stainless Steel (1-3/4") Basket (Tumbler) and Support Assembly Complete (includes illus. nos. 1 through 10)
2	150415	40	# 10-16 x 1/2" Phillips Round Head Crimptite Screw
3	301308	4	AD-76AQ Basket (Tumbler) Rib ONLY
4	301408	4	AD-76AQ Stainless Steel Basket (Tumbler) Rib ONLY
	150500	1	# 5/16-18 x 3/4" Socket Button Head Screw
5	100905	4	# 3/8-16 x 37" Tie Rod
6	153004	4	3/8" Flat Washer
7	800613	1	AD-76AQ (1-3/4") Basket (Tumbler) Support ONLY
8	152005	4	3/8" Hex Nut
9	153005	4	3/8" Lock Washer
10	153004	4	3/8" Flat Washer
11	116000	1	Felt Collar ONLY
—	401010	1	# 847 Adhesive for Felt Collar

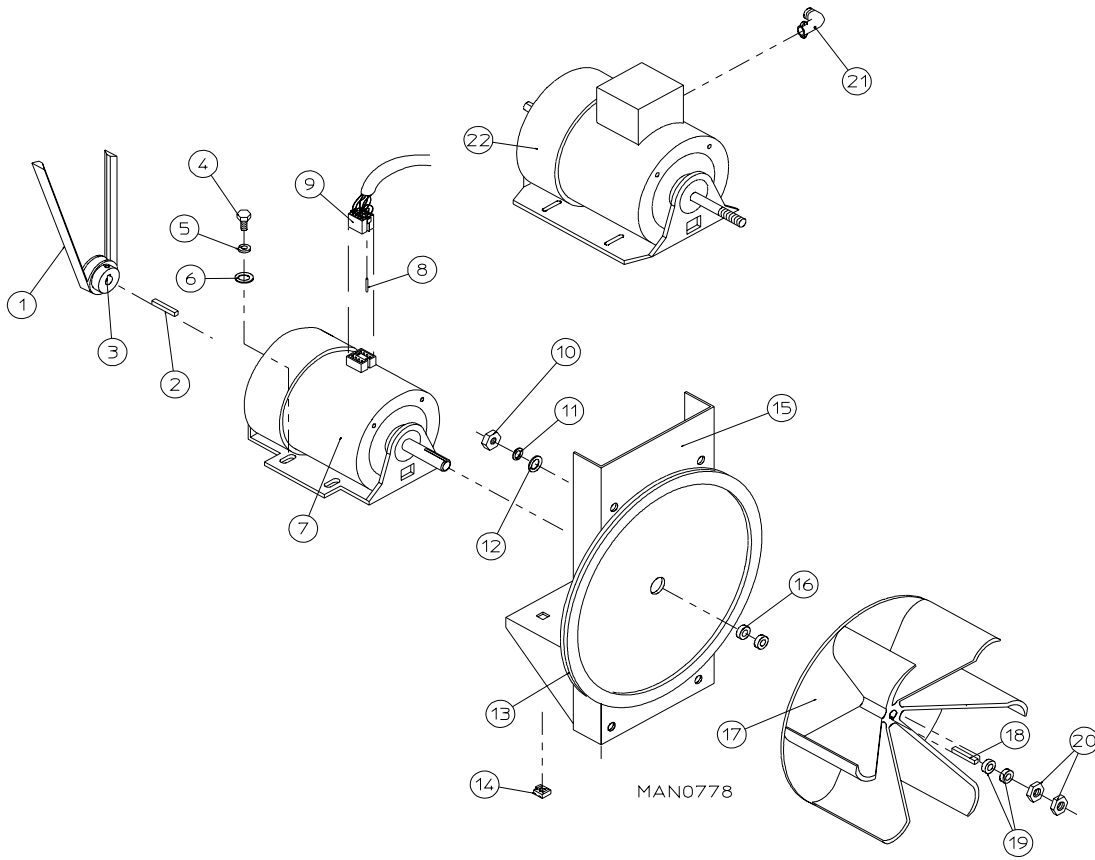


Illus. No.	Part No.	Qty.	Description
1	880220	1	1-3/4" Flange Bearing
2	153025	4	9/16" Lock Washer
3	152050	4	#9/16-12 Hex Nut
4	150508	2	#3/8-16 x 3/4" Hex Head Machine Bolt
5	153005	2	3/8" Lock Washer
6	152005	2	#3/8-16 Hex Nut
7	150600	2	#3/8-16 x 1-1/2" Hex Head Machine Bolt
8	153004	*	3/8" Flat Washer
9	153005	2	3/8" Lock Washer
10	152005	2	#3/8-16 Hex Nut
11	150501	4	#5/16-18 x 3/4" Hex Head Machine Bolt
12	153002	4	5/16" Lock Washer
13	153001	4	5/16" Flat Washer
14	150621	2	#5/16-18 x 1-1/2" Hex Head Machine Bolt
15	152004	2	#5/16-18 Hex Nut
16	801101	1	1-3/8" Bearing Box Assembly Complete (includes illus. nos. 4 through 20)
	801103	1	1-3/8" Bearing Box and Support ONLY (includes illus. nos. 4 through 6, 16 and 17)
	801105	1	1-3/8" Bearing Box ONLY
17	801104	1	Pillow Block Bearing Support ONLY
18	880202	1	1-3/8" Pillow Block Bearing ONLY
19	152004	2	#5/16-18 Hex Nut
20	150610	2	#5/16-18 x 1-1/2" Allen Set Screw
21	101100	1	18" Pulley
22	154301	2	#5/16-18 x 5/16" Allen Set Screw
23	100713	1	1/4" x 1/4" x 7/8" Key
24	100106	1	5L 690 "V" Belt (to idler assembly)



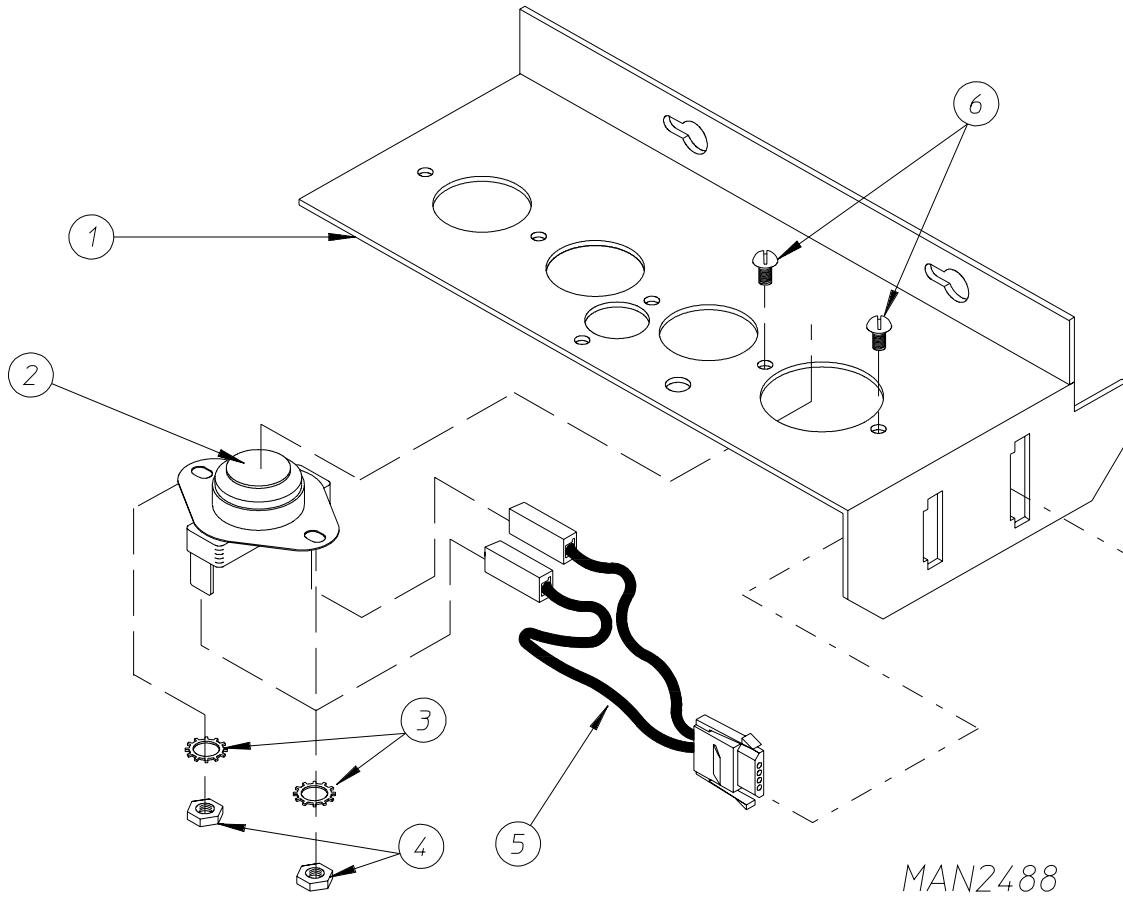
MAN2060

Illus. No.	Part No.	Qty.	Description
1	100106	1	5L 690 "V" Belt (idler to basket [tumbler])
2	101140	1	14" x 3" Compound Pulley
3	100117	1	4L 620 "V" Belt (idler to motor)
4	154301	2	#5/16-18 x 5/16" Allen Set Screw
5	100705	1	3/16" x 3/16" x 1-3/8" Key
6	301850	1	5/8" x 3/4" Idler Shaft
7	150529	3	#1/4-20 x 2 -1/4" Carriage Bolt
8	100214	2	5/8" Flange Bearing
9	153007	3	1/4" Lock Washer
10	152002	3	#1/4-20 Hex Nut
11	801007	1	Idler Bearing Assembly Complete (includes illus. nos. 5 through 7)
12	150617	2	#3/8-16 x 1" Hex Head Machine Bolt
13	153005	2	3/8" Lock Washer
14	153004	2	3/8" Flat Washer
15	801009	1	Idler Square Washer
16	152004	1	#5/16-18 Hex Nut
17	150509	1	#5-16-18 x 3" Hex Head Machine Bolt

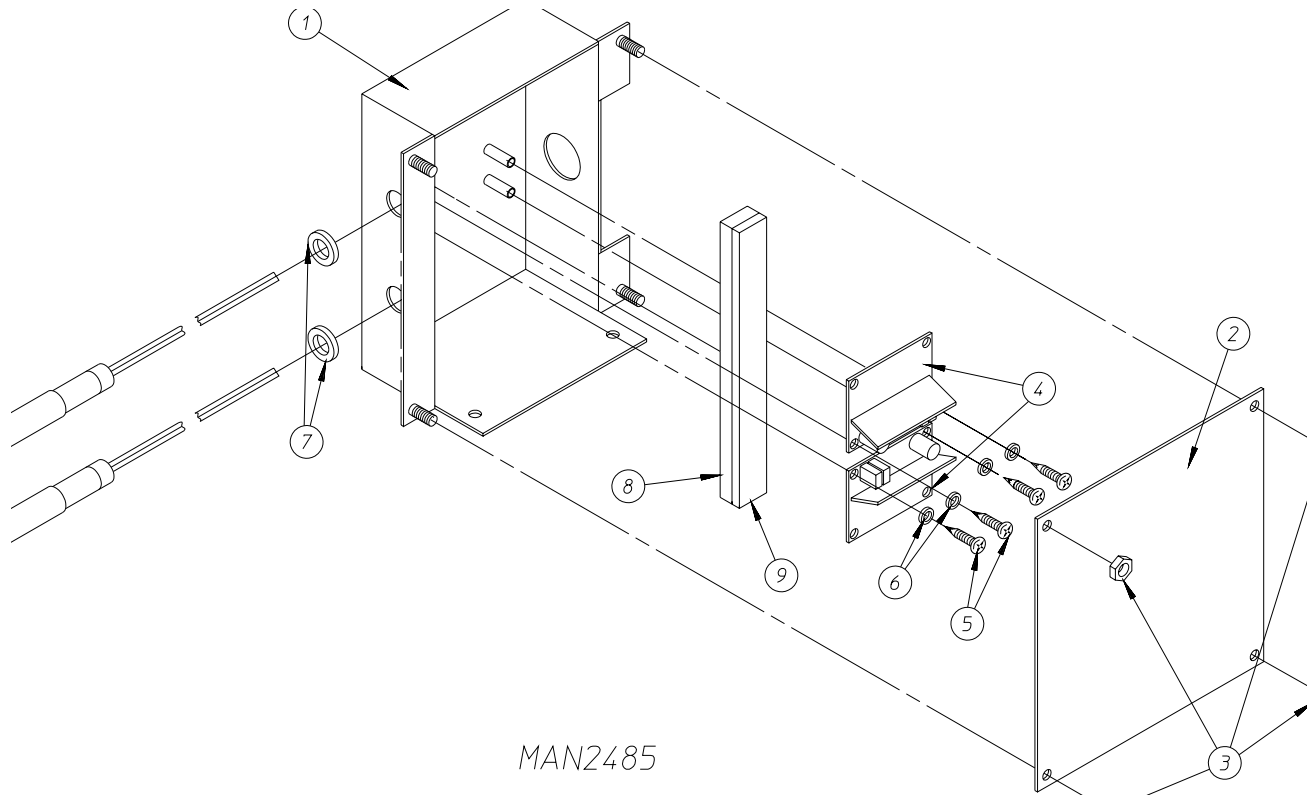


Illus. No.	Part No.	Qty.	Description
1	100117	1	4L 620 "V" Belt (to idler assembly)
2	100701	1	3/16" x 3/16" x 1" Key
3	101133	1	5/8" x 2-1/4" Motor Pulley (60 Hz ONLY)
	101130	1	5/8" x 2-1/2" Motor Pulley (50 Hz ONLY)
4	150501	4	5/16-18 x 3/4" Hex Head Machine Bolt
5	153002	4	5/16" Lock Washer
6	153001	4	5/16" Flat Washer
7	100073	1	1 HP 115/208/230V /1Ø/ 60Hz T.E.F.C. Motor with Plug (56Z Frame)
8	122701	8	Socket Terminal
	122801	1	Pin/Socket Extraction Tool
9	137030	1	8-Pin Female Housing Connector
10	152004	4	#5/16-18 Hex Nut
11	153002	4	5/16" Lock Washer
12	153001	4	5/16" Flat Washer
13	117604	4	Neoprene Sponge Tape (sold by the foot)
14	154000	4	#5/16-18 Tinnerman Nut
15	800919	1	AD-75AQ Motor Mount ONLY (56Z Frame)
	803992*	1	1 HP 115/230V 60HZ 1Ø T.E.F.C. Motor Mount Assembly w/Plug Complete (includes illus. nos. 2 through 7 and 13 through 20)
	803953	1	3/4 HP 230V 50HZ 1Ø T.E.F.C. Motor Mount Assembly Complete (includes illus. nos. 2 through 6 and 13 through 22)
	803955*	1	1 HP 230/380/460V 60Hz 3Ø T.E.F.C. Motor Mount Assembly Complete (includes illus. nos. 2 through 7 and 13 through 20)
	803958*	1	1 HP 230/380/460V 50HZ 3Ø T.E.F.C. Motor Mount Assembly Complete (includes illus. nos. 2 through 7 and 13 through 20)
16	153051	1	3/4" Flat Washer
17	100603	1	16" Impellor with 3/4" Bore
18	100714	1	3/16" x 3/16" x 1-7/8" Key
19	153050	2	1/8" Flat Washer
20	152006	2	#1/2-12 Left Hand Jam Nut
21	120200	1	3/8" 90° Connector
22	100075*	1	1 HP 230/460/220/380V 50/60Hz 3Ø T.E.F.C. Motor
	100076*	1	3/4 HP 240V 1Ø T.E.F.C. Motor 56Z Frame (50Hz ONLY)

*Specify voltage when ordering.



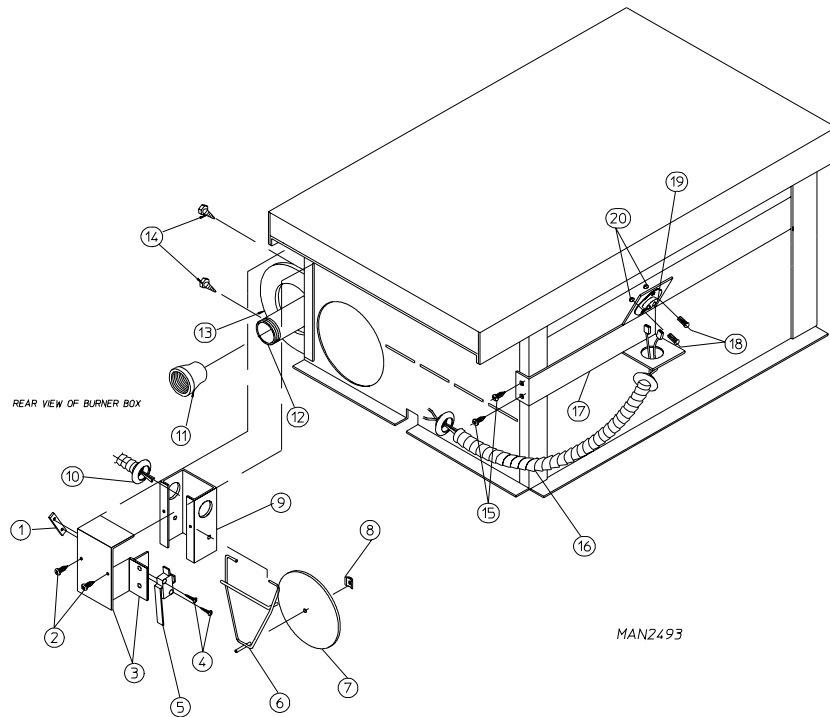
Illus. No.	Part No.	Qty.	Description
1	305007	1	Universal Sensor Bracket
2	130301	1	L225 Hi-Limit Thermostat Manual Reset
3	153010	2	#6 Star Washer
4	152000	2	#6-32 Hex Nut
5	881354	2	Aquatex Microprocessor Sensor Bracket Harness
6	150005	2	#6-32 X 1/4" Phillips Round Head Machine Screw



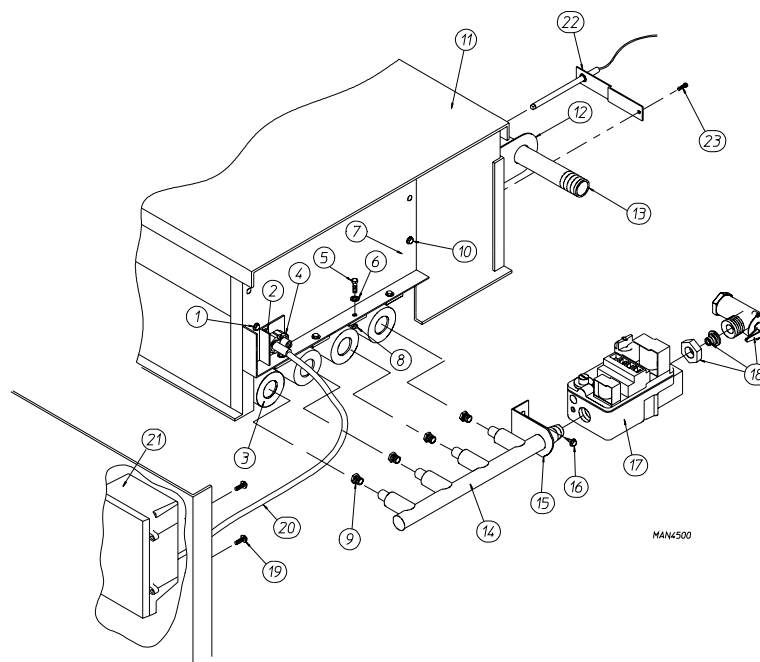
Illus. No.	Part No.	Qty.	Description
1	851155	1	Humidity Controller Mounting Bracket
2	319741	1	Humidity Bracket Cover
3	151001	1	#8-32 Pal Nut
4	136989	2	Humidity Sensor Board with Filter
5	150020	4	#4-40 Screw
6	153032	4	#4 Nylon Washer
7	121401	2	Rubber Grommet
8	117602	A/R	1/4T Neoprene Sponge Tape
9	117603	A/R	1/8T Noise Suppressor Tape

Illus. No.	Part No.	Qty.	Description
1	851151	1	Aquatex Oven Box ONLY
	830210	1	Electric Oven Assembly Complete (416V)
2	120013	–	Heating Element
3	150300	2	#10 x 1/2" Hex Washer TEK Screw
4	802800	1	Sail Switch Box with Bracket and Cover ONLY
	802801	1	Sail Switch Assembly Complete (includes illus. nos. 4 through 12)
5	154004	1	Twin Speed Nut
6	150415	2	#10-16 x 1/2" Phillips Round Head Crimptite Screw
7	802799	1	Sail Switch Box Cover and Bracket ONLY
8	122200	1	Sail Switch ONLY
9	150303	2	#4 x 3/4" Pan Head Machine Screw
10	105500	1	Sail Switch Actuator Rod
11	319202	1	Sail Switch Damper (flat)
12	154002	1	1/8" Push on Fastener
13	150300	2	#10 x 1/2" Hex Washer TEK Screw
14	803100	1	Electric Oven Front Cover ONLY
15	130400	1	L-290 Hi Limit Thermostat
16	150300	2	#10 x 1/2" Hex Washer TEK Screw
17	152008	–	#10-32 Hex Nut (4 per element)
18	153009	–	#10 Star Washer
19	121010	–	Terminal Lug
20	121011	13'	Bus Bar (sold by the foot)
21	152008	–	#10-32 Hex Nut
22	120080	–	External Ceramic Insulator (2 per element)
23	120081	–	Internal Ceramic Insulator (2 per element)
24	829016	1	Aquatex Temperature Sensor Assembly
25	150300	1	#10 x 1/2 Hex Washer Head TEK Screw

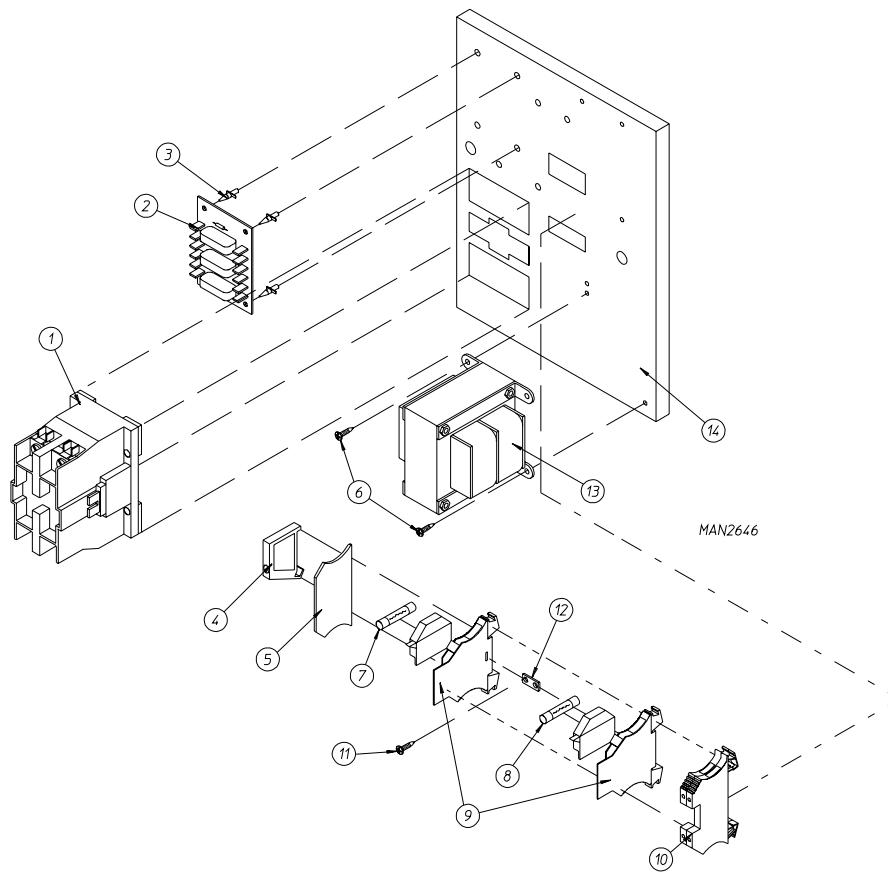
* Refer to Electric Oven Component Application Chart on page 32.



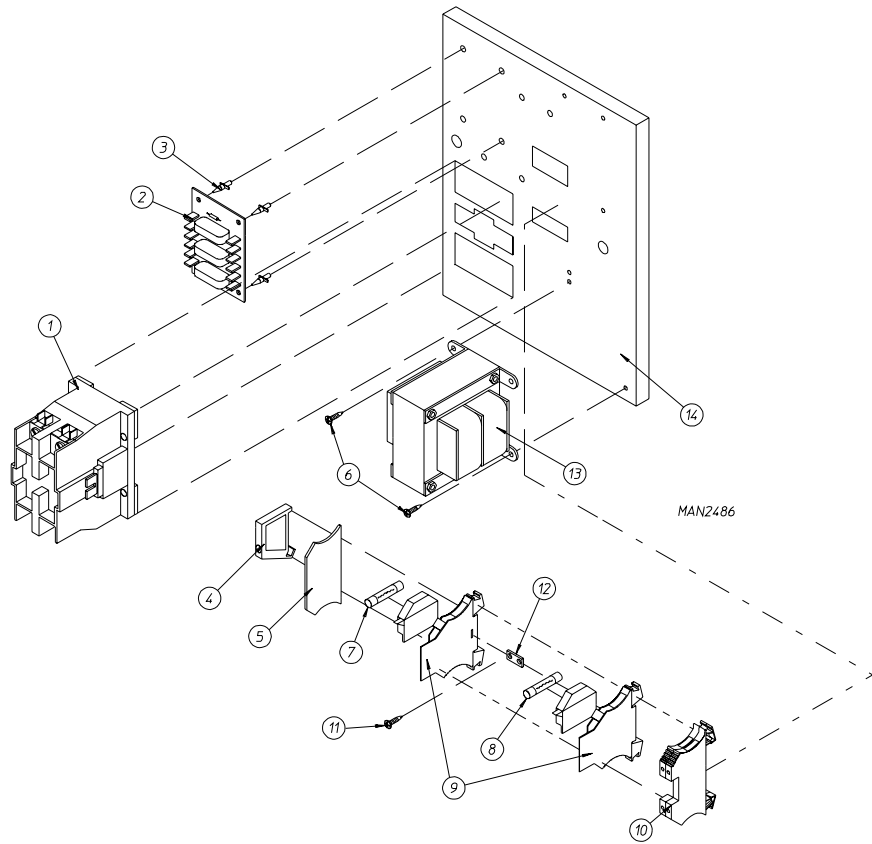
Illus. No.	Part No.	Qty.	Description
1	154004	1	Twin Speed Nut
2	150415	2	#10-16 x 1/2" Phillips Round Head Crimptite Screw
3	802799	1	Sail Switch Box Cover and Bracket ONLY
4	150303	2	#4 x 3/4" Pan Head Machine Screw
5	122200	1	Sail Switch ONLY
6	105500	1	Sail Switch Actuator Rod
7	319202	1	Sail Switch Damper (flat)
8	154002	1	1/8" Push-On Fastener
9	802800	1	Sail Switch Box with Cover and Bracket ONLY
	802801	1	Sail Switch Assembly Complete (includes illus. nos. 1 through 8)
10	824534	1	ADG 50/75 Aquatex Sail Switch Harness (Gas ONLY)
11	143000	1	3/4" to 1/2" Reducing Coupling
12	142809	1	1/2" x 29-1/8" Pipe
13	318700	2	Pipe Bracket
14	150415	2	#10-16 x 1/2" Phillips Round Head Crimptite Screw
15	150415	2	#10-16 x 1/2" Phillips Round Head Crimptite Screw
16	824533	1	Hi-Limit Harness
17	319704	1	Hi-limit Mounting Bracket
18	150001	2	#6-32 x 1/2" Round Head Machine Screw
19	130401	1	L-330 Hi Limit Thermostat
20	151000	2	#6-32 Pal Nut



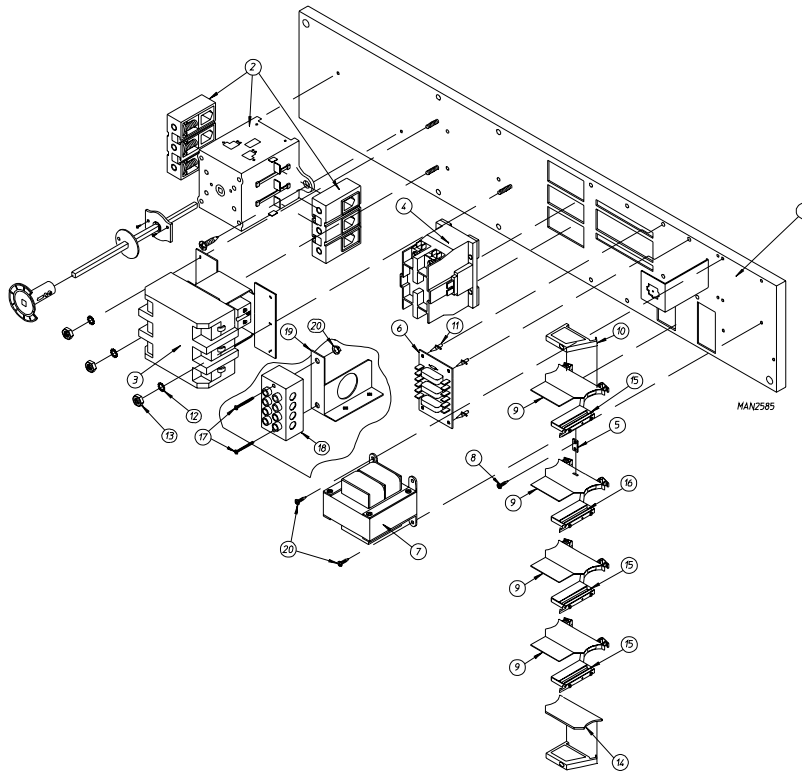
Illus. No.	Part No.	Qty.	Description
1	150415	2	#10-16 x 1/2" Phillips Round Head Crimptite Screw
2	150300	2	#10 x 1/2" Hex Washer TEK Screw
3	141105	4	Large Burner Tube
4	128915	1	DSI Ignitor/Flame Probe Assembly
5	150103	4	#8-32 x 3/4" Round Head Machine Screw
6	153000	4	#8 Steel Bur
7	802240	1	DSI Burner Shield (4-Tube Burner)
8	151001	4	#8-32 Pal Nut
9	140820	4	Burner Orifice #29 (for Natural Gas)
	140805	4	Burner Orifice #47 (for Liquid Propane)
10	150415	2	#10-16 x 1/2" Phillips Round Head Crimptite Screw
11	802237	1	Burner Box Weldment
12	318700	2	Pipe Bracket (Bent)
13	142809	1	1/2" x 29-1/8" Pipe
14	141210	1	3/4" DSI Manifold (4-Port)
15	323737	1	Pipe Bracket
16	150300	2	#10 x 1/2" Hex Washer TEK Screw
17*	128927	1	24VAC Gas Valve (Natural Gas)
	880960	1	1/2" 24V L.P. (Liquid Propane) Gas Valve Assembly
	140411	1	LP Gas Conversion Kit #2
18	881367	1	1/2" Union Shutoff With Tail Peice
19	150299	4	#10 x 1" Hex Washer TEK Screw
20	880330	1	DSI Ignitor HV Wire/Connector ONLY
21	880815	1	DSI Module ONLY 50/60Hz
22	829016	1	Aquatex Temperature Sensor Assembly
23	150300	1	#10-1/2" Hex Washer Head TEK Screw



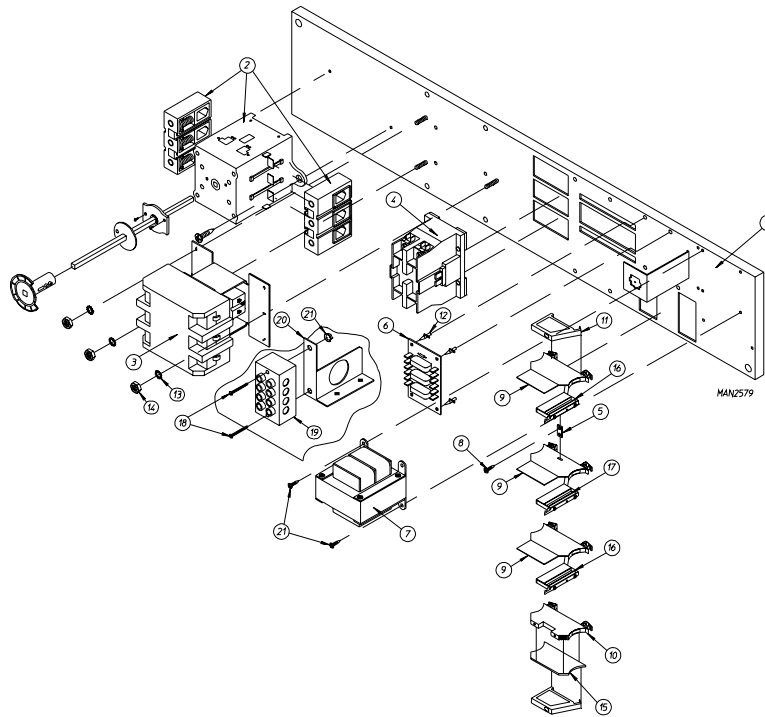
Illus. No.	Part No.	Qty.	Description
1	132451	1	Double Pole Contactor
2	137060	1	Arc Suppressor Board
3	137013	4	PC Board Mounting Standoff
4	120765	1	Standard End Stop
5	120766	1	Small End Section
6	150301	2	#8-18 x 7/16" Phillips Pan Head TEK Screw
7	136019	1	5 x 20mm 1.0 Amp Fuse
8	136017	1	5 x 20mm 3.15 Amp Fuse
9	136103	2	5 x 20mm Fuse Holder
10	120758	2	Feed Through Terminal Block
11	120995	2	Bus Bar Screws
12	120994	1	Bus Bar
13	829037	1	Transformer with Terminals
14	319757	1	Bottom Panel



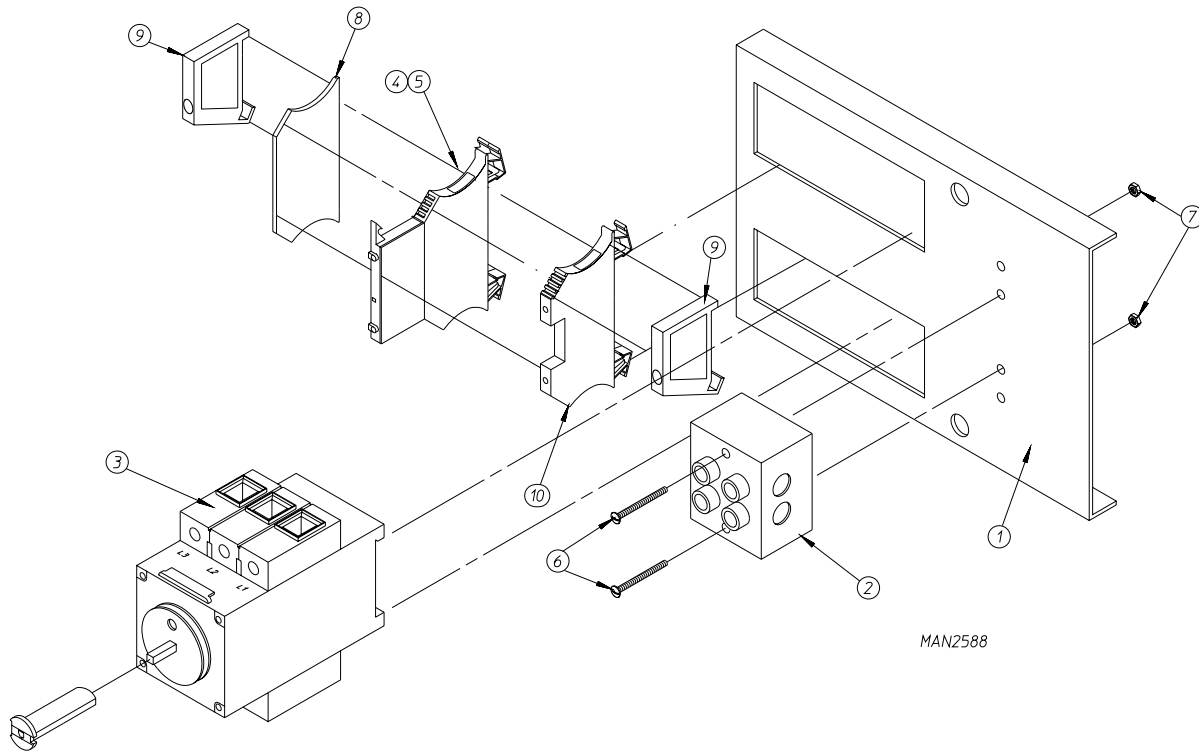
Illus. No.	Part No.	Qty.	Description
1	132451	1	Double Pole Contactor
2	137060	1	Arc Suppressor Board
3	137013	4	PC Board Mounting Standoff
4	120765	1	Standard End Stop
5	120766	1	Small End Section
6	150301	2	#8-18 x 7/16" Phillips Pan Head TEK Screw
7	136019	1	5 x 20mm 1.0 Amp Fuse
8	136017	1	5 x 20mm 3.15 Amp Fuse
9	136103	2	5 x 20mm Fuse Holder
10	120758	2	Feed Through Terminal Block
11	120995	2	Bus Bar Screws
12	120994	1	Bus Bar
13	829042	1	Transformer with Terminals
14	319757	1	Bottom Panel



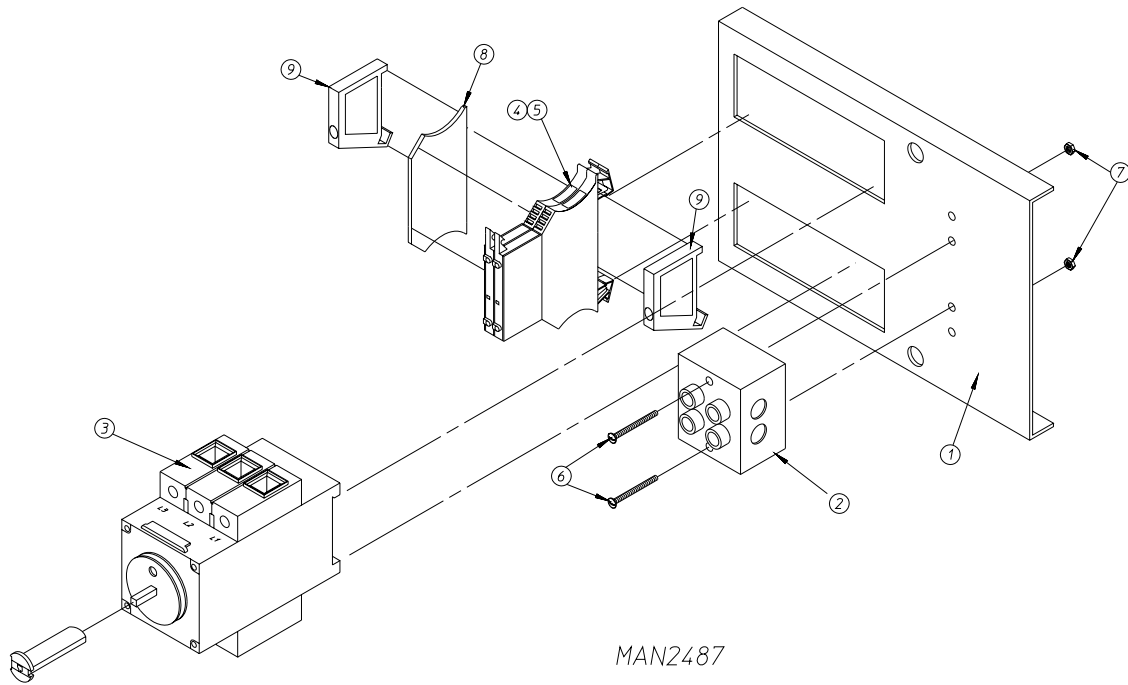
Illus. No.	Part No.	Qty.	Description
1	851157	1	CE Electrical Panel
2	132486	1	Power Disconnect
3	131369	1	Oven Contactor (for 208-240V)
4	132451	1	Blower Motor Contactor
5	120994	1	Bus Bar
6	137060	1	Arc Suppressor Board
7	829042	1	Transformer with Terminals (for 208-240V)
8	120995	2	Bus Bar Screws
9	136103	2	5 x 20mm Fuse Holder
10	120765	1	Standard End Stop
11	137013	4	PC Board Mounting Standoff
12	153012	3	#8 Star Washer
13	152001	3	8/32 Hex Nut
14	120766	1	Small End Section
15	136019	1	5 x 20mm 1.0 Amp Fuse
16	136017	1	5 x 20mm 3.15 Amp Fuse
17	150009	2	6-32 x 1-1/2" Phillips Round Head Machine Screw
18	120701	1	4 Terminal Block
19	319724	1	Aquatex Power Distribution Bracket
20	151000	2	6-32 Pal Nut



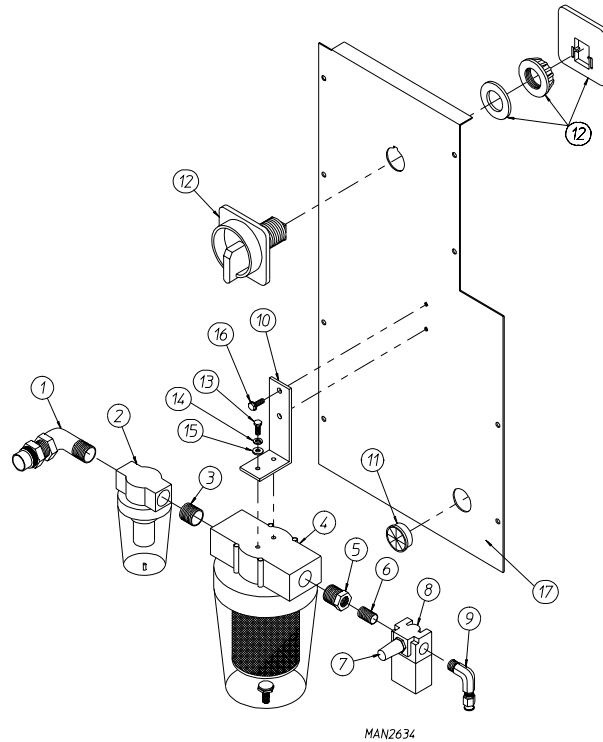
Illus. No.	Part No.	Qty.	Description
1	851157	1	CE Electrical Panel
2	132486	1	Power Disconnect
3	131357	1	Oven Contactor (for 416V)
4	132451	1	Blower Motor Contactor
5	120994	1	Bus Bar
6	137060	1	Arc Suppressor Board
7	829041	1	Transformer with Terminals (for 416V)
8	120995	2	Bus Bar Screws
9	136103	3	5 x 20mm Fuse Holder
10	120758	1	Feed Through Terminal Block
11	120765	2	Standard End Stop
12	137013	4	PC Board Mounting Standoff
13	153012	3	#8 Star Washer
14	152001	3	8/32 Hex Nut
15	120766	1	Small End Section
16	136019	1	5 x 20mm 1.0 Amp Fuse
17	136017	1	5 x 20mm 3.15 Amp Fuse
18	150009	2	6-32 x 1-1/2" Phillips Round Head Machine Screw
19	120701	1	4 Terminal Block
20	319724	1	Aquatex Power Distribution Bracket
21	151000	2	6-32 Pal Nut



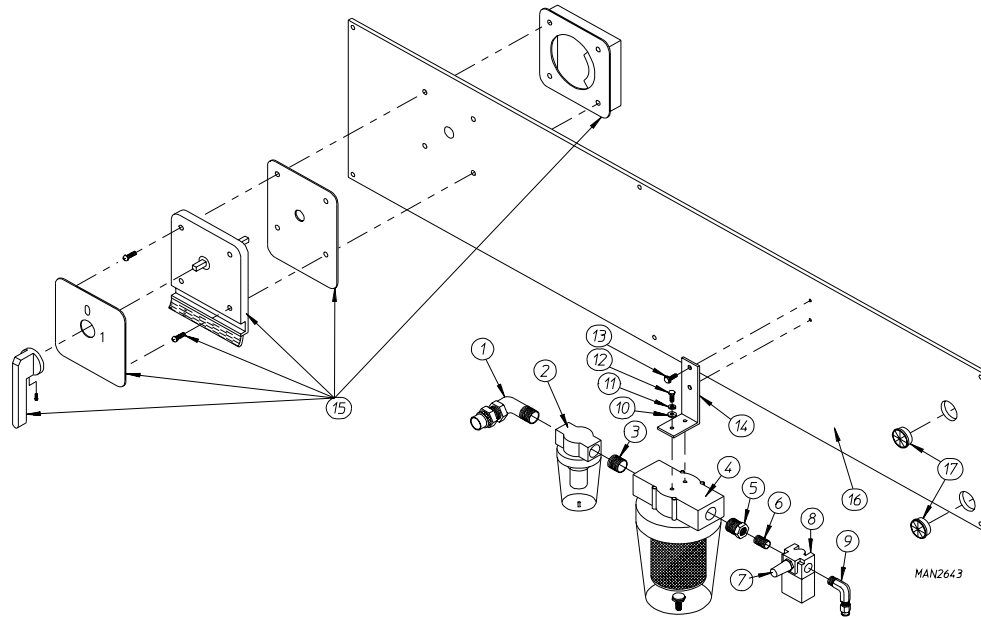
Illus. No.	Part No.	Qty.	Description
1	319756	1	CE Disconnect Panel
2	120716	1	Power Distribution Block
3	137489	1	Power Disconnect
4	136019	1	5 x 20mm 1.0 Amp Fuse
5	136103	1	5 x 20mm Fuse Holder
6	150009	2	6-32 x 1-1/2" Phillips Round Head Machine Screw
7	151000	2	#6-32 Pal Nut
8	120766	1	End Section
9	120765	2	End Stop
10	120758	1	Feed Through Terminal Block



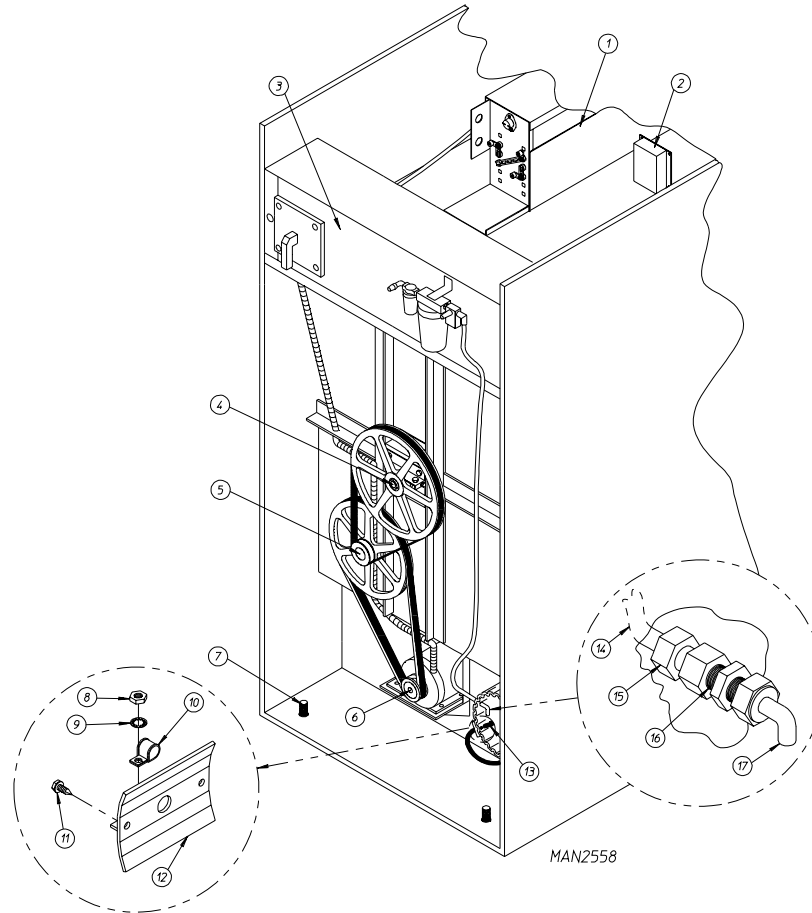
Illus. No.	Part No.	Qty.	Description
1	319756	1	CE Disconnect Panel
2	120716	1	Power Distribution Block
3	137489	1	Power Disconnect
4	136019	2	5 x 20mm 1.0 Amp Fuse
5	136103	2	5 x 20mm Fuse Holder
6	150009	2	6-32 x 1-1/2" Phillips Round Head Machine Screw
7	151000	2	#6-32 Pal Nut
8	120766	1	End Section
9	120765	2	End Stop



Illus. No.	Part No.	Qty.	Description
1	143153	1	1/4" Poly x 1/4" MPT Elbow
2	141007	1	Air Jet Pre Filter
3	143240	1	1/4" Close Nipple
4	141008	1	Air Jet Pre Filter
5	182522	1	1/4" x 1/8" Reducing Bushing
6	143238	1	1/8" 90 Close Nipple
7	100520	1	1/8" Muffler
8	829020	1	3-Way Valve Assembly
9	143268	1	1/8" Street Elbow
10	319750	1	Mounting Bracket
11	121400	1	7/8" I.D. Universal Bushing
12	—	1	Main Power Disconnect (Included with P/N: 137489 on page 32)
13	150512	2	1/4-20 x 1/2" HH-MB
14	153007	2	1/4" Lock Washer
15	153018	2	1/4" Flat Washer
16	150300	2	#10 x 1/2" Hex Washer Head TEK Screw
17	319769	1	Aquatex Disconnect Cover ONLY (Gas ONLY)

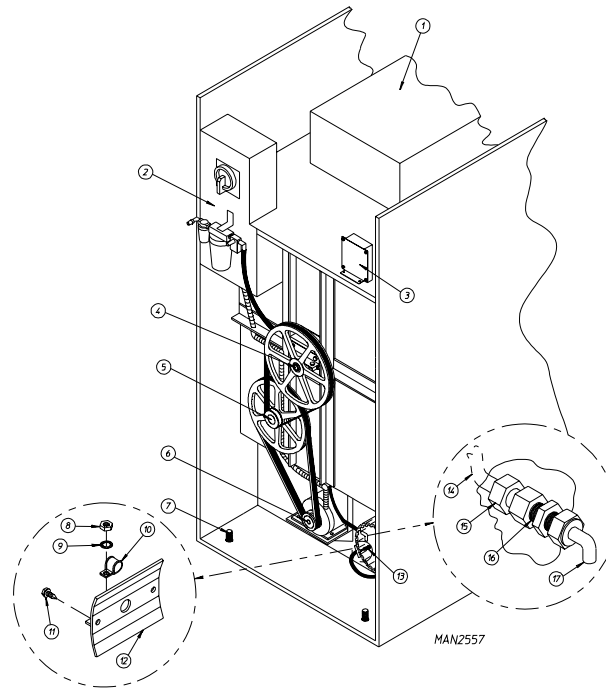


Illus. No.	Part No.	Qty.	Description
1	143153	1	1/4" Poly x 1/4" MPT Elbow
2	141007	1	Air Jet Pre Filter
3	143240	1	1/4" Close Nipple
4	141008	1	Air Jet Pre Filter
5	182522	1	1/4" x 1/8" Reducing Bushing
6	143238	1	1/8" Close Nipple
7	100520	1	1/8" Muffler
8	829020	1	3-Way Valve Assembly
9	143268	1	1/8" 90 Street Elbow
10	153018	2	1/4 Flat Washer
11	153007	2	1/4 Split Lock Washer
12	150512	2	1/4-20 x 1/2" HH-MB
13	150300	2	#10 x 1/2" Hex Washer Head TEK Screw
14	319750	1	Mounting Bracket
15	132486	1	Disconnect Switch (Lockable)
16	319781	1	Aquatex Rear Panel ONLY (Electric ONLY)
17	121400	2	7/8" I.D. Universal Bushing



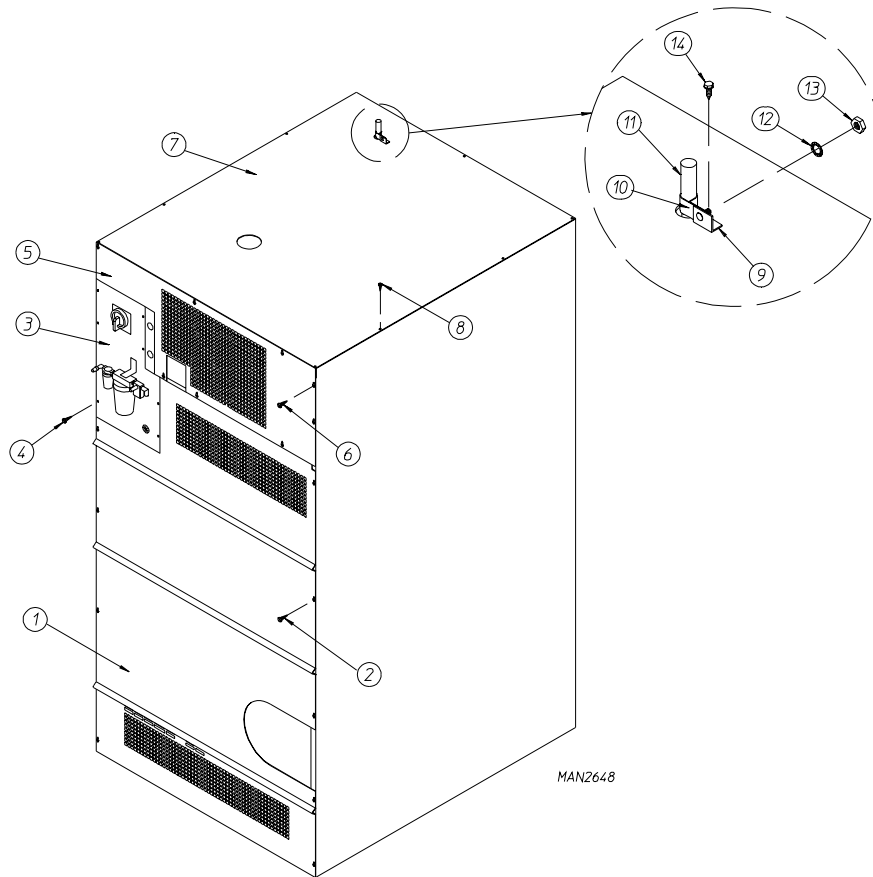
Illus. No.	Part No.	Qty.	Description
1			Electric Oven Assembly. See Page 16, 17
2			Humidity Transmitter Assembly. See Page 15
3			Disconnect Panel Cover. See Page 27
4			Tumbler Bearing Assembly. See Page 10
5			Idler Bearing Assembly. See Page 11
6			Motor Mount Assembly. See Page 12, 13
7	103500	4	Leveling Leg
8	152001	1	8-32 Hex Nut
9	153018	1	1/4" Flat Washer
10	121488	1	3/8" Rubber Cushioned Clamp
11	150300	2	#10 x 1/2" Hex Washer Head TEK Screw
12	851182	1	Humidity Sensor Mount Assembly
13*		1	Humidity Sensor (Included with P/N: 136989.) See Page 15
14	143110	66"	1/4" Poly Flo Tubing
15	100472	1	1/4" Compression x 1/8 MPT Straight Connector
16	143259	1	1/4" Bulkhead Fitting
17	319753	1	Aluminum Airjet Tube

* Not Sold Separately Specific Resistive Calibration

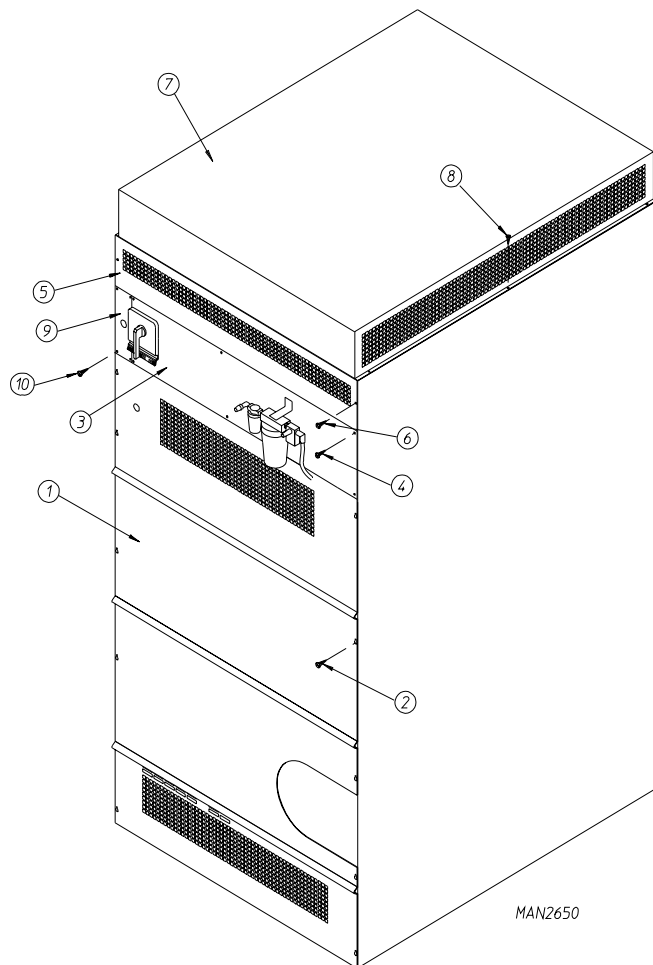


Illus. No.	Part No.	Qty.	Description
1			Gas Burner Assembly. See Page 19
2			Disconnect Panel Cover. See Page 26
3			Humidity Transmitter Assembly. See Page 15
4			Tumbler Bearing Assembly. See Page 10
5			Idler Bearing Assembly. See Page 11
6			Motor Mount Assembly. See Page 12,13
7	103500	4	Leveling Leg
8	152001	1	8-32 Hex Nut
9	153018	1	1/4" Flat Washer
10	121488	1	3/8" Rubber Cushioned Clamp
11	150200	2	#10 x 1/2" Hex Washer TEK
12	851182	1	Humidity Sensor Mount Assembly
13*	—	1	Humidity Sensor (Included with P/N: 136989.) See Page 15
14	143110	66"	1/4" Poly Flo Tubing
15	100472	1	1/4" Compression x 1/8 MPT Straight Connector
16	143259	1	1/4" Bulkhead Fitting
17	319753	1	Aluminum Airjet Tube

* Not Sold Separately Specific Resistive Calibration



Illus. No.	Part No.	Qty.	Description
1	319788	1	Lower Backguard
2	150301	9	#8-18 x 7/16" Phillips Pan Head TEK Screw
3	319769	1	Disconnect Cover ONLY
4	150301	8	#8-18 x 7/16" Phillips Pan Head TEK Screw
5	319787	1	Top Backguard
6	150301	8	#8-18 x 7/16" Phillips Pan Head TEK Screw
7	312527	1	Outer Top
8	150301	7	#8-18 x 7/16" Phillips Pan Head TEK Screw
9	851183	1	Aquatex Outer Top Humidity Sensor Mount Assembly
10	121488	1	3/8" Rubber Cushioned Clamp
11	136989	1	Humidity Sensor Board/Filter
12	153012	1	#8 Star Washer
13	152001	1	8-32 Nut
14	150309	1	10-16 x 1/2" HH TEK Crimptite Screw



Illus. No.	Part No.	Qty.	Description
1	314514	1	Plain Backguard
2	150301	10	#8-18 x 7/16" Phillips Pan Head TEK Screw
3	319781	1	Disconnect Panel ONLY
4	150301	6	#8-18 x 7/16" Phillips Pan Head TEK Screw
5	319776	1	Upper Backguard
6	150301	2	#8-18 x 7/16" Phillips Pan Head TEK Screw
7	830201	1	Aquatex Top
8	150301	6	#8-18 x 7/16" Phillips Pan Head TEK Screw
9	319748	1	Electrical Plate
10	150301	4	#8-18 x 7/16" Phillips Pan Head TEK Screw

kW	VOLT	PHASE	WIRE	OVEN ASSEMBLY PART NUMBER	ELEMENTS			OVEN WIRE			TERMINAL LUG		BUS BAR	CAT. NO	PART NO.
					QTY	KW	P/N	QTY	SIZE	P/N	QTY	P/N	P/N-121011		
24	316	3Ø	4	829038	6	4	120011	5	#8	133100	6	121010	1	43U14	131357
24	208	3Ø	3	829039	6	4	120010	5	#6	133200	3	121010	1	63U14	131369
24	220	3Ø	3	829065	6	4	120013	5	#4	133300	3	121010	1	63U14	131369
30	416	3Ø	4	830210	6	4	120013	5	#8	121010	6	121010	1	43U14	131357

Part No.	Description
114094	Mop Head Warning Label
114006	"Warning Fire Hazard" Label
112280	"Clean Lint Screen" Label
114001	"Caution Exhaust/Lint Screen" Label
112534	"Phase 5 OPL Program Location Summary" Label
120100	3/8" Straight (BX) Connector
120300	3/8" x 45° (BX) Connector
120400	3/8" Red Jacket (BX) Insulator
120500	3/8" Jiffy Clip (BX Retainer Clip)
120600	3/8" Greenfield (BX)
120707	Terminal Strip (2-Position)
120708	Terminal Strip (3-Position)
120800	1/4" In-Line Connector
120802	Red Butt Connector
120902	#74B Wire Nut
120903	Crimp-On Wire Nut
121014	1/4" Insulated (female) Terminal
121026	Tab Receptacle Combination
121499	4" Harness Tie
121500	7" Harness Tie
121503	Harness Tie Mounting Clip
122804	Manometer (Hydro Gauge) for measuring Gas Pressure
404500	Almond Brush-In-Cap Bottle Touch Up Paint
404502	White Brush-In-Cap Bottle Touch Up Paint
404506	Beige Brush-In-Cap Bottle Touch Up Paint
404507	Cornflower Blue Brush-In-Cap bottle Touch Up Paint
880200	Electrical Terminal (assortment) Kit

ADC450197 1* 08/03/99-25

