

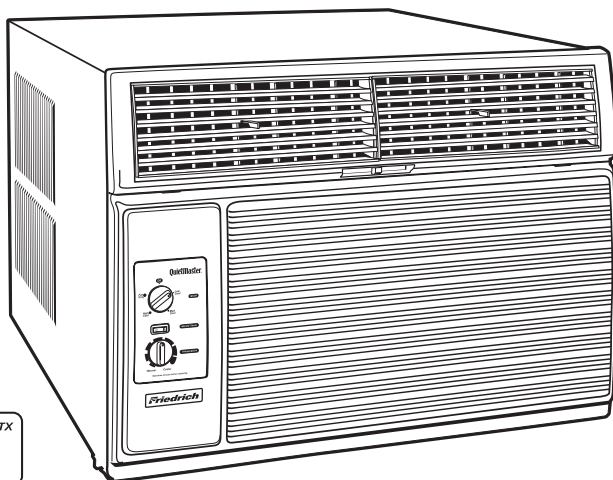


# Operating Guide

## QuietMaster® Heavy Duty

Room Air Conditioner

SL25 | SL28 | SL36



920-002-10 (11-04)

### Please register your air conditioner

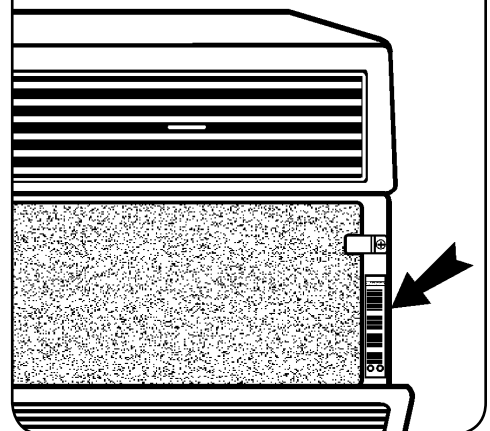
Model information can be found on the name plate behind the front.

Please complete and mail the owner registration card furnished with this product, or register on-line at [www.friedrich.com](http://www.friedrich.com) (USA only). For your future convenience, record the model information here.

MODEL NUMBER

SERIAL NUMBER

PURCHASE DATE



# Congratulations

Your QuietMaster unit is designed for cooling medium to large areas in both residential and commercial applications. The unit is simple to operate and provides maximum efficiency and quiet operation.

## Table of Contents

|                                     |   |
|-------------------------------------|---|
| Before Operating Your Unit .....    | 2 |
| To Start Unit .....                 | 4 |
| Function Control .....              | 4 |
| Temperature Control .....           | 4 |
| MoneySaver® Feature .....           | 4 |
| To Remove Filter .....              | 5 |
| Fresh Air and Exhaust Control ..... | 5 |
| Troubleshooting Tips .....          | 6 |
| Warranty.....                       | 7 |

## WARNING! Before operating your unit

### **Make sure the wiring is adequate for your unit.**

If you have fuses, they should be of the time delay type. Before you install or relocate this unit, be sure that the amperage rating of the circuit breaker or time delay fuse does not exceed the amp rating listed in Figure 1.

### **DO NOT use an extension cord.**

The cord provided will carry the proper amount of electrical power to the unit. An extension cord will not.

### **Make sure that the receptacle is compatible with the air conditioner cord plug provided.**

This insures proper grounding. If you have a two prong receptacle you will need to have the circuit replaced by a certified electrician with a grounded circuit that meets all national and local codes and ordinances. Under no circumstances should you remove the ground prong from the plug. You must use the three prong plug furnished with the air conditioner.

## Test the power cord

All Friedrich room air conditioners are shipped from the factory with a Leakage Current Detection Interrupter (LCDI) equipped power cord. The LCDI device meets the UL and NEC requirements for cord connected air conditioners effective August 2004.

To test your power supply cord:

1. Plug power supply cord into a grounded 3 prong outlet.
2. Press RESET (See Figure 2).
3. Press TEST (listen for click; Reset button trips and pops out).
4. Press and release RESET (listen for click; Reset button latches and remains in). The power supply cord is ready for operation.



| MODEL       | CIRCUIT RATING OR TIME DELAY FUSE |      | PLUG FACE |   |
|-------------|-----------------------------------|------|-----------|---|
|             | AMP                               | VOLT | NEMA NO.  |   |
| SL25 • SL28 | 20                                | 250  | 6-20P     |    |
| SL36        | 30                                | 250  | 6-30P     |  |

Figure 1

NOTE: The LCDI device is not intended to be used as a switch.

Once plugged in the unit will operate normally without the need to reset the LCDI device.

If the device fails to trip when tested or if the power supply cord is damaged it must be replaced with a new supply cord from the manufacturer. We recommend you contact our **Technical Assistance Line** at 1-800-541-6645 ext. 662. To expedite service, please have your model and serial number available.

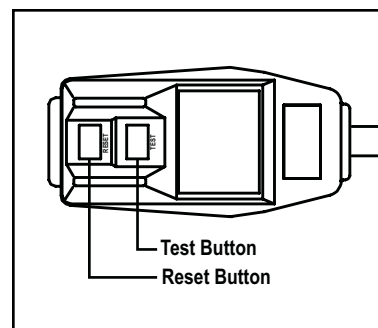


Figure 2

## For best cooling performance and highest energy efficiency

### Keep the filter clean

Make sure that your air conditioner is always in top performing condition by cleaning the filter regularly. Instructions for removing and cleaning the filter can be found on page 5.

### Provide good airflow

Make sure the airflow to and from the unit is clear. Your air conditioner puts the conditioned air out at the top of the unit, and takes in unconditioned air at the bottom. Airflow is critical to good operation. It is just as important on the outside of the building that the airflow around the unit exterior is not blocked.

### Unit placement

If your air conditioner can be placed in a window or wall that is shaded by a tree or another building, the unit will operate even more efficiently. Using drapes or blinds on the sunny side of the dwelling will also add to your unit's efficiency.

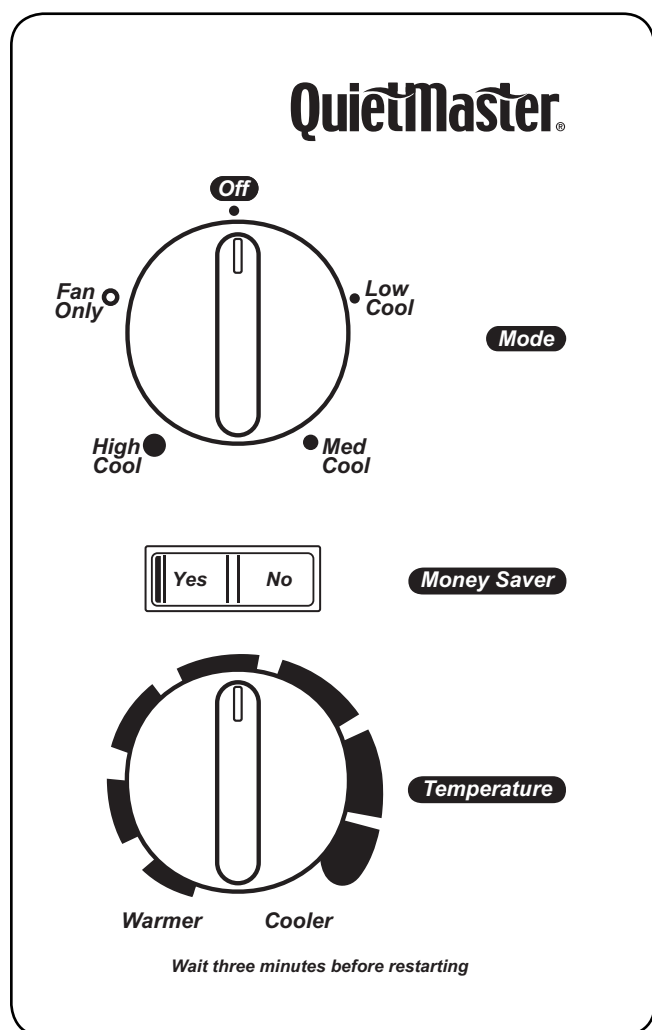
### Insulation

Good insulation will be a big help in maintaining desirable comfort levels. Doors should have weather stripping. Be sure to caulk around doors and windows.

### Proper installation of seal gasket

Make sure the seal gasket has been installed properly to minimize noise and improve efficiency. If the seal gasket has not been installed, please refer to your installation instruction manual.

# How to operate your Friedrich room air conditioner



**Figure 3**

## To start unit

If your air conditioner is installed and plugged into a properly grounded receptacle, it is ready to operate.

## Mode control

This dial allows you to select cooling at three different speeds, as well as Fan Only.

Off- turns the unit off.

Hi Cool- for quick cooling.

Med Cool- to maintain a desired temperature.

Lo Cool- for night time use, or when demand is low.

Fan Only- will circulate air in the room without the compressor coming on.

This setting can also be used with the EXHAUST air setting to remove stale air or smoke from the room; or it can be used with the FRESH AIR setting to bring outside air into the room. This is especially useful in the spring and fall when cooling may not be necessary. The FRESH AIR and EXHAUST controls are in the upper air discharge area. The center position of this control is the normal, or closed position, which recirculates air for maximum performance in the cooling mode.

## Temperature control

This dial is the thermostat. Turn it clockwise for cooler temperature and counterclockwise for warmer.

## MoneySaver® switch

This rocker switch can be depressed to either Yes or No. The Yes position provide the most economical operation. Both the fan and compressor will cycle on and off together, maintaining the selected temperature at a more constant level and reducing the humidity more efficiently. This control will only operate when the unit is in a Cool mode. In the No position, the fan will run constantly as long as the unit is in the cooling mode.

## Removing and cleaning the filter / fresh air and exhaust feature

### To remove, wash and replace filter and return air grille

Open the return air (RA) grille by grasping it at the top outside edges and pulling towards you (See Figure 4). The RA grille will stay open until it is detached or closed (it is easier to completely detach the grille before closing it). To remove the RA grille, grasp it at the bottom and pull towards you.

The filter is held in place by two spring clips (See Figure 5). Push down on the clips, grasp the filter and pull towards you to remove it for cleaning. Clean with warm water and a mild detergent, rinse, dry completely and replace. **Use caution when removing the filter. The internal metal components are sharp.**

If the RA grille has been removed, pick up the grille by supporting it from both sides near the bottom (See Figure 5, Note 1). Lift return air grille and insert the grille's tabs into the bottom slots of the discharge air plenum (See Figure 5, Note 2). Snap the grille into place by pushing the grille up and onto the unit's latches at the bottom (See Figure 5, Notes 3 and 4).

### Fresh air and exhaust control

Your air conditioner has the ability to bring fresh air into the room and exhaust stale air out of the room. The control lever is found on the upper part of the unit (See Figure 6).

**TO BRING IN FRESH AIR** - Move the lever to the **FRESH AIR** position which allows outside air to enter the room. This is useful in fall and spring as a means of bringing in fresh outside air when using **FAN ONLY**. It can also be used in the summer with the compressor in the **Cooling Mode** if you wish. Normally, for most efficient operation, cooling is accomplished with this control in the middle or closed position.

**TO EXHAUST INDOOR AIR** - Move the lever to the **EXHAUST** position. This will allow stale air to be expelled to the outside of the dwelling. This is especially handy in the winter when indoor air tends to get stale, or after a social gathering involving smokers, or to remove odors after cooking.

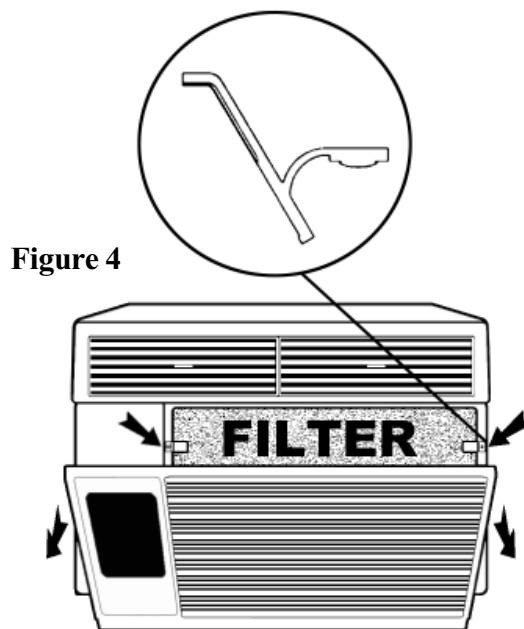


Figure 4

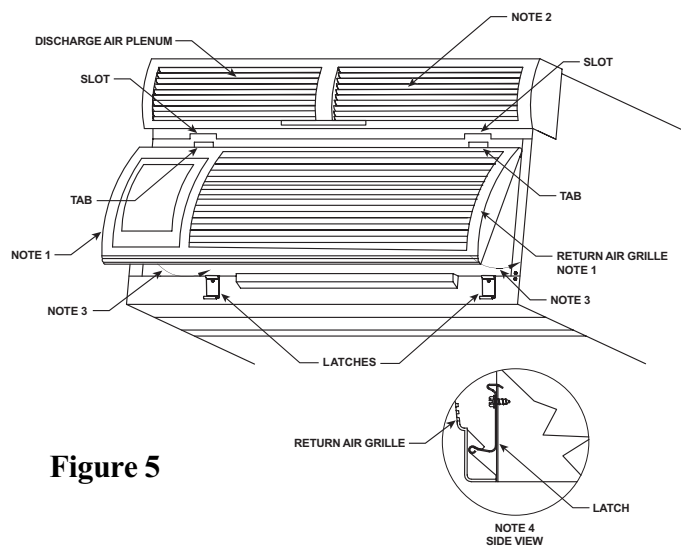


Figure 5

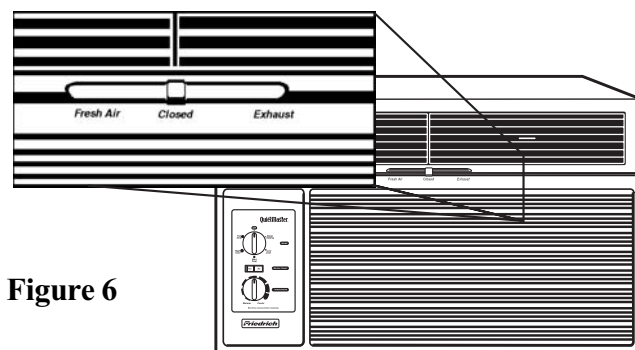


Figure 6

## Troubleshooting tips

### Won't cool?

If your air conditioner operates, but won't cool; check to see if the controls are properly set. Check the filter and clean thoroughly if needed. Check to see if the vent door is closed. Check to see if the chassis seal gasket is installed (refer to installation instructions).

### Won't run?

Make sure the power cord is plugged in all the way. Check for a bad fuse, tripped breaker or tripped LCDI Device. Refer to page 3 for LCDI reset instructions and to confirm proper fuse size.

### This is a warm weather appliance

Your air conditioner is designed to cool in warm weather when the outside temperature is above 60°F (16°C) and below 115°F (46°C), so it won't cool a room if it is already cool outside. If you want to cool a room in the winter, set the unit to Fan Only and set the Fresh Air/Exhaust control to Fresh Air. This will bring in a supply of outside air.

### Condensation is normal

Air conditioners actually pump heat and humidity from your room to the outside air. Humidity becomes water, and your air conditioner will use most of the water to keep the outside coil cool. If there is excessive humidity, there may be excess water that will drip outside. This is normal operation.

### Frosting

This usually occurs because of insufficient airflow across the coils, a dirty filter, cool, damp weather, or all of these. Set unit to Fan Only and the frost will disappear. Setting the thermostat a little warmer will probably prevent the frosting from recurring.

### Noises

All air conditioners make some noise. Friedrich QuietMasters® operate as quietly as possible. An air conditioner mounted in a wall is quieter than one mounted in a window. If mounted in a window, the window mount kit provided with QuietMaster® models will reduce operating sound levels, when properly installed. It is important to ensure that the chassis seal gasket is properly installed (refer to installation instructions).

### Cleaning your air conditioner

The decorative front and the cabinet can be cleaned with warm water and a mild detergent. The indoor coil can be vacuumed with a dusting attachment if it appears to be dirty. The outdoor coil can be gently sprayed with a hose if you can get to it. If not, you might call your dealer for a more thorough cleaning when needed. The air filter should be inspected weekly and cleaned if needed by vacuuming with a dust attachment or by cleaning in the sink using warm water and a mild dishwashing detergent. Dry thoroughly before reinstalling the filter.



Friedrich Air Conditioning Company

P.O. Box 1540  
San Antonio, TX 78295  
210.357.4400  
www.friedrich.com

## ROOM AIR CONDITIONERS LIMITED WARRANTY

### FIRST YEAR

**ANY PART:** If any part supplied by FRIEDRICH fails because of a defect in workmanship or material within twelve months from date of original purchase, FRIEDRICH will repair the product at no charge, provided room air conditioner is reasonably accessible for service. Any additional labor cost for removing inaccessible units and/or charges for mileage related to travel by a Service Agency that exceeds 25 miles one way will be the responsibility of the owner. This remedy is expressly agreed to be the exclusive remedy within twelve months from the date of the original purchase.

### SECOND THROUGH FIFTH YEAR

**SEALED REFRIGERANT SYSTEM:** If the Sealed Refrigeration System (defined for this purpose as the compressor, condenser coil, evaporator coil, reversing valve, check valve, capillary, filter drier, and all interconnecting tubing) supplied by FRIEDRICH in your Room Air Conditioner fails because of a defect in workmanship or material within sixty months from date of purchase, FRIEDRICH will pay a labor allowance and parts necessary to repair the Sealed Refrigeration System; **PROVIDED** FRIEDRICH will not pay the cost of diagnosis of the problem, removal, freight charges, and transportation of the air conditioner to and from the Service Agency, and the reinstallation charges associated with repair of the Sealed Refrigeration System. All such cost will be the sole responsibility of the owner. This remedy is expressly agreed to be the exclusive remedy within sixty months from the date of the original purchase.

**APPLICABILITY AND LIMITATIONS:** This warranty is applicable only to units retained within the Fifty States of the U.S.A., District of Columbia, and Canada. This warranty is not applicable to:

1. Air filters or fuses.
2. Products on which the model and serial numbers have been removed.
3. Products which have defects or damage which results from improper installation, wiring, electrical current characteristics, or maintenance; or caused by accident, misuse or abuse, fire, flood, alterations and/or misapplication of the product and/or units installed in a corrosive atmosphere, default or delay in performance caused by war, government restrictions or restraints, strikes, material shortages beyond the control of FRIEDRICH, or acts of God.

**OBTAINING WARRANTY PERFORMANCE:** Service will be provided by the **FRIEDRICH Authorized Dealer or Service Organization** in your area. They are listed in the Yellow Pages. If assistance is required in obtaining warranty performance, write to: Room Air Conditioner Service Manager, Friedrich Air Conditioning Co., P.O. Box 1540, San Antonio, TX 78295-1540.

**LIMITATIONS:** **THIS WARRANTY IS GIVEN IN LIEU OF ALL OTHER WARRANTIES.** Anything in the warranty notwithstanding, **ANY IMPLIED WARRANTIES OF FITNESS FOR PARTICULAR PURPOSE AND/OR MERCHANTABILITY SHALL BE LIMITED TO THE DURATION OF THIS EXPRESS WARRANTY. MANUFACTURER EXPRESSLY DISCLAIMS AND EXCLUDES ANY LIABILITY FOR CONSEQUENTIAL OR INCIDENTAL DAMAGE FOR BREACH OF ANY EXPRESSED OR IMPLIED WARRANTY.**

**NOTE:** Some states do not allow limitations on how long an implied warranty lasts, or do not allow the limitation or exclusion of consequential or incidental damages, so the foregoing exclusions and limitations may not apply to you.

**OTHER:** This warranty gives you specific legal rights, and you may also have other rights which vary from state to state.

**PROOF OF PURCHASE:** Owner must provide proof of purchase in order to receive any warranty related services.

All service calls for explaining the operation of this product will be the sole responsibility of the consumer.

All warranty service must be provided by an **Authorized FRIEDRICH Service Agency**, unless authorized by FRIEDRICH prior to repairs being made.

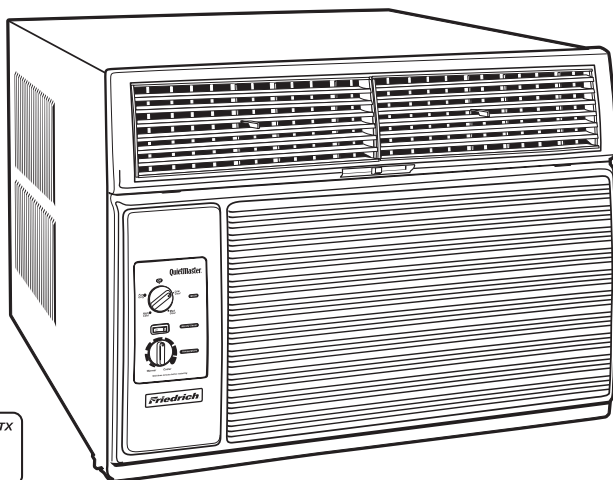
(10-04)

## Guía de funcionamiento

### QuietMaster® Serie Para Trabajo Pesado

Unidad de Aire Condicionado

SL25 | SL28 | SL36



### Revise su unidad de aire acondicionado para habitación

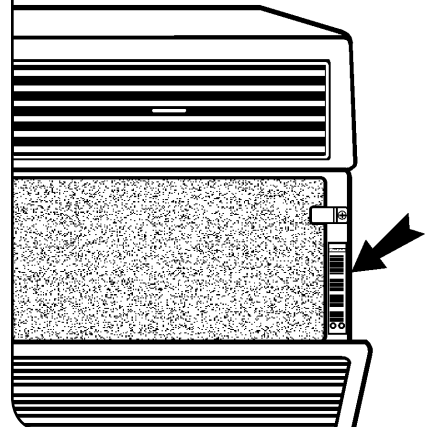
Información muy importante sobre este modelo se puede encontrar en la placa que lleva el número distintivo de la unidad, detrás de la parte delantera.

Por favor llene completamente y envíe por correo la tarjeta de inscripción (registro) de propiedad que se le provee con este producto, o inscribbase usando la internet, en la dirección [www.friedrich.com](http://www.friedrich.com) (en los Estados Unidos solamente). Para conveniencia futura, anote aquí la información sobre el modelo.

NUMERO DE MODELO

NUMVERO DE SERIE

FECHA DE COMPRA





# ¡Felicitaciones!

Su unidad QuietMaster® se ha diseñado para enfriar lugares de tamaño mediano hasta grande en aplicaciones residenciales así como comerciales. Esta unidad es silenciosa fácil de operar y da un rendimiento máximo de eficiencia.

## Índice

|   | Página |
|---|--------|
| Antes de hacer funcionar su unidad.....           | 9      |
| Para arrancar la unidad.....                      | 11     |
| Controles de funcionamiento.....                  | 11     |
| Control de la temperatura.....                    | 11     |
| Control MoneySaver® (Para ahorrar energía).....   | 11     |
| Como quitar el filtro.....                        | 12     |
| Control de aire fresco y para escape de aire..... | 12     |
| Consejos para solucionar problemas.....           | 13     |
| Garantía.....                                     | 14     |

## ADVERTENCIA: Antes de hacer funcionar su unidad

### Asegúrese de que los cables son los apropiados para la unidad.

Si usted tiene fusibles, deben ser del tipo tiempo retrasado (TIME DELAY). Antes de instalar o reubicar esta unidad, asegúrese de que el amperaje del interruptor o el fusible no sea superior al amperaje que aparece en la figura 1.

### **NO utilice un cable de extensión.**

El cable que suministramos es el apropiado para la cantidad de electricidad que necesita la unidad. Un cable de extensión no lo es.

### Asegúrese de que el tomacorrientes es compatible con el enchufe de pared que se suministra.

De este modo se garantiza un atterrado adecuado. Si usted tiene un tomacorrientes de dos entradas, necesita reemplazarlo con uno de tres entradas que esté de acuerdo con todos los códigos y regulaciones nacionales y locales. No quite la clavija de tierra del enchufe por ninguna razón. Usted tiene que emplear el enchufe de tres entradas que se suministra con el aire acondicionado.

## Prueba del cable de alimentación

Todos los sistemas Friedrich de aire acondicionado para habitación se embarcan desde la fábrica con un cable de alimentación equipado con Interruptor de detección de fugas de corriente (LCDI). A partir de agosto del 2004 el dispositivo LCDI cumple con los requisitos del UL (Underwriter's Laboratory) y el NEC (Código Eléctrico Nacional) para los sistemas de aire acondicionado conectados por cable.

Para probar su cable de alimentación:

1. Enchufe el cable de alimentación de energía a una terminal de 3 contactos conectada a tierra.
2. Oprima "RESET".
3. Oprima "TEST" (se escucha un chasquido; el botón "Reset" se desengancha y salta).

4. Oprima y suelte el botón "RESET" (se escucha un chasquido; el botón "Reset" se engancha y mantiene dentro). El cable de alimentación está listo para el funcionamiento.

NOTA: El dispositivo LCDI no está destinado para utilizarse como interruptor.

Una vez enchufado en la unidad, el dispositivo LCDI funcionará normalmente sin necesidad de reajustes.

Si el dispositivo no se desengancha durante la prueba o si el cable de alimentación de energía está dañado deberá cambiarlo por otro cable de alimentación nuevo suministrado por el fabricante. Le recomendamos llamar a nuestra Línea de asistencia técnica al 1-800-541-6645 ext. 662. Para agilizar el servicio, tenga a la mano su modelo y número de serie.



| MODELO      | CLASIFICACION DEL CIRCUITO O FUSIBLE DE TIEMPO RETRASADO (TIME DELAY) |      | CARA DEL ENCHUFE |   |
|-------------|---|------|------------------|---|
|             | AMP   | VOLT | NEMA NO.         |   |
| SL25 • SL28 | 20  | 250  | 6-20P            |   |
| SL36        | 30  | 250  | 6-30P            |  |

Figura 1

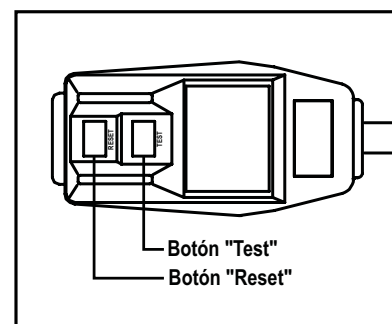


Figura 2

## Para obtener el máximo enfriamiento y ahorrar energía

### Mantenga limpio el filtro

Asegúrese de que su aire acondicionado esté funcionando siempre lo mejor posible, limpiando periódicamente el filtro. Las instrucciones para quitar y limpiar el filtro se encuentran en la página 12.

### Permita que haya buen flujo de aire

Asegúrese de que la entrada y salida de aire de la unidad no estén obstruidas. El aire acondicionado sale por la parte superior de la unidad y el aire sin acondicionar entra por la parte inferior. El flujo de aire es indispensable para obtener un buen funcionamiento. Es igualmente importante que nada obstruya la unidad afuera del edificio.

### Ubicación de la unidad

Si su aire acondicionado se puede colocar en una ventana o una pared a la que le de la sombra de un árbol o de otro

edificio, la unidad funcionará aún más eficientemente. El uso de cortinas o persianas en el lado soleado de la casa también ayuda a la eficiencia de su unidad de aire acondicionado.

### Aislamiento

Un buen aislamiento será lo que más ayuda a mantener el nivel deseado de comodidad. Las puertas deben tener burletes aisladores del clima. Asegúrese de rellenar los vacíos alrededor de las puertas y de las ventanas.

### Instalación correcta de la junta de sello

Compruebe la debida instalación de la junta de sello para reducir el ruido y mejorar la eficacia. Si la junta de sello no se ha instalado, refiérase a su manual de instrucciones de instalación.

## Como hacer funcionar su aire acondicionado Friedrich

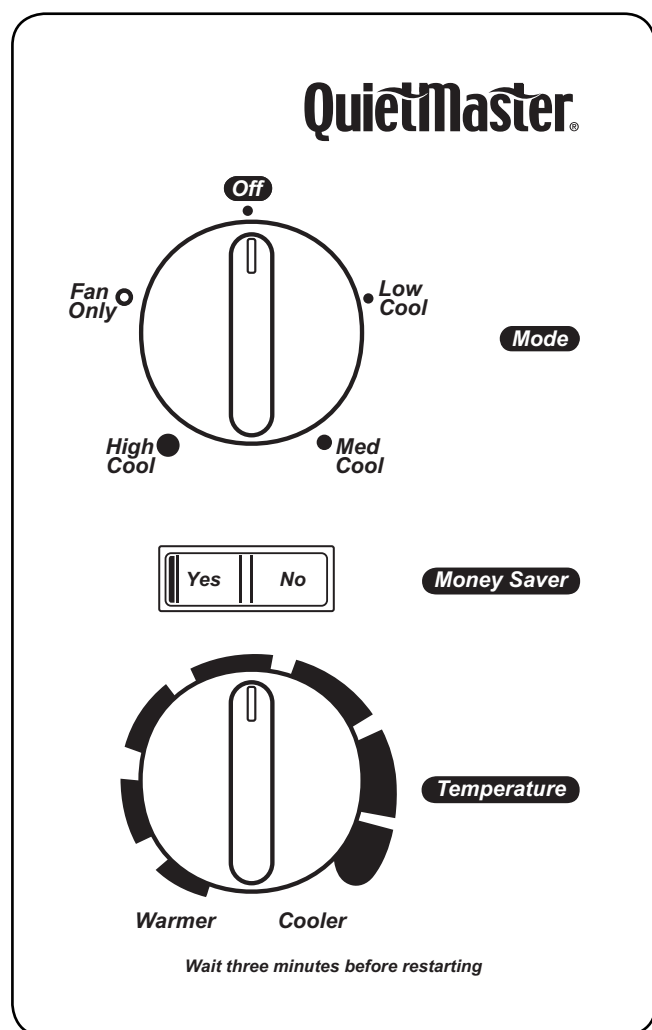


Figura 3

### Para arrancar la unidad

Si su aire acondicionado se ha instalado y se ha conectado en un receptáculo apropiado, está listo para comenzar a funcionar.

### Controles de funcionamiento

El botón de control le permite escoger tres velocidades distintas para enfriar, así como también para usar el FAN ONLY (ventilador sin enfriamiento)

Colóquelo en OFF (apagado) para apagar todo.

Colóquelo en HI COOL (enfriamiento alto) para enfriar rápidamente.

Colóquelo en MED COOL (enfriamiento moderado) para mantener una temperatura deseada. Durante la noche o cuando no necesite demasiado, ponga el botón en SLEEP SETTING (para dormir).

Cuando el botón está en la posición de FAN ONLY (ventilación sin enfriamiento) solamente el aire en el cuarto va a circular sin que funcione el compresor. Esta posición de FAN ONLY también se puede utilizar conjuntamente con la posición de escape de aire para sacar del cuarto aire viejo o humo de cigarrillos, o puede colocarse en la posición FRESH AIR (aire fresco) para hacer que entre aire de afuera al cuarto, especialmente durante la primavera y el otoño cuando no se necesita enfriar.

Los controles de FRESH AIR (aire fresco) y EXHAUST (escape de aire) se encuentran en la parte superior donde sale el aire de descargue (vea la Figura 6, página 12). La posición en el centro es la posición normal o cerrada, y hace que recircule el aire para dar un mejor rendimiento cuando se necesita enfriar.

### Control de la temperatura

Este es el termostato. Gírelo de izquierda a derecha cuando desee más frío y de derecha a izquierda cuando desee menos frío.

### Control MoneySaver® (para ahorrar energía)

Este botón puede colocarse en YES (sí) o en NO. En la posición YES (sí) usted ahorrará el máximo. Tanto el ventilador como el compresor se prenderán y apagarán conjuntamente, manteniendo constante el nivel de la temperatura que se haya seleccionado y reduciendo la humedad con mayor eficiencia. El control solamente funcionará cuando la unidad está enfriando. En la posición de NO, el ventilador funcionará constantemente mientras la unidad esté enfriando.

## Para extraer, lavar y volver a colocar el filtro y la rejilla de aire de regreso

### Como quitar el filtro

Abra la rejilla de aire de regreso (RA) tomándola por los bordes externos superiores y tirando hacia usted (vea la Figura 4). La rejilla RA se quedará abierta hasta que se retire o se cierre (Es más fácil extraer la rejilla primero antes de cerrarla). Si tiene que extraer la rejilla RA, tómelala en la parte inferior y tire hacia usted.

El filtro está sostenido por dos broches de resorte (vea la Figura 4). Empuje los broches hacia abajo, tome el filtro y tire hacia usted para extraerlo y poder limpiarlo. Limpie con agua tibia y un detergente suave, enjuáguela, séquela por completo y devuélvala a su sitio. Sea cuidadoso al extraer el filtro. Los componentes metálicos internos son cortantes.

Si la rejilla ha sido extraída, recójala sosteniéndola por los lados cerca del fondo (Figura 5, Nota 1). Levante la rejilla de retorno e inserte las agarraderas en las ranuras de abajo de la rejilla de retorno. (Figura 5, Nota 2). Introduzca la rejilla en su sitio empujándola hacia arriba y introduciéndola en los pestillos localizados en la parte de abajo de la unidad. (Figura 5, Notas 3 y 4)

### Control de aire fresco y para escape de aire

Su aire acondicionado tiene la capacidad de hacer entrar aire fresco en el cuarto y sacar aire viejo. La palanca de control se encuentra en la parte superior de la unidad (vea la Figura 6).

### Para hacer entrar aire fresco

Mueva la palanca a donde dice FRESH AIR (aire fresco) para que entre aire de afuera al cuarto. Esto es útil en el otoño y en la primavera para obtener aire fresco de afuera utilizando FAN ONLY (ventilación sin enfriamiento). También puede usarse durante el verano con la unidad en el Cooling Mode (modo de enfriamiento) si lo desea. Normalmente, para que haya un funcionamiento más eficiente, el enfriamiento se logra cuando este control está en la posición del medio o de cerrado.

### Para sacar aire

Mueva la palanca a la posición de EXHAUST (escape de aire). Esto permitirá que salga el aire viejo. Es especialmente útil durante el invierno cuando el aire interno tiende a envejecerse o después de una reunión social donde hay fumadores, o para sacar los olores después de cocinar.

Figura 4

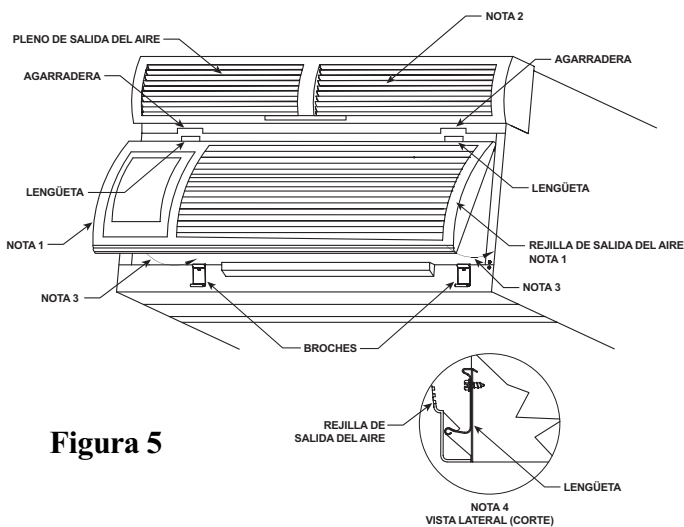
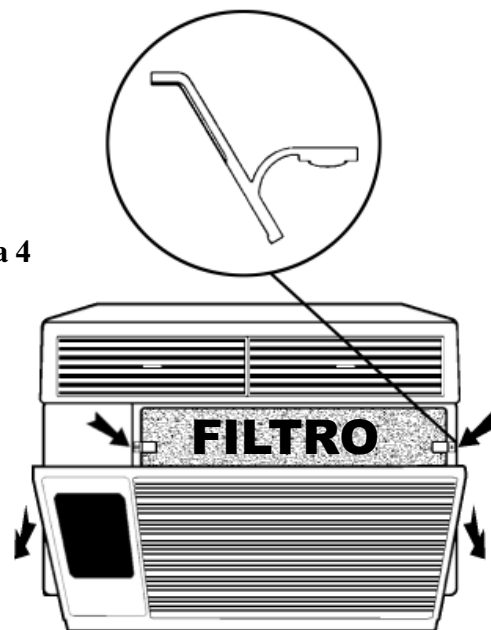


Figura 5

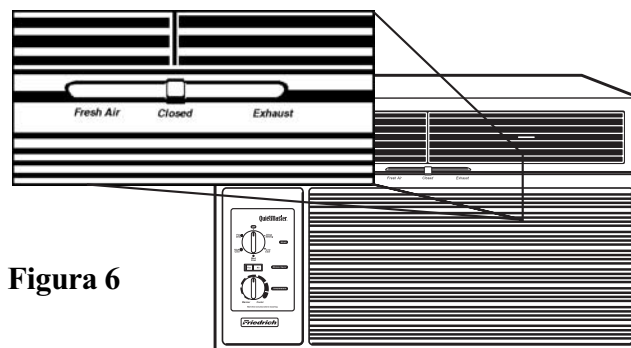


Figura 6

## Consejos para solucionar problemas

### ¿No enfría?

Si su aire acondicionado funciona, pero no enfría; compruebe si los controles están debidamente ajustados. Revise el filtro y límpielo perfectamente de ser necesario. Compruebe si la compuerta de ventilación está cerrada. Compruebe si está instalada la junta de sello del chasis (refiérase a las instrucciones de instalación).

### ¿No funciona?

Cerciórese de que el cable de alimentación está completamente enchufado. Verifique si el fusible está en mal estado y si el disyuntor o el dispositivo LCDI no están bien conectados. Refiérase a la página 10 para consultar las instrucciones de reajuste del LCDI y confirmar el tamaño adecuado del fusible.

### Este es un aparato para clima caliente

Su aire acondicionado se ha diseñado para que enfríe durante las épocas de calor y la temperatura esté por encima de 60°F (16°C) y debajo 115°F (46°C), por lo tanto, no enfriará un cuarto si la temperatura exterior ya está fría. Si usted desea enfriar un cuarto durante el invierno, coloque el botón de Fan Only (ventilador sin enfriamiento) y el control de Fresh Air/Exhaust (aire fresco/escape) en Fresh Air (aire fresco). Esto hará que entre aire de afuera.

### La condensación es normal

Las unidades de aire acondicionado bombean calor y humedad de su cuarto hacia afuera. La humedad se convierte en agua y su aire acondicionado utilizará la mayor parte del agua para mantener frío el serpentín exterior. Si hay exceso de humedad, habrá un excedente de agua que goteará afuera. Esto es normal.

### Cuando se forma escarcha

Esto generalmente ocurre cuando no hay suficiente flujo de aire en los serpentines, debido a un filtro sucio, clima húmedo o frío o todos estos factores. Coloque la unidad en Fan Only (ventilador sin enfriamiento) y la escarcha desaparecerá. Si coloca el termostato un poco más caliente, probablemente evitará que vuelva a formarse escarcha.

### Ruido

Todos los sistemas de aire acondicionado generan algún ruido. El Friedrich QuietMaster® funciona lo más callado posible. El aire acondicionado montado sobre la pared es más silencioso que el montado en ventana. Si el montaje es en ventana, el kit de montaje en ventana provisto con los modelos QuietMaster reducirá, si se instala correctamente, los niveles de sonido de funcionamiento. Es importante asegurar que la junta de sello del chasis quede debidamente instalada (refiérase a las instrucciones de instalación).

### Limpieza de su aire acondicionado

La parte decorativa de adelante y el gabinete pueden limpiarse con agua templada y un detergente suave. El serpentín interior puede aspirarse si está sucio. El serpentín exterior puede rociarse suavemente con una manguera si usted alcanza. En caso de que usted no lo alcance, puede llamar a su distribuidor para que le haga una mejor limpieza cuando sea necesaria. El filtro de aire se debe inspeccionar semanalmente y limpiarlo, en caso necesario, aspirando con un aditamento contra polvo o limpiando el colector con agua templada y un detergente suave para lavar trastes. Seque perfectamente el filtro antes de volver a instalarlo.



Friedrich Air Conditioning Company  
 P.O. Box 1540  
 San Antonio, TX 78295  
 210.357.4400  
 www.friedrich.com

## TÉRMINOS DE LA GARANTÍA LIMITADA - UNIDADES DE AIRE ACONDICIONADO FRIEDRICH

### GARANTIA LIMITADA - PRIMER AÑO

**TODAS LAS PARTES:** Si cualquiera de las partes suministradas por FRIEDRICH no funciona debido a un defecto de manufactura o del material dentro de los 12 meses siguientes a la fecha original de compra, FRIEDRICH reparará el producto sin costo alguno, siempre y cuando que la unidad esté razonablemente accesible para el servicio. Todo costo adicional ocasionado por remover unidades inaccesibles y/o costos por millaje relacionados con el viaje de servicio, los cuales excedan una distancia de 25 millas (una vía), correrán por cuenta del propietario. Esta solución es la solución única convenida dentro de los 12 meses siguientes de la fecha original de compra.

### GARANTIA LIMITADA - DEL SEGUNDO AL QUINTO AÑO

**SISTEMA REFRIGERANTE SELLADO:** Si el sistema refrigerante sellado (definido para este propósito como el compresor, condensador, serpentín, serpentín de evaporación, válvula de reversa, válvula de control, capilar, secador de filtro y tubería de interconexión) suministrado por FRIEDRICH con su unidad de aire acondicionado falla, debido a un defecto de manufactura o del material, dentro de los 60 meses siguientes a la fecha original de compra, FRIEDRICH pagará una asignación para mano de obra y las partes necesarias para arreglar el sistema refrigerante sellado, el sistema refrigerante sellado. Sin embargo, FRIEDRICH no pagará el costo del diagnóstico del problema, el retiro y transporte de la unidad hacia/de la agencia de servicio, ni los gastos de reinstalación asociados con la reparación del sistema refrigerante sellado. Todos esos costos correrán por cuenta del propietario. Esta solución es la solución única convenida dentro de los 60 meses siguientes a la fecha original de compra.

**APLICABILIDAD Y LIMITACIONES:** Esta garantía es aplicable únicamente a unidades que permanezcan dentro del territorio de los 50 Estados Unidos de América, el Distrito de Columbia y Canadá. Esta garantía no es aplicable a:

1. Filtros de aire o fusibles.
2. Productos en los cuales se hayan retirado las especificaciones de los modelos y los números de serie.
3. Productos que sufran defectos o daños resultantes de instalación o tendido eléctrico incorrectos, características de la corriente eléctrica o mal mantenimiento. Daños causados por accidentes, mal uso o abuso, incendio, inundación, alteraciones y mala aplicación del producto y/o unidades que se hayan instalado en una atmósfera corrosiva, problemas causados por guerra, restricciones gubernamentales, paros, carencia de materiales que vaya más allá del control de FRIEDRICH, o actos de la naturaleza.

**PARA OBTENER CUMPLIMIENTO DE LA GARANTIA:** El servicio será prestado por el concesionario/representante autorizado de FRIEDRICH o la organización de servicio afiliada en su área. Estos están listados en las Páginas Amarillas. Si requiere ayuda para obtener el cumplimiento de la garantía, por favor escriba a: Room Air Conditioner Service Manager, Friedrich Air Conditioning Co., Box 1540, San Antonio, TX 78295-1540.

**LIMITACIONES: ESTA GARANTIA SE CONCEDE EN LUGAR DE OTRAS GARANTIAS. Además de lo que se detalla en la garantía, CUALQUIER GARANTIA DE IDONEIDAD EXPRESA PARA CUALQUIER PROPOSITO PARTICULAR Y/O PARA MERCADEO SE LIMITARÁ A LA DURACION CONCEDIDA POR ESTA GARANTIA EXPRESA. EL FABRICANTE RENUNCIA EXPRESAMENTE Y EXCLUYE CUALQUIER RESPONSABILIDAD POR DAÑOS INCIDENTALES O CONSECUENCIALES DETERMINADOS POR EL ROMPIMIENTO DE CUALQUIER GARANTIA EXPRESA O IMPLICITA.**

**NOTA:** Algunos estados no permiten limitaciones sobre el tiempo de duración de una garantía implícita, o no permiten la limitación o exclusión de daños incidentales o consecuenciales, así que puede ser que esas exclusiones no apliquen en su caso.

**OTRA:** Esta garantía le da derechos legales específicos. Es posible que usted tenga otros derechos que son variables en cada estado.

**PRUEBA DE COMPRA:** El propietario debe tener la prueba/recibo de compra correctos para recibir servicios relacionados con la garantía.

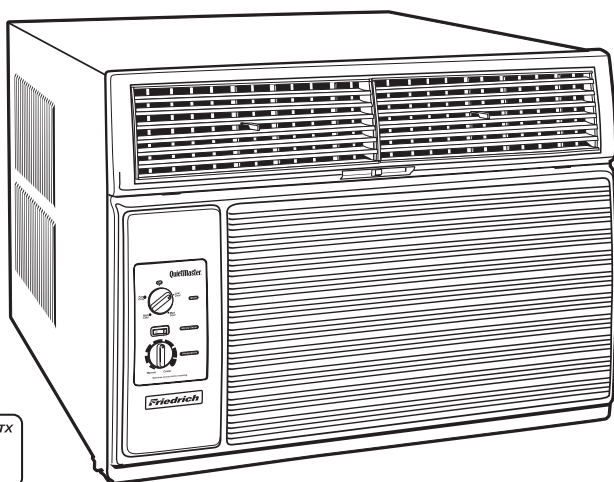
Todas las llamadas telefónicas relacionadas con la operación/reparación de este producto correrán por cuenta del consumidor. Todo servicio de garantía debe ser prestado por una agencia de servicio autorizada por FRIEDRICH, a menos que FRIEDRICH autorice expresamente otro arreglo antes de que se haga la reparación.

En caso de preguntas relacionadas con los términos de esta garantía, la versión en inglés es la que tiene prioridad.

## Guide d'utilisation

### QuietMaster® Série pour service sévère Climatiseur

SL25 | SL28 | SL36



920-002-10 (11-04)

### Enregistrement du climatiseur

Les renseignements pour l'enregistrement se trouvent sur la plaque d'identification, derrière le panneau avant.

Veuillez remplir et envoyer par courrier la carte d'enregistrement de propriétaire fournie avec ce produit ou enregistrez-vous en ligne au [www.friedrich.com](http://www.friedrich.com) (États-Unis seulement).

\_\_\_\_\_

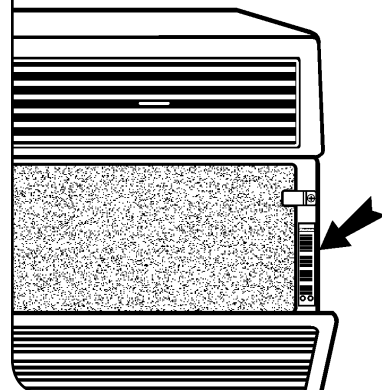
MÉRO DE MODÈLE

\_\_\_\_\_

NUMÉRO DE SÉRIE

\_\_\_\_\_

DATE D'ACHAT



# Félicitations !

Votre appareil QuietMaster® est conçu pour refroidir des espaces moyens à grands, dans des applications résidentiels. Ces appareils sont faciles à opérer, silencieux et consomment très peu d'énergie.

## Table des Matières

|  |    |
|--|----|
| Avant de mettre l'appareil en marche.....        | 16 |
| Mise en marche de l'appareil.....                | 18 |
| Commandes de fonctions .....                     | 18 |
| Commande de température .....                    | 18 |
| MoneySaver® .....                                | 18 |
| Dépose du filtre .....                           | 19 |
| Commande d'air frais et d'évacuation d'air ..... | 19 |
| Conseils de dépannage.....                       | 20 |
| Garantie .....                                   | 21 |

## ATTENTION – Avant de mettre l'appareil en marche

### Vérifier que le branchement électrique est correct.

Les fusibles, s'il y en a, doivent être du type à temporisation. Avant d'installer ou de déplacer cet appareil, vérifiez que la capacité du disjoncteur ou du fusible temporisateur ne dépasse pas la capacité indiquée sur la Figure 1.

### IL NE FAUT PAS utiliser de rallonge.

Le cordon fourni a une capacité électrique suffisante pour l'appareil. Une rallonge n'en a pas.

### Il faut vérifier que la prise est compatible avec la fiche fournie.

Ceci assure la bonne mise à la terre. Si la prise n'a que deux broches, il faut la remplacer par une prise à 3 broches avec mise à la terre, conformément à tous les règlements nationaux et locaux. En aucun cas ne devez vous enlever la broche avec mise à terre de la prise. Il faut utiliser la fiche à 3 broches fournie avec le climatiseur.

### Testez la corde d'alimentation

À leur sortie de l'usine, tous les climatiseurs individuels Friedrich possèdent une corde d'alimentation équipée d'un interrupteur détecteur de courant de fuite (LCDI). Cet interrupteur rencontre les normes UL (Underwriter's Laboratory) et NEC (Code national de l'électricité), en vigueur depuis le mois d'août 2004, pour les cordes d'alimentation branchées à des climatiseurs.

Pour tester votre corde d'alimentation :

1. Branchez la corde d'alimentation dans une prise à la terre de trois (3) broches.
2. Appuyez sur le bouton de redémarrage (RESET)
3. Appuyez sur le bouton TEST (lorsque vous entendez un déclic, le bouton de redémarrage déclenche et jaillit)
4. Appuyez et relâchez le bouton de redémarrage (RESET) (lorsque vous entendez un déclic, le bouton de redémarrage se verrouille et reste à l'intérieur). La corde d'alimentation est opérationnelle.



NOTA : L'interrupteur détecteur de courant de fuite (LCDI) ne peut être utilisé comme un commutateur.

Une fois qu'il est branché, l'appareil fonctionnera normalement sans qu'il soit nécessaire de redémarrer l'interrupteur détecteur de courant de fuite (LCDI).

Si l'appareil ne déclenche pas lorsqu'il est testé ou si la corde d'alimentation est endommagée, elle doit être remplacée par une neuve obtenue du fabricant. Nous vous recommandons d'appeler notre service d'assistance technique au 1-800-541-6654, poste 662. Afin d'accélérer le processus, veuillez avoir à la portée de la main les numéros de modèle et de série.



| MODÈLE      | CAPACITÉ DU DISJONCTEUR OU DU FUSIBLE TEMPORISATEUR |      | FORME DE LA PRISE |   |
|-------------|---|------|-------------------|---|
|             | A   | VOLT | N° NEMA           |   |
| SL25 • SL28 | 20  | 250  | 6-20P             |  |
| SL36        | 30  | 250  | 6-30P             |  |

Figure 1

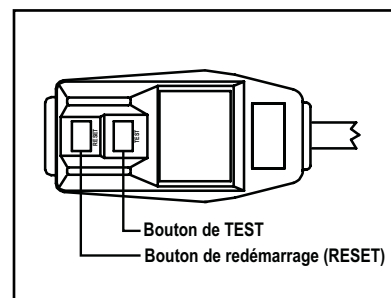


Figure 2

## Pour obtenir le meilleur refroidissement et le meilleur rendement électrique

### Nettoyage du filtre à air

Nettoyer régulièrement le filtre à air pour assurer que le climatiseur est toujours en excellent état de fonctionnement. Consulter les instructions de dépose et de nettoyage page 19.

### Bon débit d'air

Il faut s'assurer que l'air peut circuler librement autour du climatiseur. L'air climatisé sort du haut du climatiseur et l'air non climatisé entre à la base du climatiseur. La circulation d'air est très importante pour assurer le bon fonctionnement. Il est tout aussi important d'avoir une bonne circulation d'air autour du climatiseur à l'extérieur du bâtiment.

### Position de l'appareil

L'appareil a un meilleur rendement quand il est placé dans une fenêtre ou un mur à l'ombre d'un arbre ou d'un autre bâtiment. L'utilisation de draperies ou de jalousies sur le côté ensoleillé de l'habitation augmente également l'efficacité de l'appareil.

### Isolation

Une bonne isolation aide beaucoup au maintien d'un niveau de confort désirable. Les portes doivent être équipées d'un bourrelet de calfeutrage. Il faut prendre soin de mettre du mastic autour des portes et des fenêtres.

### Installation appropriée du joint d'étanchéité

Assurez-vous que le joint d'étanchéité a été installé convenablement afin de réduire le bruit et améliorer l'efficacité. Si le joint d'étanchéité n'a pas été installé, veuillez consulter votre guide de l'installateur et suivez les directives.

## Utilisation du climatiseur de Friedrich (suite)

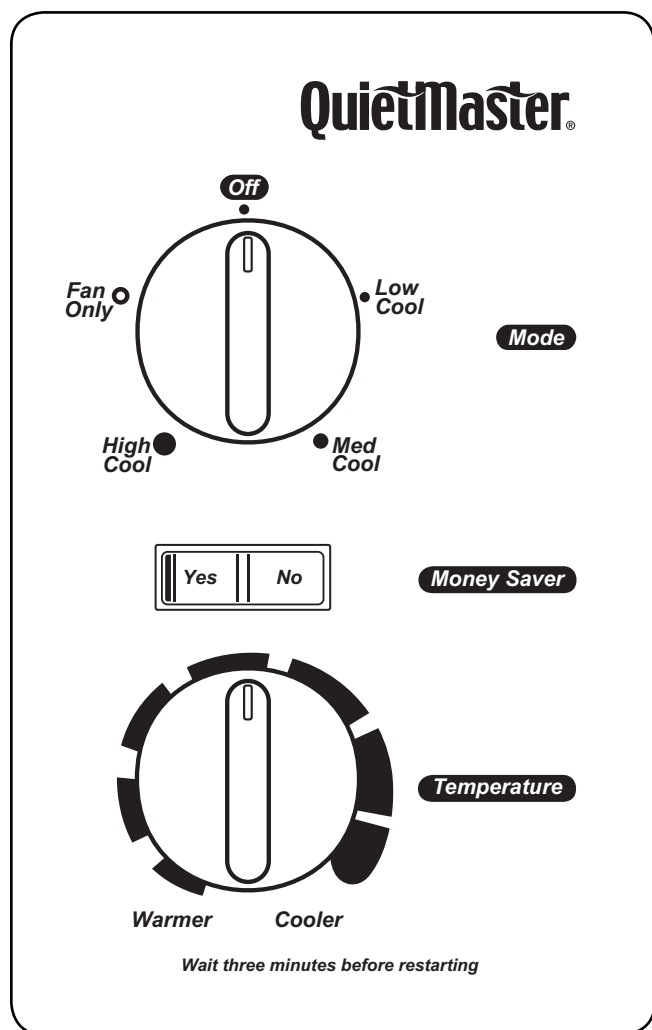


Figure 3

### Mise en marche de l'appareil

Le climatiseur est prêt à l'utilisation s'il est installé et branché dans une prise appropriée.

### Commandes de fonctions

Ce bouton permet la sélection de trois différentes vitesses de refroidissement, ainsi que du FAN ONLY (ventilateur seulement).

Mettre sur OFF (arrêt) pour tout éteindre.

Mettre sur HI COOL (refroidissement puissant) pour refroidir rapidement.

Mettre sur MED COOL (refroidissement moyen) pour maintenir une température désirée.

Mettre sur LO COOL (refroidissement faible) pour utilisation la nuit ou quand la demande est faible.

La position FAN ONLY (ventilateur seulement) fait circuler l'air dans la pièce sans mettre le compresseur en marche. Il est aussi possible d'utiliser la position FAN ONLY en position d'évacuation d'air pour éliminer l'air vicié ou la fumée d'une pièce. Il est également possible de l'utiliser en position d'air frais pour amener de l'air extérieur dans la pièce, spécialement au printemps et en automne quand il n'est pas nécessaire de refroidir.

Les commandes de Fresh Air (air frais) et EXHAUST (évacuation) sont à proximité des bouches d'air supérieures (consulter la Figure 6, page 19). La position centrale de cette commande est la position normale ou fermée qui fait circuler l'air afin d'obtenir le rendement maximum en mode de refroidissement.

### Commande de température

Ce bouton est le thermostat. Le tourner dans le sens des aiguilles d'une montre pour obtenir une température plus basse et dans le sens inverse des aiguilles d'une montre pour obtenir une température plus élevée.

### Interrupteur MoneySaver®

Il est possible d'appuyer sur le côté YES ou NO (oui ou non) de cet interrupteur à bascule. Appuyer sur la position YES (oui) pour obtenir le fonctionnement le plus économique. Le ventilateur et le compresseur fonctionnent en même temps, maintenant la température sélectionnée à un niveau plus constant et réduisant l'humidité d'une manière plus efficace. Cette commande fonctionne seulement quand l'appareil est en mode de refroidissement. Appuyer sur la position NO (non) pour faire fonctionner continuellement le ventilateur quand l'appareil est en mode de refroidissement.

# Démontage, lavage et remplacement du filtre et de la grille de reprise d'air

## Démontage, lavage et remplacement du filtre et de la grille de reprise d'air

Ouvrez la grille de reprise d'air en la saisissant par ses rebords d'extrémité supérieurs et en la tirant vers vous (Figure 4). La grille de reprise d'air restera ouverte jusqu'à ce qu'elle soit détachée ou fermée (Il est plus facile de détacher la grille complètement avant de la fermer). Au cas où il faudrait que vous l'enleviez, saisissez-la par le bas et tirez-la vers vous.

Le filtre est maintenu en place au moyen de deux agrafes élastiques (Figure 4). Enfoncez-les, saisissez le filtre et enlevez-le en le tirant vers vous afin d'en effectuer l'entretien. Nettoyez-le à l'eau chaude avec un savon doux, rincez-le, asséchez-le complètement, puis remettez-le en place. Prenez cependant des précautions au moment de retirer le filtre, car ses pièces métalliques internes comportent des bords coupants.

Si la grille de reprise a été enlevée, fermez-la en la saisissant par ses rebords d'extrémité inférieurs (Figure 5, Note 1). Soulevez la grille de reprise et insérez les languettes dans les rainures du bas de la grille de reprise. (Figure 5, Note 2). Poussez la grille dans sa place en la poussant vers le haut et dans les languettes du bas de l'unité. (Figure 5, Notes 3 et 4)

## Contrôle d'air frais et d'évacuation d'air refoulement

En plaçant le bouton sur la position de refoulement, EXHAUST (Figure 6), l'air vicié et les odeurs de fumée pourront être éliminés de la pièce. Cette fonction devrait être utilisée en combinaison avec la fonction de ventilateur seulement (FAN ONLY) pour envoyer le flux d'air vers l'extérieur. Pour un refroidissement normal, le bouton devrait être en position fermée normale (VENT SHUT) pour une performance maximale.

Figure 4

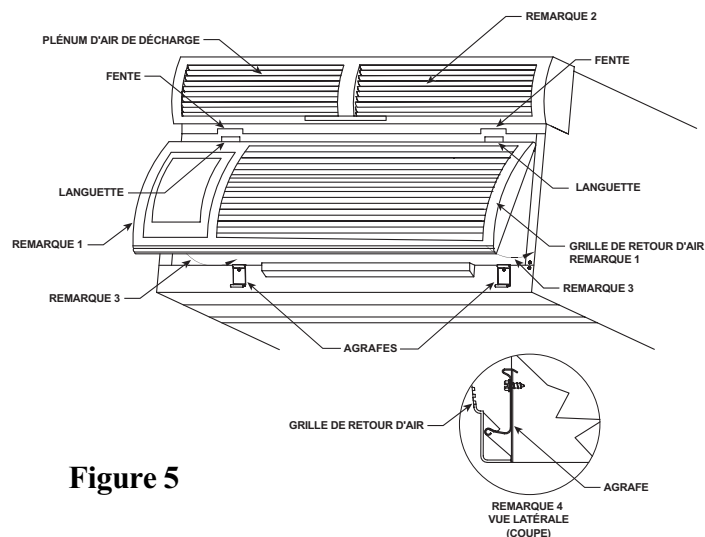
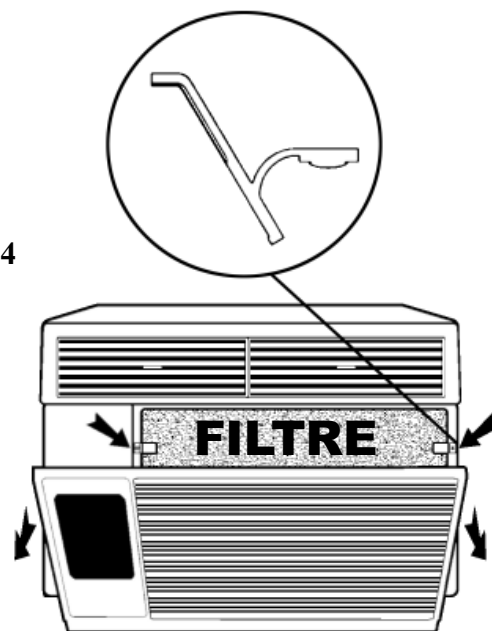


Figure 5

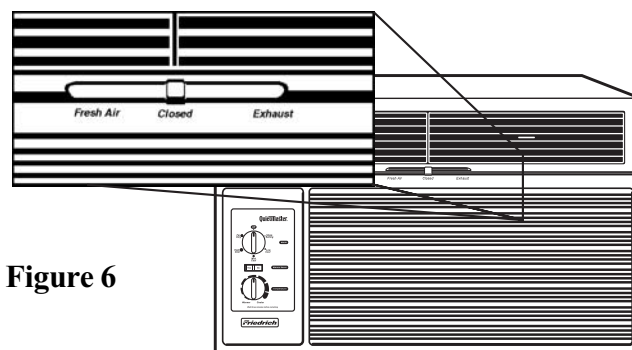


Figure 6

## Trucs pour dépanner et entretien à domicile

### L'appareil ne refroidit pas?

Si votre climatiseur fonctionne, mais qu'il ne refroidit pas, vérifiez si les commandes sont bien ajustées. Vérifiez le filtre et nettoyez-le très bien si cela est nécessaire. Vérifier si la porte d'aération est fermée. Vérifiez si le joint d'étanchéité du châssis est installé (consultez les directives d'installation).

### Le climatiseur ne fonctionne pas?

Assurez-vous que la corde d'alimentation est bien branchée. Vérifiez pour un mauvais fusible, un coupe-circuit ou un interrupteur détecteur de courant de fuite (LCDI) déclenché. Consultez la page 16 pour les directives de redémarrage de l'interrupteur détecteur de courant de fuite (LCDI) et assurez-vous que c'est le bon type de fusible (30A).

### C'est un appareil pour temps chaud

Le climatiseur est conçu pour refroidir par temps chaud, quand la température extérieure est supérieure à 60°F (16°C) et au dessous de 115°F (46°C). Il ne peut pas refroidir une pièce s'il fait déjà froid dehors. Pour refroidir une pièce en hiver, mettre l'appareil sur Fan Only (ventilateur seulement) et la commande de Fresh Air / Exhaust sur Fresh Air (air frais). Ceci introduit de l'air frais de l'extérieur.

### La condensation est normale

Les climatiseurs pompent de la chaleur et de l'humidité de la pièce vers l'air extérieur. L'humidité devient de l'eau et le climatiseur utilise la plus grande portion de l'eau pour maintenir froid le serpentín extérieur. Si l'humidité est excessive, de l'eau peut s'égoutter à l'extérieur. Ceci est normal.

### Givre

Ceci est généralement causé par un débit d'air insuffisant autour des serpentins, un filtre sale, du temps frais et humide ou une combinaison de ces éléments. Mettre l'appareil en mode de ventilateur seul (Fan Only) pour faire disparaître le givre. Régler le thermostat à une température légèrement supérieure peut également éviter la formation de givre.

### Bruit

Tous les climatiseurs font un peu de bruit. Les QuietMasters® de Friedrich fonctionnent aussi silencieusement que possible. Un climatiseur installé au mur fait moins de bruit qu'un appareil installé dans une fenêtre. S'il s'agit d'une installation dans une fenêtre, la trousse d'installation fournie avec les modèles Quietmaster atténuera les niveaux de sonorité à la condition qu'elle soit faite convenablement. Il est important de s'assurer que le joint d'étanchéité du châssis est convenablement installé (consultez les directives d'installation).

### Nettoyage de votre climatiseur

Il est possible de nettoyer la grille de décoration et le coffret avec de l'eau chaude et un détergent liquide doux. Quand le serpentín intérieur est sale, le nettoyer avec le suceur de dépoussiérage d'un aspirateur. S'il est accessible, arroser doucement le serpentín extérieur avec un tuyau d'eau. S'il n'est pas accessible, appeler un technicien pour faire un nettoyage approfondi, selon le besoin. Le filtre à air doit être inspecté hebdomadairement et nettoyé, si cela est nécessaire, avec un chiffon à poussière ou dans l'évier avec de l'eau chaude et du détersif à vaisselle doux. Essayez minutieusement avant de réinstaller le filtre.



Friedrich Air Conditioning Company  
 P.O. Box 1540  
 San Antonio, TX 78295  
 210.357.4400  
 www.friedrich.com

## Garantie limitée – Climatiseurs Friedrich

### GARANTIE LIMITÉE - PREMIÈRE ANNÉE

**TOUTES LES PIÈCES** - Si, dans les 12 mois suivant la date d'achat initial, une pièce fournie par FRIEDRICH est défectueuse à cause d'un défaut de main d'oeuvre ou de matériel, FRIEDRICH réparera le produit gratuitement, pourvu qu'il soit raisonnablement facile d'obtenir accès au climatiseur pour le réparer. Toute main d'oeuvre nécessaire pour déposer des appareils d'accès difficile et/ou les frais de déplacement (kilométrage) par le centre de réparation, au delà de 25 miles (40km) dans une seule direction, sont la responsabilité du propriétaire. Ce remède est expressément accepté comme le seul remède dans les 12 mois suivant la date d'achat initial.

### GARANTIE LIMITÉE - DEUXIÈME À CINQUIÈME ANNÉE

**SYSTEME DE RÉFRIGÉRATION ÉTANCHE** - Si le système de réfrigération étanche (dans le cadre de cette garantie, défini comme le compresseur, le serpentín de condenseur, le serpentín d'évaporateur, la vanne d'inversion, le clapet de non-retour, le tube capillaire, le filtre-déshydrateur et tous leurs tubes de raccordement) faisant partie du climatiseur FRIEDRICH est défectueux à cause d'un défaut de main d'oeuvre ou de matériau dans les 60 mois à compter de la date d'achat initial, FRIEDRICH paiera une allocation pour les frais de main d'oeuvre et les pièces nécessaires pour réparer le système de réfrigération étanche. FRIEDRICH ne paiera pas pour les frais de diagnostic du problème, de dépose, de transport du climatiseur jusqu'au centre de réparation et de retour ni les frais de repose associés à la réparation du système de réfrigération étanche. Tous ces frais sont à la charge du propriétaire. Ce remède est expressément accepté comme le seul remède dans les 60 mois suivant la date d'achat initial.

**CONDITIONS D'APPLICATION ET LIMITATIONS** - Cette garantie s'applique à tous les appareils vendus au détail aux États-Unis, dans le District de Columbia et au Canada. Cette garantie ne s'applique pas :

1. aux filtres à air ni aux fusibles ;
2. aux produits dont le numéro de modèle et le numéro de série ont été enlevés ;
3. aux produits dont les défauts ou dégâts ont été causés par une mauvaise installation, un mauvais câblage, l'alimentation avec une mauvaise tension ou par un mauvais entretien ; ni causés par un accident, une mauvaise utilisation ou des abus, un incendie, des inondations, des modifications et/ou une mauvaise application du produit et/ou des appareils installés dans une atmosphère corrosive, problèmes ou délais de réparation causés par actes de guerre, des restrictions ou limitations par le gouvernement, des grèves, des manquements de matériel en dehors du contrôle de FRIEDRICH ou par des cas de force majeure.

**OBTENTION DE RÉPARATION SOUS GARANTIE** - Le service sera fourni par un distributeur agréé par FRIEDRICH ou un centre de réparation dans la région. Ils sont indiqués dans les Pages Jaunes. S'il faut de l'assistance pour obtenir des réparations sous garantie, écrire à Room Air Conditioner Service Manager, Friedrich Air Conditioning Co., P.O. Box 1540, San Antonio, Texas 78295-1540.

**LIMITATIONS - CETTE GARANTIE A ÉTÉ DONNÉE EN REMPLACEMENT DE TOUTE AUTRE GARANTIE. Indépendamment de cette garantie, TOUTE GARANTIE SOUS-ENTENDUE D'APPLICATION POUR UN BUT PARTICULIER ET/OU DE VENDABILITÉ EST LIMITÉE À LA DURÉE DE LA GARANTIE EXPRESSE. LE FABRICANT SPÉCIFIQUEMENT DÉCLINE ET REFUSE TOUTE RESPONSABILITÉ POUR LES DOMMAGES INDIRECTS OU SECONDAIRES POUR INEXÉCUTION DE TOUTE GARANTIE EXPRESSE OU SOUS-ENTENDUE.**

**REMARQUE** - Certaines provinces ne permettent pas les limitations sur la longueur de la garantie sous-entendue ou ne permettent pas la limitation ni l'exclusion des dommages indirects ou secondaires, il est donc possible que ces exclusions et limitations ne s'appliquent pas à un cas spécifique.

**AUTRE** - Cette garantie donne des droits spécifiques et il est possible que le propriétaire ait d'autres droits qui varient d'une province à l'autre.

**PREUVE D'ACHAT** - Le propriétaire doit fournir la preuve d'achat pour pouvoir recevoir des services sous garantie.

Tous les appels pour expliquer le fonctionnement de ce produit sont à la charge du consommateur.

Toute réparation sous garantie doit être faite par un agent de réparation agréé par **FRIEDRICH**, sauf en cas d'autorisation préalable par FRIEDRICH.

En cas de question concernant les clauses de cette garantie, la version en anglais a priorité.





***Friedrich***<sup>®</sup>

Friedrich Air Conditioning Co.

Post Office Box 1540 • San Antonio, Texas 78295-1540

4200 N. Pan Am Expressway • San Antonio, Texas 78218-5212

(210) 357-4400 • FAX (210) 357-4480

[www.friedrich.com](http://www.friedrich.com)

Printed in the U.S.A.

920-002-10 (11-04)