

3.6" FlipTop Touchpanel Control Center

The C2N-FT-TPS4 provides an ingenious control and connectivity solution in a stylish flush mount tabletop package. Simply flip open the "FlipTop" lid to expose a color touchpanel and keypad, perfectly angled for easy access and operation. The built-in cable storage compartment keeps interface cables at the ready for plugging in computers, AV sources, and a host of other devices.

FlipTop Housing—Handsome finished in either black anodized or brushed aluminum, the C2N-FT-TPS4 mounts flush in any tabletop surface for a clean, discreet appearance.

Integrated Touchpanel—Integrated into the FlipTop lid, the bright 3.6" active matrix color touchscreen provides a fully-customizable user interface for control of AV, lighting, and other functions. With 16-bit Isys® graphics, the C2N-FT-TPS4 produces amazing 3D graphics, dynamic text, and full-motion animations complete with WAV file audio feedback. Ten programmable pushbuttons are also included featuring translucent buttons with white LED backlighting and engravable faceplate. To prevent accidental button presses, the touchpanel and pushbuttons are automatically disabled whenever the lid is not fully opened.

Cable Storage Compartment—The C2N-FT-TPS4 also provides for extensive connectivity through an easy pull-out cable storage mechanism to support a wide range of applications and signal types. Eight grommets are provided in the bottom plate, allowing for smooth pass-thru of virtually any type of AV, communication, control, or data cable (cables not included). When not in use, the user end of each cable stows neatly within the FlipTop compartment while excess cable simply drops out-of-sight below the box. An optional AC power receptacle within the compartment is also available.

High-Speed Connectivity—Both Cresnet and high-speed Ethernet are standard on the C2N-FT-TPS4, providing for easy network integration and seamless communications with Crestron control systems.

- > *Stylish flush-mount FlipTop housing*
- > *Integrated 3.6" active matrix color touchpanel*
- > *16-bit Isys graphics | 320 x 240 resolution*
- > *Synapse Image Rendering Algorithm*
- > *10 translucent white backlit pushbuttons*
- > *WAV file audio feedback*
- > *Easy pull-out universal cable management*
- > *Optional AC power outlet*
- > *Cresnet and Ethernet communications*

AVAILABLE MODELS

C2N-FT-TPS4-B

3.6" FlipTop Touchpanel Control Center, Black Anodized

C2N-FT-TPS4-BALUM

3.6" FlipTop Touchpanel Control Center, Brushed Aluminum

C2N-FT-TPS4-U-B

3.6" FlipTop Touchpanel Control Center without AC Outlet, Black Anodized

C2N-FT-TPS4-U-BALUM

3.6" FlipTop Touchpanel Control Center without AC Outlet, Brushed Aluminum



Shown with optional AC power outlet



SPECIFICATIONS

Touchpanel

Display Type: Active matrix color LCD
Size: 3.6 inch (9.1 cm) diagonal
Resolution: 320 x 240 pixels
Color Depth: 18-bit, 262,144 colors
Brightness: 300 nits (cd/m²)
Contrast: 300:1
Illumination: Edgelit fluorescent
Viewing Angle: ±80° horizontal, +80°/-50° vertical

Processor

CPU: 32-Bit Freescale Coldfire® Microprocessor
Processing Speed: 96 MIPS

Memory

8 MB Flash, 16 MB DDR RAM

Graphic Engine

16 Bit non-palette graphics; 65,536 colors; Synapse image rendering algorithm

Ethernet

10/100BaseT, full duplex, IEEE 802.3u compliant

Buttons

Keypad: (10) translucent pushbuttons, white LED backlit, programmable
Reset: Hard reset via small hole above touchscreen, reboots the touchpanel
SETUP (bottom): Used for touch-settable ID (TSID)

LED Indicators - Bottom Panel

PWR: (green) Indicates 24 Volts DC power supplied from Cresnet control network
NET: (yellow) Indicates communication with Cresnet system
SETUP: Used for touch-settable ID (TSID)

Audio

Audio Feedback (WAV): 8 bit PCM, mono, 8 kHz sampling rates
Amplification: 1 Watt for built-in speaker

Connectors - Front Panel

125V (optional): (1) 3-prong grounded AC socket, AC power pass-thru outlet
Maximum Load: 10 Amps @ 125 Volts AC, 50/60 Hz

Connectors - Bottom Panel

125V (optional): (1) 6' Grounded line cord, passes through to front panel AC power outlet

NET: (2) 4-pin 3.5mm detachable terminal blocks, Cresnet slave ports, paralleled

ETHERNET: (1) 8-wire RJ45 with 2 LED indicators; 10/100BaseT Ethernet port
Green LED indicates link status, Yellow LED indicates Ethernet activity

G: (1) 6-32 screw, chassis ground lug

Crestron C2N-FT-TPS4 3.6" FlipTop Touchpanel Control Center

Power Requirements

Cresnet Power Usage: 5 Watts (0.21 Amps @ 24 Volts DC)

Environmental

Temperature: 41° to 104°F (5° to 40°C)

Humidity: 10% to 90% RH (non-condensing)

Enclosure

Black painted metal with black anodized or brushed aluminum cover; integrated touch-panel and keypad with engravable faceplate, cable management; flush tabletop mountable

Dimensions

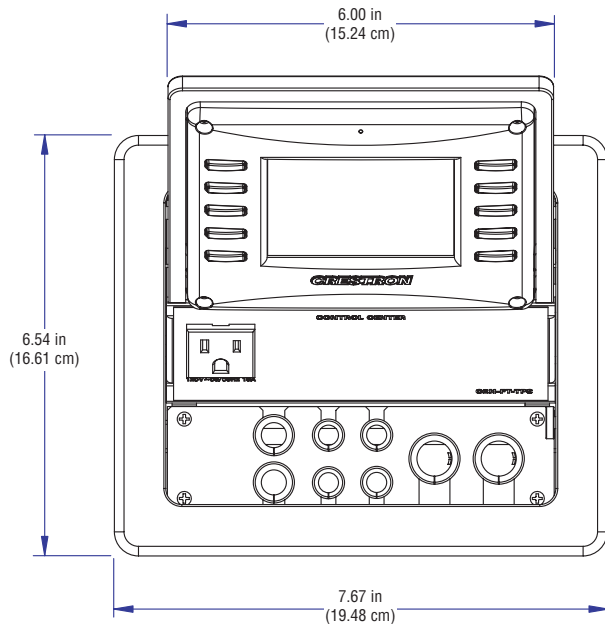
Height: 5.74 in (14.58 cm) – with lid closed

Width: 7.67 in (19.48 cm)

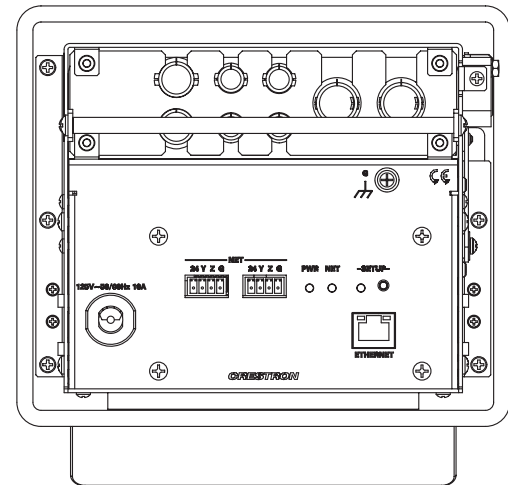
Depth: 6.54 in (16.61 cm) – without mounting brackets

Weight

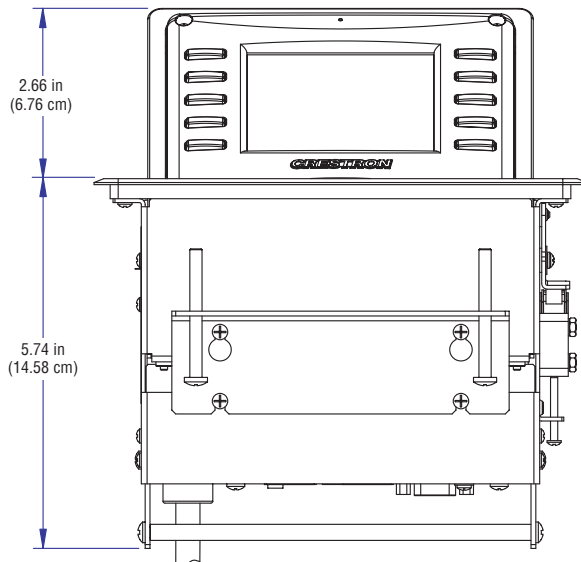
(TBD)



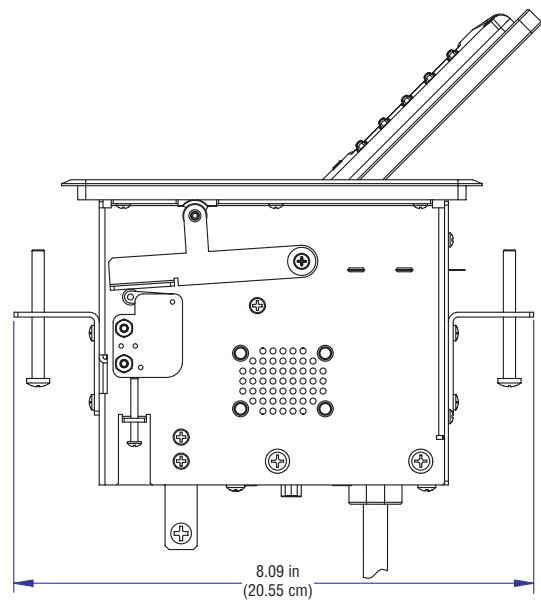
Top View
(without mounting brackets)



Bottom View
(without mounting brackets)



Front View



Right Side View