



**SPLIT TYPE
ROOM AIR CONDITIONER
WALL MOUNTED type**

**SERVICE
MANUAL**

Indoor unit	Outdoor unit
MW30C3F	MR30C3F
MW36C3F	MR36C3F

CONTENTS

SPECIFICATIONS	1
DIMENSIONS	2
REFRIGERANT SYSTEM DIAGRAM	4
CIRCUIT DIAGRAM	5
INDOOR PCB CIRCUIT DIAGRAM	6
OUTDOOR PCB CIRCUIT DIAGRAM	9
ERROR CONTENTS	13
PARTS (indoor unit)	14
PARTS (outdoor unit)	18
STANDARD ACCESSORIES	22

SPECIFICATIONS

ELECTRICAL DATA

INDOOR UNIT	MW30C3F	MW36C3F
OUTDOOR UNIT	MR30C3F	MR36C3F
COOLING CAPACITY	30,700 BTU/hr	33,100 BTU/hr
POWER SOURCE	208 V / 230 V	208 V / 230 V
FREQUENCY	60 Hz	60 Hz
RUNNING CURRENT	15.2 A	17.7 A
INPUT WATTS	3,460 W	4,040 W
SEER	15.0	15.0
MOISTURE REMOVAL	9.7 Pts/hr (4.6 L/hr)	10.1 Pts/hr (4.8 L/hr)
AIR CIRCULATION HIGH	647 cfm (1,100 m ³ /hr)	706 cfm (1,200 m ³ /hr)
MAXIMUM CURRENT	. A	. A

COMPRESSOR AND REFRIGERANT

TYPE	Hermetic motor, 4 poles, Rotary type	
POWER SOURCE	208 V / 230 V 60 Hz	
DISCRIMINATION	5KD240XAD21	
WEIGHT (with oil)	. kg	
REFRIGERANT	4 lb.10 oz (2,100 g)	
REFRIGERANT TYPE	R410A	
FULL CHARGE	Pipe length 20 m	4 lb. 10 oz. (2,100 g)
	30 m	5 lb. 8 oz. (2,500 g)
	40 m	6 lb. 6 oz. (2,900 g)
	50 m	7 lb. 4 oz. (3,300 g)
ADDITIONAL CHARGE	40 g/m	

FAN MOTOR

POWER SOURCE	208 V / 230 V	208 V / 230 V	
INDOOR UNIT	HIGH	1,330 r.p.m.	1,430 r.p.m.
	MED	1,120 r.p.m.	1,120 r.p.m.
	LOW	940 r.p.m.	940 r.p.m.
	QUIET	830 r.p.m.	830 r.p.m.
OUTDOOR UNIT	850 r.p.m.	850 r.p.m.	

NOISE LEVEL

INDOOR UNIT	HIGH	47 dB	49 dB
	MED	41 dB	41 dB
	LOW	36 dB	36 dB
	QUIET	32 dB	32 dB
OUTDOOR UNIT	53 dB	54 dB	

DIMENSIONS

INDOOR UNIT H x W x D	12-5/8 x 39-1/4 x 9 inch 320 x 998 x 228 mm
OUTDOOR UNIT H x W x D	32-3/4 x 35-3/8 x 13 inch 830 x 900 x 300 mm

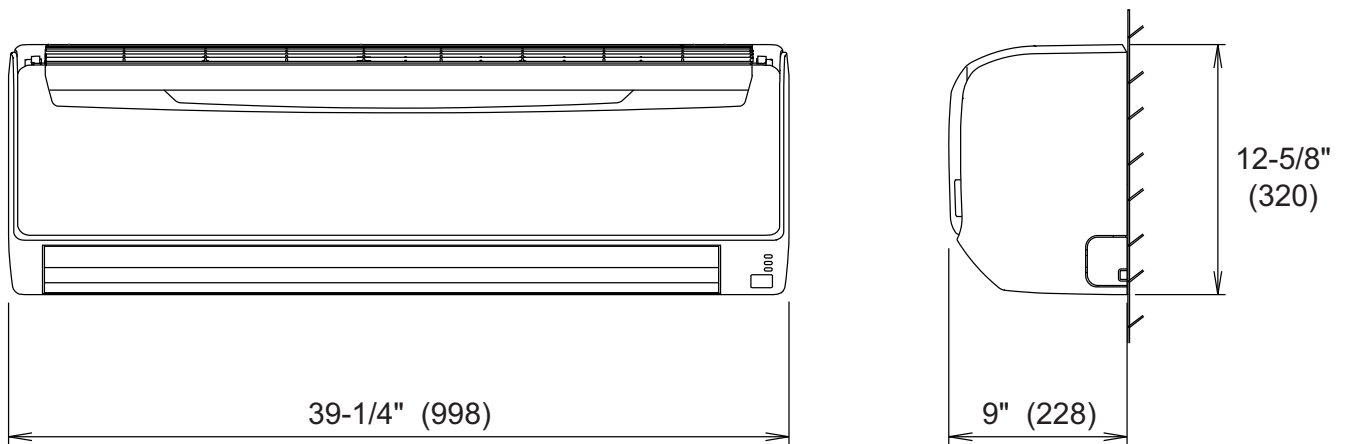
WEIGHT

INDOOR UNIT Gross / Net	40 lbs. / 31 lbs. (18 kg / 14 kg)	
OUTDOOR UNIT Gross / Net	155 lbs. / 137 lbs. (70 kg / 62 kg)	155 lbs. / 137 lbs. (70 kg / 62 kg)

OUTLINE AND DIMENSIONS

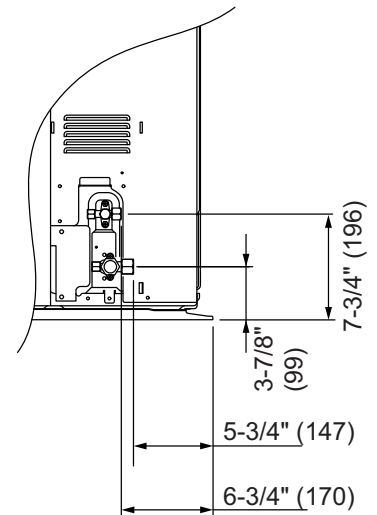
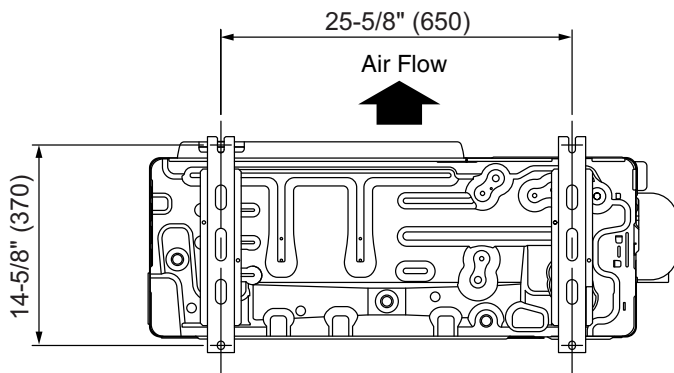
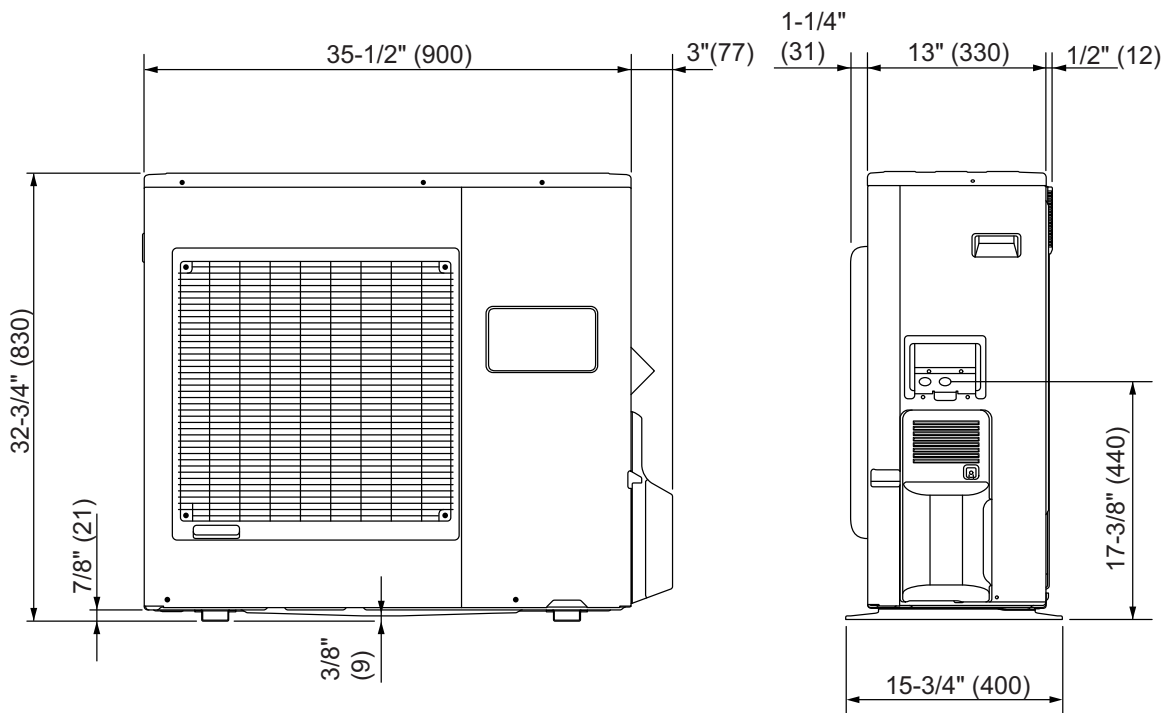
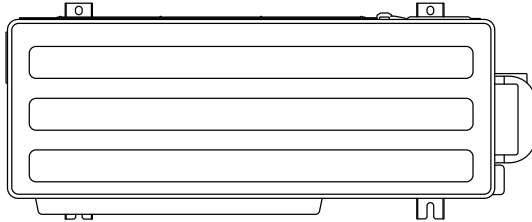
INDOOR UNIT

Unit : inch (mm)

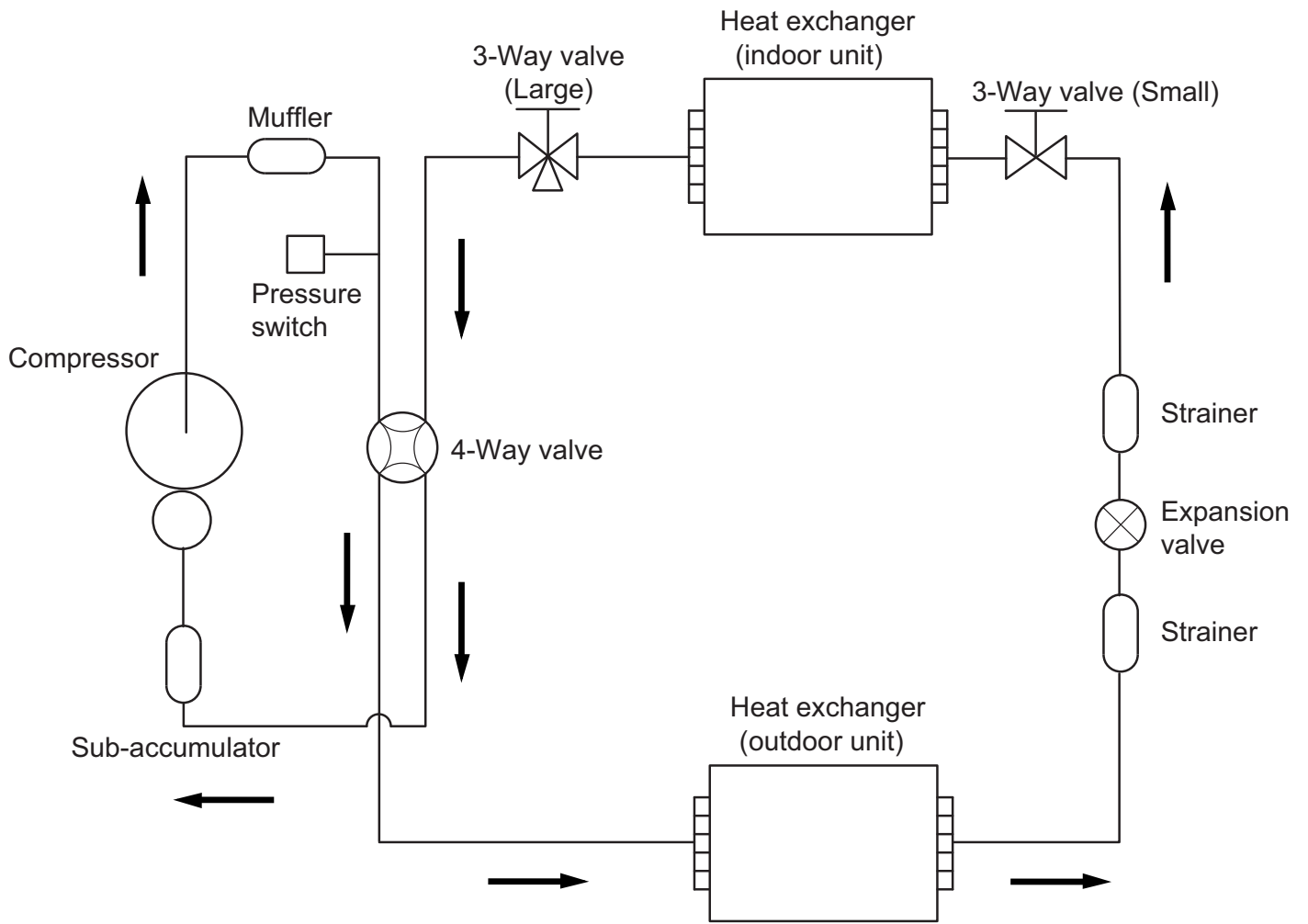


OUTDOOR UNIT

Unit : inch (mm)



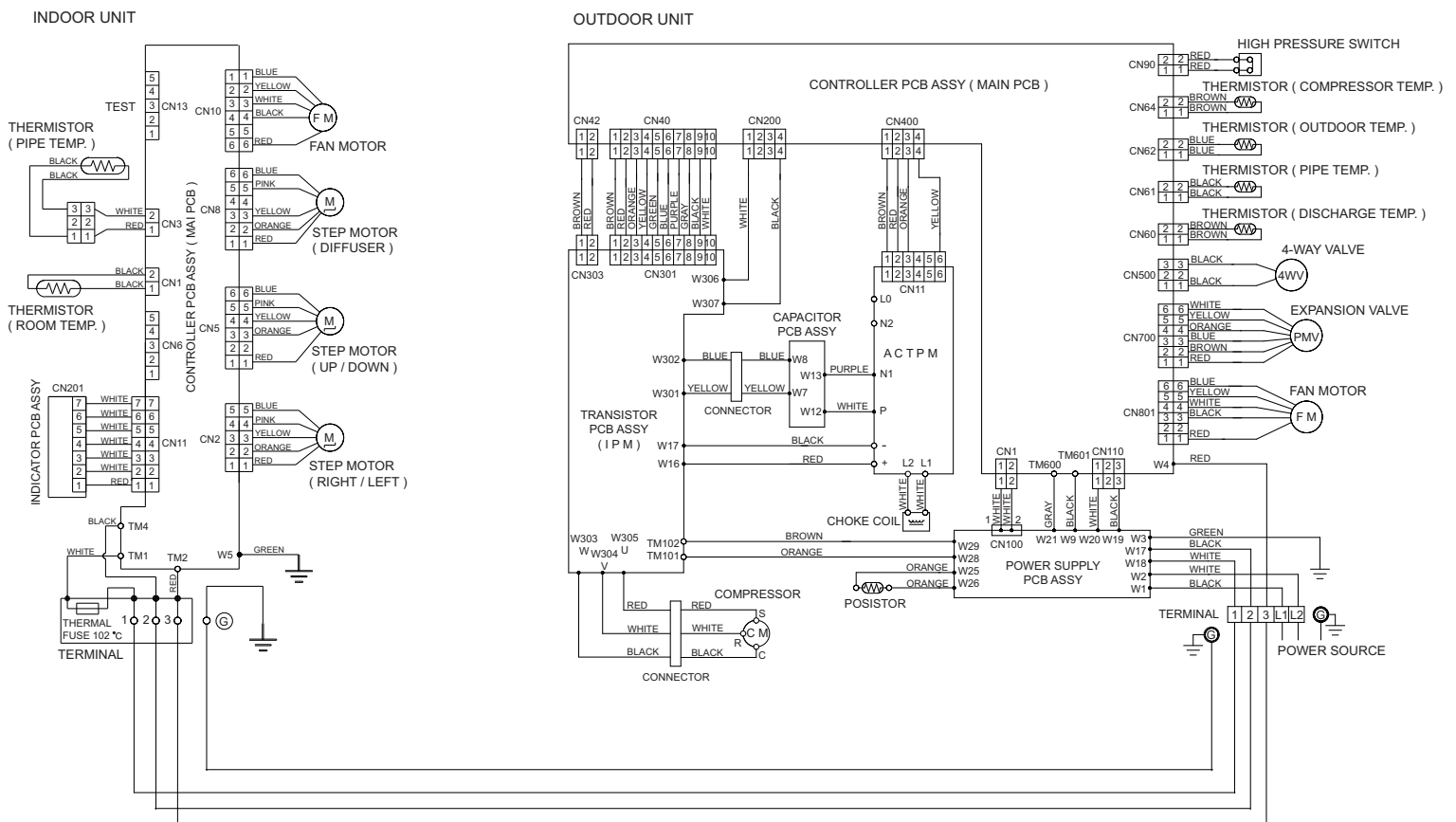
REFRIGERANT SYSTEM DIAGRAM



➔ Refrigerant direction

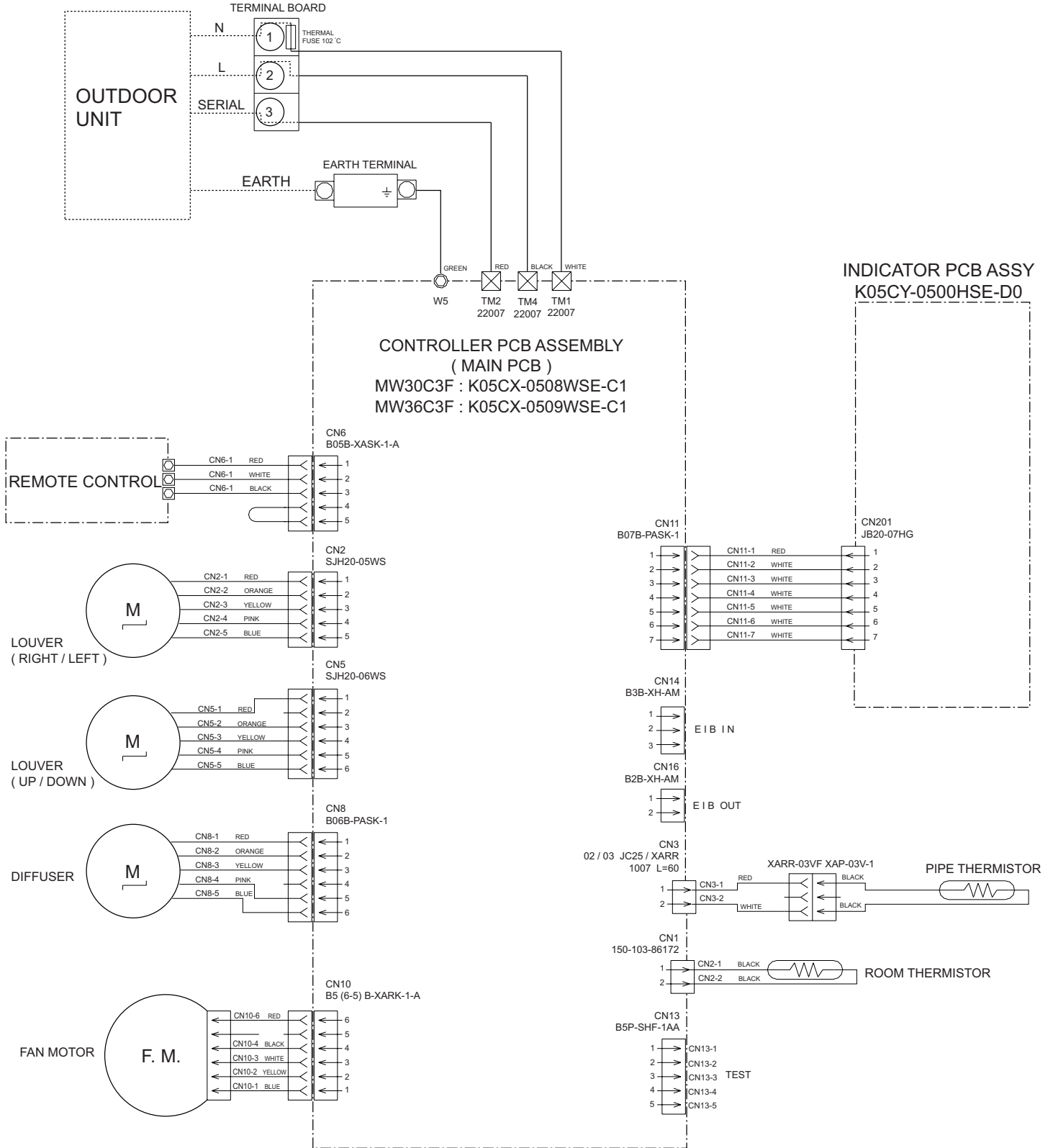
Refrigerant pipe diameter
 Liquid : 3/8" (9.52 mm)
 Gas : 5/8" (15.88 mm)

CIRCUIT DIAGRAM

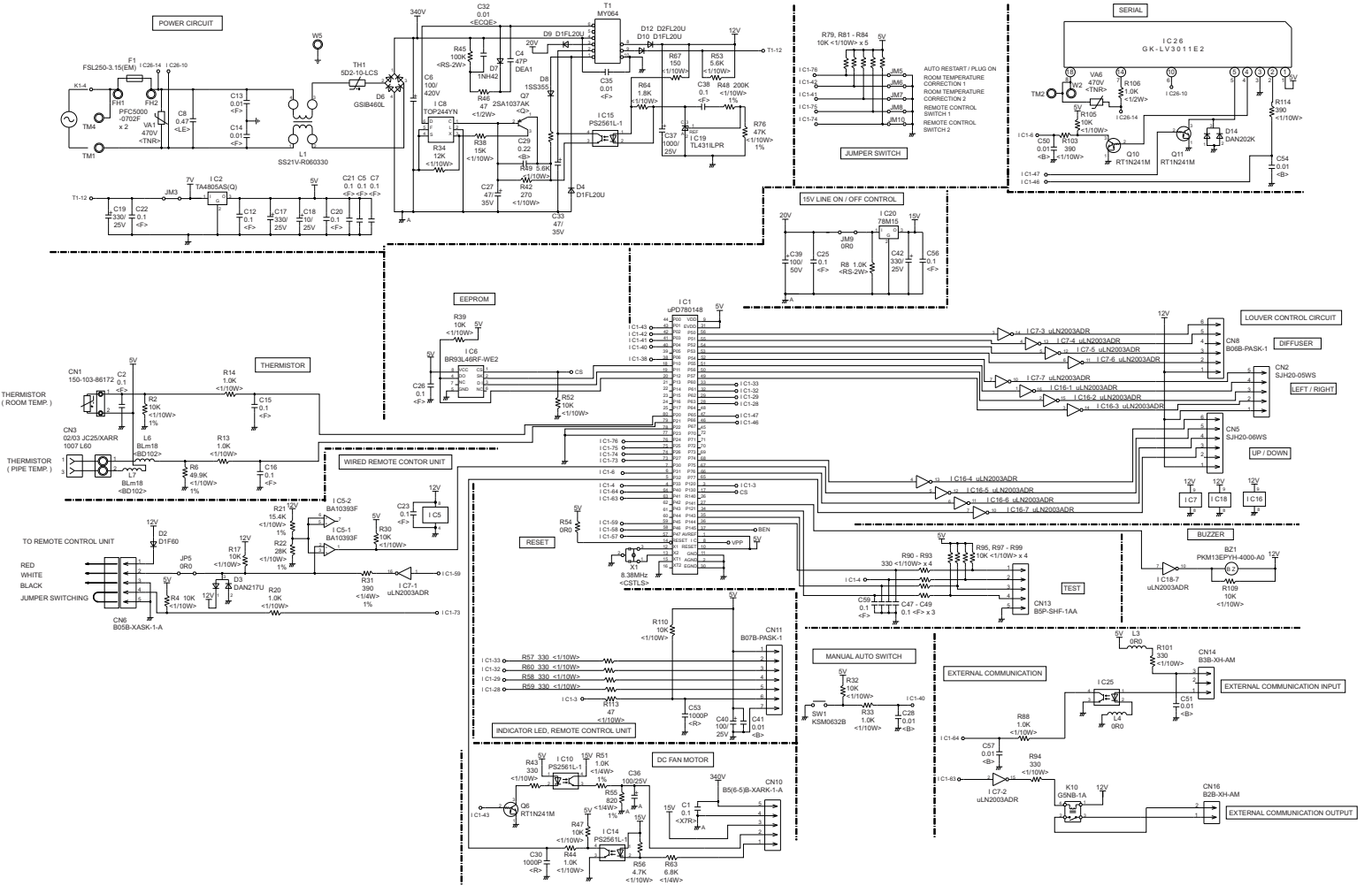


INDOOR PCB CIRCUIT DIAGRAM

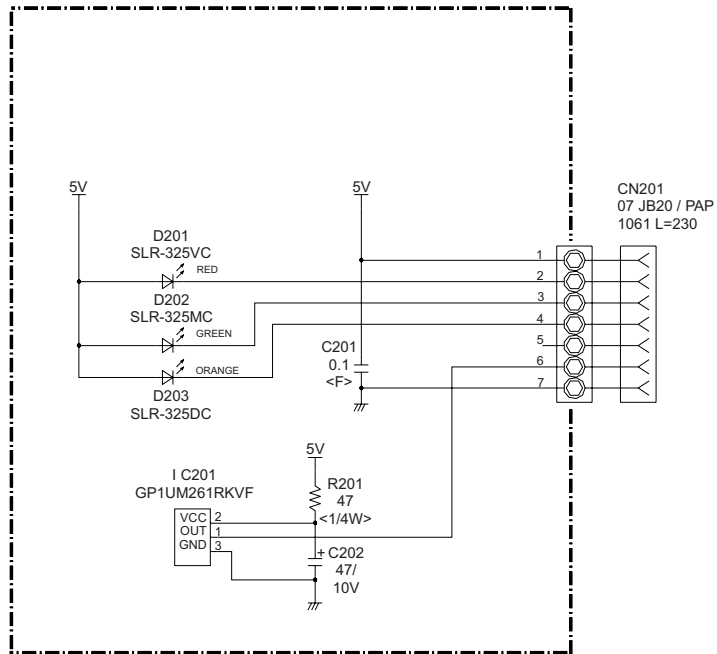
CONTROL UNIT
 MW30C3F : EZ-005DWSE
 MW36C3F : EZ-0055WSE



INDOOR UNIT
 CONTROLLER PCB ASSEMBLY (MAIN PCB)
 MW30C3F : K05CX-0508WSE-C1
 MW36C3F : K05CX-0509WSE-C1

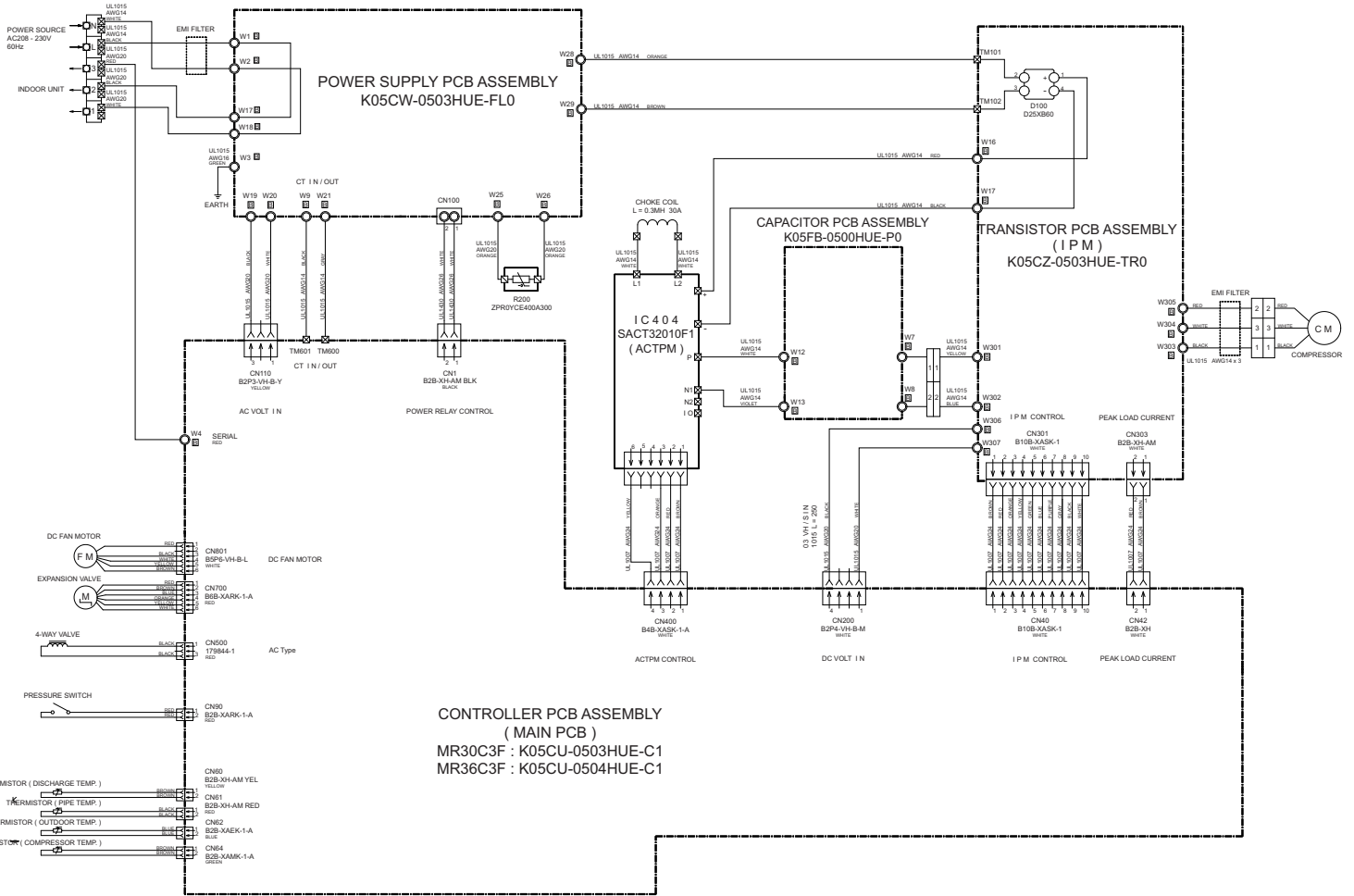


INDOOR UNIT
 INDICATOR PCB ASSEMBLY
 K05CY-0500HSE-D0

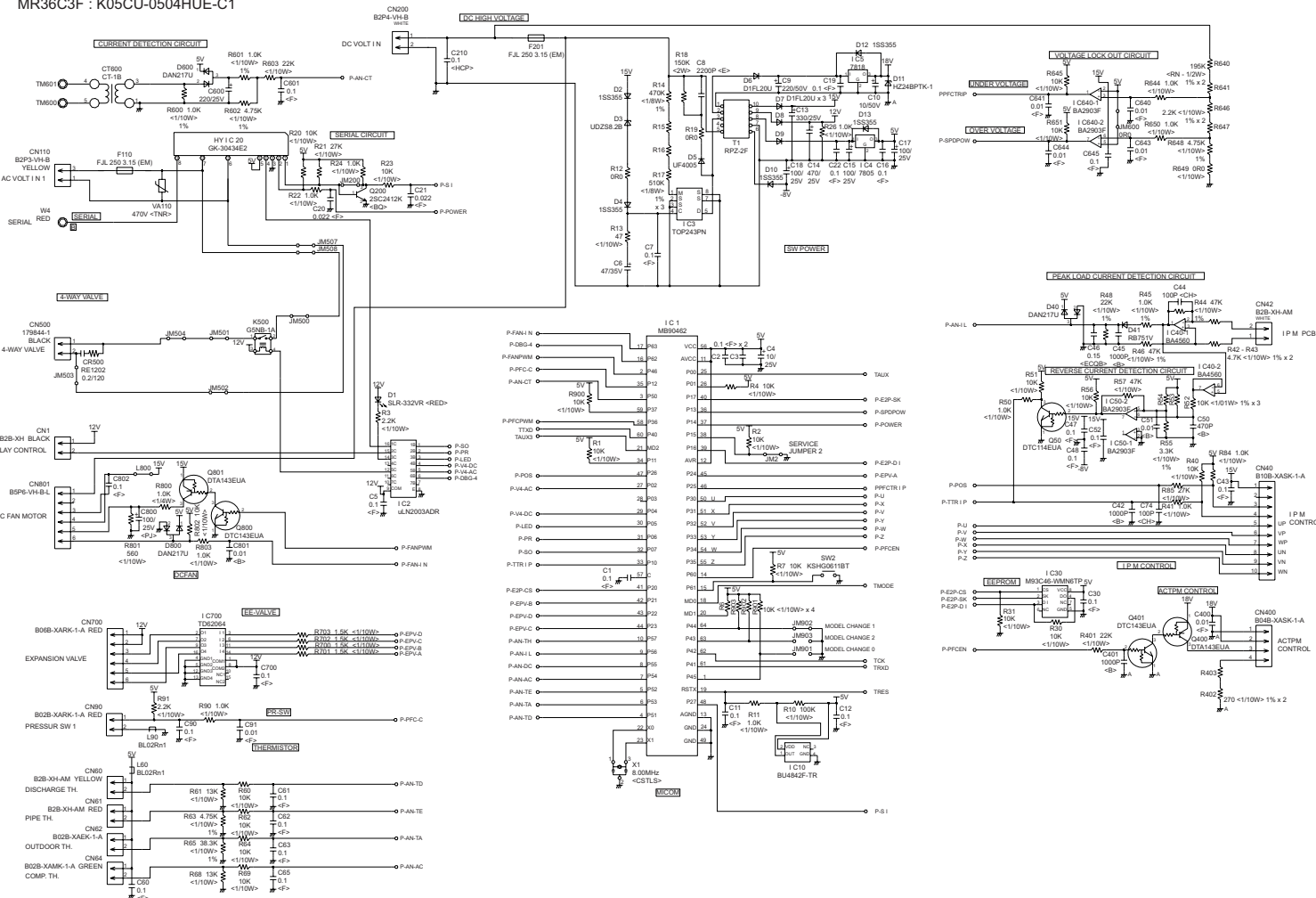


OUTDOOR PCB CIRCUIT DIAGRAM

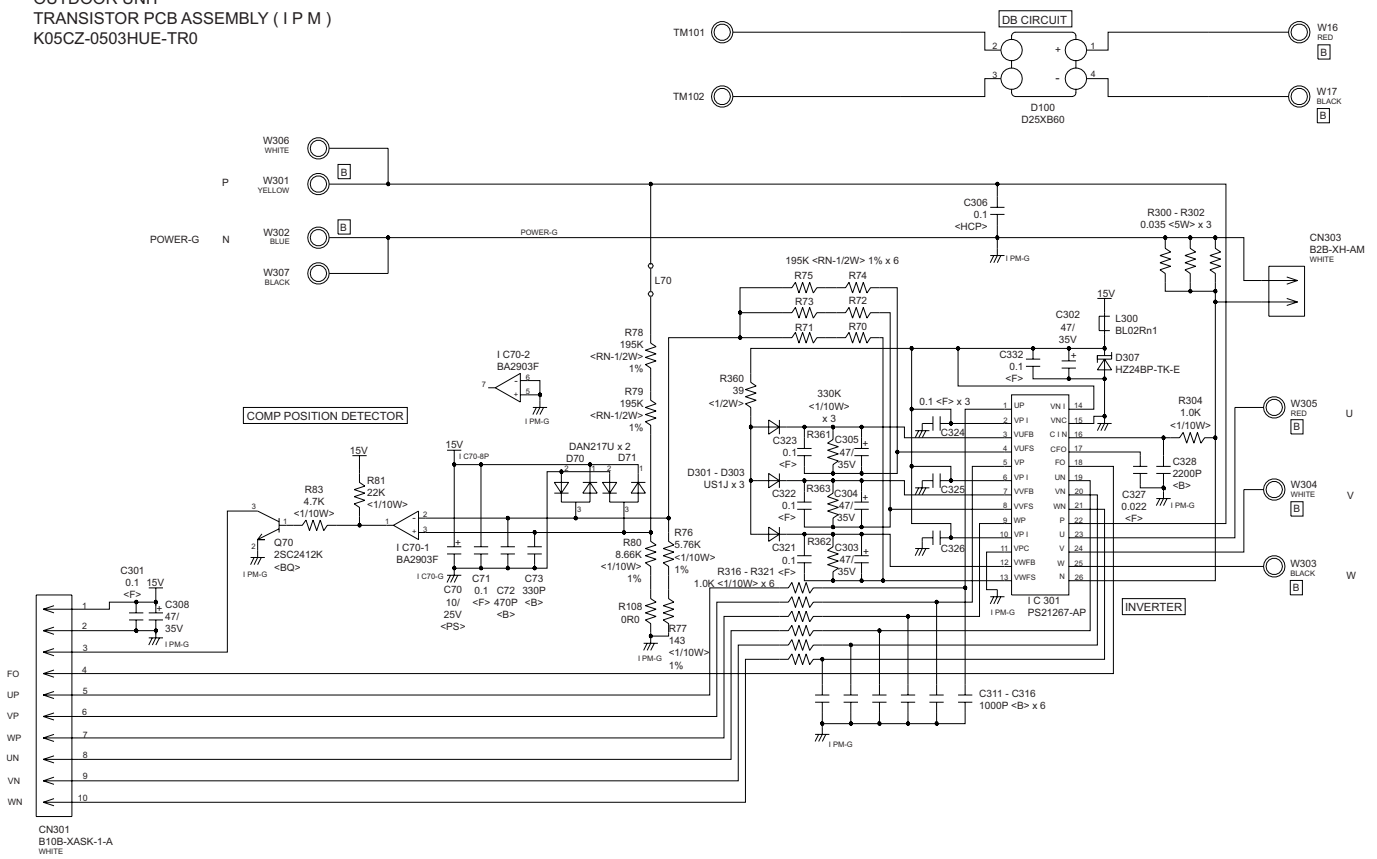
INVERTER ASSEMBLY
 MR30C3F : EZ-00502HUE
 MR36C3F : EZ-00503HUE



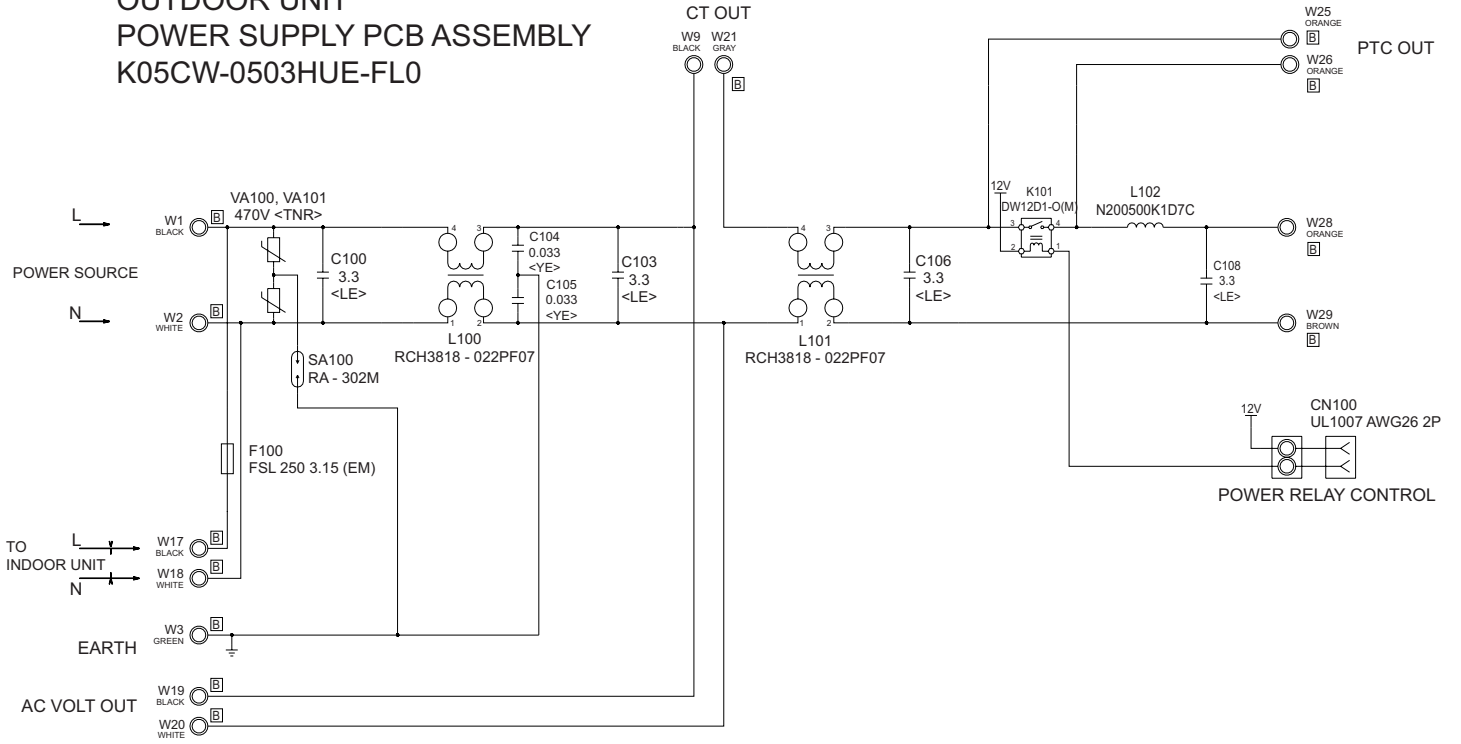
OUTDOOR UNIT
 CONTROLLER PCB ASSEMBLY (MAIN PCB)
 MR30C3F : K05CU-0503HUE-C1
 MR36C3F : K05CU-0504HUE-C1



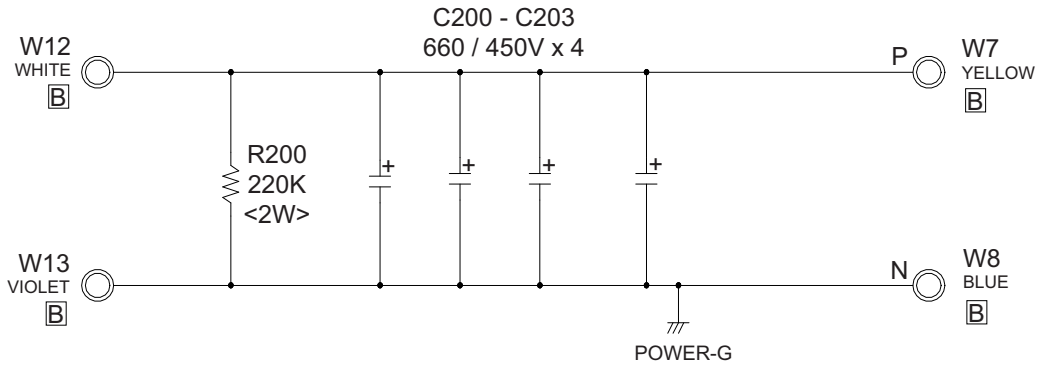
OUTDOOR UNIT
 TRANSISTOR PCB ASSEMBLY (I P M)
 K05CZ-0503HUE-TR0



**OUTDOOR UNIT
POWER SUPPLY PCB ASSEMBLY
K05CW-0503HUE-FL0**



**OUTDOOR UNIT
CONDENSOR PCB ASSEMBLY
K05FB-0500HUE-P0**

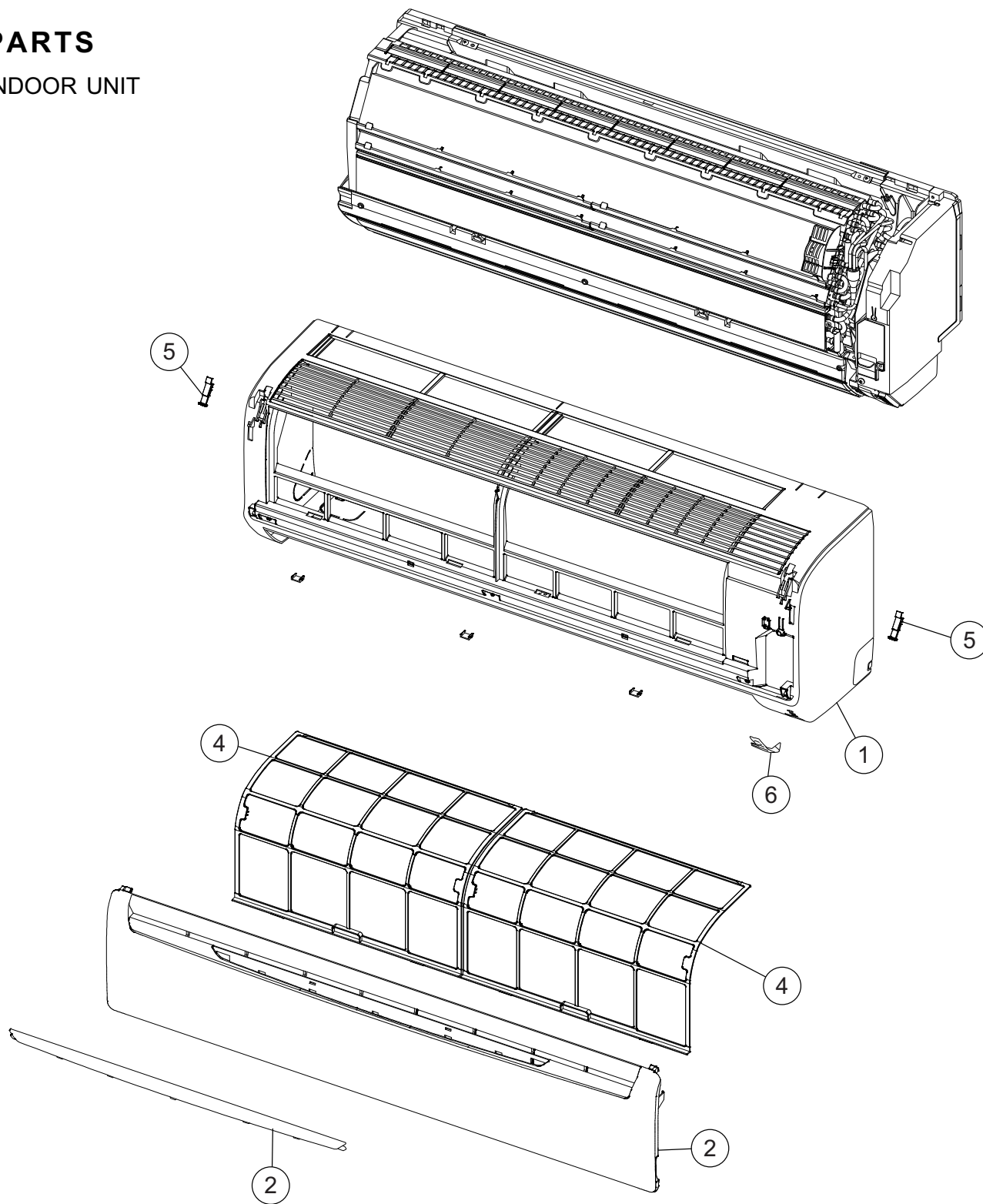


ERROR CONTENTS

Error	Display		Error
	Operation LED	Timer LED	
Serial signal error	Normal	2 flash	Serial signal (reverse) error, at operation start up
		3 flash	Serial signal (reverse) error, during operation
		4 flash	Serial signal (forward) error, at operation start up
		5 flash	Serial signal (forward) error, during operation
		8 flash	Wired remote controller error
Indoor unit thermistor error	2 flash	2 flash	Indoor temperature thermistor open / short
		3 flash	Heat exchanger middle thermistor open / short
Outdoor unit thermistor error	3 flash	2 flash	Discharge thermistor open / short
		3 flash	Heat exchanger thermistor open
		4 flash	Outdoor temperature thermistor open / short
		8 flash	Compressor temperature thermistor open / short
Indoor unit control error	4 flash	2 flash	Forced automatic SW welded
		3 flash	Main relay welded
		4 flash	Power interruption error
		7 flash	VDD permanent stop protection
		8 flash	reverse VDD permanent stop protection
Outdoor unit control error	5 flash	2 flash	Current trip error
		3 flash	CT abnormal
		5 flash	Compressor location detection error
		6 flash	Outdoor unit fan drive system abnormal
Indoor fan motor error	6 flash	2 flash	Abnormal lock
		3 flash	Abnormal rotation
Refrigerant cycle error	7 flash	2 flash	Discharge Temperature abnormal
		3 flash	Cooling high pressure abnormal rise
		5 flash	Pressure switch trouble
Optional function error	8 flash	2 flash	Active filter voltage trouble (second time)
		3 flash	Active filter voltage trouble (first time)
		4 flash	PFC circuit error
Model information error	0.1 sec on/off	0.1 sec on/off	Model information error

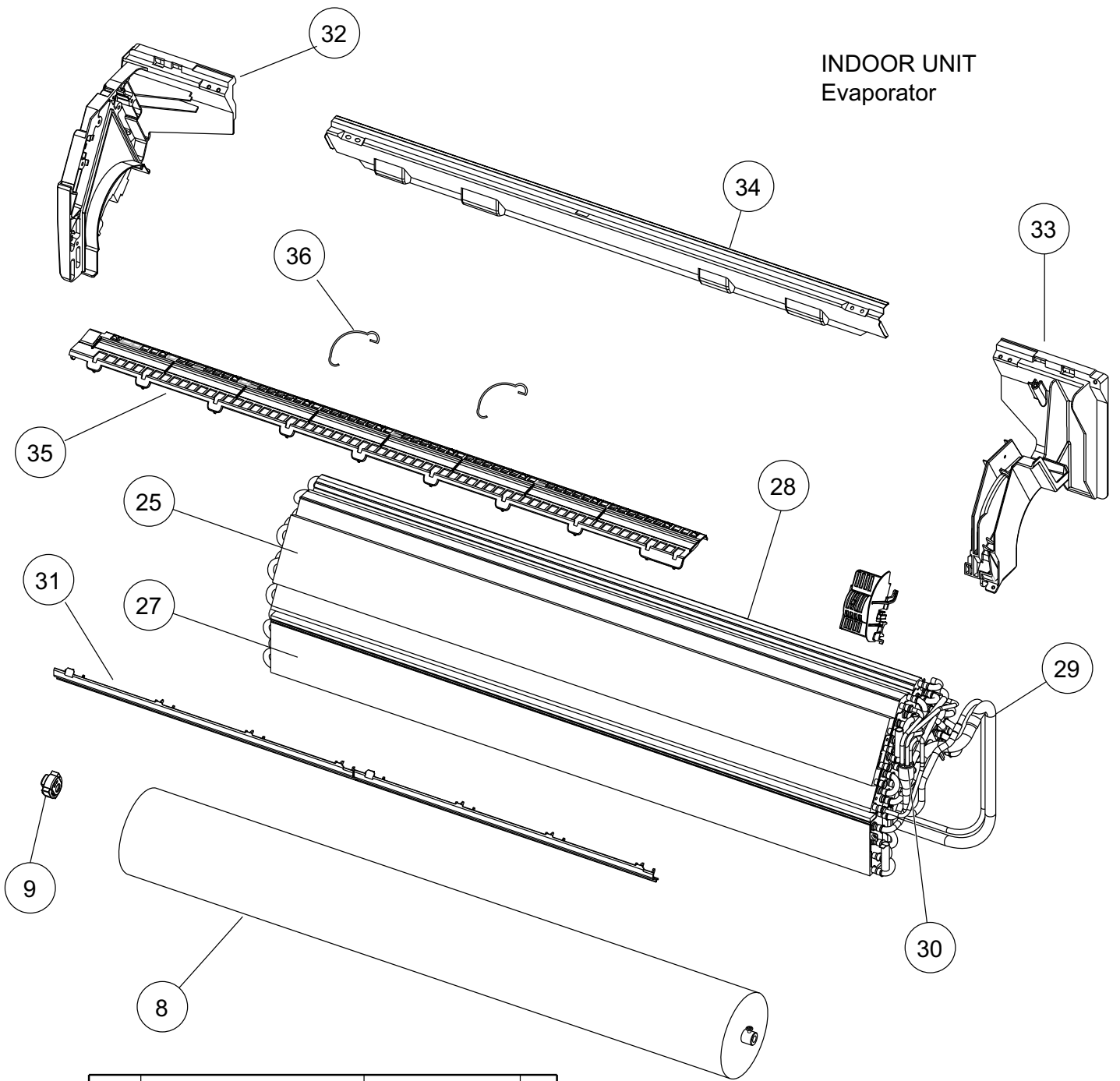
PARTS

INDOOR UNIT

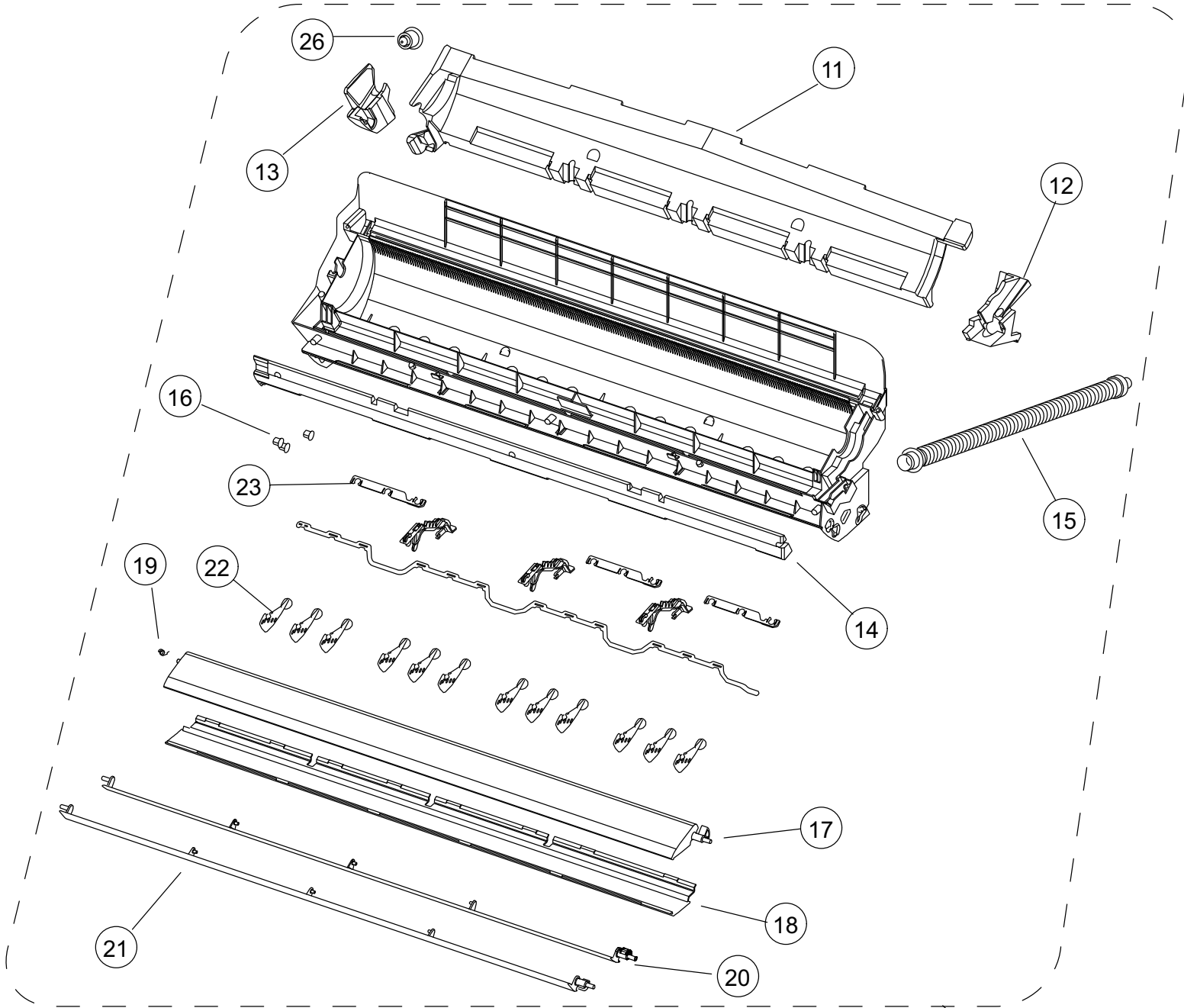


Ref.	Description	Part number
1	Front Panel Total Assy	9315335081
2	Intake Grille Assy	9315336064
4	Air Filter	9315014016
5	Clamper (Grille)	9306755010
6	Receiver Window	9315010018

INDOOR UNIT
Evaporator



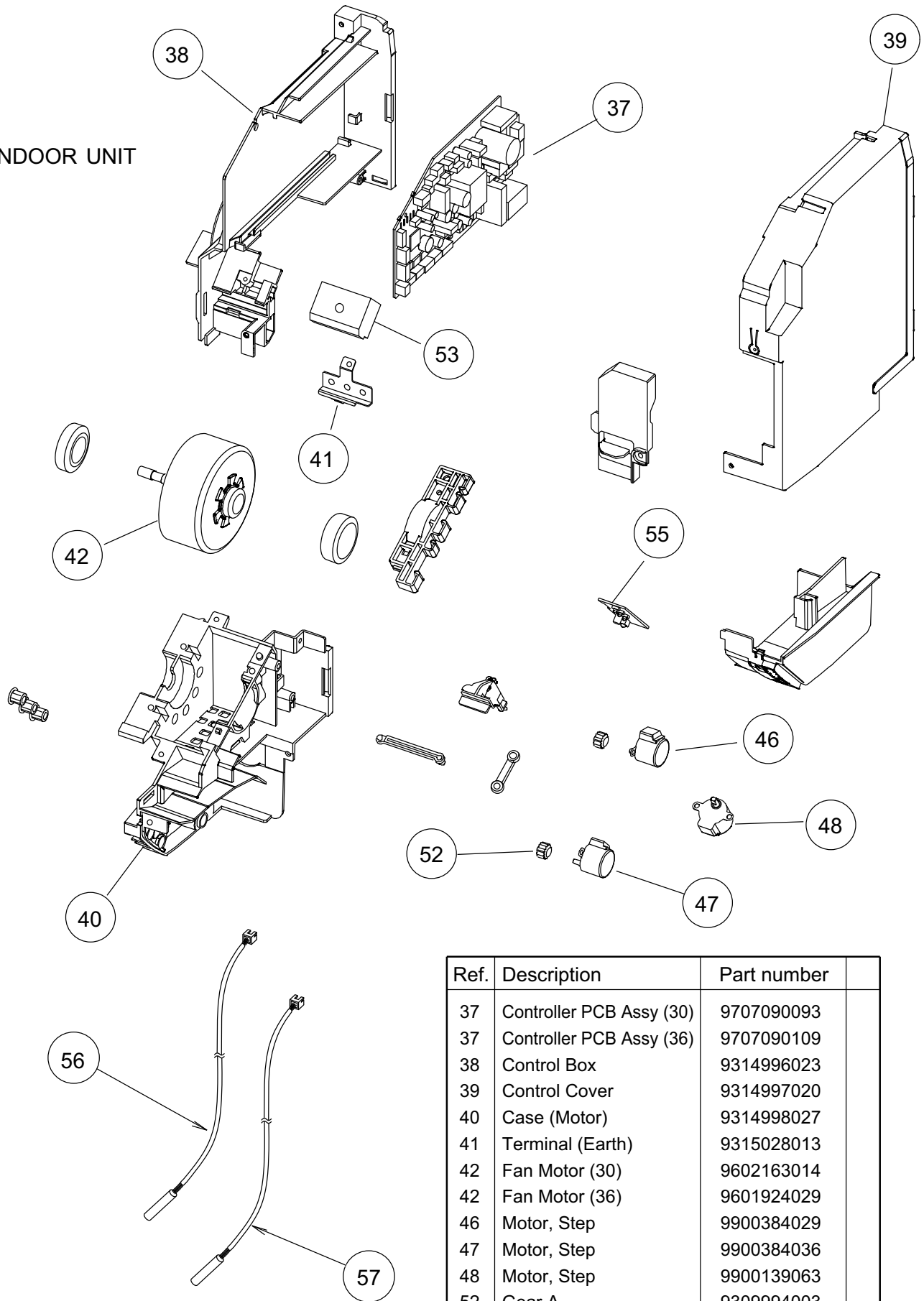
Ref.	Description	Part number
8	Crossflow Fan Assy	9315024015
9	Bearing C Assy	9306628017
25	Evaporator Assy C	9315789013
27	Evaporator Assy A	9315348012
28	Evaporator Assy B	9315349019
29	Connection Pipe Assy	9315355010
30	Distributor Assy	9316988002
31	Water Seal	9315251015
32	Evaporator Holder R	9314994012
33	Evaporator Holder L	9314995019
34	Rear Bracket	9315022011
35	Filter Guide	9315013019
36	Filter Guard	9315411013



**INDOOR UNIT
Casing assy**

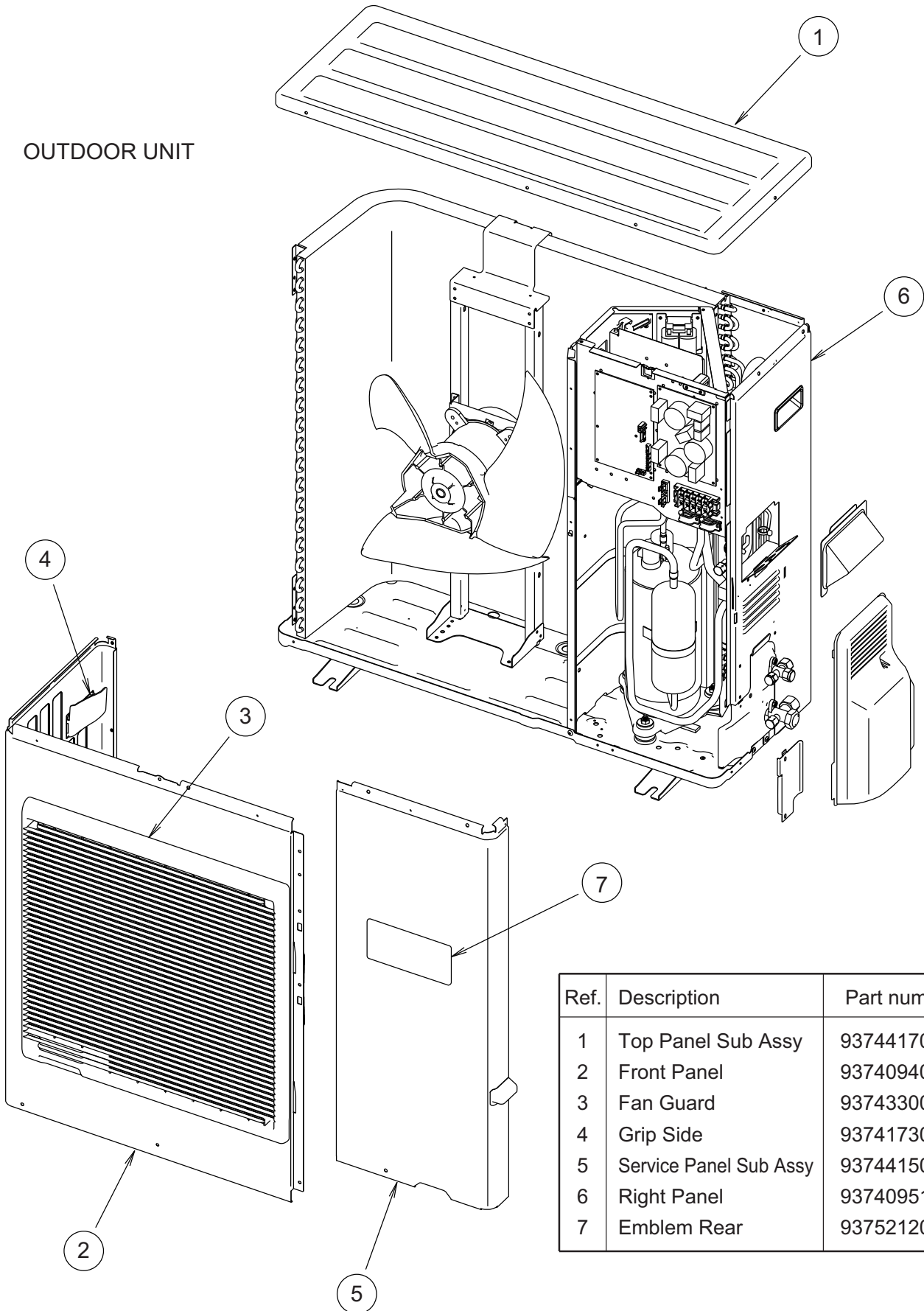
Ref.	Description	Part number
10	Casing Assy	9315331021
11	Casing Cover B	9315016010
12	Casing Cover R	9315018014
13	Casing Cover L	9315017017
14	Casing Cover F	9315019011
15	Drain Hose Assy	9315769015
16	Bush B	9312156016
17	Diffuser U	9315002013
18	Diffuser Z	9315003010
19	Spring C	9314142017
20	Louver U	9315000019
21	Louver Z	9315001016
22	R and L Louver	9311997016
23	Spacer B	9312441013
26	Drain Cap	9367677009

INDOOR UNIT



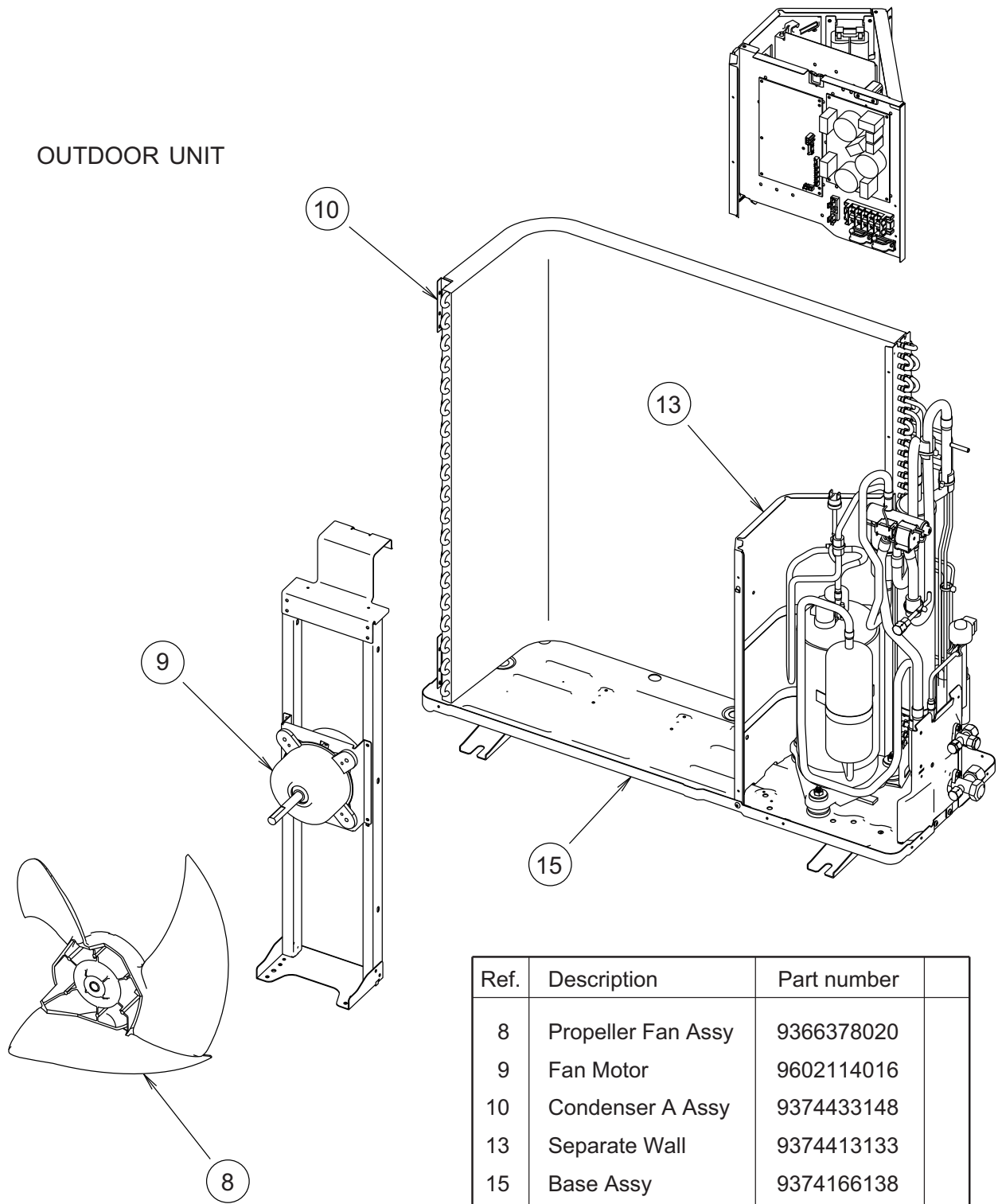
Ref.	Description	Part number
37	Controller PCB Assy (30)	9707090093
37	Controller PCB Assy (36)	9707090109
38	Control Box	9314996023
39	Control Cover	9314997020
40	Case (Motor)	9314998027
41	Terminal (Earth)	9315028013
42	Fan Motor (30)	9602163014
42	Fan Motor (36)	9601924029
46	Motor, Step	9900384029
47	Motor, Step	9900384036
48	Motor, Step	9900139063
52	Gear A	9309994003
53	Terminal	9900385019
55	Indicator PCB Assy	9707210019
56	Pipe Thermistor	9900389017
57	Room Thermistor	9700801108

OUTDOOR UNIT



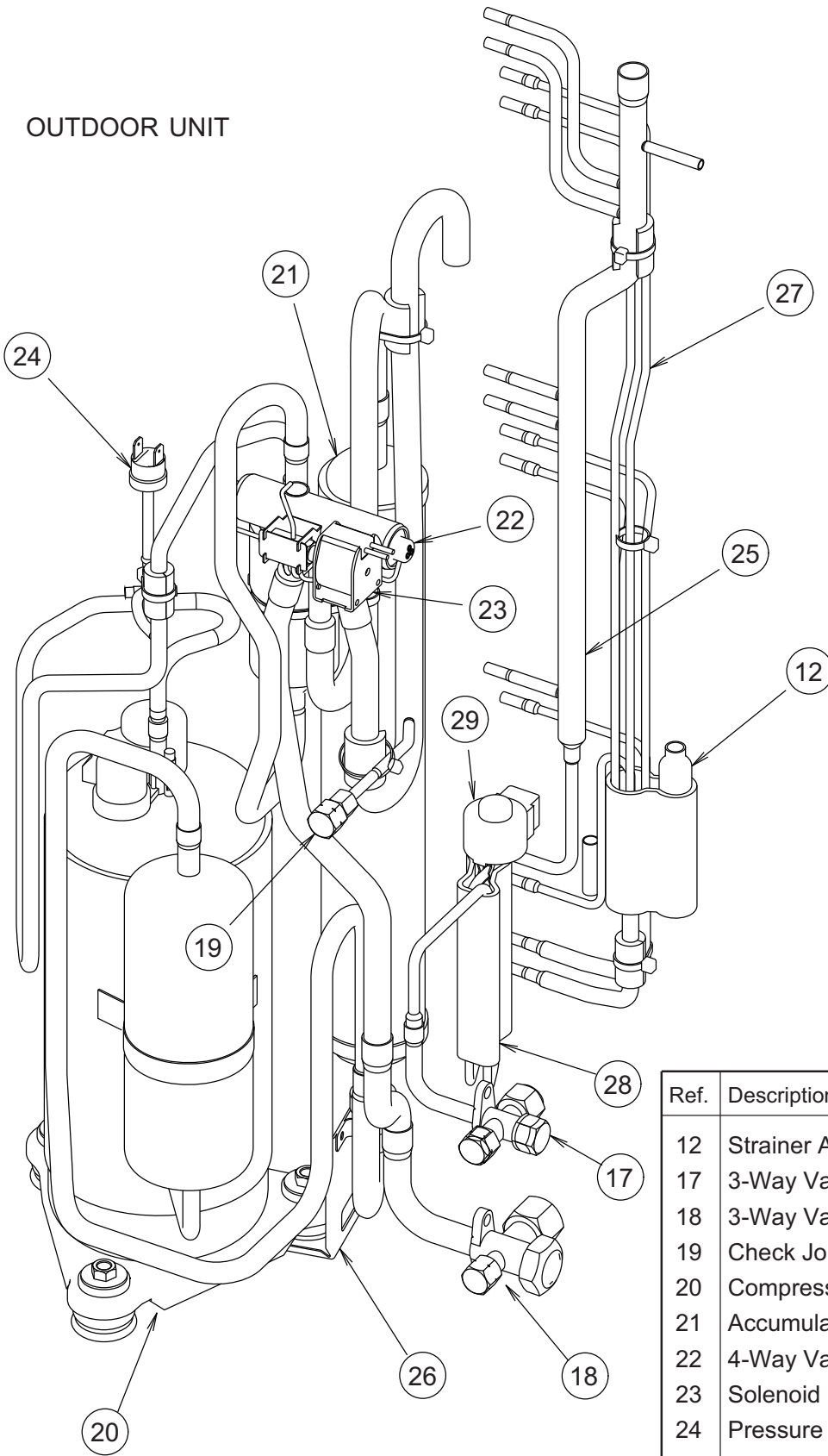
Ref.	Description	Part number
1	Top Panel Sub Assy	9374417032
2	Front Panel	9374094066
3	Fan Guard	9374330010
4	Grip Side	9374173013
5	Service Panel Sub Assy	9374415052
6	Right Panel	9374095148
7	Emblem Rear	9375212025

OUTDOOR UNIT



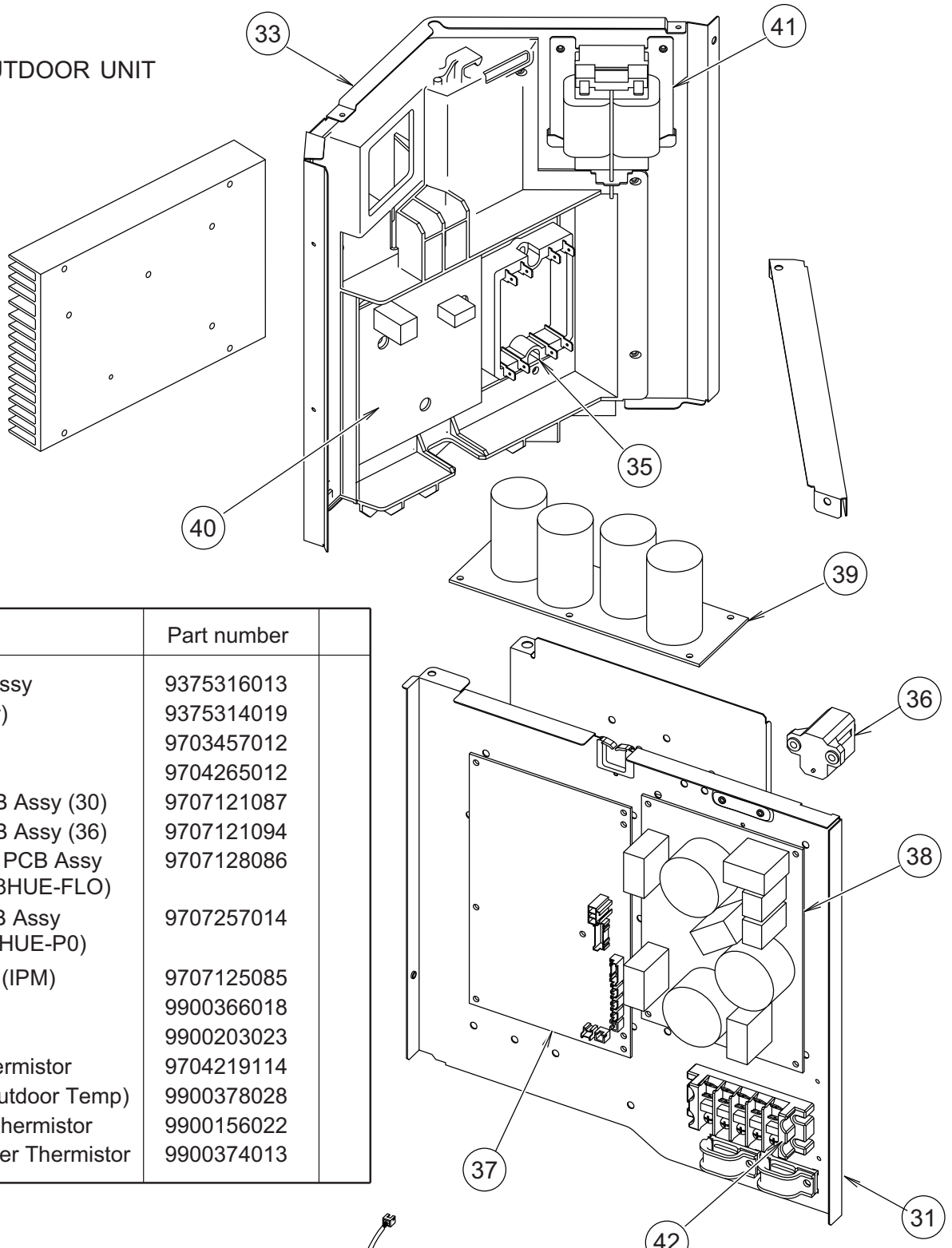
Ref.	Description	Part number
8	Propeller Fan Assy	9366378020
9	Fan Motor	9602114016
10	Condenser A Assy	9374433148
13	Separate Wall	9374413133
15	Base Assy	9374166138

OUTDOOR UNIT



Ref.	Description	Part number
12	Strainer Assy	9372524015
17	3-Way Valve Assy	9372205044
18	3-Way Valve Assy	9372205075
19	Check Joint Assy	9372802038
20	Compressor Assy	9372558126
21	Accumulator	9385005006
22	4-Way Valve	9900164010
23	Solenoid	9900165079
24	Pressure Switch	9900186012
25	Inlet Pipe (Cond) A Assy	9373461067
26	Accumulator Support Assy	313986353804
27	Outlet Pipe (Cond) A Assy	9374266104
28	Expansion Valve Assy	9370947144
29	Expansion Valve Coil	9900057039

OUTDOOR UNIT



Ref.	Description	Part number
31	Case (PCB) Assy	9375316013
33	Case (Inverter)	9375314019
35	ACTPM	9703457012
36	Thermistor	9704265012
37	Controller PCB Assy (30)	9707121087
37	Controller PCB Assy (36)	9707121094
38	Power Supply PCB Assy (K05CW-0503HUE-FLO)	9707128086
39	Capacitor PCB Assy (K05FB-0500HUE-P0)	9707257014
40	TR PCB Assy (IPM)	9707125085
41	Choke Coil	9900366018
42	Terminal	9900203023
45	Discharge Thermistor	9704219114
46	Thermistor (Outdoor Temp)	9900378028
47	Compressor Thermistor	9900156022
48	Heat Exchanger Thermistor	9900374013

DISCHARGE TEMP THERMISTOR
CONNECTOR : ORANGE

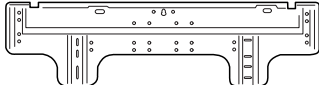

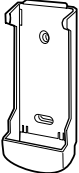

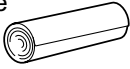


OUTDOOR TEMP THERMISTOR
CONNECTOR : BLUE

COMPRESSOR TEMP THERMISTOR
CONNECTOR : GREEN

HEAT EXCHANGER THERMISTOR
CONNECTOR : RED

PRESSURE SWITCH WIRE
CONNECTOR : RED

STANDARD ACCESSORIES

Name and Shape	Part number
Wall hook bracket 	9315023018
Remote control 	9315027160
Remote control holder 	9305642045
Battery (penlight) 	0600185534
Cloth tape 	9310519004
Tapping screw (big) 	0700076046
Tapping screw (small) 	0700019036

0602G3030