

# Washer-Extractors

Cabinet Freestanding



— Installation/Operation Supplement —

**Keep These Instructions for Future Reference.**

(If this machine changes ownership, this manual must accompany machine.)



[www.comlaundry.com](http://www.comlaundry.com)

Part No. 9001014R5  
July 2008



# Table of Contents

- Introduction**..... 2
- Model Identification ..... 2
- Safety Information**..... 3
- Explanation of Safety Messages..... 3
- Important Safety Instructions ..... 3
- Safety Decals ..... 5
- Operator Safety ..... 6
- Specifications and Dimensions**..... 7
- Installation**..... 21
- Dimensional Clearances..... 21
- Machine Foundation ..... 22
- Mechanical Installation..... 23
- Frame Dimensions and Mounting Bolt Location for 18, 25,  
    35, 55, 75, 100, 135 and 165 Models ..... 23
- Mounting Bolt Installation (If Required)..... 25
- Electrical Specifications ..... 26
- Operation**..... 27
- Control Identification..... 27
- Load the Machine ..... 28
- Disposal of Unit**..... 29

© Copyright 2008, Alliance Laundry Systems LLC  
 All rights reserved. No part of the contents of this book may be reproduced or transmitted in any form or by any means without the expressed written consent of the publisher.

# Introduction

## Model Identification


Information in this manual is applicable to these models:


HX18PV	HX75PV	SX18PV	SX75PV	UX18PV	UX75PV
HX25PV	HX100PV	SX25PV	SX100PV	UX25PV	UX100PV
HX35PV	HX135PV	SX35PV	SX135PV	UX35PV	UX135PV
HX55PV	HX165PV	SX55PV	SX165PV	UX55PV	UX165PV


# Safety Information

## Explanation of Safety Messages

Precautionary statements (“DANGER,” “WARNING,” and “CAUTION”), followed by specific instructions, are found in this manual and on machine decals. These precautions are intended for the personal safety of the operator, user, servicer, and those maintaining the machine.

	<b>DANGER</b>
<p><b>DANGER indicates the presence of a hazard that will cause severe personal injury, death, or substantial property damage if the danger is ignored.</b></p>	

	<b>WARNING</b>
<p><b>WARNING indicates the presence of a hazard that can cause severe personal injury, death, or substantial property damage if the warning is ignored.</b></p>	


	<b>CAUTION</b>
<p><b>CAUTION indicates the presence of a hazard that will or can cause minor personal injury or property damage if the caution is ignored.</b></p>	

Additional precautionary statements (“IMPORTANT” and “NOTE”) are followed by specific instructions.

**IMPORTANT:** The word “IMPORTANT” is used to inform the reader of specific procedures where minor machine damage will occur if the procedure is not followed.

**NOTE:** The word “NOTE” is used to communicate installation, operation, maintenance or servicing information that is important but not hazard related.

## Important Safety Instructions

	<b>WARNING</b>
<p><b>To reduce the risk of fire, electric shock, serious injury or death to persons when using your washer, follow these basic precautions:</b></p>	
W023	


1. Read all instructions before using the washer.
2. Refer to the GROUNDING INSTRUCTIONS in the INSTALLATION manual for the proper grounding of the washer.
3. Do not wash textiles that have been previously cleaned in, washed in, soaked in, or spotted with gasoline, kerosene, waxes, cooking oils, dry-cleaning solvents, or other flammable or explosive substances as they give off vapors that could ignite or explode.
4. Do not add gasoline, dry-cleaning solvents, or other flammable or explosive substances to the wash water. These substances give off vapors that could ignite or explode.
5. Under certain conditions, hydrogen gas may be produced in a hot water system that has not been used for two weeks or more. HYDROGEN GAS IS EXPLOSIVE. If the hot water system has not been used for such a period, before using a washing machine or combination washer-dryer, turn on all hot water faucets and let the water flow from each for several minutes. This will release any accumulated hydrogen gas. The gas is flammable, do not smoke or use an open flame during this time.
6. Do not allow children to play on or in the washer. Close supervision of children is necessary when the washer is used near children. This is a safety rule for all appliances.
7. Before the washer is removed from service or discarded, remove the door to the washing compartment.
8. Do not reach into the washer if the wash drum is moving.

## Installation/Operation Supplement


9. Do not install or store the washer where it will be exposed to water and/or weather.
10. Do not tamper with the controls.
11. Do not repair or replace any part of the washer, or attempt any servicing unless specifically recommended in the user-maintenance instructions or in published user-repair instructions that the user understands and has the skills to carry out.
12. To reduce the risk of an electric shock or fire, DO NOT use an extension cord or an adapter to connect the washer to the electrical power source.
13. Use washer only for its intended purpose, washing textiles.
14. Never wash machine parts or automotive parts in the machine. This could result in serious damage to the basket.
15. ALWAYS disconnect the washer from electrical supply before attempting any service. Disconnect the power cord by grasping the plug, not the cord.
16. Install the washer according to the INSTALLATION INSTRUCTIONS. All connections for water, drain, electrical power and grounding must comply with local codes and be made by licensed personnel when required.
17. To reduce the risk of fire, textiles which have traces of any flammable substances such as vegetable oil, cooking oil, machine oil, flammable chemicals, thinner, etc., or anything containing wax or chemicals such as in mops and cleaning cloths, must not be put into the washer. These flammable substances may cause the fabric to catch on fire by itself.
18. Do not use fabric softeners or products to eliminate static unless recommended by the manufacturer of the fabric softener or product.
19. Keep washer in good condition. Bumping or dropping the washer can damage safety features. If this occurs, have washer checked by a qualified service person.
20. If the supply cord is damaged, it must be replaced by a special cord or assembly available from the manufacturer or its service agent.
21. Be sure water connections have a shut-off valve and that fill hose connections are tight. CLOSE the shut-off valves at the end of each wash day.
22. Loading door MUST BE CLOSED any time the washer is to fill, tumble or spin. DO NOT bypass the loading door switch by permitting the washer to operate with the loading door open.
23. Always read and follow manufacturer's instructions on packages of laundry and cleaning aids. Heed all warnings or precautions. To reduce the risk of poisoning or chemical burns, keep them out of the reach of children at all times (preferably in a locked cabinet).
24. Always follow the fabric care instructions supplied by the textile manufacturer.
25. Never operate the washer with any guards and/or panels removed.
26. DO NOT operate the washer with missing or broken parts.
27. DO NOT bypass any safety devices.
28. Failure to install, maintain, and/or operate this washer according to the manufacturer's instructions may result in conditions which can produce bodily injury and/or property damage.


**NOTE: The WARNINGS and IMPORTANT SAFETY INSTRUCTIONS appearing in this manual are not meant to cover all possible conditions and situations that may occur. Common sense, caution and care must be exercised when installing, maintaining, or operating the washer.**


Any problems or conditions not understood should be reported to the dealer, distributor, service agent or the manufacturer.

	<b>WARNING</b>
<p>This machine must be installed, adjusted, and serviced by qualified electrical maintenance personnel familiar with the construction and operation of this type of machinery. They must also be familiar with the potential hazards involved. Failure to observe this warning may result in personal injury and/or equipment damage, and may void the warranty.</p>	
SW004	

**IMPORTANT:** Ensure that the recommended clearances for inspection and maintenance are provided. Never allow the inspection and maintenance space to be blocked.

	<b>WARNING</b>
<p>Install the machine on a level floor of sufficient strength. Failure to do so may result in conditions which can produce serious injury, death and/or property damage.</p>	
W703	

	<b>CAUTION</b>
<p>Be careful around the open door, particularly when loading from a level below the door. Impact with door edges can cause personal injury.</p>	
SW025	

	<b>WARNING</b>
<p>Never touch internal or external steam pipes, connections, or components. These surfaces can be extremely hot and will cause severe burns. The steam must be turned off and the pipe, connections, and components allowed to cool before the pipe can be touched.</p>	
SW014	

## Safety Decals

Safety decals appear at crucial locations on the machine. Failure to maintain legible safety decals could result in injury to the operator or service technician.

To provide personal safety and keep the machine in proper working order, follow all maintenance and safety procedures presented in this manual. If questions regarding safety arise, contact the manufacturer immediately.

Use manufacturer-authorized spare parts to avoid safety hazards.


## Operator Safety

	<b>WARNING</b>
<b>NEVER insert hands or objects into basket until it has completely stopped. Doing so could result in serious injury.</b>	
<small>SW012</small>	

To ensure the safety of machine operators, the following maintenance checks must be performed daily:

1. Prior to operating the machine, verify that all warning signs are present and legible. Missing or illegible signs must be replaced immediately. Make certain that spares are available.
2. Check door interlock before starting operation of the machine:
  - a. Attempt to start the machine with the door open. The machine should not start with the door open.
  - b. Close the door without locking it and attempt to start the machine. The machine should not start with the door unlocked.
  - c. Close and lock the door and start a cycle. Attempt to open the door while the cycle is in progress. The door should not open.If the door lock and interlock are not functioning properly, call a service technician.
3. Do not attempt to operate the machine if any of the following conditions are present:
  - a. The door does not remain securely locked during the entire cycle.
  - b. Excessively high water level is evident.
  - c. Machine is not connected to a properly grounded circuit.

Do not bypass any safety devices in the machine.

	<b>WARNING</b>
<b>Never operate the machine with a bypassed or disconnected balance system. Operating the machine with severe out-of-balance loads could result in personal injury and serious equipment damage.</b>	
<small>SW039</small>	



# Specifications and Dimensions

General Specifications				
Model		18	25	35
<b>Overall Dimensions</b>				
Overall width		660 mm (26 in.)	660 mm (26 in.)	783 mm (30.8 in.)
Overall height		1031 mm (40.6 in.)	1031 mm (40.6 in.)	1194 mm (47 in.)
Overall depth		780 mm (30.7 in.)	870 mm (34.3 in.)	960 mm (37.8 in.)
<b>Weight and Shipping Information</b>				
Net weight		236 kg (520 lb.)	241 kg (531 lb.)	347 kg (765 lb.)
Shipping weight		283 kg (624 lb.)	290 kg (639.5 lb.)	467 kg (1030 lb.)
Shipping volume		0.8 m <sup>3</sup> (22.5 ft <sup>3</sup> )	0.9 m <sup>3</sup> (24.5 ft <sup>3</sup> )	1.3 m <sup>3</sup> (34.7 ft <sup>3</sup> )
<b>Wash Cylinder Information</b>				
Cylinder diameter		530 mm (20.9 in.)	530 mm (20.9 in.)	650 mm (25.6 in.)
Cylinder depth		345 mm (13.6 in.)	440 mm (17.3 in.)	500 mm (19.7 in.)
Cylinder volume		76 l (2.7 ft <sup>3</sup> )	97 l (3.43 ft <sup>3</sup> )	167 l (5.9 ft <sup>3</sup> )
Perforation size		3 mm (0.1 in.)	3 mm (0.1 in.)	3 mm (0.1 in.)
<b>Door Opening Information</b>				
Door opening size		300 mm (11.8 in.)	300 mm (11.8 in.)	300 mm (11.8 in.)
Height of door bottom above floor		279 mm (11 in.)	279 mm (11 in.)	395 mm (15.6 in.)
<b>Water Consumption</b>				
Average water consumption per cycle	HOT	90 l (24 gal.)	110 l (29 gal.)	178 l (47 gal.)
	COLD	42 l (11 gal.)	49 l (13 gal.)	79 l (21 gal.)
<b>Power Consumption</b>				
Average power used per cycle	Motor	0.15 kW/hr	0.15 kW/hr	0.2 kW/hr
	Heating	1.5 kW/hr	2.25 kW/hr	3.75 kW/hr

**Installation/Operation Supplement**

<b>General Specifications</b>					
<b>Model</b>		<b>18</b>	<b>25</b>	<b>35</b>	
<b>Drive Train Information</b>					
Number of motors in drive train		1	1	1	
Drive motor power		0.75 kW (1 hp)	0.75 kW (1 hp)	1.5 kW (2 hp)	
<b>Cylinder Speeds</b>					
Wash/reverse speed		10-50 rpm	10-50 rpm	10-50 rpm	
Distribution/drain speed		82 rpm	82 rpm	74 rpm	
Extract speed		250-1000 rpm	250-1000 rpm	250-1000 rpm	
<b>Centrifugal Force Data</b>					
Wash/reverse centrifugal force		0.03-0.74 Gs	0.03-0.74 Gs	0.04-0.91 Gs	
Extract centrifugal force		19-296 Gs	19-296 Gs	23-363 Gs	
<b>Balance Detection</b>					
Vibration safety switch installed		Standard	Standard	Standard	
<b>Direct Steam Heating (Optional)</b>					
Steam inlet connection size		10 mm (0.38 in.)	10 mm (0.38 in.)	10 mm (0.38 in.)	
Number of steam inlets		1	1	1	
Steam required to raise bath temperature 10°C, kg (10°F, lb.)	LOW	0.83 kg (1.15 lb.)	1.15 kg (1.6 lb.)	1.6 kg (2.22 lb.)	
	HIGH	0.94 kg (1.3 lb.)	1.3 kg (1.8 lb.)	1.8 kg (2.52 lb.)	
Average steam use per cycle		7.6 kg (0.48 bhp)	9.5 kg (0.60 bhp)	16.5 kg (1.05 bhp)	
<b>Electrical Heating (Optional)</b>					
Total electrical heating capacity		9 kW	9 kW	18 kW	
Electrical heating elements		3	3	6	
Electrical heat element size		3 kW	3 kW	3 kW	
Time required to raise bath temperature	LOW	10°C	3 minutes	5 minutes	5 minutes
		50°F	6 minutes	8 minutes	8 minutes
	MED	10°C	4 minutes	6 minutes	6 minutes
		50°F	7 minutes	9 minutes	9 minutes

General Specifications						
Model	55	75	100	135	165	
<b>Overall Dimensions</b>						
Overall width	900 mm (35.4 in.)	1060 mm (41.8 in.)	1200 mm (47.3 in.)	1200 mm (47.3 in.)	1300 mm (51.8 in.)	
Overall height	1544 mm (60.8 in.)	1560 mm (61.4 in.)	1920 mm (75.6 in.)	1920 mm (75.6 in.)	2100 mm (82.7 in.)	
Overall depth	1016 mm (40 in.)	1168 mm (46 in.)	1330 mm (52.4 in.)	1500 mm (59.1 in.)	1620 mm (63.8 in.)	
<b>Weight and Shipping Information</b>						
Net weight	570 kg (1247 lb.)	865 kg (1907 lb.)	1520 kg (3351 lb.)	1645 kg (3626 lb.)	2100 kg (4630 lb.)	
Shipping weight	630 kg (1380 lb.)	995 kg (2194 lb.)	1697 kg (3741 lb.)	1822 kg (4017 lb.)	2319 kg (5113 lb.)	
Shipping volume	1.5 m <sup>3</sup> (54.9 ft <sup>3</sup> )	2.1 m <sup>3</sup> (74 ft <sup>3</sup> )	3.3 m <sup>3</sup> (115 ft <sup>3</sup> )	3.7 m <sup>3</sup> (131 ft <sup>3</sup> )	4.4 m <sup>3</sup> (162 ft <sup>3</sup> )	
<b>Wash Cylinder Information</b>						
Cylinder diameter	750 mm (29.5 in.)	850 mm (33.5 in.)	980 mm (38.6 in.)	980 mm (38.6 in.)	1095 mm (43.1 in.)	
Cylinder depth	530 mm (20.9 in.)	537 mm (21.1 in.)	597 mm (23.5 in.)	775 mm (30.5 in.)	775 mm (30.5 in.)	
Cylinder volume	234 l (8.27 ft <sup>3</sup> )	305 l (10.76 ft <sup>3</sup> )	451 l (15.92 ft <sup>3</sup> )	585 l (20.66 ft <sup>3</sup> )	730 l (25.8 ft <sup>3</sup> )	
Perforation size	3 mm (0.1 in.)	3 mm (0.1 in.)	3 mm (0.1 in.)	3 mm (0.1 in.)	3 mm (0.1 in.)	
<b>Door Opening Information</b>						
Door opening size	395 mm (15.6 in.)	395 mm (15.6 in.)	500 mm (19.7 in.)	500 mm (19.7 in.)	622 mm (24.5 in.)	
Height of door bottom above floor	559 mm (22 in.)	559 mm (22 in.)	648 mm (25.5 in.)	648 mm (25.5 in.)	710 mm (28 in.)	
<b>Water Consumption</b>						
Average water consumption per cycle	HOT	216 l (57 gal.)	326 l (86 gal.)	401 l (106 gal.)	591 l (156 gal.)	719 l (190 gal.)
	COLD	98 l (26 gal.)	136 l (36 gal.)	178 l (47 gal.)	265 l (70 gal.)	322 l (85 gal.)

**Installation/Operation Supplement**

<b>General Specifications</b>						
<b>Model</b>		<b>55</b>	<b>75</b>	<b>100</b>	<b>135</b>	<b>165</b>
<b>Power Consumption</b>						
Average power used per cycle	Motor	0.75 kW/hr	0.95 kW/hr	1.1 kW/hr	1.3 kW/hr	1.6 kW/hr
	Heat	3.75 kW/hr	4.5 kW/hr	5.22 kW/hr	6.5 kW/hr	N/A
<b>Drive Train Information</b>						
Number of motors in drive train		1	1	1	1	1
Drive motor power		4 kW (5.4 hp)	4 kW (5.4 hp)	5.5 kW (7.4 hp)	7.5 kW (10 hp)	11.5 kW (15 hp)
<b>Cylinder Speeds</b>						
Wash/reverse speed		10-50	10-50	10-50	10-50	10-50
Distribution/drain speed		69 rpm	65 rpm	61 rpm	61 rpm	100 rpm
Extract speed		250-1000 rpm	250-1000 rpm	250-800 rpm	250-800 rpm	250-750 rpm
<b>Centrifugal Force Data</b>						
Wash/reverse centrifugal force		0.04-1.05 Gs	0.05-1.19 Gs	0.06-1.37 Gs	0.06-1.37 Gs	0.06-1.52 Gs
Extract centrifugal force		26-418 Gs	30-475 Gs	34-350 Gs	34-350 Gs	34-344 Gs
<b>Balance Detection</b>						
Vibration safety switch installed		Standard	Standard	Standard	Standard	Standard
<b>Direct Steam Heating (Optional)</b>						
Steam inlet connection size		10 mm (0.38 in.)	10 mm (0.38 in.)	10 mm (0.38 in.)	10 mm (0.38 in.)	19 mm (0.75 in.)
Number of steam inlets		1	1	1	1	1
Steam required to raise bath temperature 10°C, kg (10°F, lb.)	LOW	2.5 kg (3.4 lb.)	3.4 kg (4.6 lb.)	4.5 kg (6.2 lb.)	6.1 kg (8.4 lb.)	7.8 kg (10.3 lb.)
	MED	2.8 kg (4 lb.)	3.8 kg (5.5 lb.)	5 kg (6.9 lb.)	6.8 kg (9.3 lb.)	8.4 kg (11.4 lb.)
Average steam use per cycle		23.4 kg (1.49 bhp)	30.4 kg (1.94 bhp)	45 kg (2.87 bhp)	57 kg (3.63 bhp)	70 kg (4.4 bhp)
<b>Electrical Heating (Optional)</b>						
Total electrical heating capacity		18 kW	18 kW	27 kW	27 kW	N/A
Electrical heating elements		6	6	9	9	N/A
Electrical heat element size		3 kW	3 kW	3 kW	3 kW	N/A

General Specifications							
Model			55	75	100	135	165
Time required to raise bath temperature	LOW	10° C	6 minutes	6 minutes	11 minutes	13 minutes	N/A
		50° F	8 minutes	6 minutes	11 minutes	13 minutes	N/A
	MED	10° C	5 minutes	5 minutes	12 minutes	14 minutes	N/A
		50° F	10 minutes	5 minutes	12 minutes	14 minutes	N/A

# Installation/Operation Supplement

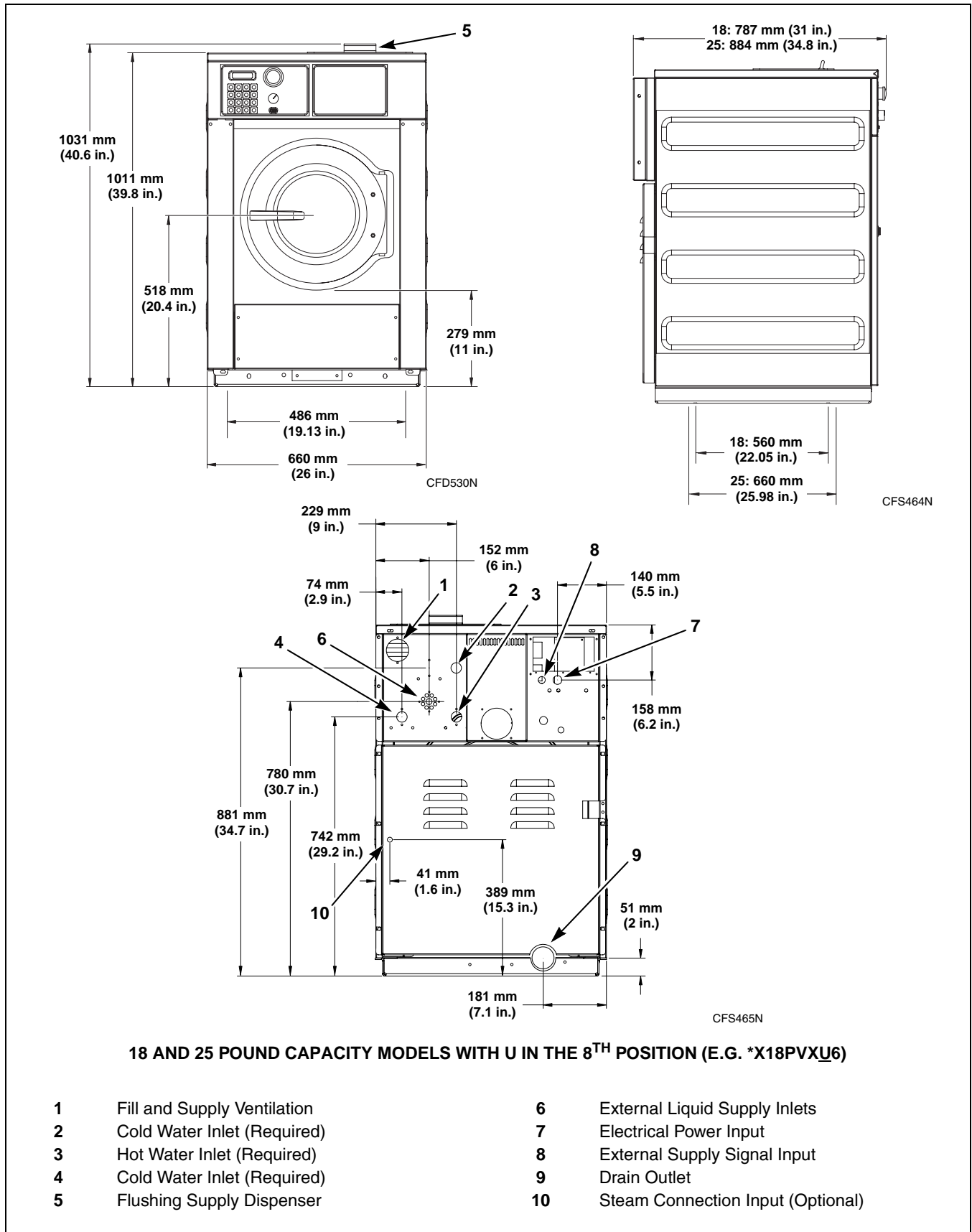
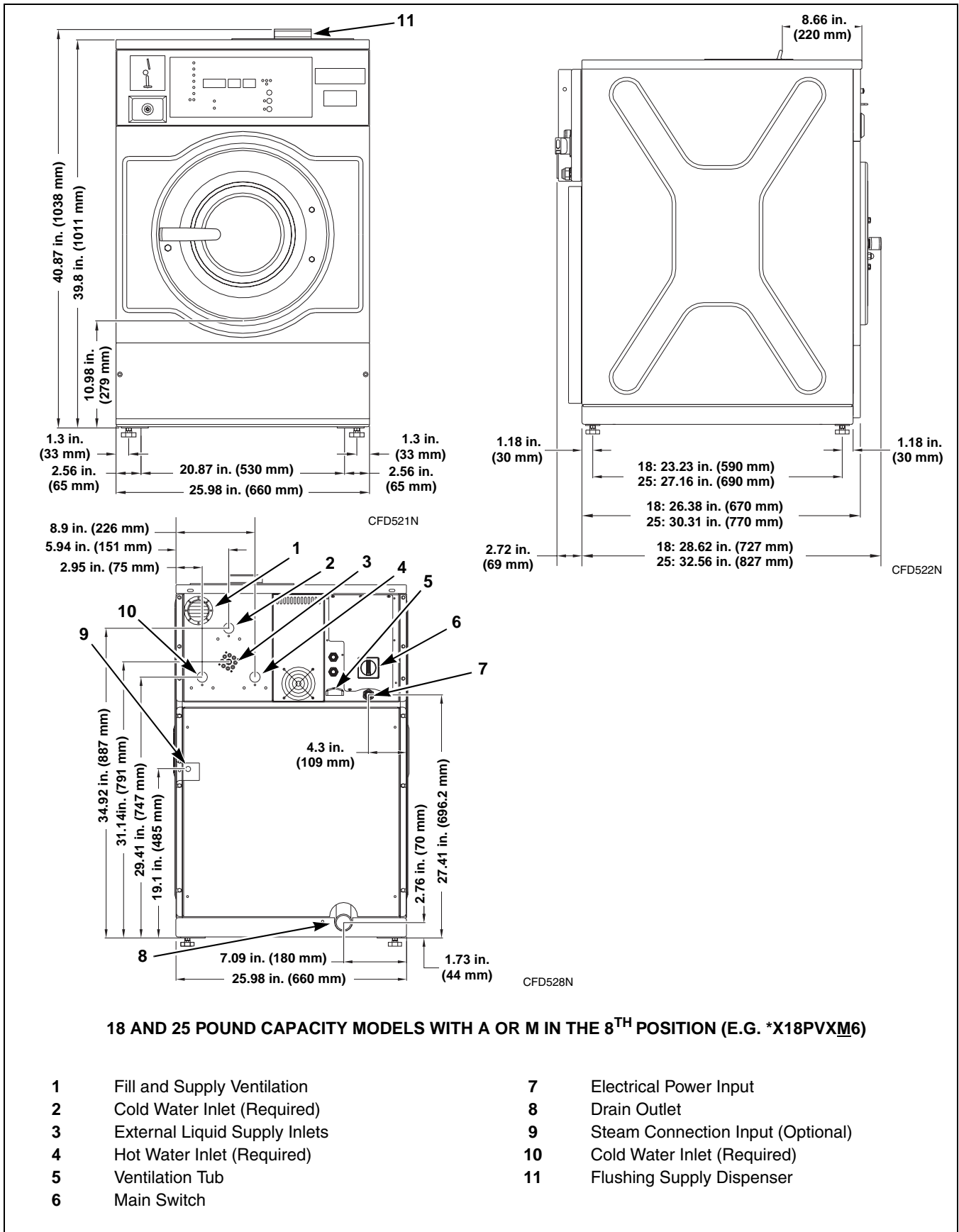


Figure 1



**18 AND 25 POUND CAPACITY MODELS WITH A OR M IN THE 8<sup>TH</sup> POSITION (E.G. \*X18PVXM6)**

- |   |                               |    |                                   |
|---|-------------------------------|----|-----------------------------------|
| 1 | Fill and Supply Ventilation   | 7  | Electrical Power Input            |
| 2 | Cold Water Inlet (Required)   | 8  | Drain Outlet                      |
| 3 | External Liquid Supply Inlets | 9  | Steam Connection Input (Optional) |
| 4 | Hot Water Inlet (Required)    | 10 | Cold Water Inlet (Required)       |
| 5 | Ventilation Tub               | 11 | Flushing Supply Dispenser         |
| 6 | Main Switch                   |    |                                   |

Figure 2

# Installation/Operation Supplement

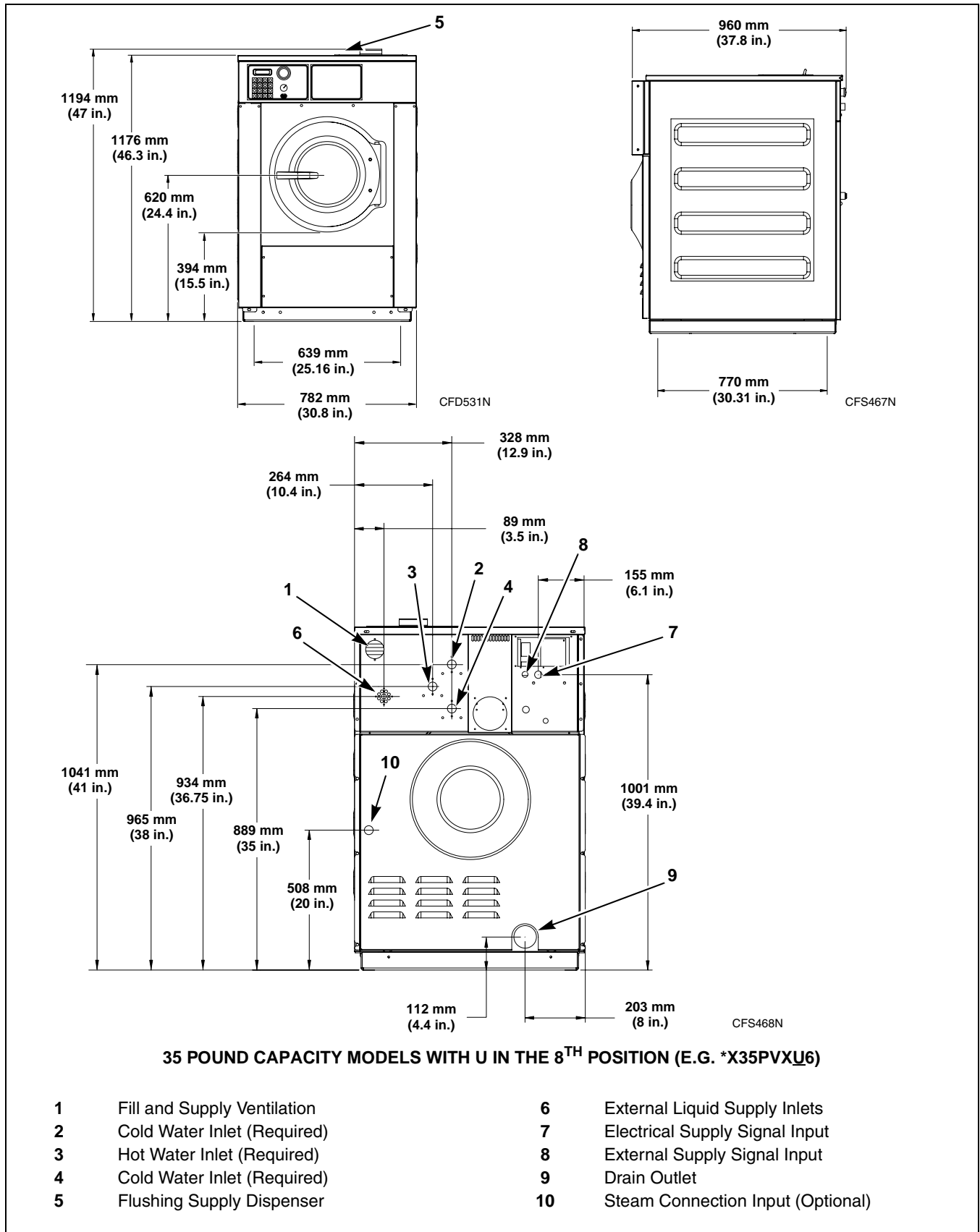
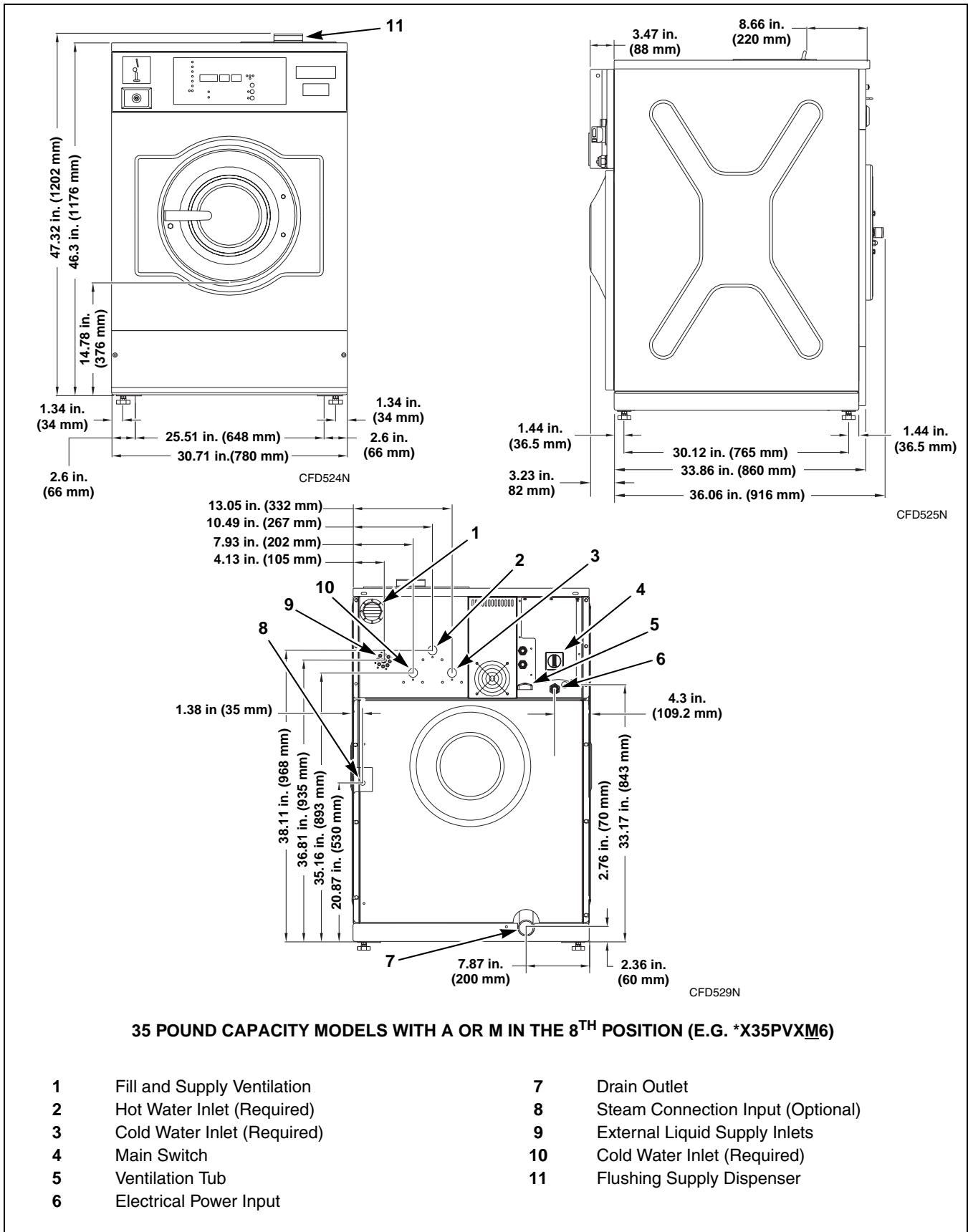


Figure 3





**35 POUND CAPACITY MODELS WITH A OR M IN THE 8<sup>TH</sup> POSITION (E.G. \*X35PVXM6)**

- |   |                             |    |                                   |
|---|-----------------------------|----|-----------------------------------|
| 1 | Fill and Supply Ventilation | 7  | Drain Outlet                      |
| 2 | Hot Water Inlet (Required)  | 8  | Steam Connection Input (Optional) |
| 3 | Cold Water Inlet (Required) | 9  | External Liquid Supply Inlets     |
| 4 | Main Switch                 | 10 | Cold Water Inlet (Required)       |
| 5 | Ventilation Tub             | 11 | Flushing Supply Dispenser         |
| 6 | Electrical Power Input      |    |                                   |

Figure 4

# Installation/Operation Supplement

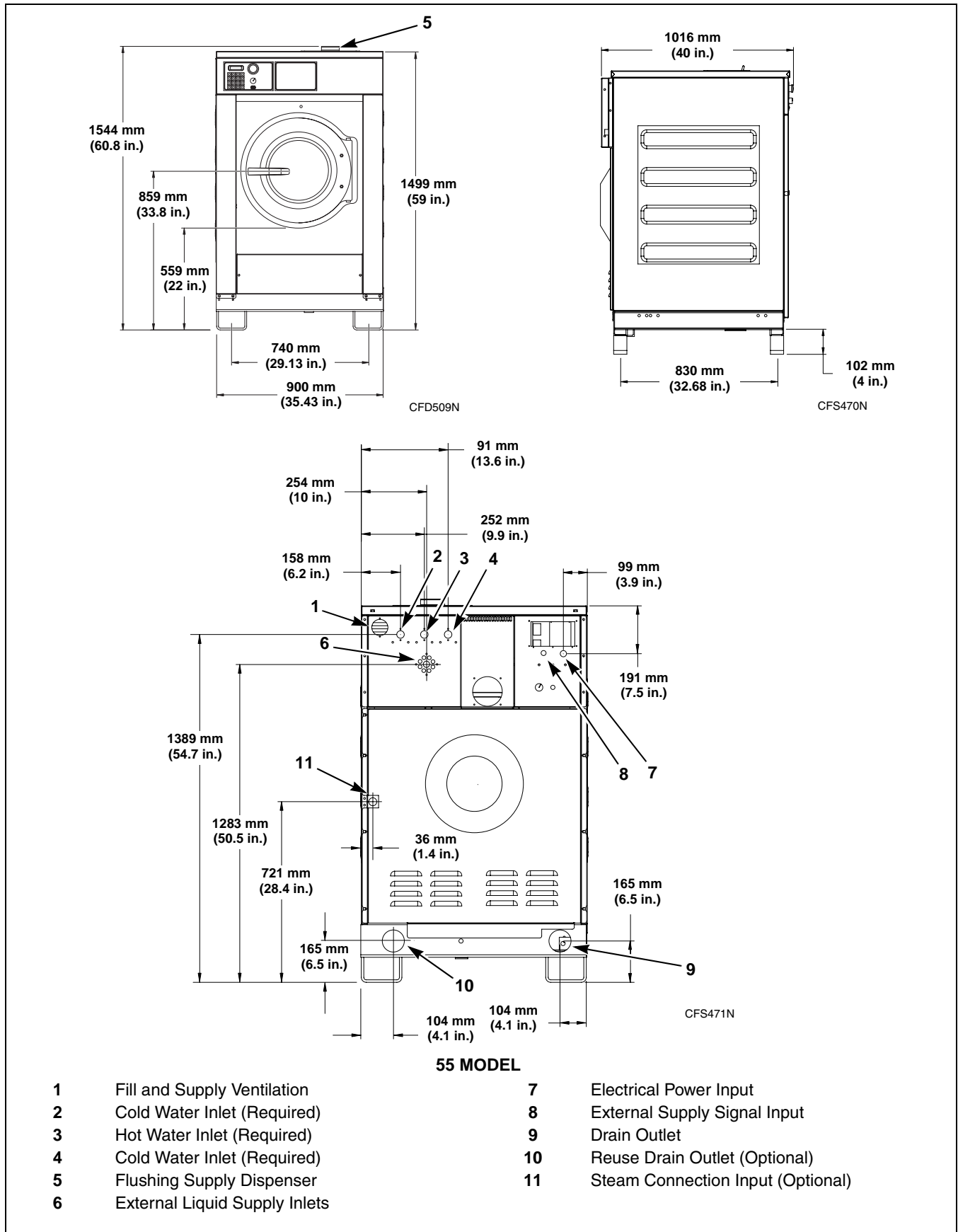


Figure 5

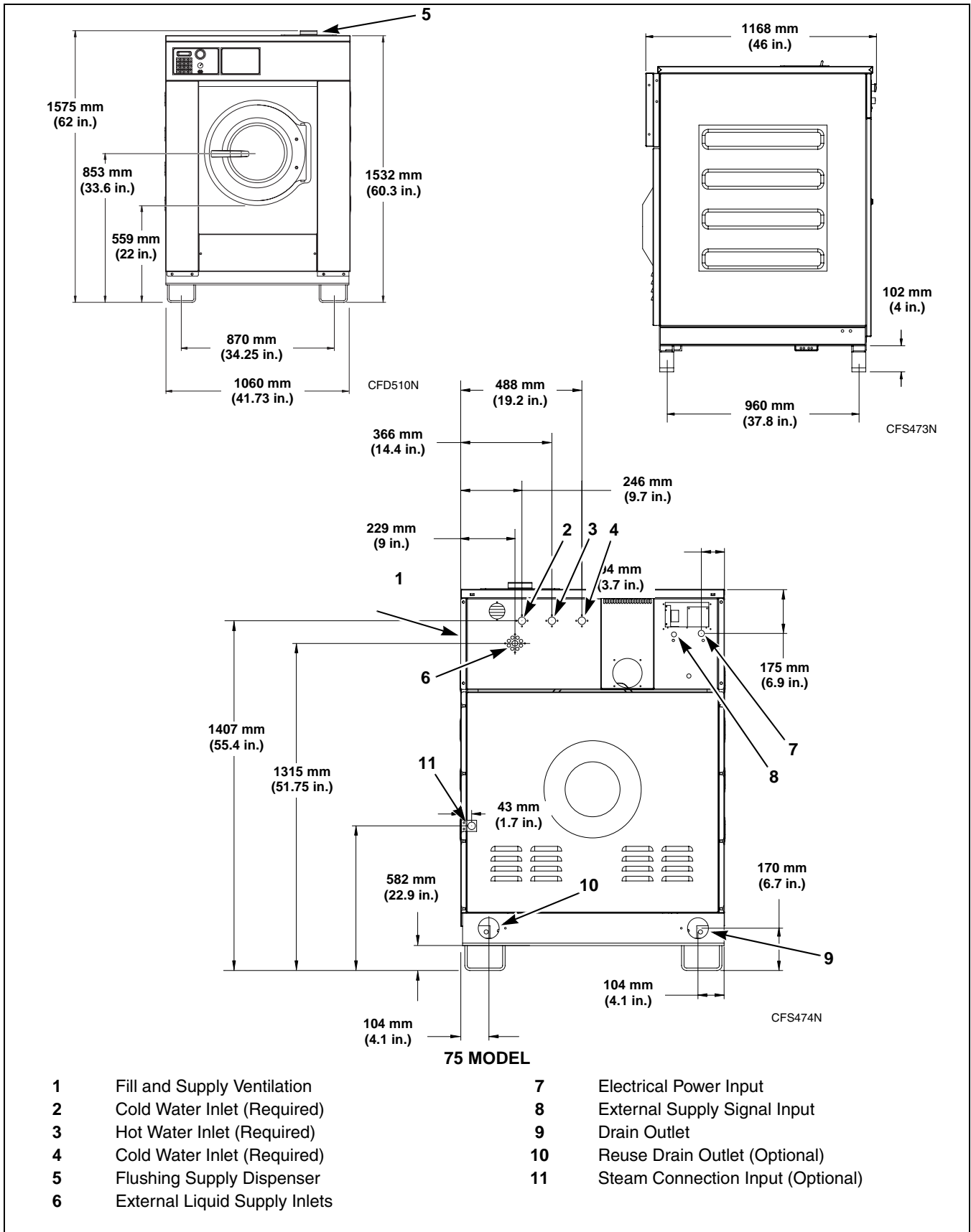


Figure 6

# Installation/Operation Supplement

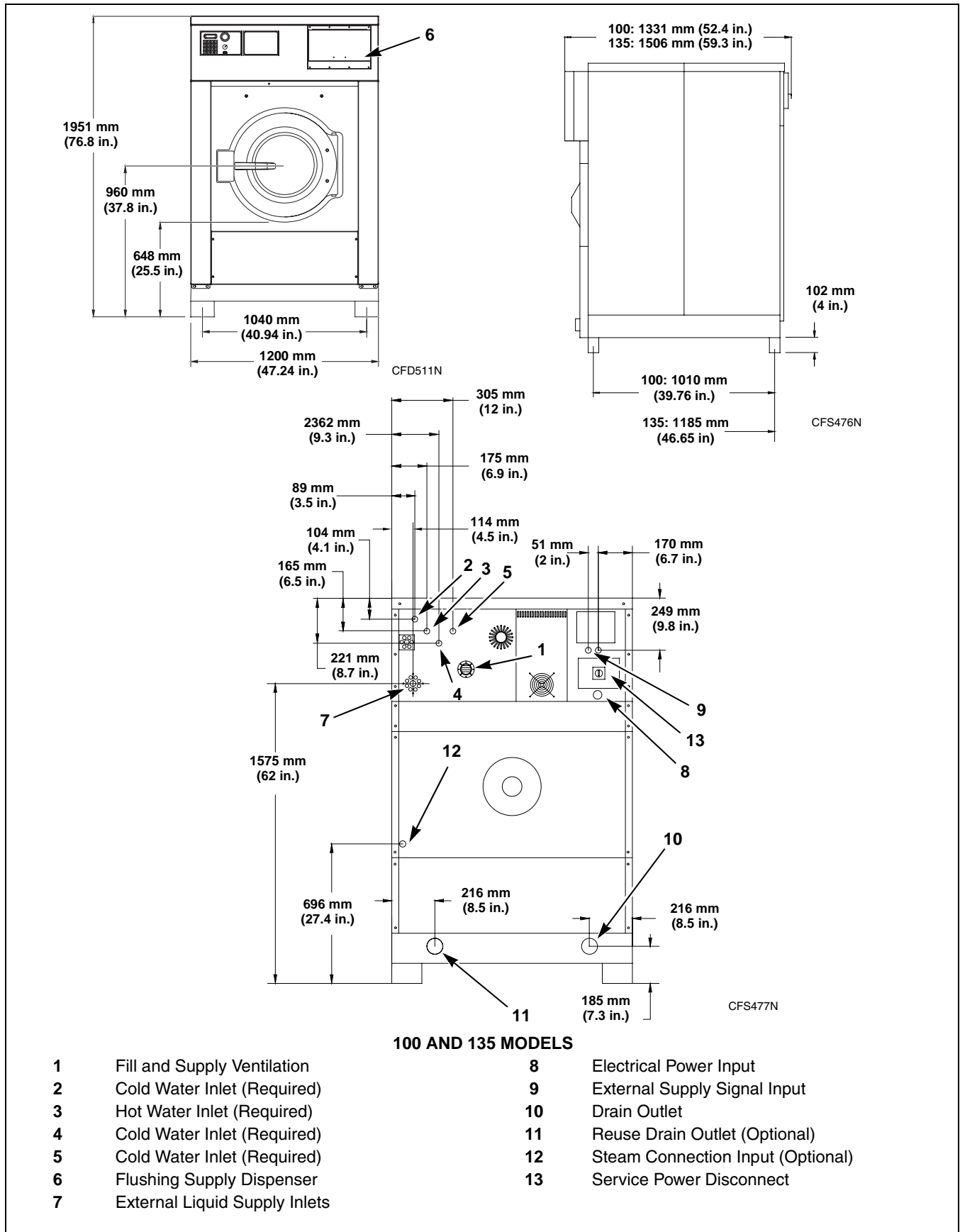
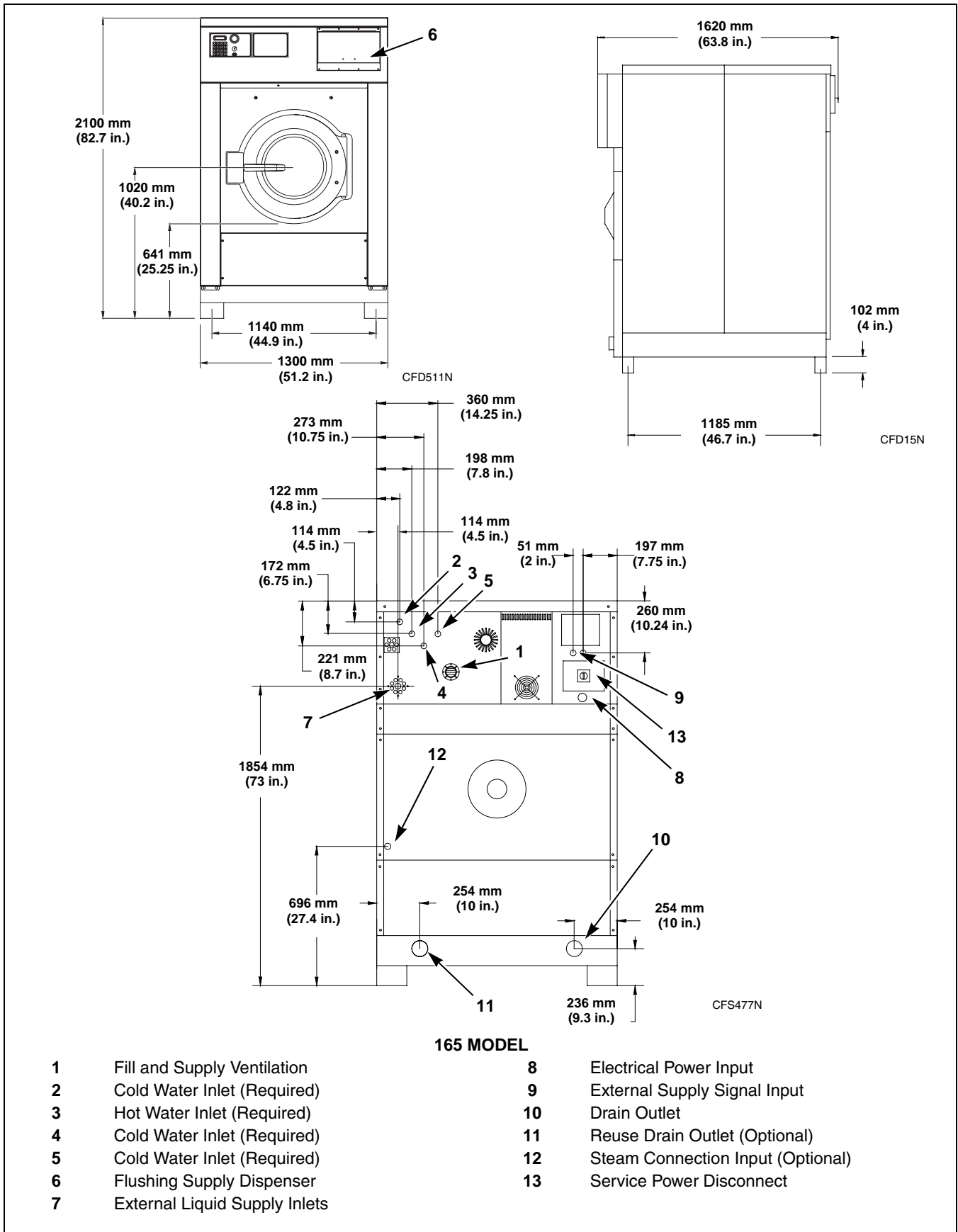


Figure 7



**165 MODEL**

- |   |                               |    |                                   |
|---|-------------------------------|----|-----------------------------------|
| 1 | Fill and Supply Ventilation   | 8  | Electrical Power Input            |
| 2 | Cold Water Inlet (Required)   | 9  | External Supply Signal Input      |
| 3 | Hot Water Inlet (Required)    | 10 | Drain Outlet                      |
| 4 | Cold Water Inlet (Required)   | 11 | Reuse Drain Outlet (Optional)     |
| 5 | Cold Water Inlet (Required)   | 12 | Steam Connection Input (Optional) |
| 6 | Flushing Supply Dispenser     | 13 | Service Power Disconnect          |
| 7 | External Liquid Supply Inlets |    |                                   |

Figure 8

# Installation

## Dimensional Clearances

Table 1 shows recommended minimum clearances on all sides of the washer-extractor.

Recommended Minimum Clearances								
Model	18	25	35	55	75	100	135	165
Minimum rear clearance	600 mm (24 in.)	600 mm (24 in.)	600 mm (24 in.)	600 mm (24 in.)	600 mm (24 in.)	600 mm (24 in.)	600 mm (24 in.)	600 mm (24 in.)
Minimum clearance between machine and wall	150 mm (6 in.)	150 mm (6 in.)	150 mm (6 in.)	150 mm (6 in.)	150 mm (6 in.)	150 mm (6 in.)	150 mm (6 in.)	150 mm (6 in.)
Minimum clearance between machines (side)	25.4 mm (1 in.)	25.4 mm (1 in.)	25.4 mm (1 in.)	30 mm (1.2 in.)	30 mm (1.2 in.)	30 mm (1.2 in.)	30 mm (1.2 in.)	30 mm (1.2 in.)
Minimum front clearance (door swing)	419 mm (16.5 in.)	419 mm (16.5 in.)	419 mm (16.5 in.)	533 mm (21 in.)	533 mm (21 in.)	660 mm (26 in.)	660 mm (26 in.)	660 mm (26 in.)

Table 1

### Machine Foundation


Thoroughness of detail must be stressed with all foundation work to ensure a stable unit installation, eliminating possibilities of excessive vibration during extract.

The washer-extractor must be placed on a smooth level surface so that the entire base of the machine is supported and rests on the mounting surface.

The standard installation does not require anchoring unless mandated by state or local codes.

Static and dynamic loads on the floor or foundation are shown in *Table 2*.

*Table 2* can be used as a reference when designing floors and foundations.

	<b>CAUTION</b>
<p><b>Ensure that the machine is installed on a level floor of sufficient strength and that the recommended clearances for inspection and maintenance are provided. Never allow the inspection and maintenance space to be blocked.</b></p>	
W488	

Floor Load Data								
Model	18	25	35	55	75	100	135	165
Static floor load	2.51 kN (546 lb.)	2.63 kN (592 lb.)	4.38 kN (983 lb.)	6.97 kN (1566 lb.)	10.3 kN (2310 lb.)	16.4 kN (3682 lb.)	19.1 kN (4282 lb.)	24.49 kN (5509 lb.)
Static pressure	6.79 kN-m <sup>2</sup> (137 lbs-ft <sup>2</sup> )	5.17 kN-m <sup>2</sup> (109 lbs-ft <sup>2</sup> )	6.53 kN-m <sup>2</sup> (137 lbs-ft <sup>2</sup> )	8.33 kN-m <sup>2</sup> (175 lbs-ft <sup>2</sup> )	8.97 kN-m <sup>2</sup> (188 lbs-ft <sup>2</sup> )	11.5 kN-m <sup>2</sup> (240 lbs-ft <sup>2</sup> )	12.5 kN-m <sup>2</sup> (261 lbs-ft <sup>2</sup> )	14.84 kN-m <sup>2</sup> (310 lbs-ft <sup>2</sup> )
Dynamic floor load	0.7 kN (157 lb.)	0.75 kN (169 lb.)	1.2 kN (270 lb.)	1.7 kN (382 lb.)	2.0 kN (450 lb.)	2.96 kN (665 lb.)	3.75 kN (883 lb.)	4.86 kN (1093 lb.)
Maximum dynamic load	0.7 kN (157 lb.)	0.75 kN (169 lb.)	1.2 kN (270 lb.)	1.7 kN (382 lb.)	2.0 kN (450 lb.)	2.96 kN (665 lb.)	3.75 kN (883 lb.)	5.78 kN (1301 lb.)
Dynamic pressure	1.89 kN-m <sup>2</sup> (39.4 lbs-ft <sup>2</sup> )	1.47 kN-m <sup>2</sup> (31.1 lbs-ft <sup>2</sup> )	1.79 kN-m <sup>2</sup> (37.6 lbs-ft <sup>2</sup> )	2.03 kN-m <sup>2</sup> (42.7 lbs-ft <sup>2</sup> )	7.75 kN-m <sup>2</sup> (36.6 lbs-ft <sup>2</sup> )	2.07 kN-m <sup>2</sup> (43.3 lbs-ft <sup>2</sup> )	2.46 kN-m <sup>2</sup> (53.8 lbs-ft <sup>2</sup> )	3.05 kN-m <sup>2</sup> (63.7 lbs-ft <sup>2</sup> )

Table 2

## Mechanical Installation

### Frame Dimensions and Mounting Bolt Location for 18, 25, 35, 55, 75, 100, 135 and 165 Models

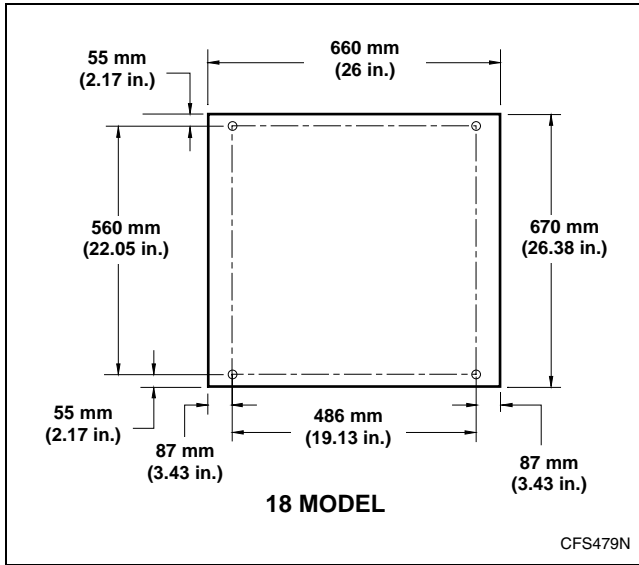


Figure 9

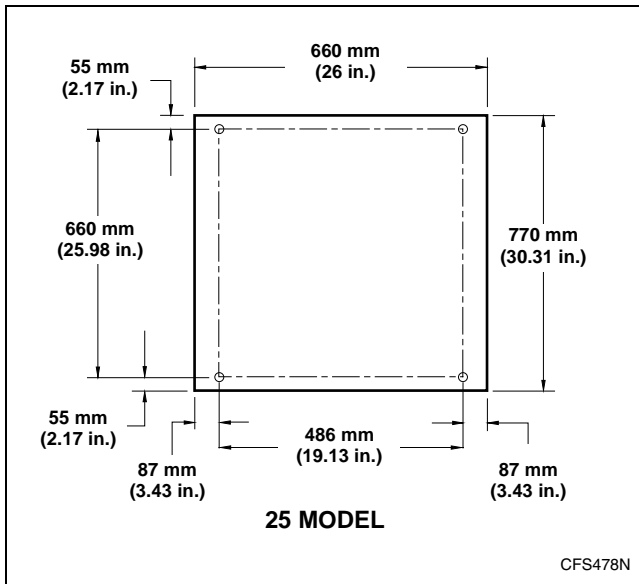


Figure 10

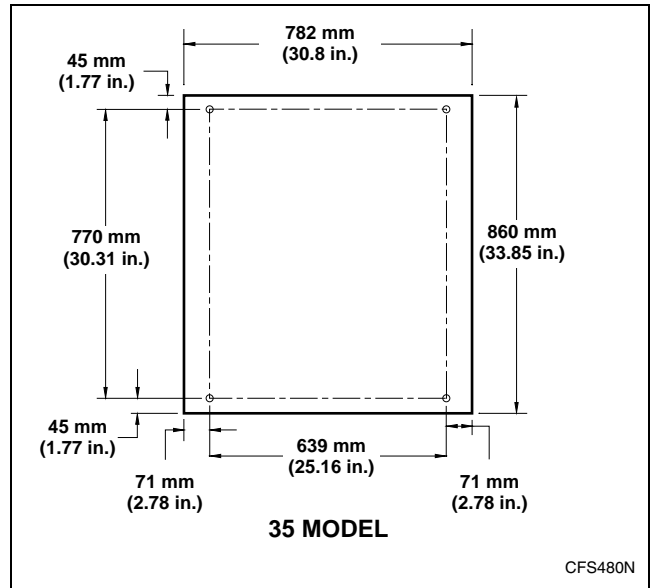


Figure 11

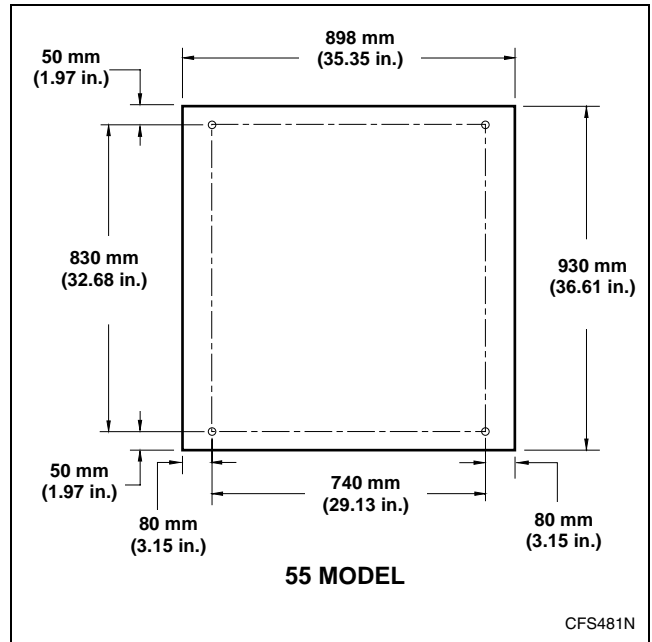


Figure 12



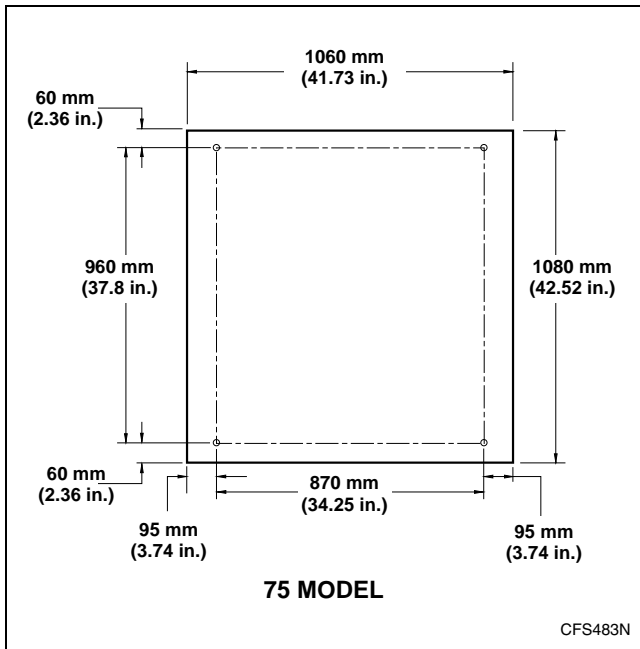


Figure 13

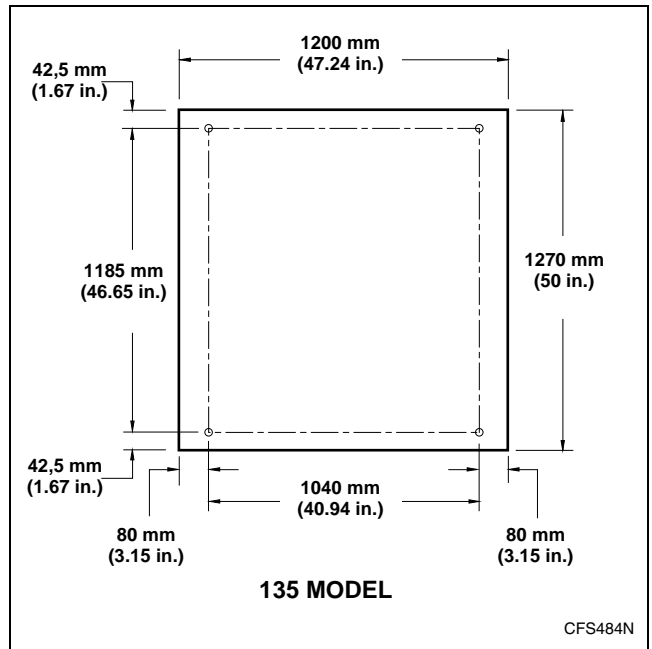


Figure 15

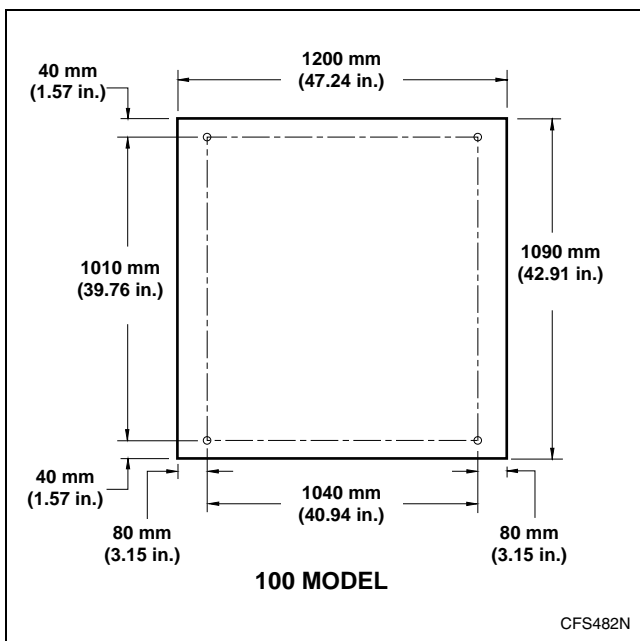


Figure 14

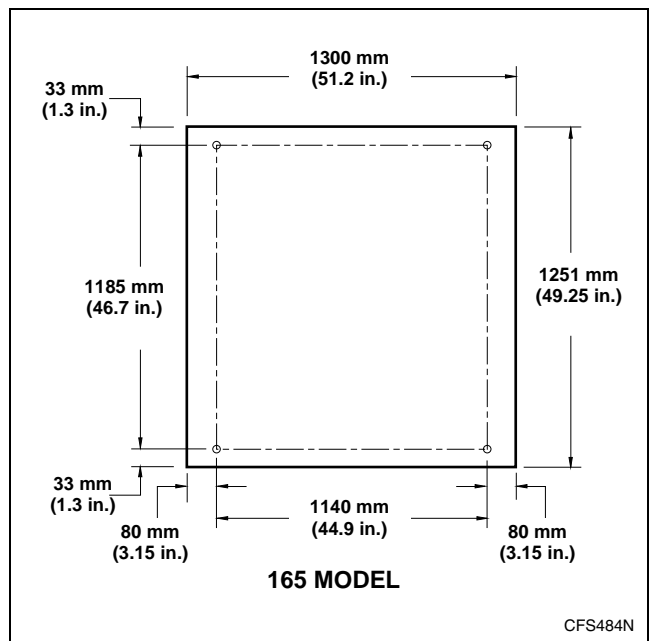


Figure 16

## Mounting Bolt Installation (If Required)

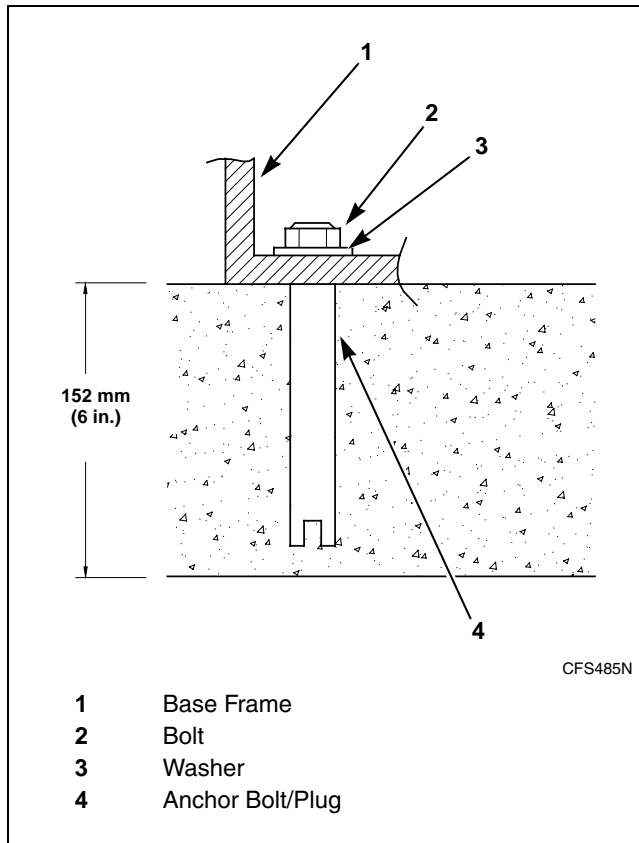


Figure 17

After the concrete has cured and the anchors are installed, proceed as follows:

1. Place the washer-extractor adjacent to the foundation. Do not attempt to move it by pushing on the sides. Always insert a pry bar or other device under the bottom of the frame of the washer-extractor to move it.
2. Place the washer-extractor carefully over the anchors.
3. Put bolts through the machine in the anchors and fasten them. (For the 18-25 and 35 models, the diameter of the bolt must be minimum 1/2-13 or 12 mm; for the 55-75-100-135-165 models, the diameter of the bolt must be minimum 5/8-11 or 16 mm.)

4. To level machine, fill the spaces between the machine base and floor with machinery grout. Grout completely under all frame members. Remove front and rear panels to gain access to all frame members. Force grout under the machine base until all voids are filled.
5. Remove the spacers carefully, allowing the machine to settle into the wet grout.
6. Position washers and locknuts on machinery anchor bolts and finger-tighten to machine base.
7. After the grout is completely dry, tighten the locknuts by even increments – one after the other – until all are tightened evenly and the machine is fastened securely to the floor.
8. Remove the four red transport brackets which secure the moving components of the machine during shipping. Refer to *Installation* manual for typical transport bracket locations.

**Electrical Specifications**

Electrical Specifications											
Voltage Designation						Standard			Electric Heat		
Model	Code	Voltage	Cycle	Phase	Wire	Full Load Amps	Circuit Breaker	AWG/mm <sup>2</sup>	Full Load Amps	Circuit Breaker	AWG/mm <sup>2</sup>
18	N	440-480	50/60	3	3+PE	6	15	14/2.5	20	25	10/6.0
	P	380-415	50/60	3	3+N+PE	Not available			17	20	12/4.0
	Q	200-240	50/60	3	3+PE	Not available			28	30	10/6.0
	X	200-240	50/60	1/3	2/3+PE	6	15	14/2.5	Not available		
25	N	440-480	50/60	3	3+PE	6	15	14/2.5	21	25	10/6.0
	P	380-415	50/60	3	3+N+PE	Not available			18	20	12/4.0
	Q	200-240	50/60	3	3+PE	Not available			29	30	10/6.0
	X	200-240	50/60	1/3	2/3+PE	6	15	14/2.5	Not available		
35	N	440-480	50/60	3	3+PE	12	15	14/2.5	41	50	8/10.0
	P	380-415	50/60	3	3+N+PE	Not available			36	40	8/10.0
	Q	200-240	50/60	3	3+PE	Not available			58	60	6/16.0
	X	200-240	50/60	1/3	2/3+PE	12	15	14/2.5	Not available		
55	N	440-480	50/60	3	3+PE	12	15	14/2.5	41	50	8/10.0
	P	380-415	50/60	3	3+N+PE	Not available			36	40	8/10.0
	Q	200-240	50/60	3	3+PE	Not available			58	60	6/16.0
	X	200-240	50/60	1/3	2/3+PE	12	15	14/2.5	Not available		
75	N	440-480	50/60	3	3+PE	12	15	14/2.5	41	50	8/10.0
	P	380-415	50/60	3	3+N+PE	12	15	14/2.5	36	40	8/10.0
	Q	200-240	50/60	3	3+PE	12	20	12/4.0	58	60	6/16.0
100	N	440-480	50/60	3	3+PE	17	20	12/4.0	62	70	4/25.0
	P	380-415	50/60	3	3+N+PE	17	20	12/4.0	55	60	6/16.0
	Q	200-240	50/60	3	3+PE	17	25	10/6.0	88	90	3/35.0
135	N	440-480	50/60	3	3+PE	17	25	10/6.0	62	70	4/25.0
	P	380-415	50/60	3	3+N+PE	17	25	10/6.0	55	60	6/16.0
	Q	200-240	50/60	3	3+PE	17	30	10/6.0	88	90	3/35.0
165	N	440-480	50/60	3	3+PE	20	25	10/6.0	Not available		
	P	380-415	50/60	3	3+N+PE	20	25	10/6.0	Not available		
	Q	200-240	50/60	3	3+PE	25	40	8/10.0	Not available		

Table 3

# Operation

## Control Identification

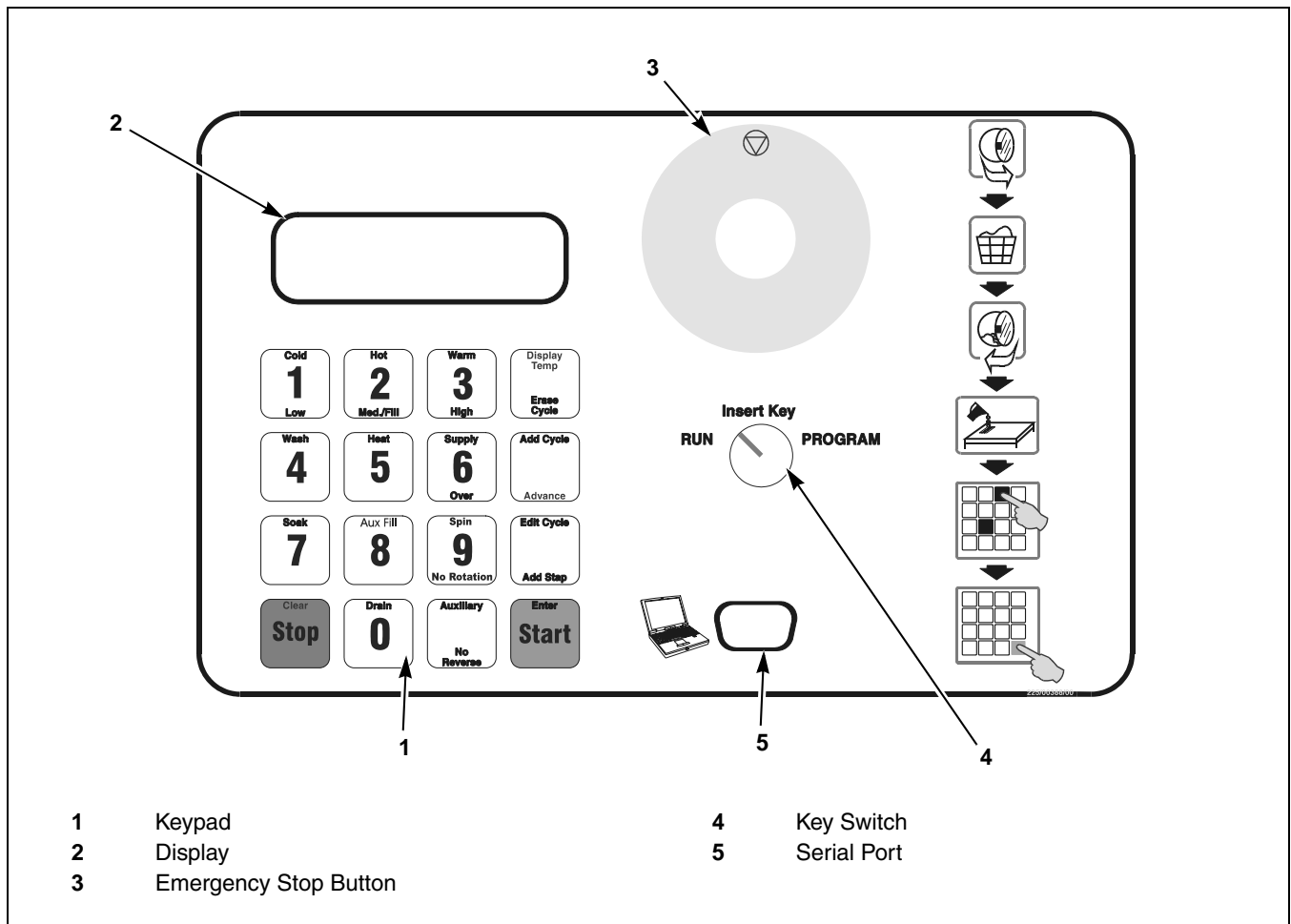


Figure 18

## Load the Machine

For models: 18PV-55PV

SX18PV	SX25PV	UX18PV	UX25PV
SX35PV	SX55PV	UX35PV	UX55PV
SX75PV		UX75PV	

1. Pull the door handle towards you to open the door.

Some models may have a door handle with a button that must be pressed.

2. Load the drum to the specified capacity.
3. Close the door by pushing the door handle towards the machine.

For models: 100PV-165PV

SX100PV	UX100PV
SX135PV	UX135PV
SX165PV	UX165PV

1. Push on the doorlock system to open the door.
2. Load the drum to the specified capacity.
3. Close the door by pushing the door handle towards the machine.

# Disposal of Unit

This appliance is marked according to the European directive 2002/96/EC on Waste Electrical and Electronic Equipment (WEEE).

This symbol on the product or on its packaging indicates that this product shall not be treated as household waste. Refer to *Figure 19*. Instead it shall be handed over to the applicable collection point for the recycling of electrical and electronic equipment. Ensuring this product is disposed of correctly will help prevent potential negative consequences for the environment and human health which could otherwise be caused by inappropriate waste handling of this product. The recycling of materials will help to conserve natural resources. For more detailed information about recycling of this product, please contact the local city office, household waste disposal service, or the source from which the product was purchased.

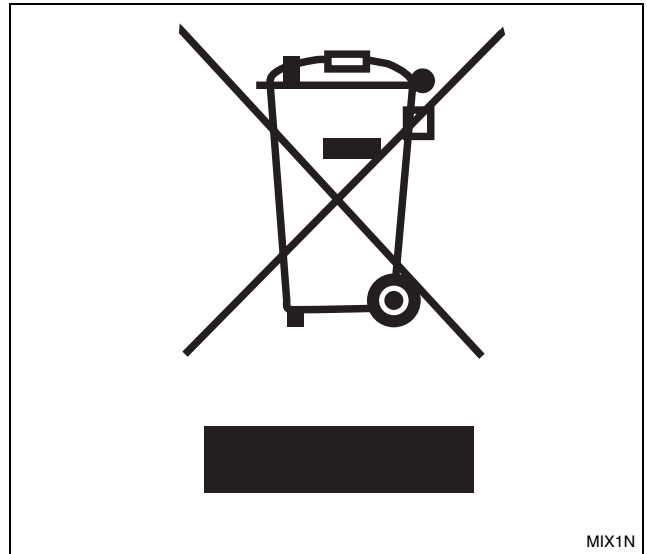


Figure 19