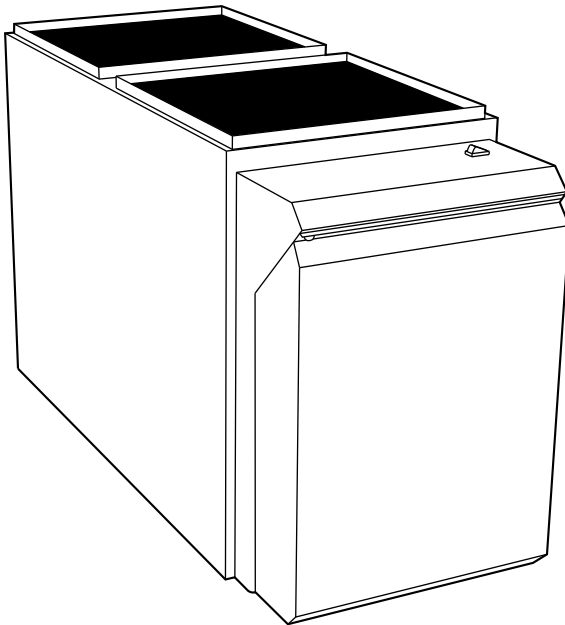




## LOW-BOY OIL FURNACE

**367AAN**  
Sizes 105 & 120  
Series A



### LOW-BOY OIL FURNACE

The model 367AAN combines high efficiency and quiet operation with the latest in oil heating technology. The 367AAN is available in 2 sizes. Each size allows for 3 possible input capacities by a simple nozzle change. The furnace design is a low-boy style for upflow applications, especially where space is limited. The components of the 367AAN are the best available. The 367AAN features a Beckett oil burner and a Honeywell ignition control and fan timer board. The 367AAN is among the most efficient and quietest oil furnaces available and will provide years of quality service. As with other Bryant furnaces, this model is designed to work as part of a total home comfort system which includes elements for cooling, air cleaning, humidification, ventilation, and zoning.

### FEATURES

**Low-Boy Design**—The compact low-boy, dedicated upflow design is ideal for installation in basements where overhead space is limited.

The model 367AAN is available in 2 sizes. Each size is capable of 3 heat/airflow combinations by a simple nozzle change. Unit 036105 covers inputs of 70,000, 91,000 and 105,000 Btuh, and unit 060120 covers inputs of 119,000, 140,000 and 154,000 Btuh. This eliminates the need to stock 6 separate units.

**Venting**—The 367AAN has a rear flue outlet. The unit may be vented using Type L vent material and a factory-approved or masonry chimney. It may also be sidewall vented with an approved power venter.

**Combustion Chamber/Heat Exchanger**—The unique combination combustion chamber/heat exchanger is made mainly of stainless and aluminized steel for durability and long life. Its heat transfer properties make it highly efficient. All seams are tightly welded for leak-free operation.

**Warranties**—Limited Lifetime Warranty on combustion chamber/heat exchanger. Five-year Warranty on Beckett burner. Two-year Warranty on Honeywell ignition control. Contact your dealer for details.

**Beckett Oil Burner and Honeywell Controls**—High quality Beckett oil burner allows safe and efficient combustion of oil. Honeywell ignition control and fan timer board provide for reliable operation and easy connection of thermostat and accessory wiring.

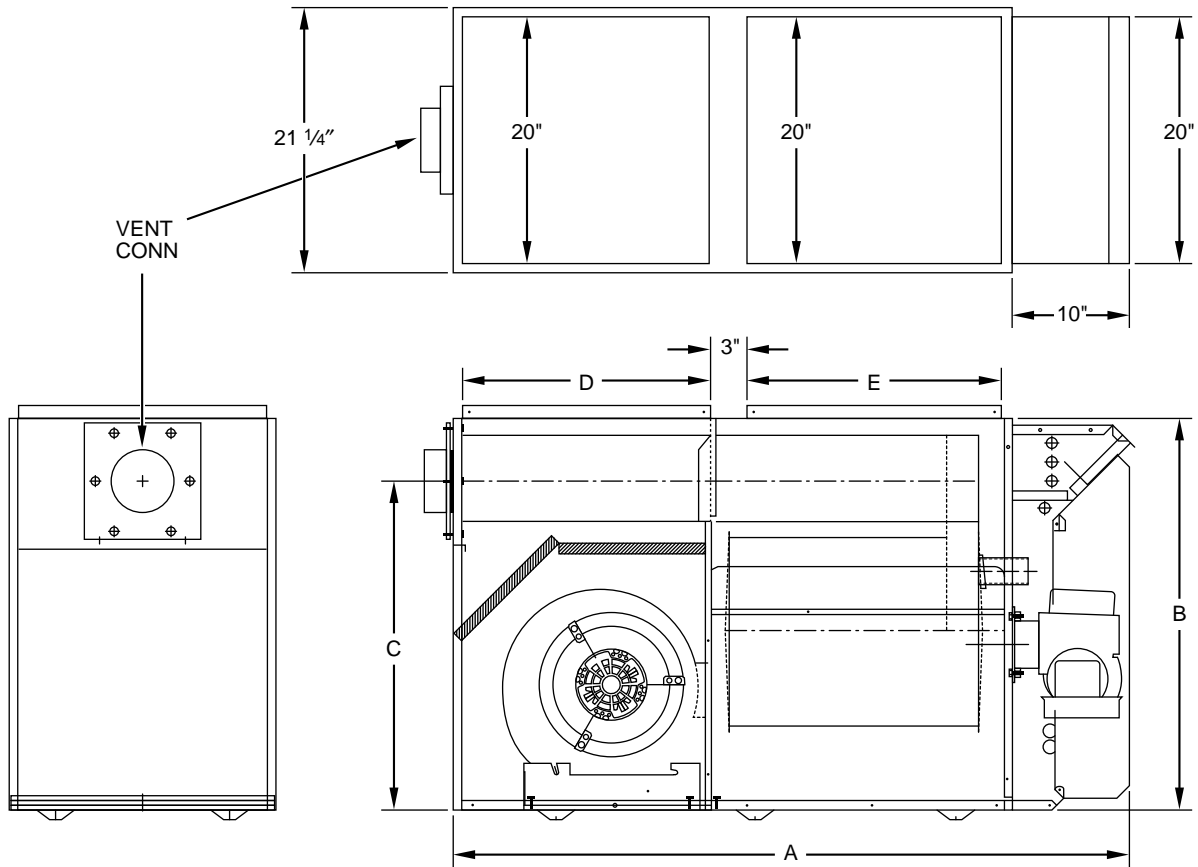
**Casing**—Made of 18 gage painted steel for years of durability. The cabinet features an insulated enclosure for the burner and controls.

**Insulation and Soundproofing**—A unique silencer along with insulated walls and rubber blower mounts efficiently controls combustion noise and vibrations and makes this unit 1 of the quietest on the market.

**Adjustable Blower Speed**—Four-speed blower for precise airflow selection of heating or cooling operation.

**Constant Low-Speed Blower Switch**—Allows continual low-speed air circulation through the home to maximize comfort while maintaining efficiency. Air is constantly filtered and stagnant air is reduced.

**Certifications**—The 367AAN is UL and ULC certified. The efficiency rating is GAMA certified.



A98009

**DIMENSIONS (In.)**

UNIT SIZE	UNIT DIMENSIONS			FLUE HEIGHT C	RETURN OPENING D	SUPPLY OPENING E	VENT CONN
	Width	Depth					
		A	B				
036105	21-1/4	53-3/4	31-1/2	26-1/2	20	20	5
060120	21-1/4	60-5/32	34-3/4	28-11/32	22	24	6



**MINIMUM CLEARANCES TO COMBUSTIBLE MATERIALS (In.)**

UNIT APPLICATION		LOW-BOY
SIDES	Furnace	1
	Supply Plenum and Warm-Air Duct Within 6 ft of Furnace	1
BACK	Service Clearance	19
TOP	Furnace Casing or Plenum	2
	Horizontal Warm-Air Duct Within 6 ft of Furnace	2
BOTTOM*		0
FLUE PIPE	Horizontally or Below Pipe	4
	Vertically Above Pipe	9
FRONT		8

\* Floor may be combustible.

**NOTE:** Adequate service clearance should be provided over and above these dimensions as required.

## SPECIFICATIONS

UNIT SIZE	036105			060120		
SHIPPING WEIGHT (Lb)	235			260		
<b>RATINGS AND PERFORMANCE</b>						
Input Btuh	70,000	91,000	105,000	119,000	140,000	154,000
Output Capacity* <span style="float: right;">Nonweatherized ICS</span>	57,000	74,000	85,000	98,000	115,000	125,000
Nozzle—100 psig Pump Pressure	0.50—70W	0.65—70W	0.75—70B	0.85—70B	1.00—70W	1.10—70W
Firing Rate (GPH)	0.50	0.65	0.75	0.85	1.00	1.10
AFUE%* <span style="float: right;">Nonweatherized ICS</span>	81.4	81.4	81.4	80.6	80.6	80.6
Certified Temperature Rise Range °F	55—85	55—85	55—85	55—85	55—85	55—85
Recommended Heating Blower Speed	Med-Low	Med-High	High	Med-Low	Med-High	High
Heating CFM @ 0.2-in. wc Static Pressure	840	1130	1425	1220	1555	1890
Cooling CFM @ 0.5-in. wc Static Pressure	1250	1250	1250	1865	1865	1865
<b>ELECTRICAL</b>						
Unit Volts—Hertz—Phase	115—60—1					
Operating Voltage Range Min—Max†	104—132					
Maximum Unit Amps	12.2			15.7		
Minimum Wire Size (AWG)	14					
Maximum Wire Length (Ft)‡	26					
Maximum Fuse or Ckt Bkr Amps**	15			20		
Transformer (24v)	40va					
External Control <span style="float: right;">Heating</span>	40va					
Power Available <span style="float: right;">Cooling</span>	30va					
Air Conditioning Blower Relay	Standard					
<b>BURNER AND CONTROLS</b>						
Burner Model (3450 RPM)***	Beckett AFG-F3		Beckett AFG-F3		Beckett AFG-F6	
Oil Pump Stages	1					
Ignition Control	Continuous					
Heating Blower Control (Off Delay)	Selectable 60, 90, 120, or 150 Sec					
<b>BLOWER DATA</b>						
Direct-Drive Motor HP (PSC)	1/3			3/4		
Motor Full Load Amps	6.2			9.5		
RPM (Nominal)—Speeds	1075—4					
Blower Wheel Diameter X Width (In.)	10 X 8			12 X 10		
Filter Size (In.)—Disposable	(2) 12 X 20 X 1			(2) 16 X 20 X 1		
<b>FACTORY-AUTHORIZED AND LISTED, DEALER-INSTALLED OPTIONS</b>						
Electronic Air Cleaner	AIRA					
Mechanical Air Cleaner	902B					
Air Cleaner Cabinet	KEACA					
Humidifier	Model 912D, 912E, 913B, 913C, or 914A					
Heat Recovery Ventilator	Model VA3B, VB5B, or VC5B					
Energy Recovery Ventilator	Model VL3A					
Thermostat—Non-Programmable	For Use with 1-Speed Air Conditioner—TSTATBBNAC01-A For Use with 2-Speed Air Conditioner—TSTATBBN2S01-A For Use with 2-Speed Heat Pump—TSTATBBN2S01-A					
Thermostat—Programmable	For Use with 1-Speed Air Conditioner—TSTATBBPAC01-A For Use with 2-Speed Air Conditioner—TSTATBBP2S01-A For Use with 1-Speed Heat Pump—TSTATBBPDF01-A For Use with 2-Speed Heat Pump—TSTATBBP2S01-A or TSTATBBPDF01-A					
Zoning—2-Zone	ZONEKIT2ZBDP, ZONEBB2KIT01					
Zoning—4-Zone	ZONEBB4KIT01					
Zoning—8-Zone	ZONEBB8KIT01					
OIL NOZZLE KIT†† (QTY-50)	0.50 GPH For 70,000 Btuh — KLANZ0150050					
OIL NOZZLE KIT†† (QTY-50)	0.65 GPH For 91,000 Btuh — KLANZ0250065					
OIL NOZZLE KIT†† (QTY-50)	0.75 GPH For 105,000 Btuh — KLANZ0350075					
OIL NOZZLE KIT†† (QTY-50)	0.85 GPH For 120,000 Btuh — KLANZ0450085					
OIL NOZZLE KIT†† (QTY-50)	1.00 GPH For 140,000 Btuh — KLANZ0550100					
OIL NOZZLE KIT†† (QTY-50)	1.10 GPH For 154,000 Btuh — KLANZ0650110					

\* Capacity and AFUE in accordance with U.S. Government DOE test procedures.

† Permissible voltage limits for proper furnace operation.

‡ Length shown is measured 1 way along wire path between unit and service panel for maximum 2% voltage drop.

\*\* Time-delay fuse recommended.

\*\*\* Beckett AFG-F6 requires field supplied and replacement burner firing head.

†† For unit 036105

‡‡ For unit 060120

ICS—Isolated Combustion System

PSC—Permanent Split Capacitor

As Factory Shipped.

## AIR DELIVERY—CFM (With Filter)

UNIT SIZE	BLOWER SPEED	EXTERNAL STATIC PRESSURE IN. WC							
		0.2	0.3	0.4	0.5	0.6	0.7	0.8	0.9
036105	High	1425	1350	1305	1250	1170	1030	925	805
	Med-High	1130	1045	1000	950	885	820	745	670
	Med-Low	840	810	770	740	685	635	580	500
	Low	725	730	740	745	730	715	690	665
060120	High	2080	2040	1965	1865	1700	1575	1475	1335
	Med-High	1890	1860	1770	1675	1550	1450	1330	1215
	Med-Low	1555	1475	1395	1320	1210	1135	1050	940
	Low	1220	1165	1080	1000	925	855	780	655

## SERVICE TRAINING

**Packaged Service Training** programs are an excellent way to increase your knowledge of the equipment discussed in this manual, including:

- Unit Familiarization
- Maintenance
- Installation Overview
- Operating Sequence

A large selection of product, theory, and skills programs is available, using popular video-based formats and materials. All include video and/or slides, plus companion book.

**Classroom Service Training** plus "hands-on" the products in our labs can mean increased confidence that really pays dividends in faster troubleshooting, fewer callbacks. Course descriptions and schedules are in our catalog.

**CALL FOR FREE CATALOG 1-800-962-9212**

Packaged Service Training       Classroom Service Training

A94328



SPECIFICATIONS SUBJECT TO CHANGE WITHOUT NOTICE

UNIT MUST BE INSTALLED IN ACCORDANCE  
WITH INSTALLATION INSTRUCTIONS

Cancels: PDS 367A.105.1B