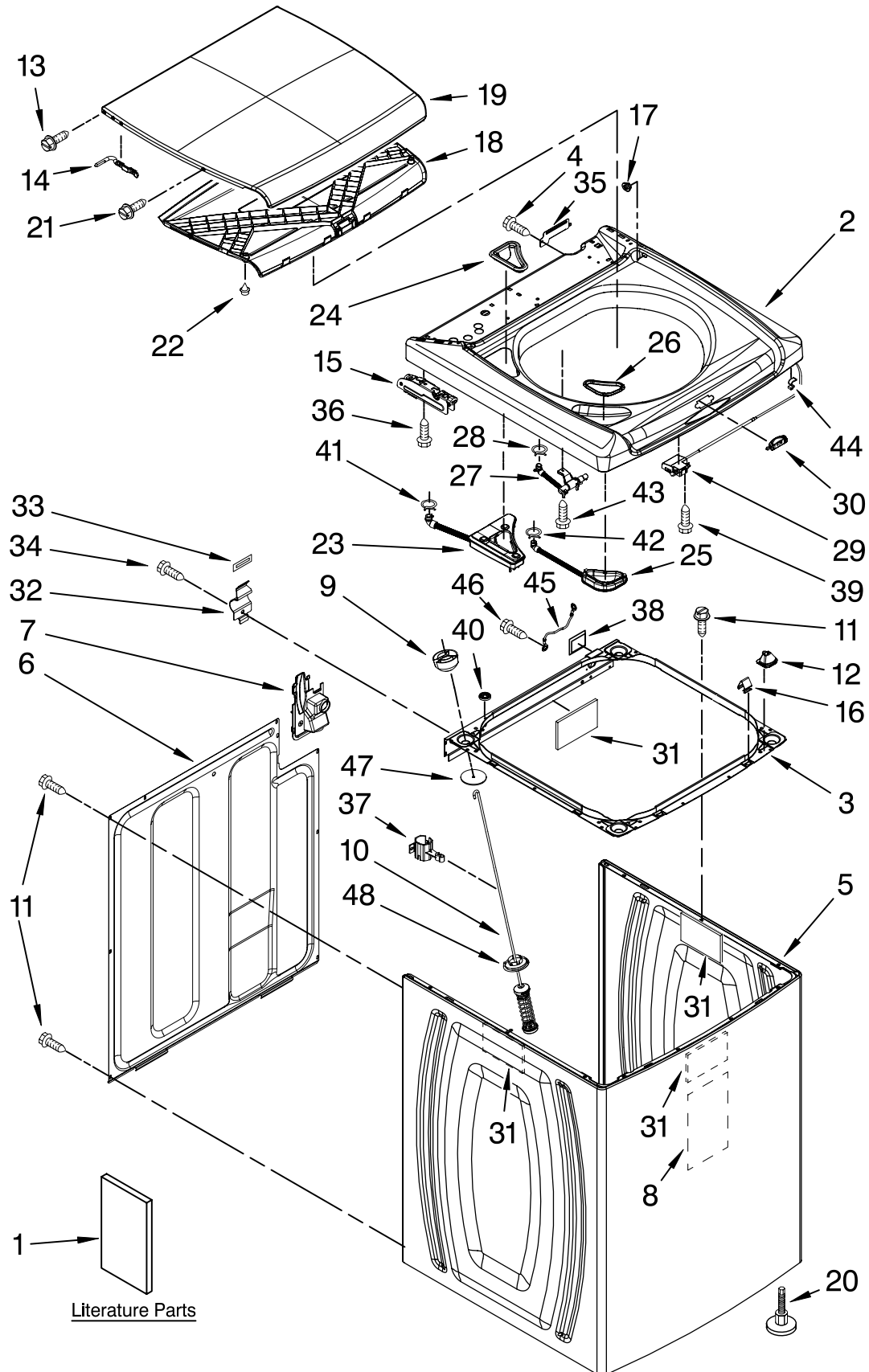




# TOP AND CABINET PARTS

AUTOMATIC WASHER

For Model: WTW6200SW2  
(White)



FOR ORDERING INFORMATION REFER TO PARTS PRICE LIST

# TOP AND CABINET PARTS

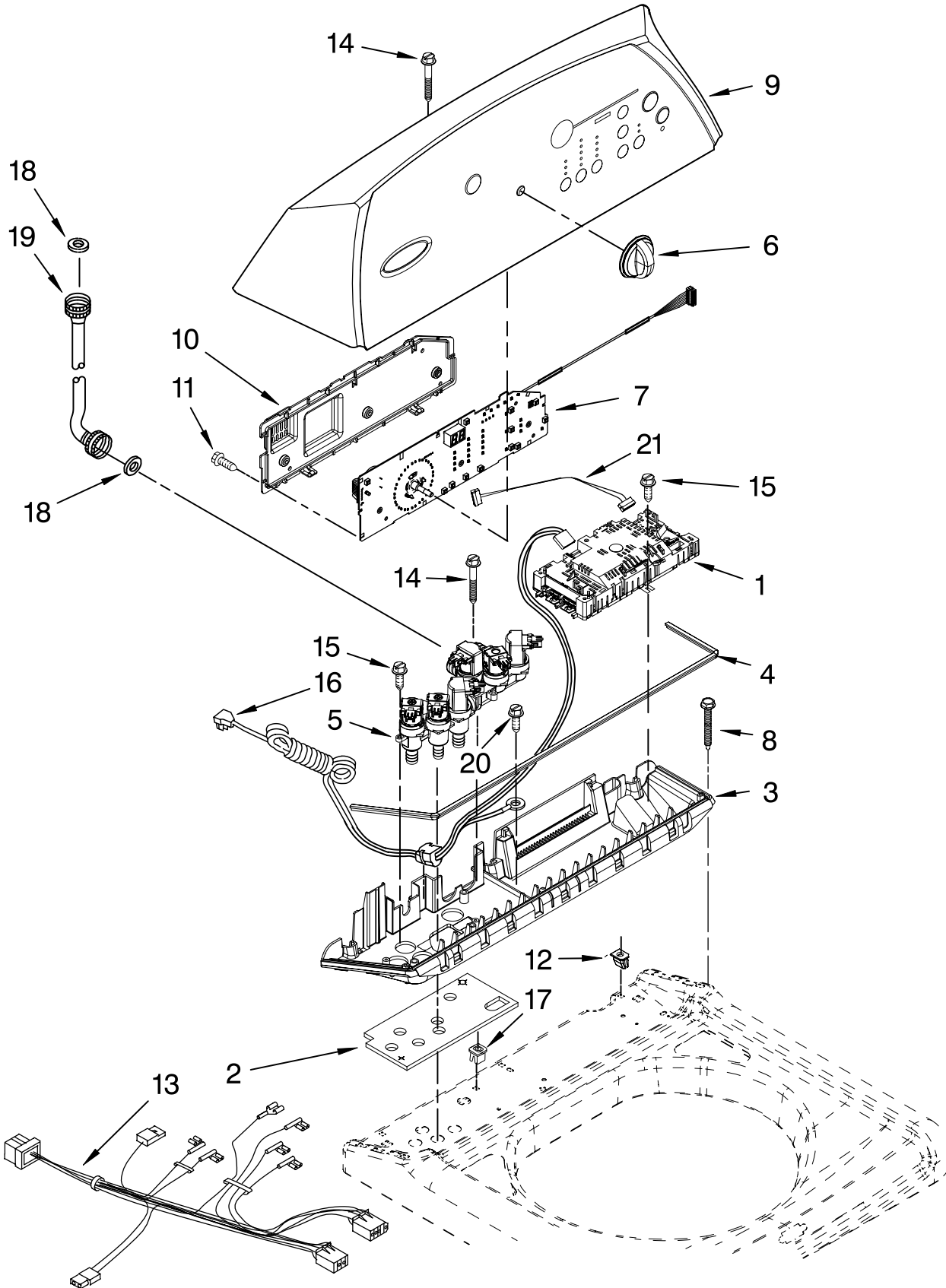
For Model: WTW6200SW2  
(White)

Illus. No.	Part No.	DESCRIPTION	Illus. No.	Part No.	DESCRIPTION	Illus. No.	Part No.	DESCRIPTION
1		Literature Parts	12	W10042120	Locator, Top (2)	28	371503	Clamp, Hose
	W10112999	Use & Care Guide	13	355274	Screw, Lid	29	W10059230	Lock Assembly, Lid
	W10026571	Tech Sheet			Hinge	30	8572019	Bezel, Lid Lock
	8566927	Quick Start Guide			Mounting (4)	31	8564458	Absorber, Impact
	8577781	Wiring Diagram	14	8576780	Hinge Arm, Lid (2)	32	8564456	Hinge, Top (2)
	W10165663	Energy Guide	15		Hinge, Spring	33	18849	Pad, Top Hinge (2)
					Assembly	34	343641	Screw,
					(Steel Lid)			10-16 x 1/2 (2)
					(Left)	35	8563941	Cover, Harness
2	8565317	Top			(Right)	36	693995	Screw, 8-18 x 3/8
3	W10114656	Frame Assembly, Cabinet Top	16	8563785	Lock, Top-Front (2)	37	8543784	Bracket,
		(Includes Items 31 & 38)	17	W10052730	Bearing, Lid			Drain Hose
4	3390647	Screw, 8-18 X 1/2			Hinge (2)	38	8578386	Shield, Wire
5	8566156	Cabinet	18	8577353	Lid-Inner			Harness
6	8566090	Panel, Rear			(Includes Item 22)	39	8281136	Screw, 10-16 x 3/4
7	8543781	Retainer, Drain	19	8572894	Lid	40	8576476	Spacer, Rear
		Hose Storage	20	8578826	Foot Assembly,			(Cabinet/Top)
8	8576784	Sound Absorber, Cabinet			Leveling (4)	41	370451	Clamp, Hose
9	W10111536	Ball, Suspension (4)	21	W10076920	Screw (2)	42	371503	Clamp, Hose
10	8564009	Damper Assembly, Tub Suspension	22	W10076780	Bumper, Lid (2)	43	3400061	Screw,
		(Set Of 4-Includes Items 47 & 48)	23	W10059160	Dispenser, Bleach			10-16 x 9/16
11	1157158	Screw, 8-18 x 3/8	24	8566211	Bezel, Bleach	44	90016	Clip, Harness (5)
					Dispenser	45	8281736	Wire,
			25	8564976	Dispenser,			Ground Jumper
					Detergent	46	3400076	Screw, 10-32 x 5/8
			26	8576772	Bezel, Detergent	47	8577896	Washer, Suspension
					Dispenser			Umbrella (4)
			27	W10106990	Nozzle Assembly, Fresh Water	48	8564017	Cup,
								Suspension (4)

FOR ORDERING INFORMATION REFER TO PARTS PRICE LIST

# CONTROL PANEL PARTS

For Model: WTW6200SW2  
(White)



FOR ORDERING INFORMATION REFER TO PARTS PRICE LIST

# CONTROL PANEL PARTS

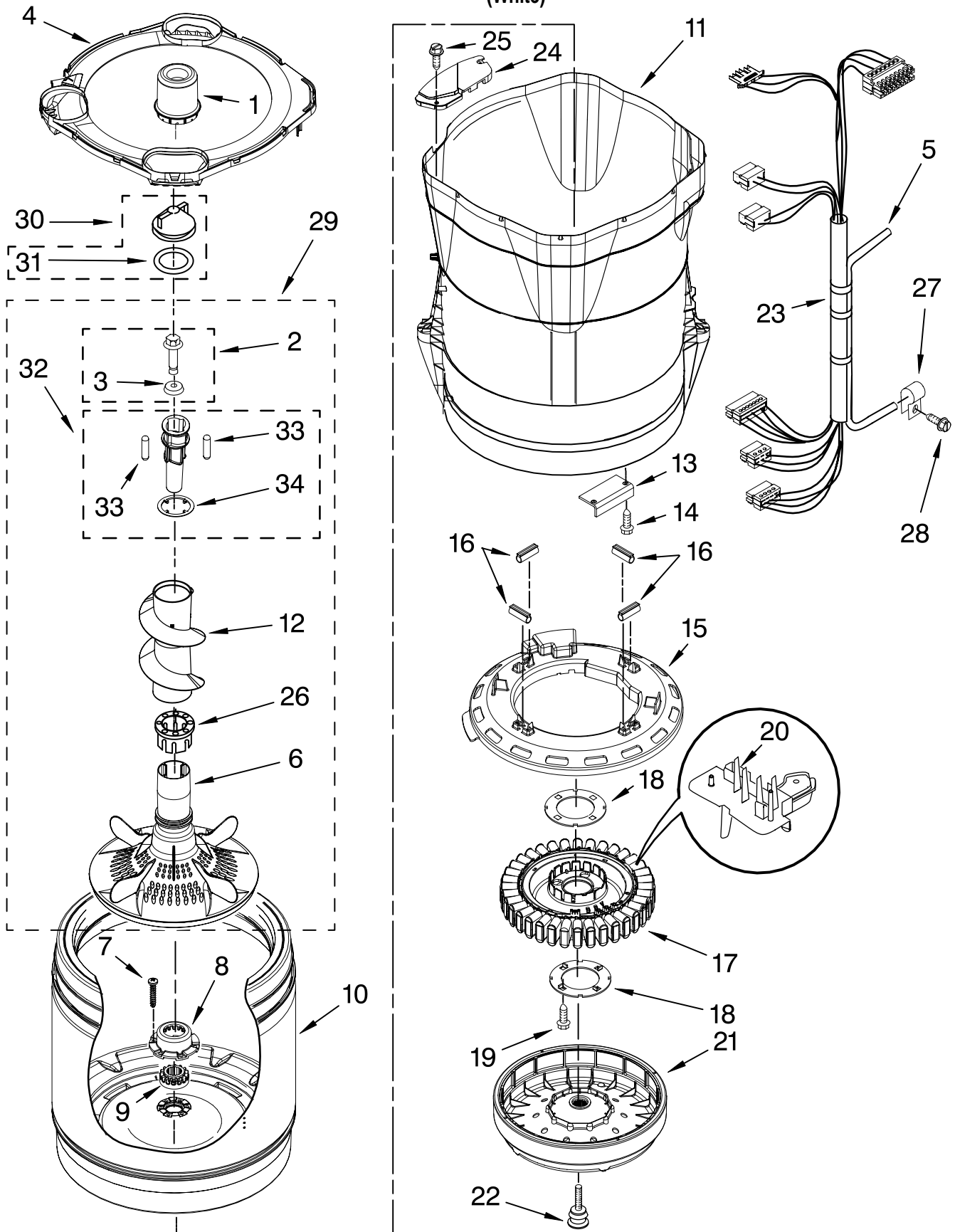
For Model: WTW6200SW2  
(White)

<b>Illus. No.</b>	<b>Part No.</b>	<b>DESCRIPTION</b>
1	W10112113	Control Unit Assembly, Machine & Motor
2	8565260	Gasket, Valve Tray
3	8565304	Tray Assembly, Console (Includes Items 2 & 4)
4	8565259	Gasket, Console/Tray
5	W10059310	Valve, Log Assembly
6	8574957	Knob, Control
7	8564288	User Interface
8	W10004990	Screw, 6-20 x 1.2
9	W10118482	Console
10	8564265	Cover, Rear- User Interface
11	W10003770	Screw, 6-19 x 1/2 (3)
12	W10022060	Nut, Push-In (3)
13	W10045090	Harness, Upper
14	8565324	Screw, 10-16 x 1.75
15	8281136	Screw, 8-18 x 3/4
16	3407203	Cord Assembly, Power
17	98460	Nut, Push-In (2)
18	3976300	Washer, Water Inlet Hose (1-1/16 x 5/8)(4)
19		Hose, Water Inlet
	8571377	Blue Coupler
	8571378	Red Coupler
20	488649	Screw, Power Cord Ground
21	3407187	Harness, Thermistor

FOR ORDERING INFORMATION REFER TO PARTS PRICE LIST

# MOTOR, BASKET AND TUB PARTS

For Model: WTW6200SW2  
(White)



FOR ORDERING INFORMATION REFER TO PARTS PRICE LIST

# MOTOR, BASKET AND TUB PARTS

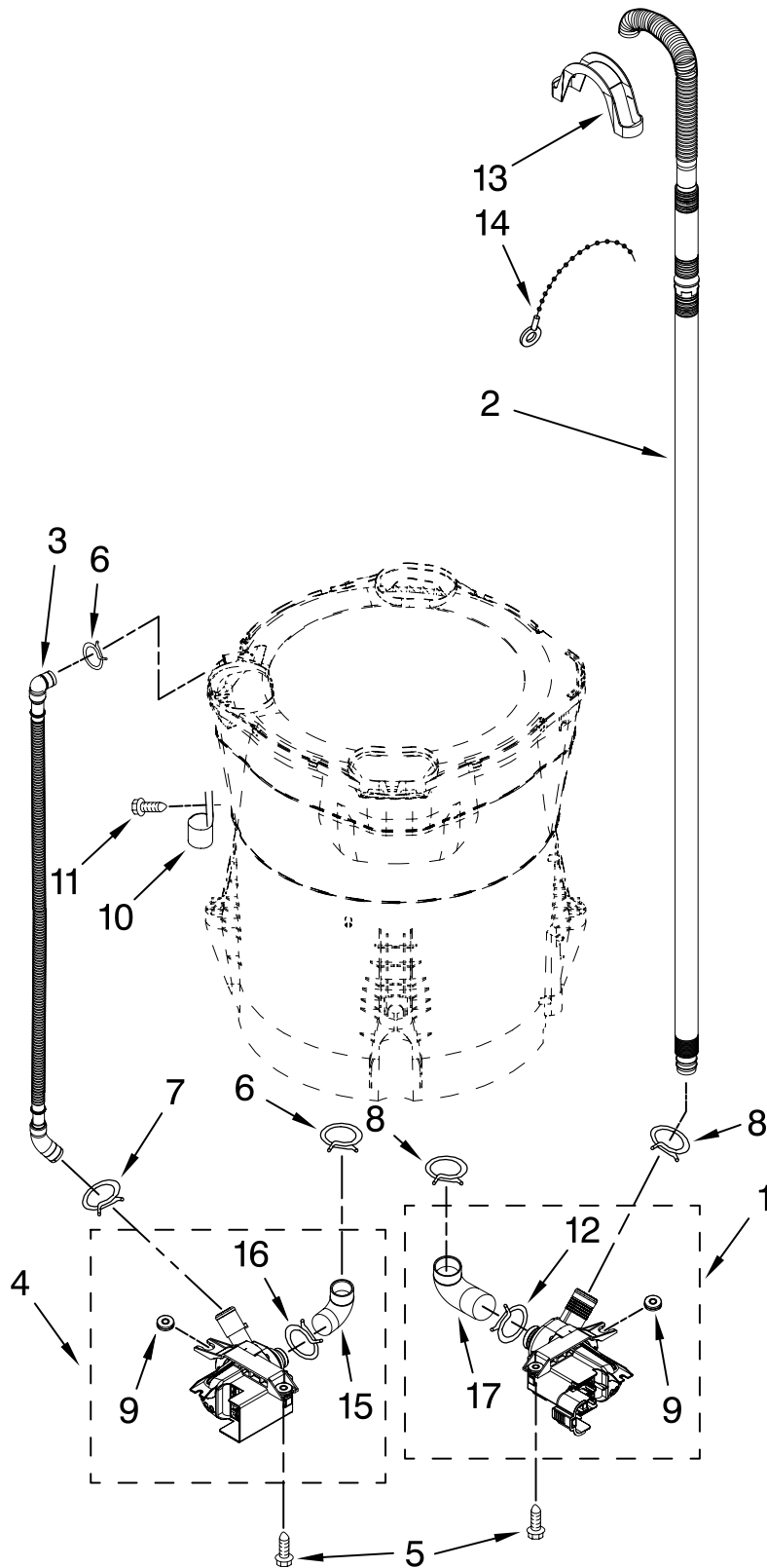
For Model: WTW6200SW2  
(White)

Illus. No.	Part No.	DESCRIPTION	Illus. No.	Part No.	DESCRIPTION	Illus. No.	Part No.	DESCRIPTION
1	8566491	Dispenser, Fabric Softener	12	8577284	Auger, Agitator	22		Bolt, Rotor Assembly
2	W10076270	Screw & Washer Assembly	13	8542674	Weight, Tub Counterbalance			Non-Serviceable (Supplied W/Rotor)
3	W10076260	Washer	14	W10004910	Screw, 12-16 x 1-1/4 (2)	23	W10058730	Harness, Lower (Includes Item 5)
4	W10108420	Tub Ring	15	8557839	Shield, Drive Motor (Includes Item 16)	24	8566197	Filter, Dual Pump Hood
5	8572540	Hose Pressure Switch	16	8565172	Tube, Buffer (Set Of 4)	25	8533928	Screw, 8-18 x 3/4 (2)
6	W10076190	Agitator	17	8565170	Stator, Motor (Includes Item 18)	26	8566279	Spacer-Thrust
7	8533953	Screw, 8-16 x 1.000 (6)	18	8557836	Plate, Stator (Set Of 2)	27	W10005430	Clamp, Pressure Hose Retainer
8	W10118114	Hub, Basket-Driven (Includes Item 9)	19	W10076010	Screw, 1/4-20 x .968 (4)	28	8533957	Screw, 10-16 x 1/2
9	8545953	Hub, Basket-Driver (Includes Item 8)	20	8565188	RPS Assembly	29	W10076310	Agitator, Assembly (Complete)
10	W10118180	Basket Assembly (Includes Items 7, 8, & 9)	21	8565177	Rotor, Main Drive Motor (Includes Item 22)	30	W10074580	Cap, Barrier
11	8572660	Tub & Drive Shaft Assembly				31	W10072840	Seal, Inner Cap
						32	W10076210	Cam, Agitator
						33	8558884	Roller, Agitator Cam (Set of 4)
						34	8578563	Spacer, Thrust-Cam

FOR ORDERING INFORMATION REFER TO PARTS PRICE LIST

# PUMP PARTS

For Model: WTW6200SW2  
(White)



Illus. No.	Part No.	DESCRIPTION
1	W10049390	Pump Assembly, Drain
2	8571715	Hose, Drain
3	8543774	Hose, Recirc
4	W10049400	Pump Assembly, Recirc
5	8534063	Screw, 10-14 x 1.000
6	370449	Clamp, Hose
7	8269146	Clamp, Hose
8	8317496	Clamp, Hose
9	8182771	Grommet, Pump Mounting (4)
10	8534021	Clamp, Recirc Hose Retainer
11	8533943	Screw, 10-16 x 3/4
12	8182768	Clamp, Drain Pump Hose
13	8576642	Retainer, Drain Hose
14	3347868	Cable Tie
15	8182769	Hose, Recirc Pump
16	8182770	Clamp, Recirc Pump Hose
17	8182767	Hose, Drain Pump

# OPTIONAL PARTS (NOT INCLUDED)

For Model: WTW6200SW2  
(White)

<b>Illus. No.</b>	<b>Part No.</b>	<b>DESCRIPTION</b>
-------------------	-----------------	--------------------

## PAINT, TOUCH-UP (1/2oz.)

72017 White

## PAINT, PRESSURIZED SPRAY (12 oz.)

350938 Primer, Gray  
350930 White

## PAINT, BULK (1 qt.)

799344 White (Uncut)

## WATER SYSTEM PARTS

285442 Connector Kit,  
Plastic Drain  
Hose  
285321 Sleeve Kit,  
(Contains 2  
Sleeves)  
285320 Siphon Break Kit  
367031 Drain Protector

## SEALER

285195 Sealer, Gasket  
(.20 Fl. Oz.) (6 ml)

## COUPLING

384496 Coupling, Hose