



**Overhead Gym**



**Tummy Time  
Fun**

# Consumer Information



## WARNING

To prevent entanglement injury, never place gym in a crib or playpen. Never add strings, ties or other products to gym.

- Please keep this instruction sheet for future reference, as it contains important information.
- Requires two "AAA" (LR03) **alkaline** batteries (not included) for musical flower toy operation.
- Tool required for battery installation: Phillips screwdriver (not included).
- Wash the quilt in cold water on the gentle cycle. Do not use bleach. Tumble dry low.
- Wipe the tubes, hub, and toys with a clean cloth dampened with a mild soap and water solution. Do not use bleach.
- Do not immerse the musical flower toy.

## FCC Statement (United States Only)

This equipment has been tested and found to comply with the limits for a Class B digital device, pursuant to Part 15 of the FCC Rules. These limits are designed to provide reasonable protection against harmful interference in a residential installation. This equipment generates, uses and can radiate radio frequency energy and, if not installed and used in accordance with the instructions, may cause harmful interference to radio communications. However, there is no guarantee that interference will not occur in a particular installation. If this equipment does cause harmful interference to radio or television reception, which can be determined by turning the equipment off and on, the user is encouraged to try to correct the interference by one or more of the following measures:

- Reorient or relocate the receiving antenna.
- Increase the separation between the equipment and receiver.
- Consult the dealer or an experienced radio/TV technician for help.

Note: Changes or modifications not expressly approved by the manufacturer responsible for compliance could void the user's authority to operate the equipment.

This device complies with Part 15 of the FCC Rules. Operation is subject to the following two conditions: (1) this device may not cause harmful interference and (2) this device must accept any interference received, including interference that may cause undesired operation.

## ICES-003

This Class B digital apparatus complies with Canadian ICES-003.

Operation is subject to the following two conditions: (1) this device may not cause harmful interference and (2) this device must accept any interference received, including interference that may cause undesired operation.

## NMB-003

Cet appareil numérique de la classe B est conforme à la norme NMB-003 du Canada.

L'utilisation de ce dispositif est autorisée seulement aux conditions suivantes : (1) il ne doit pas produire de brouillage et (2) l'utilisateur du dispositif doit être prêt à accepter tout brouillage radioélectrique reçu, même si ce brouillage est susceptible de compromettre le fonctionnement du dispositif.



## CONSUMER ASSISTANCE

1-800-432-5437 (US & Canada)  
1300 135 312 (Australia)

[www.service.fisher-price.com](http://www.service.fisher-price.com)

Fisher-Price, Inc., 636 Girard Avenue, East Aurora, NY 14052.  
Hearing-impaired consumers: 1-800-382-7470.

Outside the United States:

Canada: Mattel Canada Inc., 6155 Freemont Blvd.,  
Mississauga, Ontario L5R 3W2; [www.service.mattel.com](http://www.service.mattel.com).

Great Britain: [Mattel UK Ltd, Vanwall Business Park,  
Maidenhead SL6 4UB. Helpline: 01628 500303.  
\[www.service.mattel.com/uk\]\(http://www.service.mattel.com/uk\)](http://www.service.mattel.com/uk)

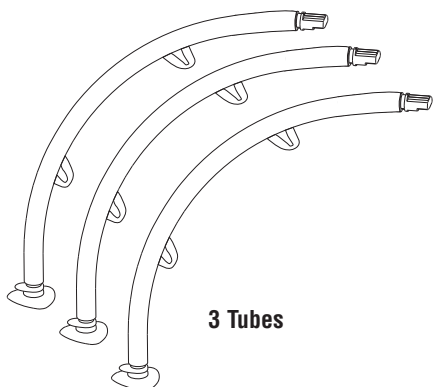
Australia: Mattel Australia Pty. Ltd., 658 Church Street,  
Locked Bag #870, Richmond, Victoria 3121 Australia.

New Zealand: 16-18 William Pickering Drive,  
Albany 1331, Auckland.

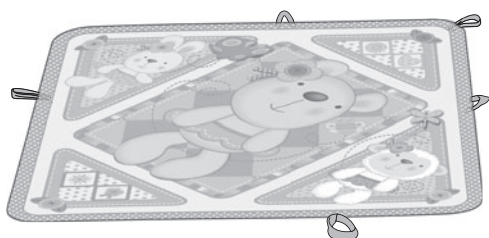
## Parts



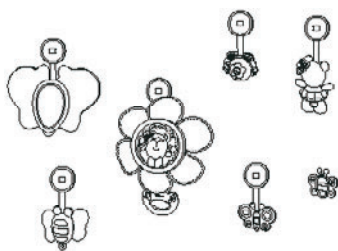
Hub



3 Tubes

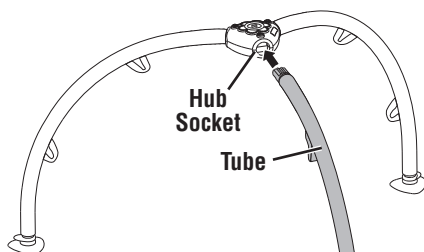


Quilt



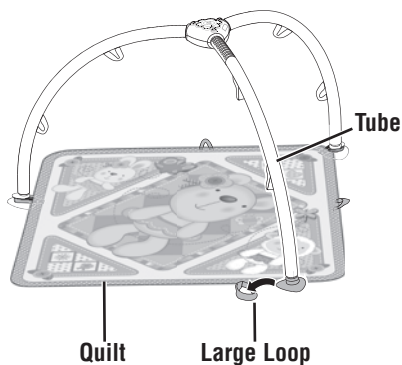
7 Toys

## Setup



1

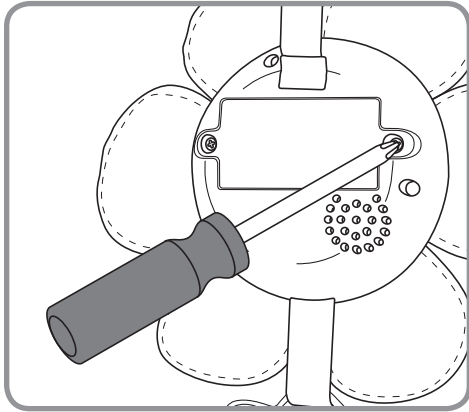
- Insert and **"snap"** each tube into the sockets in the hub.



2

- Lay the quilt out on a flat surface with the decorated side up.
- Fit the end of each tube through the large loops on the quilt. Make sure the loop is fitted below the tab on each tube.

# Battery Installation



- Locate the battery compartment on the back of the musical flower toy.
- Loosen the screws in the battery compartment door with a Phillips screwdriver. Remove the battery compartment door.
- Insert two "AAA" (LR03) **alkaline** batteries, as indicated inside the battery compartment.

**Hint:** We recommend the use of **alkaline** batteries for longer battery life.

- Replace the battery compartment door and tighten the screws with a Phillips screwdriver. Do not over-tighten.
- If this toy begins to operate erratically, you may need to reset the electronics. Remove the batteries and replace them back in the toy.
- When sounds from this toy become faint or stop, it is time for an adult to change the batteries!



- Protect the environment by not disposing of this product with household waste (2002/96/EC). Check your local authority for recycling advice and facilities (Europe only).

# Battery Safety Information



**In exceptional circumstances, batteries may leak fluids that can cause a chemical burn injury or ruin your product. To avoid battery leakage:**

- Do not mix old and new batteries or batteries of different types: alkaline, standard (carbon-zinc) or rechargeable (nickel-cadmium).
- Insert batteries as indicated inside the battery compartment.
- Remove batteries during long periods of non-use. Always remove exhausted batteries from the product. Dispose of batteries safely. Do not dispose of product in a fire. The batteries inside may explode or leak.
- Never short-circuit the battery terminals.
- Use only batteries of the same or equivalent type, as recommended.
- Do not charge non-rechargeable batteries.
- Remove rechargeable batteries from the product before charging.
- If removable, rechargeable batteries are used, they are only to be charged under adult supervision.

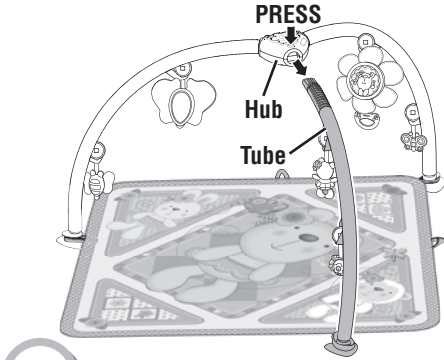
# Musical Playtime Fun

Hang or hook the toys from any of the loops around the gym or quilt.

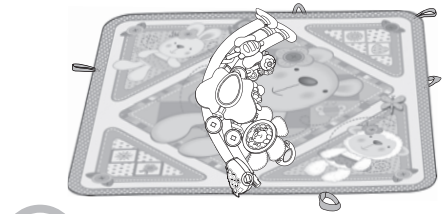
Pull the handle on the musical flower toy for fun tunes.



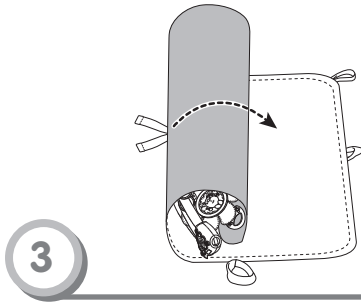
# Storage



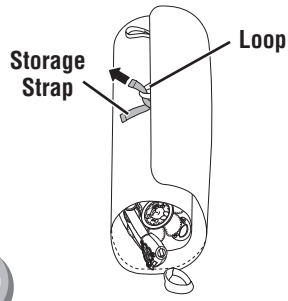
- Press a button on top of the hub. Pull to remove the tube. Repeat this process to remove the other tubes from the hub..
- Remove the tubes from the loops on the quilt.



- Place the tubes, hub and toys in the center of the quilt, as shown.



- Roll the quilt, as shown.



- Fit one of the storage straps through the loop.
- Tie the storage straps to hold the quilt in place.