

CHICAGO
Electric® Power Tools

7-1/4 INCH CIRCULAR SAW

Model 94245

ASSEMBLY AND OPERATING INSTRUCTIONS



Due to continuing improvements, actual product may differ slightly from the product described herein.



3491 Mission Oaks Blvd., Camarillo, CA 93011

Visit our Web site at <http://www.harborfreight.com>

**TO PREVENT SERIOUS INJURY,
READ AND UNDERSTAND ALL WARNINGS
AND INSTRUCTIONS BEFORE USE.**

Copyright© 2006 by Harbor Freight Tools®. All rights reserved. No portion of this manual or any artwork contained herein may be reproduced in any shape or form without the express written consent of Harbor Freight Tools.

For technical questions and replacement parts, please call 1-800-444-3353.

SPECIFICATIONS

Power Consumption	120 VAC, 60 Hz, 10 peak amps
Motor	5000 RPM, direct drive
Line Cord	18 AWG x 2, UL listed, two-prong polarized plug
Saw Blade	7-1/4 inches; 24 tooth carbide tipped (included)
Cutting Capacity	2.5 inches at 90°; 1.7 inches at 45°
Arbor	5/8 inch; Spindle lock
Accessories	Blade removal hex wrench
Features	Automatic guard return; Side handle
Weight	8.6 lbs.
Toe Plate Dimensions	10-5/8 (L) x 5-3/8 (W) inches
Overall Dimensions	11-3/4 (L) x 9-5/8 (W) x 9-1/4 (H) inches



SAVE THIS MANUAL

You will need the manual for the safety warnings and precautions, assembly instructions, operating and maintenance procedures, parts list and diagram. Keep your invoice with this manual. Write the invoice number on the inside of the front cover. Keep the manual and invoice in a safe and dry place for future reference.

GENERAL SAFETY RULES

 **WARNING!**

READ AND UNDERSTAND ALL INSTRUCTIONS. Failure to follow all instructions listed below may result in electric shock, fire, and/or serious injury.

SAVE THESE INSTRUCTIONS

Work Area

1. **Keep your work area clean and well lit.** Cluttered benches and dark areas invite accidents.
2. **Do not operate power tools in explosive atmospheres, such as in the presence of flammable liquids, gases, or dust.** Power tools create sparks which may ignite the dust or fumes.
3. **Keep bystanders, children, and visitors away while operating a power tool.**

Distractions can cause you to lose control. Protect others in the work area from debris such as chips and sparks. Provide barriers or shields as needed.

Electrical Safety

4. **Avoid body contact with grounded surfaces such as pipes, radiators, ranges, and refrigerators.** There is an increased risk of electric shock if your body is grounded.
5. **Do not expose power tools to rain or wet conditions.** Water entering a power tool will increase the risk of electric shock.
6. **Grounded tools must be plugged into an outlet properly installed and grounded in accordance with all codes and ordinances. Never remove the grounding prong or modify the plug in any way. Do not use any adapter plugs. Check with a qualified electrician if you are in doubt as to whether the outlet is properly grounded.** If the tools should electrically malfunction or break down, grounding provides a low resistance path to carry electricity away from the user.
7. **Double insulated tools are equipped with a polarized plug (one blade is wider than the other). This plug will fit in a polarized outlet only one way. If the plug does not fit fully in the outlet, reverse the plug. If it still does not fit, contact a qualified electrician to install a polarized outlet. Do not change the plug in any way.** Double insulation eliminates the need for the three wire grounded power cord and grounded power supply system.
8. **Do not abuse the Power Cord. Never use the Power Cord to carry the tools or pull the Plug from an outlet. Keep the Power Cord away from heat, oil, sharp edges, or moving parts. Replace damaged Power Cords immediately.** Damaged Power Cords increase the risk of electric shock.
9. **When operating a power tool outside, use an outdoor extension cord marked “W-A” or “W”.** These extension cords are rated for outdoor use, and reduce the risk of electric shock.

Personal Safety

10. **Stay alert. Watch what you are doing, and use common sense when operating a power tool. Do not use a power tool while tired or under the influence of drugs, alcohol, or medication.** A moment of inattention while operating power tools may result in serious personal injury.
11. **Dress properly. Do not wear loose clothing or jewelry. Contain long hair. Keep your hair, clothing, and gloves away from moving parts.** Loose clothes, jewelry, or long hair can be caught in moving parts.
12. **Avoid accidental starting. Be sure the Power Switch is off before plugging in.** Carrying power tools with your finger on the Power Switch, or plugging in power tools with the Power Switch on, invites accidents.
13. **Remove adjusting keys or wrenches before turning the power tool on.** A wrench or a key that is left attached to a rotating part of the power tool may result in personal injury.

14. **Do not overreach. Keep proper footing and balance at all times.** Proper footing and balance enables better control of the power tool in unexpected situations.
15. **Use safety equipment. Always wear eye protection.** Dust mask, nonskid safety shoes, hard hat, or hearing protection must be used for appropriate conditions.

Tool Use and Care

16. **Use clamps (not included) or other practical ways to secure and support the workpiece to a stable platform.** Holding the work by hand or against your body is unstable and may lead to loss of control.
17. **Do not force the tool. Use the correct tool for your application.** The correct tool will do the job better and safer at the rate for which it is designed.
18. **Do not use the power tool if the Power Switch does not turn it on or off.** Any tool that cannot be controlled with the Power Switch is dangerous and must be replaced.
19. **Disconnect the Power Cord Plug from the power source before making any adjustments, changing accessories, or storing the tool.** Such preventive safety measures reduce the risk of starting the tool accidentally.
20. **Keep idle tools out of reach of children and other untrained persons.** Tools are dangerous in the hands of untrained users.
21. **Maintain tools with care. Keep cutting tools sharp and clean.** Properly maintained tools with a sharp cutting edge are less likely to bind and are easier to control. Do not use a damaged tool. Tag damaged tools “Do not use” until repaired.
22. **Check for misalignment or binding of moving parts, breakage of parts, and any other condition that may affect the tool’s operation. If damaged, have the tool serviced before using.** Many accidents are caused by poorly maintained tools.
23. **Use only accessories that are recommended by the manufacturer for your model.** Accessories that may be suitable for one tool may become hazardous when used on another tool.

Service

24. **Tool service must be performed only by qualified repair personnel.** Service or maintenance performed by unqualified personnel could result in a risk of injury.
25. **When servicing a tool, use only identical replacement parts. Follow instructions in the “*Inspection, Maintenance, And Cleaning*” section of this manual.** Use of unauthorized parts or failure to follow maintenance instructions may create a risk of electric shock or injury.

SPECIFIC SAFETY RULES FOR THIS PRODUCT

1. **DANGER! Keep hands away from cutting area and blade. Keep your second hand on auxiliary handle or motor housing.** If both hands are holding the saw, they cannot be cut by the blade. **Keep your body positioned to either side of the saw blade, but not in line with the saw blade.** Kickback could cause the saw to jump backwards. (See Kickback.) **Do not reach underneath the work.** The guard cannot protect you from the blade below the work.
2. **Check lower guard for proper closing before each use. Do not operate saw if lower guard does not move freely and close instantly. Never clamp or tie the lower guard into the open position.** If saw is accidentally dropped, lower guard may be bent. With the power to the saw disconnected, raise the lower guard with the Retracting Handle and make sure it moves freely and does not touch the blade or any other part, in all angles and depths of cut.
3. **Check the operation and condition of the lower guard spring. If the guard and the spring are not operating properly, they must be serviced before use.** Lower guard may operate sluggishly due to damaged parts, gummy deposits, or a buildup of debris.
4. **Lower guard should be retracted manually only for special cuts such as “Pocket Cuts” and “Compound Cuts.” Raise lower guard by Retracting Handle. As soon as blade enters the material, lower guard must be released.** For all other sawing, the lower guard should operate automatically.
5. **Always observe that the lower guard is covering the blade before placing saw down on bench or floor.** An unprotected, coasting blade will cause the saw to walk backwards, cutting whatever is in its path. Be aware of the time it takes for the blade to stop after switch is released.
6. **NEVER hold piece being cut in your hands or across your leg.** It is important to support the work properly to minimize body exposure, blade binding, or loss of control. Use vises, clamps, or other appropriate supports to securely hold the workpiece.
7. **Hold tool by insulated gripping surfaces when performing an operation where the cutting tool may contact hidden wiring.** Contact with a “live” wire will also make exposed metal parts of the tool “live” and shock the operator.
8. **When ripping always use a rip fence or straight edge guide.** This improves the accuracy of cut and reduces the chance for blade binding.
9. **Always use blades with correct size and shape (diamond vs. round) arbor holes.** Blades that do not match the mounting hardware of the saw will run eccentrically, causing loss of control.
10. **Never use damaged or incorrect blade washers or bolts.** The blade washers and bolt were specially designed for your saw, for optimum performance and safety of operation.

11. **Causes and Operator Prevention of Kickback:** Kickback is a sudden reaction to a pinched, bound, or misaligned saw blade, causing an uncontrolled saw to lift up and out of the workpiece toward the operator. When the blade is pinched or bound tightly by the kerf closing down, the blade stalls and the motor reaction drives the unit rapidly back toward the operator.

If the blade becomes twisted or misaligned in the cut, the teeth at the back edge of the blade can dig into the top surface of the wood causing the blade to climb out of the kerf and jump back toward the operator. Kickback is the result of tool misuse and/or incorrect operating procedures or conditions and can be avoided by taking proper precautions as given below:
12. **Maintain a firm grip on the saw and position your body and arm in a way that allows you to resist kickback forces.** Kickback forces can be controlled by the operator, if proper precautions are taken.
13. **When blade is binding, or when interrupting a cut for any reason, release the trigger and hold the saw motionless in the material until the blade comes to a complete stop. Never attempt to remove the saw from the work or pull the saw backward while the blade is in motion or kickback may occur.** Investigate and take corrective actions to eliminate the cause of blade binding.
14. **When restarting a saw in the workpiece, center the saw blade in the kerf and check that teeth are not engaged into the material.** If saw blade is binding, it may walk up or kickback from the workpiece as the saw is restarted.
15. **Support large panels to minimize the risk of blade pinching and kickback.** Large panels tend to sag under their own weight. Supports must be placed under the panel on both sides, near the line of cut and near the edge of the panel.
16. **Do not use dull or damaged blade.** Unsharpened or improperly set blades produce narrow kerf causing excessive friction, blade binding, and kickback.
17. **Blade depth and bevel adjusting locking levers must be tight and secure before making cut.** If blade adjustment shifts while cutting, it will cause binding and kickback.
18. **Use extra caution when making a “Pocket Cut” into existing walls or other blind areas.** The protruding blade may cut objects that can cause kickback.
19. **Maintain labels and nameplates on the Circular Saw.** These carry important information. If unreadable or missing, contact Harbor Freight Tools for a replacement.
20. **Always wear ANSI-approved safety impact eye goggles and heavy work gloves when using the Circular Saw.** Using personal safety devices reduce the risk for injury. Safety impact eye goggles and heavy work gloves are available from Harbor Freight Tools.
21. **Maintain a safe working environment.** Keep the work area well lit. Make sure there is adequate surrounding workspace. Always keep the work area free of obstructions, grease, oil, trash, and other debris. Do not use a power tool in areas near flammable chemicals, dusts, and vapors. Do not use this product in a damp or wet location.
22. **Avoid unintentional starting.** Make sure you are prepared to begin work before turning on the Circular Saw.

23. **Do not force the Circular Saw.** This tool will do the work better and safer at the speed and capacity for which it was designed.
24. **Always unplug the Circular Saw from its electrical outlet before performing any inspection, maintenance, or cleaning procedures.**
25. **Never leave the Circular Saw unattended while running.** Turn power off if you have to leave the Circular Saw.
26. **Before each use, check all nuts, bolts, and screws for tightness.**
27. **Keep extension cord off the ground and away from water.**
28. **Always connect the Line Cord to a Ground protected electrical outlet.**
29. **WARNING! People with pacemakers should consult their physician(s) before using this product.** Electromagnetic fields in close proximity to a heart pacemaker could cause interference to or failure of the pacemaker. In addition, people with pacemakers should adhere to the following:
 - Avoid operating power tools alone.
 - Don't use a power tool with the power switch locked on.
 - Be certain that the tool is properly grounded. A ground fault interrupt (GFCI) system is also a good precaution. This inexpensive device is a good safety measure because it prevents a sustained electrical shock.
 - Properly maintain and inspect all tools before use to avoid electrical shock.
30. Some dust created by power sanding, sawing, grinding, drilling, and other construction activities, contains chemicals known (to the State of California) to cause cancer, birth defects or other reproductive harm. Some examples of these chemicals are: lead from lead-based paints, crystalline silica from bricks and cement or other masonry products, arsenic and chromium from chemically treated lumber. Your risk from these exposures varies, depending on how often you do this type of work. To reduce your exposure to these chemicals: work in a well ventilated area, and work with approved safety equipment, such as those dust masks that are specially designed to filter out microscopic particles. (California Health & Safety Code § 25249.5, *et seq.*)

GROUNDING

 **WARNING!**

Improperly connecting the grounding wire can result in the risk of electric shock. Check with a qualified electrician if you are in doubt as to whether the outlet is properly grounded. Do not modify the power cord plug provided with the tool or product. Never remove the grounding prong from the plug. Do not use the tool if the power cord or plug is damaged. If damaged, have it repaired by a service facility before use. If the plug will not fit the outlet, have a proper outlet installed by a qualified electrician.

Grounded Tools with Three Prong Plugs

1. Tools marked with “Grounding Required” have a three wire cord and three prong grounding plug. The plug must be connected to a properly grounded outlet. If the tool should electrically malfunction or break down, grounding provides a low resistance path to carry electricity away from the user, reducing the risk of electric shock. (See Figure A.)
2. The grounding prong in the plug is connected through the green wire inside the cord to the grounding system in the tool. The green wire in the cord must be the only wire connected to the tool’s grounding system and must never be attached to an electrically “live” terminal. (See Figure A.)
3. Your tool must be plugged into an appropriate outlet, properly installed and grounded in accordance with all codes and ordinances. The plug and outlet should look like those in the following illustration. (See Figure A.)

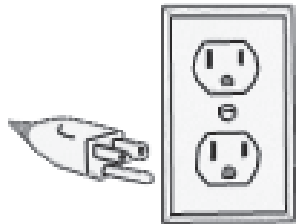


Figure A

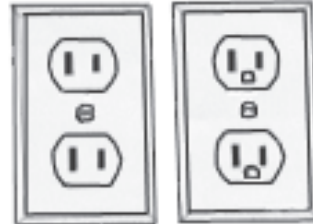


Figure B

Double Insulated Tools with Two Prong Plugs

4. This product has a polarized plug (one blade is wider than the other) as a feature to reduce the risk of electric shock. This plug will fit in a polarized outlet only one way. If the plug does not fit fully in the outlet, reverse the plug. If it still does not fit, contact a qualified electrician. Never use with an extension cord unless plug can be fully inserted. Do not alter the plug.”
5. Tools marked “Double Insulated” do not require grounding. They have a special double insulation system which satisfies OSHA requirements and complies with the applicable standards of Underwriters Laboratories, Inc., the Canadian Standard Association, and the National Electrical Code. (See Figure B above.)
6. Double insulated tools may be used in either of the 120 volt outlets shown in the following illustration. (See Figure B above.)

EXTENSION CORDS

1. Grounded tools require a three wire extension cord. Double Insulated tools can use either a two or three wire extension cord.
2. As the distance from the supply outlet increases, you must use a heavier gauge extension cord. Using extension cords with inadequately sized wire causes a serious drop in voltage, resulting in loss of power and possible tool damage. (See Table A.)

3. The smaller the gauge number of the wire, the greater the capacity of the cord. For example, a 14 gauge cord can carry a higher current than a 16 gauge cord. (See Table A.)
4. When using more than one extension cord to make up the total length, make sure each cord contains at least the minimum wire size required. (See Table A.)
5. If you are using one extension cord for more than one tool, add the nameplate amps and use the sum to determine the required minimum cord size. (See Table A.)
6. If you are using an extension cord outdoors, make sure it is marked with the suffix “W-A” (“W” in Canada) to indicate it is acceptable for outdoor use.
7. Make sure your extension cord is properly wired and in good electrical condition. Always replace a damaged extension cord or have it repaired by a qualified electrician before using it.
8. Protect your extension cords from sharp objects, excessive heat, and damp or wet areas.




Table A

RECOMMENDED MINIMUM WIRE GAUGE FOR EXTENSION CORDS* (120 VOLT)					
NAMEPLATE AMPERES (At Full Load)	EXTENSION CORD LENGTH				
	25 Feet	50 Feet	75 Feet	100 Feet	150 Feet
0 – 2.0	18	18	18	18	16
2.1 – 3.4	18	18	18	16	14
3.5 – 5.0	18	18	16	14	12
5.1 – 7.0	18	16	14	12	12
7.1 – 12.0	16	14	12	10	-
12.1 – 16.0	14	12	10	-	-
16.1 – 20.0	12	10	-	-	-

* Based on limiting the line voltage drop to five volts at 150% of the rated amperes.

SYMBOLOLOGY

Table B

	Double Insulated
	Canadian Standards Association
	Underwriters Laboratories, Inc.
V ~	Volts Alternating Current
A	Amperes
ⁿ o <u>xxxx</u> /min.	No Load Revolutions per Minute (RPM)

UNPACKING

When unpacking, check to make sure that the following parts are included: Circular Saw, Hex Wrench, and Guide Fence. Refer to the Assembly section, and the Assembly Drawing and Parts List at the end of this manual. If any parts are missing or broken, please call Harbor Freight Tools at the number on the cover of this manual as soon as possible.

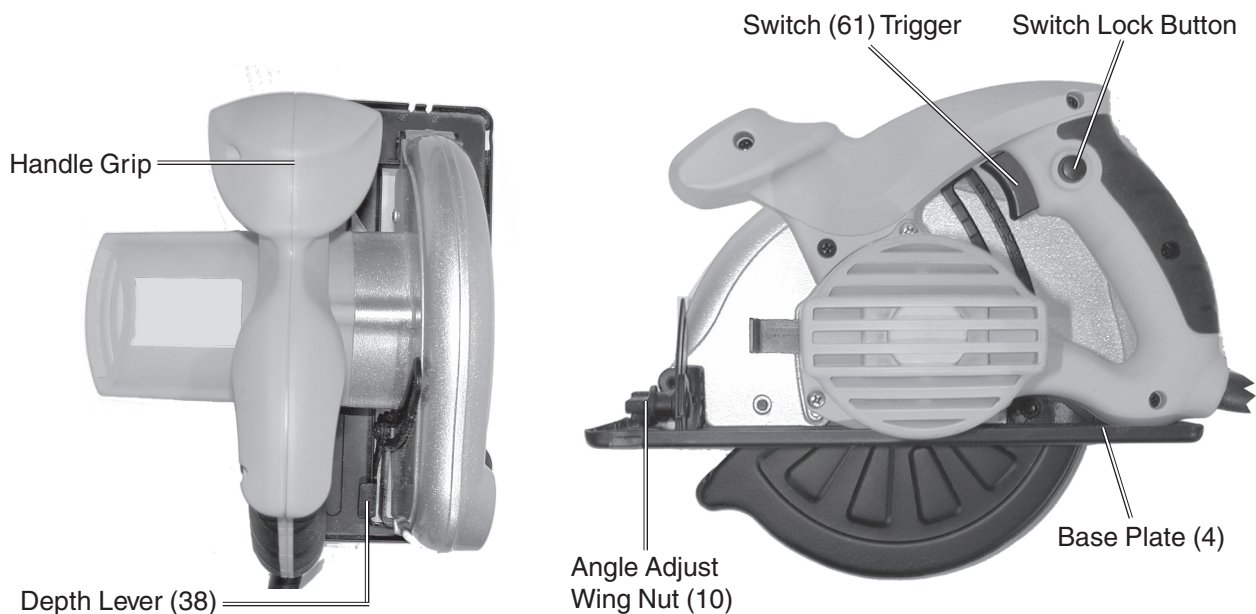
OPERATING INSTRUCTIONS

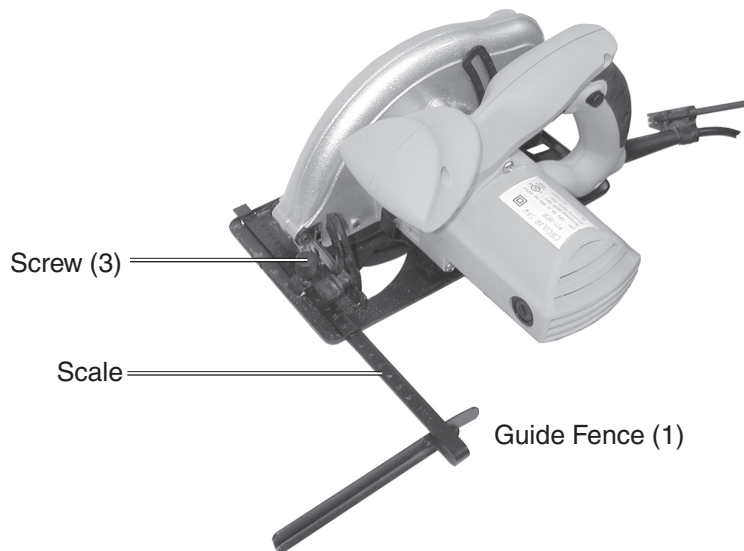
Adjusting the Saw Prior to Cutting

CAUTION: Always make sure the Power Cord is unplugged from its electrical outlet prior to making any adjustments to the tool.

1. To adjust the **angle** of blade from 0 to 45 degrees, loosen Wing Nut (10) and move Base Plate (4) down, observing the degrees indicated on the Angle Bracket (6). Tighten Wing Nut (10).
2. To adjust the **depth** of the cut, lift Depth Lever (38) and move Base Plate (4) down (or up) while observing the amount of saw blade exposed under Base Plate. Push down on the Depth Lever (38) to lock in new depth setting.

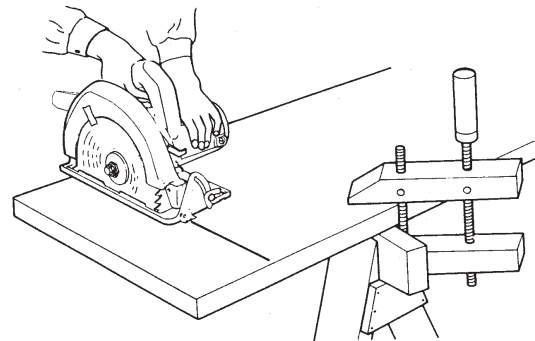
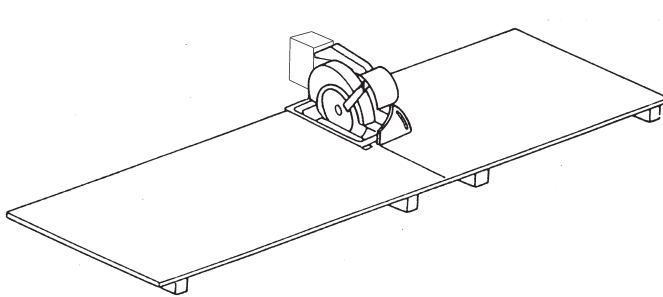
Controls and Adjustments





Prepare Material Before Cutting

1. Support large panels to minimize risk of blade pinching and saw kickback.
2. Use the supplied Guide Fence (1) when ripping material by sliding it into the Base Plate (4), and tightening Screw (3).
3. Securely clamp material to be cut to work bench.
4. Be cautious that Circular Saw does not cut into supports or workbench.
5. Use the appropriate type of blade for the material you are cutting.



General Cutting

Caution: Verify that Saw Blade (14) is securely tightened and both angle and height adjusting nuts and levers are tight. Read and understand all safety precautions listed on page 5.

1. If a straight cut is desired, slide the Guide Fence (1) into the side of the Circular Saw and tighten with Screw (3), or clamp a straight edge to the material to guide the saw on a straight path. Refer to photo above.

2. Place the saw Base Plate on the material to be cut. Align the front notch (right edge aligns with saw blade) on the cut line.
3. Hold the Circular Saw by both handles. Always keep hands and fingers away from the Saw Blade.
4. Push in and hold the Switch Lock Button, then squeeze the Switch (61) Trigger with the index finger. Do this before the saw blade touches the material.
5. With the saw at full speed, move the saw slowly forward to complete the cut.
6. When the cut is complete, release the Switch Trigger. Do not set the saw down until the blade stops turning.

POCKET CUTS

1. Tilt the saw forward with the cutting guide notch of the Base Plate on the line drawn for the cut.
2. Raise the Blade Guard (20) with the Blade Guard Lever (35).
3. With the Saw Blade just above the material to be cut, start the saw and allow the Saw Blade to come to full speed.
4. Gradually lower the Saw Blade onto the stock using the front end of the Base Plate as a pivot point.
5. When the cutting begins, release the Blade Guard.
6. When the Base Plate is resting flat on the stock being cut, proceed cutting in a forward direction to the end of the cut.
7. When the cut is complete, release the Switch Trigger and wait for the Saw Blade to come to a stop before lifting the saw out of the cut.
8. If necessary, complete the cut from the opposite direction in the same manner described above.

Caution: Never pull the saw backwards since the Saw Blade will climb out of the cut and kickback will occur.

INSPECTION, MAINTENANCE, AND CLEANING

 **WARNING!**

Make sure the Power Switch of the Circular Saw is in its “OFF” position, and that the tool is unplugged from its electrical outlet, before performing any inspection, maintenance, or cleaning procedures.

1. **Before each use**, inspect the general condition of the Circular Saw. Check for loose screws, misalignment or binding of moving parts, cracked or broken parts, damaged electrical wiring, and any other condition that may affect its safe operation. If abnormal noise or vibration occurs, have the problem corrected before further use. **Do not use damaged equipment.**

2. Before remounting the Saw Blade, remove all sawdust that has accumulated around the safety guard.
3. Regularly inspect and tighten all mounting screws and knobs.
4. Keep Saw Blade clean and sharp. Sharp blades minimize stalling and kickback.
5. Keep guards in good working order.
6. Keep motor air vent clean of dust and debris. Vacuum periodically.
7. If the tool is not operating normally, making unusual noises, or appears defective, stop using it immediately and get it repaired.
8. Clean tool with a damp cloth and light detergent. Do not use solvents as they can damage and crack the plastic parts.

Replacing the Carbon Brushes

1. Unscrew the Carbon Brush Covers (55).
2. Pull out the Carbon Brush (54) from each side of the motor and examine them.
If they are worn more than half way down, replace them. It could be that they are simply dirty. They can be cleaned using an ink eraser.
3. Replace the Carbon Brushes (54) and Covers (55).

Installing a Saw Blade

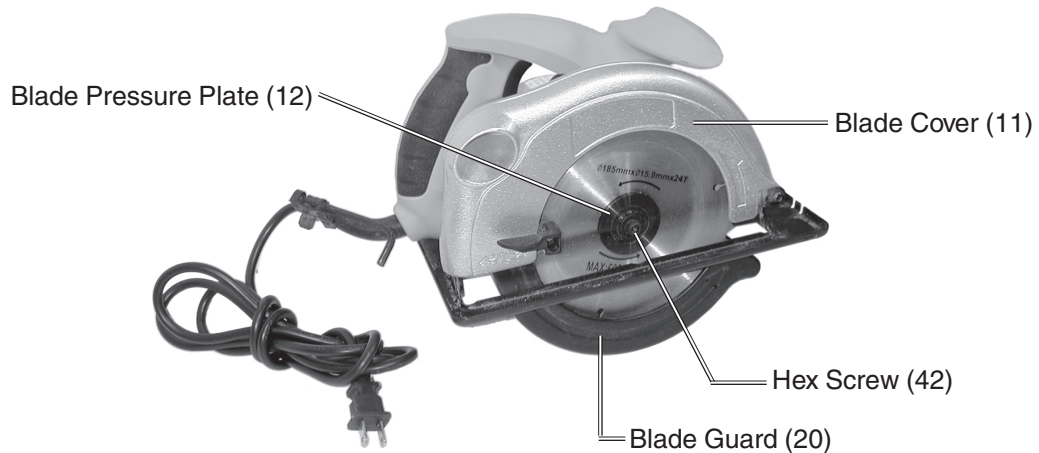
1. Use only a 7-1/4 inch Saw Blade (14). The saw blade speed rating must be at least 5000 RPM. Refer to the following table for saw blade applications and types.

APPLICATION	BLADE DESCRIPTION	NO. OF TEETH	TYPE OF CUT
Fine Trim Molding	Precision Trim Carbide	60 ~ 100	Very smooth, splinter free
Trim, Framing, Pressure Treated Decking	Combination, multi-purpose	24 ~ 60	Smooth, fast cut
Aluminum	Non-ferrous metal cutting	60 ~ 80	- - - -

2. Unplug the Circular Saw Line Cord (62) from the electrical outlet.
3. Raise the Blade Guard (20) as far as possible. See photo on the next page.
4. Hold the Blade Guard up and press the Spindle Lock Button with one hand. Rotate the Saw Blade until the Spindle Lock catches and the blade stops.
5. Using the supplied Saw Blade Hex Wrench in the other hand, loosen (clockwise) the left-hand threaded Hex Screw (42). Remove the Saw Blade Hex Screw (42), Blade Pressure Plate (12), then the Saw Blade.
6. Clean out Blade Cover (11) of any debris.

- Place the new Saw Blade over the Spindle (16) hole.

The Saw Blade teeth at the bottom of the saw blade should be pointing toward the back of the Circular Saw.



- Place the Blade Pressure Plate (12) over the Spindle hole, then insert the Hex Screw (42).
- Press the Spindle Lock Button with one hand, and tighten the Blade Screw (clockwise) using the Hex Wrench with the other hand.

TROUBLESHOOTING

Symptom	Possible Cause	Remedy
Saw does not start when trigger is pulled.	1. No power to line cord.	1. Check electrical outlet for power.
	2. Switch Lock Button not pushed in while pulling trigger.	2. Press in button while pulling trigger.
	3. Defective switch.	3. Replace switch.
	4. Carbon brushes dirty or worn down.	4. Clean or replace carbon brushes.
While cutting, saw slows down.	Carbon brushes dirty or worn down.	Clean or replace carbon brushes.
Saw blade slips while cutting.	Hex Screw (42) loose.	Securely tighten Hex Screw (42)
Blade Guard (20) sticks or does not open easily.	Debris buildup in the Blade Cover (11).	Remove Saw Blade and clean out Blade Cover (11).
Wood burns or smokes while being cut.	Saw Blade dull.	Sharpen or replace Saw Blade.

CHICAGO

Electric[®]Power Tools

LIMITED 90 DAY WARRANTY

Harbor Freight Tools Co. makes every effort to assure that its products meet high quality and durability standards, and warrants to the original purchaser that this product is free from defects in materials and workmanship for the period of ninety days from the date of purchase. This warranty does not apply to damage due directly or indirectly, to misuse, abuse, negligence or accidents, repairs or alterations outside our facilities, or to lack of maintenance. We shall in no event be liable for death, injuries to persons or property, or for incidental, contingent, special or consequential damages arising from the use of our product. Some states do not allow the exclusion or limitation of incidental or consequential damages, so the above limitation of exclusion may not apply to you. THIS WARRANTY IS EXPRESSLY IN LIEU OF ALL OTHER WARRANTIES, EXPRESS OR IMPLIED, INCLUDING THE WARRANTIES OF MERCHANTABILITY AND FITNESS.

To take advantage of this warranty, the product or part must be returned to us with transportation charges prepaid. Proof of purchase date and an explanation of the complaint must accompany the merchandise. If our inspection verifies the defect, we will either repair or replace the product at our election or we may elect to refund the purchase price if we cannot readily and quickly provide you with a replacement. We will return repaired products at our expense, but if we determine there is no defect, or that the defect resulted from causes not within the scope of our warranty, then you must bear the cost of returning the product.

This warranty gives you specific legal rights and you may also have other rights which vary from state to state.

3491 Mission Oaks Blvd. • PO Box 6009 • Camarillo, CA 93011 • (800) 444-3353

PLEASE READ THE FOLLOWING CAREFULLY

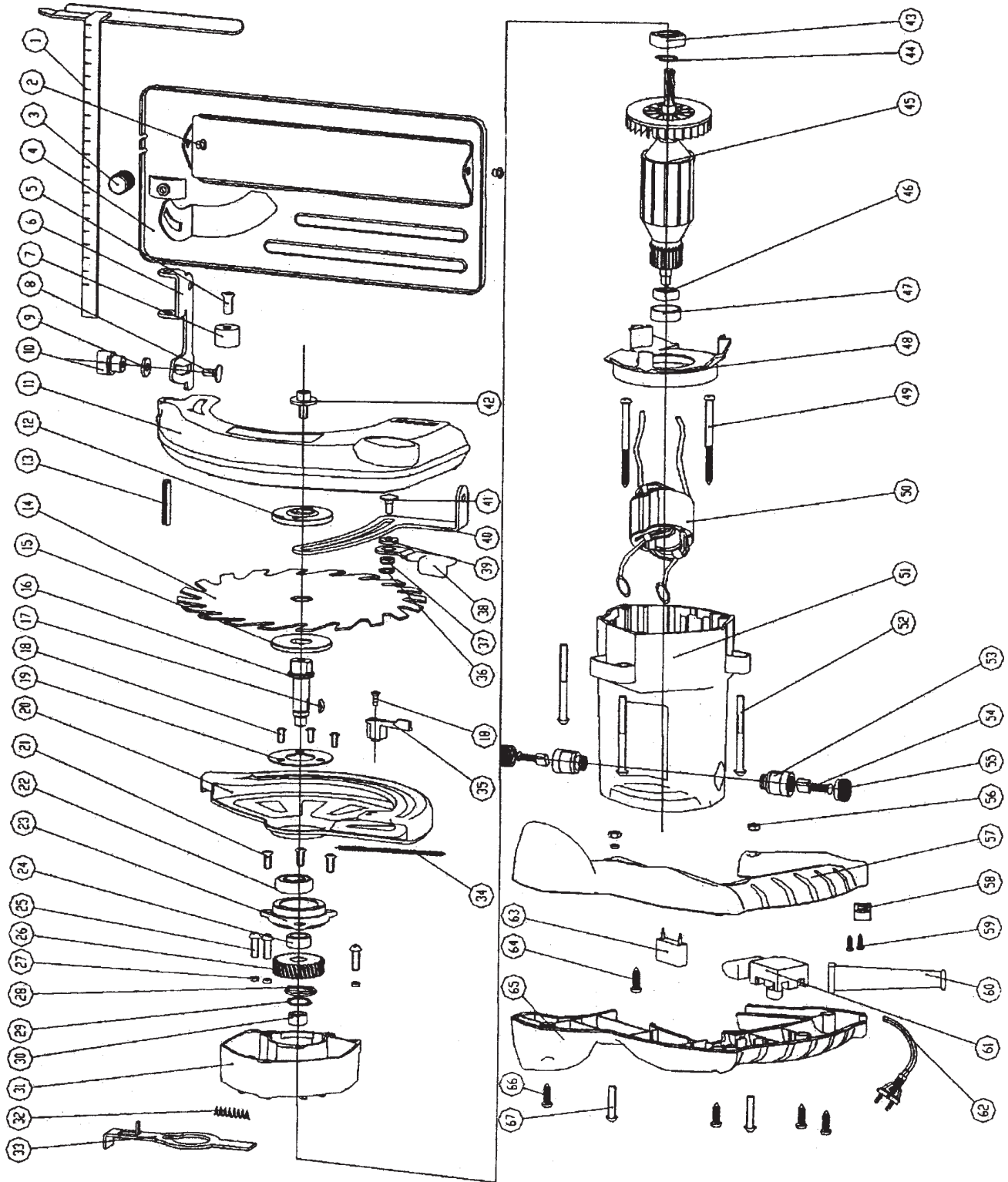
THE MANUFACTURER AND/OR DISTRIBUTOR HAS PROVIDED THE PARTS DIAGRAM IN THIS MANUAL AS A REFERENCE TOOL ONLY. NEITHER THE MANUFACTURER NOR DISTRIBUTOR MAKES ANY REPRESENTATION OR WARRANTY OF ANY KIND TO THE BUYER THAT HE OR SHE IS QUALIFIED TO MAKE ANY REPAIRS TO THE PRODUCT OR THAT HE OR SHE IS QUALIFIED TO REPLACE ANY PARTS OF THE PRODUCT. IN FACT, THE MANUFACTURER AND/OR DISTRIBUTOR EXPRESSLY STATES THAT ALL REPAIRS AND PARTS REPLACEMENTS SHOULD BE UNDERTAKEN BY CERTIFIED AND LICENSED TECHNICIANS AND NOT BY THE BUYER. THE BUYER ASSUMES ALL RISK AND LIABILITY ARISING OUT OF HIS OR HER REPAIRS TO THE ORIGINAL PRODUCT OR REPLACEMENT PARTS THERETO, OR ARISING OUT OF HIS OR HER INSTALLATION OF REPLACEMENT PARTS THERETO.

PARTS LIST

Part	Description	Q'ty
1	Guide Fence	1
2	Round-head Rivet	2
3	Guide Fence Screw	1
4	Base Plate	1
5	Screw M6x16	1
6	Angle Bracket	1
7	Retaining Ring	1
8	Carriage Bolt M6x10	1
9	Washer	1
10	Wing Nut M6	1
11	Blade Cover	1
12	Blade Flange	1
13	Spring Pin	1
14	Sawblade	1
15	Inner Flange	1
16	Spindle	1
17	Shaft Key	1
18	Screw M4x8	4
19	Cover	1
20	Blade Guard	1
21	Screw M5x8	3
22	Bearing 6001Z	1
23	Front Cover	1
24	Bushing	1
25	Screw M5x14	3
26	Gear	1
27	Spring Washer	4
28	Spring Washer	1
29	Fender Ring	1
30	Oil Bearing	1
31	Housing	1
32	Spring	1
33	Spindle Lock	1

Part	Description	Q'ty
34	Spring	1
35	Blade Guard Lever	1
36	Fender Ring	1
37	Nut	1
38	Depth Lever	1
39	Washer	1
40	Shelf	1
41	Carriage Bolt M6x14	1
42	Hex Bolt M6x16	1
43	Bearing 6000Z	1
44	Fender Ring	1
45	Armature	1
46	Bearing 607Z	1
47	Bearing Sleeve	1
48	Fan	1
49	Tap Screw ST4.8x60	2
50	Stator	1
51	Housing	1
52	Screw M5x58	3
53	Carbon Brush Holder	2
54	Carbon Brush	2
55	Carbon Brush Cover	2
56	Nut M5	2
57	Right Handle	1
58	Strain Relief	1
59	Tap Screw ST4.2x14	2
60	Power Cord Guard	1
61	Switch	1
62	Power Cord	1
63	Capacitor 0.22 μ F	1
64	Tap Screw ST4.2x12	1
65	Left Handle	1
66	Tap Screw ST4.2x16	4

ASSEMBLY DRAWING



NOTE: Some parts are listed and shown for illustration purposes only and are not available individually as replacement parts.

CHICAGO
Electric® Power Tools

SCIER DE CIRCULAIRE DE POUCE DE 7-1/4

Modèle 94245

LES INSTRUCTIONS POUR LE MONTAGE ET L'OPÉRATION



IMPORTANT!

Cette édition de langue française est une traduction du manuel anglais original accompagnant ce produit. Si une partie du manuel anglais original est inconsistante avec cette traduction, le manuel anglais original gouvernera.

En raison des améliorations continuantes, le produit réel peut différer légèrement du produit décrit ici.



3491 Mission Oaks Blvd., Camarillo, CA 93011

Visitez notre site Internet à <http://www.harborfreight.com>

**TO PREVENT SERIOUS INJURY,
READ AND UNDERSTAND ALL WARNINGS
AND INSTRUCTIONS BEFORE USE.**

Le Copyright© 2006 par le Harbor Freight Tools®. Tous droits réservés. Aucune portion de ce manuel ou de n'importe quel travail d'art contenu ici ne peut être reproduite dans aucune forme ou forme sans le consentement rapidement écrit de Harbor Freight Tools.

**Pour les questions techniques et les pièces détachées,
appelez-vous s'il vous plaît 1-800-444-3353.**

SPÉCIFICATIONS

Consommation	120 V~, 60 Hz, 10 ampères maximaux
Moteur	5000 tr-min, énergie directe
Cordon de Ligne	18 AWG x 2, UL énuméré, la deux dent a polarisé la prise de courant
Lame de Scier	Pouces de 7-1/4; 24 carbure de dent incliné (inclus)
La Coupure de la Capacité	2.5 pouces à 90°; 1.7 pouces à 45°
Arbre	Pouce de 5/8; serrure de Fuseau
Accessoires	Tourne-à-gauche d'hexagone d'enlèvement de lame
Caractéristiques	Retour de garde automatique; poignée de Côté
Poids	8.6 livres
Dimensions de Plaque d'Orteil	10-5/8 (L) x 5-3/8 (W) les pouces
Dimensions Générales	11-3/4 (L) x 9-5/8 (W) x 9-1/4 (H) les pouces



SAUVEZ CE MANUEL

Vous aurez besoin du manuel pour les avertissements de sécurité et les précautions, les instructions de montage, en fonctionnant et les procédures de maintenance, la liste de pièces et le diagramme. Gardez votre facture avec ce manuel. Écrivez le nombre de facture sur l'intérieur de la couverture première. Gardez le manuel et la facture dans un coffre-fort et un endroit sec pour la référence future.

RÈGLES RÉPANDUES DE SÉCURITÉ

AVERTISSEMENT!

LISEZ ET COMPRENEZ TOUTES LES INSTRUCTIONS. L'échec de suivre toutes les instructions énumérées peut ci-dessous s'ensuivre dans le décharge électrique, le feu, et-ou la blessure sérieuse.

SAUVEZ CES INSTRUCTIONS

Région de Travail

1. **Garder votre région de travail propre et bien allumé.** Les bancs encombrés et les régions sombres invitent des accidents.
2. **Ne faire pas marcher d'instruments de pouvoir dans les atmosphères explosives, comme en présence des liquides inflammables, les gaz, ou la poussière.** Les instruments de pouvoir créent des étincelles qui peuvent enflammer la poussière ou les exhalaisons.
3. **Garder des spectateurs, des enfants et des visiteurs loin en faisant marcher un instrument de pouvoir.** Les distractions peuvent vous faire perdre le contrôle. Protégez d'autres dans la région de travail des débris comme les frites et les étincelles. Fournissez des barrières ou des protecteurs comme nécessaire.

Sécurité Électrique

4. **Éviter le contact de corps avec les surfaces mises à la terre comme les tuyaux, les radiateurs, les variétés et les réfrigérateurs.** Il y a un risque augmenté de décharge électrique si votre corps est mis à la terre.
5. **Ne découvrir pas d'instruments de pouvoir pour pleuvoir ou les conditions mouillées.** L'eau entrant dans un instrument de pouvoir augmentera le risque de décharge électrique.
6. **Les instruments mis à la terre doivent être branchés à une prise de courant murale correctement installée et mise à la terre conformément à tous les codes et aux ordonnances. N'enlevez jamais la dent d'installer à la terre ou modifiez la prise de courant de toute façon. N'utilisez pas de prises de courant d'adaptateur. Vérifiez avec un électricien qualifié si vous êtes douteux quant à si la prise de courant murale est correctement mise à la terre.** Si les instruments devraient électriquement mal fonctionner ou se décomposer, installer à la terre fournit un sentier de résistance faible pour emporter l'électricité de l'utilisateur.
7. **Les instruments isolés doubles sont équipés avec une prise de courant polarisée (une lame est plus large que l'autre). Cette prise de courant correspondra dans une prise de courant murale polarisée seulement à une voie. Si la prise de courant ne va pas complètement dans la prise de courant murale, inverse la prise de courant. S'il ne va pas toujours, contactez un électricien qualifié pour installer une prise de courant murale polarisée. Ne changez pas la prise de courant de toute façon.** L'isolation double élimine le besoin pour le trois fil a mis le cordon de pouvoir à la terre et a mis le système d'alimentation électrique à la terre.
8. **N'abuser pas du Cordon de Pouvoir. N'utilisez jamais le Cordon de Pouvoir pour porter les instruments ou tirer la Prise de courant d'une prise de courant murale. Tenez le Cordon de Pouvoir à distance de la chaleur, les bords de pétrole, pointus, ou les pièces bougeantes. Remplacez des Cordons de Pouvoir faits tort immédiatement.** Les Cordons de Pouvoir Faits tort augmentent le risque de décharge électrique.
9. **En faisant marcher un instrument de pouvoir à l'extérieur, utilisez "W-A" marqué d'un cordon d'extension en plein air ou "W".** Ces cordons d'extension sont estimés pour l'utilisation en plein air et réduisent le risque de décharge électrique.

Sécurité Personnalised

10. **Séjour vigilant. La surveillance que vous faites et utilisez le sens commun en faisant marcher un instrument de pouvoir. N'utilisez pas d'instrument de pouvoir pendant que fatigué ou sous l'influence de drogues, alcool, ou médication.** Un moment d'inattention en faisant marcher des instruments de pouvoir peut s'ensuivre dans la blessure personnalisée sérieuse.
11. **Robe correctement. Ne portez pas de vêtements desserrés ou de bijouterie. Contenez de longs cheveux. Gardez vos cheveux, vêtements et gants loin de déplacer des pièces.** Les vêtements desserrés, la bijouterie, ou les longs cheveux peuvent être attrapés dans les pièces bougeantes.

12. **Éviter le commencement accidentel. Soyez sûrs que l'Interrupteur de Pouvoir est éteint avant le fait de brancher.** Le fait de porter des instruments de pouvoir avec votre doigt sur l'Interrupteur de Pouvoir, ou en branchant des instruments de pouvoir avec l'Interrupteur de Pouvoir sur, invite des accidents.
13. **Enlever des clés s'adaptant ou des tourne-à-gauche avant le fait d'allumer l'instrument de pouvoir.** Un tourne-à-gauche ou une clé qui est laissée attachée à une pièce tournante de l'instrument de pouvoir peuvent s'ensuivre dans la blessure personnalisée.
14. **Ne dépasser pas. Gardez la position nécessaire et l'équilibre à tous moments.** La position nécessaire et l'équilibre permettent le meilleur contrôle de l'instrument de pouvoir dans les situations inattendues.
15. **Utiliser l'équipement de sécurité. Portez toujours la protection d'oeil.** Le masque de filtre, les chaussures de sécurité antidérapantes, le chapeau dur, ou l'ouïe de la protection doivent être utilisés pour les conditions appropriées.

Utilisation d'Instrument et Soins

16. **Utiliser des attaches (non inclus) ou d'autres façons pratiques de stabiliser et soutenir la pièce de fabrication à une plate-forme ferme.** La possession du travail à la main ou contre votre corps est instable et peut causer la perte de contrôle.
17. **Ne forcer pas l'instrument. Utilisez l'instrument correct de votre application.** L'instrument correct fera le travail mieux et plus sûr au taux auquel il est conçu.
18. **N'utiliser pas l'instrument de pouvoir si l'Interrupteur de Pouvoir ne l'allume pas ou l'éteint.** N'importe quel instrument qui ne peut pas être contrôlé avec l'Interrupteur de Pouvoir est dangereux et doit être remplacé.
19. **Débrancher la Prise de courant de Cordon de Pouvoir de la source de pouvoir avant le fait de faire n'importe quels ajustages, accessoires changeants, ou le fait de conserver l'instrument.** De telles mesures de sécurité préventives réduisent le risque de commencer l'instrument par hasard.
20. **Garder des instruments à l'arrêt hors de portée des enfants et d'autres personnes sans formation.** Les instruments sont dangereux dans les mains d'utilisateurs sans formation.
21. **Maintenir des instruments avec le soin. Continuez à couper des instruments pointus et propres.** Les instruments correctement maintenus avec un tranchant pointu attacheront moins probablement et sont plus faciles de contrôler. N'utilisez pas d'instrument fait tort. L'étiquette a fait tort aux instruments "N'utiliser pas." jusqu'à réparé.
22. **Vérifier pour le défaut d'alignement ou le fait d'attacher de pièces bougeantes, la fracture de pièces et d'autre condition qui peut affecter l'opération de l'instrument. Si fait tort, faites assurer l'entretien de l'instrument avant l'utilisation.** Beaucoup d'accidents sont causés par les instruments pauvrement maintenus.
23. **Utiliser seulement des accessoires qui sont recommandés par le fabricant pour votre modèle.** Les accessoires qui peuvent être convenables pour un instrument peuvent devenir les hasardeux quand utilisé sur un autre instrument.

Entretien

24. **L'entretien d'instrument doit être exécuté seulement par le personnel de réparation qualifié.** L'entretien ou la maintenance exécutée par le personnel disqualifié pourraient s'ensuivre dans un risque de blessure.
25. **En assurant l'entretien d'un instrument, utilisez des pièces détachées seulement identiques. Suivez des instructions dans la "Inspection, la Maintenance et la Nettoyante" section de ce manuel.** L'utilisation de pièces faites sans autorisation ou d'échec de suivre les instructions de maintenance peut créer un risque de décharge électrique ou de blessure.

RÈGLES DE SÉCURITÉ SPÉCIFIQUES POUR CE PRODUIT

1. **DANGER! Tenez des mains à distance de couper la région et la lame. Conservez-vous votre seconde main sur la poignée auxiliaire ou l'habitation automobile.** Si les deux mains tiennent le scier, ils ne peuvent pas être coupés par la lame. **Gardez votre corps placé à l'un ou l'autre côté de la lame de scier, mais pas conformément à la lame de scier.** Recul pourrait faire le scier être envoyé à reculons. (Voir Recul.) **n'arrivent pas au-dessous du travail.** La garde ne peut pas vous protéger de la lame au-dessous du travail.
2. **Vérifier la garde plus faible pour la fermeture nécessaire avant chaque utilisation. Ne faites pas marcher de scier si la garde plus faible ne bouge pas librement et ferme immédiatement. Ne serrez jamais ou attachez la garde plus faible dans la position ouverte.** Si le scier est par hasard baissé, la garde plus faible peut être tournée. Avec le pouvoir du scier débranché, élevez la garde plus faible avec la Poignée s'Escamotant et assurez-vous qu'il bouge librement et ne touche pas la lame ou autre pièce, dans tous les angles et les profondeurs de coupe.
3. **Vérifier l'opération et la condition du printemps de garde plus faible. Si la garde et le printemps ne fonctionnent pas correctement, ils doivent être assurés l'entretien avant l'utilisation.** La garde plus faible peut fonctionner lentement en raison des pièces faites tort, les dépôts gluants, ou une accumulation de débris.
4. **La garde plus faible devrait être rétractée manuellement seulement pour les coupes spéciales comme les "Coupes de Poche" et les "Coupes Composées." Élevez la garde plus faible utilisant la Poignée s'Escamotant. Aussitôt que la lame entre dans le matériau, la garde plus faible doit être lâchée.** Pour tout l'autre sciage, la garde plus faible devrait fonctionner automatiquement.
5. **Remarquez toujours que la garde plus faible couvre la lame avant le scier plaçant en bas sur le banc ou l'étage.** Une lame sans protection, avançant fera le scier déplacer à reculons, en coupant ce qui est dans son sentier. Soyez conscients du temps qu'il prend pour la lame pour s'arrêter après que l'interrupteur est lâché.
6. **Ne tenez jamais la pièce étant coupée dans vos mains ou à travers votre jambe.** Il est important de soutenir le travail correctement pour minimiser l'exposition de corps, la lame attachante, ou la perte de contrôle. Utilisez des étaux, des attaches, ou d'autres soutiens appropriés pour solidement tenir la pièce de fabrication.

7. **Tenir l'instrument par les surfaces de captage isolées en exécutant une opération où l'instrument coupant peut contacter des circuits électriques cachés.** Contact avec un fil "électriquement stimulé" fera aussi des pièces en métal découvertes de l'instrument "vivre" et choquer l'opérateur.
8. **En déchirant utilisent toujours une clôture d'accroc ou un guide de bord droit.** Cela améliore l'exactitude de coupe et réduit la chance pour la lame attachante.
9. **Utilisez toujours des lames avec la grandeur correcte et la forme (le diamant contre le rond) les trous d'Arbre.** Les lames qui ne correspondent pas au matériel installant du scier marcheront excentriquement, en causant la perte de contrôle.
10. **N'utilisez jamais des rondelles de lame faites tort ou incorrectes ou des boulons.** Les rondelles de lame et le boulon ont été spécialement conçus à votre scier, à la performance optimale et à la sécurité d'opération.
11. **Les causes et la Prévention d'Opérateur de Recul :** Recul est une réaction soudaine à une lame de scier pincée, attachée, ou non mis en ligne, en faisant un scier non maîtrisé se soulever et de la pièce de fabrication vers l'opérateur. Quand la lame est pincée ou attachée fermement par la fermeture de fente, les stalles de lame et la réaction automobile conduit l'unité rapidement en arrière vers l'opérateur.

Si la lame devient tournée ou non mis en ligne dans la coupe, les dents à l'arrière bord de la lame peuvent creuser dans la surface supérieure du bois faisant la lame grimper de la fente et être envoyé en arrière vers l'opérateur. Recul est le résultat de mauvais usage d'instrument et-ou modes opératoires incorrects ou conditions et peut être évité en prenant des précautions nécessaires comme donné ci-dessous:
12. **Maintenir une prise ferme sur le scier et placer votre corps et bras dans une voie qui vous permet de résister aux forces de recul.** Les forces de recul peuvent être contrôlées par l'opérateur, si les précautions nécessaires sont prises.
13. **Quand la lame attache, ou en interrompant une coupe pour n'importe quelle raison, lâchez la manette et tenez le scier immobile dans le matériau jusqu'à ce que la lame vienne à un arrêt complet. Jamais l'essai d'enlever le scier du travail ou tirer le scier en arrière pendant que la lame est dans le mouvement ou recul peut se produire.** Enquêtez et prenez des mesures correctives pour éliminer la cause de lame attachante.
14. **En recommençant un scier dans la pièce de fabrication, centrez la lame de scier dans la fente et le chèque que les dents ne sont pas retenues dans le matériau.** Si la lame de scier attache, il peut recul de la pièce de fabrication comme le scier est recommencé.
15. **Soutenir de grands panneaux pour minimiser le risque de lame serrante et de recul.** De grands panneaux ont tendance à s'affaisser sous leur propre poids. Les soutiens doivent être placés sous le panneau des deux côtés, près de la ligne de coupe et près du bord du panneau.
16. **N'utiliser pas de lame émoussée ou faite tort.** Les lames non aiguisées ou improprement installées produisent la fente étroite causant la friction excessive, la lame attachante et recul.

17. **La profondeur de lame et biseaute le réglage fermant des leviers doit être serré et stable avant le fait de faire la coupe.** Si l'ajustage de lame se déplace en coupant, il causera le fait d'attacher et recul.
18. **Utiliser la prudence supplémentaire en faisant une "Coupe de Poche" dans les murs existants ou d'autres régions aveugles.** La lame dépassant peut couper des objets qui peuvent causer recul.
19. **Maintenir des étiquettes et des plaques sur le Scier Circulaire.** Ceux-ci portent des renseignements importants. Si illisible ou l'absence, contactez le Harbor Freight Tools pour un remplacement.
20. **Portez toujours des lunettes de protection d'oeil d'impact de sécurité approuvées d'ANSI et de lourds gants de travail en utilisant le Scier Circulaire.** L'utilisation les artifices de sécurité personnalisés réduit le risque pour la blessure. Les lunettes de protection d'oeil d'impact de sécurité et les lourds gants de travail sont en vente du Harbor Freight Tools.
21. **Maintenir un cadre de travail sûr.** Gardez la région de travail bien allumée. Assurez-vous qu'il y a le cadre de travail environnant adéquat. Gardez toujours la région de travail sans obstructions, graisse, pétrole, déchets et d'autres débris. N'utilisez pas d'instrument de pouvoir dans les régions près des produits chimiques inflammables, les poussières et les vapeurs. N'utilisez pas ce produit dans un endroit humide ou mouillé.
22. **Éviter le commencement inconscient.** Assurez-vous que vous êtes disposés à commencer le travail avant le fait d'allumer le Scier Circulaire.
23. **Ne forcer pas le Scier Circulaire.** Cet instrument fera le travail mieux et plus sûr à la vitesse et à la capacité à laquelle il a été conçu.
24. **Débranchez toujours le Scier Circulaire de sa prise de courant murale électrique avant le fait d'exécuter n'importe quelle inspection, maintenance, ou le fait de nettoyer des procédures.**
25. **Ne laissez jamais le Scier Circulaire sans surveillance en marchant.** Éteignez le pouvoir si vous devez laisser le Scier Circulaire.
26. **Avant chaque utilisation, vérifiez tous les écrous, les boulons et les vis pour l'étroitesse.**
27. **Éloigner le cordon d'extension de la terre et loin de l'eau.**
28. **Reliez toujours le Cordon de Ligne à une prise de courant murale électrique protégée de terre.**
29. **AVERTISSEMENT! Les gens avec les stimulateurs cardiaques devraient consulter leur docteur (s) avant le fait d'utiliser ce produit.** Les champs électromagnétiques dans la proche proximité à un stimulateur cardiaque du cœur pourraient causer l'interférence à ou l'échec du stimulateur cardiaque.
En plus, les gens avec les stimulateurs cardiaques devraient respecter la chose suivante:
 - Évitent de faire marcher des instruments de pouvoir seuls.
 - N'utilise pas d'instrument de pouvoir avec l'Interrupteur de Pouvoir verrouillé.
 - Sont certains que l'instrument est correctement mis à la terre. Une interruption de circuit

de faute de terre (GFCI) le système est aussi une bonne précaution. Cet artifice bon marché est une bonne mesure de sécurité parce qu'il évite un choc électrique suivi.

- Maintiennent correctement et inspectent tous les instruments avant l'utilisation pour éviter le choc électrique.

30. Un peu de poussière créée par le fait d'éroder de pouvoir, le sciage, le grincement, le forage et d'autres activités de construction, contient des produits chimiques connus (à l'État de Californie) pour causer le cancer, les anomalies congénitales ou d'autre mal reproducteur. Quelques exemples de ces produits chimiques sont : le plomb des peintures à base de plomb, la silice cristalline des briques et le ciment ou d'autres produits de maçonnerie, l'arsenic et le chrome du bois de construction chimiquement traité. Votre risque de ces expositions varie, selon combien de fois vous faites ce type de travail. Réduire votre exposition à ces produits chimiques : le travail dans une région bien aérée et un travail avec l'équipement de sécurité approuvé, comme ces masques de filtre qui sont spécialement conçus pour éliminer des particules microscopiques. (Le Code de Sécurité et de Santé de Californie § 25249.5 *et seq.*)

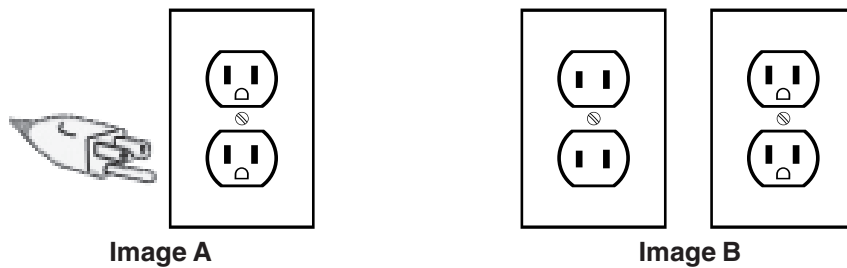
INSTALLER À LA TERRE

AVERTISSEMENT!

Improprement le branchement du fil d'installer à la terre peut s'ensuivre dans le risque de décharge électrique. Vérifiez avec un électricien qualifié si vous êtes douteux quant à si la prise de courant murale est correctement mise à la terre. Ne modifiez pas la prise de courant de cordon de pouvoir fournie avec l'instrument ou le produit. N'enlevez jamais la dent d'installer à la terre de la prise de courant. N'utilisez pas l'instrument si le cordon de pouvoir ou la prise de courant sont faits tort. Si fait tort, faites-le réparer par un établissement d'entretien avant l'utilisation. Si la prise de courant ne correspondra pas à la prise de courant murale, faites installer une prise de courant murale nécessaire par un électricien qualifié.

Instruments Mis à la terre avec Trois Prises de courant de Dent

1. Les instruments marqués avec "Installer à la terre de Voulu" ont un trois cordon métallique et trois dent mettant la prise de courant à la terre. La prise de courant doit être reliée à une prise de courant murale correctement mise à la terre. Si l'instrument devrait électriquement mal fonctionner ou se décomposer, installer à la terre fournit un sentier de résistance faible pour emporter l'électricité de l'utilisateur, en réduisant le risque de décharge électrique. (Voir l'Image A, la page suivante.)
2. La dent d'installer à la terre dans la prise de courant est reliée par le fil vert à l'intérieur du cordon au système d'installer à la terre dans l'instrument. Le fil vert dans le cordon doit être le seul fil relié au système d'installer à la terre de l'instrument et ne doit jamais être attaché à un terminus électriquement "électriquement stimulé". (Voir l'Image A.)
3. Votre instrument doit être branché à une prise de courant murale appropriée, a correctement installé et a mis à la terre conformément à tous les codes et aux ordonnances. La prise de courant et la prise de courant murale devraient ressembler à ceux en illustration suivante. (Voir l'Image A.)



Instrument Isolé Double avec Deux Prises de courant de Dent

4. Ce produit a une prise de courant polarisée (une lame est plus large que l'autre) comme une caractéristique pour réduire le risque de décharge électrique. Cette prise de courant correspondra dans une prise de courant murale polarisée seulement à une voie. Si la prise de courant ne va pas complètement dans la prise de courant murale, inverse la prise de courant. S'il ne va pas toujours, contactez un électricien qualifié. N'utilisez jamais avec un cordon d'extension à moins que la prise de courant ne puisse être complètement insérée. Ne changez pas la prise de courant. ”
5. Les instruments marqués “Double Isolé” n'exigent pas installer à la terre. Ils ont un système d'isolation double spécial qui satisfait des exigences OSHA et se plie aux normes applicables d'Underwriters Laboratories, Inc., l'Association Standard canadienne et le Code Électrique national. (Voir l'Image B ci-dessus.)
6. Les instruments isolés doubles peuvent être utilisés dans n'importe laquelle des prises de courant murale de 120 volts montrées en illustration suivante. (Voir l'Image B ci-dessus.)

CORDONS D'EXTENSION

1. Les instruments mis à la terre exigent un trois cordon d'extension métallique. Les instruments Isolé double peuvent utiliser deux ou trois cordon d'extension métallique.
2. Comme la distance des augmentations de prise de courant murale d'alimentation, vous devez utiliser un plus lourd cordon d'extension de calibre. L'utilisation des cordons d'extension avec le fil insuffisamment de grandeur cause une baisse sérieuse dans le voltage, en s'ensuivant dans la perte de pouvoir et de dommage d'instrument possible. (Voir le Tableau A.)
3. Plus petit le nombre de calibre du fil, plus grand la capacité du cordon. Par exemple, un 14 cordon de calibre peut porter un plus haut courant qu'un 16 cordon de calibre. (Voir le Tableau A.)
4. En utilisant plus qu'un cordon d'extension pour créer la longueur totale, assurez-vous que chaque cordon contient au moins la grandeur métallique minimale exigée. (Voir le Tableau A.)
5. Si vous utilisez un cordon d'extension de plus qu'un instrument, ajoutez les ampères de plaque et utilisez la somme pour déterminer la grandeur de cordon minimale voulue. (Voir le Tableau A.)




6. Si vous utilisez un cordon d'extension dehors, assurez-vous qu'il est marqué avec le suffixe "W-A" ("W" au Canada) pour indiquer que c'est acceptable pour l'utilisation en plein air.
7. Assurer que votre cordon d'extension est correctement télégraphié et dans la bonne condition électrique. Remplacez toujours un cordon d'extension fait tort ou faites-le réparer par un électricien qualifié avant le fait de l'utiliser.
8. Protéger vos cordons d'extension des objets pointus, la chaleur excessive et les régions humides ou mouillées.

LE CALIBRE MÉTALLIQUE MINIMAL RECOMMANDÉ POUR L'EXTENSION CORDS*					
LES AMPÈRES DE PLAQUE (à la pleine charge)	LONGUEUR DE CORDON D'EXTENSION				
	7.5 m	15 m	22.5 m	30 m	45 m
0 - 2.0	18	18	18	18	16
2.1 - 3.4	18	18	18	16	14
3.5 - 5.0	18	18	16	14	12
5.1 - 7.0	18	16	14	12	12
7.1 - 12.0	18	14	12	10	-
12.1 - 16.0	14	12	10	-	-
16.1 - 20.0	12	10	-	-	-

Tableau A *Basé sur le fait de limiter le voltage de ligne tombe à cinq volts à 150 % des ampères évalués.

Symbology

Tableau B

	Double Isolé
	Association de Normes Canadienne
	Underwriters Laboratories, Inc.
V ~	Courant alternatif de Volts
A	Ampères
no _{xxxx} /min.	Aucune Révolution de Charge par Minute (TR-MIN)

DÉFAISANT

En défaisant, vérifiez pour vous assurer que les pièces suivantes sont incluses: le Scier Circulaire, le Tourne-à-gauche d'Hexagone et la Clôture de Guide. Déférez à la section de Montage et le Dessin de montage et la Liste de Pièces à l'extrémité de ce manuel. Si des pièces manquent ou cassées, appelez s'il vous plaît le Harbor Freight Tools au nombre sur la couverture de ce manuel aussitôt que possible.

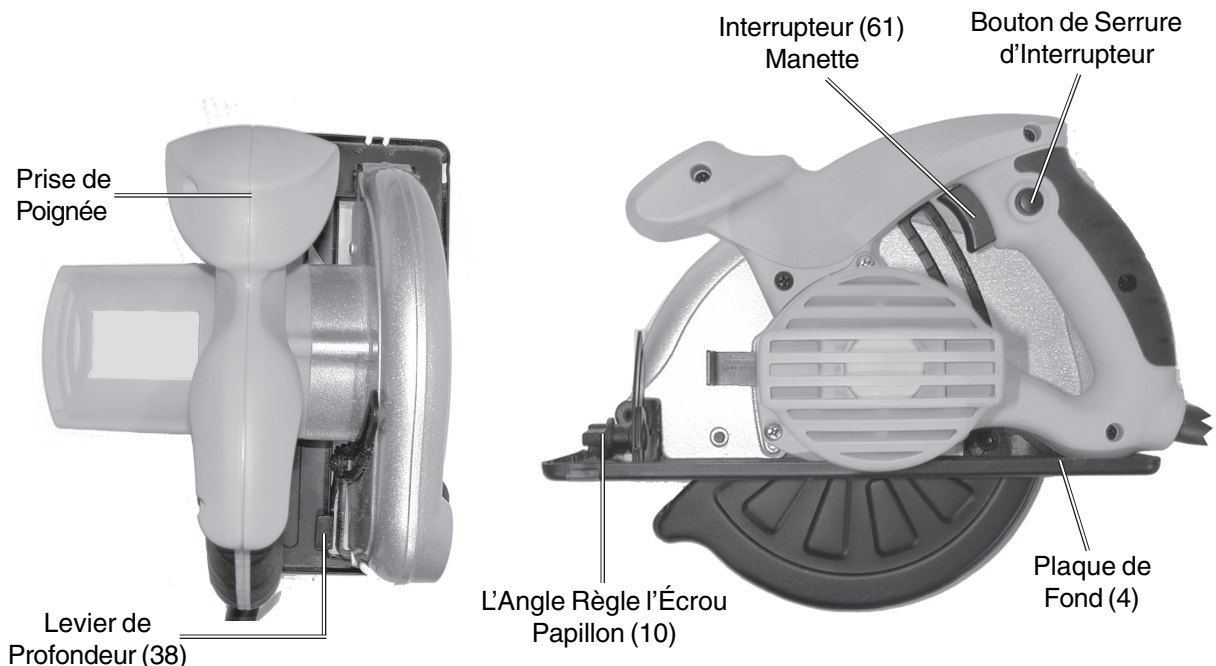
LE FAIT DE FAIRE MARCHER DES INSTRUCTIONS

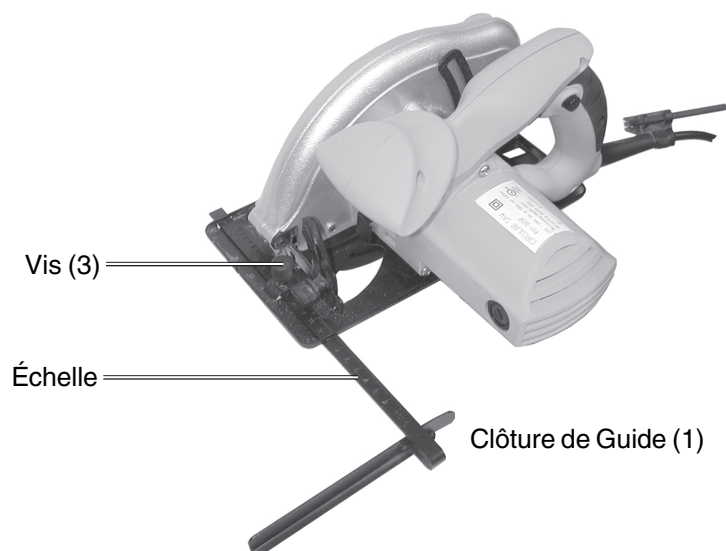
Le réglage du Scier Avant la Coupure

PRUDENCE: Assurez-vous Toujours que le Cordon de Pouvoir n'est pas relié à sa prise de courant murale électrique avant de faire n'importe quels ajustages à l'instrument.

1. Pour régler l'**angle** de lame de 0 à 45 degrés, desserrez l'Écrou papillon (10) et déplacez la Plaque de fond (4) en bas, en observant les degrés indiqués sur le Pièce de soutien angulaire (6). Serrez l'Écrou papillon (10).
2. Pour régler la **profondeur** de la coupe, soulevez le Levier de Profondeur (38) et déplacez la Plaque de fond (4) en bas (ou en haut) en observant la distance la lame de scier est découverte sous la Plaque de fond. Faites chuter sur le Levier de Profondeur (38) pour fermer le nouveau cadre de profondeur.

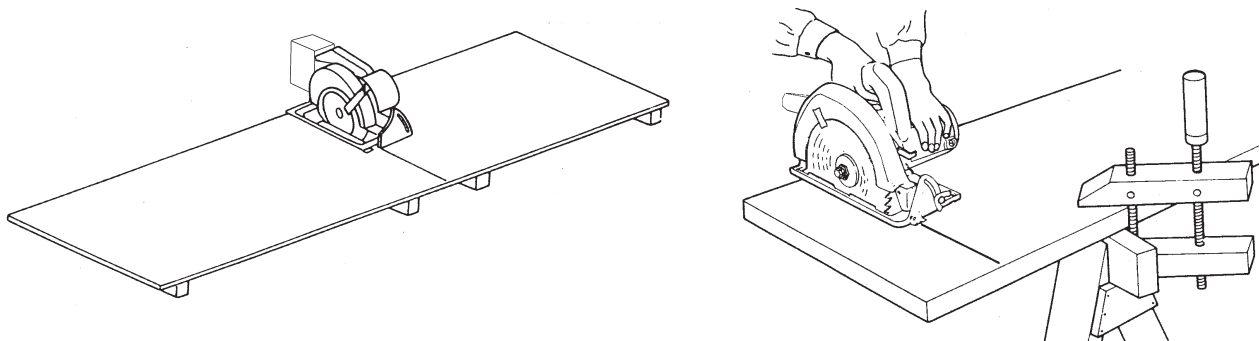
Commandes et Ajustages





Préparez le Matériau Avant la Coupure

1. Soutenir de grands panneaux pour minimiser le risque de lame serrante et de recul de scier.
2. Utiliser la Clôture de Guide fournie (1) en déchirant le matériau en le faisant glisser dans la Plaque de fond (4) et en serrant la Vis (3).
3. Serrez solidement le matériau à être coupé à l'établi.
4. Être prudent que le Scier Circulaire n'a pas coupé dans les soutiens ou l'établi.
5. Utiliser le type approprié de lame pour le matériau que vous coupez.



Coupure Répandue

Prudence : Vérifiez que la Lame de Scier (14) est solidement serrée et tant angle que hauteur réglant des écrous et les leviers sont serrés. Lisez et comprenez toutes les précautions de sécurité énumérées sur la page 5.

1. Si une coupe droite est désirée, faites glisser la Clôture de Guide (1) dans le côté du Scier Circulaire et serrez-vous avec la Vis (3), ou serrez un bord droit au matériau pour guider le scier sur un sentier droit. Déférez à la photo ci-dessus.

2. Placer la Plaque de fond de scier sur le matériau à être coupé. Mettez en ligne l'entaille première (le bord droit met en ligne avec la lame de scier) sur la ligne de coupe.
3. Tenir le Scier Circulaire par les deux poignées. Tenez toujours des mains à distance et des doigts de la Lame de Scier.
4. La poussée dans et tient le Bouton de Serrure d'Interrupteur, serre ensuite l'Interrupteur (61) la Manette avec l'index. Faites-le avant que la lame de scier touche le matériau.
5. Avec le scier à la vitesse complète, bougez le scier envoient lentement pour accomplir la coupe.
6. Quand la coupe est complète, lâchez la Manette d'Interrupteur. Ne déposez pas le scier jusqu'à ce que la lame arrête de tourner.

Coupes de Poche

1. Pencher le scier en avant avec l'entaille de guide coupante de la Plaque de fond sur la ligne tirée pour la coupe.
2. Élever la Garde de Lame (20) avec le Levier de Garde de Lame (35).
3. Avec la Lame de Scier exactement au-dessus du matériau à être coupé, commencez le scier et permettez à la Lame de Scier de venir à la vitesse complète.
4. Baissez progressivement la Lame de Scier sur la futaie en utilisant l'extrémité première de la Plaque de fond comme un point de pivot.
5. Quand la coupure commence, lâchez la Garde de Lame.
6. Quand la Plaque de fond appuie plate sur la futaie étant coupée, procéder en coupant dans une direction avancée à l'extrémité de la coupe.
7. Quand la coupe est complète, lâchez la Manette d'Interrupteur et attendez la Lame de Scier pour venir à un arrêt avant le fait de soulever le scier de la coupe.
8. Si nécessaire, accomplissez la coupe de la direction opposée dans la même manière décrite ci-dessus.

Prudence : ne tirez Jamais le scier à reculons puisque la Lame de Scier grimpera de la coupe et recul se produira.

AVERTISSEMENT!

Assurez-vous que l'Interrupteur de Pouvoir du Scier Circulaire est dans sa position "ÉTEINTE" et que l'instrument est non branché de sa prise de courant murale électrique, avant le fait d'exécuter n'importe quelle inspection, maintenance, ou le fait de nettoyer des procédures.

1. **Avant chaque utilisation**, inspectez la condition répandue du Scier Circulaire. Vérifiez pour les vis desserrées, le défaut d'alignement ou le fait d'attacher de pièces bougeantes, pièces craquées ou cassées, a fait tort aux circuits électriques et à autre condition qui peut affecter son opération sûre. Si le bruit anormal ou la vibration se produisent, faites corriger le problème avant l'utilisation de plus.
N'utiliser pas d'équipement fait tort.
2. Avant le fait de réinstaller la Lame de Scier, enlevez toute la sciure qui a accumulé autour de la garde de sécurité.
3. Inspectez régulièrement et serrez toutes les vis installantes et les boutons.
4. Garder la Lame de Scier propre et pointu. Les lames pointues minimisent le fait de caler et recul.
5. Garder des gardes dans le bon ordre travaillant.
6. Garder la bouche aérienne automobile propre de poussière et de débris. Propez avec un aspirateur l'unité périodiquement.
7. Si l'instrument ne fonctionne pas normalement, en faisant des bruits inhabituels, ou semble défectueux, arrêtez de l'utiliser immédiatement et le faire réparer.
8. L'instrument propre avec un tissu humide et un détersif doux. N'utilisez pas de solvants comme ils peuvent faire tort et faire craquer les pièces de plastique.

Le fait de remplacer les Balais de carbone

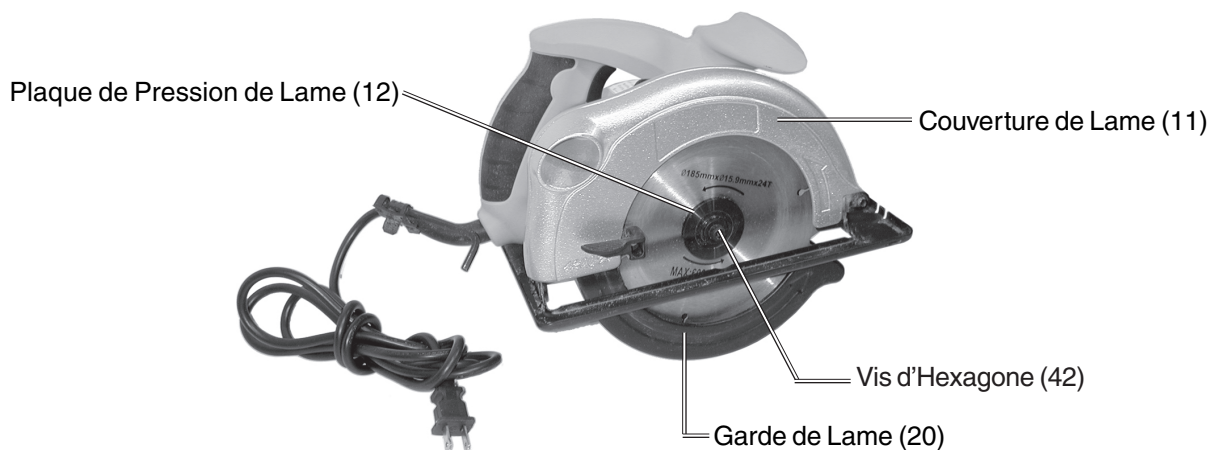
1. Dévisser les Couvertures de Balai de carbone (55).
2. Tirer vers l'extérieur le Balai de carbone (54) de chaque côté du moteur et les examiner.
S'ils sont usés la plus de moitié de la voie en bas, les remplacent. Il pourrait être qu'ils sont simplement sales. Ils peuvent être nettoyés en utilisant une gomme d'encre.
3. Remplacer les Balais de carbone (54) et les Couvertures (55).

Le fait d'installer une Lame de Scier

1. Utiliser seulement une Lame de Scier de pouce 7-1/4 (14). L'estimation de vitesse de lame de scier doit être au moins 5000 tr-min. Déférez au tableau suivant pour les applications de lame de scier et les types.

APPLICATION	DESCRIPTION DE LAME	NOMBRE DE DENTS	TYPE DE COUPE
Mouleurs Soignées Parfaites	Carbure Soigné de Précision	60 ~ 100	Très lisse, sans éclat
Soigné, Encadrant, Couverture de pont Traitée de pression	Combinaison, à usages multiples	24 ~ 60	Lisse, vite la coupe
Aluminium	Coupure de métal non ferreux	60 ~ 80	- - -

2. Débrancher le Cordon de Ligne de Scier Circulaire (62) de la prise de courant murale électrique.
3. Élever la Garde de Lame (20) autant que possible. Voir la photo sur la page suivante.
4. Soutenir la Garde de Lame et appuyer sur le Bouton de Serrure de Fuseau avec une main. Faire tourner la Lame de Scier jusqu'aux prises de Serrure de Fuseau et les arrêts de lame.
5. L'utilisation du Tourne-à-gauche d'Hexagone de Lame de Scier fourni dans l'autre main, desserrez (dans le sens des aiguilles d'une montre) la Vis d'Hexagone enfilée à gauche (42). Enlevez la Vis d'Hexagone de Lame de Scier (42), la Plaque de Pression de Lame (12), alors la Lame de Scier.
6. Nettoyer la Couverture de Lame à fond de (11) de n'importe quels débris.
7. Placer la nouvelle Lame de Scier sur le Fuseau (16) le trou. Les dents de Lame de Scier au fond de la lame de scier devraient montrer vers le revers du Scier Circulaire.



8. Placer la Plaque de Pression de Lame (12) sur le trou de Fuseau, insérer ensuite la Vis d'Hexagone (42).
9. Appuyez sur le Bouton de Serrure de Fuseau avec une main et serrez la Vis de Lame en utilisant dans le sens des aiguilles d'une montre le Tourne-à-gauche d'Hexagone avec l'autre main.

LE FAIT DE FIXER DES PROBLÈMES

Symptôme	Cause Possible	Remède
Le scier ne commence pas quand la manette est tirée.	1. Aucun pouvoir du cordon de ligne.	1. Vérifiez la prise de courant murale électrique pour le pouvoir.
	2. Le Bouton de Serrure d'Interrupteur non poussé dans en tirant la manette.	2. Appuyez dans le bouton en tirant la manette.
	3. Interrupteur défectueux.	3. Remplacez l'interrupteur.
	4. Les balais de carbone sales ou usés.	4. Propre ou remplacez des balais de carbone.
En coupant, le scier ralentit.	Les balais de carbone sales ou usés.	Propre ou remplacez des balais de carbone.
La lame de scier glisse en coupant.	Vis d'Hexagone (42) desserré.	Serrez solidement la Vis d'Hexagone (42).
La Garde de Lame (20) les brindilles ou ne s'ouvre pas facilement.	L'accumulation de débris dans la Couverture de Lame (11).	Enlever la Lame de Scier et nettoyer la Couverture de Lame à fond (11).
Le bois brûle ou fume étant coupé.	Lame de Scier émoussée.	Aiguiser ou remplacer la Lame de Scier.



CHICAGO

LIMITÉ GARANTIE

DE 90 JOUR

Electric Power Tools

Harbor Freight Tools Co fait tout le possible pour assurer que ses produits rencontrent la haute qualité et les normes de durabilité et les mandats à l'acheteur original que ce produit est libre des défauts dans les matériaux et le travail professionnel pour la période de 90 jours de la date de l'achat. Cette garantie ne fait pas une demande au dommage dû directement ou indirectement, au mauvais usage, l'abus, la négligence ou les accidents, les réparations ou les modifications à l'extérieur de notre équipement, ou au manque de maintenance. Nous ne serons en aucun cas responsables pour la mort, les blessures aux personnes ou à la propriété, ou pour les dommages accessoires, contingents, spéciaux ou importants émanant de l'utilisation de notre produit. Quelques états fédéraux ne permettent pas l'exclusion ou la restriction de dommages accessoires ou importants, donc la susdite restriction d'exclusion peut ne pas s'appliquer à vous. CETTE GARANTIE EST EXPRESSÉMENT AU LIEU DE TOUTES LES AUTRES GARANTIES, L'EXPRESS OU IMPLIQUÉE, EN INCLUANT LES GARANTIES DE VALEUR MARCHANDE ET DE CONFORMITÉ.

Pour profiter de cette garantie, le produit ou la pièce doivent nous être rendus avec les charges de transport payées d'avance. La preuve de date d'achat et d'une explication de la plainte dans l'anglais doit accompagner les marchandises. Si notre inspection vérifie le défaut, nous ou réparerons ou remplacerons le produit à notre élection ou nous pouvons choisir de rembourser le prix d'achat si nous ne pouvons pas sans hésiter et vite vous fournir un remplacement. Nous rendrons des produits réparés à nos frais, mais si nous déterminons qu'il n'y a aucun défaut, ou que le défaut est provenu des causes pas dans les limites de notre garantie, alors vous devez porter le prix de rendre le produit.

Cette garantie vous donne des droits juridiques spécifiques et vous pouvez aussi avoir d'autres droits qui varient d'état fédéral à l'état fédéral.

3491 Mission Oaks Blvd. • PO Box 6009 • Camarillo, CA 93011 • (800) 444-3353

LISEZ S'IL VOUS PLAÎT LE SUIVANT SOIGNEUSEMENT

LE FABRICANT ET-OU LE DISTRIBUTEUR A FOURNI LA LISTE DE PIÈCES ET LE DIAGRAMME DE MONTAGE DANS CE MANUEL COMME UN INSTRUMENT DE RÉFÉRENCE SEULEMENT. AUCUN LE FABRICANT OU LE DISTRIBUTEUR FONT N'IMPORTE QUELLE REPRÉSENTATION OU GARANTIE DE N'IMPORTE QUELLE SORTE À L'ACHETEUR QU'IL OU ELLE EST AUTORISÉ POUR FAIRE N'IMPORTE QUELLES RÉPARATIONS AU PRODUIT, OU QU'IL OU ELLE EST AUTORISÉ POUR REMPLACER N'IMPORTE QUELLES PIÈCES DU PRODUIT. EN FAIT, LE FABRICANT ET-OU LE DISTRIBUTEUR DÉCLARE EXPRESSÉMENT QUE TOUTES LES RÉPARATIONS ET LES REMPLACEMENTS DE PIÈCES DEVRAIENT ÊTRE ENTREPRIS PAR LES TECHNICIENS DIPLÔMÉS ET AGRÉÉS ET PAS PAR L'ACHETEUR. L'ACHETEUR SUPPOSE TOUT LE RISQUE ET LA RESPONSABILITÉ SURVENANT DU FAIT DE SES RÉPARATIONS AU PRODUIT ORIGINAL OU AUX PIÈCES DÉTACHÉES Y, OU SURVENANT DU FAIT DE SON INSTALLATION DE PIÈCES DÉTACHÉES Y.

LISTE DE PIÈCES

Pièce	Description	Quantité
1	Clôture de Guide	1
2	Rivet de Tête ronde	2
3	Vis de Clôture de Guide	1
4	Plaque de fond	1
5	Vis M6x16	1
6	Pièce de soutien angulaire	1
7	Anneau de blocage	1
8	Boulon de-tête-rond M6x10	1
9	Rondelle	1
10	Écrou papillon M6	1
11	Couverture de Lame	1
12	Bride de Lame	1
13	Épingle Printanière	1
14	Lame de scier	1
15	Bride Intérieure	1
16	Fuseau	1
17	Clé d'Arbre	1
18	Vis M4x8	4
19	Couverture	1
20	Garde de Lame	1
21	Vis M5x8	3
22	Palier 6001Z	1
23	Couverture Première	1
24	Entretoise	1
25	Vis M5x14	3
26	Engrenage	1
27	Rondelle Printanière	4
28	Rondelle Printanière	1
29	Anneau de Garde-boue	1
30	Palier de Pétrole	1
31	Boîtier	1
32	Printemps	1
33	Serrure de Fuseau	1

Pièce	Description	Quantité
34	Printemps	1
35	Levier de Garde de Lame	1
36	Anneau de Garde-boue	1
37	Écrou	1
38	Levier de Profondeur	1
39	Rondelle	1
40	Étagère	1
41	Boulon de-tête-rond M6x14	1
42	Boulon d'Hexagone M6x16	1
43	Palier 6000Z	1
44	Anneau de Garde-boue	1
45	Armature	1
46	Palier 607Z	1
47	Palier de la Pochette	1
48	Fan	1
49	Vis coupant filetage ST4.8x60	2
50	Stator	1
51	Boîtier	1
52	Vis M5x58	3
53	Support de Balai de carbone	2
54	Balai de carbone	2
55	Couverture de Balai de carbone	2
56	Écrou M5	2
57	Poignée Droite	1
58	Relief d'Effort	1
59	Vis coupant filetage ST4.2x14	2
60	Garde de Cordon de Pouvoir	1
61	Interrupteur	1
62	Cordon de Pouvoir	1
63	Condensateur 0.22 µF	1
64	Vis coupant filetage ST4.2x12	1
65	Poignée Gauche	1
66	Vis coupant filetage ST4.2x16	4

NOTEZ: Quelques pièces sont énumérées et montrées pour les buts d'illustration seulement et ne sont pas en vente individuellement comme les pièces détachées.

DIAGRAMME DE MONTAGE

