

---

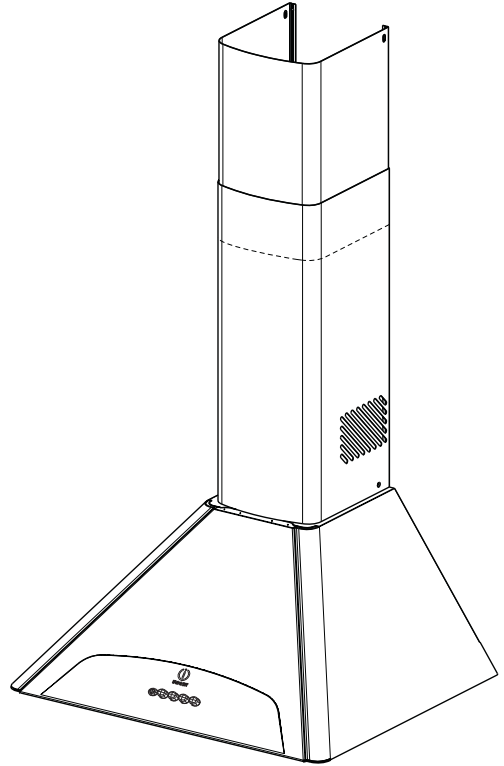
**Indesit**

**HI561 IXUK**

**HI591 IXUK**

**Commercial Codes**

**28113 + 28114**



**Instruction Booklet**

---

**Aura**

.....



.....

.....

<b>INSTALLATION .....</b>	<b>4</b>
Safety warnings .....	4
Components .....	4
Instructions for Installation .....	5
<i>Fixing the wall brackets (and splashback)</i> .....	5
<i>Fixing the canopy hood</i> .....	6
<i>Ducting or Recirculation fitting</i> .....	7
<i>Electrical connection and working test</i> .....	8
<i>Fitting the telescopic chimney stack</i> .....	8
<b>USE .....</b>	<b>9</b>
Safety warnings .....	9
Instruction for Use .....	9
<b>MAINTENANCE .....</b>	<b>10</b>
Metal grease filters .....	10
Charcoal filters .....	10
Worktop illumination .....	11
Cleaning .....	11

# INSTALLATION

This canopy hood is designed to be fixed to any rigid vertical surface, over a gas or electric hotplate and can be used either in the extraction mode (ducted to the outside) or in the recirculation mode (internal recycling).

## Safety warnings

- Before commencing the installation, consideration should be given to the difficulties to be found during installation and to the bulky weight of the hood. The installation work must be undertaken by a qualified and competent person in conformity to the rules concerning the evacuation of contaminated air. The manufacturer disclaims all liability for any damage or injury caused as a result of not following the instructions for installation contained in the following text.
- When used in the extraction mode the cooker hood ducting must not be connected to a flue which is used for exhausting fumes from appliances supplied with energy other than electric such as a central heating flue or water heating flue.
- When installed, the hood must be positioned at least 65 cm above a cooking appliance.
- Never do flambé cooking under this cooker hood.
- Never leave frying pans unattended during use as overheated fats and oils may catch fire.
- If the room where the cooker hood is to be used contains a fuel burning appliance such as a central heating boiler then this must be of the room sealed or balanced flue type. If other types of flue or appliance are fitted ensure that there is an adequate supply of air into the room. When the cooker hood is used in conjunction with other appliances supplied with energy other than electric, the negative pressure in the room must not exceed 0,04 mbar to prevent fumes being drawn back into the room by the cooker hood.

## Components

The cooker hood is made up of the following components (fig 1):

- n. 1 hood canopy **C** complete with controls, lighting and fan motor.
- n. 1 telescopic chimney stack formed by:
  - n. 1 U-shaped upper section item **S**
  - n. 1 U-shaped lower section item **I**
- n. 1 reduction flange  $\varnothing$  150-120 **A**
- n. 1 recirculation spigot item **R**
- n. 1 deflector **D** (special versions only)
- n. 1 plastic bag containing:
  - n. 1 wall brackets **1** to fix the canopy hood
  - n. 2 wall brackets **2** to fix the chimney, rawl plugs, screws, and documentation
- n. 1 splashback **B** (optional)

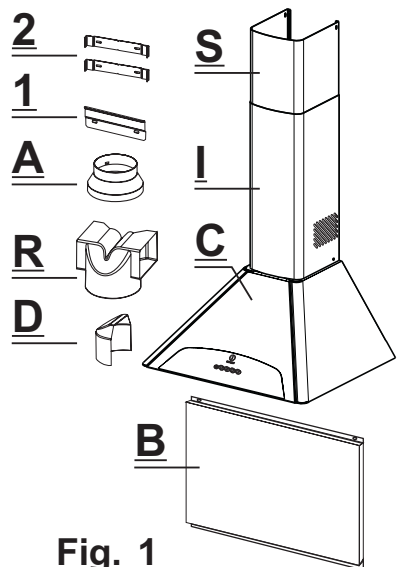


Fig. 1

## Instructions for Installation

For easy installation proceed as follows:

- Fix the wall brackets and Splashback.
- Fix the canopy.
- Set the hood for recirculation or evacuation.
- Connect the hood to the mains supply and ensure that it works properly.
- Fix the telescopic metal frame.

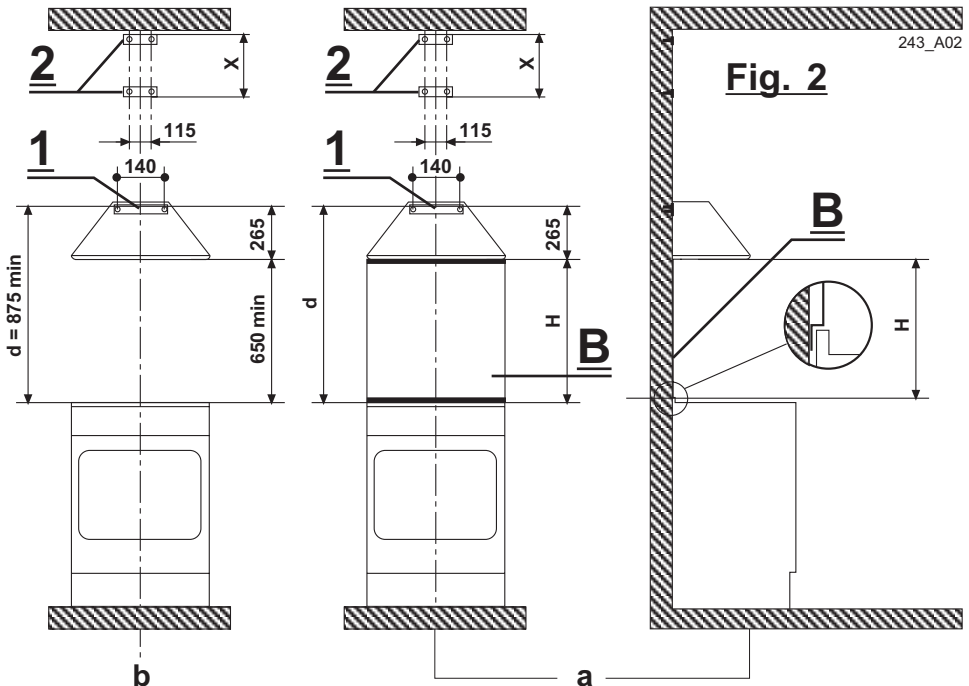
### Fixing the wall brackets (and splashback)

Ref. to Fig. 2a-b

- Draw a vertical line on the wall, from the centre of the cooking appliance up to the ceiling, using a marking pen. This is to ensure the correct vertical alignment of many components.

#### Fixing the wall brackets 1:

- Put the bracket **1** to the wall, aligning its marked centre across the vertical line, ensuring that the distance between the centres of the holes and the cooking area is as follows:
- Draw a horizontal line on the wall ensuring that the distance from the cooktop is as follows:
  - a) when the splashback is to be installed:  $d = 270 \text{ mm} + H$ , where **H** is the height of the visible part of the splashback; as the splashback can be of different heights, the correct **H** figure can only be obtained by measuring the actual height of the splashback to be fitted.
  - b) without splashback  $d = 875 \text{ mm}$  minimum.



**Note: ensure that the wall bracket (I) is levelled. The hood can be aligned or adjusted in height by rotating the adjustment screws (see below).**

- Mark on the wall the centres of the two keyholes of the bracket.

### Fixing the wall brackets item 2:

- Place one of the two brackets (item 2 fig. 1) 15 mm from the ceiling or from a horizontal line drawn between the top of the adjoining wall cabinets, ensuring that the bracket is level and mark the centres for the keyhole bracket fixing screws.
- Place the other wall bracket (item 2 fig. 1) on the wall at "X" distance. This measurement should be determined by the height of the upper chimney stack and mark the centres for the keyhole bracket fixing screws.
- Pilot drill all the hole positions as marked on the wall using an 8 mm drill and fix the wall brackets 1-2 using the rawl plugs and screws supplied.

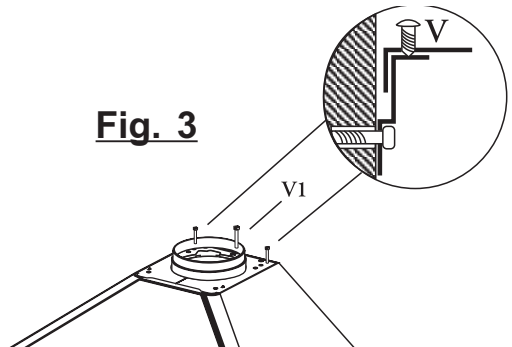
### Splashback (optional)

When a splashback is to be fitted, the distance between the cooker hood and the cooking appliances will be determined by the height of the splashback, item B. The splashback is to be installed **before** installing the canopy. If the splashback is to be fixed to the wall using both the **top** and **bottom** fixing holes care must be taken to ensure that the splashback is fitted at the **correct height** before fixing it into position. The fitting should be undertaken by a competent person with experience in this type of installation. If the splashback is to be fixed through **only** the **top** fixing holes proceeds as follows:

- Put the splashback on the worktop as illustrated in fig. 2a; then holding it against the wall to ensure that it is correctly positioned mark the holes for the top fixing screws on the wall.
- Pilot drill the wall using an 8 mm drill and fix the splashback using the 8 mm rawl plugs and screws supplied.
- If the fixing holes in the bottom of the splashback are not to be used to secure the splashback to the wall the installer should ensure that the bottom edge is tucked down behind the rear of the worktop.

### Fixing the canopy hood

- Adjust the two screws **V** (on the canopy connection points) to approximately half way.
- Hook the rear of the canopy to the wall bracket 1, after anchoring the latter to the wall.
- Turn the screws **V** to adjust the canopy vertically and level it horizontally.
- Fit and lock the central fixing screw **V1** (provided) to lock the canopy in place (fig.3).



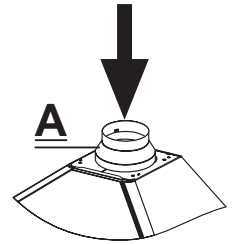
## Ducting or Recirculation fitting

### Ducting fitting

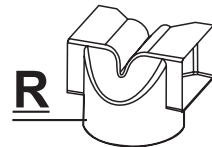
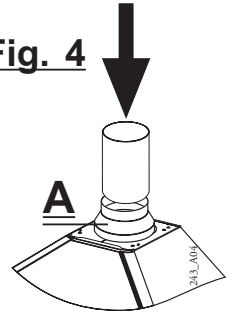
- The cooker hood can be ducted to the outside using either rigid or flexible fire retardant ducting of 120 or 150 mm. The choice is left to the installer. When 120 mm ducting is to be used it will be necessary to install the reduction flange item **A** on the air outlet **fig. 4**.
- The installer should provide suitable ducting and sealing material for the installation.
- The cooker hood can also be ducted to the outside through one of the rectangular openings located in either side of the lower section of the chimney stack. In this case the deflector (item **D**) should be fitted into the spigot (item **R**) to close the aperture which is not used (**fig. 5**).
- If the hood is provided with the charcoal filters fitted, the filters should be removed (see paragraph *Maintenance*).

### Recirculation fitting

- The filtered air is returned to the room through the two side grilles on U-shaped lower section **I**, which are either formed in the metal itself (**fig. 6**).
- Fit the recirculation spigot item **R** into the round outlet on top of the canopy while pressing down on the spigot until it snaps into position.
- Install the charcoal filters inside the canopy as instructed in paragraph *Maintenance*.

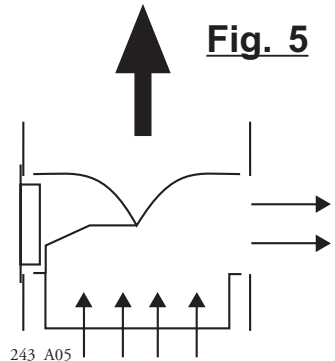
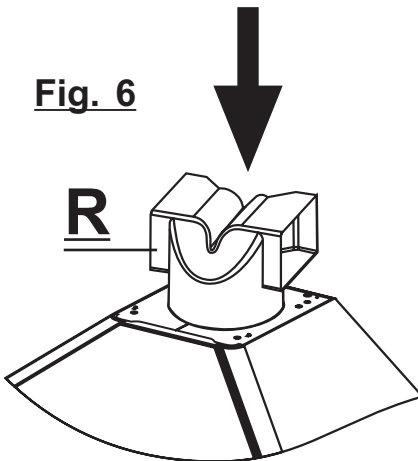


**Fig. 4**



**Fig. 5**

**Fig. 6**

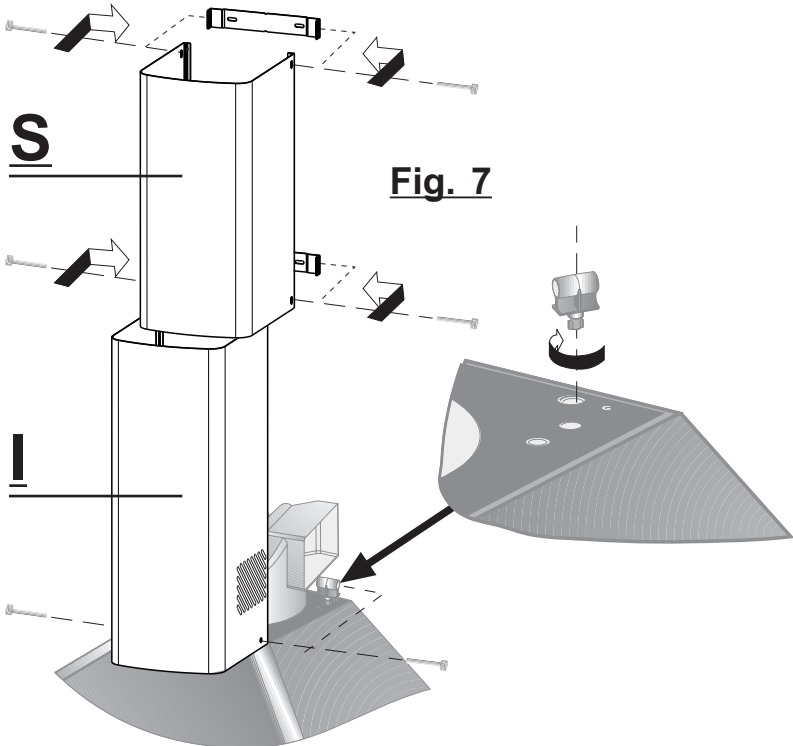


## Electrical connection and working test

- Before connecting to the mains supply ensure that the mains voltage corresponds with the voltage on the rating plate inside the hood.
- Connect the cooker hood to the mains via a double pole switch which has 3 mm clearance between the contacts.
- The appliance must be earthed.
- Once the electrical connection has been completed, check that worktop illumination, motor and speed work properly.

## Fitting the telescopic chimney stack

- *Fit* the two plastic supports provided to the top part of the hood.
- To fit the upper section item **S** first expand the chimney slightly to allow it to fit over the wall brackets (item **2** fig. 1) and then secure the upper section using the 4 screws supplied.
- The lower section item **I** of the chimney stack should be fitted between the lower bracket **2** and the wall.
- *Fix* the U-shaped section to the plastic supports, using two of the screws provided in the bag of accessories (fig. 7).





# USE

## Safety warnings

- Before carrying out any kind of maintenance or cleaning, disconnect the hood from the mains supply.
- The grease filters and the charcoal filter should be cleaned or replaced as recommended by the manufacturer or more frequently if the hood is used consistently over 4 hours per day.
- When using a gas hob in connection with the cooker hood never leave the burners of the hob uncovered while the hood is in use or when the pans have been removed. Switch off the gas before removing the pan, or for just short periods and never leave the hob unattended.
- Always ensure that the flame is kept at the correct intensity to prevent the flame from licking round from the bottom of the pan; this will save energy and will avoid a dangerous concentration of heat.
- Always ensure that the appliance is used in accordance with the manufacturer's instructions for the removal of contaminated air and odours during cooking.

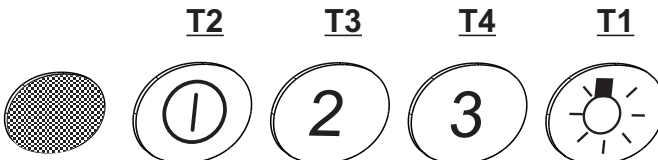
## Instruction for Use

### Control panel

- BUTTON **T1** = Turns the lighting system on and off;
- BUTTON **T2** = Turns the on and off at low speed. This is ideal to obtain a particularly silent but continuous flow of air when the level of cooking fumes is low;
- BUTTON **T3** = Medium speed, suitable for most normal operating conditions. This gives an excellent ratio between treated air flow and noise level;
- BUTTON **T4** = High speed, suitable to deal with heavy cooking fumes, even for long periods of time.



INDESIT



# MAINTENANCE

Regular maintenance and cleaning will ensure good performance and reliability, while extending the working life of the hood. Special attention should be paid to the grease filters and to the charcoal filters when the hood is used in the recirculation mode.

## Metal grease filters

### Cleaning

The metal grease filter should be cleaned every two months with normal usage and can be cleaned in a dishwasher or by hand using a mild detergent or liquid soap.

### Replacement

- Remove the filters one at a time, pushing the handle towards the rear of the hood (**fig. 8**).
- When replacing, ensure that the handle faces outwards.

**ATTENTION - THERE COULD BE A POSSIBLE FIRE HAZARD IF THE FILTERS ARE NOT REPLACED ACCORDING TO THESE INSTRUCTIONS.**

## Charcoal filters

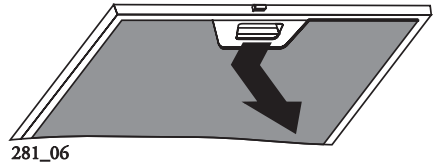
### Functioning

In the recycling mode the charcoal filters absorb smells and odours. This hood is designed to be fitted with two charcoal filters on both sides of the fan unit (**fig. 9**). The charcoal filter cannot be washed and should be replaced at least every 4 months or more frequently if the hood is used consistently.

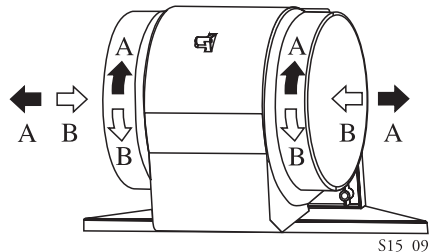
### Replacement

- To remove the charcoal filters place on hand on one filter at a time and turn it toward the front part.
- The charcoal filter can now be removed.
- Always ensure to replace both filters at the same time.

**ATTENTION - THERE COULD BE A POSSIBLE FIRE HAZARD IF THE FILTERS ARE NOT REPLACED ACCORDING TO THESE INSTRUCTIONS.**



**Fig. 8**



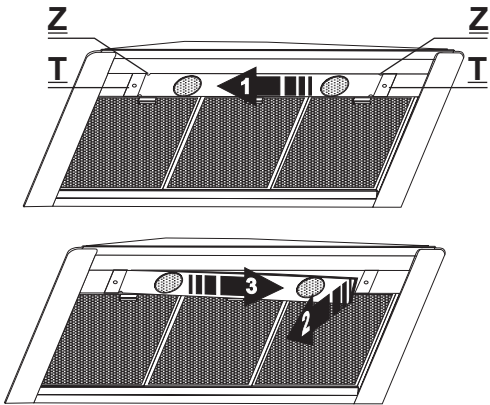
**Fig. 9**

## Worktop illumination

Worktop illumination is provided by 2 40W bulbs.

To replace the lighting elements proceed as follows:

- Remove the metal clips **T**.
- The glass diffuser is kept in position by the retaining lugs **Z**.
- Pull the glass diffuser slightly to one side until it disconnects from the lug on the other side (**arrow 1**), then pull slightly downwards (**arrow 2**) and slide in the opposite direction (**arrow 3**) until the glass diffuser can be removed.
- Replace the lamps or the neon strip and replace the glass diffuser by repeating the above operations in reverse order (**fig. 10**).



**Fig. 10**

## Cleaning

When cleaning the hood:

- Never use a wet cloth or sponge, or running water.
- Never use thinners or products containing alcohol, as they might damage the paintwork.
- Never use abrasive cleaning materials, in particular when cleaning stainless steel surfaces.

**It is recommended to use a damp cloth and mild liquid household cleaner.**



This appliance complies with European regulations on low voltages, EEC Directive 73/23 on electrical safety, and with the following European regulations: EEC Directive 89/336 on electromagnetic compatibility and EEC Directive 93/68 on EC marking.