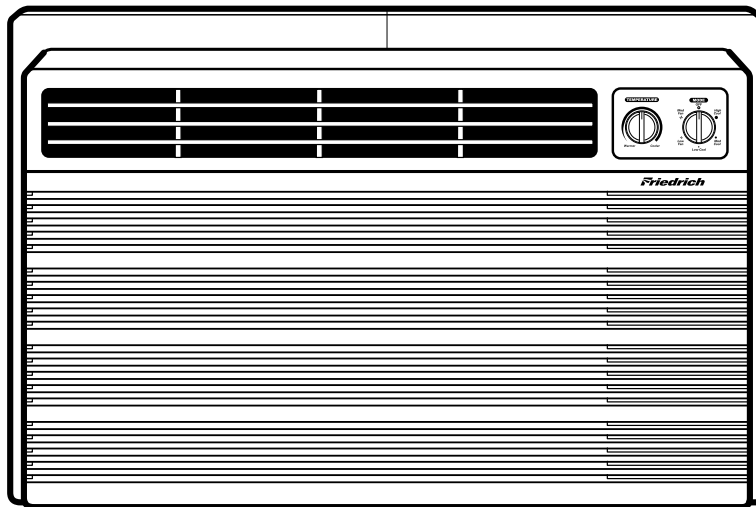




Thru-the-Wall Series Service and Parts Manual



Thru-the-Wall Series

- 115 Volts • UE08: Starting with serial number LGCK00001
- 230 Volts • UE10: Starting with serial number LGDK00001
- UE12: Starting with serial number LGDK00001

CONTENTS

1. PREFACE

1.1 SAFETY PRECAUTIONS	2
1.2 INSULATION RESISTANCE TEST.....	2
1.3 SPECIFICATIONS	3
1.4 FEATURES	4
1.5 CONTROL LOCATIONS.....	4

2. DISASSEMBLY INSTRUCTIONS

2.1 MECHANICAL PARTS.....	5
2.1.1 FRONT GRILLE	5
2.1.2 CABINET.....	5
2.1.3 CONTROL BOX	5
2.2 AIR HANDLING PARTS.....	6
2.2.1 ORIFICE, HEATER ASSY AND TURBO FAN	6
2.2.2 FAN.....	6
2.2.3 SHROUD.....	7
2.3 ELECTRICAL PARTS	7
2.3.1 MOTOR.....	7
2.3.2 COMPRESSOR	7
2.3.3 CAPACITOR	7
2.3.4 POWER CORD	8
2.3.5 THERMOSTAT	8
2.3.6 ROTARY SWITCH.....	8

2.4 REFRIGERATION CYCLE.....	9
2.4.1 CONDENSER	9
2.4.2 EVAPORATOR	9
2.4.3 CAPILLARY TUBE.....	9

3. TROUBLESHOOTING GUIDE

3.1 OUTSIDE DIMENSIONS.....	12
3.2 PIPING SYSTEM	12
3.3 TROUBLESHOOTING GUIDE.....	13

4. SCHEMATIC DIAGRAM

4.1 CIRCUIT DIAGRAM.....	18
--------------------------	----

5. EXPLODED VIEW

6. REPLACEMENT PARTS LIST

1. PREFACE

This SERVICE MANUAL provides various service information, including the mechanical and electrical parts etc. This room air conditioner was manufactured and assembled under a strict quality control system. The refrigerant is charged at the factory. Be sure to read the safety precautions prior to servicing the unit.

1.1 SAFETY PRECAUTIONS

1. When servicing the unit, set the ROTARY SWITCH or POWER SWITCH to OFF(O) and unplug the power cord.
2. Observe the original lead dress.
If a short circuit is found, replace all parts which have been overheated or damaged by the short circuit.
3. After servicing the unit, make an insulation resistance test to protect the customer from being exposed to shock hazards.

1.2 INSULATION RESISTANCE TEST

1. Unplug the power cord and connect a jumper between 2 pins (black and white).
2. The grounding conductor (green or green & yellow) is to be open.
3. Measure the resistance value with an ohm meter between the jumpered lead and each exposed metallic part on the equipment at all the positions (except OFF or O) of the ROTARY SWITCH or POWER SWITCH.
4. The value should be over 1MΩ.

1.3 SPECIFICATIONS

1.3.1 FOR UE08A13B/UE10A33B/UE12A33B

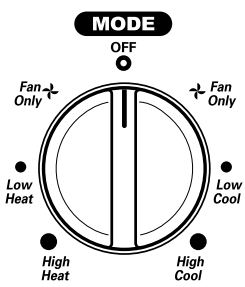
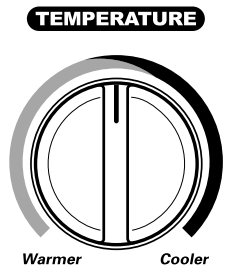
ITEMS		MODELS	UE08A13B	UE10A33B	UE12A33B	REMARK
POWER SUPPLY			1Ø, 115V, 60Hz	1Ø, 208/ 230V, 60Hz		
COOLING	CAPACITY (Btu/h)		8,000	9,800/10,000	11,200/11,500	
	INPUT (W)		830	1,040/1,060	1,270/1,310	
	RUNNING CURRENT (A)		7.5	5.2/4.7	6.2/5.8	
	E.E.R. (Btu/W.h)		9.6	9.4	8.8	
HEATING	CAPACITY (Btu/h)		3,850	9,200/11,200		
	INPUT (W)		1,230	2,900/3,500		
	RUNNING CURRENT (A)		10.7	14.0/15.3		
OPERATING TEMPERATURE	COOLING	INDOOR (°C)	26.7 (DB) 19.4 (WB)			
		OUTDOOR (°C)	35 (DB) 23.9 (WB)			
	HEATING	INDOOR (°C)	21.1 (DB) 15.6 (WB)			
		OUTDOOR (°C)	8.3 (DB) 6.1 (WB)			
REFRIGERANT (R-22) CHARGE(g)			405(14.3 OZ)	465(16.4 OZ)	505(17.8 OZ)	
EVAPORATOR			2 ROW 12 STACKS		2 ROW 12 STACKS	S-FIN(HALF)-
CONDENSER			2 ROW 17 STACKS, L-BENDED TYPE			FIN TYPE
FAN, INDOOR			TURBO FAN			
FAN, OUTDOOR			PROPELLER TYPE FAN WITH SLINGER-RING			
FAN SPEEDS (FAN/COOLING/HEATING)			1/ 2/ 2			
FAN MOTOR			6 POLES			
OPERATION CONTROL			ROTARY SWITCH			
ROOM TEMP. CONTROL			THERMOSTAT			
AIR DIRECTION CONTROL			VERTICAL LOUVER (RIGHT & LEFT)			
			HORIZONTAL LOUVER (UP & DOWN)			
CONSTRUCTION			TOP-DOWN			
ELECTRIC HEATER			1.2KW, 115V	3.5KW, 208/230V		
PROTECTOR	COMPRESSOR		EXTERNAL OVERLOAD PROTECTOR			
	FAN MOTOR		INTERNAL THERMAL PROTECTOR			
	ELECTRIC HEATER		FUSE LINK, BIMETAL THERMOSTAT			
POWER CORD			1.6m (3 WIRE WITH GROUDING)			
			ATTACHMENT PLUG (CORD-CONNECTED TYPE)			
DRAIN SYSTEM			SPLASHED BY FAN SLINGER			
NET WEIGHT	(lbs/kg)		73/33	80/36	81/37	
DIMENSION (W x H x D)	(inch)		24 ^{21/32} x 14 ^{13/32} x 19 ^{21/32}			
	(mm)		626 x 366 x 499			
SLEEVE DIMESION (W x H x D)	(inch)		25 ^{7/8} x 15 ^{17/32} x 16 ^{23/32}			OPTIONAL PART
	(mm)		656 x 394 x 425			
SLEEVE DEPTH WITH FRONT GRILLE	(inch)		20			
	(mm)		510			

1.4 FEATURES

- Designed for cooling only.
- Powerful and quiet cooling.
- Top-down chassis for the simple installation and service.
- Built in adjustable THERMISTOR and THERMOSTAT.
- Washable one-touch filter.
- Compact size.

1.5 CONTROL LOCATIONS

• OPERATION

 <p>MODE</p> <p>OFF</p> <p>Fan Only</p> <p>Low Cool</p> <p>High Cool</p> <p>Low Heat</p> <p>High Heat</p>	<p>Off - Turns the air conditioner off.</p> <p>Fan Only - The low fan speed operation without cooling (heating).</p> <p>Low Cool - Cooling with the low speed fan operation.</p> <p>High Cool - Cooling with the high speed fan operation.</p> <p>Low Heat - Heating with the low speed fan operation.</p> <p>High Heat - Heating with the high speed fan operation.</p>
 <p>TEMPERATURE</p> <p>Warmer</p> <p>Cooler</p>	<p>Turn the Temperature Knob to the desired setting. The central position is a normal setting for average conditions. You can change this setting, if necessary, in accordance with your temperature preference.</p> <p>The thermostat automatically controls cooling or heating, but the fan runs continuously whenever the air conditioner is in operation. If the room is too warm, turn the thermostat control clockwise. If the room is too cool, turn the thermostat control counterclockwise.</p>

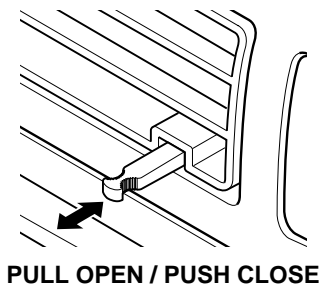
CAUTION

When the air conditioner has been operating in the cooling or heating mode and is turned off or set to the fan only position, wait at least 3 minutes before resetting to the cooling operation again.

A slight burning odor may come from the unit when first switching to HEAT after the cooling season is over. This odor, caused by fine dust particles on the heater, will disappear quickly. This is normal operation.

• VENTILATION

Push the lever to the "CLOSE" position to cool, heat or recirculate room air only.
 Pull the lever to the "OPEN" position to exhaust smoke or stale air from the room.
 This feature is best used in conjunction with the FAN ONLY position.



2. DISASSEMBLY INSTRUCTIONS

— Prior to disassembling the unit, make sure that the POWER switch is set to OFF and the power cord is unplugged from the wall receptacle.

2.1 MECHANICAL PARTS

2.1.1 FRONT GRILLE

1. Open the inlet grille downward.
2. Remove the screw which fastens the front grille.
3. Pull the front grille from the right side.
4. Remove the front grille. (See Fig. 1)
5. Re-install the component by referring to the removal procedure.

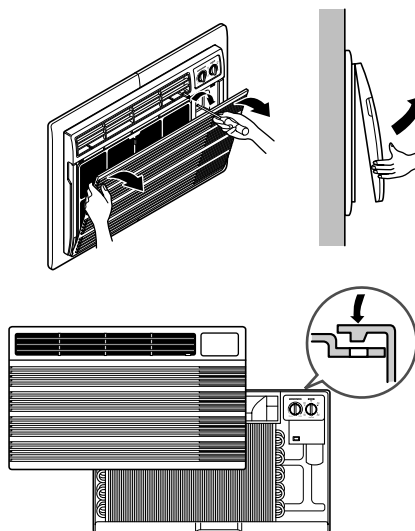


Figure 1

2.1.2 CABINET

1. After disassembling the FRONT GRILLE, remove the 9 screws which fasten the cabinet at the both sides and the top. (See Fig. 2)
Keep these for later use.

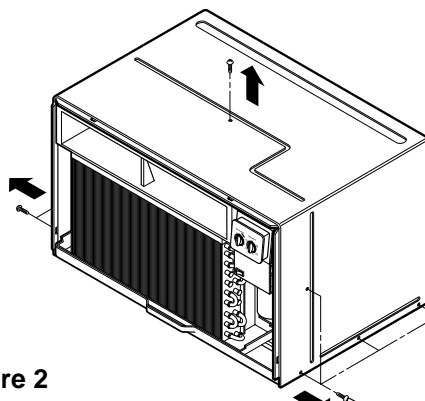


Figure 2

2.1.3 CONTROL BOX

1. Remove the front grille. (Refer to section 2.1.1)
2. Remove the screw which fasten the control box. (See Fig. 3)
3. Pull the control box from the barrier. (See Fig. 3)
4. Discharge the capacitor by placing a 20,000 ohm resistor across the capacitor terminals.
5. Disconnect two wire housings in the control box.
6. Pull the control box forward completely.
7. Re-install the components by referring to the removal procedure. (See Fig. 3)
(Refer to the circuit diagram found on pages 29~30 in this manual and on the control box.)

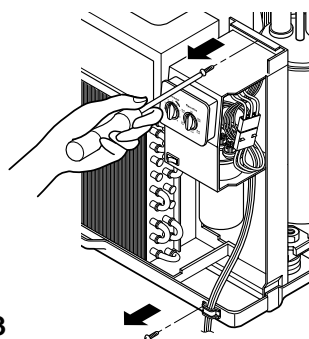


Figure 3

2.2 AIR HANDLING PARTS

2.2.1 ORIFICE, HEATER ASSY AND TURBO FAN

1. Remove the front grille. (Refer to section 2.1.1)
2. Remove the cabinet. (Refer to section 2.1.2)
3. Remove the 2 screws which fasten the evaporator at the left side and the right side. (See Fig. 4)
4. Move the evaporator sideward carefully.
5. Remove the 2 terminals carefully (See Fig. 5, Electric Heater Model only)
6. Remove the 4 screws which fasten the orifice. (See Fig. 5)
7. Remove the orifice. (See Fig. 5)

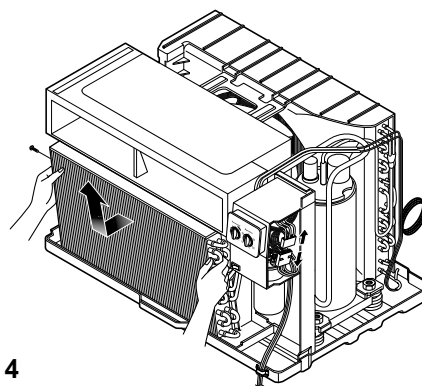


Figure 4

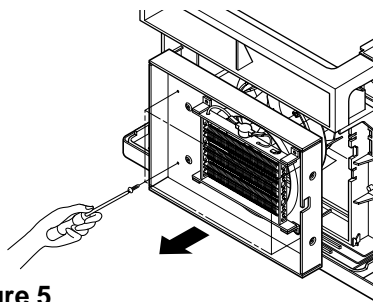


Figure 5

8. Using handheld pliers, remove the clamp which secures the turbo fan. (See Fig. 6)

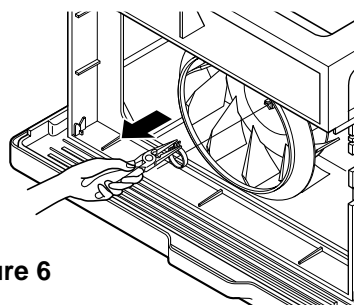


Figure 6

9. Remove the turbo fan with pliers or your hand, without touching blades. (See Fig. 7)
10. Re-install the components by referring to the removal procedures, above.

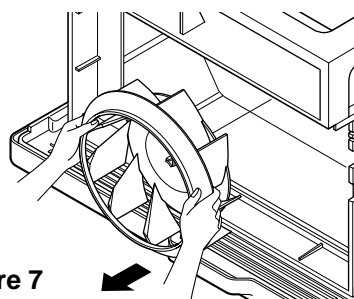


Figure 7

2.2.2 FAN

1. Remove the cabinet. (Refer to section 2.1.2)
2. Remove the brace and shroud cover. (Refer to section 2.2.1)
3. Remove the 6 screws which fasten the condenser.
4. Move the condenser sideways carefully.
5. Using handheld pliers, remove the clamp which secures the fan.
6. Remove the fan. (See Fig. 8)
7. Re-install the components by referring to the removal procedures, above.

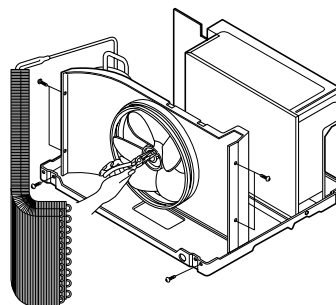


Figure 8

2.2.3 SHROUD

1. Remove the fan. (Refer to section 2.2.2)
2. Remove the screw which fastens the shroud.
3. Remove the shroud. (See Fig. 9)
4. Re-install the components by referring to the removal procedures, above.

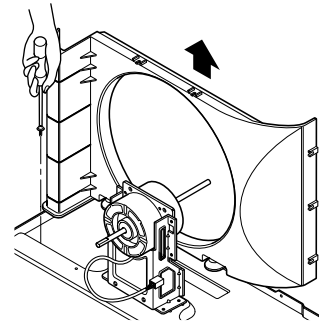


Figure 9

2.3 ELECTRICAL PARTS

2.3.1 MOTOR

1. Remove the cabinet. (Refer to section 2.1.2)
2. Remove the clamp cord and disconnect the wire housing in control box. (Refer to section 2.1.3)
3. Remove the turbo fan. (Refer to section 2.2.2)
4. Remove the fan. (Refer to section 2.2.2)
5. Remove the 4 or 2 screws which fasten the motor. (See Fig. 10)
6. Remove the motor.
7. Re-install the components by referring to the removal procedures, above.

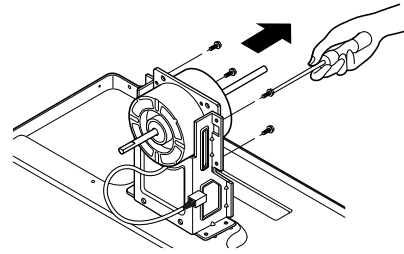


Figure 10

2.3.2 COMPRESSOR

1. Remove the cabinet. (Refer to section 2.1.2)
2. Discharge the refrigerant system using a Freon™ Recovery System. Install a valve for the recovery, before venting the Freon. Remove the valve when finished.
3. Disconnect the 3 leads from the compressor.
4. After purging the unit completely, unbrazed the suction and discharge tubes at the compressor connections.
5. Remove the 3 nuts and the 3 washers which fasten the compressor. (See Fig. 11)
6. Remove the compressor.
7. Re-install the components by referring to the removal procedures, above.

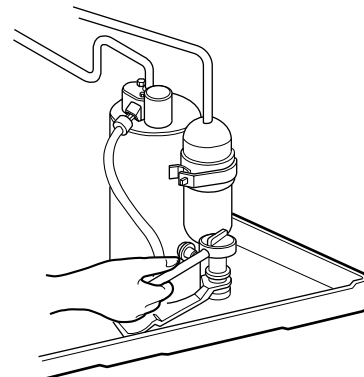


Figure 11

2.3.3 CAPACITOR

1. Remove the control box. (Refer to section 2.1.3)
2. Remove knobs and the tips which fasten the display panel.
3. Remove 2 screws and unfold the control box. (See Fig. 12)
4. Remove the Rotary Switch.
5. Remove the screw and the clamp which fastens the capacitor. (See Fig. 12)
6. Disconnect all the leads on the capacitor terminals.
7. Re-install the components by referring to the removal procedures, above.

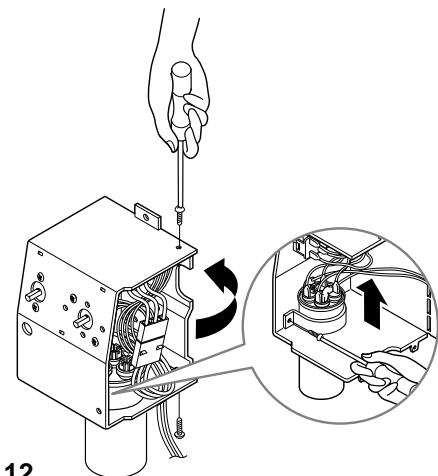


Figure 12

2.3.4 POWER CORD

1. Remove the control box. (Refer to section 2.1.3)
2. Unfold the control box. (Refer to section 2.3.3)
3. Disconnect the grounding screw from the control box.
4. Disconnect 2 receptacles.
5. Remove a screw which fastens the clip cord.
6. Pull the power cord. (See Fig. 13)
7. Re-install the components by referring to the removal procedure, above.
(Use only one ground-marked hole, ⊕, for ground connection.)
8. If the supply cord of this appliance is damaged, it must be replaced with the factory-authorized and specified cord.

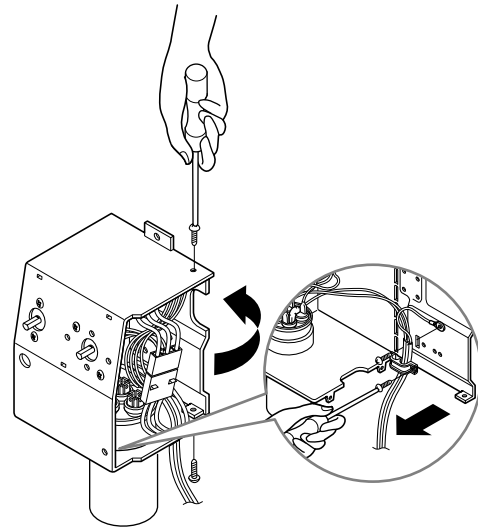


Figure 13

2.3.5 THERMOSTAT

1. Remove the control box. (Refer to section 2.1.3)
2. Unfold the control box. (Refer to section 2.3.3)
3. Remove the 2 screws which fasten the thermostat.
4. Disconnect all the leads of thermostat terminals.
5. Remove the thermostat. (See Fig. 14)
6. Re-install the components by referring to the removal procedures, above.

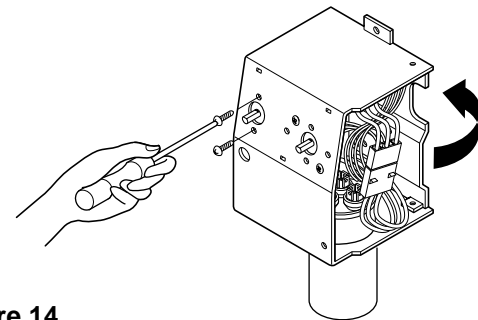


Figure 14

2.3.6 ROTARY SWITCH

1. Remove the control box. (Refer to section 2.1.3)
2. Unfold the control box. (Refer to section 2.3.3)
3. Remove 2 screws which fasten the rotary switch.
4. Disconnect all the leads of the rotary switch terminals.
5. Remove the rotary switch. (See Fig. 15)
6. Re-install the components by referring to the removal procedure, above.

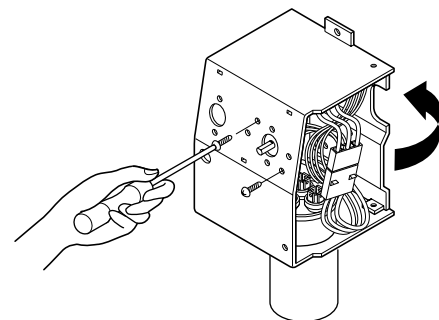


Figure 15

2.4 REFRIGERATION CYCLE

CAUTION

Discharge the refrigerant system using a Freon™ Recovery System. Install a valve for the recovery before venting the Freon. Remove the valve when finished.

2.4.1 CONDENSER

1. Remove the cabinet. (Refer to section 2.1.2)
2. Remove the brace and the shroud cover. (Refer to section 2.2.1)
3. Remove the 5 screws which fasten the condenser.
4. After discharging the refrigerant completely into a Freon™ Recovery System, unbrazed the interconnecting tube at the condenser connections.
5. Remove the condenser.
6. Re-install the components by referring to the notes – on pages 13-14. (See Fig. 16)

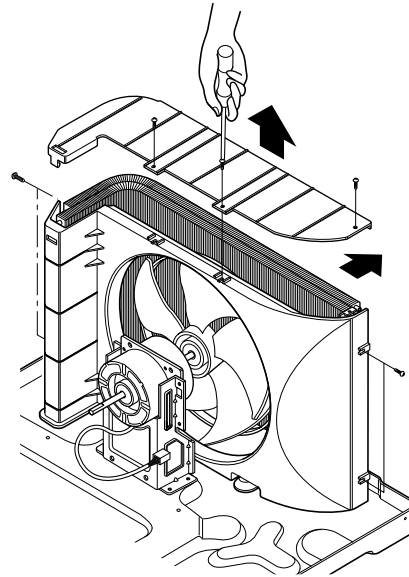


Figure 16

2.4.2 EVAPORATOR

1. Remove the cabinet. (Refer to section 2.1.2)
2. Discharge the refrigerant completely – into a Freon™ Recovery System.
3. Remove the 2 screws which fasten the evaporator at the left side and the right side.
4. Move the evaporator sideward carefully and then unbrazed the interconnecting tube at the evaporator connectors.
5. Remove the evaporator.
6. Re-install the components by referring to the notes – on pages 13-14. (See Fig. 17)

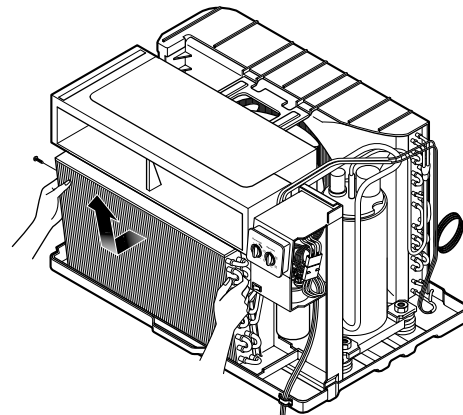


Figure 17

2.4.3 CAPILLARY TUBE

1. Remove the cabinet. (Refer to section 2.1.2)
2. After discharging the refrigerant completely – into a Freon™ Recovery System, unbrazed the interconnecting tube at the capillary tube.
3. Remove the capillary tube.
4. Re-install the components by referring to the notes – on page 13-14.

NOTES

— Replacement of the refrigeration cycle.

1. When replacing the refrigeration cycle, be sure to discharge the refrigerant system using a Freon™ recovery System.
Install a valve for the recovery before venting the Freon. Remove the valve when finished.
2. After discharging the unit completely, remove the desired component, and unbrace the pinch-off tubes.
3. Solder service valves into the pinch-off tube ports, leaving the valves open.
4. Solder the pinch-off tubes with Service valves.
5. Evacuate as follows.
 - 1) Connect the vacuum pump, as illustrated Fig. 18A.
 - 2) Start the vacuum pump, slowly open manifold valves A and B with two full turns counterclockwise and leave the valves closed. The vacuum pump is now pulling through valves A and B up to valve C by means of the manifold and entire system.

CAUTION

If high vacuum equipment is used, just crack valves A and B for a few minutes, then open slowly with the two full turns counterclockwise. This will keep oil from foaming and being drawn into the vacuum pump.

- 3) Operate the vacuum pump for 20 to 30 minutes, until 600 microns of vacuum is obtained. Close valves A and B, and observe vacuum gauge for a few minutes. A rise in pressure would indicate a possible leak or moisture remaining in the system. With valves A and B closed, stop the vacuum pump.
- 4) Remove the hose from the vacuum pump and place it on the charging cylinder. See Fig. 18B. Open valve C.
Discharge the line at the manifold connection.
- 5) The system is now ready for final charging.

6. Recharge as follows :

- 1) Refrigeration cycle systems are charged from the High-side. If the total charge cannot be put in the High-side, the balance will be put in the suction line through the access valve which you installed as the system was opened.
- 2) Connect the charging cylinder as shown in Fig. 18B. With valve C open, discharge the hose at the manifold connection.
- 3) Open valve A and allow the proper charge to enter the system. Valve B is still closed.
- 4) If more charge is required, the high-side will not take it. Close valve A.
- 5) With the unit running, open valve B and add the balance of the charge.
 - a. Do not add the liquid refrigerant to the Low-side.
 - b. Watch the Low-side gauge; allow pressure to rise to 30 lbs.
 - c. Turn off valve B and allow pressure to drop.
 - d. Repeat steps B and C until the balance of the charge is in the system.
- 6) When satisfied the unit is operating correctly, use the pinch-off tool with the unit still running and clamp on to the pinch-off tube. Using a tube cutter, cut the pinch-off tube about 2 inches from the pinch-off tool. Use sil-fos solder and solder pinch-off tube closed. Turn off the unit, allow it to set for a while, and then test the leakage of the pinch-off connection.

Equipment needed: Vacuum pump, Charging cylinder, Manifold gauge, Brazing equipment. Pinch-off tool capable of making a vapor-proof seal, Leak detector, Tubing cutter, Hand Tools to remove components, Service valve.

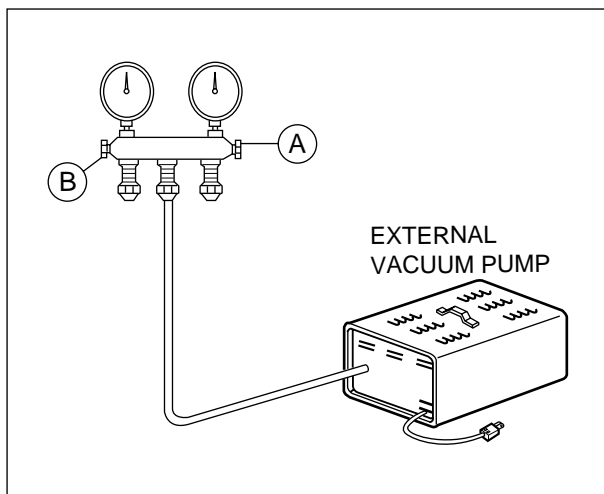
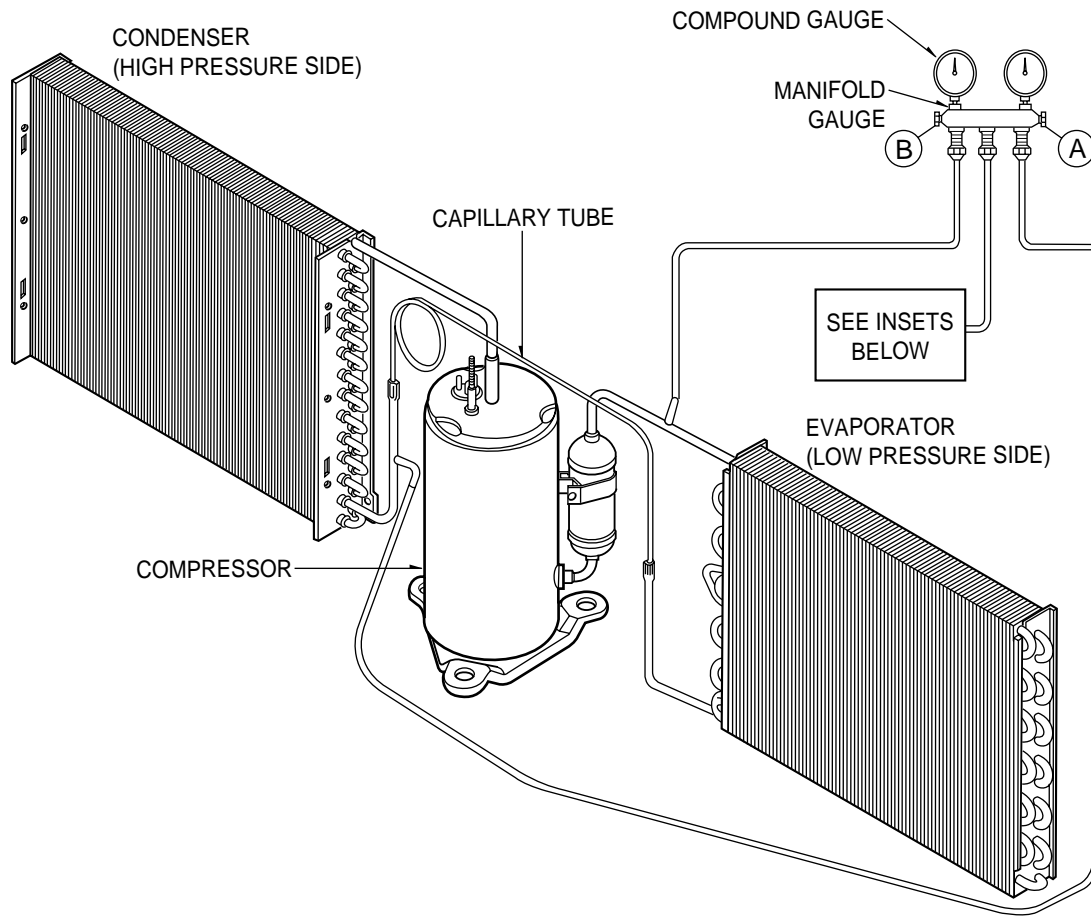


Figure 18A-Pulling Vacuum

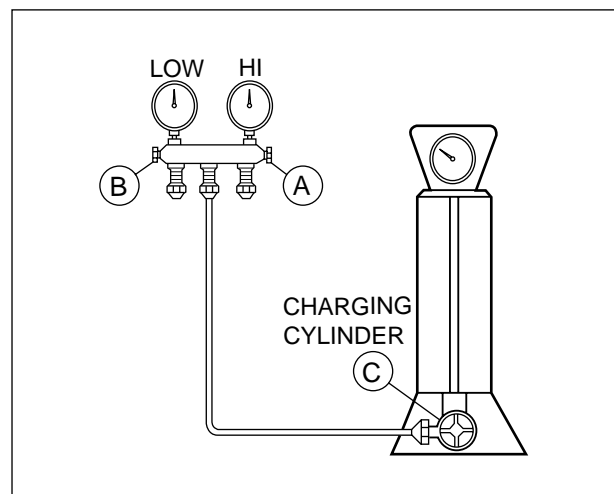
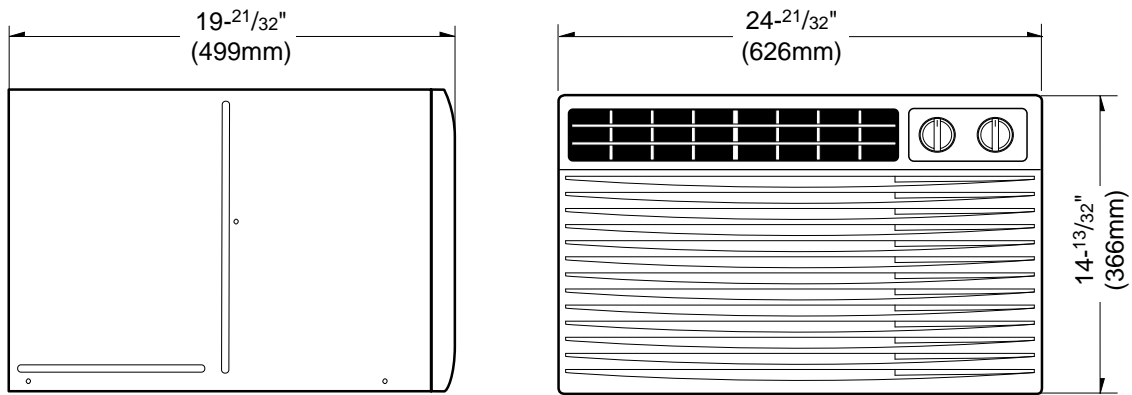


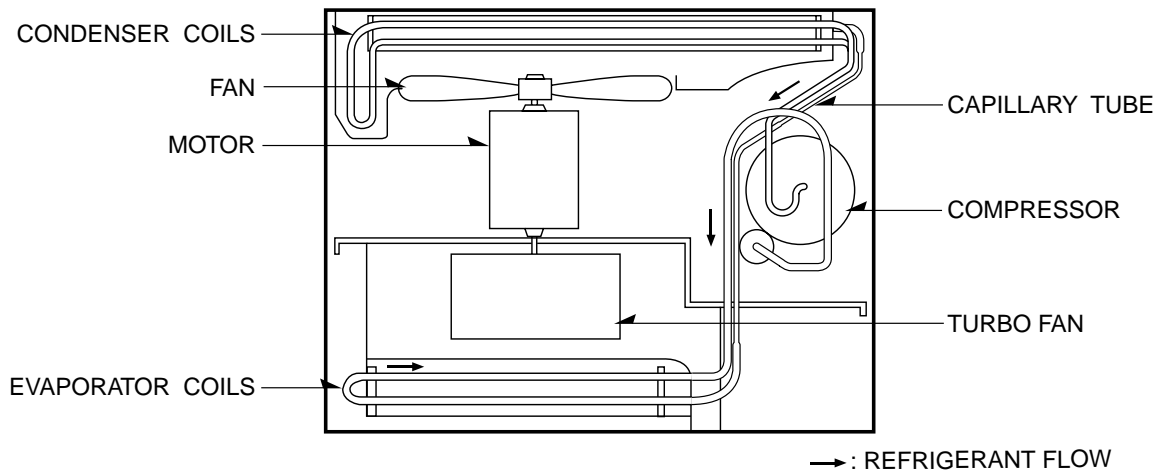
Figure 18B-Charging

3. TROUBLESHOOTING GUIDE

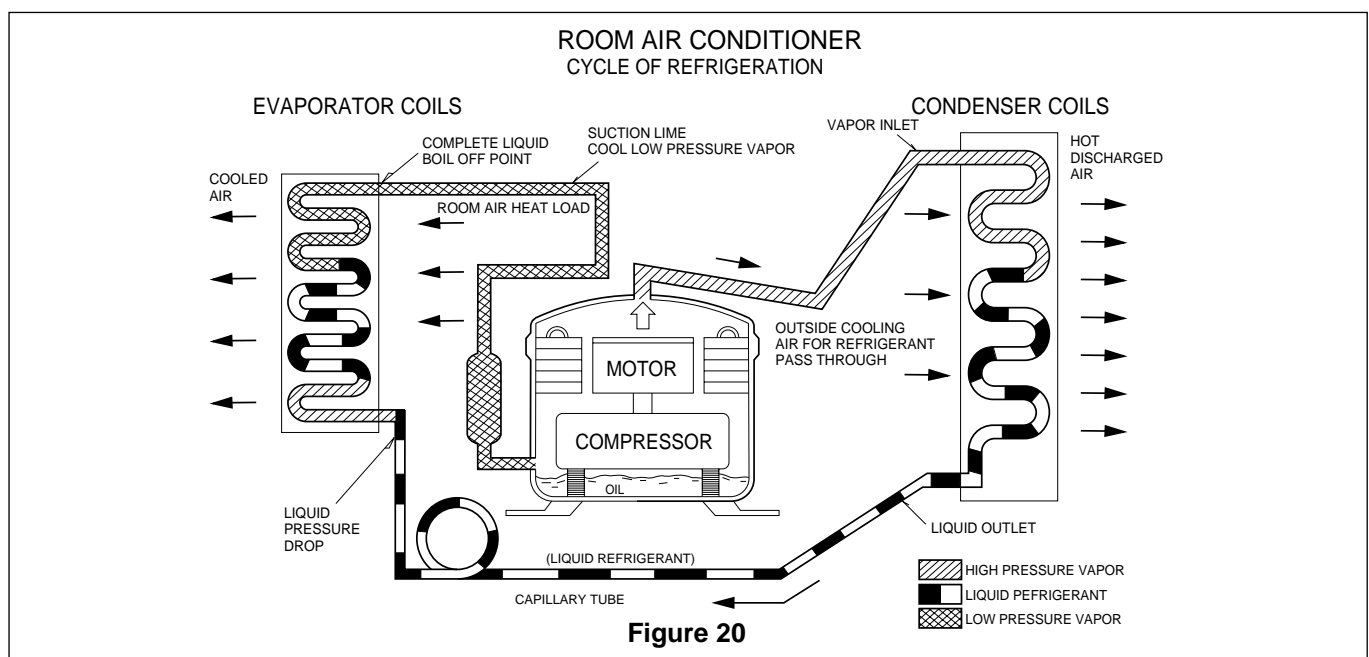
3.1 OUTSIDE DIMENSIONS



3.2 PIPING SYSTEM



Following is a brief description of the important components and their functions in the refrigeration system. Refer to Fig. 20 to follow the refrigeration cycle and the flow of the refrigerant in the cooling cycle.

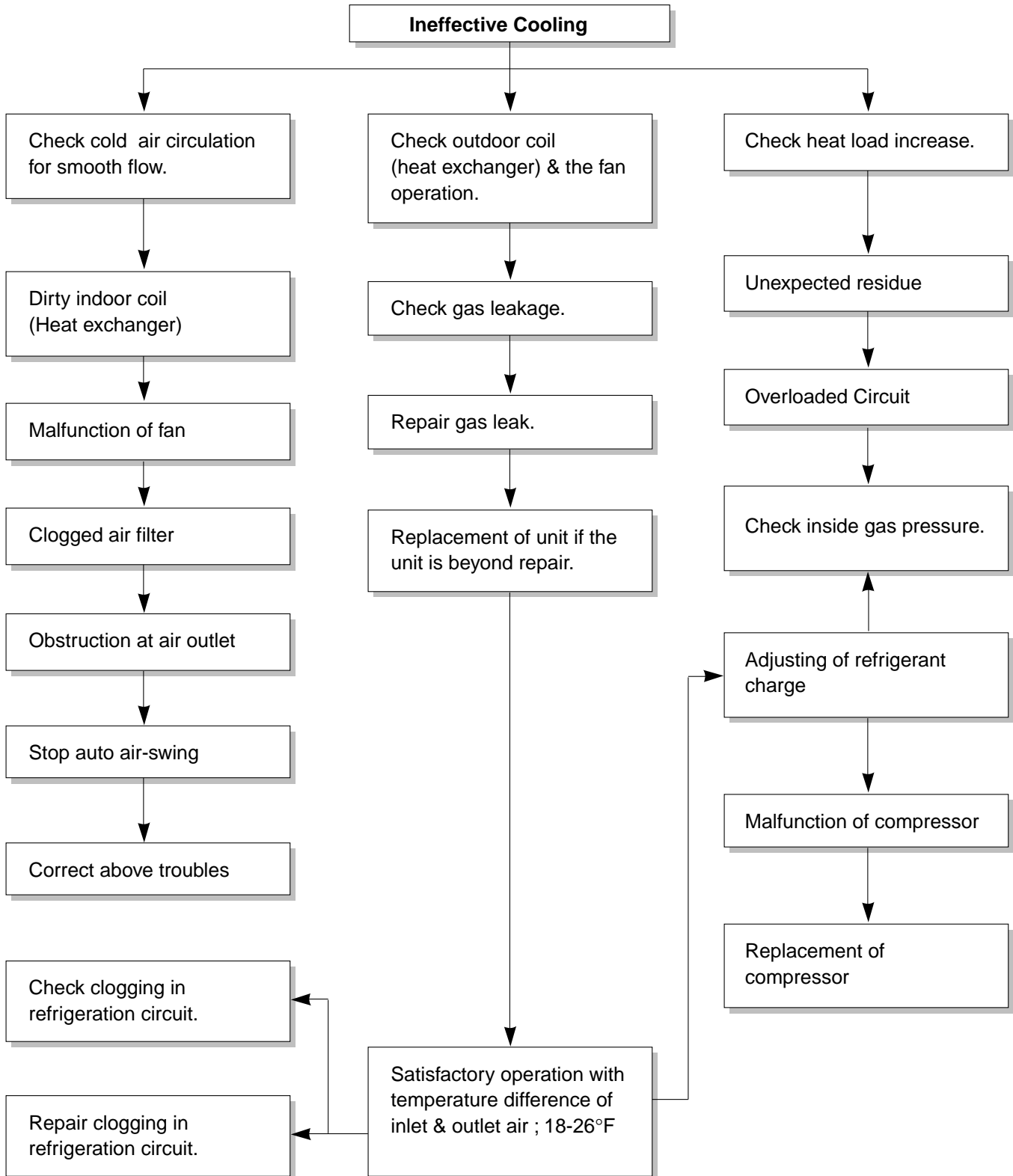


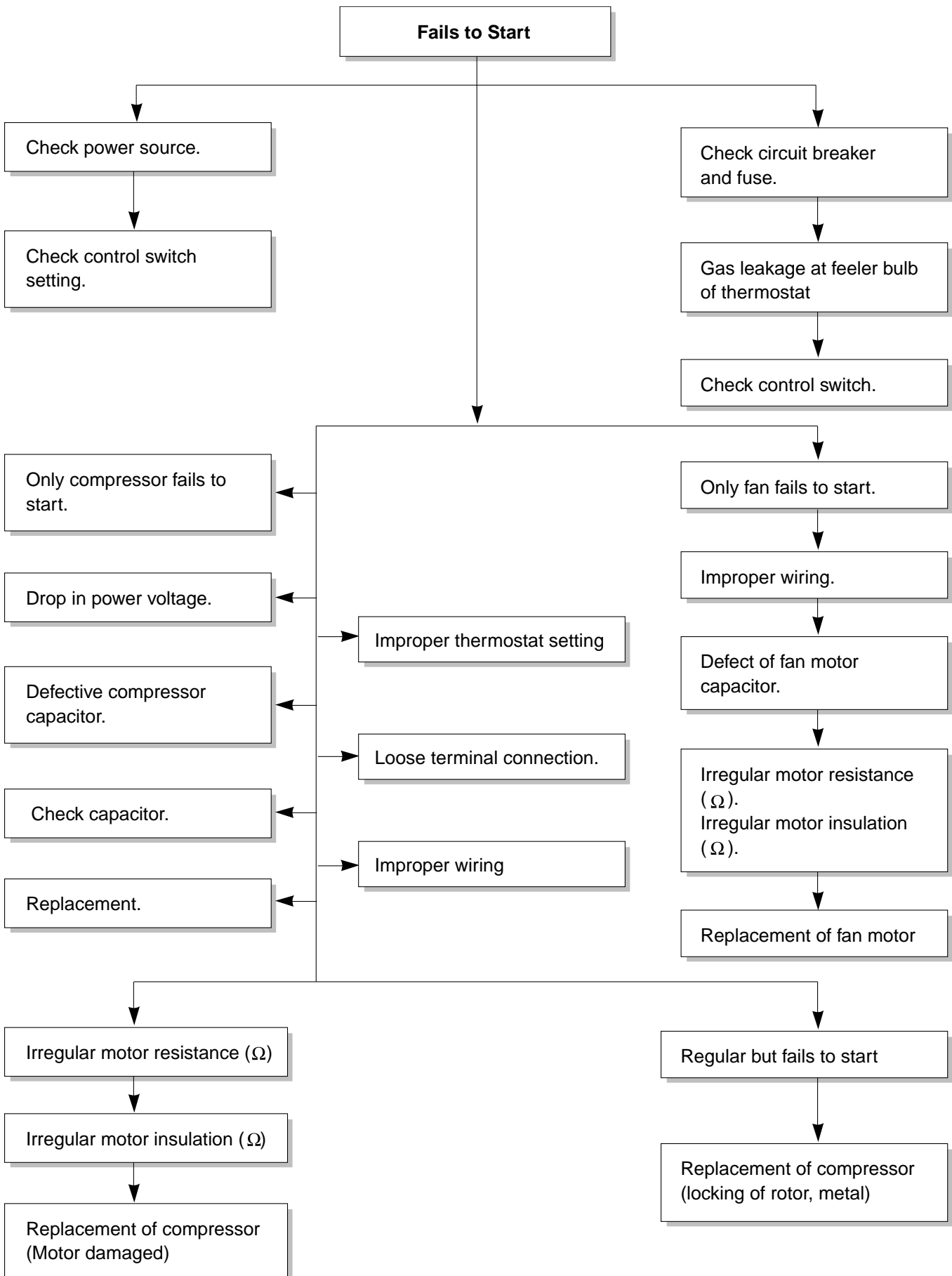
3.3 TROUBLESHOOTING GUIDE

In general, possible trouble is classified in two causes.

The one is called Starting Failure which is caused from an electrical defect, and the other is Ineffective Air Conditioning caused by a defect in the refrigeration circuit and improper application.

Unit is running but cooling is ineffective





COMPLAINT	CAUSE	REMEDY
Fan motor will not run.	No power	Check voltage at outlet. Correct if none.
	Power supply cord	Check voltage to rotary switch. If none, check power supply cord. Replace cord if circuit is open.
	Rotary switch	Check switch continuity. Refer to wiring diagram for terminal identification. Replace switch if defective.
	Wire disconnected or connection loose	Connect wire. Refer to wiring diagram for terminal identification. Repair or replace loose terminal.
	Capacitor (Discharge capacitor before testing.)	Test capacitor. Replace if not within $\pm 10\%$ of manufacturer's rating. Replace if shorted, open, or damaged.
	Will not rotate	<p>Fan blade hitting shroud or blower wheel hitting scroll. Realign assembly.</p> <p>Units using slinger ring condenser fans must have $\frac{1}{4}$ to $\frac{5}{16}$ inch clearance to the base. If it is hitting the base, shim up the bottom of the fan motor with mounting screw(s).</p> <p>Check fan motor bearings; if motor shaft will not rotate, replace the motor.</p>
Fan motor runs intermittently	Revolves on overload.	<p>Check voltage. See limits on page 18. If not within limits, call an electrician.</p> <p>Test capacitor. Check bearings. Does the fan blade rotate freely? If not, replace fan motor.</p> <p>Pay attention to any change from high speed to low speed. If the speed does not change, replace the motor.</p>
Fan motor noise.	Grommets	Check grommets; if worn or missing, replace them.
	Fan Blade	If cracked, out of balance, or partially missing, replace it.
	Turbo fan	If cracked, out of balance, or partially missing, replace it.
	Loose set screw	Tighten it.
	Worn bearings	If knocking sounds continue when running or loose, replace the motor. If the motor hums or noise appears to be internal while running, replace motor.

COMPLAINT	CAUSE	REMEDY
Compressor will not run, but fan motor runs.	Voltage	Check voltage. See the limits at the bottom of this page. If not within limits, call an electrician.
	Wiring	Check the wire connections, if loose, repair or replace the terminal. If wires are off, refer to wiring diagram for identification, and replace. Check wire locations. If not per wiring diagram, correct.
	Rotary	Check for continuity, refer to the wiring diagram for terminal identification. Replace the switch if circuit is open.
	Thermostat	Check the position of knob. If not at the coldest setting, advance the knob to this setting and restart unit. Check continuity of the thermostat. Replace thermostat if circuit is open.
	Capacitor (Discharge capacitor before servicing.)	Check the capacitor. Replace if not within $\pm 10\%$ of manufacturer's rating. Replace if shorted, open, or damaged.
	Compressor	Check the compressor for open circuit or ground. If open or grounded, replace the compressor.
	Overload	Check the compressor overload, if externally mounted. Replace if open. (If the compressor temperature is high, remove the overload, cool it, and retest.)

ROOM AIR CONDITIONER VOLTAGE LIMITS

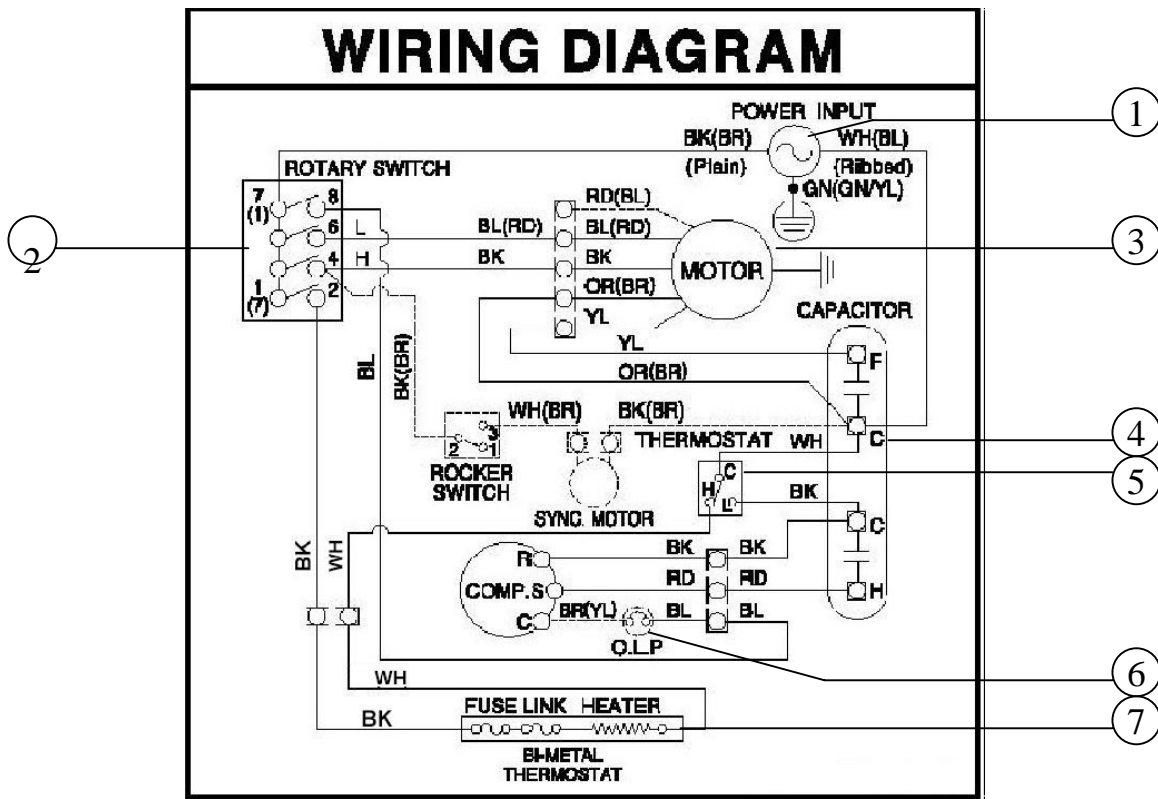
NAME PLATE RATING	MINIMUM	MAXIMUM
115V	103.5V	126.5V
208/230V	187V	253V

COMPLAINT	CAUSE	REMEDY
Compressor cycles on overload.	Voltage	Check the voltage. See the limits on the preceding page. If not within limits, call an electrician.
	Overload	Check overload, if externally mounted. Replace if open. (If the compressor temperature is high, remove the overload, cool, and retest.)
	Fan motor	If not running, determine the cause. Replace if required.
	Condenser air flow restriction	Remove the cabinet. Inspect the interior surface of the condenser; if restricted, clean carefully (do not damage fins) or brush. Clean the interior base before reassembling.
	Condenser fins (damaged)	If condenser fins are closed over a large area on the coil surface, head pressures will increase, causing the compressor to cycle. Straighten the fins or replace the coil.
	Capacitor	Test capacitor.
	Wiring	Check the terminals. If loose, repair or replace.
Insufficient cooling or heating	Refrigerating system	Check the system for a restriction.
	Air filter	If restricted, clean or replace.
	Exhaust damper door	Close if open.
Excessive noise.	Unit undersized	Determine if the unit is properly sized for the area to be cooled.
	Blower or fan	Check the set screw or clamp. If loose or missing, correct. If the blower or fan is hitting air guide, rearrange the air handling parts.
	Copper tubing	Remove the cabinet and carefully rearrange tubing not to contact cabinet, compressor, shroud, and barrier.

4. SCHEMATIC DIAGRAM

4.1 CIRCUIT DIAGRAM

• MODEL : UE08A13B/UE10A33B/UE12A33B

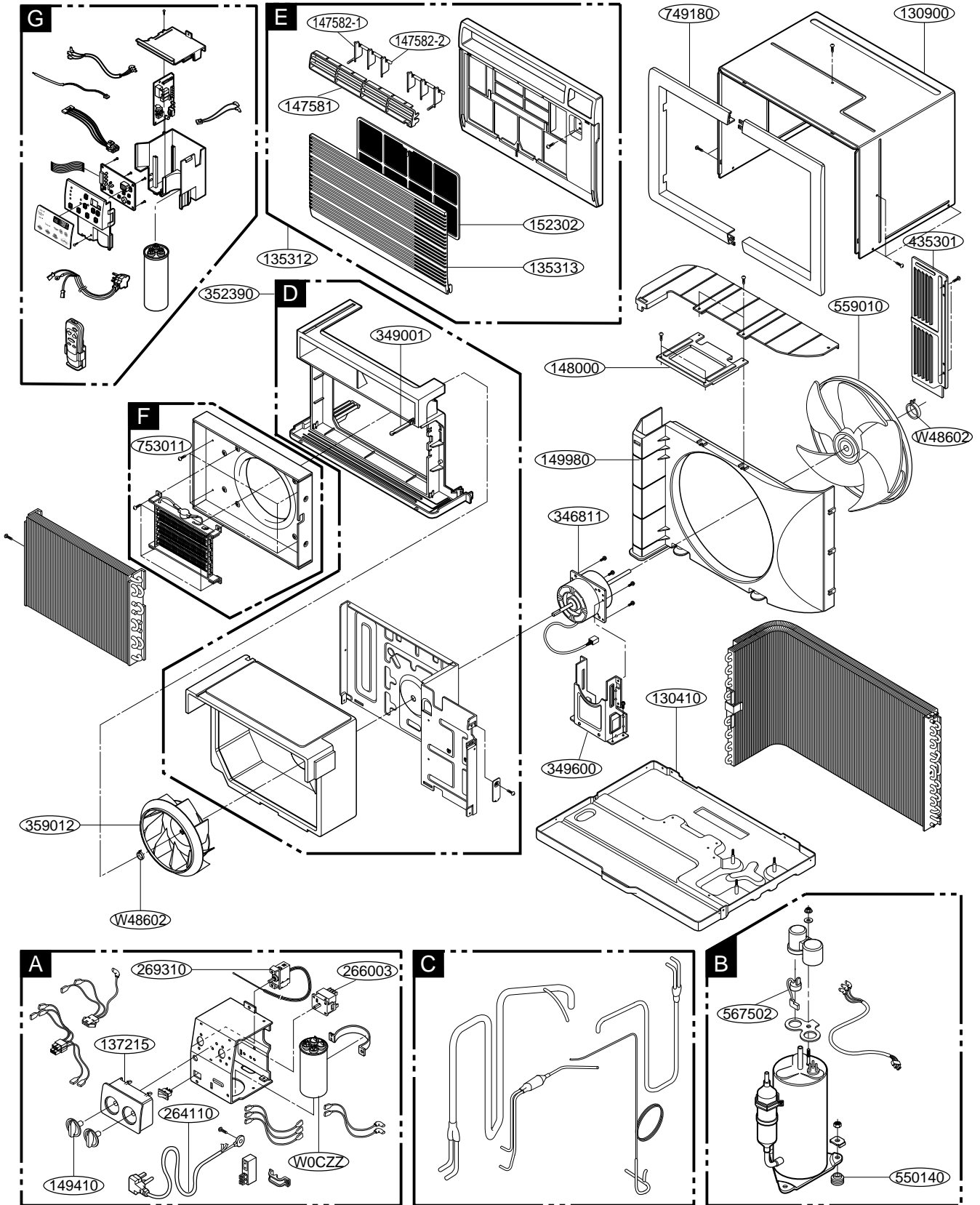


EBY36720301

NO.	DESCRIPTION	PART NO.			Q'TY PER SET	RE-MARKS
		UE08A13B	UE10A33B	UE12A33B		
1	POWER CORD	6411A20056L	6411A20056Q		1	
2	ROTARY SWITCH	2H00598F			1	
3	FAN MOTOR	4681A20044H	4681A20041C	4681A20041M	1	
4	CAPACITOR	0CZZA20012A	6120AR2359E		1	
5	THERMOSTAT	2H01127D			1	
7	OVERLOAD PROTECTOR	6750A30001N	6750U-L028A	6750U-L058A	1	
8	ELECTRIC HEATER	5300A20003B	5300A20003A		1	

5. EXPLODED VIEW

• MODEL: UE08A13B/UE10A33B/UE12A33B



6. REPLACEMENT PARTS LIST

R: Service Parts
N: Non Service parts

UE08A13B(TXX081APAA0.AWYBFRD)			
LocNo	FRD P/NO	DESCRIPTION	REMARK
W0CZZ	67300725	CAPACITOR, DRAWING	R
266003	67300502	SWITCH, ROTARY	R
269310	67300404	THERMOSTAT ASSEMBLY	R
130410	67302923	BASE ASSEMBLY, SINGLE	R
130900	67303705	CABINET	R
135313	67306104	GRILLE, INLET	R
135312	67306006	GRILLE ASSEMBLY, FRONT(SINGLE)	R
137215	67305504	PANEL ASSEMBLY, CONTROL	R
W48602	67302500	CLAMP, SPRING	R
346811	67303019	MOTOR ASSEMBLY, SINGLE	R
147581	67306203	LOUVER, HORIZONTAL	R
147582-1	67306252	LOUVER, VERTICAL	R
147582-2	67306253	LOUVER, VERTICAL	R
148000	67301801	BRACE	R
749180	67303504	FRAME	R
149410	67304102	KNOB ASSEMBLY	R
349600	67303607	MOUNT, MOTOR	R
550140	67305001	ISOLATOR, COMP	R
149980	67303111	SHROUD	R
152302	67304304	FILTER(MECH), A/C	R
352390	67302735	AIR GUIDE ASSEMBLY	R
753011	67310101	HEATER, ELECTRIC	R
359012	67302608	FAN, TURBO	R
559010	67303202	FAN ASSEMBLY, AXIAL	R
264110	67300025	POWER CORD ASSEMBLY	R
567502	67301411	O.L.P	R
435301	67304801	GRILLE, REAR	R

UE10A33B(TXX103APAA0.AWYBFRD)			
LocNo	FRD P/NO	DESCRIPTION	REMARK
266003	67300502	SWITCH, ROTARY	R
269310	67300404	THERMOSTAT ASSEMBLY	R
130410	67302919	BASE ASSEMBLY, SINGLE	R
130900	67303705	CABINET	R
135313	67306104	GRILLE, INLET	R
135312	67306005	GRILLE ASSEMBLY, FRONT(SINGLE)	R
137215	67305504	PANEL ASSEMBLY, CONTROL	R
W48602	67302500	CLAMP, SPRING	R
346811	67303008	MOTOR ASSEMBLY, SINGLE	R
147581	67306203	LOUVER, HORIZONTAL	R
147582-1	67306252	LOUVER, VERTICAL	R
147582-2	67306253	LOUVER, VERTICAL	R
148000	67301801	BRACE	R
749180	67303504	FRAME	R
149410	67304102	KNOB ASSEMBLY	R
349600	67303607	MOUNT, MOTOR	R
149980	67303111	SHROUD	R
550140	67305000	ISOLATOR, COMP	R
152302	67304304	FILTER(MECH), A/C	R
352390	67302735	AIR GUIDE ASSEMBLY	R
753011	67310100	HEATER, ELECTRIC	R
359012	67302608	FAN, TURBO	R
559010	67303202	FAN ASSEMBLY, AXIAL	R
W0CZZ	67300711	CAPACITOR, DRAWING	R
264110	67300029	POWER CORD ASSEMBLY	R
567502	67301413	O.L.P	R
435301	67304801	GRILLE, REAR	R

UE12A33B(TXX123APAA0.AWYBFRD)			
LocNo	FRD P/NO	DESCRIPTION	REMARK
130410	67302921	BASE ASSEMBLY, SINGLE	R
130900	67303705	CABINET	R
135312	67306005	GRILLE ASSEMBLY, FRONT(SINGLE)	R
135313	67306104	GRILLE, INLET	R
137215	67305504	PANEL ASSEMBLY, CONTROL	R
147581	67306203	LOUVER, HORIZONTAL	R
147582-1	67306252	LOUVER, VERTICAL	R
147582-2	67306253	LOUVER, VERTICAL	R
148000	67301801	BRACE	R
149410	67304102	KNOB ASSEMBLY	R
149980	67303111	SHROUD	R
152302	67304304	FILTER(MECH), A/C	R
264110	67300029	POWER CORD ASSEMBLY	R
266003	67300502	SWITCH, ROTARY	R
269310	67300404	THERMOSTAT ASSEMBLY	R
346811	67303020	MOTOR ASSEMBLY, SINGLE	R
349600	67303606	MOUNT, MOTOR	R
352390	67302735	AIR GUIDE ASSEMBLY	R
359012	67302608	FAN, TURBO	R
435301	67304801	GRILLE, REAR	R
550140	67305000	ISOLATOR, COMP	R
559010	67303202	FAN ASSEMBLY, AXIAL	R
567502	67300056	O.L.P	R
749180	67303504	FRAME	R
753011	67310100	HEATER, ELECTRIC	R
W0CZZ	67300711	CAPACITOR, DRAWING	R
W48602	67302500	CLAMP, SPRING	R

Friedrich[®]

FRIEDRICH AIR CONDITIONING CO.

Visit our web site at www.friedrich.com

Post Office Box 1540 • 4200 N. Pan Am Expressway • San Antonio, Texas 78295-1540
• (210) 357-4400 • FAX (210) 357-4480

P/NO.:3828A20040L

Printed in China

UE08/UE10/UE12 (06/07)