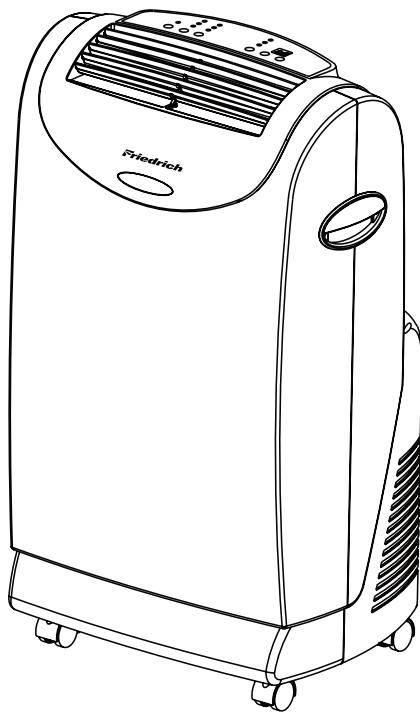




Parts Manual 2008

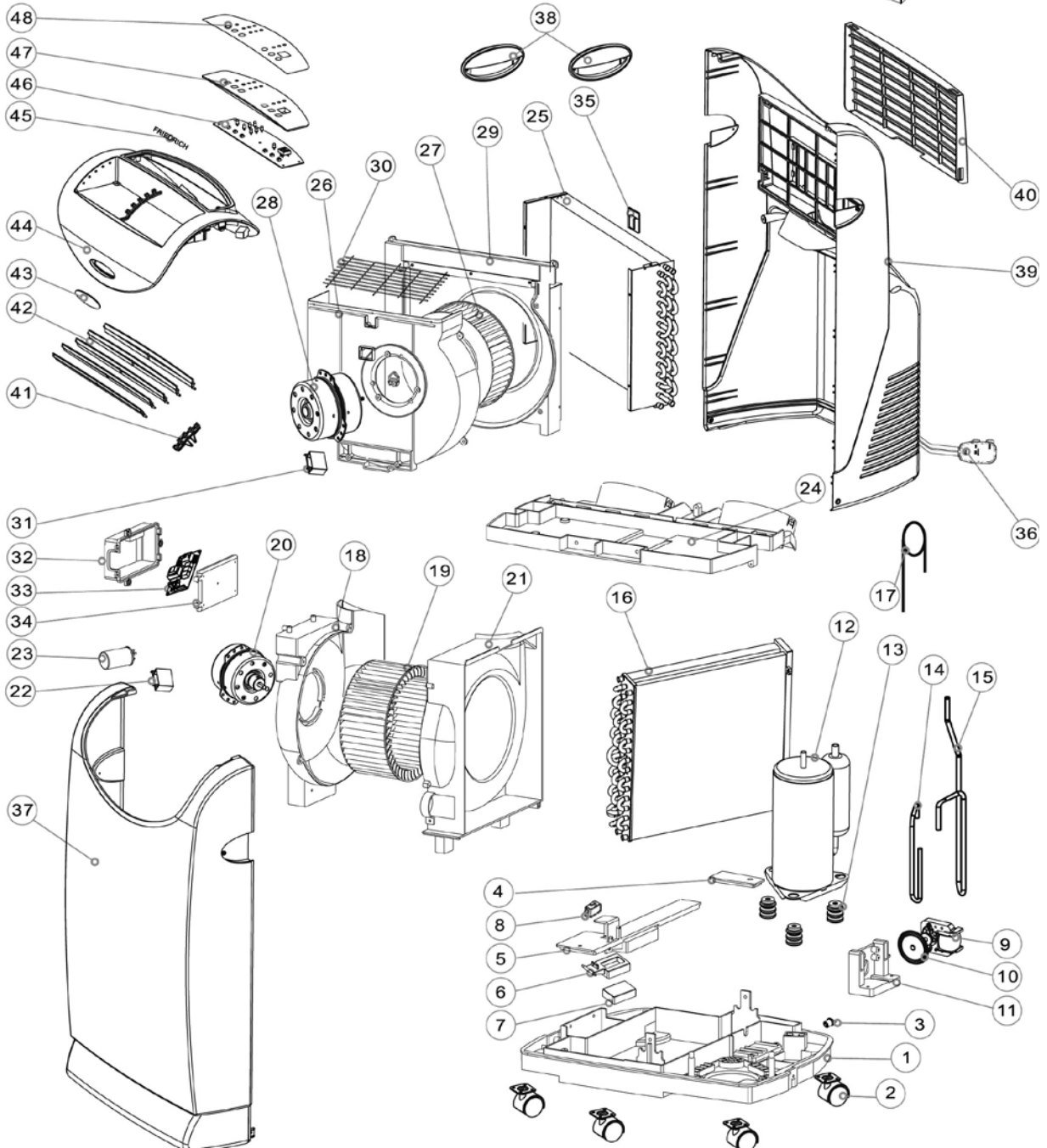
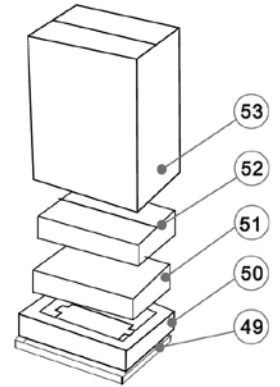


ZoneAire[®]

Portable Air Conditioner
Models P09A and P12A

P09A Components

Accessories (included)

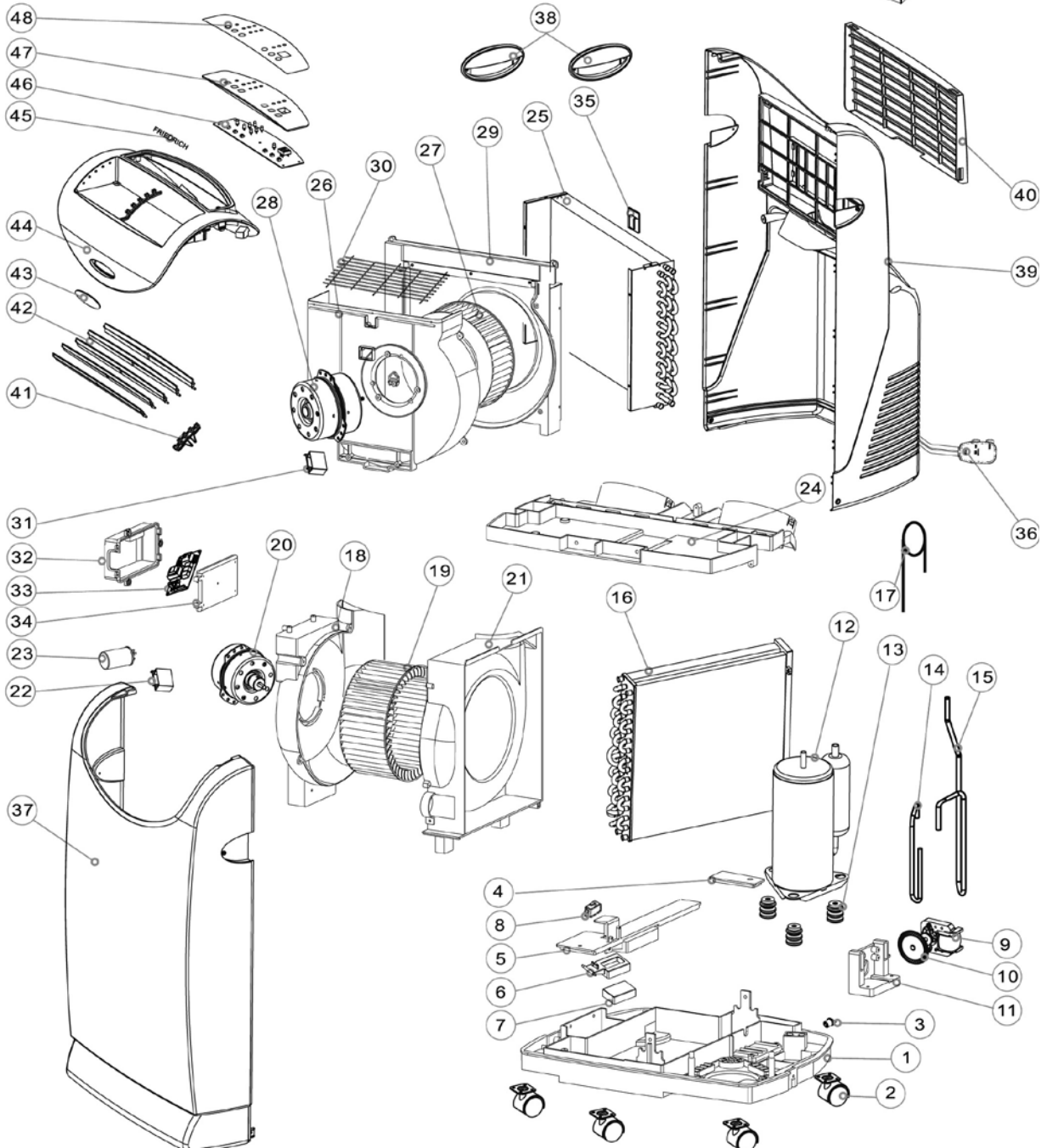
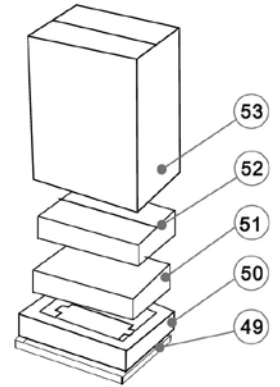
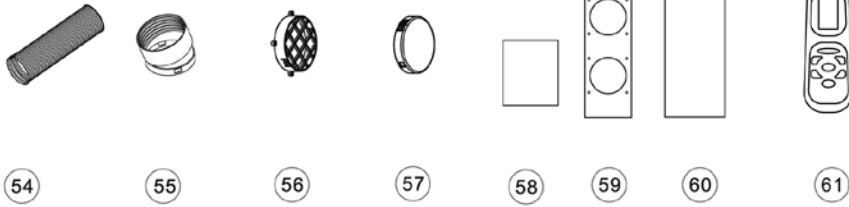


P09A Parts List

Ref. #	PARTS NAME	QUANTITY	P09A
1	BASE PAN	1	679-040-00
2	TURNING WHEEL (CASTER)	4	679-040-01
3	DRAIN PLUG	1	679-040-02
4	DRAIN COVER-B	1	679-040-03
5	DRAIN COVER-A	1	679-040-04
6	FLOAT	1	679-040-05
7	FLOAT	1	679-040-06
8	MICRO SWITCH	1	679-040-07
9	SLINGER FAN MOTOR (WT-15T1-04)	1	679-040-08
10	SLINGER BLADE	1	679-040-09
11	SLINGER FIXTURE	1	679-040-10
13	RUBBER GROMMET	3	679-040-12
18	CONDENSER FAN CASING	1	679-040-17
19	CONDENSER BLOWER WHEEL	1	679-040-18
20	CONDENSER FAN MOTOR (LS-53T1-4P)	1	679-040-19
21	CONDENSER FAN CASING	1	679-040-20
22	CAPACITOR (9uF/250V FOR COND. MOTOR(20))	1	679-040-21
23	CAPACITOR (60uF/250V FOR COMPRESSOR(12))	1	679-040-22
24	PLATE	1	679-040-23
26	EVAPORATOR FAN CASING	1	679-040-25
27	EVAPORATOR BLOWER WHEEL	1	679-040-26
28	EVAPORATOR FAN MOTOR (LS-23T3-6P)	1	679-040-27
29	EVAPORATOR FAN CASING	1	679-040-28
30	SCREEN / GRATE	1	679-040-29
31	CAPACITOR (8uF/250V FOR EVAP. MOTOR(28))	1	679-040-30
32	CONTROL BOX COVER	1	679-040-31
33	CONTROL BOARD	1	679-040-32
34	CONTROL BOX FIX TURE	1	679-040-33
35	RETURN AIR THERMISTOR FIX TURE	1	679-040-34
36	POWER SUPPLY CORD COMPLETE	1	679-040-64
37	FRONT PANEL	1	679-040-36
38	HANDLE	2	679-040-37
39	REAR PANEL	1	679-040-38
40	AIR FILTER	1	679-040-39
41	DIRECTIONAL LOUVER CONNECTOR BAR	1	679-040-40
42	DIRECTIONAL LOUVER	5	679-040-41
43	INFRARED SENSOR COVER	1	679-040-42
44	DISCHARGE GRILLE	1	679-040-43
45	DECORATING PLATE (LOGO)	1	679-040-44
46	PC BOARD	1	679-040-45
47	CONTROL PLATE	1	679-040-46
48	ESCUTCHEON	1	679-040-47
54	HEAT EXHAUST HOSE	2	679-040-53
55	HEAT EXHAUST HOSE CONNECTOR	4	679-040-54
56	HEAT EXHAUST FIXTURE	2	679-040-55
57	HEAT EXHAUST COVER	2	679-040-56
59	WINDOW PANEL KIT	1	679-040-58
60	WINDOW PANEL EXTENSION	1	679-040-59
61	REMOTE CONTROL	1	679-040-60

P12A Components

Accessories (included)



P12A Parts List

Ref. #	PARTS NAME	QUANTITY	P12A
1	BASE PAN	1	679-040-00
2	TURNING WHEEL (CASTER)	4	679-040-01
3	DRAIN PLUG	1	679-040-02
4	DRAIN COVER-B	1	679-040-03
5	DRAIN COVER-A	1	679-040-04
6	FLOAT	1	679-040-05
7	FLOAT	1	679-040-06
8	MICRO SWITCH	1	679-040-07
9	SLINGER FAN MOTOR (WT-15T1-04)	1	679-040-08
10	SLINGER BLADE	1	679-040-09
11	SLINGER FIXTURE	1	679-040-10
13	RUBBER GROMMET	3	679-040-12
18	CONDENSER FAN CASING	1	679-040-17
19	CONDENSER BLOWER WHEEL	1	679-040-18
20	CONDENSER FAN MOTOR (LS-53T1-4P)	1	679-040-19
21	CONDENSER FAN CASING	1	679-040-20
22	CAPACITOR (9uF/250V FOR COND. MOTOR(20))	1	679-040-21
23	CAPACITOR (60uF/250V FOR COMPRESSOR(12))	1	679-040-22
24	PLATE	1	679-040-23
26	EVAPORATOR FAN CASING	1	679-040-25
27	EVAPORATOR BLOWER WHEEL	1	679-040-26
28	EVAPORATOR FAN MOTOR (LS-23T3-6P)	1	679-040-27
29	EVAPORATOR FAN CASING	1	679-040-28
30	SCREEN / GRATE	1	679-040-29
31	CAPACITOR (8uF/250V FOR EVAP. MOTOR(28))	1	679-040-30
32	CONTROL BOX COVER	1	679-040-31
33	CONTROL BOARD	1	679-040-32
34	CONTROL BOX FIX TURE	1	679-040-33
35	RETURN AIR THERMISTOR FIX TURE	1	679-040-34
36	POWER SUPPLY CORD COMPLETE	1	679-040-35
37	FRONT PANEL	1	679-040-36
38	HANDLE	2	679-040-37
39	REAR PANEL	1	679-040-38
40	AIR FILTER	1	679-040-39
41	DIRECTIONAL LOUVER CONNECTOR BAR	1	679-040-40
42	DIRECTIONAL LOUVER	5	679-040-41
43	INFRARED SENSOR COVER	1	679-040-42
44	DISCHARGE GRILLE	1	679-040-43
45	DECORATING PLATE (LOGO)	1	679-040-44
46	PC BOARD	1	679-040-45
47	CONTROL PLATE	1	679-040-46
48	ESCUTCHEON	1	679-040-47
54	HEAT EXHAUST HOSE	2	679-040-53
55	HEAT EXHAUST HOSE CONNECTOR	4	679-040-54
56	HEAT EXHAUST FIXTURE	2	679-040-55
57	HEAT EXHAUST COVER	2	679-040-56
59	WINDOW PANEL KIT	1	679-040-58
60	WINDOW PANEL EXTENSION	1	679-040-59
61	REMOTE CONTROL	1	679-040-60

Friedrich[®]

Friedrich Air Conditioning Co.

Post Office Box 1540 • San Antonio, Texas 78295-1540

4200 N. Pan Am Expressway • San Antonio, Texas 78218-5212

(210) 357-4400 • FAX (210) 357-4480

www.friedrich.com