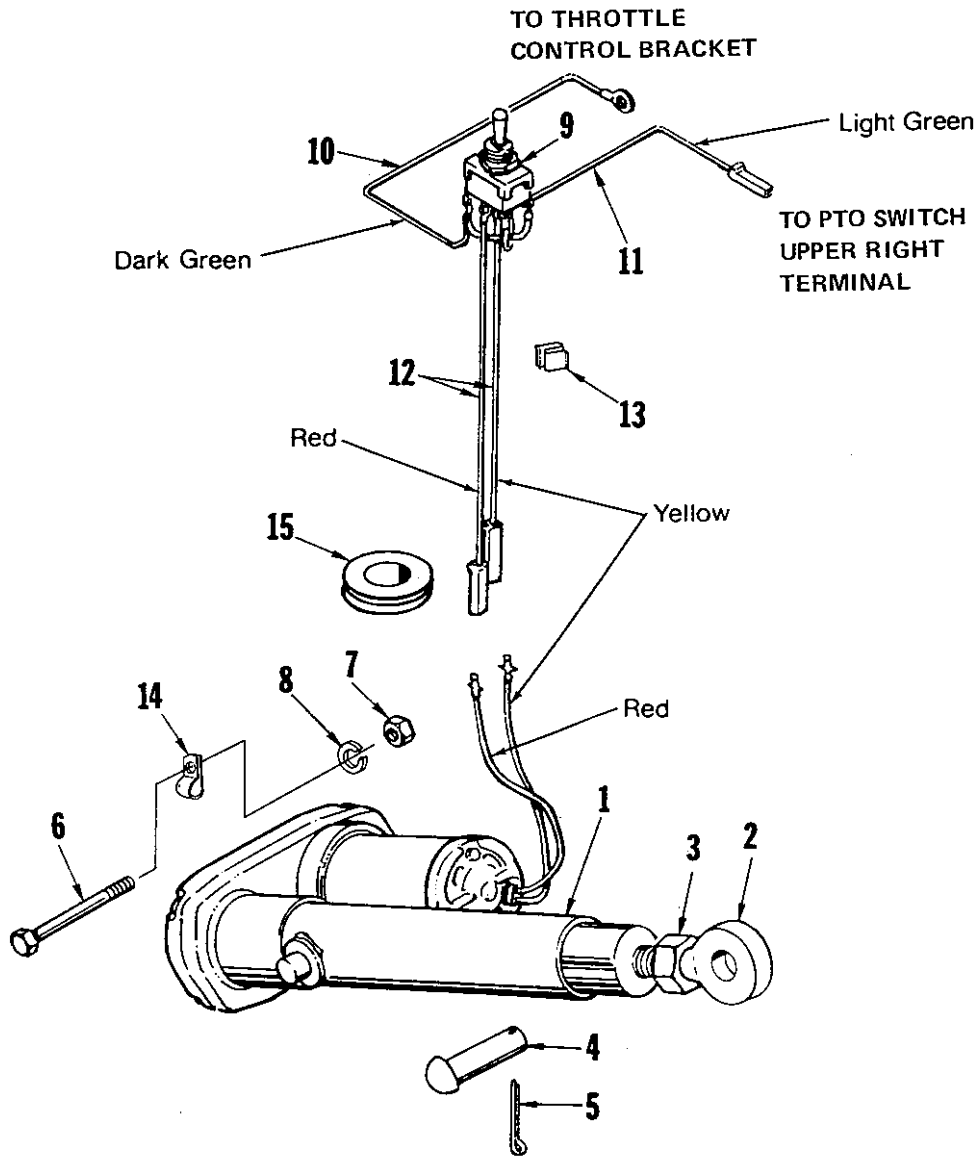


ELECTRIC LIFT KIT

**ELECTRIC LIFT KIT
MFG. NO. 1600178**

OPERATOR'S MANUAL



Ref. No.	Qty.	Description
1	1	ACTUATOR, Electric, (inc. motor and gear box)
2	1	EYEBOLT
3	1	NUT, hex, jam, 1/2-20
4	1	PIN, Headed, drilled
5	1	PIN, Cotter, 1/8 x 3/4
6	1	CAPSCREW, Hex, 5/16-18 x 3-1/2
7	1	NUT, Hex, 5/16-18
8	1	LOCKWASHER, 5/16
9	1	SWITCH, Lift
10	1	WIRE, Switch connector
11	1	WIRE, Actuator switch to PTO switch
12	1	HARNESS, Switch to actuator
13	1	CLIP, Speed
14	1	CLIP, Closed
15	1	GROMMET, Rubber

Figure 2

CAUTION

Do not attempt installation of lift kit until engine has cooled thoroughly. A hot engine may ignite spilled gasoline during drainage and removal of fuel tank.

1. Open hood of tractor and disconnect battery, removing ground (negative) cable first.
2. Remove three self-tapping screws that hold each battery side panel to battery support assembly, Remove both panels.
3. Loosen battery clamps and slide battery forward on battery support.
4. Unhook upper rubber straps securing fuel tank.
5. Disconnect fuel hose at filter and drain fuel into a safety type fuel container.
6. Remove fuel tank by lifting upward, being sure fuel hose clears fuel tank support. Note location where fuel hose and filter were connected.
7. Remove two screws attaching fuel tank support to frame and two screws attaching fuel tank support to instrument panel.
8. Locate scored portion of dash behind decal just above choke knob. Using a razor blade, neatly cut out area of decal.
9. Using a flat punch and hammer, knock out scored portion.
10. Install lift switch (9, Figure 2) from behind instrument panel and secure it with one hex nut behind panel and one special nut in front of panel.
11. Remove lower nut on throttle control bracket and secure dark green (ground) wire (10, Figure 2) from lift switch to bracket.
12. Connect light green wire (11, Figure 2) to PTO switch upper terminal.
13. Install rubber grommet in frame behind instrument panel and route two long (red and yellow) wires through it.

14. Screw eyebolt (2, Figure 2) with locknut (3) into actuator (1) and install actuator in support assembly (Figure 1) under center of frame.

15. Secure wire clip (Figure 1) to support assembly with a nut, lockwasher, and 3-1/2 inch bolt.

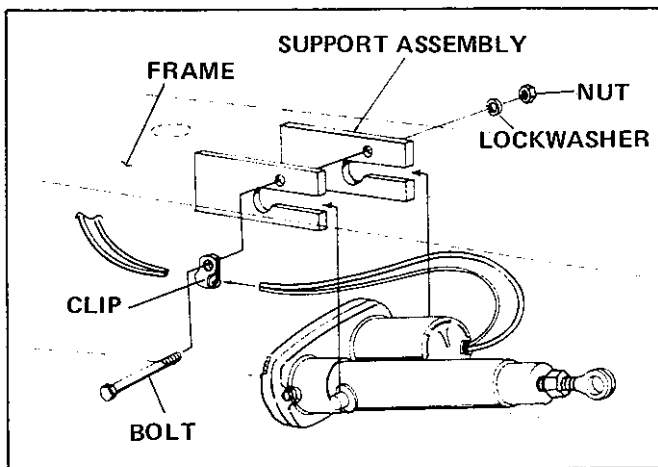


Figure 1.

16. Connect two actuator wires (red and yellow) to matching colored wires of lift switch (12, Figure 2).

NOTE

Some power lift assemblies will be equipped with black and red wires if this is the case connect the Red wire to the Yellow wire on the harness, and the Black to the Red on the harness - Tape both ends.

17. Connect actuator eyebolt to lift rod clevis with a headed pin and cotter pin. Adjust lifting height by loosening locknut and turning eyebolt in or out.

18. Remove lift lever from tractor.

19. To check operation of lift assembly, connect battery cable (ground cable last) and turn ignition switch to ON position, being sure not to engage tractor.

20. If lift assembly does not operate, check switch and ground connections. If lift still is inoperative, see your dealer. DO NOT DISASSEMBLE ACTUATOR.

**OPERATOR'S MANUAL
REAR LIFT KIT
MFG. NO. 1600352**

1. Unlatch and raise the seat deck. Remove the frame cover by unscrewing the four bolts which secure it to the frame. NOTE: It is necessary to remove the shift knob first on 10 h.p. tractors.
2. Remove positive battery lead on all tractors.
3. 10 h.p. tractors only: disconnect and remove shift rod from tractor.
4. Remove the black, battery side shield on the left side of the tractor.
5. Place the Lift Rod through the hole in the pivot on the Arm Assembly and press the roll pin supplied into the end of the rod. NOTE: Be sure pin is extended equal distance after inserted in rod. Secure the Link Assembly to the middle hole in the Arm Assembly using the long, flat head clevis pin and a pin. (See Figure 1.)
6. Measure the distance from the center of the roll pin to the center of the hole in the clevis at the end of the rod. The distance should be approximately 30-3/4". Loosen the hex nut and rotate the clevis if necessary to obtain this dimension.
7. Install the Lift Rod Assembly through the frame (under instrument panel where cover was removed) and secure the Link Assembly to the Lift Shaft with a flat head clevis pin and a quick pin. (Figure 1.)
8. Attach the Arm Assembly to the brackets welded on the frame using the long pin. (Figure 1.) Push the pin through the hole from on the right side of tractor, then install quick pin.
9. Install rear lift assembly in the holes in the rear brackets with the collars provided in the kit. Install setscrews in the collars and tighten setscrews.
10. Attach the clevis on the end of the Lift Rod to the Lift Assembly using a short, flat head clevis pin and a cotter pin (Figure 2.)
11. Install the Shift Rod (10 h.p. tractor only) and replace the frame cover and shield.

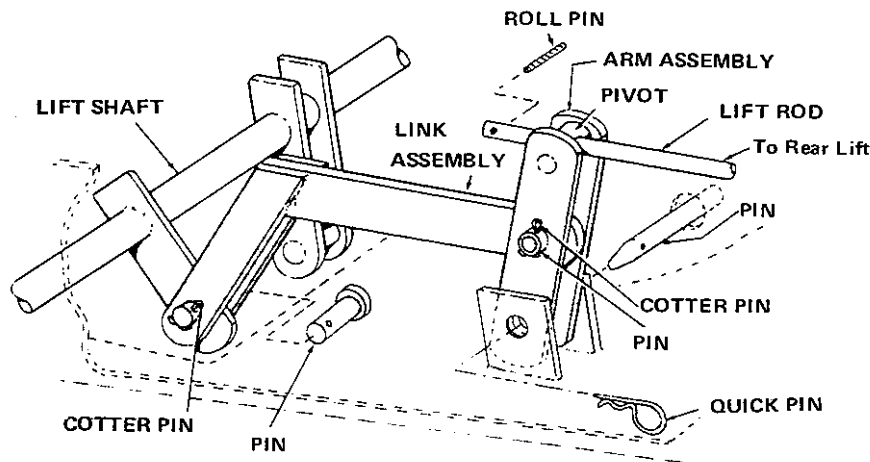


FIGURE 1

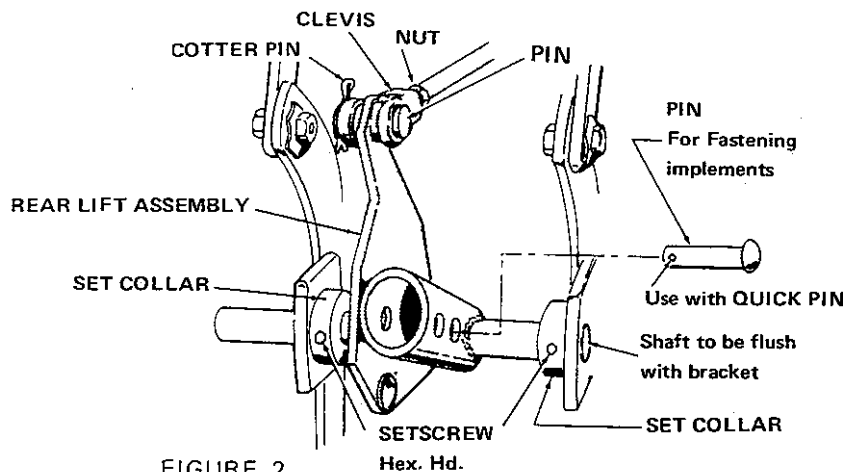


FIGURE 2