

**Pioneer** *sound.vision.soul*

**Digital Wireless  
Rear Speaker System**

**Ensemble d'enceintes arrière sans  
fil pour transmission numérique**

**XW-HTD630A**

Operating Instructions  
Mode d'emploi

# IMPORTANT



The lightning flash with arrowhead symbol, within an equilateral triangle, is intended to alert the user to the presence of uninsulated "dangerous voltage" within the product's enclosure that may be of sufficient magnitude to constitute a risk of electric shock to persons.



**CAUTION:**  
TO PREVENT THE RISK OF ELECTRIC SHOCK, DO NOT REMOVE COVER (OR BACK). NO USER-SERVICEABLE PARTS INSIDE. REFER SERVICING TO QUALIFIED SERVICE PERSONNEL.



The exclamation point within an equilateral triangle is intended to alert the user to the presence of important operating and maintenance (servicing) instructions in the literature accompanying the appliance.

H002\_En

## IMPORTANT SAFETY INSTRUCTIONS

**READ INSTRUCTIONS** — All the safety and operating instructions should be read before the product is operated.

**RETAIN INSTRUCTIONS** — The safety and operating instructions should be retained for future reference.

**HEED WARNINGS** — All warnings on the product and in the operating instructions should be adhered to.

**FOLLOW INSTRUCTIONS** — All operating and use instructions should be followed.

**CLEANING** — Unplug this product from the wall outlet before cleaning. The product should be cleaned only with a polishing cloth or a soft dry cloth. Never clean with furniture wax, benzene, insecticides or other volatile liquids since they may corrode the cabinet.

**ATTACHMENTS** — Do not use attachments not recommended by the product manufacturer as they may cause hazards.

**WATER AND MOISTURE** — Do not use this product near water — for example, near a bathtub, wash bowl, kitchen sink, or laundry tub; in a wet basement; or near a swimming pool; and the like.

**ACCESSORIES** — Do not place this product on an unstable cart, stand, tripod, bracket, or table. The product may fall, causing serious injury to a child or adult, and serious damage to the product. Use only with a cart, stand, tripod, bracket, or table recommended by the manufacturer, or sold with the product. Any mounting of the product should follow the manufacturer's instructions, and should use a mounting accessory recommended by the manufacturer.

**CART** — A product and cart combination should be moved with care. Quick stops, excessive force, and uneven surfaces may cause the product and cart combination to overturn.



**VENTILATION** — Slots and openings in the cabinet are provided for ventilation and to ensure reliable operation of the product and to protect it from overheating, and these openings must not be blocked or covered. The openings should never be blocked by placing the product on a bed, sofa, rug, or other similar surface. This product should not be placed in a built-in installation such as a bookcase or rack unless proper ventilation is provided or the manufacturer's instructions have been adhered to.

**POWER SOURCES** — This product should be operated only from the type of power source indicated on the marking label. If you are not sure of the type of power supply to your home, consult your product dealer or local power company.

**LOCATION** — The appliance should be installed in a stable location.

**NONUSE PERIODS** — The power cord of the appliance should be unplugged from the outlet when left unused for a long period of time.

### GROUNDING OR POLARIZATION

- If this product is equipped with a polarized alternating current line plug (a plug having one blade wider than the other), it will fit into the outlet only one way. This is a safety feature. If you are unable to insert the plug fully into the outlet, try reversing the plug. If the plug should still fail to fit, contact your electrician to replace your obsolete outlet. Do not defeat the safety purpose of the polarized plug.
- If this product is equipped with a three-wire grounding type plug, a plug having a third (grounding) pin, it will only fit into a grounding type power outlet. This is a safety feature. If you are unable to insert the plug into the outlet, contact your electrician to replace your obsolete outlet. Do not defeat the safety purpose of the grounding type plug.

**POWER-CORD PROTECTION** — Power-supply cords should be routed so that they are not likely to be walked on or pinched by items placed upon or against them, paying particular attention to cords at plugs, convenience receptacles, and the point where they exit from the product.

**LIGHTNING** — For added protection for this product during a lightning storm, or when it is left unattended and unused for long periods of time, unplug it from the wall outlet and disconnect the antenna or cable system. This will prevent damage to the product due to lightning and power-line surges.

**POWER LINES** — An outside antenna system should not be located in the vicinity of overhead power lines or other electric light or power circuits, or where it can fall into such power lines or circuits. When installing an outside antenna system, extreme care should be taken to keep from touching such power lines or circuits as contact with them might be fatal.

**OVERLOADING** — Do not overload wall outlets, extension cords, or integral convenience receptacles as this can result in a risk of fire or electric shock.

**OBJECT AND LIQUID ENTRY** — Never push objects of any kind into this product through openings as they may touch dangerous voltage points or short-out parts that could result in a fire or electric shock. Never spill liquid of any kind on the product.

**SERVICING** — Do not attempt to service this product yourself as opening or removing covers may expose you to dangerous voltage or other hazards. Refer all servicing to qualified service personnel.

**DAMAGE REQUIRING SERVICE** — Unplug this product from the wall outlet and refer servicing

to qualified service personnel under the following conditions:

- When the power-supply cord or plug is damaged.
- If liquid has been spilled, or objects have fallen into the product.
- If the product has been exposed to rain or water.
- If the product does not operate normally by following the operating instructions. Adjust only those controls that are covered by the operating instructions as an improper adjustment of other controls may result in damage and will often require extensive work by a qualified technician to restore the product to its normal operation.
- If the product has been dropped or damaged in any way.
- When the product exhibits a distinct change in performance — this indicates a need for service.

**REPLACEMENT PARTS** — When replacement parts are required, be sure the service technician has used replacement parts specified by the manufacturer or have the same characteristics as the original part. Unauthorized substitutions may result in fire, electric shock, or other hazards.

**SAFETY CHECK** — Upon completion of any service or repairs to this product, ask the service technician to perform safety checks to determine that the product is in proper operating condition.

**WALL OR CEILING MOUNTING** — The product should not be mounted to a wall or ceiling.

**HEAT** — The product should be situated away from heat sources such as radiators, heat registers, stoves, or other products (including amplifiers) that produce heat.

**WARNING:** THIS APPARATUS IS NOT WATERPROOF. TO PREVENT FIRE OR SHOCK HAZARD, DO NOT EXPOSE THIS APPARATUS TO RAIN OR MOISTURE AND DO NOT PUT ANY WATER SOURCE NEAR THIS APPARATUS, SUCH AS VASES, FLOWER POTS, COSMETICS CONTAINERS, MEDICINE BOTTLES, ETC.

**CAUTION:** The POWER switch does not completely separate the unit from the MAINS in off position, therefore install the unit suitable places easy to disconnect the MAINS plug in case of the accident. The MAINS plug of unit should be unplugged from the wall socket when left unused for a long period of time.

H046 En

**[For U.S. model]  
IMPORTANT NOTICE**

The serial number for this equipment is located on the rear case. Please write this serial number on your enclosed warranty card and keep it in a secure area. This is for your security. H006A\_En

**WARNING:**

Handling the cord on this product or cords associated with accessories sold with the product will expose you to lead, a chemical known to the State of California and other governmental entities to cause cancer and birth defects or other reproductive harm. ***Wash hands after handling***

**NOTE:** This equipment has been tested and found to comply with the limits for a Class B digital device, pursuant to Part 15 of the FCC Rules. These limits are designed to provide reasonable protection against harmful interference in a residential installation. This equipment generates, uses, and can radiate radio frequency energy and, if not installed and used in accordance with the instructions, may cause harmful interference to radio communications. However, there is no guarantee that interference will not occur in a particular installation. If this equipment does cause harmful interference to radio or television reception, which can be determined by turning the equipment off and on, the user is encouraged to try to correct the interference by one or more of the following measures:

- Reorient or relocate the receiving antenna.
- Increase the separation between the equipment and receiver.
- Connect the equipment into an outlet on a circuit different from that to which the receiver is connected.
- Consult the dealer or an experienced radio/TV technician for help.

H010\_En

#### Information to User

Alteration or modifications carried out without appropriate authorization may invalidate the user's right to operate the equipment.

H011\_En

#### CAUTION:

This product satisfies FCC regulations when shielded cables and connectors are used to connect the unit to other equipment. To prevent electromagnetic interference with electric appliances such as radios and televisions, use shielded cables and connectors for connections.

H012\_En

**WARNING:** BEFORE PLUGGING IN THE UNIT FOR THE FIRST TIME, READ THE FOLLOWING SECTION CAREFULLY. THE VOLTAGE OF THE AVAILABLE POWER SUPPLY DIFFERS ACCORDING TO COUNTRY OR REGION. BE SURE THAT THE POWER SUPPLY VOLTAGE OF THE AREA WHERE THIS UNIT WILL BE USED MEETS THE REQUIRED VOLTAGE (E.G., 230V OR 120V) WRITTEN ON THE REAR PANEL.

H041A\_En

#### [For Canadian model]

**CAUTION:** TO PREVENT ELECTRIC SHOCK, DO NOT USE THIS (POLARIZED) PLUG WITH AN EXTENSION CORD, RECEPTACLE OR OTHER OUTLET UNLESS THE BLADES CAN BE FULLY INSERTED TO PREVENT BLADE EXPOSURE.

**ATTENTION:** POUR PREVENIR LES CHOCS ELECTRIQUES NE PAS UTILISER CETTE FICHE POLARISEE AVEC UN PROLONGATEUR UNE PRISE DE COURANT OU UNE AUTRE SORTIE DE COURANT, SAUF SI LES LAMES PEUVENT ETRE INSEREES A FOND SANS EN LAISSER AUCUNE PARTIE A DECOUVERT.

H007A\_2L

#### [For Canadian model]

This Class B digital apparatus complies with Canadian ICES-003.

#### [Pour le modèle Canadien]

Cet appareil numérique de la classe B est conforme à la norme NMB-003 du Canada.

H009\_2L

## Operating Environment H045\_En

Operating environment temperature and humidity:

+5°C – +35°C (+41°F – +95°F); less than 85%RH (cooling vents not blocked)

Do not install in the following locations

- Location exposed to direct sunlight or strong artificial light
- Location exposed to high humidity, or poorly ventilated location

**WARNING:** NO NAKED FLAME SOURCES, SUCH AS LIGHTED CANDLE, SHOULD BE PLACED ON THE APPARATUS. IF NAKED FLAME SOURCES ACCIDENTALLY FALL DOWN, FIRE SPREAD OVER THE APPARATUS THEN MAY CAUSE FIRE.

H044\_En

## VENTILATION:

When installing this unit, make sure to leave space around the unit for ventilation to improve heat radiation (at least 10 cm at top, 10 cm at rear, and 10 cm at each side).

**WARNING:** Slot and openings in the cabinet are provided for ventilation and to ensure reliable operation of the product and to protect it from overheating, to prevent fire hazard, the openings should never be blocked and covered with items, such as newspapers, table-cloths, curtains, etc. Also do not put the apparatus on the thick carpet, bed, sofa, or fabric having a thick pile.

H040\_En

**[For U.S. model]**

Changes or modifications not expressly approved by the manufacturer (party responsible) for Compliance could not void the user's authority to operate the equipment.

**[For Canadian model]**

Operation is subject to the following two conditions: (1) this device may not cause interference, and (2) this device must accept any interference, including interference that may cause undesired operation of the device.

**[Pour le modèle Canadien]**

L'utilisation de l'appareil est soumise aux deux conditions suivantes: (1) il ne provoque pas de brouillage, et (2) il peut supporter tous les brouillages, y compris ceux qui sont en mesure de provoquer une anomalie de fonctionnement de l'appareil.

**[For Canadian model]**

To prevent radio interference to the licensed service, this device is intended to be operated indoors and away from windows to provide maximum shielding. Equipment (or its transmit antenna) that is installed outdoors is subject to licensing.

**[Pour le modèle Canadien]**

Pour éviter le brouillage radioélectrique des émetteurs ayant une licence, cet appareil doit être utilisé à l'intérieur des habitations et loin des fenêtres de manière à assurer la protection maximale. Un équipement (ou son antenne d'émission) lorsqu'il est installé à l'extérieur ne peut être utilisé qu'après obtention d'une licence.

**Power cord caution**

Handle the power cord by the plug part. Do not pull out the plug by tugging the cord, and never touch the power cord when your hands are wet, as this could cause a short circuit or electric shock. Do not place the unit, a piece of furniture, or other object on the power cord or pinch the cord in any other way. Never make a knot in the cord or tie it with other cords. The power cord should be routed so that they are not likely to be stepped on. A damaged power cord can cause a fire or give you an electric shock. Check the power cord once in a while. If you find it damaged, ask your nearest Pioneer authorized service center or your dealer for a replacement.

**Radio wave reflections**

The radio waves received by the receiver include the wave coming directly from the transmitter (direct wave) and waves coming from various directions due to reflections by walls, furniture and building (reflected waves). The reflected waves due to obstacles and reflecting objects further produce a variety of reflected waves as well as variation in reception condition depending on locations. If the audio cannot be received properly due to this phenomenon, try moving the location of the wireless speaker a little. Also note that audio may be interrupted due to the reflected waves when a person crosses or approaches the space between the transmitter and wireless speaker.

**Important**

We do not assume any liability for the damages incurred due to improper use of the product by the user or third party, malfunction during use, other troubles or use of the product, unless indemnity for damages is admitted by the law.

## For safety in operation

Do not use the system in the proximity of electronic equipment that requires high-accuracy control or handling of very low-level signals.

- The system may affect the electronic equipment, causing malfunction or accident. Examples of such electronic equipment:  
Hearing aid, cardiac pacemaker, other electrical medical equipment, fire alarm, automatic door, and other automated control equipment.  
If you use a pacemaker or other electrical medical equipment, consult the manufacturer or dealer to check the effects of radio waves on it.

Do not use the system in places where its use is prohibited, for example near aircraft equipment and in hospitals.

- The system may affect electronic equipment or electrical medical equipment, causing an accident. Follow the instructions given by the aircraft company or medical institution.

# Contents

<b>Contents .....</b>	<b>6</b>
What's in the box .....	6

<b>Connecting Up .....</b>	<b>7</b>
Rear panel .....	7
Rear panel connections .....	8
Placing the speakers and wireless speaker system .....	9

<b>Controls and Displays .....</b>	<b>10</b>
Transmitter .....	10
Wireless speaker .....	10

<b>Additional Information .....</b>	<b>13</b>
Taking care of the unit .....	13
Troubleshooting .....	15
Specifications .....	16

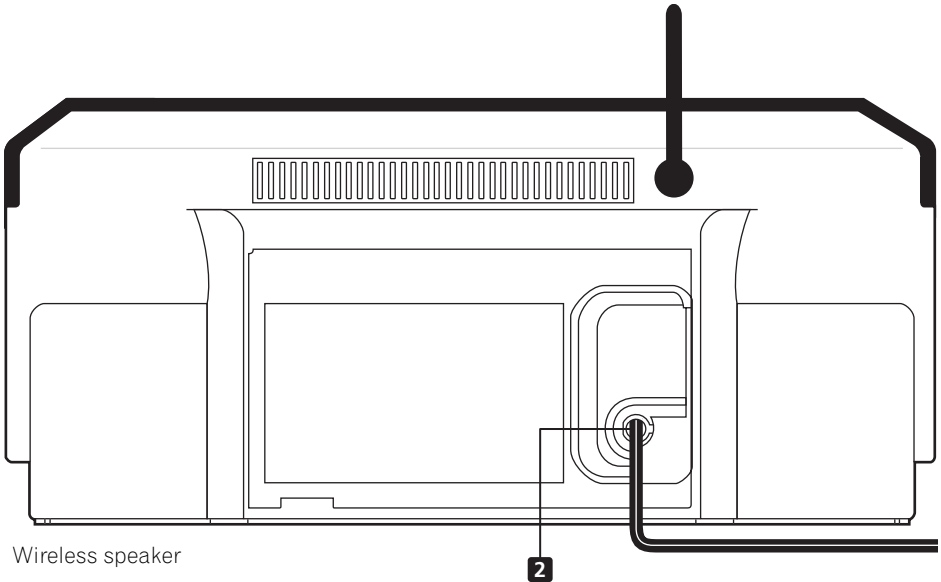
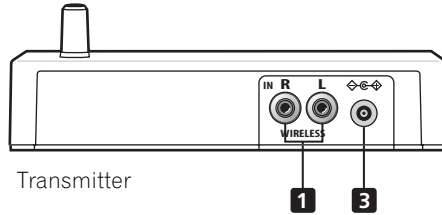
## What's in the box

Please confirm that the following accessories are in the box when you open it.

- Transmitter
- Wireless speaker
- AC adapter
- RCA stereo cord
- These operating instructions
- Warranty card

# Chapter 1 Connecting Up

## Rear panel



- 1 WIRELESS IN L/R jacks
- 2 AC power cable
- 3 DC IN inlet

## Rear panel connections



### Important

- When connecting, make sure that all components are switched off and unplugged.

#### 1 WIRELESS IN L/R jacks

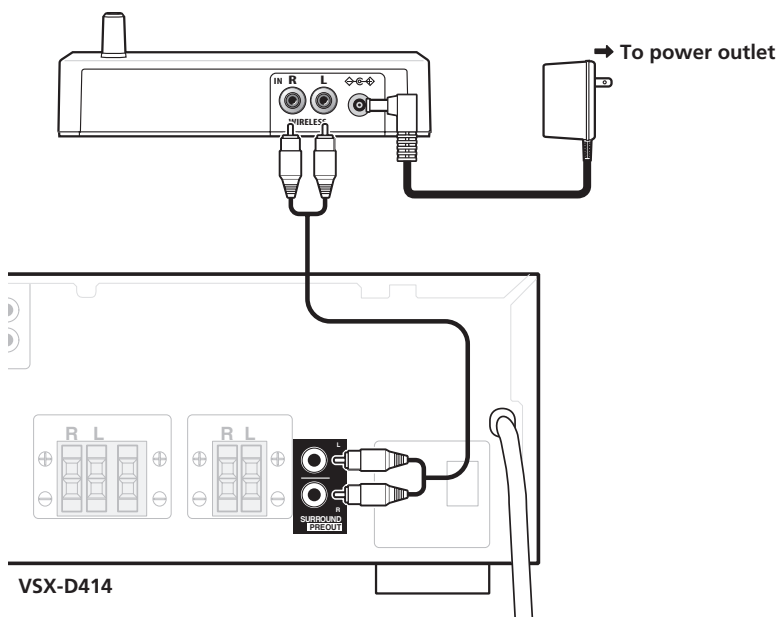
Connect the WIRELESS IN L/R jacks on the transmitter to the PREOUT (SURROUND L/R) jacks on the rear panel of the AV receiver (VSX-D414), using the supplied RCA stereo cord.

#### 2 AC power cable

Plug the AC power cable into a power outlet.

#### 3 DC IN inlet

Connect the supplied AC adapter to the DC IN inlet on the rear panel of the unit, then plug into a power outlet.



VSX-D414



## Placing the speakers and wireless speaker system

Where you put your speakers in the room has a big effect on the quality of the sound. The following guidelines should help you to get the best sound from your system.

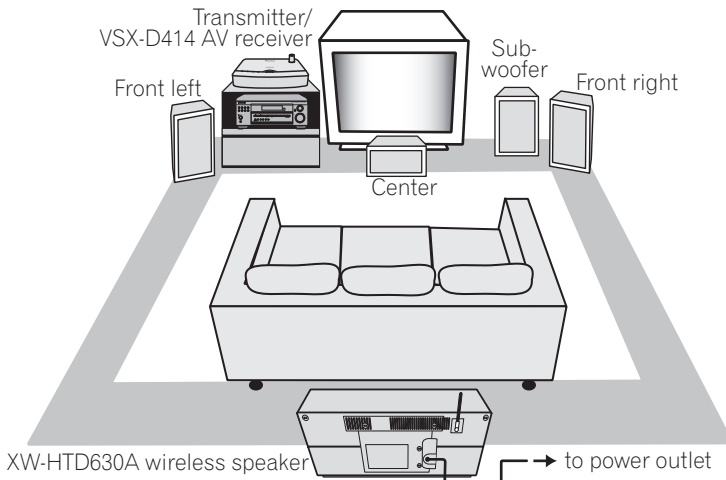
- The illustration below shows a typical speaker setup using the wireless speaker for multichannel sound.
- The subwoofer can be placed on the floor. Ideally, the other speakers should be at about ear-level when you're listening to them. Putting the speakers on the floor (except the subwoofer), or mounting them very high on a wall is not recommended.
- For the best stereo effect, place the front speakers 6–9 ft. / 2–3 m apart, at equal distance from the TV.
- For best surround sound, make sure to place the wireless speaker directly behind the center of the listening position and no higher than ear level.

- Install the center speaker above or below the TV so that the sound of the center channel is localized at the TV screen.



### Note

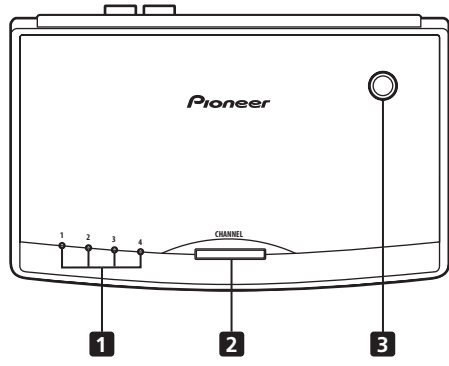
- To compensate for channel delay with this system, you should adjust the surround speaker distance setting in *Choosing your receiver setup* (in the receiver manual) so that it is equal to the front speaker distance setting.
- If you choose to install the center speaker on top of the TV, be sure to secure it by suitable means to reduce the risk of damage or injury resulting from the speaker falling from the TV in the event of external shocks such as earthquakes.
- Make sure that all speakers are securely installed. This not only improves sound quality, but also reduces the risk of damage or injury resulting from speakers being knocked over or falling in the event of external shocks such as earthquakes.



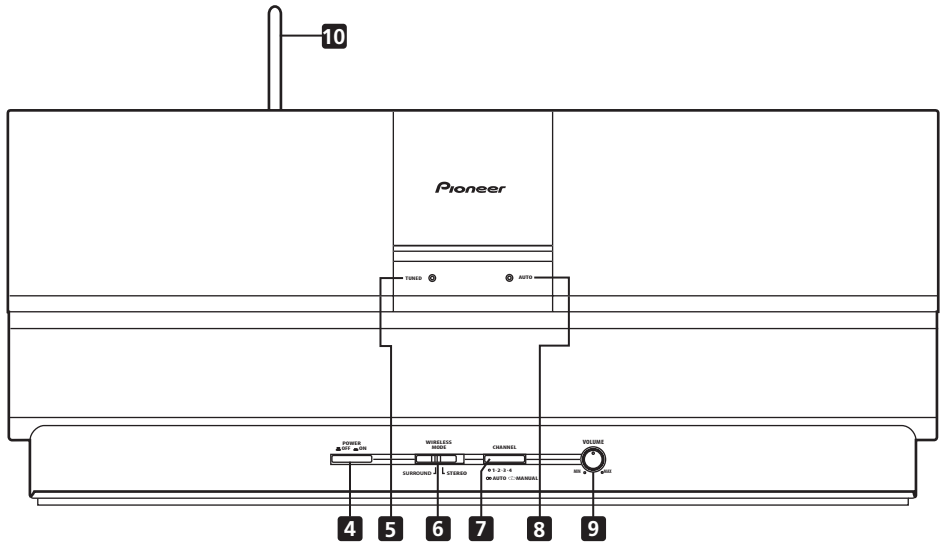
Chapter 2

# Controls and Displays

## Transmitter



## Wireless speaker

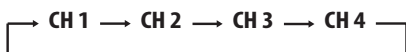


## 1 CHANNEL INDICATORS

Light to indicate the selected channel.

## 2 CHANNEL

The default setting is **CH1**. In case of poor reception due to interference from other electrical devices, you can improve reception by selecting another channel. Each time you press the button, the channel changes sequentially:



Each of the 4 channels is allocated a frequency as follows:

- **CHANNEL 1** - 2.414GHz
- **CHANNEL 2** - 2.432GHz
- **CHANNEL 3** - 2.450GHz
- **CHANNEL 4** - 2.468GHz



### Note

- Poor reception may cause the audio to be interrupted or stopped. This is not malfunction. Try changing the location or orientation of the transmitter and/or the wireless speaker to improve reception.

## 3 Antenna

Transmits signals to the wireless speaker.

## 4 POWER

Press to switch the unit on or off.

## 5 TUNED

Lights when the signal from the transmitter is properly received.

## 6 WIRELESS MODE

Slide to either select **SURROUND** or **STEREO** mode.

**SURROUND** - Sounds going to the surround left and right channels are heard through the wireless speakers.

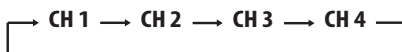
**STEREO** - The wireless speaker can be used as a second stereo speaker system (which will output the same stereo signal as the main system) when you use this setting with the **EX POWER** Advanced Surround mode on the receiver. You will be able to adjust the sound of this speaker independently using the **VOLUME** control (see below).

- Before switching to either mode, stop the DVD player.
- If the AV receiver and wireless speaker modes do not match, the wireless speaker system may produce loud sound.
- When set to **SURROUND**, the **VOLUME** control does not function.

## 7 CHANNEL button

The default setting is **AUTO**. Press and hold for more than 5 seconds to switch between **AUTO** and **MANUAL**.

The reception channel is temporarily locked when set to **MANUAL**. Switching to **MANUAL** may improve reception in some cases. The **CHANNEL** changes as follows each time you press the **CHANNEL (AUTO/MANUAL)** button:



Press **CHANNEL (AUTO/MANUAL)** repeatedly until the same channel as the transmitter is selected.

When the **POWER** is turned off, the **CHANNEL** setting reverts to **AUTO**. Normally, use the **AUTO** setting.



### Note

- When **AUTO** is selected, the same channel as the transmitter is selected automatically.
- When **MANUAL** is selected, be sure to select the same channel as the

transmitter. If a different channel is selected, the signal can not be received.

### 8 AUTO

Lights when **AUTO (AUTO ON)** mode is selected.

### 9 VOLUME

Turn to adjust the speaker volume when **WIRELESS MODE** is set to **STEREO**.

- When set to **SURROUND**, the volume control does not operate. The volume changes automatically.

### 10 Antenna

Receives signals from the transmitter.



#### Note

- The wireless speaker can be used at distances of up to 10m from the transmitter. This range may change depending on the environment.
- Placing the transmitter and the wireless speaker too close together will result in an unstable signal. Make sure they are at more than 1 meter apart for the best reception.

## Chapter 3

# Additional Information

## Taking care of the unit

### Cleaning the unit's exterior

- Use a polishing cloth or dry cloth to wipe off dust and dirt. If the surfaces are very dirty, wipe with a soft cloth dipped in some neutral cleanser diluted five or six times with water and wrung out well, then wipe again with a dry cloth.
- Do not use furniture wax or cleaners. Never use thinners, benzine or insecticide sprays or other chemicals on or near this unit since they will corrode the surfaces.
- If you use a chemical-impregnated cleaning cloth, read the instructions carefully before use. These cloths may leave smear marks on half-mirror finish surfaces; if this happens, finish with a dry cloth.
- Unplug the unit when cleaning.

### Problems with condensation

Condensation may form inside the unit if it is brought into a warm room from outside, or if the temperature of the room rises quickly. Although the condensation won't damage the unit, it may temporarily impair its performance. For this reason you should leave it to adjust to the warmer temperature for about an hour before switching on and using.

### Hints on installation

We want you to enjoy using this unit for years to come, so please bear in mind the following points when choosing a suitable location for it:

#### Do...

- Use in a well-ventilated room.
- Place on a solid, flat, level surface, such as a table, shelf or stereo rack.
- Be sure to switch the wireless speaker off when not in use.

#### Don't...

- Use in a place exposed to high temperatures or humidity, including near radiators and other heat-generating appliances.
- Place on a window sill or other place where the unit will be exposed to direct sunlight.
- Use in an excessively dusty or damp environment.
- Place directly on top of an amplifier, or other component in your stereo system that becomes hot in use.
- Use near a television or monitor as you may experience interference—especially if the television uses an indoor antenna.
- Use in a kitchen or other room where the unit may be exposed to smoke or steam.
- Use on a thick rug or carpet, or cover with cloth—this may prevent proper cooling of the unit.
- Place on an unstable surface, or one that is not large enough to support all four of the unit's feet.

### Moving the wireless speaker

If you need to move the wireless speaker, first press **POWER** on the front panel to turn the unit off. Unplug the power cord.

### AC adapter and power cord caution

- Do not leave the power cord near heating equipment. The coating of the cord may melt, which could lead to fire and/or electrocution.
- Make sure to grasp the body of the AC adapter when removing it from the power outlet. If you pull the power cord, it may become damaged which could lead to fire and/or electrocution.
- Do not attempt to plug in or remove the AC adapter with wet hands. This may result in electrocution.

- Insert the prongs of the AC adapter all the way into the power outlet. If the connection is incomplete, heat may be generated which could lead to fire. Furthermore, contact with the connected prongs of the adapter may result in electrocution.
- Do not insert the AC adapter into a power outlet where the connection remains loose despite inserting the prongs all the way into the outlet. Heat may be generated which could lead to fire. Consult with the retailer or an electrician regarding replacement of the power outlet.
- In a crowd of people or near a building or obstacle.
- In a location exposed to the magnetic field, static electricity or radio wave interference from radio communication equipment using the same frequency band (2.4 GHz) as this system, such as a Bluetooth device, radio LAN device or microwave oven.
- If you live in a heavily populated residential area (apartment, townhouse, etc.) and if your neighbor's microwave is placed near your system, you may experience radio wave interference or no sound from the speaker. If this occurs, move your unit to a different place. When the microwave is not in use, there will be no radio wave interference.

### Radio wave caution

To prevent noise or interrupted communication, do not use this system in the following locations:

- Locations exposed to the magnetic field, static electricity or radio wave interference from radio communication equipment using the same frequency band (2.4 GHz) as this system, such as a Bluetooth device, radio LAN device or microwave oven. (The radio wave may not reach in certain environments.)
- Locations near a radio. (This may cause noise interference.)
- If the transmitter is used near A/V equipment with an antenna input terminal, such as a TV, VCR, BS tuner or CS tuner, you may experience noise interference on a TV near the transmitter. In such cases, place the transmitter at a larger distance from the antenna input terminal of the A/V equipment.

### Scope of operation

Use of this equipment is limited to home use. (Transmission distances may be reduced depending on communication environments.)

In the following locations, poor condition or inability to receive radio waves may cause the audio to be interrupted or stopped:

- In reinforced concrete buildings or homes made of metallic structural members.
- Near large metallic furniture.

## Troubleshooting

- Incorrect operations are often mistaken for trouble and malfunctions. If you think that there is something wrong with this component, check the points below. If the trouble cannot be rectified even after exercising the checks listed below, ask your nearest PIONEER authorized service center or your dealer to carry out repair work.
- If you are experiencing problems with the wireless speaker system, make sure to bring both the transmitter and the wireless speaker in for repair so that they can be tested properly.

Symptom	Cause & Remedy
<b>Audio is interrupted.</b>	<ul style="list-style-type: none"> <li>• This system uses high frequency radio waves that have properties similar to light, such as linearity, reflection, refraction, diffraction, and interference. Therefore, placement of the system can result in weak radio waves and/or interruption.</li> <li>• The distance between the transmitter and wireless speaker may be too large. Use the wireless speaker within the reach of radio wave from the transmitter.</li> <li>• Is the system being used in a location with favorable condition for electrical noise generation?</li> </ul>
<b>Audio is suddenly interrupted.</b>	<ul style="list-style-type: none"> <li>• There may be radio communication equipment using the same frequency band (2.4 GHz) as this system, such as a Bluetooth device, radio LAN device or microwave oven, operating nearby.</li> </ul>
<b>Audio cannot be received.</b>	<ul style="list-style-type: none"> <li>• The radio wave reception is variable depending on locations due to the effects of obstacles and reflecting objects. Try changing the location of the receiver a little.</li> <li>• The transmitter and receiver are designed and sold as a pair, and they identify each other in communication. This means that communication is not available between separately purchased transmitter and receiver.</li> </ul>
<b>Horizontal stripe noise interference on a TV set near the transmitter.</b>	<ul style="list-style-type: none"> <li>• Is there a piece of A/V equipment with an antenna near the transmitter? If so, move the transmitter away from the antenna input terminal of the AV equipment.</li> </ul>
<b>Power shuts off when the switch is on or the system is in operation.</b>	<ul style="list-style-type: none"> <li>• The system is malfunctioning. Please contact the nearest PIONEER authorized service center.</li> </ul>

### Caution

Static electricity or other external influence may cause malfunctioning of this unit. In this case, unplugging the power cord and then re-plugging it in will usually reset the unit for proper operation. If this does not correct the problem, please consult your nearest PIONEER service center.

## Specifications

### General

Digital Wireless Speaker System  
(Transmitter/Wireless speaker)

### Transmitter

AC adapter  
 Power requirements . . . . . AC 120V, 60Hz  
 Power consumption . . . . . 8W  
 Rated output . . . . . 12V/300mA  
 Power consumption (without AC adapter)  
 . . . . . 2W  
 Input . . . . . RCA jack  
 Weight . . . . . 0.3kg  
 Dimensions . . . . . 166(W) x 56(H) x 112(D)mm

### Wireless Speaker

Power requirements . . . . . AC 120V, 60Hz  
 Power consumption . . . . . 57W  
 Amplifier characteristics  
 Maximum power output . . . . . 25W/ch  
 RMS (1kHz, THD10%, 4Ω)  
 Speaker unit . . . . . 7cm cone type x 2  
 Weight . . . . . 4.2kg  
 Dimensions . . . . . 420(W) x 178(H) x 138(D)mm

### Accessories

Transmitter . . . . . 1  
 Wireless speaker . . . . . 1  
 AC adapter . . . . . 1  
 RCA stereo cord . . . . . 1  
 These operating Instructions . . . . . 1  
 Warranty card . . . . . 1



### Important

- The specifications and design of this product are subject to change without notice, due to improvement.

Published by Pioneer Corporation.  
 Copyright © 2003 Pioneer Corporation.  
 All rights reserved.





## Dear Customer:

Selecting fine audio equipment such as the unit you've just purchased is only the start of your musical enjoyment. Now it's time to consider how you can maximize the fun and excitement your equipment offers. This manufacturer and the Electronic Industries Association's Consumer Electronics Group want you to get the most out of your equipment by playing it at a safe level. One that lets the sound come through loud and clear without annoying blaring or distortion-and, most importantly, without affecting your sensitive hearing.

Sound can be deceiving. Over time your hearing "comfort level" adapts to higher volumes of sound. So what sounds "normal" can actually be loud and harmful to your hearing. Guard against this by setting your equipment at a safe level BEFORE your hearing adapts.

### To establish a safe level:

- Start your volume control at a low setting.
- Slowly increase the sound until you can hear it comfortably and clearly, and without distortion.

### Once you have established a comfortable sound level:

- Set the dial and leave it there.

Taking a minute to do this now will help to prevent hearing damage or loss in the future. After all, we want you listening for a lifetime.

## We Want You Listening For A Lifetime

Used wisely, your new sound equipment will provide a lifetime of fun and enjoyment. Since hearing damage from loud noise is often undetectable until it is too late, this manufacturer and the Electronic Industries Association's Consumer Electronics Group recommend you avoid prolonged exposure to excessive noise. This list of sound levels is included for your protection.

### Decibel Level Example

30	Quiet library, soft whispers
40	Living room, refrigerator, bedroom away from traffic
50	Light traffic, normal conversation, quiet office
60	Air conditioner at 20 feet, sewing machine
70	Vacuum cleaner, hair dryer, noisy restaurant
80	Average city traffic, garbage disposals, alarm clock at two feet.

### THE FOLLOWING NOISES CAN BE DANGEROUS UNDER CONSTANT EXPOSURE

90	Subway, motorcycle, truck traffic, lawn mower
100	Garbage truck, chain saw, pneumatic drill
120	Rock band concert in front of speakers, thunderclap
140	Gunshot blast, jet plane
180	Rocket launching pad

Information courtesy of the Deafness Research Foundation.



5001\_En

# IMPORTANT



Ce symbole de l'éclair, placé dans un triangle équilatéral, a pour but d'attirer l'attention de l'utilisateur sur la présence, à l'intérieur du coffret de l'appareil, de "tensions dangereuses" non isolées d'une grandeur suffisante pour représenter un risque d'électrocution pour les êtres humains.



**ATTENTION:**  
POUR EVITER TOUT RISQUE D'ELECTROCUTION, NE PAS ENLEVER LE COUVERCLE (NI LE PANNEAU ARRIERE). AUCUNE PIECE REPARABLE PAR L'UTILISATEUR NE SE TROUVE A L'INTERIEUR. CONFIER TOUT ENTRETIEN A UN PERSONNEL QUALIFIE UNIQUEMENT.



Ce point d'exclamation, placé dans un triangle équilatéral, a pour but d'attirer l'attention de l'utilisateur sur la présence, dans les documents qui accompagnent l'appareil, d'explications importantes du point de vue de l'exploitation ou de l'entretien.

H002A\_Fr

**ATTENTION:** CET APPAREIL N'EST PAS IMPERMEABLE, AFIN DE PREVENIR TOUT RISQUE DE CHOC ELECTRIQUE OU DE DEBUT D'ENCENDIE, NE PAS EXPOSER CET APPAREIL A L'HUMIDITE OU A LA PLUIE ET NE PLACER AUPRES DE LUI AUCUNE SOURCE D'EAU, TELS QUE VASES, POTS DE FLEUR, COSMETIQUES, FLACONS DE MEDICAMENTS, ETC.

H001A\_Fr

**ATTENTION:** NE PLACEZ AUCUNE SOURCE DE FLAMME NUE, TELLE QUE LES BOUGIES ALLUMÉES, PRES DE L'APPAREIL. SI UNE SOURCE DE FLAMME NUE DEVAIT TOMBER ACCIDENTELLEMENT SUR L'APPAREIL, LE FEU SE REPANDRAIT SUR L'APPAREIL ET POURRAIT CAUSER UN INCENDIE.

H044\_Fr

**ATTENTION:** AVANT DE BRANCHER L'APPAREIL POUR LA PREMIERE FOIS, LIRE ATTENTIVEMENT LA SECTION SUIVANTE. LE VOLTAGE POUR L'ALIMENTATION ELECTRIQUE EST DIFFERENT SELON LES PAYS ET REGIONS, ASSUREZ VOUS QUE L'ALIMENTATION ELECTRIQUE DU LIEU OU VOUS UTILISEREZ L'APPAREIL POSSEDE LE VOLTAGE REQUIS (E.G., 230V OU 120V) INDIQUE SUR LE PANNEAU ANTERIEUR.

H041\_Fr

## CONDITIONS DE FONCTIONNEMENT

Température et humidité ambiante lors du fonctionnement:

+5°C – +35°C (+41°F – +95°F); inférieure à 85%RH (events d'aération non obstrués)

Ne pas installer dans les lieux suivants

- Lieux exposés à la lumière direct du soleil ou lumière artificielle forte
- Lieux exposés à une forte humidité ou lieux peu ventilés

H045\_Fr

### [Pour le modèle Canadien]

**ATTENTION:** POUR PREVENIR LES CHOCS ELECTRIQUES NE PAS UTILISER CETTE FICHE POLARISEE AVEC UN PROLONGATEUR UNE PRISE DE COURANT OU UNE AUTRE SORTIE DE COURANT, SAUF SI LES LAMES PEUVENT ETRE INSEREES A FOND SANS EN LAISSER AUCUNE PARTIE A DECOUVERT.

H007A

### [Pour le modèle Canadien]

Cet appareil numérique de la classe B est conforme à la norme NMB-003 du Canada.

H009

## VENTILATION:

Lors de l'installation de cet appareil, veuillez à ménager un espace suffisant autour de ses parois de manière à ce que la chaleur puisse se dissiper aisément (au moins 10cm à l'arrière supérieure, 10cm à l'arrière et 10cm de chaque côté).

**ATTENTION:** Les événements et les ouvertures dans la structure sont prévus pour la ventilation et pour assurer le bon fonctionnement du produit et pour la protéger des risques de surchauffe, et des risques d'incendie, les ouvertures ne doivent jamais être bloquées ni couvertes par des matériaux tels que journaux, nappes, rideaux, etc. De même, ne pas positionner l'appareil sur un tapis épais, lit, canapé ou tout meuble possédant un rembourrage épais.

H040\_Fr

**ATTENTION:** L'interrupteur POWER en position off ne déconnecte pas complètement l'appareil de l'alimentation secteur. Il est donc nécessaire d'installer l'appareil dans un endroit permettant de déconnecter facilement la fiche d'alimentation en cas d'incident. La fiche d'alimentation devrait être débranchée de la prise murale lorsque l'appareil n'est pas utilisé sur une longue période.

H046 Fr

## Précautions relatives au câble d'alimentation

Saisissez le câble d'alimentation par la fiche. Ne débranchez la fiche en tirant sur le câble, ne touchez pas le câble avec les mains mouillées car vous pourriez provoquer un court-circuit ou ressentir une secousse électrique. Veillez à ce que l'appareil, un meuble, ou un objet quelconque n'écrasent pas le câble d'alimentation et que ce dernier ne soit jamais soumis à une forte pression. Ne nouez pas le câble d'alimentation, ne le reliez pas à d'autres câbles. Les câbles d'alimentation doivent être chemisés de façon que l'on ne les écrase pas en marchant. Un câble d'alimentation endommagé peut provoquer un incendie ou être la cause d'une secousse électrique. Vérifiez le câble d'alimentation de temps en temps. Si le câble est endommagé, contactez un service d'entretien agréé par Pioneer ou le revendeur, et demandez son remplacement.

## Réflexions des ondes radio

Les ondes radio reçues par le récepteur comprennent les ondes provenant de l'émetteur (ondes directes) et celles qui résultent des réflexions sur les murs, les meubles et le plafond (ondes réfléchies). Les ondes réfléchies produisent d'autres ondes réfléchies, en raison des obstacles ou des objets réfléchissants placés sur leur trajet, et cela entraîne des variations de condition de réception qui le plus souvent dépendent de l'emplacement du récepteur. Si le son n'est pas convenablement reçu du fait des perturbations engendrées par ces phénomènes, vous pouvez tout d'abord tenter d'améliorer la situation en modifiant légèrement l'emplacement des enceintes sans fil. Sachez également que le son peut être interrompu, encore une fois en raison de l'existence d'ondes réfléchies, au moment où quelqu'un passe entre l'émetteur et l'enceinte, ou tout simplement s'en approche.



### Important

Sauf si des dispositions particulières sont prévues par la loi, nous ne saurions accepter aucune responsabilité pour les dommages résultant d'une utilisation incorrecte de l'appareil, que ce soit par celui qui le possède ou par un tiers, d'une anomalie de fonctionnement, d'un défaut lié ou non à l'emploi de l'appareil.

## Par mesure de sécurité

N'utilisez pas l'appareil au voisinage d'autres équipements électroniques qui exigent une très grande précision de commande ou qui traitent des signaux à très bas niveau.

- L'appareil peut perturber ces équipements électroniques, provoquer des anomalies de fonctionnement voire un accident. Exemples d'équipements électroniques concernés: Appareils auditifs, stimulateurs cardiaques, autres appareils médicaux, alarmes incendie, portes à fonctionnement automatique, autres appareils à commande automatique. Si vous portez un stimulateur cardiaque ou faites usage d'un appareil médical électronique, il est conseillé de consulter le fabricant ou le revendeur pour connaître quels effets les ondes radioélectriques peuvent avoir sur son fonctionnement.

N'utilisez pas l'appareil dans les lieux où son emploi est interdit, par exemple à proximité d'un avion ou dans un hôpital.

- L'appareil peut perturber ces équipements électroniques, provoquer des anomalies de fonctionnement voire un accident. Respectez les instructions de la compagnie aérienne ou de l'institution médicale.

# Table des matières

## Table des matières .....5

Contenu de l'emballage ..... 5

## Connexions .....6

Panneau arrière ..... 6

Connexions au panneau arrière ..... 7

Disposition des haut-parleurs et du système de haut-parleurs sans fil ..... 8

## Commandes et afficheurs .....9

Émetteur ..... 9

Enceinte sans fil ..... 9

## Informations complémentaires ...12

Soin de l'appareil ..... 12

Guide de dépannage ..... 14

Caractéristiques techniques ..... 15

## Contenu de l'emballage

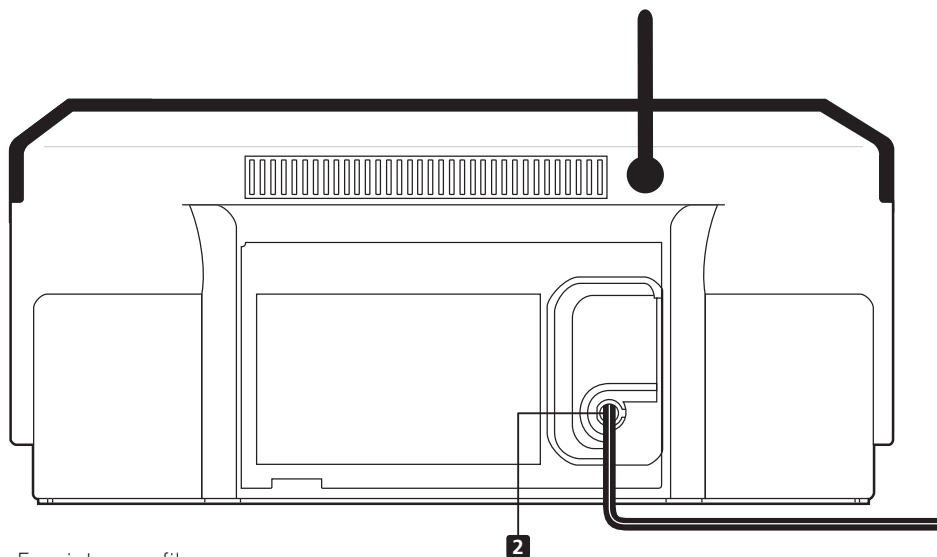
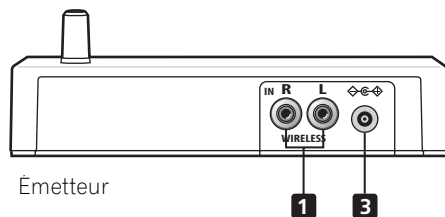
Veuillez vous assurer que les accessoires suivants ont été livrés avec l'appareil lorsque vous ouvrez son emballage.

- Émetteur
- Enceinte sans fil
- Adaptateur secteur
- Cordon stéréo à fiches Cinch (RCA)
- Ce mode d'emploi
- Carte de garantie

## Chapitre 1

# Connexions

### Panneau arrière



- 1 Prises WIRELESS IN L/R
- 2 Cordon d'alimentation secteur
- 3 Entrée DC IN

## Connexions au panneau arrière



### Important

- Avant d'effectuer quelque connexion que ce soit, assurez-vous que tous les appareils sont hors tension ou que la fiche de leur cordon d'alimentation est débranchée.

### 1 Prises WIRELESS IN L/R

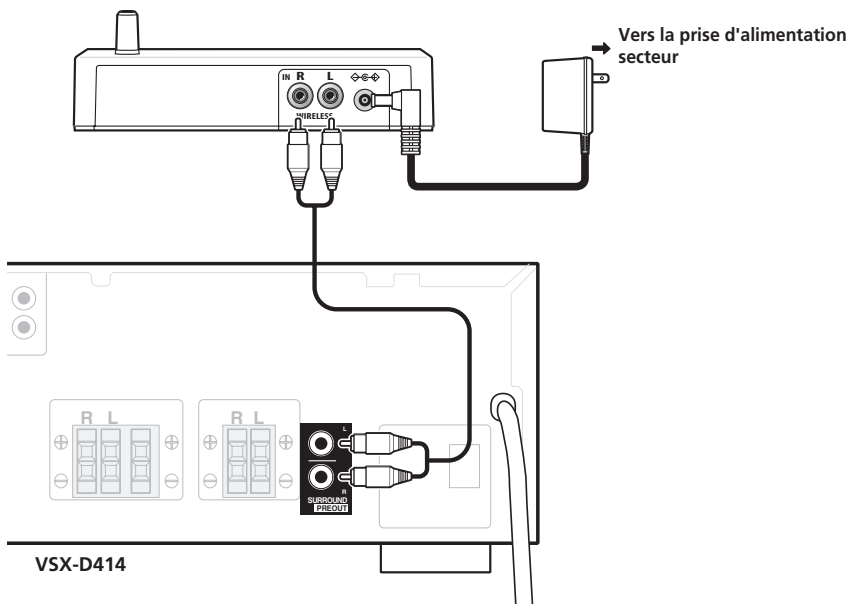
Au moyen du cordon stéréo fourni, reliez la prise WIRELESS IN L/R de l'émetteur à la prise PREOUT (SURROUND L/R) du panneau arrière du récepteur audiovisuel (VSX-D414).

### 2 Cordon d'alimentation secteur

Branchez la fiche du cordon d'alimentation fourni sur une prise secteur.

### 3 Entrée DC IN

Reliez le cordon de l'adaptateur secteur fourni à la prise DC IN placée sur le panneau arrière de l'appareil puis branchez l'adaptateur lui-même sur une prise secteur.



## Disposition des haut-parleurs et du système de haut-parleurs sans fil

L'agencement des haut-parleurs dans la salle d'écoute influencera fortement sur la qualité des sons. Les principes suivants doivent vous aider à obtenir les meilleurs sons possibles de votre système.

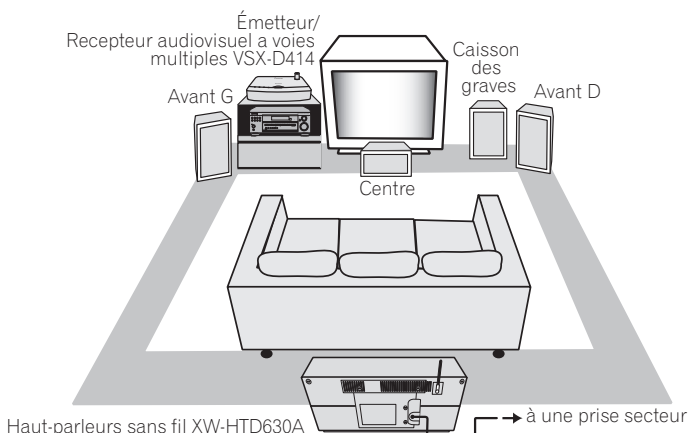
- Le schéma ci-dessous illustre une installation typique, utilisant les haut-parleurs sans fil pour une restitution de sons multicanaux.
- Le caisson des graves peut être placé sur le sol. Idéalement parlant, les autres haut-parleurs doivent se trouver au niveau de vos oreilles lorsque vous écoutez leurs sons. Il n'est pas conseillé de poser les haut-parleurs sur le sol (sauf le caisson des graves) ou de les accrocher très haut sur une paroi.
- Pour bénéficier d'un effet stéréo optimal, écartez les deux haut-parleurs avant de 6 à 9 pieds ou de 2 à 3 m, en les plaçant à égale distance du téléviseur.
- Pour obtenir un son ambiant (surround) idéal, veillez à placer les haut-parleurs sans fil juste derrière le centre de la position d'écoute et pas plus haut que le niveau des oreilles.
- Installez le haut-parleur central au-dessus ou au-dessous du téléviseur, de sorte que le son du canal central soit

localisé au niveau de l'écran du téléviseur.



### Remarque

- Pour compenser les différences de marche entre les voies de ce système, vous devez régler le paramètre de distance des enceintes comme il est dit au paragraphe *Choix de la configuration du récepteur* (mode d'emploi du récepteur) de telle sorte qu'il ait une valeur égale à la moitié de la distance des enceintes avant.
- Si vous choisissez d'installer le haut-parleur central sur le dessus du téléviseur, veillez à l'immobiliser de façon adéquate pour réduire les risques de dégâts et de blessures, découlant d'une chute du haut-parleur en cas de secousses, telles que lors d'un séisme.
- Assurez-vous que tous les haut-parleurs sont correctement installés. Ceci améliorera la qualité sonore mais réduira également les risques de dégâts ou de blessures, pouvant résulter de la chute des haut-parleurs en cas de chocs externes, provoqués par exemple par un séisme.

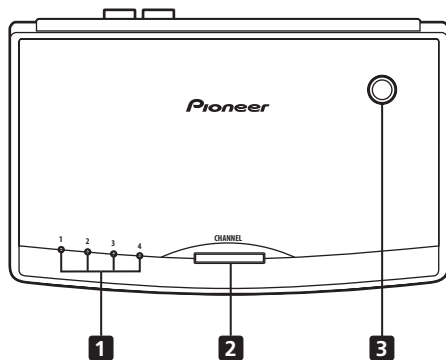




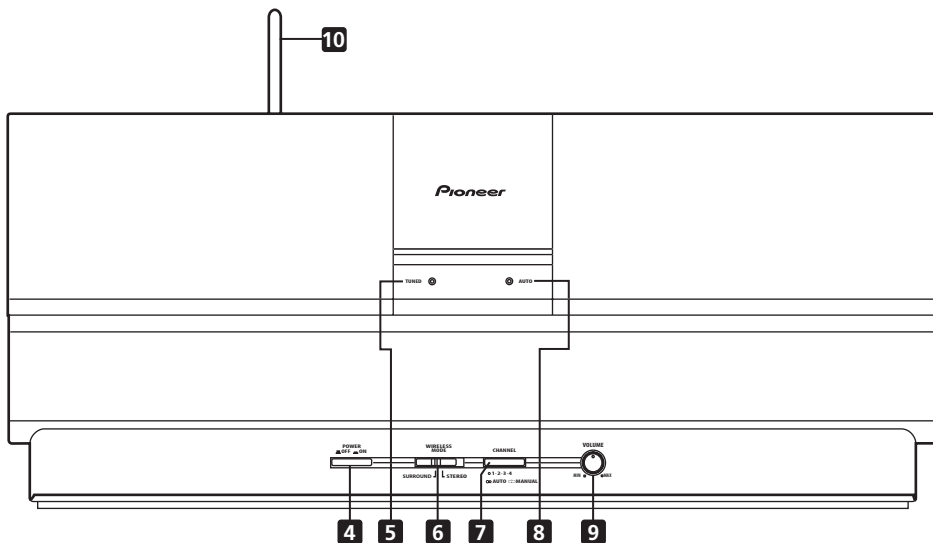
Chapitre 2

# Commandes et afficheurs

## Émetteur



## Enceinte sans fil

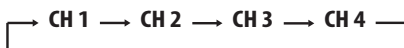


### 1 CHANNEL INDICATORS

Le témoin correspondant au canal utilisé, s'éclaire.

### 2 CHANNEL

Par défaut, le réglage est **CH1**. Si la réception est médiocre du fait de brouillage provoqué par d'autres appareils électriques, tenter de l'améliorer en sélectionnant un autre canal. Chaque pression sur la touche sélectionne un autre canal, dans l'ordre:



À chacun des 4 canaux est allouée une fréquence, à savoir:

- **CHANNEL 1** - 2,414GHz
- **CHANNEL 2** - 2,432GHz
- **CHANNEL 3** - 2,450GHz
- **CHANNEL 4** - 2,468GHz



#### Remarque

- Lorsque la réception est médiocre, le son peut être interrompu ou très affaibli. Il ne s'agit pas d'un défaut de fonctionnement de l'appareil. Tentez d'abord de changer l'emplacement de l'émetteur ou son orientation, puis procédez pareillement avec l'enceinte sans fil.

### 3 Antenne

Elle émet les signaux destinés à l'enceinte sans fil.

### 4 POWER

Appuyez sur cette touche pour allumer l'appareil ou le mettre en veille.

### 5 TUNED

Ce témoin s'éclaire lorsque le signal provenant de l'émetteur est reçu dans de bonnes conditions.

### 6 WIRELESS MODE

Déplacez ce commutateur pour sélectionner **SURROUND** ou **STEREO**.

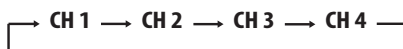
**SURROUND** - Les sons normalement destinés aux enceintes d'ambiance gauche et droite sont émis par les enceintes sans fil.

**STEREO** - L'enceinte sans fil peut être utilisée comme une deuxième enceinte stéréophonique (qui émet alors le même signal stéréophonique que l'enceinte principale) si vous utilisez ce réglage et en même temps le mode **EX POWER** Advanced Surround pour le récepteur. Vous avez la possibilité de régler indépendamment les sons émis par cette enceinte au moyen de la commande **VOLUME** (reportez-vous ci-dessous).

- Avant de sélectionner un mode ou l'autre, arrêtez le lecteur de DVD.
- Si le mode de fonctionnement des enceintes sans fil n'est pas le même que celui du récepteur audiovisuel, les enceintes sans fil peuvent émettre des sons de forte puissance.
- Si vous avez choisi **SURROUND**, la commande **VOLUME** ne joue aucun rôle.

### 7 Touche CHANNEL

Par défaut, le réglage est **AUTO**. Appuyez, pendant au moins 5 seconde, sur cette touche pour basculer de **AUTO** à **MANUAL**. Le canal de réception est momentanément verrouillé lorsque vous sélectionnez **MANUAL**. Dans certains cas, le choix de **MANUAL** améliore la réception. **CHANNEL** change de la manière suivante chaque fois que vous appuyez sur la touche **CHANNEL (AUTO/MANUAL)**:



Appuyez de manière répétée sur la touche **CHANNEL (AUTO/MANUAL)** jusqu'à ce que le canal sélectionné soit le même que celui de l'émetteur, sonore soit améliorée.

Lorsque le témoin **POWER** s'éteint, le paramètre **CHANNEL** reprend la valeur **AUTO**. En temps normale, vous devez utiliser le réglage **AUTO**.



### Remarque

- Si vous sélectionnez **AUTO**, le canal choisi est automatiquement le même que celui de l'émetteur.
- Si vous sélectionnez **MANUAL**, il vous faut choisir manuellement le même canal que celui de l'émetteur. En effet, si vous choisissez un autre canal, aucune signal ne peut être reçu.

### 8 AUTO

Ce témoin s'éclaire lorsque vous sélectionnez le mode **AUTO (AUTO ON)**.

### 9 VOLUME

Tournez cette commande pour régler le niveau d'écoute si vous avez réglé **WIRELESS MODE** sur la valeur **STEREO**.

- Si vous avez choisi **SURROUND**, la commande de niveau d'écoute ne joue aucun rôle. Le niveau d'écoute varie automatiquement.

### 10 Antenne

Elle reçoit le signal émis par l'émetteur.



### Remarque

- L'enceinte sans fil peut être utilisée à une distance de 10 m de l'émetteur. La portée de ce dernier varie en fonction de l'environnement.
- Placer l'émetteur et l'enceinte trop près l'un de l'autre conduit à la production d'un signal instable. Veillez à ce que ces deux appareils soient séparés par un mètre pour que la réception soit bonne.

## Chapitre 3

# Informations complémentaires

## Soin de l'appareil

### Nettoyage de l'extérieur de l'appareil

- Utilisez un torchon de nettoyage ou un chiffon sec pour enlever la poussière et la saleté. Si les surfaces sont très sales, nettoyez-les avec un chiffon doux humecté d'un produit nettoyant neutre dilué cinq ou six fois dans de l'eau, essorez soigneusement le chiffon et terminez avec un autre chiffon sec.
- N'utilisez ni cire pour les meubles ni autres produits de nettoyage. N'utilisez ni diluants, ni essence, ni insecticides en bombe aérosol, ni aucun produit chimique, que ce soit directement sur l'appareil ou à proximité car cela pourrait endommager les surfaces.
- Si vous utilisez un chiffon imprégné de produits chimiques, respectez attentivement les instructions d'utilisation. Ces chiffons peuvent laisser des marques sur les surfaces vitrées; dans ce cas, essuyez avec un chiffon sec.
- Débranchez l'appareil lors de son nettoyage.

### Problèmes liés à la condensation

De la condensation risque de se former à l'intérieur de l'appareil si vous le transportez de l'extérieur dans une pièce chaude, ou si la température de la pièce augmente rapidement. Bien que la condensation ne puisse pas endommager l'appareil, elle risque de dégrader provisoirement ses performances. Pour cette raison, attendez environ une heure, le temps pour l'appareil de prendre la température ambiante plus élevée, avant de l'allumer et de l'utiliser.

### Conseils d'installation

Nous souhaitons que vous puissiez utiliser cet appareil pendant de nombreuses années; les consignes suivantes vous aideront à choisir un emplacement adéquat:

### Ce que vous devez faire...

- Utiliser l'appareil dans une pièce bien aérée.
- Placer l'appareil sur une surface horizontale stable, telle qu'une table, une étagère ou un rack stéréo.
- Ne pas oublier de couper l'alimentation de l'enceinte sans fil quand elle n'est pas utilisée.

### Ce que vous ne devez pas faire...

- Utiliser l'appareil dans un endroit où il sera exposé à des températures ou un degré d'humidité élevés, y compris à proximité de radiateurs ou autres appareils de chauffage.
- Placer l'appareil devant une fenêtre ou tout autre endroit où il serait directement exposé au soleil.
- Utiliser l'appareil dans un environnement très poussiéreux ou très humide.
- Placer l'appareil directement au-dessus d'un amplificateur, ou autre composant de votre chaîne stéréo susceptible de dégager de la chaleur au cours de son utilisation.
- Utiliser l'appareil à proximité d'un téléviseur ou d'un moniteur; en effet, il risque de provoquer des brouillages, notamment si le téléviseur est équipé d'une antenne interne.
- Utiliser l'appareil dans une cuisine ou toute autre pièce où il serait exposé à la fumée ou à la vapeur.
- Poser l'appareil sur de la moquette ou un tapis épais, le recouvrir d'un linge; vous empêcheriez son refroidissement correct.
- Placer l'appareil sur une surface instable ou trop petite pour porter les quatre pieds de son socle.

### Avant de déplacer l'enceinte sans fil

Avant de déplacer l'enceinte sans fil, appuyez sur la touche **POWER** de la face avant, de manière à la mettre hors tension. Débranchez la fiche du cordon d'alimentation.

## Précautions concernant l'adaptateur secteur et le cordon d'alimentation

- Ne conservez pas le cordon d'alimentation à proximité d'un appareil de chauffage. L'isolant pourrait fondre, ce qui pourrait entraîner un incendie ou une électrocution.
- Pour débrancher l'adaptateur au niveau de la prise secteur, veillez à saisir l'adaptateur lui-même. Si vous tirez sur le cordon d'alimentation, vous risquez de l'endommager, ce qui peut entraîner un incendie ou une électrocution.
- Ne branchez pas, ne débranchez pas l'adaptateur secteur quand vous avez les mains mouillées. Vous pourriez vous électrocuter.
- Veillez à ce que les broches de l'adaptateur soient complètement introduites dans la prise secteur. Si la connexion n'est pas totale, de la chaleur peut se dégager, ce qui peut provoquer un incendie. De plus, tout contact avec la partie à nu des broches de l'adaptateur peut entraîner une électrocution.
- Ne branchez pas l'adaptateur secteur sur une prise qui n'assurerait pas un contact étroit, même lorsque les broches sont entièrement introduites dans la prise. De la chaleur peut se dégager, ce qui peut entraîner un incendie. Consultez un revendeur ou un électricien si la prise secteur doit être remplacée.

## Précautions concernant les ondes radio

Pour éviter les bruits et les interruptions de communication, n'utilisez pas cet ensemble dans les endroits mentionnés ci-dessous:

- Les endroits exposés au champ magnétique, à l'électricité statique ou au brouillage radioélectrique dus à des équipements de communication travaillant dans la même gamme de fréquence (2,4 GHz) que celle de cet ensemble, par exemple les appareils Bluetooth ou ceux des réseaux locaux radioélectriques, ou encore les fours à micro-ondes. (Les ondes radioélectriques peuvent être interrompues dans certains cas.)
- Les endroits voisins d'un appareil radio. (Du bruit peut être provoqué par brouillage.)
- Si l'émetteur est placé au voisinage d'un appareil audiovisuel équipé d'une antenne, par exemple un téléviseur, un magnétoscope, un syntoniseur pour satellite ou un syntoniseur CS, vous pouvez constater le brouillage du téléviseur placé près de l'émetteur. Si cela se produit, éloignez l'émetteur de la borne d'entrée antenne de l'appareil audiovisuel.

## Domaine d'utilisation de l'appareil

Cet appareil a été conçu pour une utilisation domestique.

(La distance de transmission peut être réduite en fonction de l'environnement.)

Dans les cas suivants, les conditions de réception peuvent se dégrader au point que le son soit interrompu ou très affaibli:

- À l'intérieur d'un bâtiment en béton ou d'un habitation ayant une structure métallique.
- Près d'un meuble métallique de grande taille.
- Dans la foule, au voisinage d'un bâtiment ou à l'ombre d'un obstacle.
- Dans les endroits exposés au champ magnétique, à l'électricité statique ou au brouillage radioélectrique dus à des équipements de communication travaillant dans la même gamme de fréquence (2,4 GHz) que celle de cet ensemble, par exemple les appareils Bluetooth ou ceux des réseaux locaux radioélectriques, ou encore les fours à micro-ondes.
- Si vous habitez dans une zone très peuplée (appartements, immeubles résidentiels, etc.) et si un de vos voisins possède un four à micro-ondes installé dans une pièce proche de votre ensemble, il se peut que vous notiez des brouillages radioélectriques ou que l'enceinte n'émette aucun son. En ce cas, placez l'appareil dans un autre endroit. Lorsque le four à micro-ondes n'est pas utilisé, il ne peut pas produire de brouillage radioélectrique.

## Guide de dépannage

- Un erreur d'utilisation est souvent prise pour un défaut ou une anomalie de fonctionnement. Si vous pensez que le fonctionnement de l'appareil est anormal, vérifiez tout d'abord ce qui suit. Si cela ne vous permet pas de corriger la situation, consultez un centre d'entretien agréé par PIONEER ou encore le revendeur pour obtenir la réparation de l'appareil.
- Si vous constatez une anomalie dans le fonctionnement de l'enceinte sans fil, apportez ensemble pour réparation l'émetteur et l'enceinte sans fil de façon que l'essai de l'ensemble puisse être réalisé.

Symptômes	Causes probables et remèdes
<b>Le son est coupé.</b>	<ul style="list-style-type: none"> <li>• Cet ensemble utilise des ondes radioélectriques à très haute fréquence qui en termes de propagation, de réflexion, de réfraction, de diffraction et de brouillage présentent des propriétés voisines de celles de la lumière. En conséquence l'emplacement choisi peut conduire à une réception médiocre, voire à une interruption de la réception des ondes radioélectriques.</li> <li>• La distance entre l'émetteur et une enceinte sans fil peut être trop grande. Utilisez l'enceinte sans fil dans la zone couverte par les ondes radioélectriques provenant de l'émetteur.</li> <li>• L'ensemble est-il utilisé dans un lieu où des bruits électriques ont toute chance d'être produits?</li> </ul>
<b>Le son est soudainement coupé.</b>	<ul style="list-style-type: none"> <li>• Il se peut qu'un appareil de type Bluetooth, un équipement de réseau local radioélectrique ou un four à micro-ondes, travaillant dans la même gamme de fréquence (2,4 GHz) soit en fonctionnement dans le voisinage.</li> </ul>
<b>Il est impossible de recevoir le son.</b>	<ul style="list-style-type: none"> <li>• La réception des ondes radioélectriques dépend de l'emplacement choisi en raison des obstacles et des réflexions possibles. Tentez de déplacer légèrement le récepteur.</li> <li>• L'émetteur et le récepteur sont conçus comme une paire et vendus comme tels; ils s'identifient l'un à l'autre pendant les communications. Cela veut dire que les communications sont impossibles entre un émetteur et un récepteur achetés séparément.</li> </ul>
<b>Une bande de bruit horizontale apparaît sur l'écran du téléviseur placé près de l'émetteur.</b>	<ul style="list-style-type: none"> <li>• Un appareil audiovisuel possédant une antenne est-il installé près de l'émetteur? Si oui, éloignez l'émetteur de la borne d'entrée antenne de l'appareil audiovisuel.</li> </ul>
<b>L'alimentation se coupe alors que l'ensemble est en fonctionnement.</b>	<ul style="list-style-type: none"> <li>• L'ensemble présente un défaut de fonctionnement. Consultez un centre d'entretien agréé par PIONEER.</li> </ul>

### Attention

L'électricité statique ou d'autres causes extérieures peuvent provoquer une anomalie de fonctionnement. En ce cas, débrancher la fiche du cordon d'alimentation puis la rebrancher suffit en général à rétablir les conditions normales. Si cela n'est pas le cas, consultez un centre d'entretien agréé par PIONEER.

## Caractéristiques techniques

### Généralités

Enceintes sans fil pour transmission numérique  
(Émetteur / Enceinte sans fil)

### Émetteur

Adaptateur secteur  
 Alimentation . . . . .120 V CA, 60 Hz  
 Consommation . . . . .8 W  
 Sortie nominale. . . . . 12 V CC, 300mA  
 Consommation (sans adaptateur secteur)  
 . . . . .2 W  
 Entrée . . . . .Prise Cinch (RCA)  
 Poids. . . . .0,3 kg  
 Dimensions . . . .166 (L) x 56 (H) x 112 (P) mm

### Enceinte sans fil

Alimentation . . . . .120 V CA, 60 Hz  
 (Modèle pour les États-Unis)  
 Consommation . . . . .57 W  
 Caractéristiques de l'amplificateur  
 Puissance de sortie maximum . .25 W/voie  
 valeur efficace (1 kHz, DHT 10 %, 4 Ω)  
 Haut-parleur  
 . . . . . Membrane conique de 7 cm x 2  
 Poids. . . . .4,2 kg  
 Dimensions . . .420 (L) x 178 (H) x 138 (P) mm

### Accessoires

Émetteur . . . . . 1  
 Enceinte sans fil . . . . . 1  
 Adaptateur secteur. . . . . 1  
 Cordon stéréo à fiches Cinch (RCA). . . . . 1  
 Ce mode d'emploi . . . . . 1  
 Carte de garantie . . . . . 1



### Important

- Les caractéristiques et la présentation peuvent être modifiées, sans avis préalable, dans un souci d'amélioration.

Publication de Pioneer Corporation.  
 Copyright © 2003 Pioneer Corporation.  
 Tous droits réservés.

Should this product require service in the U.S.A. and you wish to locate the nearest Pioneer Authorized Independent Service Company, or if you wish to purchase replacement parts, operating instructions, service manuals, or accessories, please call the number shown below.

8 0 0 - 4 2 1 - 1 4 0 4

Please do not ship your product to Pioneer without first calling the Customer Support Division at the above listed number for assistance.

Pioneer Electronics (USA) Inc.  
Customer Support Division  
P.O. BOX 1760, Long Beach,  
CA 90801-1760, U.S.A.

For warranty information please see the Limited Warranty sheet included with your product.

Should this product require service in Canada, please contact a Pioneer Canadian Authorized Dealer to locate the nearest Pioneer Authorized Service Company in Canada. Alternatively, please contact the Customer Satisfaction Department at the following address:

Pioneer Electronics of Canada, Inc.  
Customer Satisfaction Department  
300 Allstate Parkway, Markham, Ontario L3R OP2  
(905)479-4411  
1(877)283-5901

For warranty information please see the Limited Warranty sheet included with your product.

Si ce produit doit être réparé au Canada, veuillez vous adresser à un distributeur autorisé Pioneer du Canada pour obtenir le nom du Centre de Service Autorisé Pioneer le plus près de chez-vous. Vous pouvez aussi contacter le Service à la clientèle de Pioneer:

Pioneer Électroniques du Canada, Inc.  
Service à la clientèle  
300, Allstate Parkway, Markham, Ontario L3R OP2  
(905)479-4411  
1(877)283-5901

Pour obtenir des renseignements sur la garantie, veuillez vous reporter au feuillet sur la garantie restreinte qui accompagne le produit.

S018\_EF

Published by Pioneer Corporation.  
Copyright © 2003 Pioneer Corporation.  
All rights reserved.

---

## **PIONEER CORPORATION**

4-1, Meguro 1-Chome, Meguro-ku, Tokyo 153-8654, Japan

### **PIONEER ELECTRONICS (USA) INC.**

P.O. BOX 1540, Long Beach, California 90810-1540, U.S.A. TEL: (800) 421-1404

### **PIONEER ELECTRONICS OF CANADA, INC.**

300 Allstate Parkway, Markham, Ontario L3R OP2, Canada TEL: (905) 479-4411

### **PIONEER EUROPE NV**

Haven 1087, Keetberglaan 1, B-9120 Melsele, Belgium TEL: 03/570.05.11

### **PIONEER ELECTRONICS ASIACENTRE PTE. LTD.**

253 Alexandra Road, #04-01, Singapore 159936 TEL: 656-472-1111

### **PIONEER ELECTRONICS AUSTRALIA PTY. LTD.**

178-184 Boundary Road, Braeside, Victoria 3195, Australia, TEL: (03) 9586-6300

### **PIONEER ELECTRONICS DE MEXICO S.A. DE C.V.**

Bldv.Manuel Avila Camacho 138 10 piso Col.Lomas de Chapultepec, Mexico,D.F. 11000 TEL: 55-9178-4270

K002E