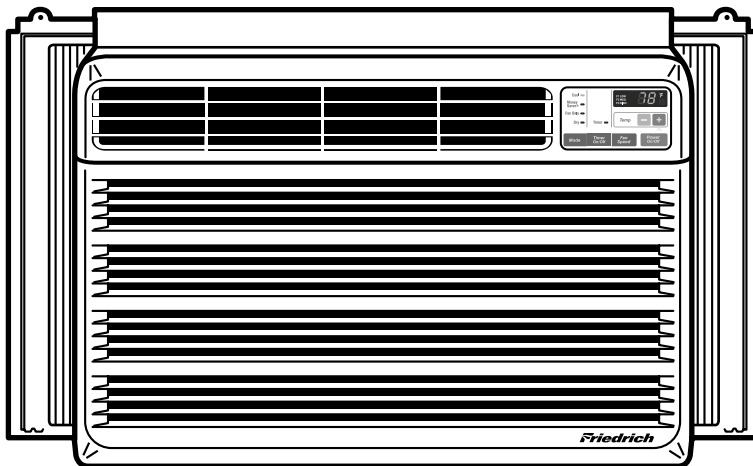




Room Air Conditioner Installation and Operation Manual



CP Line

115 Volts

• CP10

• CP12

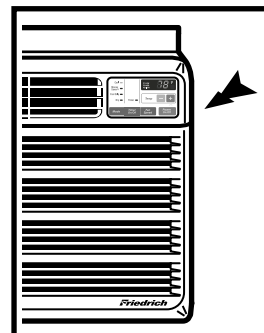
Registering Your Room Air Conditioner

Model information can be found on the name plate located on the side of the unit near the control panel. Please complete and mail the owner registration card furnished with this product or register on-line at www.friedrich.com (USA only). For your future convenience, record the model information here.

MODEL NUMBER

SERIAL NUMBER

PURCHASE DATE





Congratulations! Thank you for choosing Friedrich.

Your Friedrich unit is designed for maximum comfort and quietness.

Table of Contents

Introduction	2
Safety Precautions	3
How to operate your Friedrich	5
Adjusting the Air Flow Direction.....	6
Care and Maintenance	7
Hardware Location	8
Installation Instructions.....	14
Troubleshooting Tips.....	16
Warranty	17

Introduction

Before Operating Your Unit

Make sure the wiring is adequate for your unit.

If you have fuses, they should be of the time delay type. Before you install or relocate this unit, be sure that the amperage rating of the circuit breaker or time delay fuse does not exceed the amp rating listed in figure 1.

DO NOT use an extension cord.

The cord provided will carry the proper amount of electrical power to the unit; an extension cord will not.

Make sure that the receptacle is compatible with the wall plug provided.

This insures proper grounding. If you have a two-prong receptacle you will need to have the circuit replaced by a certified electrician with a grounded circuit that meets all national and local codes and ordinances. You must use the three-prong plug furnished with the air conditioner.


MODEL	CIRCUIT RATING OR TIME DELAY FUSE		PLUG FACE	
	AMP	VOLT	NEMA NO.	
CP10 CP12	15	125	5-15P	

Figure 1

For the Best Cooling Performance and Energy Efficiency

Keep the filter clean

Make sure that your air conditioner is always in top performing condition by cleaning the filter regularly. Instructions for removing and cleaning the filter can be found on page 7.

Provide good airflow

Make sure that the airflow to and from the unit is clear. Your air conditioner puts the air out at the top of the unit, and takes in air at the bottom. Airflow is critical for good operation. It is just as important on the outside of the building that the airflow around the unit exterior is not blocked.

Unit Placement

If your air conditioner can be placed in a window or a wall that is shaded by a tree or another building, the unit will operate even more efficiently. Using drapes or blinds on the sunny side of the dwelling will also add to your unit's efficiency.

Insulation

Good insulation will be a big help in maintaining desirable comfort levels. Doors should have weather stripping. Be sure to caulk around doors and windows.

Safety Precautions

To prevent injury and property damage, follow these instructions.

■ Incorrect operation due to ignoring of instruction can cause harm or damage. The seriousness is classified by the following indications.



WARNING

This symbol indicates the possibility of death or serious injury.



CAUTION

This symbol indicates the possibility of injury or damage to properties only.

■ Meanings of symbols used in this manual are as shown below.



Never Do This



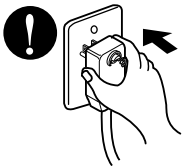
Always Do This



WARNING

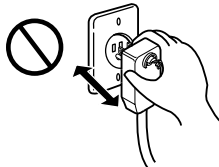
Plug in the power plug properly.

- Otherwise, it will cause electric shock or fire due to heat generation.



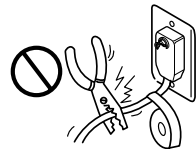
Do not operate or stop the unit by inserting or pulling out the power plug.

- It will cause electric shock or fire due to heat generation.



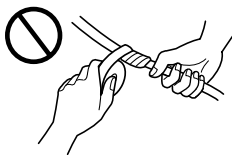
Do not damage or use an unspecified power cord.

- It will cause electric shock or fire.
- If the power cord is damaged, it must be replaced by the manufacturer or a Friedrich-certified service agent.



Do not modify power cord length or share the outlet with other appliances.

- It will cause electric shock or fire due to heat generation.



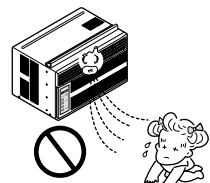
Do not operate with wet hands or in damp environment.

- It will cause electric shock.



Do not direct air flow directly at room occupants.

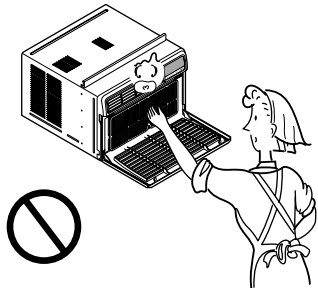
- This could lead to health problems.



CAUTION

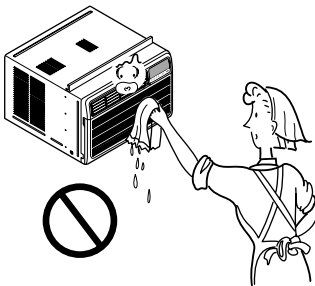
When the air filter is to be removed, do not touch the metal parts of the unit.

- They are sharp and may cause an injury.



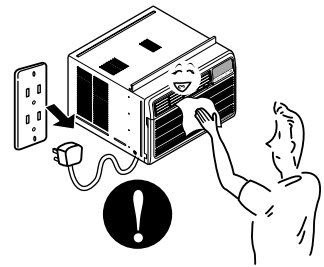
Do not clean the air conditioner with water.

- Water may enter the unit and degrade the insulation. It may cause an electric shock.



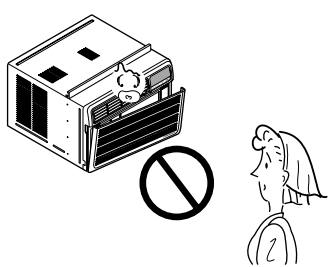
When the unit is to be cleaned, switch the unit off, and unplug it.

- Since the fan rotates at high speed during operation, it may cause an injury.



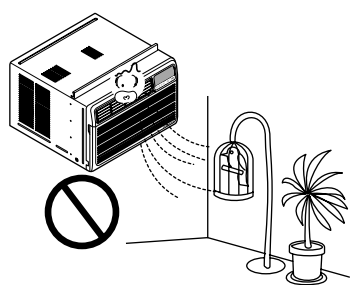
Do not operate the unit without the air filter or when the front intake grille has been removed.

- It could cause dust to accumulate on the heat exchanger.



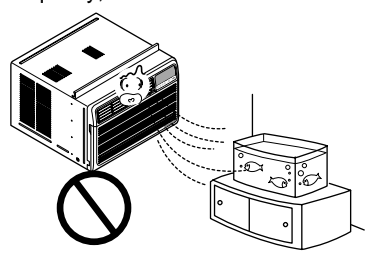
Do not put a pet or house plant where it will be exposed to direct air flow.

- This could injure the pets or plants.



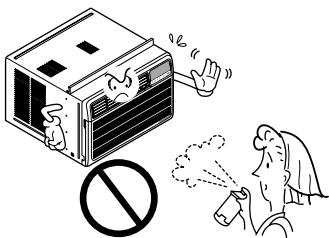
Do not use for special purposes.

- Do not use this air conditioner to preserve precision devices, food, pets, plants, and art objects. It may cause deterioration of quality, etc.



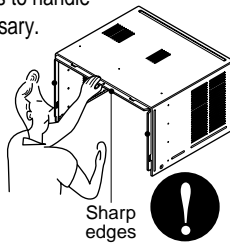
Do not apply an insecticide or flammable spray.

- It may cause a fire or deformation of the cabinet.

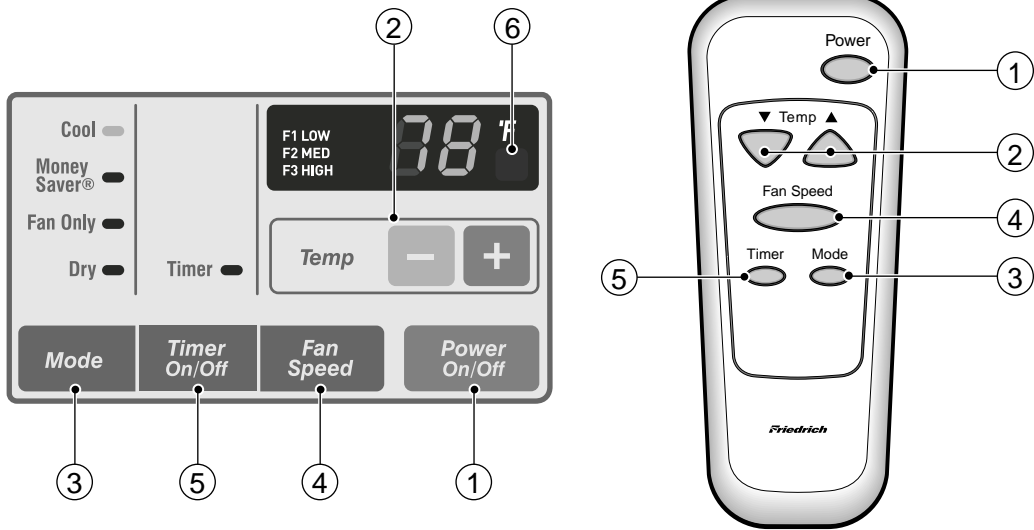


SHARP EDGES!
The edges of the case can be SHARP!

- Use caution when handling the case. Grip it firmly and do not allow it to slip while holding it.
- Use heavy gloves to handle the case if necessary.
- DO NOT allow the case to slide against your skin!



How to operate your Friedrich



Control and Remote Control Operations

1. POWER

Operation begins when this button is pressed and stops when you press the button again.

2. TEMPERATURE CONTROL

The thermostat monitors room temperature to maintain the desired temperature.

The thermostat can be set between 60°F~86°F (16°C~30°C).

The unit takes an average of 30 minutes to adjust the room temperature by 1°F.

3. OPERATION MODE SELECTOR

Select cooling mode to cool the room.

Select Money Saver® mode for energy saving operation.

Select fan mode for basic ventilating fan operation.

Select dry mode for dry operation.

4. FAN SPEED SELECTOR

For increased power while cooling, select a higher fan speed.

3 steps: High; Low; Med

5. ON/OFF TIMER

The timer can be set to start and stop the unit in hourly increments (up to 12 hours).

6. REMOTE CONTROL SENSOR

Inserting the Remote Control Batteries

1. Push out the cover on the back of the remote control with your thumb

2. Pay attention to polarity and insert two new AAA 1.5V batteries.

3. Reattach the cover.



NOTE: Do not use rechargeable batteries. Make sure that both batteries are new.

- In order to prevent discharge, remove the batteries from the remote control if the air conditioner is not going to be used for an extended period of time

Keep the remote control away from extremely hot or humid places.

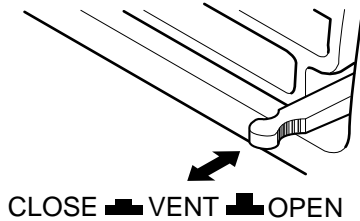
To maintain optimal operation of the remote control, the remote sensor should not be exposed to direct sunlight.

- The remote control can be mounted on a wall using the mountable holder. (Friedrich does not provide this.)

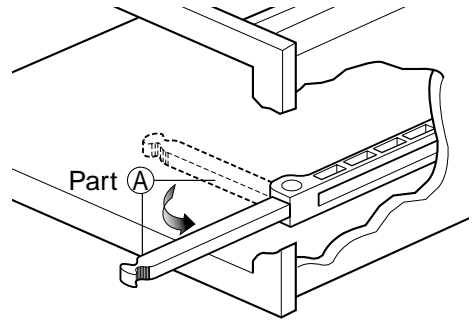
Adjusting the Air Flow Direction

Vent Control

For maximum cooling efficiency, CLOSE the vent. This will allow internal air circulation.
OPEN the vent to discharge stale air.



NOTE : Before using the ventilation feature, position the vent lever by pulling Part A out straight and snapping it into place.

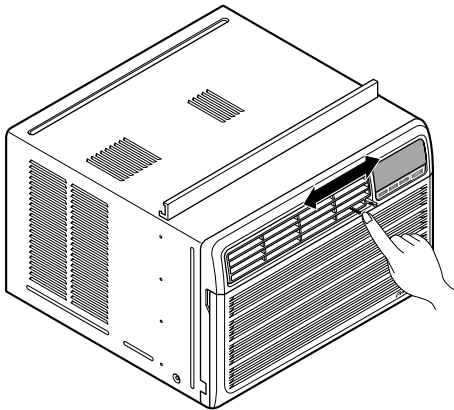


Adjusting the Air Flow Direction

Airflow can be adjusted by changing the direction of the air conditioner's louvers.

- **Adjusting Horizontal Air Flow Direction**

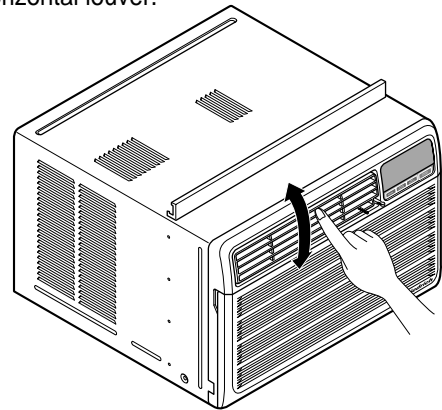
Adjusting the vertical louvers left and right will change horizontal airflow.



Adjusting horizontal air flow

- **Adjusting Vertical Air Flow Direction**

Adjusting the horizontal louver up and down will change vertical airflow. The louver can be adjusted by pressing in at the top or bottom of the horizontal louver.



Adjusting vertical air flow

- **Recommended orientation of louvers**

Adjust louvers to face upwards when cooling to maximize cooling efficiency.

Care and Maintenance

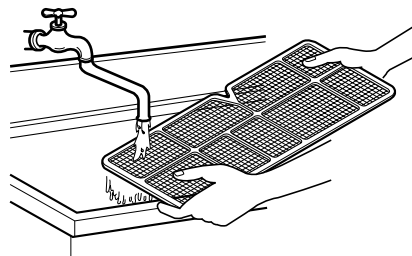
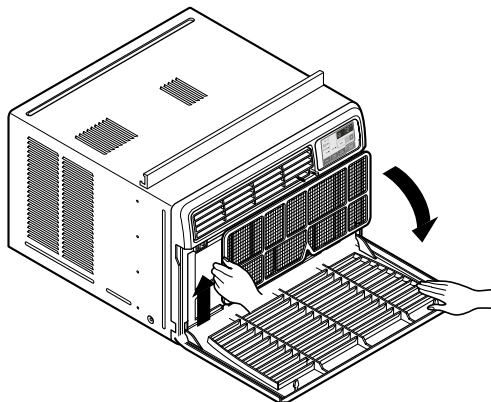
Turn the power off and unplug the power plug before cleaning the air conditioner.

Air Filter

The air filter behind the inlet grille should be checked and cleaned at least once every 2 weeks (or as necessary) to maintain optimal performance of the air conditioner.

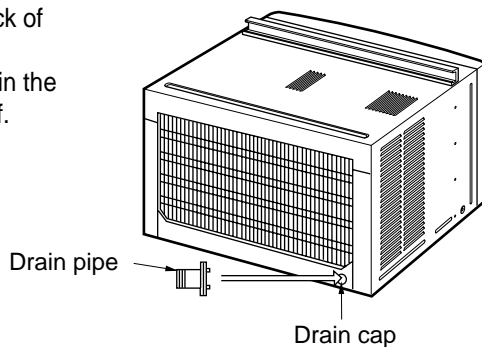
How to remove the air filter

1. The grille may be opened from the top for easy maintenance after installation.
2. Open the inlet grille by pulling out on the exposed door on the top of the unit (based on installation).
3. Pull the tab slightly to release the filter. Pull the filter in the same direction as the opening.
4. Clean the filter with warm, soapy water.
5. Rinse off and gently shake off excess water from the filter. Make sure filter is completely dry before replacing it.



Drainage

The base pan may overflow due to high humidity. To drain the excess water, remove the drain cap from the back of the unit and secure the drainpipe. When pressing the drainpipe into place, apply force in the direction away from the fins to avoid injuring yourself.



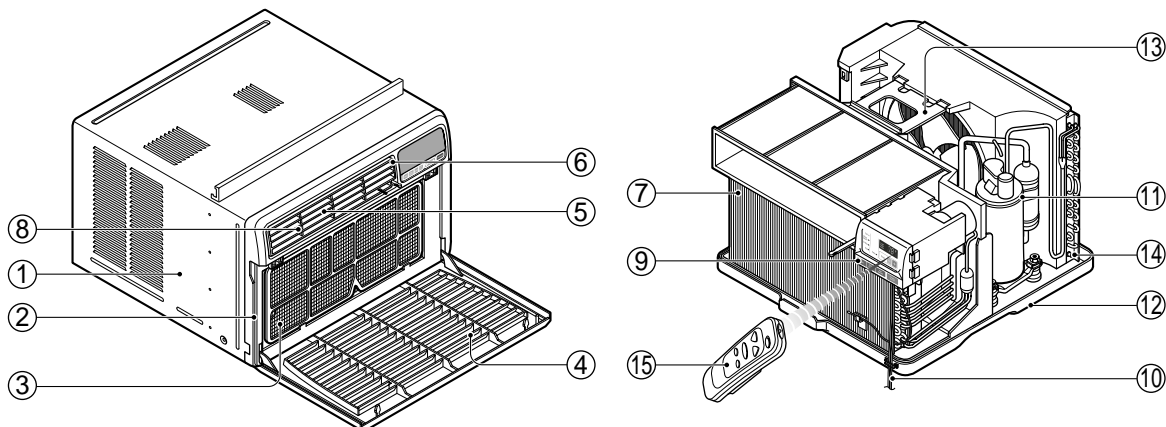
Hardware Location

Product Features



CAUTION

This appliance should be installed in accordance with local and national wiring regulations. This manual acts as a guide to help to explain product features.



- 1. CABINET
- 2. FRONT GRILLE
- 3. AIR FILTER
- 4. AIR INTAKE (INLET GRILLE)
- 5. AIR DISCHARGE
- 6. VERTICAL AIR DEFLECTOR (HORIZONTAL LOUVER)
- 7. EVAPORATOR

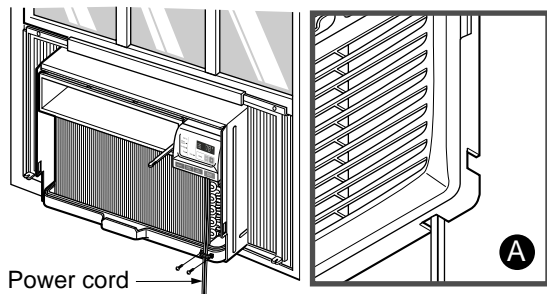
- 8. HORIZONTAL AIR DEFLECTOR (VERTICAL LOUVER)
- 9. CONTROL PANEL
- 10. POWER CORD
- 11. COMPRESSOR
- 12. BASE PAN
- 13. BRACE
- 14. CONDENSER
- 15. REMOTE CONTROL

Positioning the Power cord

You can choose between two methods below according to your window stool shape and preference.

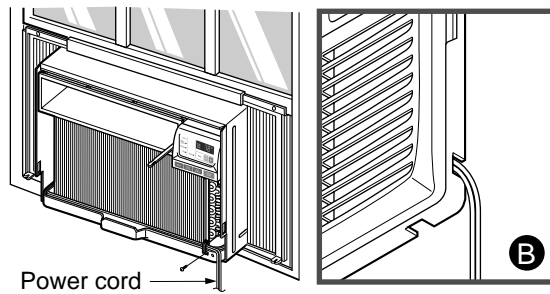
Using slit "A"

- Fasten the stopper using 2 screw holes, and lead out the power cord through slit "A".



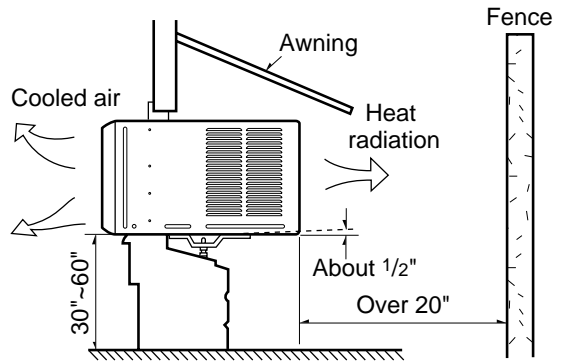
Using slit "B"

- Fasten the stopper using left screw hole, and rotate properly to lead the power cord out through slit "B".



How to Install the Unit

1. To prevent vibration and excess noise, make sure the unit is installed securely and firmly.
2. Install the unit where the sunlight does not shine directly on the unit.
3. The outside of the cabinet must extend outward for at least 12" and there should be no obstacles, such as a fence or wall, within 20" from the back of the cabinet, as it will prevent heat radiation of the condenser.
Restriction of outside air will greatly reduce the cooling efficiency of the air conditioner.



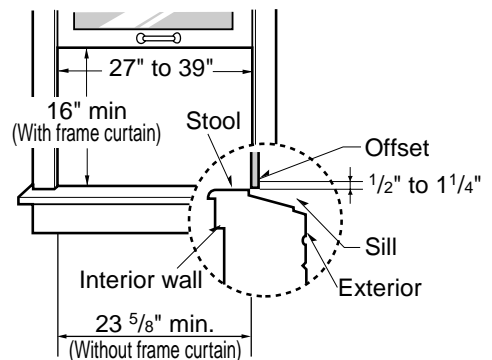
CAUTION: All side louvers of the cabinet must remain exposed and unobstructed to the outside of the structure.

4. Install the unit with a rear, downward slope, so the back is slightly lower than the front (about 1/4" bubble on a level). This will force condensation to flow to the outside.
5. Install the unit with the bottom about 30"~60" above the floor level.

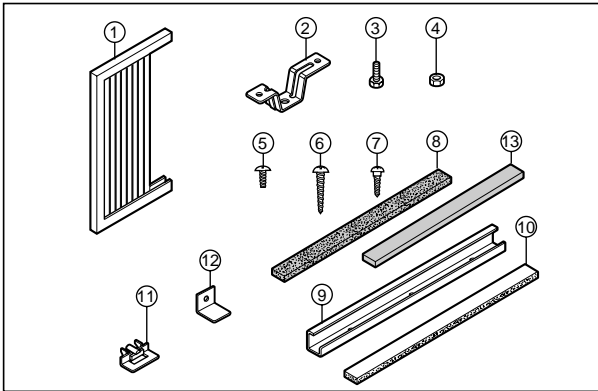
Window Requirements

NOTE: All supporting parts should be secured to firm wood, masonry, or metal.

- This unit is designed for installation in standard double hung windows with actual opening widths from 27" to 39".
- The top and bottom window sash must open sufficiently to allow a clear vertical opening of 16" from the bottom of the upper sash to the window stool.



Installation Kit Contents



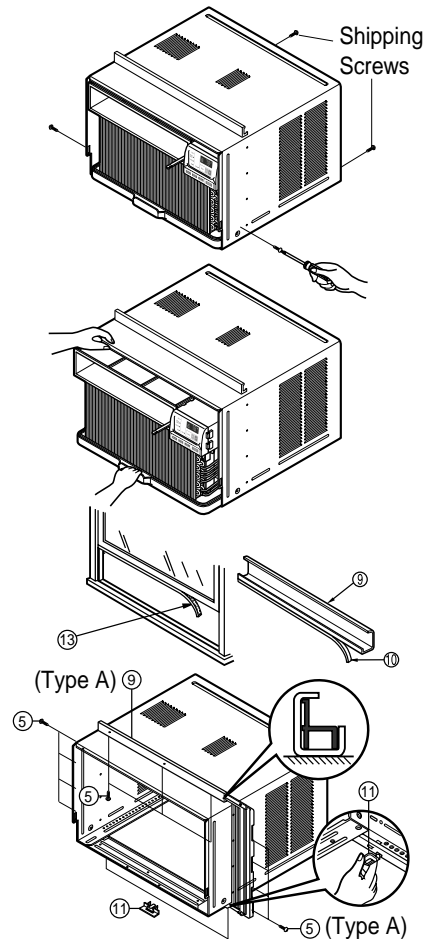
NO.	NAME OF PARTS	Q'TY
1	FRAME CURTAIN	2
2	SILL SUPPORT	2
3	BOLT	2
4	NUT	2
5	SCREW (TYPE A)	16
6	SCREW (TYPE B)	3
7	SCREW (TYPE C)	5
8	FOAM-STRIP	1
9	UPPER GUIDE	1
10	FOAM-PE	1
11	FRAME GUIDE	2
12	WINDOW LOCKING BRACKET	1
13	FOAM-PE	1

Suggested Tool Requirements

SCREWDRIVER(+, -), RULER, KNIFE, HAMMER, PENCIL, LEVEL

PREPARATION OF CHASSIS

1. Remove the screws which fasten the cabinet at both sides and at the back.(4 total)
2. Slide the unit from the cabinet by gripping the base pan handle and pulling forward while bracing the cabinet.
3. Cut the window sash seal to the proper length. Peel off the backing and attach the Foam-PE ⑬ to the underside of the window sash.
4. Remove the backing from the top upper guide Foam-PE ⑩ and attach it to the bottom of the Upper Guide ⑨.
5. Attach the upper guide onto the top of the cabinet with 3 Type A screws ⑤.
6. Insert the Frame Guides ⑪ into the bottom of the cabinet.
7. Insert the Frame Curtain ① into the Upper Guide ⑨ and Frame Guides ⑪.
8. Fasten the curtains to the unit with 4-Type A screws ⑤.



Cabinet Installation

1. Open the window. Mark a line on center of the window stool.

Carefully place the cabinet on the window stool and align the center mark on the bottom front with the center line marked in the window stool.

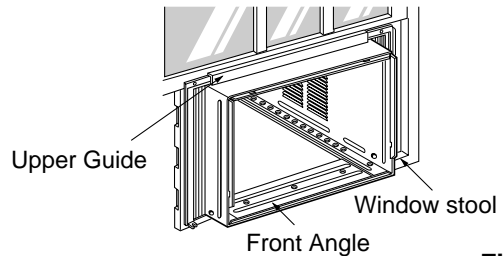


Fig. 1

2. Pull the bottom window sash down behind the Upper Guide until they meets.

NOTE: Do not pull the window sash down so tightly that the movement of Frame Curtain ① is restricted.

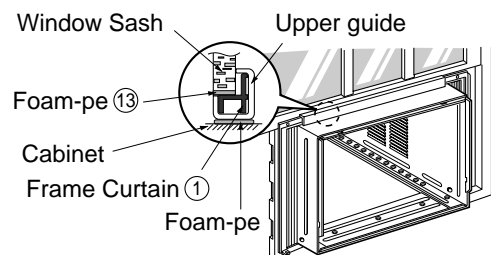


Fig. 2

3. Loosely assemble the Sill Support ② using the parts in Fig. 3.

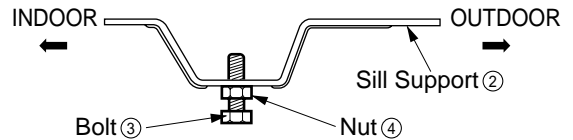


Fig. 3

4. Select the position that will place the Sill Support ② near the outer most point on sill (See Fig. 4)

NOTE: Be careful when you install the cabinet (Frame Guides ⑪ are broken easily).

5. Attach the Sill Support ② to the cabinet track hole in relation to the selected position using 2 -type A ⑤ screws in each support (See Fig. 4).

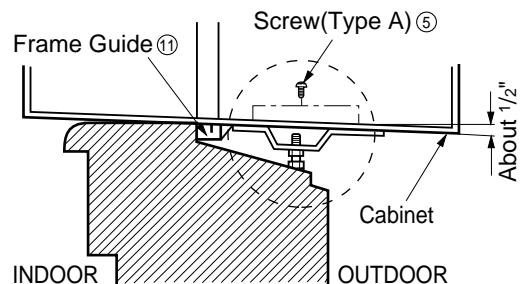
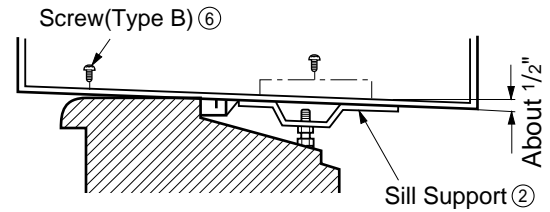


Fig. 4

6. The cabinet should be installed with a very slight tilt (about 1/2") downward toward the outside (See Fig. 5).
Adjust the bolt and the nut of Sill Support ② for balancing the cabinet.



7. Attach the cabinet to the window stool by driving the screws ⑥ [Type B: Length 16mm (5/8 inch) and below.] through the front angle into window stool.
8. Pull each Frame Curtain ① to each window sash track, and repeat step 2.

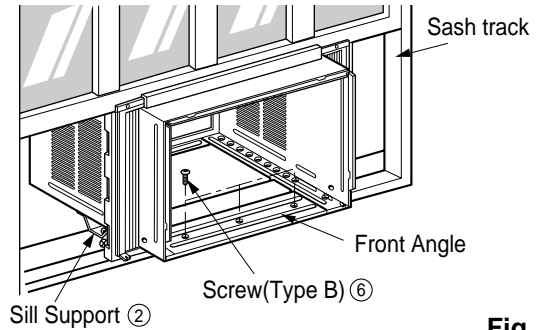


Fig. 5

9. Attach each Frame Curtain ① to the window sash using screws ⑦ (Type C). (See Fig. 6)

CAUTION: Do not drill a hole in the bottom pan. The unit is designed to operate with approximately 1/2" of water in bottom of pan. There is no need to add water if the pan is dry.

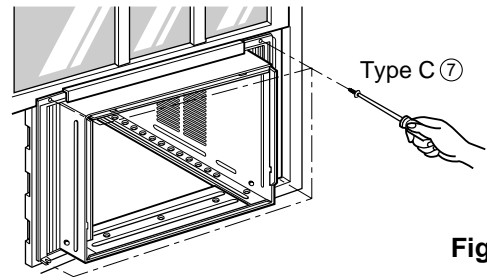


Fig. 6

10. Slide the unit into the cabinet. (See Fig. 7)

CAUTION: For security purpose, reinstall the 2 screws (Type A) at cabinet's side, that were removed in step 1 on page 10.

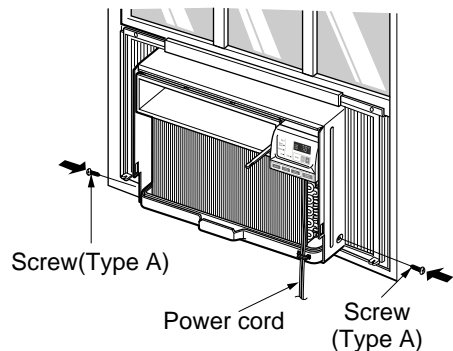


Fig. 7

11. Cut the Foam-Strip ⑧ to the proper length (window width) and insert between the upper window sash and the lower window sash. (See Fig. 8)

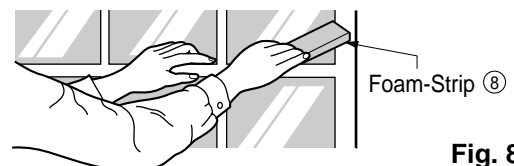


Fig. 8

12. Attach the Window Locking Bracket ⑫ with a Type C screw ⑦. (See Fig. 9)

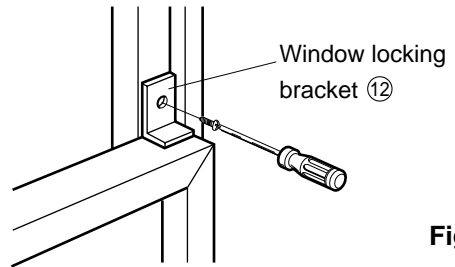


Fig. 9

13. Attach the front grille to the cabinet by inserting the tabs on the grille into the tabs on the front of the cabinet. Push the grille in until it snaps into place. (See Fig. 10)

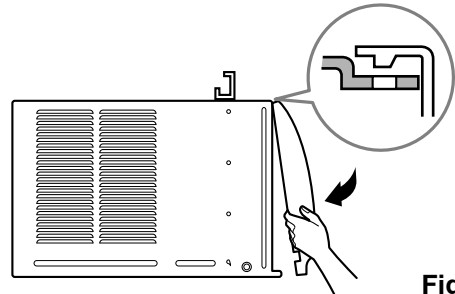


Fig. 10

14. Pull down the inlet grille and secure it with a Type A screw ⑤ through the front grille. (See Fig. 11)
15. **Window installation of room air conditioner is now completed. See ELECTRICAL DATA for inserting power cord to electrical outlet.**

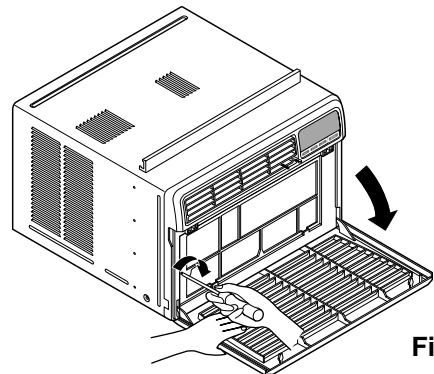


Fig. 11

Installation Instructions

Read these instructions completely and carefully.

Tools You Will Need

- Phillips-head screwdriver
- Flat-blade screwdriver
- Ruler or tape measure
- Scissors or knife
- Pencil
- Level
- Hammer

Before You Begin

NOTE TO INSTALLER: Leave these instructions with the air conditioner after installation is completed.

NOTE TO CONSUMER: Keep this Installation and Operation Manual for future use.

Important notes:

It is recommended that proper attire be worn during installation.

For personal safety, this air conditioner must be properly grounded.

It is important to have the wall outlet and circuit checked by a qualified electrician if there is any doubt as to whether a proper ground exists.

CAUTION:

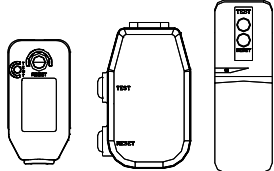
Do not under any circumstances, cut or remove the third (ground) prong from the power cord.


Do not change the plug on the power cord of this air conditioner.

Aluminum house wiring may present special problems—consult a qualified electrician.

Electrical safety

Electrical Data

115V~	<p>Power cord may include a current interrupter device. A test and reset button is provided on the plug case. The device should be tested on a periodic basis by first pressing the TEST button and then the RESET button. If the TEST button does not trip or if the RESET button will not stay engaged, discontinue use of the air conditioner and contact a qualified service technician.</p>
	

Use Wall Receptacle	Power Supply
 <p>Standard 125V, 3-wire grounding receptacle rated 15A, 125V AC</p>	<p>Use 15 AMP. time delay fuse or 15 AMP. circuit breaker.</p>

Use of extension cords

Because of potential safety hazards, we strongly discourage the use of an extension cord. However, if you wish to use an extension cord, use a CSA certified/UL-listed 3-wire (grounding) extension cord, rated 15A, 125V. All wiring should be made in accordance with local electrical codes and regulations.

NOTICE

Aluminum house wiring may pose special problems. Consult a qualified electrician.

ELECTRICAL SAFETY

IMPORTANT GROUNDING INSTRUCTIONS

Air conditioner has a three-prong grounding plug on its power supply cord, which must be plugged into properly grounded three-prong wall receptacle for your protection against possible shock hazard.

Troubleshooting Tips

Troubleshooting Tips save time and money! Review the chart below first and you may not need to call for service.

Normal Operation

- You may hear a pinging noise caused by water being picked up and thrown against the condenser on rainy days or when the humidity is high. This design feature helps remove moisture and improve efficiency.
- You may hear the thermostat click when the compressor cycles on and off.
- Water will collect in the base pan during high humidity or on rainy days. The water may overflow and drip from the outdoor side of the unit.
- The fan may run even when the compressor does not.
- Your air conditioner is designed to cool in warm weather when the outside temperature is above 60°F(16°C) and below 115°F(46°C).

Abnormal Operation

Problem	Possible Causes	What To Do
Air conditioner does not start	■ The air conditioner is unplugged.	• Make sure the air conditioner plug is pushed completely into the outlet.
	■ The fuse is blown/circuit breaker is tripped.	• Check the house fuse/circuit breaker box and replace the fuse or reset the breaker.
	■ Power failure.	• If power failure occurs, turn the mode control to Off. When power is restored, wait 3 minutes to restart the air conditioner to prevent tripping of the compressor overload.
	■ The current interrupter device is tripped.	• Press the RESET button located on the power cord plug. If the RESET button will not stay engaged, discontinue use of the air conditioner and contact a qualified service technician.
Air conditioner does not cool as it should	■ Airflow is restricted.	• Make sure there are no curtains, blinds, or furniture blocking the front of the air conditioner.
	■ The THERMOSTAT may not be set high enough.	• Push temperature setting button to coolest temperature setting of 60°F.
	■ The air filter is dirty.	• Clean the filter at least every 2 weeks. See the operating instructions section.
	■ The room may have been hot.	• When the air conditioner is first turned on you need to allow time for the room to cool down.
	■ Cold air is escaping.	• Check for open furnace floor registers and cold air returns. • Set the air conditioner's vent to the closed position.
Air conditioner freezing up	■ Cooling coils have iced up.	• See Air Conditioner Freezing Up below.
	■ Ice blocks the air flow and stops the air conditioner from cooling the room.	• Set the mode control on high fan until the ice thaws out.



FRIEDRICH AIR CONDITIONING CO.
Post Office Box 1540 • San Antonio, Texas 78295-1540
(210) 357-4400 • FAX (210) 357-4490

ROOM AIR CONDITIONERS LIMITED WARRANTY

FIRST YEAR

ANY PART: If any part supplied by FRIEDRICH fails because of a defect in workmanship or material within twelve months from date of original purchase, FRIEDRICH will repair the product at no charge, provided room air conditioner is reasonably accessible for service. Any additional labor cost for removing inaccessible units and/or charges for mileage related to travel by a Service Agency that exceeds 25 miles one way will be the responsibility of the owner. This remedy is expressly agreed to be the exclusive remedy within twelve months from the date of the original purchase.

SECOND THROUGH FIFTH YEAR

SEALED REFRIGERANT SYSTEM: If the sealed refrigeration system (defined for this purpose as the compressor, condenser coil, evaporator coil, reversing valve, check valve, capillary, filter drier, and all interconnecting tubing) supplied by FRIEDRICH in your Room Air Conditioner fails because of a defect in workmanship or material within sixty months from date of purchase, FRIEDRICH will pay a labor allowance and parts necessary to repair the Sealed Refrigeration System; **PROVIDED FRIEDRICH** will not pay the cost of diagnosis of the problem, removal, freight charges and transportation of the air conditioner to and from the Service Agency, and the reinstallation charges associated with repair of the Sealed Refrigeration System. All such cost will be the sole responsibility of the owner. This remedy is expressly agreed to be the exclusive remedy within sixty months from the date of the original purchase.

APPLICABILITY AND LIMITATIONS: This warranty is applicable only to units retained within the Fifty States of the U.S.A., District of Columbia, and Canada. This warranty is not applicable to:

1. Air filters or fuses.
2. Products on which the model and serial numbers have been removed.
3. Products which have defects or damage which results from improper installation, wiring, electrical current characteristics, or maintenance; or caused by accident, misuse or abuse, fire, flood, alterations and/or misapplication of the product and/or units installed in a corrosive atmosphere, default or delay in performance caused by war, government restrictions or restraints, strikes, material shortages beyond the control of FRIEDRICH, or acts of God.

OBTAINING WARRANTY PERFORMANCE: Service will be provided by the **FRIEDRICH Authorized Dealer or Service Organization** in your area. They are listed in the Yellow Pages. If assistance is required in obtaining warranty performance, write to: Room Air Conditioner Service Manager, Friedrich Air Conditioning Co., P.O. Box 1540, San Antonio, TX 78295-1540.

LIMITATIONS: THIS WARRANTY IS GIVEN IN LIEU OF ALL OTHER WARRANTIES. Anything in the warranty notwithstanding, ANY IMPLIED WARRANTIES OF FITNESS FOR PARTICULAR PURPOSE AND/OR MERCHANTABILITY SHALL BE LIMITED TO THE DURATION OF THIS EXPRESS WARRANTY. MANUFACTURER EXPRESSLY DISCLAIMS AND EXCLUDES ANY LIABILITY FOR CONSEQUENTIAL OR INCIDENTAL DAMAGE FOR BREACH OF ANY EXPRESSED OR IMPLIED WARRANTY.

NOTE: Some states do not allow limitations on how long an implied warranty lasts, or do not allow the limitation or exclusion of consequential or incidental damages, so the foregoing exclusions and limitations may not apply to you.

OTHER: This warranty gives you specific legal rights, and you may also have other rights which vary from state to state.

PROOF OF PURCHASE: Owner must provide proof of purchase in order to receive any warranty related services.

All service calls for explaining the operation of this product will be the sole responsibility of the consumer.

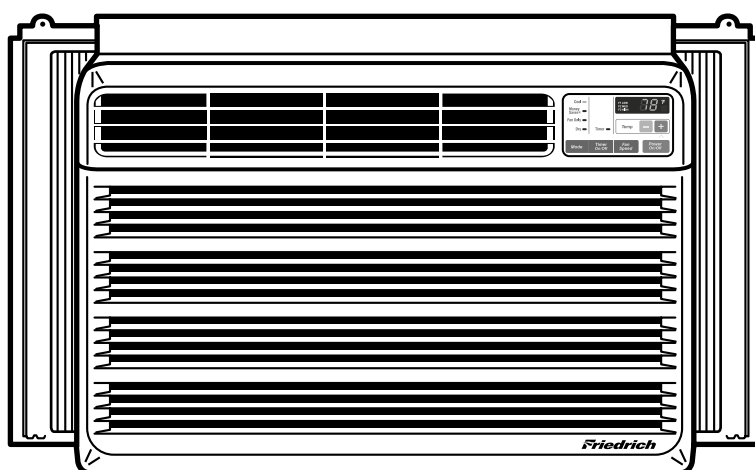
All warranty service must be provided by an **Authorized FRIEDRICH Service Agency**, unless authorized by FRIEDRICH prior to repairs being made.

In case of questions regarding the provisions of this warranty, the English version will govern.

Revised 08/01

Friedrich®

Manuel d'utilisation et d'installation de votre climatiseur de pièce



CP Line

115 Volts

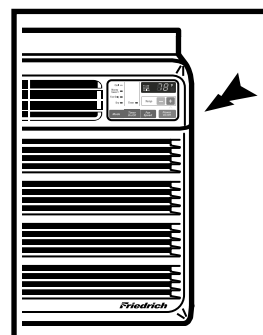
• CP10

• CP12

FRANÇAIS

Enregistrement de votre climatiseur de pièce

Vous trouverez l'information concernant l'appareil sur la plaque signalétique située sur le côté de l'appareil, près du panneau de commande. Veuillez remplir et poster la carte d'enregistrement fournie avec l'appareil ou enregistrez-vous en ligne à www.friedrich.com (USA uniquement). Veuillez consigner l'information à l'emplacement ci-dessous pour référence ultérieure.



NUMÉRO DU MODÈLE

NUMÉRO DE SÉRIE

DATE D'ACHAT

Félicitations!

**Merci d'avoir choisi Friedrich.
Votre unité Friedrich est conçue pour vous
offrir le confort et le silence maximums.**

Table des matières

Introduction	2
Mesures de sécurité.....	3
Fonctionnement de la télécommande	5
Réglage de l'orientation du débit d'air	6
Soins et entretien	7
Installation du matériel	8
Guide d'installation	14
Problèmes fréquents et solutions	16
Garantie.....	17

Introduction

Avant d'utiliser votre appareil

Assurez-vous que votre câblage électrique est conforme aux normes de fonctionnement de l'appareil.

Si votre système électrique comporte des fusibles, veillez qu'ils soient de type temporisé. Avant d'installer ou de déplacer l'appareil, veillez que l'intensité de courant du disjoncteur ou du fusible temporisé n'excède pas l'intensité de courant spécifiée à la figure 1.

N'UTILISEZ JAMAIS un fil de rallonge.

Contrairement au cordon d'alimentation fourni avec l'appareil, le fil de rallonge n'acheminera pas le courant d'alimentation approprié au bon fonctionnement de l'appareil.

Veillez à ce que la prise murale soit compatible avec la fiche du cordon d'alimentation de l'appareil.

Cela assure la mise à la terre appropriée. Si vous possédez un réceptacle à deux broches, vous devrez le remplacer par un réceptacle conforme à tous les codes et règlements nationaux ou municipaux. Vous devez utiliser la fiche à trois broches fournie avec votre climatiseur.


MODÈLE	VALEUR NOMINALE OU TEMPORISATION DU CIRCUIT FUSIBLE		TYPE DE FICHE	
	AMP	VOLT	NO, NEMA (National Electrical Manufacturers Association)	
CP10 CP12	15	125	5-15P	

Figure 1

Pour obtenir le meilleur rendement énergétique et de refroidissement Maintenez le filtre propre

Afin de maintenir le rendement de votre climatiseur à son meilleur niveau, nettoyez régulièrement le filtre. Reportez-vous à la page 7 pour les instructions de dépose et de nettoyage du filtre.

Veillez à la présence d'une circulation d'air appropriée.

Assurez-vous que l'air circule librement vers et en provenance de l'appareil. Votre climatiseur aspire l'air à sa surface inférieure et l'évacue à sa surface supérieure. La circulation d'air est un facteur important au bon fonctionnement de l'appareil. La libre circulation de l'air est également importante pour la portion de l'appareil située à l'extérieur de l'immeuble.

Emplacement de l'appareil

Votre climatiseur fonctionnera plus efficacement si vous l'installez dans une fenêtre ou dans un mur situé à l'ombre d'un arbre ou d'un autre immeuble. L'utilisation de rideaux ou stores du côté ensoleillé de l'immeuble améliorera également le rendement de l'appareil.

Isolation

Une bonne isolation permettra de maintenir le niveau de confort souhaité. Les portes devraient comporter un calfeutrage adéquat. Veillez à bien calfeutrer le périmètre des portes et fenêtres.

Mesures de Sécurité

Pour éviter des accidents corporels ou des dommages matériels, suivez ces instructions.

- Un mauvais fonctionnement dû à l'ignorance de ces instructions peut provoquer des préjudices corporels ou des dommages.



AVERTISSEMENT Ce symbole signale un risque de blessure grave, voire mortelle.



ATTENTION

Ce symbole signale un risque limité aux dommages matériels.

- Les significations respectives des symboles utilisés dans ce manuel sont indiquées ci-dessous.



Ne faites jamais cela



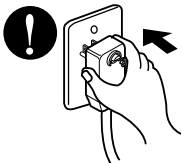
Faites toujours cela



AVERTISSEMENT

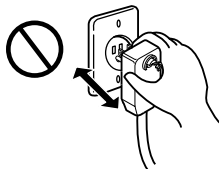
Veillez à brancher correctement votre appareil

- Tout mauvais branchement peut entraîner une surchauffe de votre appareil et causer électrocution ou incendie.



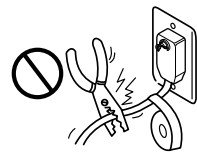
Veillez ne pas mettre en marche ou éteindre votre appareil en branchant ou débranchant votre appareil

- Ceci provoquera une surchauffe et un risque d'électrocution ou d'incendie.



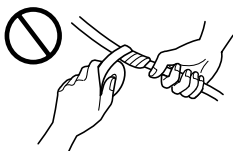
Evitez d'endommager le cordon d'alimentation électrique ou d'en utiliser un non-agéé

- Ceci pourrait causer électrocution ou incendie.



Ne modifiez pas la longueur du cordon d'alimentation et ne branchez pas votre climatiseur en commun avec d'autres appareils sur la même prise

- Ceci pourrait provoquer un électrique ou un incendie, dû à une surchauffe.



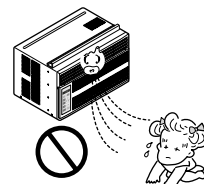
Ne faites pas fonctionner l'appareil les mains mouillées.

- Il y a risque d'électrocution.



Ne dirigez pas directement le flux d'air sur les occupants de la pièce.

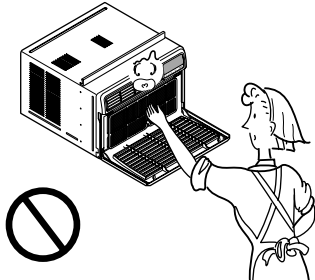
- Ceci pourrait mener au problème de santé.



ATTENTION

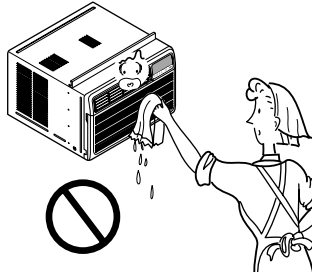
Lorsque le filtre à air doit être retiré, ne pas toucher les parties métalliques de l'appareil.

- Vous risquez de vous blesser.



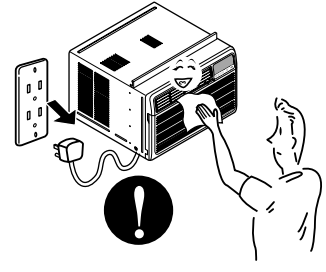
Ne pas nettoyer le climatiseur avec de l'eau.

- L'eau peut s'infiltrer dans l'appareil et affecter l'isolement. Cela peut également provoquer un choc électrique.



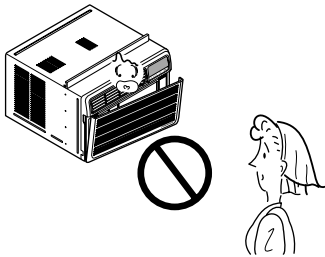
Quand l'unité devrait être nettoyée, change l'unité de, et le débrancher.

- Le ventilateur de refroidissement tournant à grande vitesse dans l'appareil, cela peut provoquer un accident.



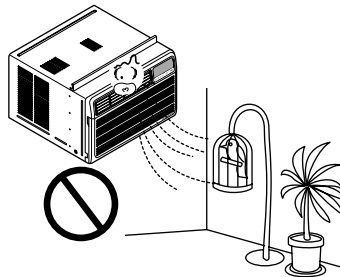
Ne pas opérer l'unité sans le filtre à air ou quand le grillage frontal a été enlevé.

- De la poussière pourrait s'accumuler sur l'échangeur thermique.



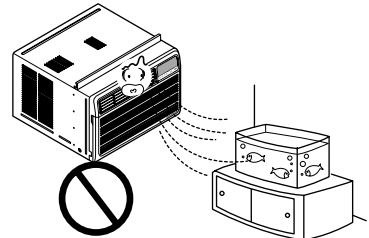
Ne pas placer une plante d'intérieur ou un animal domestique près de l'appareil en risquant de l'exposer directement à l'air froid.

- L'animal comme la plante peuvent en souffrir.



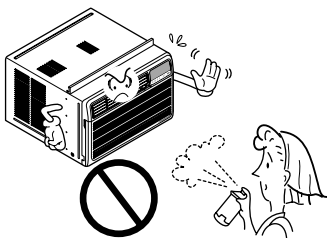
Ne pas se servir de l'appareil à des fins spéciales.

- Le climatiseur ne doit pas être utilisé pour protéger certains appareils de précision, des aliments, des animaux, des plantes et des objets d'art. La qualité risque de en souffrir.



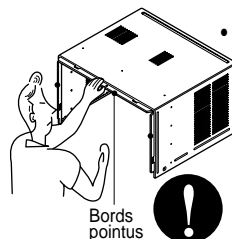
Ne pas actionner les dispositifs de commande des mains mouillées.

- Il y a risque de choc électrique.



Ne pas utiliser d'insecticide à proximité de l'appareil ni de produits inflammables.

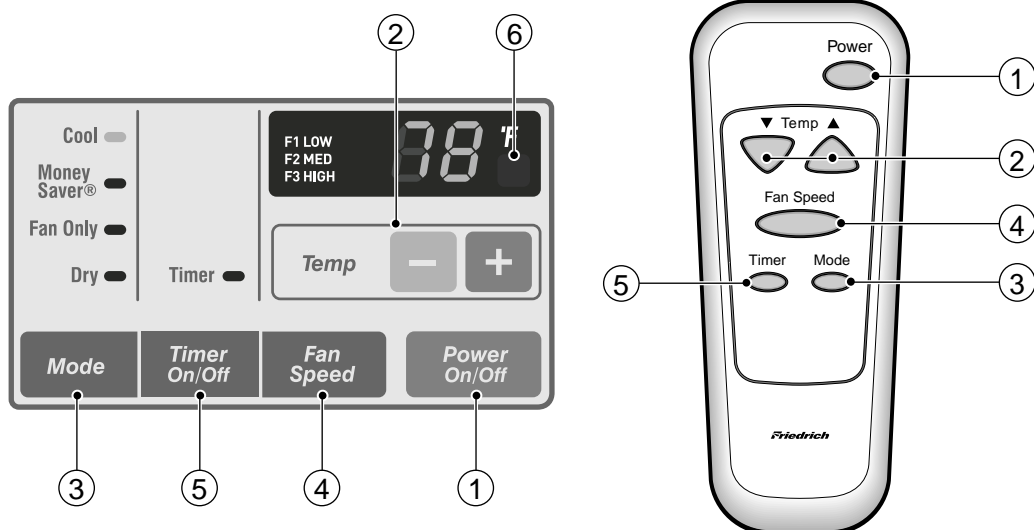
- L'appareil risque de prendre feu ou le coffret risque d'être déformé.



BORDS POINTUS!
Les bords du cas peuvent être pointus!

- Faites attention en manipulant le boîtier. Saisissez le boîtier fermement et ne le laissez pas glisser tout en le tenant.
- Employez les gants lourds pour manipuler le boîtier au besoin.
- Ne laissez pas le boîtier glisser contre votre peau!

Fonctionnement de la télécommande



Fonctionnement de la télécommande

1. POWER

Appuyez sur cette touche pour activer l'appareil et appuyez de nouveau pour le désactiver.

2. CONTRÔLE DE TEMPÉRATURE

Le thermostat surveille la température de la pièce afin d'y maintenir la température souhaitée. Vous pouvez régler le thermostat entre 60°F~86°F (16°C~30°C).

Cet appareil ne requiert qu'environ 30 minutes pour changer la température de la pièce de 1°F.

3. SÉLECTEUR DE MODE DE FONCTIONNEMENT

Rafraîchissez la pièce à l'aide du mode de refroidissement. Pour le fonctionnement en mode d'économie énergétique, sélectionnez le mode économiseur d'énergie.

Pour le fonctionnement normal du ventilateur, sélectionnez le mode ventilateur.

Pour la déshumidification, sélectionnez le mode sans humidité.

4. SÉLECTEUR DE RÉGIME DU VENTILATEUR

Pour un refroidissement accru, réglez le ventilateur à un régime supérieur. 3 niveaux : High; Low; Med

5. MINUTERIE ACTIVATION/DÉSACTIVATION

La minuterie peut être réglée pour l'activation/désactivation de l'appareil à intervalles de une heure (jusqu'à 12 heures).

6. CAPTEUR DE SIGNAL DE TÉLÉCOMMANDE

Remplacement des piles de la télécommande

1. Retirez le couvercle situé à l'arrière de la télécommande avec votre pouce.
2. Notez la polarité des piles et insérez deux piles AAA 1,5V neuves.
3. Remplacez le couvercle.



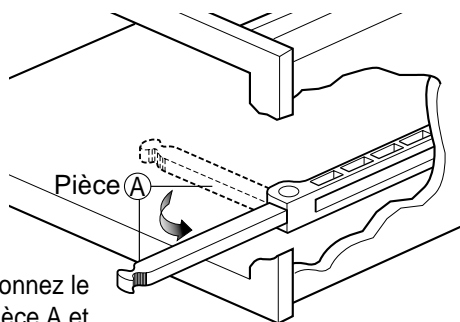
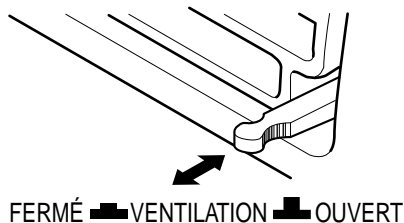
NOTE : N'utilisez pas de piles rechargeables. Remplacez les deux piles à la fois.

- Si vous ne prévoyez pas utiliser le climatiseur pour une longue période de temps, retirez les piles de la télécommande. Assurez-vous de remettre la télécommande à l'écart des endroits excessivement chauds ou humides. Pour vous assurer du meilleur rendement possible de votre télécommande, protégez le capteur de télécommande des rayons directs du soleil.
- Votre télécommande peut être montée au mur à l'aide du dispositif spécial de support.

Réglage de l'orientation du débit d'air

Commande de l'orifice de ventilation

Pour une efficacité maximum du refroidissement, fermez l'ORIFICE DE VENTILATION. Ceci activera la circulation de l'air de la pièce. OUVREZ l'orifice de ventilation afin d'évacuer l'air vicié.



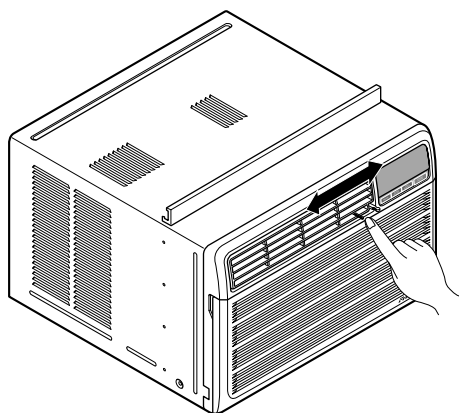
NOTE : Avant d'utiliser le dispositif de ventilation, positionnez le levier de commande en tirant tout droit sur la pièce A et en la cliquant en place.

Réglage de l'orientation du débit d'air

Vous pouvez régler le débit d'air en changeant l'orientation des volets du climatiseur.

• Réglage de l'orientation horizontale du débit d'air

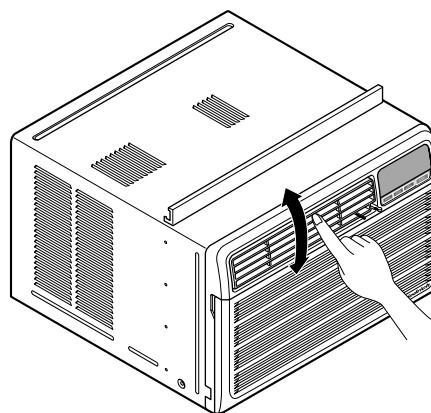
Le réglage des volets verticaux vers la gauche et la droite changera l'orientation du débit d'air horizontal.



Réglage du débit d'air horizontal

• Réglage de l'orientation verticale du débit d'air

Quand vous réglez le louvre horizontal vers le haut et vers le bas, vous changez le flux d'air vertical. Le louvre peut être réglé en appuyant sur le sommet ou le bas du louvre horizontal.



Réglage du débit d'air vertical

• Orientation recommandée des volets

En mode refroidissement et afin d'en améliorer le rendement, orientez les volets vers le haut.

Soins et entretien

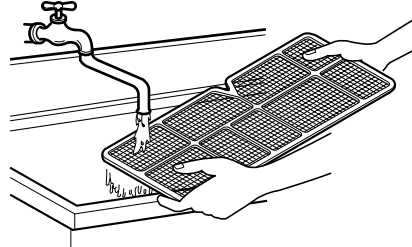
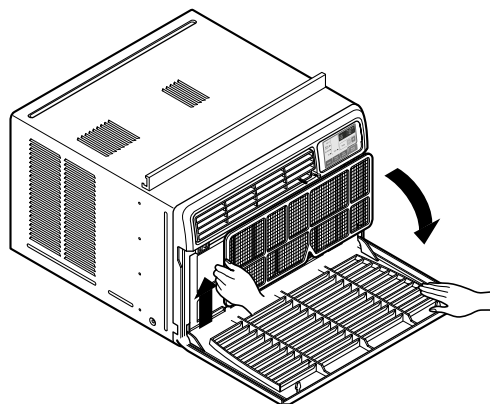
Avant de nettoyer le climatiseur, éteignez-le et débranchez la fiche d'alimentation.

Filtre à air

Afin de maintenir l'efficacité du climatiseur à son meilleur niveau, vous devriez nettoyer le filtre à air, situé en arrière de la grille de prise d'air, au moins à toutes les deux semaines (ou au besoin).

Comment retirer le filtre à air

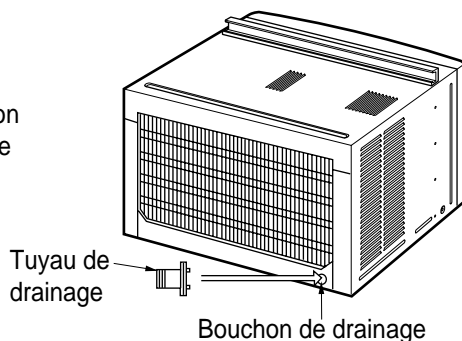
1. Dans le but de faciliter l'entretien, la grille s'ouvre par le haut.
2. Ouvrez la grille de prise d'air en retirant la porte exposée sur la partie supérieure de l'appareil (en fonction de l'installation).
3. Libérez le filtre à air en tirant légèrement sur la languette. Tirez le filtre dans la direction de l'ouverture.
4. Nettoyez le filtre à air dans de l'eau tiède savonneuse. La température de l'eau doit être inférieure.
5. Rincez et essorez délicatement le filtre à air. Vérifiez que le filtre soit complètement séché avant de le remettre en place.



Drainage

Le réceptacle d'eau peut déborder selon le taux d'humidité. Pour évacuer l'excédent d'eau, retirez le bouchon de drainage situé à l'arrière de l'appareil et installez le tuyau de drainage.

En installant le tuyau de drainage, appliquez la pression dans le sens opposé des ailettes de refroidissement de manière à ne pas vous blesser.



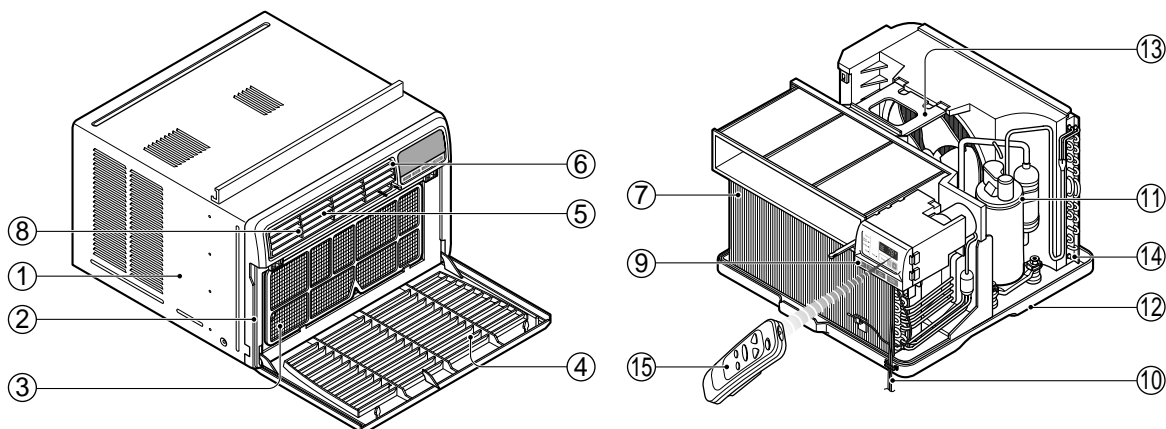
Installation du matériel

Caractéristiques particulières de l'appareil



ATTENTION

Cet appareil doit être installé en fonction des normes électriques locales, régionales et nationales. L'illustration suivante sert à situer les différents éléments de l'appareil.



1. BOÎTIER
2. GRILLE AVANT
3. FILTRE À AIR
4. PRISE D'AIRAIR (GRILLE DE PRISE D'AIR)
5. RETOUR D'AIR
6. DÉFLECTEUR D'AIR VERTICAL (VOLET HORIZONTAL).
7. ÉVAPORATEUR

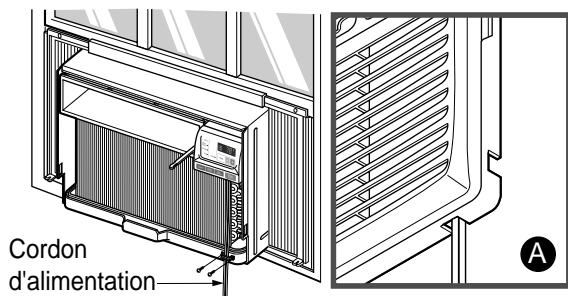
8. DÉFLECTEUR D'AIR HORIZONTAL (VOLET VERTICAL)
9. PANNEAU DE COMMANDE
10. CORDON D'ALIMENTATION
11. COMPRESSEUR
12. RÉCEPTACLE D'EAU
13. ÉQUERRE DE RENFORT
14. CONDENSEUR
15. TÉLÉCOMMANDE

Positionnement du cordon d'alimentation

Vous pouvez choisir entre deux méthodes ci-dessous selon votre forme et préférence de selles de fenêtre.

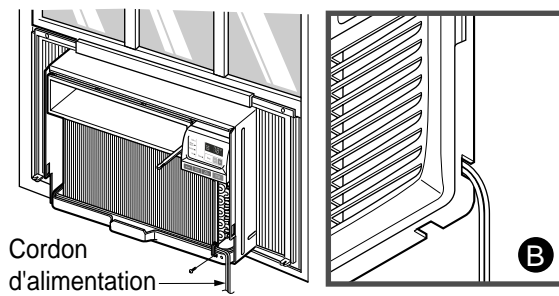
Utilisant la fente "A"

- Attachez le taquet en utilisant 2 trous de vis, et sortez le cordon d'alimentation de la fente "A".



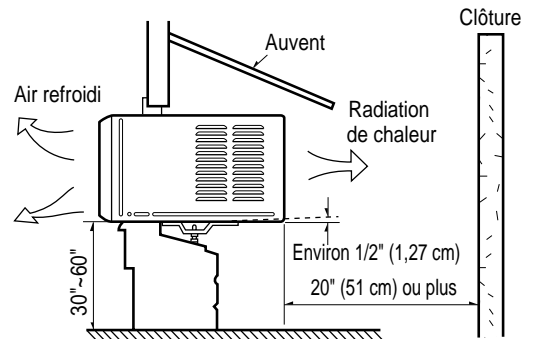
Utilisant la fente "B"

- Attachez le taquet en utilisant le trou gauche de vis, et tournez correctement pour sortir le cordon d'alimentation de la fente "B".



Installation de l'appareil

1. Installez l'appareil solidement et sécuritairement de manière à prévenir la présence de vibrations et bruits.
2. Installez l'appareil de manière à ne pas l'exposer directement aux rayons du soleil.
3. Le boîtier doit sortir d'au moins 12" à l'extérieur et aucun obstacle du genre clôture ou mur doit se situer à moins de 20" de l'arrière du boîtier car cela nuira à la radiation de chaleur du condenseur. La capacité de refroidissement du climatiseur sera sérieusement affectée par une restriction d'alimentation d'air extérieur.



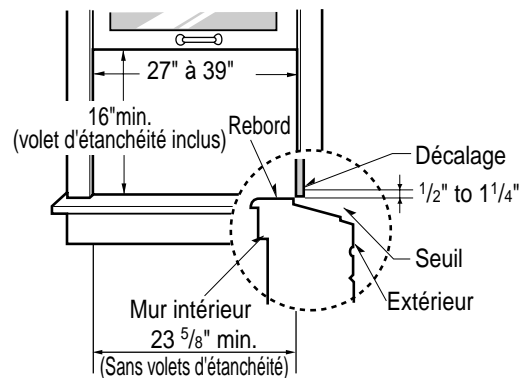
MISE EN GARDE : Attention : tous les louvres latéraux du boîtier doivent restés ouverts et non bouchés vers l'extérieur de la structure.

4. Installez l'unité avec une inclinaison arrière vers le bas pour que l'arrière soit légèrement plus bas que l'avant d'environ.
Cela force la condensation à couler vers l'extérieur.
5. Installez l'appareil de manière à ce que sa surface inférieure se situe entre 30" et 60" (76 et 152 cm) au-dessus du niveau du plancher.

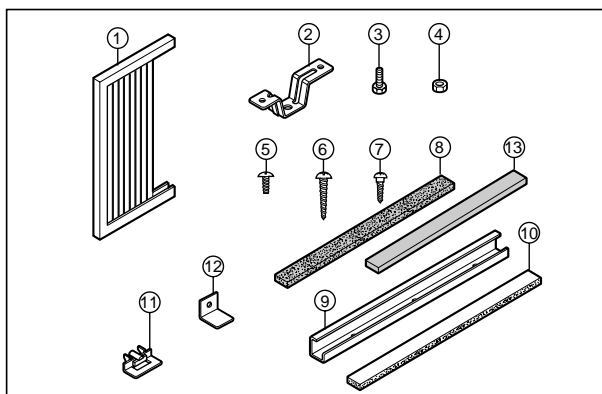
Dimensions de fenêtre minimales

NOTE : Tous les éléments d'installation doivent être fixés à du bois, de la maçonnerie ou du métal sain et solide.

- Cet appareil est conçu pour installation dans des fenêtres à guillotine normales de largeur variant entre 27" et 39".
- Les châssis supérieur et inférieur de la fenêtre doivent offrir une ouverture verticale d'au moins 16" entre le bas du châssis supérieur et le rebord de la fenêtre.



Contenu du nécessaire d'installation



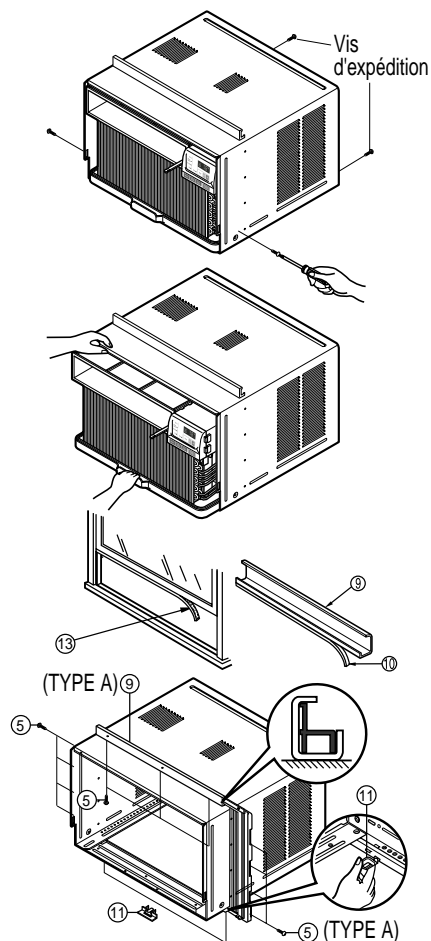
NO.	NOM DES PIÈCES	QTÉ
1	VOLET D'ÉTANCHÉITÉ	2
2	SUPPORT DE SEUIL	2
3	BOULON	2
4	ÉCROU	2
5	VIS (TYPE A)	16
6	VIS (TYPE B)	3
7	VIS (TYPE C)	5
8	BANDE EN MOUSSE	1
9	RAIL DE GUIDAGE SUPÉRIEUR	1
10	JOINT D'ÉTANCHÉITÉ EN MOUSSE	1
11	DISPOSITIF DE GUIDAGE DU CADRE	2
12	ÉTRIER DE VERROUILLAGE DE FENÊTRE	1
13	JOINT D'ÉTANCHÉITÉ EN MOUSSE	1

Outils recommandés

TOURNEVIS (+, -), RÈGLE, COUTEAU, MARTEAU, CRAYON, NIVEAU

PRÉPARATION DU CADRE

- Déposez les vis situées de part et d'autre et à l'arrière du boîtier.
- Tout en retenant le boîtier, glissez l'appareil hors du boîtier en tirant vers l'avant sur la poignée du réceptacle d'eau.
- Coupez le joint d'étanchéité en mousse à la longueur requise. Pelez le ruban détachable du joint et collez-le sur la face inférieure du châssis inférieur.
- Pelez le ruban détachable du joint d'étanchéité en mousse ⑩ du rail de guidage supérieur et collez-le sur la face inférieure du rail de guidage supérieur ⑨.
- À l'aide de trois vis de type A ⑤, fixez le rail de guidage supérieur sur le dessus du boîtier.
- Insérez les dispositifs de guidage du cadre ⑪ dans la partie inférieure du boîtier.
- Insérez les volets d'étanchéité ① dans le rail de guidage supérieur ⑨ et dans les dispositifs de guidage du cadre ⑪.
- Fixez les volets d'étanchéité à l'appareil à l'aide de quatre vis de type A ⑤.



Installation du boîtier

1. Ouvrez la fenêtre. Tracez une ligne au centre du rebord de fenêtre.

Placez le boîtier soigneusement sur le rebord de fenêtre et alignez le repère central de sa portion inférieure avant avec la ligne tracée sur le rebord de fenêtre.

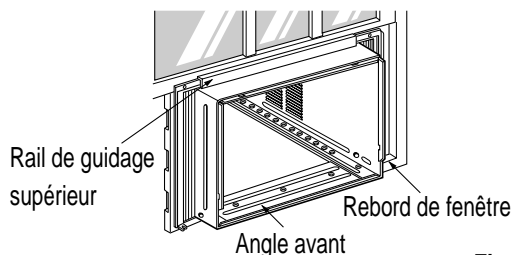


Fig. 1

2. Abaissez le châssis inférieur à l'arrière du rail de guidage supérieur jusqu'à ce qu'ils fassent

NOTE: Ne serrez pas le châssis de fenêtre au point où cela nuira au mouvement des volets d'étanchéité ①.

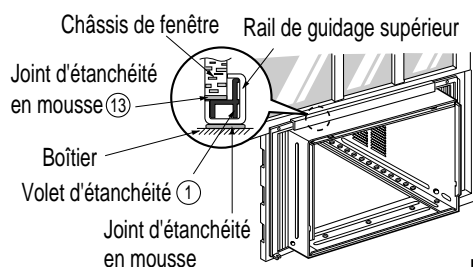


Fig. 2

3. Assemblez le support de seuil ② à l'aide des pièces illustrées dans la fig. 3 mais ne les serrez pas.

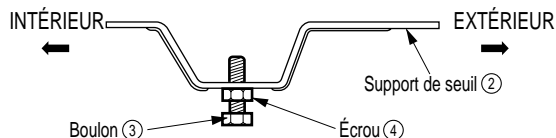


Fig. 3

4. Choisissez l'emplacement qui situera le support de seuil ② à l'emplacement le plus à l'extérieur du seuil (Voyez la fig. 4).

NOTE: Installez le boîtier avec précaution (les dispositifs de guidage de cadre ⑪ peuvent briser).

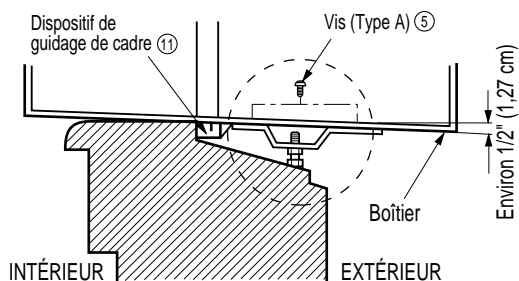
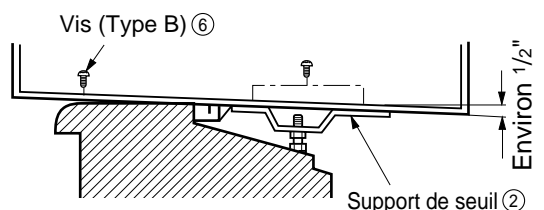


Fig. 4

5. Fixez les supports de seuil ② aux orifices de guidage du boîtier, en fonction de l'emplacement sélectionné, à l'aide de 2 vis de type A ⑤ pour chaque support (Voyez la fig.4).

6. Installez le boîtier avec une inclinaison d'environ 1/2" (1,27 cm) vers l'extérieur (Voyez la fig. 5). Réglez l'écrou et le boulon des supports de seuil ② de manière à équilibrer le boîtier.



7. Fixez le boîtier au rebord de fenêtre à l'aide de vis de type B ⑥ (16 mm [5/5"] de long) passant à travers de l'angle avant du boîtier et se logeant dans le rebord de fenêtre.
8. Tirez chaque volet d'étanchéité ① entièrement contre chaque coulisse de châssis et répétez l'étape 2.

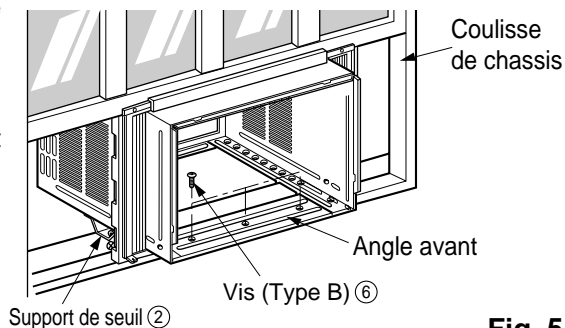


Fig. 5

9. Fixez chaque volet d'étanchéité ① à la coulisse de châssis à l'aide de vis de type C ⑦. (Voyez la fig. 6.)

MISE EN GARDE : Ne percez pas de trous dans le réceptacle d'eau. L'appareil est conçu pour fonctionner avec environ 1/2" (1,27 cm) d'eau présent dans le réceptacle d'eau. S'il n'y a pas d'eau dans le réceptacle, il n'est pas nécessaire d'en ajouter.

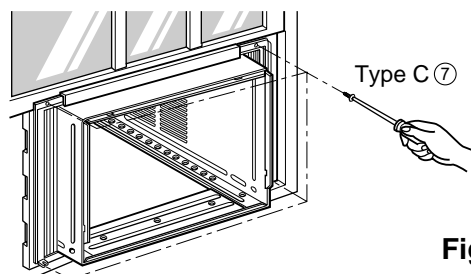


Fig. 6

10. Glissez l'appareil dans le boîtier. (Voyez la fig. 7)

ATTENTION : Pour votre sécurité, réinstallez le 2 (type A) qui avait été enlevé à l'étape 1 de la page 12, sur le côté du boîtier.

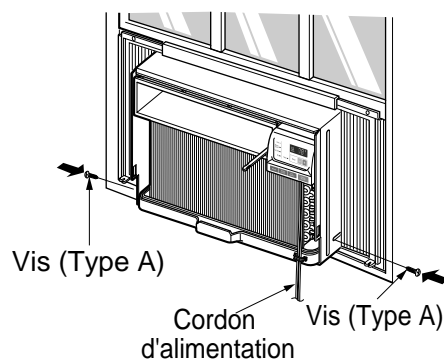


Fig. 7

11. Coupez la bande en mousse ⑧ à la longueur appropriée et insérez-la entre les châssis supérieur et inférieur de la fenêtre. (Voyez la fig. 8)

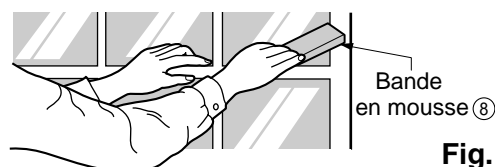


Fig. 8

12. Fixez l'étrier de verrouillage de fenêtre ⑫ à l'aide d'une vis de type C ⑦. (Voyez la fig. 9)

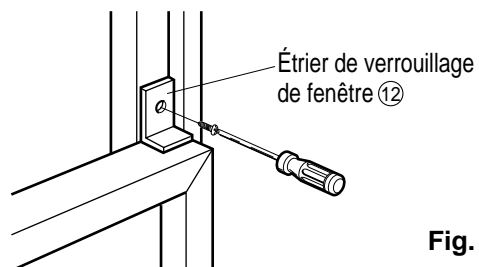


Fig. 9

13. Fixez la grille avant au boîtier en en insérant les languettes de la grille dans les encoches situées à l'avant du boîtier. Poussez la grille jusqu'à ce que vous l'entendiez cliquer en place. (Voyez la fig.10)

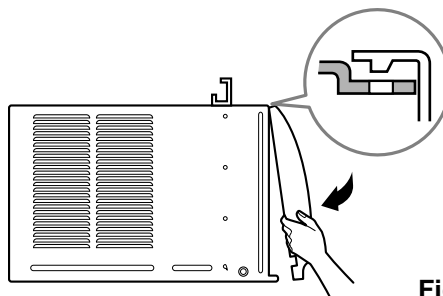


Fig. 10

14. Abaissez la grille de prise d'air et et fixez-la à l'aide d'une vis de Type A ⑥ passant à travers de la grille. (Voyez la fig. 11)

15. L'installation du climatiseur de pièce est maintenant complétée. Pour les détails de branchement du cordon d'alimentation à une prise de courant murale, veuillez vous reporter à SPÉCIFICATIONS ÉLECTRIQUES.

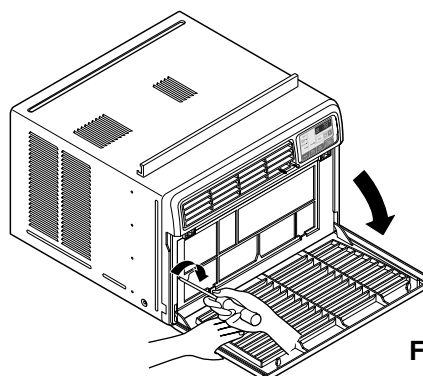


Fig. 11

Guide d'installation

Lisez complètement et avec soin ces instructions.

Outils nécessaires

- Tournevis à tête Phillips
- Tournevis à lame plate
- Règle ou ruban de mesure
- Ciseaux ou couteau
- Crayon
- Niveau
- Marteau

Avant de commencer

REMARQUE POUR L'INSTALLATEUR :

Remettez ces instructions au client après avoir achevé l'installation du climatiseur.

REMARQUE POUR LE CLIENT : Conservez ce Manuel d'installation et de fonctionnement pour une future utilisation.

Remarques importantes :

Nous recommandons que le revêtement soit correctement placé pendant l'installation. Pour votre sécurité personnelle, ce climatiseur doit être correctement mis à terre. Il est important d'avoir une prise de courant et un circuit qui soient contrôlés par un électricien qualifié si vous avez des doutes sur l'existence d'une mise à terre correcte.

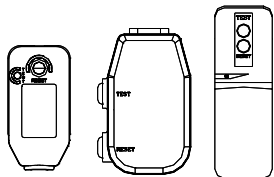
ATTENTION :


Dans tous les cas, ne coupez pas ou n'enlevez pas la troisième broche (terre) de cordon d'alimentation.

Ne changez pas la fiche du cordon d'alimentation de ce climatiseur. L'installation électrique en aluminium pourrait présenter des problèmes particuliers – consultez un électricien qualifié.

Mesures de Sécurité Électriques

Instructions d'installation

115V~	<p>Le cordon d'alimentation peut inclure un dispositif de coupure. Un bouton TEST et un bouton RESET (rétablir) sont fournis dans le boîtier de la fiche. Ce dispositif doit être périodiquement testé en appuyant d'abord sur le bouton TEST et ensuite sur le bouton RESET. Si le bouton TEST ne déclenche pas ou que le bouton RESET ne reste pas activé, veuillez suspendre l'utilisation du climatiseur et contacter un technicien qualifié.</p>
	

Utilisez ce type de prise murale	Source d'alimentation
 <p>Réceptacle standard de 125V à 3 fils avec mise à la masse, capacité de 15A, 125V CA</p>	<p>Utilisez un fusible à retardement de 15 A ou un disjoncteur de 15 A.</p>

L'UTILISATION DE CORDONS PROLONGATEURS

À cause des dangers potentiels nous vous déconseillons fortement l'utilisation de cordons prolongateurs. Toutefois, si vous tenez à les utiliser, servez-vous d'un cordon prolongateur à 3 fils (mis à la terre) homologué par l'acnor, dont la capacité est de 15 A, 125 V. Tout le filage doit respecter les normes des codes et règlements de la compagnie d'électricité locale.

REMARQUE

Le filage domestique en aluminium peut occasionner certains problèmes. Veuillez consulter un électricien.

MESURES DE SÉCURITÉ ÉLECTRIQUES

INSTRUCTIONS IMPORTANTES RELATIVES À LA MISE À LA TERRE

Le fil d'alimentation de ce climatiseur est muni d'une fiche de mise à la terre à trois broches. Branchez cette fiche dans une prise à trois ouvertures correctement mise à la terre afin de réduire les risques de choc électrique ou d'incendie.

REMARQUE

N'UTILISEZ PAS DE CORDON PROLONGATEUR.

Problèmes fréquents et solutions

Avant de contacter un centre de service, consultez la liste suivante de problèmes fréquents et solutions.

Le climatiseur fonctionne normalement et :

- Vous entendez un cliquetis. Ceci est dû à l'accumulation d'eau sur le condenseur par temps pluvieux ou lors de conditions très humides. Cette caractéristique est conçue pour aider à déshumidifier l'air et améliorer la capacité de refroidissement.
- Vous entendez cliquer le thermostat. Ceci est dû au démarrage et à l'arrêt du cycle du compresseur.
- Vous apercevez de l'eau s'écoulant de l'arrière du climatiseur. Lors de temps pluvieux ou à haut taux d'humidité, l'eau s'accumule dans le réceptacle d'eau. Cette eau déborde du réceptacle et s'écoule depuis l'arrière de l'appareil.
- Vous entendez fonctionner le ventilateur alors que le compresseur est arrêté. Cela est une caractéristique de fonctionnement normale.

Le climatiseur fonctionne normalement et :

Problème	Causes possibles	Solutions
Le climatiseur ne fonctionne pas du tout.	■ Le climatiseur est débranché ou mal branché.	• Veillez à ce que la fiche soit convenablement insérée dans la prise de courant murale.
	■ Fusible sauté ou disjoncteur ouvert.	• Contrôlez le fusible ou le disjoncteur et remplacez le fusible ou refermez le disjoncteur.
	■ Panne de courant	• Dans le cas d'une panne de courant, placez la commande d'alimentation à OFF. Lorsque le courant revient, attendez 3 minutes avant de redémarrer le climatiseur afin d'éviter de surcharger le compresseur.
	■ Le dispositif de coupure est déclenché.	• Appuyez sur le bouton RESET qui se trouve sur la fiche du cordon d'alimentation. Si le bouton RESET ne reste pas activé, veuillez suspendre l'utilisation du climatiseur et contacter un technicien qualifié.
Le climatiseur ne refroidit pas.	■ Le débit d'air est restreint.	• Veillez à ce qu'il n'y ait aucun rideau, store, pièce de mobilier ou autre obstacle placé à l'avant du climatiseur.
	■ Il se peut que le THERMOSTAT ne soit réglé à une température assez froide.	• Poussez le bouton de commande de réglage de la température vers la position 60°F.
	■ Le filtre à air est encrassé.	• Nettoyez le filtre à air au moins aux deux semaines. Reportez-vous à la section "Soins et entretien" (p.9) du manuel d'utilisation.
	■ Le climatiseur vient à peine d'être allumé.	• Une fois le climatiseur allumé, il lui faut un certain temps pour refroidir la pièce.
	■ L'air froid se perd.	• Contrôlez la présence de registres de fournaise et de retours d'air froid. • FERMEZ l'orifice de ventilation du climatiseur.
Présence de glace sur le climatiseur	■ Givrage des serpentins de refroidissement	• Voyez Présence de glace sur le climatiseur ci-dessous.
	■ Givrage des serpentins de refroidissement	• La glace peut obstruer le débit d'air et nuire au refroidissement approprié de la pièce. Réglez le ventilateur à MED ou HIGH tout en réglant le thermostat à 1 ou 2 jusqu'à ce que la glace fonde.



FRIEDRICH AIR CONDITIONING CO.
Post Office Box 1540 • San Antonio, Texas 78295-1540
(210) 357-4400 • FAX (210) 357-4490

Garantie limitée – Climatiseurs Friedrich

GARANTIE LIMITÉE -PREMIÈRE ANNÉE

TOUTES LES PIÈCES - Si, dans les 12 mois suivant la date d'achat initial, une pièce fournie par FRIEDRICH est défectueuse à cause d'un défaut de main d'oeuvre ou de matériel, FRIEDRICH réparera le produit gratuitement, pourvu qu'il soit raisonnablement facile d'obtenir accès au climatiseur pour le réparer. Toute main d'oeuvre nécessaire pour déposer des appareils d'accès difficile et/ou les frais de déplacement (kilométrage) par le centre de réparation, au delà de 25 miles (40km) dans une seule direction, sont la responsabilité du propriétaire. Ce remède est expressément accepté comme le seul remède dans les 12 mois suivant la date d'achat initial.

GARANTIE LIMITÉE -DEUXIÈME À CINQUIÈME ANNÉE

SYSTEME DE RÉFRIGÉRATION ÉTANCHE - Si le système de réfrigération étanche (dans le cadre de cette garantie, défini comme le compresseur, le serpentin de condenseur, le serpentin d'évaporateur, la vanne d'inversion, le clapet de non-retour, le tube capillaire, le filtre-déshydrateur et tous leurs tubes de raccordement) faisant partie du climatiseur FRIEDRICH est défectueux à cause d'un défaut de main d'oeuvre ou de matériau dans les 60 mois à compter de la date d'achat initial, FRIEDRICH paiera une allocation pour les frais de main d'oeuvre et les pièces nécessaires pour réparer le système de réfrigération étanche. FRIEDRICH ne paiera pas pour les frais de diagnostic du problème, de dépose, de transport du climatiseur jusqu'au centre de réparation et de retour ni les frais de repose associés à la réparation du système de réfrigération étanche. Tous ces frais sont à la charge du propriétaire. Ce remède est expressément accepté comme le seul remède dans les 60 mois suivant la date d'achat initial.

CONDITIONS D'APPLICATION ET LIMITATIONS - Cette garantie s'applique à tous les appareils vendus au détail aux États-Unis, dans le District de Columbia et au Canada. Cette garantie ne s'applique pas :

1. aux filtres à air ni aux fusibles ;
2. aux produits dont le numéro de modèle et le numéro de série ont été enlevés ;
3. aux produits dont les défauts ou dégâts ont été causés par une mauvaise installation, un mauvais câblage, l'alimentation avec une mauvaise tension ou par un mauvais entretien ; ni causés par un accident, une mauvaise utilisation ou des abus, un incendie, des inondations, des modifications et/ou une mauvaise application du produit et/ou des appareils installés dans une atmosphère corrosive, problèmes ou délais de réparation causés par actes de guerre, des restrictions ou limitations par le gouvernement, des grèves, des manquements de matériel en dehors du contrôle de FRIEDRICH ou par des cas de force majeure.

OBTENTION DE RÉPARATION SOUS GARANTIE - Le service sera fourni par un distributeur agréé par FRIEDRICH ou un centre de réparation dans la région. Ils sont indiqués dans les Pages Jaunes. S'il faut de l'assistance pour obtenir des réparations sous garantie, écrire à Room Air Conditioner Service Manager, Friedrich Air Conditioning Co., P.O. Box 1540, San Antonio, Texas 78295-1540.

LIMITATIONS - CETTE GARANTIE A ÉTÉ DONNÉE EN REMPLACEMENT DE TOUTE AUTRE GARANTIE. Indépendamment de cette garantie, TOUTE GARANTIE SOUS-ENTENDUE D'APPLICATION POUR UN BUT PARTICULIER ET/OU DE VENDABILITÉ EST LIMITÉE À LA DURÉE DE LA GARANTIE EXPRESSE. LE FABRICANT SPÉCIFIQUEMENT DÉCLINE ET REFUSE TOUTE RESPONSABILITÉ POUR LES DOMMAGES INDIRECTS OU SECONDAIRES POUR INEXÉCUTION DE TOUTE GARANTIE EXPRESSE OU SOUS-ENTENDUE.

REMARQUE - Certaines provinces ne permettent pas les limitations sur la longueur de la garantie sous-entendue ou ne permettent pas la limitation ni l'exclusion des dommages indirects ou secondaires, il est donc possible que ces exclusions et limitations ne s'appliquent pas à un cas spécifique.

AUTRE - Cette garantie donne des droits spécifiques et il est possible que le propriétaire ait d'autres droits qui varient d'une province à l'autre.

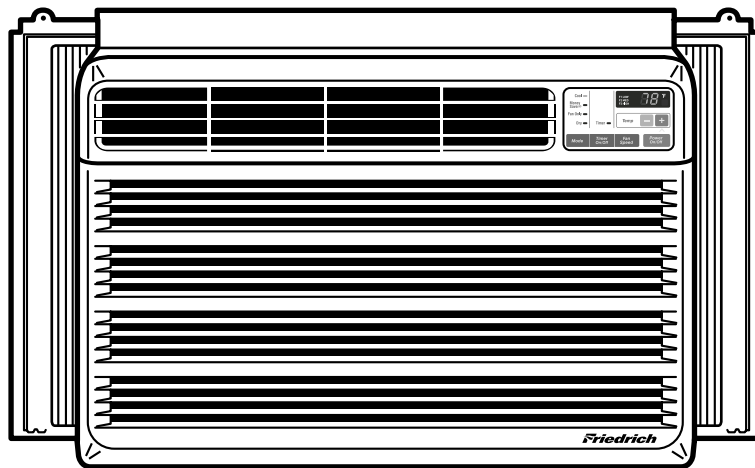
PREUVE D'ACHAT - Le propriétaire doit fournir la preuve d'achat pour pouvoir recevoir des services sous garantie. Tous les appels pour expliquer le fonctionnement de ce produit sont à la charge du consommateur. Toute réparation sous garantie doit être faite par un agent de réparation agréé par FRIEDRICH, sauf en cas d'autorisation préalable par FRIEDRICH.

En cas de question concernant les clauses de cette garantie, la version en anglais a priorité.

Revised 0801

Friedrich

Acondicionador de aire para habitación Manual de Instalación y Operación



CP Line

115 Volts

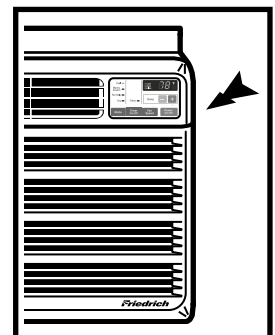
• CP10

• CP12

ESPAÑOL

Registrar su acondicionador de aire para habitación

Model information can be found on the name plate located on the
La información sobre el modelo puede hallarse en la placa ubicada en el
costado de la unidad más cercana al panel de control. Complete y envíe por
correo la tarjeta de registro de propietario que se entrega con este producto, o
bien regístrese por Internet en www.friedrich.com (sólo para EE.UU.) Para su
conveniencia en el futuro, registre aquí la información sobre su modelo.



NÚMERO DE MODELO NÚMERO DE SERIE FECHA DE COMPRA

¡Felicidades!

**Gracias por elegir Friedrich.
Su unidad Friedrich está diseñada para
lograr la máxima comodidad y silencio.**

Contenidos

Introducción.....	2
Precauciones de seguridad	3
Funcionamiento del control remoto	5
Ajustar la dirección del flujo de aire	6
Cuidado y mantenimiento	7
Instalación de la unidad	8
Instrucciones para la instalación	14
Problemas y soluciones habituales	16
Garantía.....	17

Introducción

Antes de poner en funcionamiento su unidad

Asegúrese que el tipo de cable sea el adecuado a su unidad.

Si tiene fusibles, deben ser del tipo de tiempo retardado. Antes de instalar o reubicar esta unidad, asegúrese que el nivel de amperaje del disyuntor o del fusible de tiempo retardado no exceda el amperaje que figura en la figura 1.

NO use cables de extensión.

El cable provisto llevará la cantidad adecuada de electricidad a la unidad, un cable de extensión puede no hacerlo.

Asegúrese que el receptáculo es compatible con el enchufe provisto.

Este asegura la conexión a masa correcta. Si tiene un receptáculo de dos clavijas, necesitará reemplazarlo por un receptáculo de tres clavijas que cumpla con todos los códigos de las diferentes naciones y las ordenanzas. Debe usar el enchufe de tres clavijas con el acondicionador de aire.


MODELO	CIRCUITO REGIMEN O TIEMPO DE RETARDO FUSIBLE		CARA DEL ENCHUFE	
	AMP	VOLT	NEMA NO.	
CP10 CP12	15	125	5-15P	

Figura 1

Para un mejor rendimiento del enfriador y eficiencia energética

Mantenga limpio el filtro

Asegúrese que su acondicionador de aire esté en su condición óptica de rendimiento limpiando regularmente el filtro.

Las instrucciones para quitar y limpiar el filtro pueden encontrarse en la página 7.

Provee buen flujo de aire

Asegúrese que no esté obstruida la corriente de aire desde y hacia la unidad. Su acondicionador de aire saca el aire de la parte superior de la unidad y lleva aire a la parte inferior. El flujo de aire es fundamental para un buen funcionamiento. También es muy importante que en el exterior del edificio, la corriente de aire alrededor del acondicionador no se vea bloqueada.

Ubicación de la unidad

Si su acondicionador de aire puede ser ubicado en una ventana o una pared que tenga sombra ya sea de árboles o de otro edificio, la unidad operará más eficientemente. El uso de cortinas o persianas del lado donde da el sol de la vivienda, también ayudará a la eficiencia de la unidad.

Aislación

Una buena aislación será de gran ayuda para mantener los niveles de comodidad deseables. Las puertas deberán tener protecciones contra el clima. Asegúrese de enmasillar alrededor de las puertas y las ventanas.

Safety Precautions

Siga estas instrucciones para que no se produzcan daños en la propiedad ni daños personales.

- Se pueden producir daños si se utiliza el aparato de forma incorrecta al desconocer las instrucciones.



ADVERTENCIA

Este símbolo indica la posibilidad de lesiones mortales o graves.



PRECAUCION

Este símbolo indica la posibilidad de lesiones o daños materiales.

- El significado de los símbolos utilizados en este manual se indica a continuación.



No realice nunca



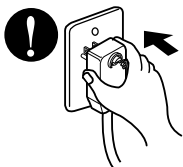
Lleve a cabo siempre



ADVERTENCIA

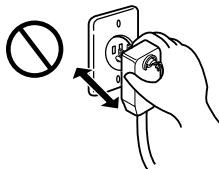
Conecte correctamente el enchufe

- De otra forma, ello ocasionaría una descarga eléctrica o incendio a causa de la generación de calor.



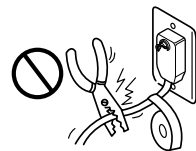
No opere o pare la unidad insertando o tirando del enchufe

- Ello ocasionaría una descarga eléctrica o incendio a causa de la generación de calor.



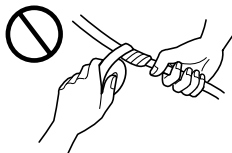
No dañe o utilice un cable eléctrico inadecuado

- Ello ocasionaría una descarga eléctrica o incendio.



No modifique el largo del cable eléctrico, y tampoco comparta el tomacorriente con otros aparatos

- Ello ocasionaría una descarga eléctrica o incendio a causa de la generación de calor.



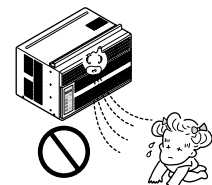
No lo maneje con las manos húmedas

- Puede ocasionar una descarga eléctrica.



No dirija el aire directamente hacia los ocupantes de la habitación.

- Esto podría dirigir al problema de la salud.

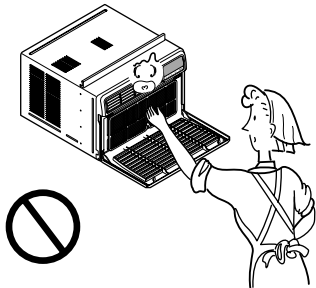




PRECAUCION

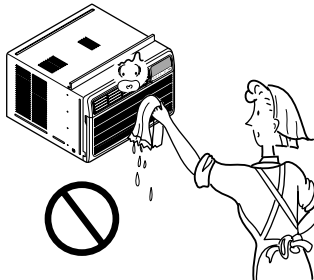
Quando se vaya a quitar el filtro de aire no toque las partes metálicas de la unidad interior.

- Esto podría causar heridas.



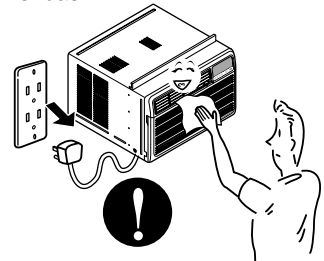
No limpie el acondicionador de aire con agua.

- El agua podría entrar en la unidad y degradar el aislamiento. También podría causar una sacudida eléctrica.



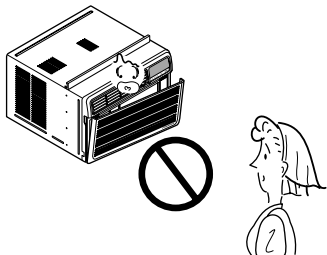
Cuando la unidad deberá ser limpiada, cambia la unidad lejos, y lo quita.

- Puesto que el ventilador gira a alta velocidad durante la operación, podría ocasionar heridas.



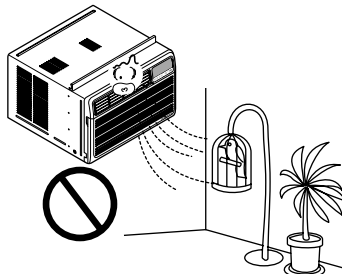
No opere sin el filtro de aire o cuando la rejilla frontal de toma de aire haya sido removida.

- Podría causar acumulación de polvo en el intercambiador de calor.



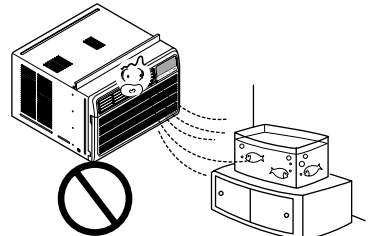
No ponga un animal doméstico ni una planta donde quede directamente expuesto al flujo de aire.

- Esto podría dañar al animal o a la planta.



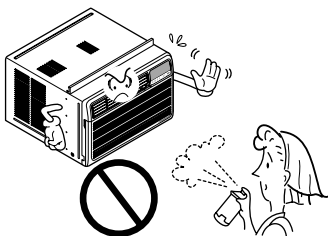
No lo utilice para propósitos especiales.

- No utilice este acondicionador de aire para conservar dispositivos de precisión, alimentos y objetos de arte; no ponga tampoco animales y plantas cerca de él. Esto podría deteriorar la calidad, etc.



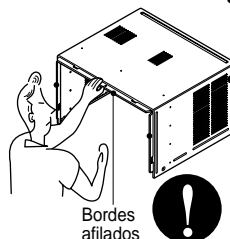
No manipule los interruptores con las manos mojadas.

- Esto podría causar una sacudida eléctrica.



No aplique aerosoles con insecticida o productos inflamables.

- Esto podría causar un incendio o deformar la caja.



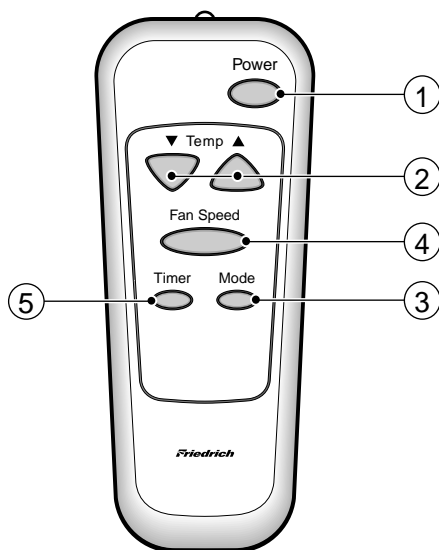
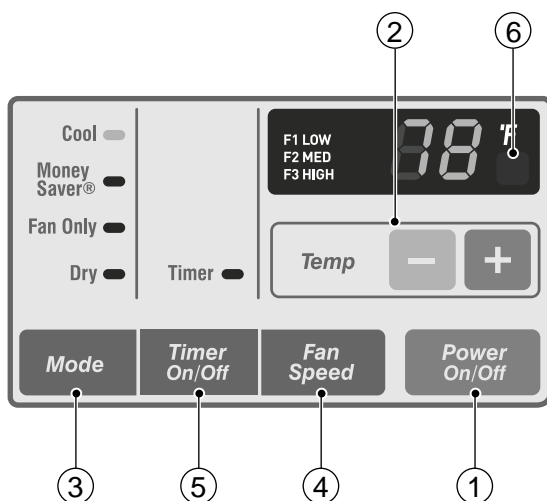
Bordes afilados

BORDES AFILADOS!

Los bordes de la carcasa pueden ser AFILADOS

- Tenga precaución al majenar la carcasa. Agárrelo firmemente y no permita que se deslice mientras lo mantiene.
- Utilice guantes gruesos para manejar la carcasa según la necesidad. NO permita que la carcasa se deslice contra su piel!

Funcionamiento del control remoto



Funcionamiento del control remoto

1. POWER (encendido)

El funcionamiento se inicia cuando se pulsa esta tecla y se detiene cuando se la presiona nuevamente.

2. CONTROL DE TEMPERATURA

El termostato monitorea la temperatura de la habitación para mantener la temperatura deseada.

El termostato puede ser colocado entre 60°F~86°F (16°C~30°C). La unidad toma un promedio de 30 minutos para ajustar la temperatura de la habitación en 1°F.

3. FUNCIONAMIENTO DEL MODO SELECTOR

Seleccione el modo fresco (cool) para enfriar la habitación.

Seleccione el modo de ahorro de energía para el funcionamiento del ahorro de energía.

Seleccione el modo ventilador (fan) para el funcionamiento del ventilador.

Seleccione el modo seco (dry) para el funcionamiento seco.

4. SELECTOR DE VELOCIDAD DEL VENTILADOR (FAN SPEED)

Para aumentar la capacidad mientras se refresca, seleccione una mayor velocidad del ventilador.

3 Pasos: High (alta); Low (baja); (media)

5. CRONÓMETRO ON/OFF (ENCENDIDO/APAGADO)

El cronómetro puede ser colocado para iniciar y detener la unidad en incrementos por hora (hasta 12 horas).

6. SENSOR DEL CONTROL REMOTO

Insertar las baterías del control remoto

1. Empuje hacia afuera con su pulgar la cubierta en la parte posterior del control remoto.
2. Preste atención a la polaridad e inserte dos nuevas baterías AAA 1.5V .
3. Vuelva a colocar la cubierta



NOTA: No use baterías recargables. Asegúrese que ambas baterías sean nuevas.

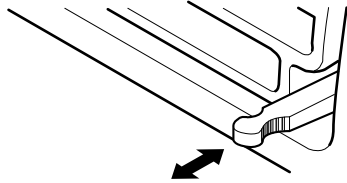
- Para evitar que se descarguen, quite las baterías del control remoto si el acondicionador de aire no va a ser usado por un período largo de tiempo. Mantenga el control remoto lejos de los lugares húmedos o extremadamente calientes. Para mantener el funcionamiento óptimo del control remoto, el sensor remoto no debe exponerse a la luz solar directa.
- El soporte montable del control remoto puede ser montado sobre una pared.

Ajustar la dirección del flujo de aire

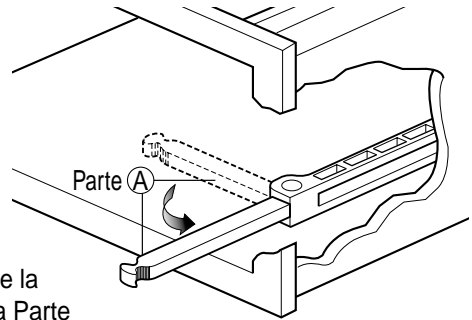
Control de ventilación

Para máxima eficiencia de frescura, CIERRE la ventilación. Esto permitirá la circulación interna de aire.

ABRA la ventilación para descargar el aire viciado.



CERRADA VENTILACIÓN ABIERTA



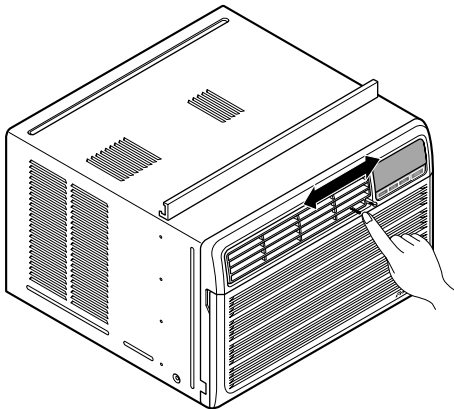
NOTA: Antes de usar la función de ventilación, coloque la palanca de ventilación tirando hacia fuera de la Parte A y presionándola en su lugar.

Ajustar la dirección del flujo de aire

El flujo de aire puede ser ajustado cambiando la dirección de las rejillas de ventilación del acondicionador de aire.

- **Ajustar la dirección del flujo de aire horizontal.**

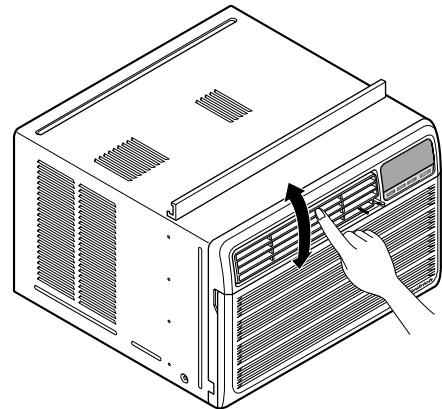
Ajustar las rejillas verticales hacia la izquierda y derecha cambiará el flujo horizontal.



Ajustar el flujo de aire horizontal

- **Ajustar la dirección del flujo de aire vertical**

Ajuste la persiana horizontal hacia arriba y hacia abajo para cambiar el flujo de aire vertical. La persiana se puede ajustar presionando la parte superior o inferior de la persiana horizontal.



Ajustar el flujo de aire vertical

- **Orientación recomendada de las rejillas**

Ajuste las rejillas hacia arriba para llevar al máximo la eficacia del fresco.

Cuidado y mantenimiento

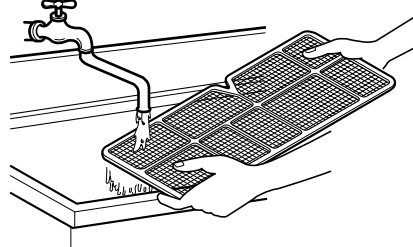
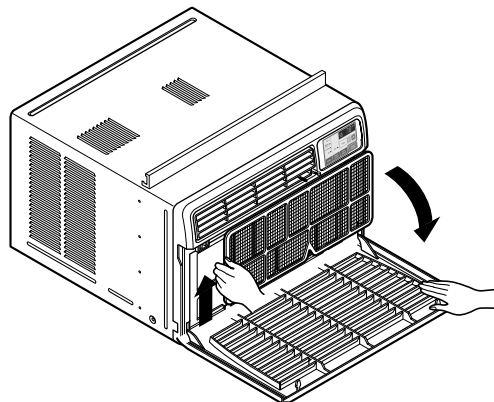
Desconecte la energía y desenchufe la unidad antes de limpiar el acondicionador de aire.

Filtro de Aire a

El filtro de aire detrás de la parrilla de entrada debe ser controlado y limpiado por lo menos una vez cada dos semanas (o cuando sea necesario) para mantener el rendimiento óptimo del acondicionador de aire.

Como quitar el filtro de aire

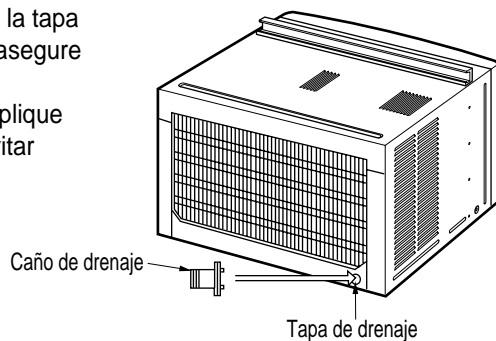
1. La rejilla puede ser abierta desde la parte superior para mantenimiento fácil después de la instalación.
2. Abra la rejilla de entrada tirando de la puerta externa en la parte superior de la unidad (basada en instalación).
3. Tire de la cuba ligeramente para liberar el filtro.
Tire del filtro en la misma dirección de la abertura.
4. Limpie el filtro con agua tibia y jabonosa.
El agua debe estar por debajo.
5. Enjuague y sacuda suavemente el exceso de agua del filtro. Déjelo secar antes de colocarlo nuevamente. Asegúrese de que el filtro está totalmente seco antes de sustituirlo.



Drenaje

La bandeja de base puede inundarse debido a un exceso de humedad. Para drenar el exceso de agua, quite la tapa de drenaje desde la parte posterior de la unidad y asegure el caño de drenaje.

Cuando presione el caño de drenaje en su lugar, aplique fuerza en la dirección opuesta a las aletas, para evitar lesionarse.a



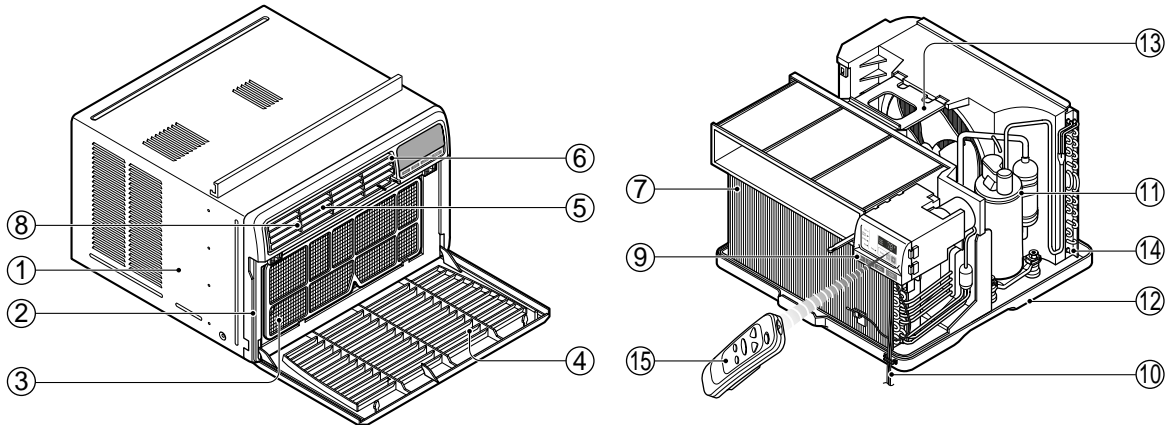
Instalación de la unidad

Funciones del producto



PRECAUCIÓN

Este dispositivo debe ser instalado de acuerdo con la normas nacionales de cableado. Esta guía actúa como ayuda para explicar las funciones del producto.



1. GABINETE
2. PARRILLA FRONTAL
3. FILTRO DE AIRE
4. TOMA DE AIRE (PARRILLA DE ENTRADA)
5. DESCARGA DE AIRE
6. DEFLECTOR VERTICAL DE AIRE (ÁLABE HORIZONTAL)
7. EVAPORADOR

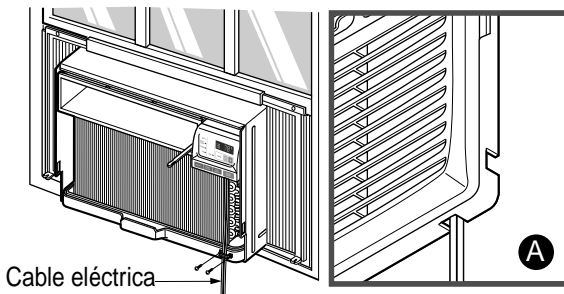
8. DEFLECTOR HORIZONTAL DE AIRE (ALABE VERTICAL)
9. PANEL DE CONTROL
10. CABLE ELÉCTRICA
11. COMPRESOR
12. BANDEJA DE BASE
13. ABRAZADERA
14. CONDENSADOR
15. CONTROL REMOTO

Instalación del cable eléctrica

Puede escoger entre los dos métodos abajo descritos de acuerdo a la forma del taburete de su ventana y su preferencia.

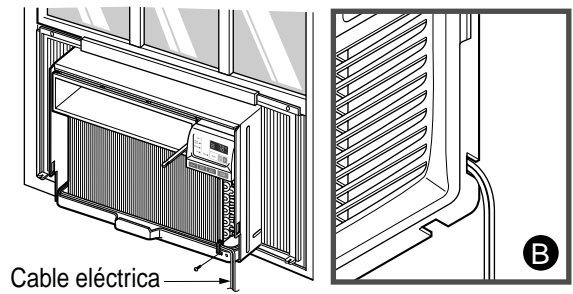
Utilizando la ranura "A"

- Aprete el obturador usando 2 hoyos de tornillo, y saque el cable eléctrico a través de la ranura "A".



Utilizando la ranura "B"

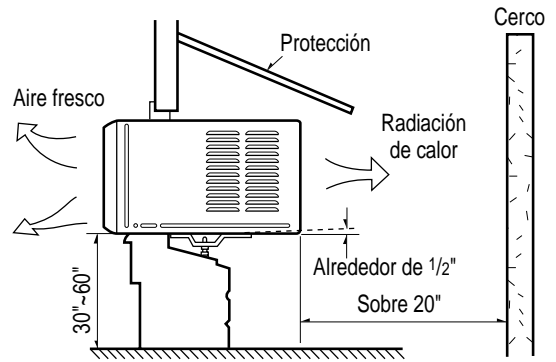
- Aprete el obturador usando el hoyo izquierdo de tornillo, y gire apropiadamente para sacar el cable eléctrico a través de la ranura "B".



Cómo instalar la unidad

1. Para prevenir la vibración y el ruido, asegúrese que la unidad esté instalada con seguridad y firmeza.
2. Instale la unidad donde la luz del sol no caiga directamente en la misma.
3. La parte exterior del gabinete debe extenderse hacia afuera por lo menos a 12" sin obstáculos, como por ejemplo un cerco o una pared, dentro de los 20" desde la parte posterior del gabinete porque evitará la radiación de calor del condensador.

La restricción del aire exterior reduce en gran parte la eficiencia de enfriar del acondicionador de aire.



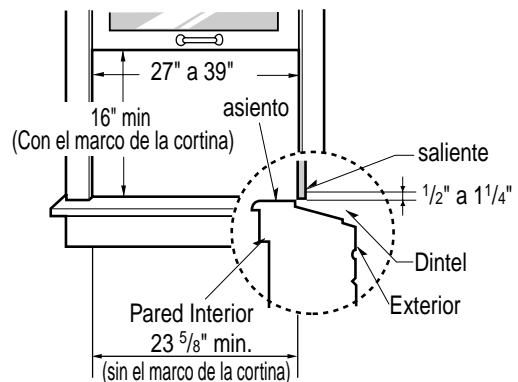
Atención: Todas las partes de la persiana de la cabina deben quedar expuestas y sin obstrucciones por la parte exterior de la estructura.

4. Instale la unidad un poco inclinada hacia atrás para que la parte trasera esté un poco más baja que la delantera.
Así el condensador fluirá hacia fuera.
5. Instale la unidad con el fondo aproximadamente 30"~60" por encima del nivel del piso.

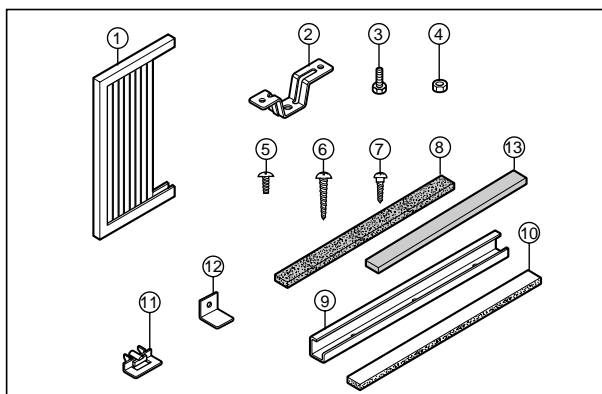
Requisitos de la ventana

NOTA: Todas las piezas de soporte deben estar aseguradas con madera fuerte, mampostería, o metal.

- Esta unidad está diseñada para ser instalada en ventanas dobles basculantes estándar con amplitud de apertura real desde 27" a 39".
- Las hojas inferiores y superiores de la ventana deben abrirse lo suficiente para permitir una luz vertical de 16" desde la parte inferior de la hoja superior hasta el asiento de la ventana.



Contenidos de los conjuntos de instalación



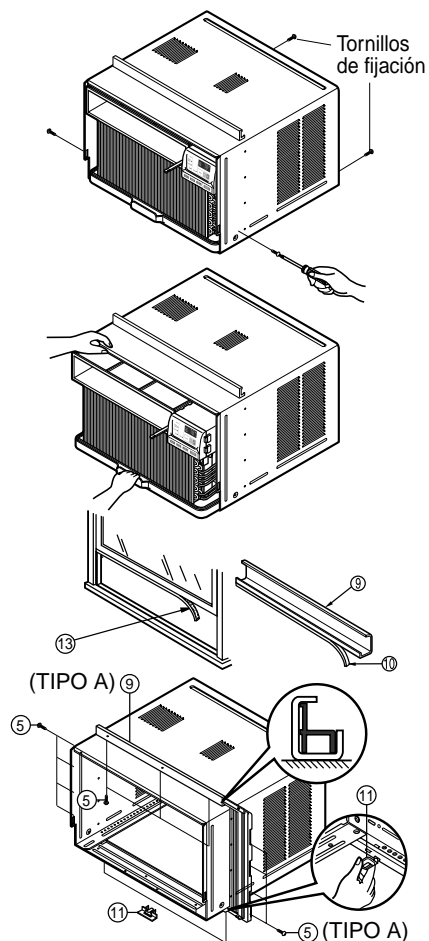
Nº	NOMBRE DE LA PARTE	Cantidad
1	MARCO DE LA CORTINA	2
2	DINTEL DE SOPORTE	2
3	PERNO	2
4	TUERCA	2
5	TORNILLO (TIPO A)	16
6	TORNILLO (TIPO B)	3
7	TORNILLO (TIPO C)	5
8	BURLETE DE ESPUMA	1
9	GUÍA SUPERIOR	1
10	BURLETE de ESPUMA-PE	1
11	GUÍA DEL MARCO	2
12	ABRAZADERA DE FIJACIÓN A LA VENTANA	1
13	BURLETE de ESPUMA-PE	1

Requisitos sugeridos de las ventanas

DESTORNILLADOR(+, -), REGLA, CUCHILLO, MARTILLO, LÁPIZ, NIVEL

PREPARACIÓN DEL CHASIS

1. Quite los tornillos que unen el gabinete a ambos lados y a la parte posterior.
2. Deslice la unidad desde el gabinete haciendo la manija de la base de la bandeja base mientras con la otra mano sostiene el gabinete.
3. Corte el sello de la hoja de la ventana en la medida adecuada. Quite el recubrimiento del soporte y pegue el burlete de Espuma-PE 13 a la cara inferior de la hoja de la ventana.
4. Quite el soporte de la guía superior del burlete de Espuma PE 10 y péguela a la parte inferior de la guía superior 9.
5. Fije la guía superior a la parte superior del gabinete con 3 tornillos tipo A 5.
6. Inserte las guías del marco 11 en la parte inferior del gabinete.
7. Inserte el marco de la cortina 1 en la guía superior 9 y las guías del marco 11.
8. Fije las cortinas a la unidad con 4 tornillos tipo A 5.



Instalación del gabinete

1. Abra la ventana. Marque una línea en el centro del asiento de la ventana. Coloque cuidadosamente el gabinete sobre el asiento de la ventana alinee la marca central de la parte inferior frontal con la línea marcada en el centro del asiento de la ventana.

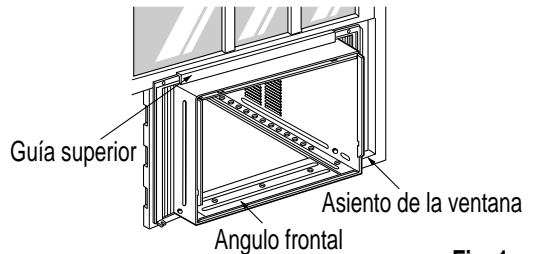


Fig. 1

2. Tire la hoja inferior de la ventana detrás de la guía superior hasta que se encuentren.

NOTA: No tire hacia abajo la hoja de la ventana de un modo que impida el movimiento del marco de la cortina ①.

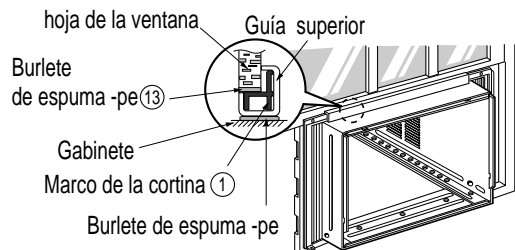


Fig. 2

3. Arme de modo flojo el soporte del dintel ② usando las partes que se muestran en Fig. 3.

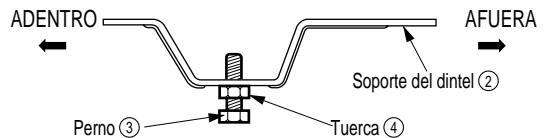


Fig. 3

4. Seleccione la posición en la que colocará el soporte del dintel ② cerca del punto más externo del dintel. (Ver Fig. 4)

NOTA: Tenga cuidado cuando instala el gabinete (las guías de marcos ⑪ se rompen fácilmente).

5. Agregue el soporte del dintel ② al hueco de la guía del gabinete según la posición seleccionada usando 2 tornillos tipo A ⑤ en cada soporte (Ver Fig. 4).

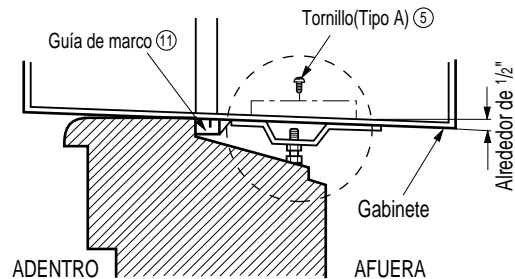
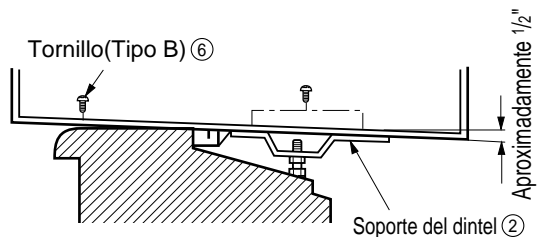
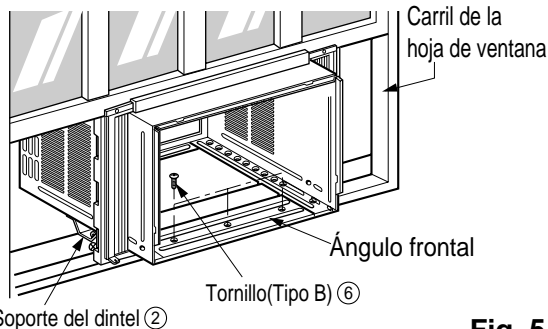


Fig. 4

6. El gabinete debe ser instalado con una ligera inclinación (aproximadamente 1/2") de modo que el lado externo quede hacia abajo (ver Fig. 5) Ajuste el perno y la tuerca del soporte al dintel ② para equilibrar el gabinete.



7. Agregue el gabinete al asiento de la ventana colocando los tornillos ⑥ (Tipo B: Largo 16mm 5/8 - pulgadas - abajo) a través del ángulo frontal en el asiento de la ventana.



8. Tire cada marco de la cortina ① completamente para cada carril de hoja de ventana y repita el paso 2.

9. Agregue cada marco de la cortina ① de la hoja de la ventana usando tornillos ⑦ (Tipo C). (ver Fig. 6)

Fig. 5

PRECAUCIÓN: No perforo en la bandeja inferior. La unidad está diseñada para operar con aproximadamente 1/2" de agua en la bandeja inferior. No hay necesidad de agregar agua a la bandeja si la bandeja está seca.

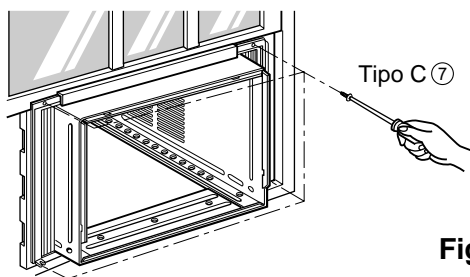


Fig. 6

10. Deslice la unidad dentro del gabinete. (ver Fig. 7)

PRECAUCIÓN: Para mantener su seguridad, vuelva a instalar el 2 (tipo A) en el lateral de la cabina que quitó en el paso 1 de la página 10.

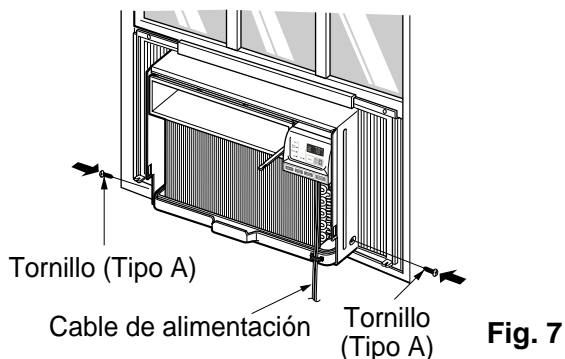


Fig. 7

11. Corte el burlete de espuma ⑧ en el largo adecuado e insértelo entre la hoja superior de la ventana y en la hoja inferior de la misma. (ver Fig. 8)

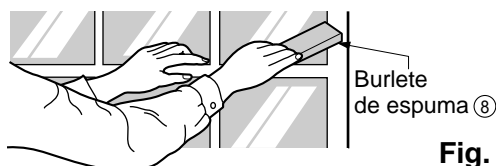


Fig. 8

12. Agregue la abrazadera de fijación ⑫ con un tornillo Tipo C ⑦ (ver Fig. 9)

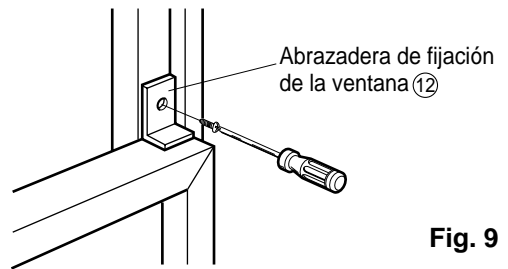


Fig. 9

13. Agregue la parrilla frontal al gabinete insertando las pestañas en la parrilla dentro de las pestañas del frente del gabinete. Empuje la parrilla hasta que se fije en el lugar. (ver Fig.10)

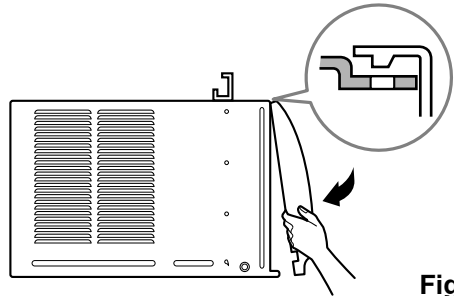


Fig. 10

14. Tire hacia abajo la parrilla de entrada y asegúrela con un tornillo Tipo A ⑤ a través de la parrilla frontal. (ver Fig. 11)
15. La instalación del acondicionador de aire de ventana para habitación está ahora completada. Ver en DATOS DE ELECTRICIDAD para unir el cable de alimentación a la salida eléctrica.

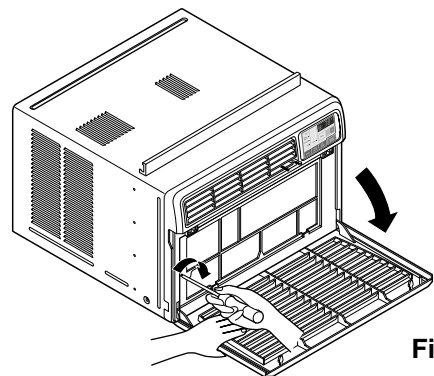


Fig. 11

Instrucciones para la instalación

Lea estas instrucciones completa y cuidadosamente

Herramientas que Necesitará

- | | |
|---|---|
| <input type="checkbox"/> Destornillador de estrella | <input type="checkbox"/> Tijeras o cuchillo |
| <input type="checkbox"/> Destornillador plano | <input type="checkbox"/> Lápiz |
| <input type="checkbox"/> Regla o Medidor de cinta | <input type="checkbox"/> Nivel |
| | <input type="checkbox"/> Martillo |

Antes de comenzar

NOTA PARA QUIEN INSTALA :Deje estas instrucciones con el aire acondicionado después de que la instalación se complete.

NOTA PARA EL USUARIO : Mantenga este Manual de Instalación y de Operación para usos futuros.

Notas Importantes :

Es recomendado que sea colocado un traje apropiado durante la instalación

Para la seguridad personal, este aire acondicionado debe ser conectado a la masa de forma apropiada.

Es importante tener la toma de la pared y el circuito revisado por un eléctrico calificado si existe duda alguna de si hay o no conexión apropiada a la masa.

PRECAUCIÓN :

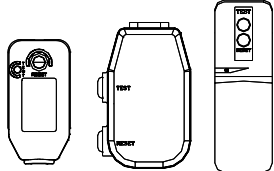
Bajo ninguna circunstancia, corte o remueva la tercera punta (masa) del cable eléctrico.


No cambie el enchufe en el cable eléctrico de este aire acondicionado

El alambrado de alojamiento en aluminio puede presentar problemas especiales – consulte a un eléctrico calificado.

Informacion Electrica

Datos Electricos

115V~	<p>El cable de alimentación puede incluir un dispositivo interruptor de corriente.</p> <p>La carcasa del enchufe cuenta con un botón de prueba y otro de reinicio.</p> <p>El dispositivo debe comprobarse periódicamente presionando primero el botón TEST y después RESET.</p> <p>Si el botón TEST no se desconecta o si el botón RESET no permanece activo, suspenda el uso del aire acondicionado y póngase en contacto con un técnico de servicio cualificado.</p>
	

Utilice el enchufe de la pared	Consumo de Energía
	<p>Utilice un fusible de 15AMO.</p> <p>o un Interruptor de 15AMP.</p>

Uso de cordones de Extension

Debido al potencial de peligro a su seguridad bajo ciertas circunstancias recomendamos encarecidamente no utilizar cordones de extensión.

Sin embargo, si usted decide usar un cordón de extensión, es absolutamente necesario que este sea un cordón listado bajo UL de tres espigas con conexión a tierra calificado 15A, 125V.

Todo el cableado deberá realizarse de acuerdo con los códigos y reglamentos eléctricos locales.

CONSEJO

El cableado doméstico de aluminio podría ocasionar problemas especiales. Consulte a un electricista calificado.

Seguridad electrica

NSTRUCCIONES DE CONEXION A TIERRA IMPORTANTES

El aire acondicionado tiene una clavija de conexión a tierra de tres patas en su cable de suministro de energía, que deberá enchufarse en un tomacorriente de pared de tres patas conectado a tierra adecuadamente para su protección contra un posible riesgo de electrocución.

Problemas y soluciones habituales

Antes de llamar al servicio, tenga a bien revisar la siguiente lista de problemas y sus soluciones.

El acondicionador de aire está funcionando normalmente cuando:

- Escucha un sonido metálico. Lo causa el agua que recoge el condensador en días lluviosos o en condiciones de mucha humedad. Esta característica está diseñada para ayudar a quitar la humedad en el aire y mejorar la capacidad de enfriamiento.
- Oye un clic en el termostato. Lo causa el ciclo del compresor que comienza y se detiene.
- Ve gotear agua de la parte posterior de la unidad. El agua puede ser recogida en la bandeja de base en condiciones de mucha humedad o días de lluvia. Esta agua desborda y gotea desde la parte posterior de la unidad.
- Oye funcionar el ventilador mientras el compresor está silencioso. Esto es una característica operativa normal.

El acondicionador de aire puede estar funcionando anormalmente cuando:

Problema	Causas posibles	Qué hacer
El acondicionador de aire no funciona para nada	■ El acondicionador de aire está desenchufado o no bien enchufado	• Asegúrese que el enchufe está completamente enchufado dentro del tomacorriente
	■ El fusible está fundido / el disyuntor está interrumpido	• Compruebe el fusible /la caja del disyuntor y reemplace el fusible o vuelva el disyuntor a su lugar.
	■ Corte de corriente	• En el caso de un corte de corriente, coloque el control de encendido en OFF. Cuando se haya restaurado la corriente, espere durante 3 minutos para volver a hacer funcionar el acondicionador de aire para prevenir la sobrecarga del compresor.
	■ El dispositivo interruptor de corriente está desconectado.	• Presione el botón RESET situado en el enchufe del cable de alimentación. Si el botón RESET no permanece activo, suspenda el uso del aire acondicionado y póngase en contacto con un técnico de servicio cualificado.
El acondicionador de aire no enfría	■ El flujo de aire está disminuido	• Asegúrese que no haya cortinas, persianas, muebles u otros obstáculos frente al acondicionador de aire
	■ El THERMOSTATO puede no estar colocado en el fresco suficiente	• Fije el botón de configuración de la temperatura al ajuste más frío de temperatura, 60°F.
	■ El filtro de aire está sucio.	• Limpie el filtro al menos una vez cada dos semanas. Refiérase a la sección "Cuidado y mantenimiento" (p.9) del manual.
	■ El acondicionador de aire se acaba de encender.	• Después que se enciende el acondicionador de aire, debe darle un tiempo al acondicionador de aire para enfriar la habitación.
	■ El aire frío se escapa.	• Busque alguna hornalla de resistencia encendida y el aire frío vuelve. • CIERRE la ventilación del acondicionador de aire
Aparece hielo sobre el acondicionador de aire	■ Los serpentines de enfriamiento están congelados	• Ve Aparece hielo sobre el acondicionador de aire abajo
	■ Los serpentines de enfriamiento están cubiertos de hielo.	• El hielo puede bloquear la corriente de aire e impedir que el acondicionador de aire enfríe correctamente la habitación. Coloque la velocidad del ventilador en MED o ALTA (HIGH) mientras coloca el termostato en 1 o 2 hasta que el hielo se funda.



FRIEDRICH AIR CONDITIONING CO.
Post Office Box 1540 • San Antonio, Texas 78295-1540
(210) 357-4400 • FAX (210) 357-4490

TÉRMINOS DE LA GARANTÍA LIMITADA -UNIDADES DE AIRE ACONDICIONADO FRIEDRICH

GARANTIA LIMITADA -PRIMER AÑO

TODAS LAS PARTES: Si cualquiera de las partes suministradas por FRIEDRICH no funciona debido a un defecto de manufactura o del material dentro de los 12 meses siguientes a la fecha original de compra, FRIEDRICH reparará el producto sin costo alguno, siempre y cuando que la unidad esté razonablemente accesible para el servicio. Todo costo adicional ocasionado por remover unidades inaccesibles y/o costos por millaje relacionados con el viaje de servicio, los cuales excedan una distancia de 25 millas (una vía), correrán por cuenta del propietario. Esta solución es la solución única convenida dentro de los 12 meses siguientes de la fecha original de compra.

GARANTIA LIMITADA -DEL SEGUNDO AL QUINTO AÑO

SISTEMA REFRIGERANTE SELLADO: Si el sistema refrigerante sellado (definido para este propósito como el compresor, condensador, serpentín, serpentín de evaporación, válvula de reversa, válvula de control, capilar, secador de filtro y tubería de interconexión) suministrado por FRIEDRICH con su unidad de aire acondicionado falla, debido a un defecto de manufactura o del material, dentro de los 60 meses siguientes a la fecha original de compra, FRIEDRICH pagará una asignación para mano de obra y las partes necesarias para arreglar el sistema refrigerante sellado, el sistema refrigerante sellado. Sin embargo, FRIEDRICH no pagará el costo del diagnóstico del problema, el retiro y transporte de la unidad hacia/de la agencia de servicio, ni los gastos de reinstalación asociados con la reparación del sistema refrigerante sellado. Todos esos costos correrán por cuenta del propietario. Esta solución es la solución única convenida dentro de los 60 meses siguientes a la fecha original de compra.

APLICABILIDAD Y LIMITACIONES: Esta garantía es aplicable únicamente a unidades que permanezcan dentro del territorio de los 50 Estados Unidos de América, el Distrito de Columbia y Canadá. Esta garantía no es aplicable a:

1. Filtros de aire o fusibles.
2. Productos en los cuales se hayan retirado las especificaciones de los modelos y los números de serie.
3. Productos que sufran defectos o daños resultantes de instalación o tendido eléctrico incorrectos, características de la corriente eléctrica o mal mantenimiento. Daños causados por accidentes, mal uso o abuso, incendio, inundación, alteraciones y mala aplicación del producto y/o unidades que se hayan instalado en una atmósfera corrosiva, problemas causados por guerra, restricciones gubernamentales, paros, carencia de materiales que vaya más allá del control de FRIEDRICH, o actos de la naturaleza.

PARA OBTENER CUMPLIMIENTO DE LA GARANTIA: El servicio será prestado por el concesionario/representante autorizado de FRIEDRICH o la organización de servicio afiliada en su área. Estos están listados en las Páginas Amarillas. Si requiere ayuda para obtener el cumplimiento de la garantía, por favor escriba a: Room Air Conditioner Service Manager, Friedrich Air Conditioning Co., Box 1540, San Antonio, TX 78295-1540.

LIMITACIONES: ESTA GARANTIA SE CONCEDE EN LUGAR DE OTRAS GARANTIAS. Además de lo que se detalla en la garantía, CUALQUIER GARANTIA DE IDONEIDAD EXPRESA PARA CUALQUIER PROPOSITO PARTICULAR Y/O PARA MERCADEO SE LIMITARÁ A LA DURACION CONCEDIDA POR ESTA GARANTIA EXPRESA. EL FABRICANTE RENUNCIA EXPRESAMENTE Y EXCLUYE CUALQUIER RESPONSABILIDAD POR DAÑOS INCIDENTALES O CONSECUENCIALES DETERMINADOS POR EL ROMPIMIENTO DE CUALQUIER GARANTIA EXPRESA O IMPLICITA.

NOTA: Algunos estados no permiten limitaciones sobre el tiempo de duración de una garantía implícita, o no permiten la limitación o exclusión de daños incidentales o consecuenciales, así que puede ser que esas exclusiones no apliquen en su caso.

OTRA: Esta garantía le da derechos legales específicos. Es posible que usted tenga otros derechos que son variables en cada estado.

PRUEBA DE COMPRA: El propietario debe tener la prueba/recibo de compra correctos para recibir servicios relacionados con la garantía.

Todas las llamadas telefónicas relacionadas con la operación/reparación de este producto correrán por cuenta del consumidor. Todo servicio de garantía debe ser prestado por una agencia de servicio autorizada por FRIEDRICH, a menos que FRIEDRICH autorice expresamente otro arreglo antes de que se haga la reparación.

En caso de preguntas relacionadas con los términos de esta garantía, la versión en inglés es la que tiene prioridad.

Revised 0801

Friedrich[®]

FRIEDRICH AIR CONDITIONING CO.

Visit our web site at www.friedrich.com

Post Office Box 1540 • 4200 N. Pan Am Expressway • San Antonio, Texas 78295-1540
• (210) 357-4400 • FAX (210) 357-4490

P/NO.: 3828A21016D

920-151-00 (12/04)