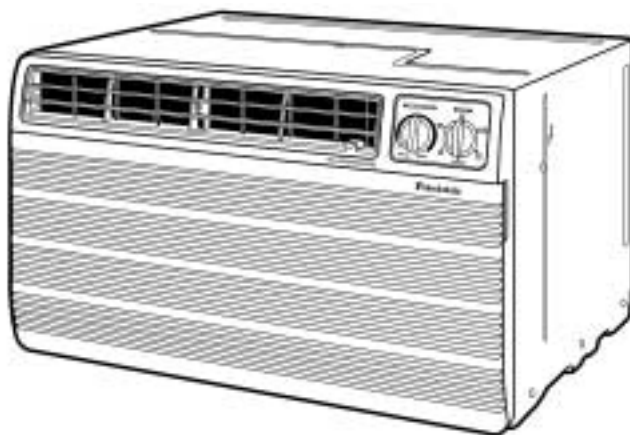


# Friedrich®

## Installation & Operation Guide



### Thru-the-Wall Series

115 Volts • UE08 • US08 • US10 • US12

230 Volts • US10 • UE10 • US12 • UE12

Model information can be found on the name plate on the front of the unit.  
To register your application, complete and mail the enclosed registration card, or  
register on-line at [www.friedrich.com](http://www.friedrich.com) (USA only).  
For your future convenience, record the model information here.

MODEL NUMBER

SERIAL NUMBER

PURCHASE DATE

**Safety Precautions**

Safety Precautions .....3

**Electrical Data**

Electrical Data .....5

**About the Controls on the Air Conditioner**

Controls .....6

Ventilation Control .....8

Air Direction .....8

**Care and Maintenance**

Air Filter Cleaning .....9

How to Attach Front Grille

to Cabinet .....9

**Features and Installation**

Features .....10

Installation .....11

How to Install .....11

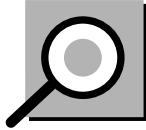
Procedure .....13-17

**Before you call for service...**

Normal Operation .....18

Abnormal Operation .....18

Warranty .....19

**READ THIS MANUAL**

Inside you will find many helpful hints on how to use and maintain your air conditioner properly. Just a little preventive care on your part can save you a great deal of time and money over the life of your air conditioner.

You'll find many answers to common problems in the chart of troubleshooting tips. If you review our chart of **Troubleshooting Tips** first, you may not need to call for service at all.

**CAUTION**

- Contact an authorized Service technician for repair or maintenance of this unit.
- The air conditioner is not intended for use by young children or invalids without supervision.
- Young children should be supervised to ensure that they do not play with the air conditioner.





# Safety Precautions



To prevent injury and property damage, the following instructions must be followed.

■ Incorrect operation due to ignoring of instruction can cause harm or damage.

The seriousness is classified by the following indications.

	<b>WARNING</b> : This symbol indicates the possibility of death or serious injury.
	<b>CAUTION</b> : This symbol indicates the possibility of injury or damage to properties only.

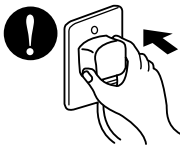
■ Meanings of symbols used in this manual are as shown below.

	<b>Never do this.</b>
	<b>Always do this.</b>

## **WARNING**

**Plug in the power plug properly.**

- Otherwise, it will cause electric shock or fire due to heat generation.



**Do not operate or stop the unit by inserting or pulling out the power plug.**

- It will cause electric shock or fire due to heat generation.



**Do not damage or use an unspecified power cord.**

- It will cause electric shock or fire.
- If the power cord is damaged, it must be replaced by the manufacturer or an authorized service center.



**Do not modify power cord length or share the outlet with other appliances.**

- It will cause electric shock or fire due to heat generation.



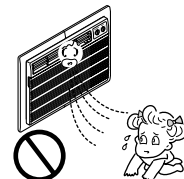
**Do not operate with wet hands or in damp environment.**

- It will cause electric shock.



**Do not airflow directly at room occupants only.**

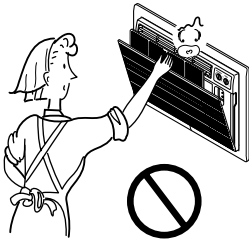
- This could damage your health.



**CAUTION**

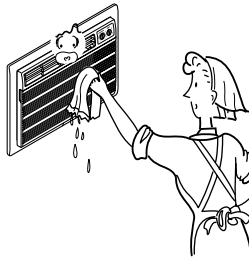
When the air filter is to be removed, do not touch the metal parts of the unit.

- They are sharp and may cause an injury.



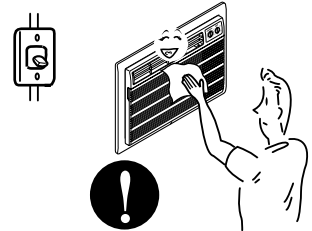
Do not clean the air conditioner with water.

- Water may enter the unit and degrade the insulation. It may cause an electric shock.



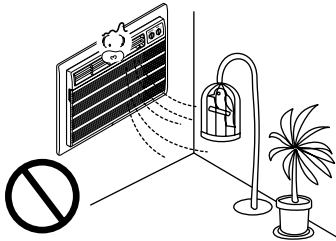
When the unit is to be cleaned, switch off, and turn off the breaker.

- Since the fan rotates at high speed during operation, it may cause an injury.



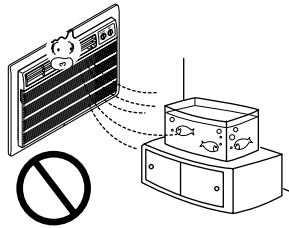
Do not put a pet or house plant where it will be exposed to direct air flow.

- This could harm the pets or plants.



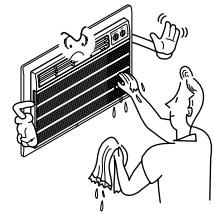
Do not use for special purposes.

- Do not use this air conditioner to preserve precision devices, food, pets, plants, and art objects. It may cause deterioration of quality, etc.



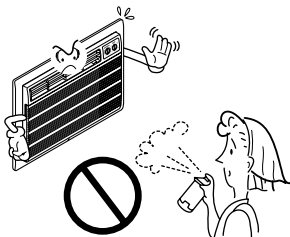
Do not operate switches with wet hands.

- It may cause an electric shock.



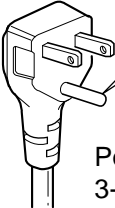
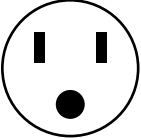
Do not apply an insecticide or flammable spray.

- It may cause a fire or deformation of the cabinet.

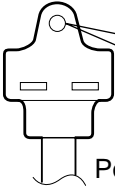


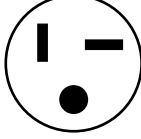


# Electrical Data

## Electrical Data (For 115V model)

Line Cord Plug	Use Wall Receptacle	Power Supply
 <p>Power supply cord with 3-prong grounding plug</p>	<p><b>Parallel type</b></p>  <p>Standard 125V, 3-wire grounding receptacle rated 15A, 125V AC</p>	<p>Use 15 AMP time delay fuse or 15 AMP circuit breaker.</p>
<p><b>USE OF EXTENSION CORDS</b> Because of potential safety hazards, do not use an extension cord.</p>		

## Electrical Data (For 230/208V model)

Line Cord Plug	Use Wall Receptacle	Power Supply
 <p>Power supply cord with 3-prong grounding plug</p>	<p><b>Tandem type</b></p>  <p>Standard 250V, 3-wire grounding receptacle rated 15A, 250V AC</p>	<p>Use 15 AMP time delay fuse or circuit breaker.</p>
 <p>Power supply cord with 3-prong grounding plug</p>	<p><b>Perpendicular type</b></p>  <p>Standard 250V, 3-wire grounding receptacle rated 20A, 250V AC</p>	<p>Use 20 AMP time delay fuse or circuit breaker. Refer to the nameplate for correct fusing.</p>

All wiring should be made in accordance with local electrical codes and regulations.  
**NOTE :** Aluminum house wiring may pose special problems. Consult a qualified electrician.

### ■ ELECTRICAL SAFETY

#### IMPORTANT GROUNDING INSTRUCTIONS

Air conditioner has a three-prong grounding plug on its power supply cord, which must be plugged into properly grounded three-prong wall receptacle for your protection against possible shock hazard.

**FUSE** – Use a time-delay fuse or circuit breaker. Refer to the nameplate for proper power supply requirements.

#### 208, 230, and 208/230 VOLT UNITS

These units are equipped with a three-prong grounding plug on the power supply cord, which must be plugged into a matching, properly grounded three-prong wall receptacle for your protection against possible shock hazard. If such an outlet is not present, one must be installed by a qualified electrician in accordance with the National Electrical Code and local codes and ordinances.

# About the Controls on the Air Conditioner

The controls will look like one of the following:



## Controls – Cooling Only Models

<p><b>MODE</b></p> <p>OFF</p> <p>Med Fan</p> <p>Low Fan</p> <p>High Cool</p> <p>Med Cool</p> <p>Low Cool</p>	<p>Off</p> <p>Med Fan Only</p> <p>Low Fan Only</p> <p>High Cool</p> <p>Med Cool</p> <p>Low Cool</p> <ul style="list-style-type: none"> <li>- Turns air conditioner off.</li> <li>- Med speed fan operation without cooling.</li> <li>- Low speed fan operation without cooling.</li> <li>- Cooling with high speed fan operation.</li> <li>- Cooling with med speed fan operation.</li> <li>- Cooling with low speed fan operation.</li> </ul>
<p><b>TEMPERATURE</b></p> <p>Warmer</p> <p>Cooler</p>	<p>This automatically controls the temperature of the indoor air. Turn the knob clockwise for greater cooling. Turn the knob counter-clockwise for more moderate cooling.</p>

### • FOR NORMAL COOLING

1. Turn the MODE Knob to the **Med Cool** setting.
2. Set the Temperature Knob to the desired temperature (the mid-point is a good starting position).  
If the room temperature is not satisfactory after a reasonable time, adjust the control to a cooler or warmer setting, as appropriate.

### • FOR MAXIMUM COOLING

1. Turn the MODE Knob to the **High Cool** setting.
2. Set the Temperature Knob to the coolest temperature setting all the way to the right.

### • FOR QUIETER OPERATION

1. Turn the Operation Knob to the **Low Cool** setting.
2. Set the Temperature Knob as needed.

The controls will look like one of the following:



## Controls – Cooling & Heating

	<p><b>MODE</b></p> <p>OFF - Turns the air conditioner off.</p> <p>Fan Only - The low fan speed operation without cooling/heating.</p> <p>Low Cool - Cooling with the low speed fan operation.</p> <p>High Cool - Cooling with the high speed fan operation.</p> <p>Low Heat - Heating with the low speed fan operation.</p> <p>High Heat - Heating with the high speed fan operation.</p>
	<p><b>TEMPERATURE</b></p> <p>Turn the Temperature Knob to the desired setting. The central position is a normal setting for average conditions. You can change this setting, if necessary, in accordance with your temperature preference.</p> <p>The thermostat automatically controls cooling or heating, but the fan runs continuously whenever the air conditioner is in operation. If the room is too warm, turn the thermostat control clockwise. If the room is too cool, turn the thermostat control counterclockwise.</p>

About the Controls on the Air Conditioner

The compressor will turn on and off to keep the room at the set temperature.  
In the heating operation, the electric heater will turn on and off to keep the room at the set temperature.

### CAUTION

When the air conditioner has been operated in the cooling or heating mode and is turned off or set to the fan position, wait at least 3 minutes before resetting to the cooling operation again.

A slight burning odor may come from the unit when first switching to HEAT after the cooling season is over. This odor, caused by fine dust particles on the heater, will disappear quickly. This is normal operation.

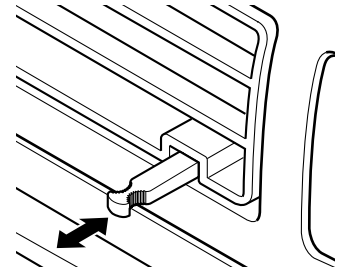
---

*Additional controls and important information.*

## *Ventilation Control*

---

Push the lever to the "CLOSE" position to cool, heat or recirculate room air only.  
Pull the lever to the "OPEN" position to exhaust smoke or stale air from the room.  
This feature is best used in conjunction with the FAN ONLY position.



**PULL OPEN / PUSH CLOSE**

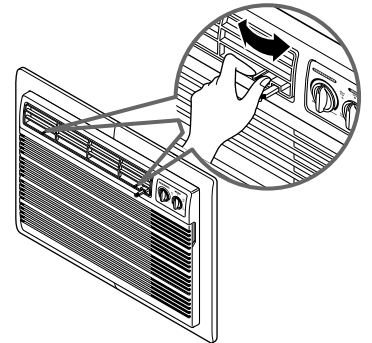
## *Air Direction*

---

The direction of air can be controlled by adjusting the horizontal and vertical louvers.

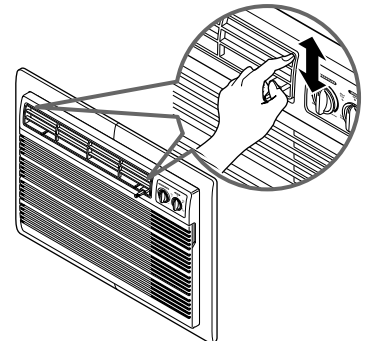
- ***HORIZONTAL AIR-DIRECTION CONTROL***

The horizontal air direction is adjusted by moving the vertical louver. The lever for the vertical louver is located in the right and left side of the air discharge.



- ***VERTICAL AIR-DIRECTION CONTROL***

The vertical air direction is adjusted by moving the horizontal louver.





# Care and Maintenance

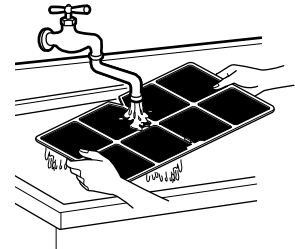
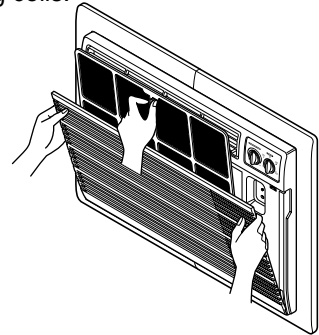
TURN THE AIR CONDITIONER OFF AND REMOVE THE PLUG FROM THE POWER OUTLET.

## Air Filter Cleaning

The air filter should be checked at least twice a month to see if cleaning is necessary. Trapped particles in the filter will build up and block the airflow. This reduces the cooling capacity and can also cause an accumulation of frost on the cooling coils.

If the filter becomes torn or damaged you should replace immediately. Replacement filters are available from your salesperson, dealer, and the authorized customer service centers.

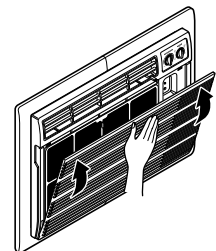
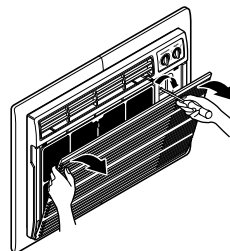
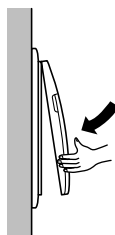
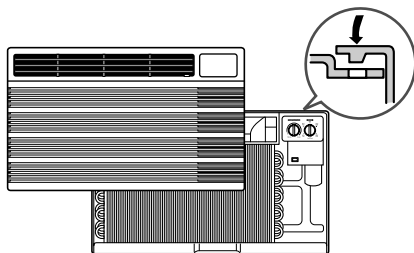
1. Open the inlet grille downward by grasping the top outside edges of the inlet grille and pulling it towards you.
2. Remove the air filter from the front grille assembly by pulling the air filter up slightly.
3. Wash the filter using lukewarm water and a mild detergent.
4. Gently shake all excess water from the filter. Make sure the filter is completely dry and replace the filter back into the unit.



## How to Attach Front Grille to Cabinet

The front grille can be removed for cleaning or to check the model and serial numbers. For your safety, you should attach the front grille using the following procedures.

1. Pull down front grille from the cabinet top.
2. Push front grille's tips toward the cabinet in order to insert front grille's tabs into the cabinet.
3. Open the inlet grille.
4. Tighten the screw through the front grille into the plate of control box.
5. Close inlet grille.

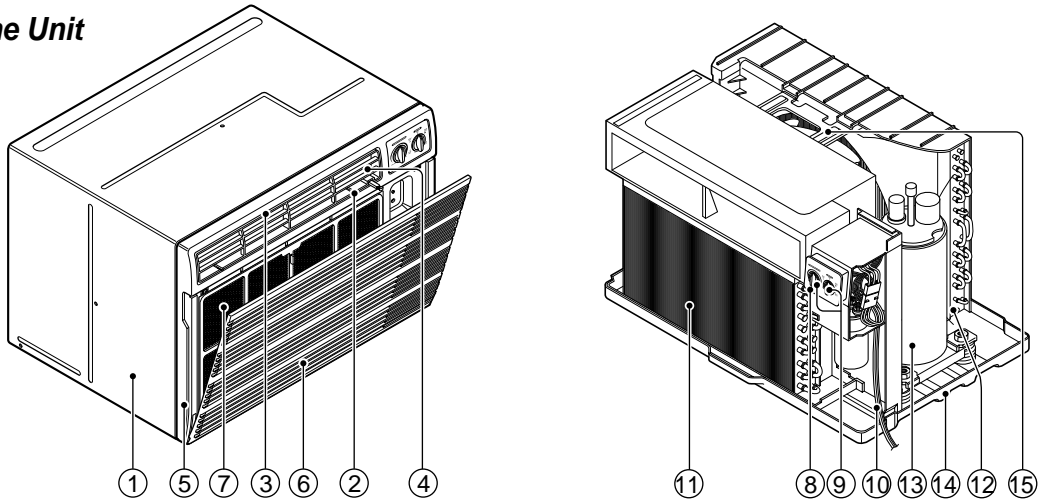


# Features

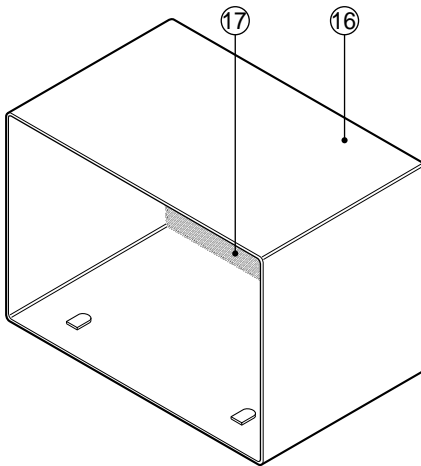
Learning part name prior to installation will help you understand the installation procedure.

## Features

### The Unit



### The Sleeve with the Rear Grille (sold separately)



- |  |  |
|--|--|
| 1. CABINET                                       | 11. EVAPORATOR   |
| 2. HORIZONTAL AIR DEFLECTOR<br>(Vertical Louver) | 12. CONDENSER  |
| 3. VERTICAL AIR DEFLECTOR<br>(Horizontal Louver) | 13. COMPRESSOR   |
| 4. AIR DISCHARGE                                 | 14. BASE PAN   |
| 5. FRONT GRILLE                                  | 15. BRACE  |
| 6. INLET GRILLE (Air Intake)                     | 16. SLEEVE ASSEMBLY<br>(Including Expanded Aluminum Rear grille) |
| 7. AIR FILTER                                    | 17. REAR GRILLE  |
| 8. CONTROL BOARD                                 |  |
| 9. KNOBS   |  |
| 10. POWER CORD                                   |  |

# Installation

Remove packing sheet from the back of the sleeve, and packing corner and blue tape from the air conditioner.

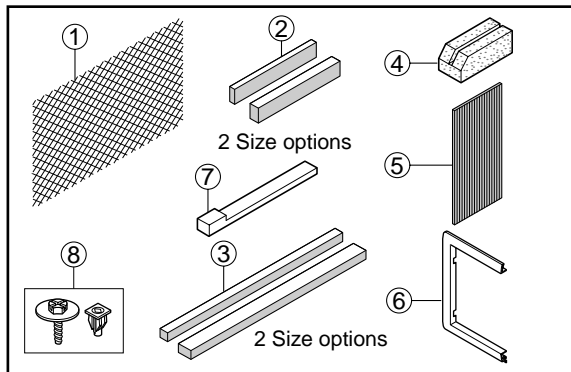
## INSTALLATION REQUIREMENTS

If you use an existing wall sleeve, you should measure its dimensions.

Install the new air conditioner according to these installation instructions to achieve the best performance. All wall sleeves used to mount the new air conditioner must be in good structural condition and have a rear grille to securely attach the new air conditioner. (FIG. 1)

With the FRIEDRICH USC sleeve, you can maintain the best performance of the new air conditioner. (FIG. 2)

## INSTALLATION HARDWARE



ITEM	NAME OF PARTS	Q'TY
①	PLASTIC GRILLE	1
②	HORIZONTAL INSULATION STRIPS	2
③	AROUND INSULATION STRIPS	2
④	SUPPORT BLOCK	2
⑤	BAFFLE	1
⑥	TRIM FRAME	2
⑦	SHIM	2
⑧	PLASTIC NUTS AND WASHER SCREWS	4

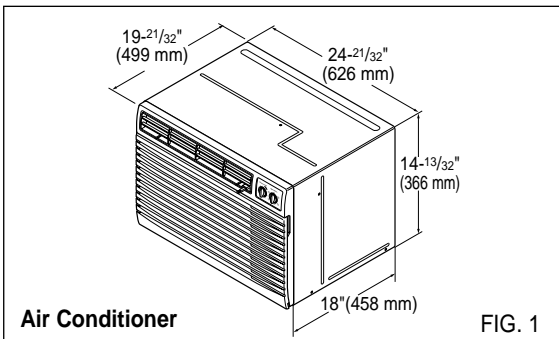


FIG. 1

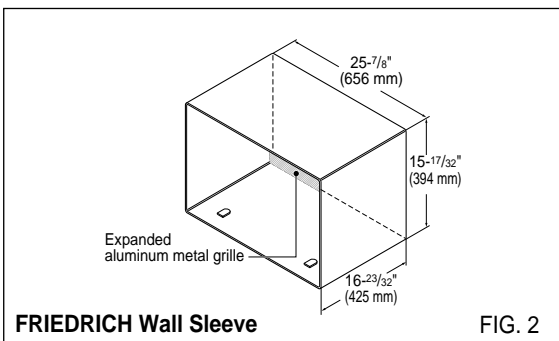


FIG. 2

## ELECTRICAL SERVICE

Check your available electrical service. The power supply available must be the same as that shown on the unit nameplate (found on left side of cabinet).

All models are equipped with a 3-prong service plug to provide proper service and safe positive grounding. Do not change plug in any way. Do not use an adapter plug. If your present wall outlet does not match your plug, call a qualified electrician to make the necessary corrections. SAVE CARTON for storage and this OWNER'S MANUAL for future reference. The carton is the best way to store unit during winter or when not in use.

## CAUTION

To avoid risk of personal injury, property damage, or product damage due to the weight of this device and sharp edges that may be exposed:

- Air conditioners covered in this manual pose an excessive weight hazard. Two or more people are needed to move and install the unit. To prevent injury or strain, use proper lifting and carrying techniques when moving unit.
- Carefully inspect location where air conditioner will be installed. Be sure it will support the weight of the unit over an extended period of time.
- Handle air conditioner with care. Wear protective gloves whenever lifting or carrying the unit. AVOID the sharp metal fins of front and rear coils.
- Make sure air conditioner does not fall during installation.

## REQUIRED TOOLS:

- Tight Fitting gloves
- Standard screwdriver
- Phillips screwdriver
- Pliers
- Sharp knife
- 3/8-inch open end wrench or adjustable wrench
- 1/4-inch hex socket and ratchet
- Tape measure
- Electric drill
- 1/4-inch drill bit

## INSTALLATION



### CAUTION

**We strongly recommend the removal of the old wall sleeve and the installation of a new FRIEDRICH USC Wall Sleeve.**

If you decide to keep the existing wall sleeve, you have to redirect the louvers at the back of the wall sleeve illustration. The use of pliers is recommended. If you DO NOT redirect, you run the risk of poor performance or premature product failure. This is not covered under the terms of the FRIEDRICH warranty.

- Pick a location which will allow the conditioned air to blow into the area you want. Good installation with special attention to the proper position of the unit will lessen the chance that service will be needed.

### ITEMS IN INSTALLATION HARDWARE

You may not need all parts in the kit. Discard unused parts

ITEM	DIMENSIONS(inches)	Qty.
Plastic grille	26 <sup>3</sup> / <sub>4</sub> x 16 <sup>1</sup> / <sub>2</sub>	1
Horizontal Insulation Strips	1 <sup>3</sup> / <sub>8</sub> x <sup>5</sup> / <sub>8</sub> x 27 <sup>3</sup> / <sub>16</sub>	1
	1 <sup>3</sup> / <sub>8</sub> x 1 <sup>3</sup> / <sub>8</sub> x 27 <sup>3</sup> / <sub>16</sub>	1
Around Insulation Strips	1 <sup>3</sup> / <sub>8</sub> x <sup>3</sup> / <sub>4</sub> x 61 <sup>1</sup> / <sub>2</sub>	1
	1 <sup>3</sup> / <sub>8</sub> x 1 <sup>3</sup> / <sub>8</sub> x 61 <sup>1</sup> / <sub>2</sub>	1
Support Block	1 <sup>3</sup> / <sub>4</sub> x 1 <sup>3</sup> / <sub>8</sub> x 4 <sup>5</sup> / <sub>16</sub>	2
Baffle	14 x 4 <sup>1</sup> / <sub>2</sub> x <sup>1</sup> / <sub>8</sub>	1
Shim	13 x 1 x <sup>3</sup> / <sub>4</sub>	2
Trim Frame		2
Washer Screw		4
Nuts(Plastic)		4

## HOW TO INSTALL

- 1 Before installing the unit, identify the existing wall sleeve from the list below.

Brand	Wall Sleeve Dimensions (inches)		
	Width	Height	Depth
White-Westinghouse Frigidaire Carrier (52F series)	25-1/2	15-1/4	16, 17-1/2 or 22
General Electric /Hotpoint	26	15-5/8	16-7/8
Whirlpool	25-7/8	16-1/2	17-1/8 or 23
Fedders/Emerson Friedrich WSC	27	16-3/4	16-3/4 or 19-3/4
FRIEDRICH USC	25-7/8	15-17/32	16-23/32
Emerson/Fedders	26-3/4	15-3/4	15
Carrier (51S Series)	25-3/4	16-7/8	18-5/8

**NOTE:** All wall sleeves used to mount the new Air Conditioner must be in sound structural condition and have a rear grille that securely attaches to sleeve, or rear flange that serves as a stop for the Air Conditioner.

- 2 Remove old air conditioner from existing wall sleeve.
- 3 Clean the interior of an existing sleeve. (Do not disturb seals or gaskets.)
- 4 Wall sleeve must be securely fastened in wall before installing the air conditioner. Use the nails or screws through sleeve into wall, if needed. Repaint sleeve if needed.
- 5 Prepare the wall sleeve for installation of the unit. If you plan to use your existing wall sleeve, and it is not FRIEDRICH, use procedure B or C below.

Procedure	Brand	Depth(inches)
A(page 13)	FRIEDRICH USC	16-23/32
B (pages 14~15)	White-Westinghouse Frigidaire Carrier (52F series)	16, 17-1/2 or 22
	General Electric /Hotpoint	16-7/8
	Whirlpool	17-1/8 or 23
	Carrier (51S series)	18-5/8
C (pages 16~17)	Fedders/Emerson	16-3/4
	Friedrich WSC	or 19-3/4
	Emerson/Fedders	15

- 6 Install new unit into wall sleeve.

**CAUTION:** When installation is complete, replacement unit **MUST** have a downward-rear slope as shown below.

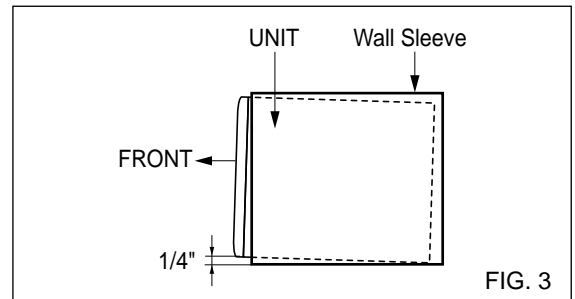
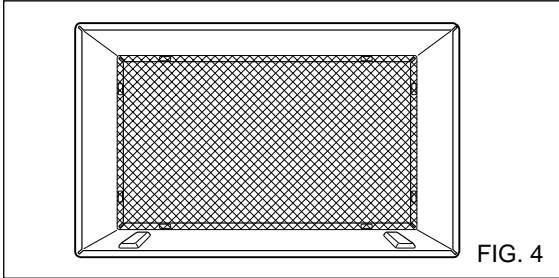


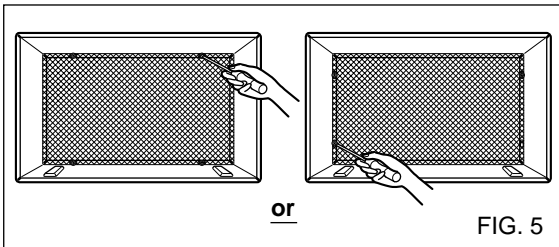
FIG. 3

## PROCEDURE A

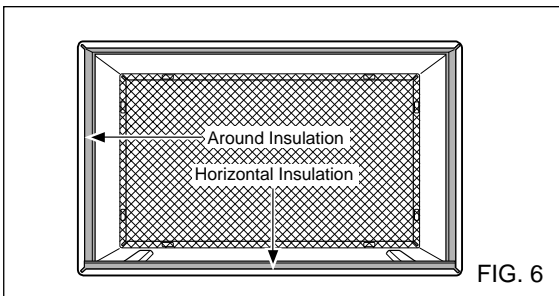
- 1** If you are using the new sleeve supplied with your unit, skip to step 3. Otherwise, install the plastic grille from the kit. Cut the plastic grille to 25-1/2" wide and 15-1/4" high. Place the plastic grille to the inside of the wall sleeve at the rear flange.



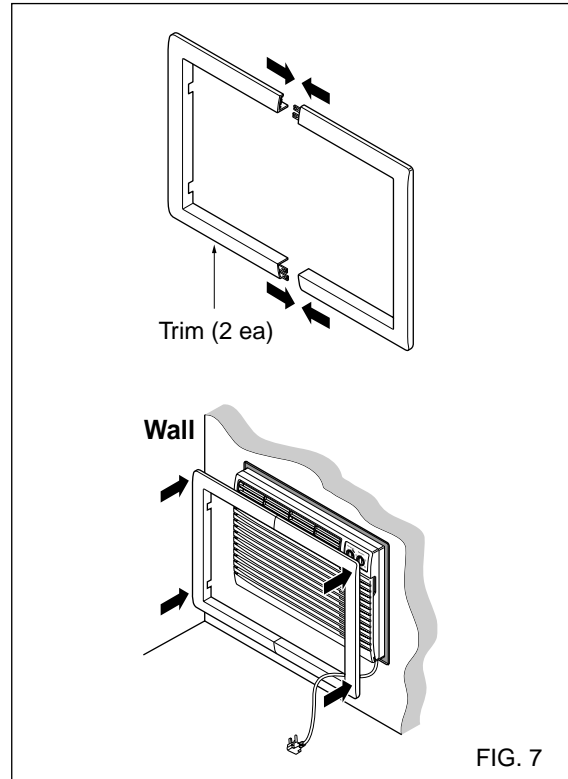
- 2** Fasten the 4 washer screws to secure the grille to the wall sleeve. If you need plastic nuts to mount plastic grille to the inside of the wall sleeve, there are plastic nuts in the installation kit. The nuts are installed from the inside of the sleeve and are pressed into the square holes of the rear flanges.



- 3** Remove the backing from the Horizontal Insulation strip 1 3/8" x 5/8" x 27 3/16" and attach that to the inside bottom of the sleeve as shown below. Remove the backing from the Around Insulation strip 1 3/8" x 3/4" x 61 1/2" and attach that to the inside front of the sleeve as shown below.



- 4** Install the new unit into the wall sleeve.
- 5** To assemble trim, snap the tab of each piece into the slot of the other piece as shown below. Slide trim over the front of the air conditioner until trim is flush with sleeve as shown below.

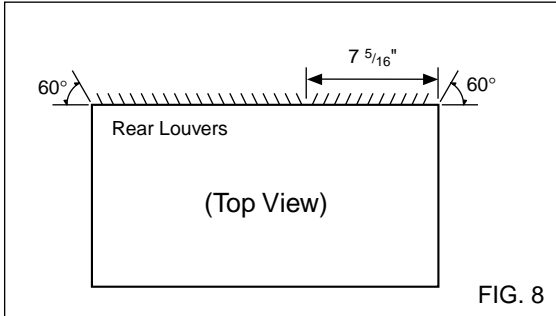


### CAUTION

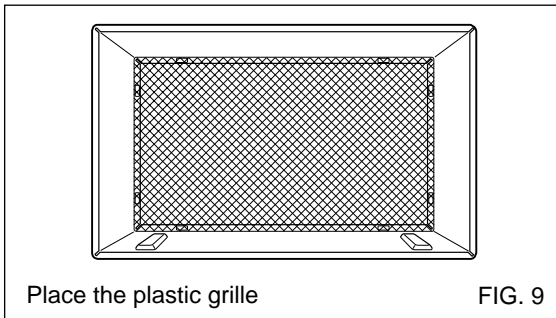
- Air conditioners covered in this manual pose an excessive weight hazard. Two or more people are needed to move and install the unit. To prevent injury or strain, use proper lifting and carrying techniques when moving unit.
- When handling the air conditioner, be careful to avoid cuts from sharp metal fins on front and rear coils.
- Make sure air conditioner does not fall during removal.

## PROCEDURE B

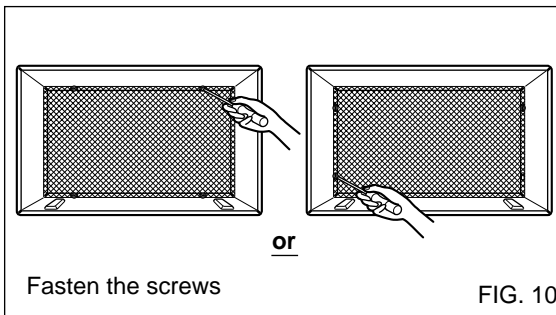
- 1 Redirect the louvers at the back of the wall sleeve to 60° angle as shown in the FIG 8. The use of pliers is recommended.



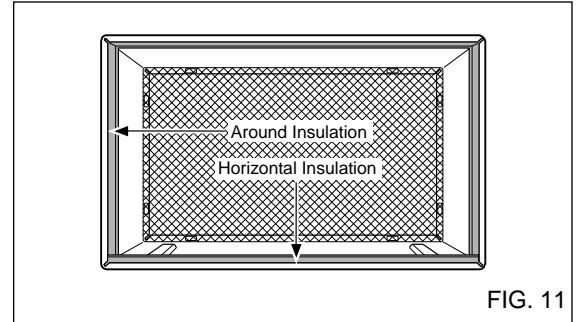
- 2 If the wall sleeve already has a rear grille, skip to step 4. If the wall sleeve does not have a rear grille or louvered panel, install the plastic grille from the kit. Cut the plastic grille to 25-1/2" wide and 15-1/4" high or to the sleeve dimensions. Place the plastic grille to the inside of the wall sleeve at the rear flange.



- 3 Fasten the 4 washer screws to secure the grille to the wall sleeve. If you need plastic nuts to mount plastic grille to the inside of the wall sleeve, there are plastic nuts in the installation kit. The nuts are installed from the inside of the sleeve and are pressed into the square holes of the rear flanges.



- 4 Remove the backing from the Horizontal Insulation strip 1 3/8" x 5/8" x 27 3/16" and attach that to the inside bottom of the sleeve as shown below. Remove the backing from the Around Insulation strip 1 3/8" x 3/4" x 61 1/2" and attach that to the inside front of the sleeve as shown below.

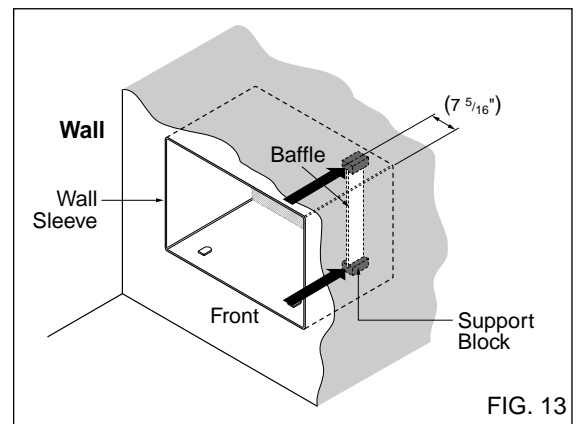


- 5 If the depth of your existing wall sleeve is less than or equal to 18", skip to step 7. Otherwise, cut the baffles and the support blocks according to length "A" in the table below.

Depth "D" of the existing wall sleeve (inches)	Length "A" (inches)
$18 < D \leq 18\text{-}5/8$	$3/4$
$18\text{-}5/8 < D \leq 19\text{-}3/4$	$1\text{-}3/4$
$19\text{-}3/4 < D \leq 22$	4

FIG. 12

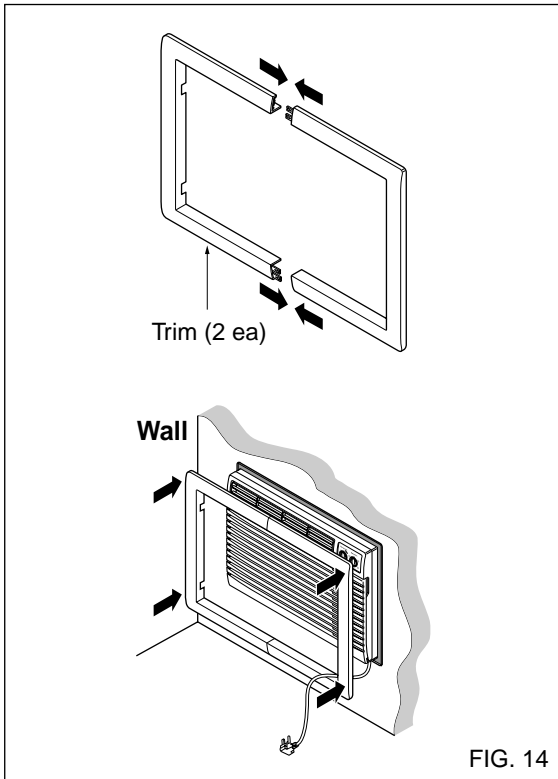
- 6 Remove the backing from the support blocks and attach them to the inside of the wall sleeve as shown FIG 9. Slide the baffle into slots of the support blocks.



- 7 Install the new unit into the wall sleeve.

## PROCEDURE B

- 8** To assemble trim, snap the tab of each piece into the slot of the other piece as shown below. Slide trim over the front of the air conditioner until trim is flush with sleeve as shown below.



### CAUTION

- Air conditioners covered in this manual pose an excessive weight hazard. Two or more people are needed to move and install the unit. To prevent injury or strain, use proper lifting and carrying techniques when moving unit.
- When handling the air conditioner, be careful to avoid cuts from sharp metal fins on front and rear coils.
- Make sure air conditioner does not fall during removal.

## PROCEDURE C

- 1** Redirect the louvers at the back of the wall sleeve to 60° angle as shown in the FIG 15. The use of pliers is recommended.

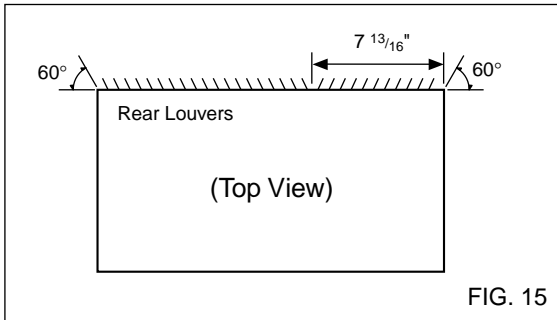
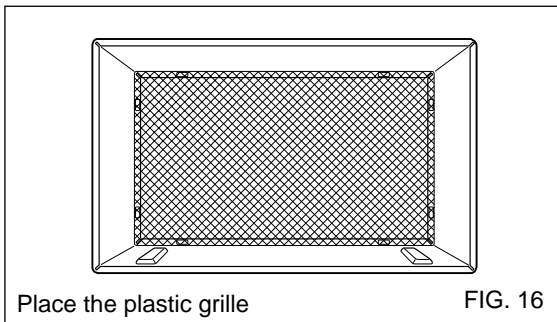


FIG. 15

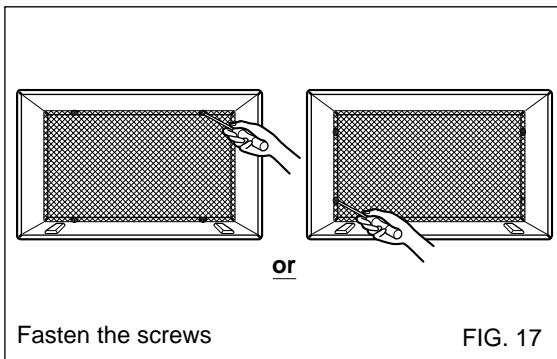
- 2** If the wall sleeve already has a rear grille, skip to step 4. If the wall sleeve does not have a rear grille or louvered panel, install the plastic grille from the kit. Cut the plastic grille to 26-1/2" wide and 15-1/2" high or to the sleeve dimensions. Place the plastic grille to the inside of the wall sleeve at the rear flange.



Place the plastic grille

FIG. 16

- 3** Fasten the 4 washer screws to secure the grille to the wall sleeve. If you need plastic nuts to mount plastic grille to the inside of the wall sleeve, there are plastic nuts in the installation kit. The nuts are installed from the inside of the sleeve and are pressed into the square holes of the rear flanges.



Fasten the screws

FIG. 17

- 4** Remove the backing from the Horizontal Insulation strip 1 3/8" x 1 3/8" x 27 3/16" and attach that to the inside bottom of the sleeve as shown below. Remove the backing from the Around Insulation strip 1 3/8" x 1 3/8" x 61 1/2" and attach that to the inside front of the sleeve as shown below.

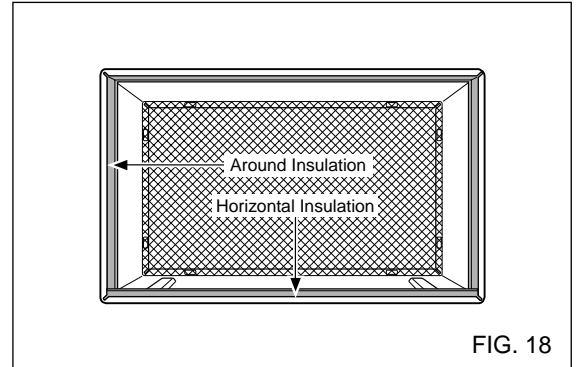
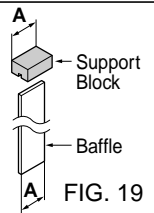


FIG. 18

- 5** If the depth of your existing sleeve is less than or equal to 18", skip to step 7. Otherwise, cut the baffles and the support blocks according to Length "A" in the table below.

Depth "D" of the existing wall sleeve (inches)	Length "A" (inches)
$18 < D \leq 18\text{-}5/8$	$3/4$
$18\text{-}5/8 < D \leq 19\text{-}3/4$	$1\text{-}3/4$
$19\text{-}3/4 < D \leq 22$	4



- 6** Remove the backing from the support blocks and attach them to the inside of the wall sleeve as shown FIG 20. Slide the baffle into slots of the support blocks

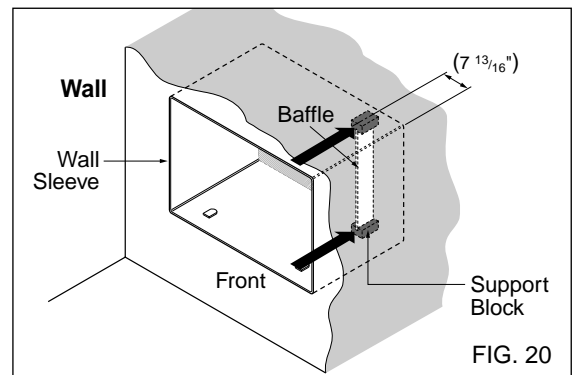


FIG. 20



## PROCEDURE C

- 7** Remove the backing from the 13" shim strips and attach them as shown below in Fig. 22. The higher portion of shim is to be placed in front of the rib on the base of wall sleeve.

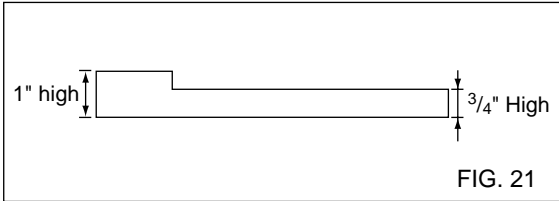


FIG. 21

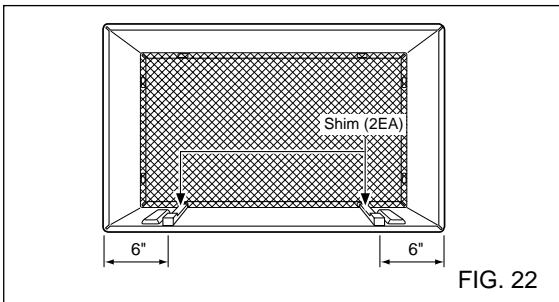


FIG. 22

- 8** Install the new unit into the wall sleeve

- 9** To assemble trim, snap the tab of each piece into the slot of the other piece as shown below. Slide trim over the front of the air conditioner until trim is flush with sleeve as shown below.

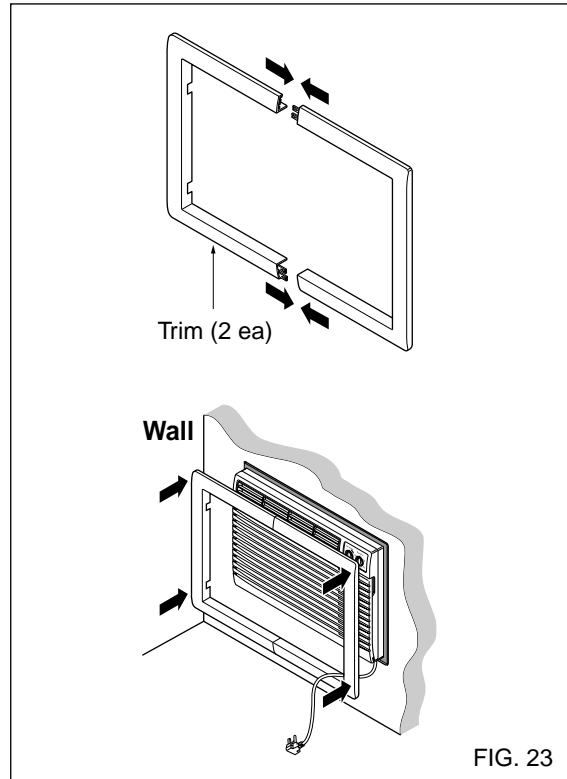


FIG. 23



### CAUTION

- Air conditioners covered in this manual pose an excessive weight hazard. Two or more people are needed to move and install the unit. To prevent injury or strain, use proper lifting and carrying techniques when moving unit.
- When handling the air conditioner, be careful to avoid cuts from sharp metal fins on front and rear coils.
- Make sure air conditioner does not fall during removal.

# Before you call for service...

*Troubleshooting Tips Save Time and Money!  
Review the chart below first and you may not need to call for service.*

## Normal Operation

- You may hear a pinging noise caused by water being picked up and thrown against the condenser on rainy days or when the humidity is high. This design feature helps remove moisture and improve efficiency.
- You may hear the thermostat click when the compressor cycles on and off.
- Water will collect in the base pan during high humidity or on rainy days. The water may overflow and drip from the outdoor side of the unit.
- The fan may run even when the compressor does not.

## Abnormal Operation

<i>Problem</i>	<i>Possible Causes</i>	<i>What To Do</i>
<i>Air conditioner does not start</i>	■ <i>The air conditioner is unplugged.</i>	• Make sure the air conditioner plug is pushed completely into the outlet.
	■ <i>The fuse is blown/circuit breaker is tripped.</i>	• Check the house fuse/circuit breaker box and replace the fuse or reset the breaker.
	■ <i>Power failure.</i>	• If power failure occurs, turn the mode control to <b>OFF</b> . When power is restored, wait 3 minutes to restart the air conditioner to prevent tripping of the compressor overload.
<i>Air conditioner does not cool as it should</i>	■ <i>Airflow is restricted.</i>	• Make sure there are no curtains, blinds, or furniture blocking the front of the air conditioner.
	■ <i>The THERMOSTAT may not be set high enough.</i>	• Turn the knob to the coolest temperature setting to the right. The cooler setting provides maximum cooling.
	■ <i>The air filter is dirty.</i>	• Clean the filter at least every 2 weeks. See the operating instructions section.
	■ <i>The room may have been hot.</i>	• When the air conditioner is first turned on, you need to allow time for the room to cool down.
	■ <i>Cold air is escaping.</i>	• Check for open furnace floor registers and cold air returns. • Set the air conditioner's vent to the closed position.
<i>Air conditioner freezing up</i>	■ <i>Cooling coils have iced up.</i>	• See Air Conditioner Freezing Up below.
	■ <i>Ice blocks the air flow and stops the air conditioner from cooling the room.</i>	• Set the mode control at <b>Med Fan</b> or <b>High Cool</b> with the thermostat towards the left.



Friedrich Air Conditioning-Co.  
P.O. Box 1540  
San Antonio, TX 78295-1540  
(210) 357-4400

# THRU-THE-WALL LIMITED WARRANTY

## FIRST YEAR

**ANY PART:** If any Part supplied by FRIEDRICH fails because of a defect in workmanship or material within twelve months from date of original purchase, FRIEDRICH will repair the product at no charge, provided room air conditioner is reasonably accessible for service. Any additional labor cost for removing inaccessible units will be the responsibility of the owner. This remedy is expressly agreed to be the exclusive remedy within twelve months from the date of the original purchase.

## SECOND THROUGH FIFTH YEAR

**SEALED REFRIGERANT SYSTEM:** If the sealed refrigeration system (defined for this purpose as the compressor, condenser coil, evaporator coil, reversing valve, check valve, capillary, filter drier, and all interconnecting tubing) supplied by FRIEDRICH in your Room Air Conditioner fails because of a defect in workmanship or material within Sixty months from date of purchase, FRIEDRICH will pay a labor allowance and parts necessary to repair the Sealed Refrigeration System; **PROVIDED** FRIEDRICH will not pay the cost of diagnosis of the problem, removal and transportation of the air conditioner to and from the Service Agency, and the reinstallation charges associated with repair of the Sealed Refrigeration System. All such cost will be the sole responsibility of the owner. This remedy is expressly agreed to be the exclusive remedy within sixty months from the date of the original purchase.

**APPLICABILITY AND LIMITATIONS:** This warranty is applicable only to units retained within the Fifty States of the U.S.A., District of Columbia, and Canada. This warranty is not applicable to:

1. Air filters or fuses.
2. Products on which the model and serial numbers have been removed.
3. Products which have defects or damage which results from improper installation, wiring, electrical current characteristics, or maintenance; or caused by accident, misuse or abuse, fire, flood, alterations and/or misapplication of the product and/or units installed in a corrosive atmosphere, default or delay in performance caused by war, government restrictions or restraints, strikes, material shortages beyond the control of FRIEDRICH, or acts of God.

**OBTAINING WARRANTY PERFORMANCE:** Service will be provided by the **FRIEDRICH Authorized Dealer or Service Organization** in your area. They are listed in the Yellow Pages. If assistance is required in obtaining warranty performance, write to: Room Air Conditioner Service Manager, Friedrich Air Conditioning Co., P.O. Box 1540, San Antonio, TX 78295-1540.

**LIMITATIONS: THIS WARRANTY IS GIVEN IN LIEU OF ALL OTHER WARRANTIES. Anything in the warranty notwithstanding, ANY IMPLIED WARRANTIES OF FITNESS FOR PARTICULAR PURPOSE AND/OR MERCHANTABILITY SHALL BE LIMITED TO THE DURATION OF THIS EXPRESS WARRANTY. MANUFACTURER EXPRESSLY DISCLAIMS AND EXCLUDES ANY LIABILITY FOR CONSEQUENTIAL OR INCIDENTAL DAMAGE FOR BREACH OF ANY EXPRESSED OR IMPLIED WARRANTY.**

**NOTE:** Some states do not allow limitations on how long an implied warranty lasts, or do not allow the limitation or exclusion of consequential or incidental damages, so the foregoing exclusions and limitations may not apply to you.

**OTHER:** This warranty gives you specific legal rights, and you may also have other rights which vary from state to state.

**PROOF OF PURCHASE:** Owner must provide proof of purchase in order to receive any warranty related services.

All service calls for explaining the operation of this product will be the sole responsibility of the consumer.

All warranty service must be provided by an **Authorized FRIEDRICH Service Agency**, unless authorized by FRIEDRICH prior to repairs being made.

In case of questions regarding the provisions of this warranty, the English version will govern.

Revised (10/00)

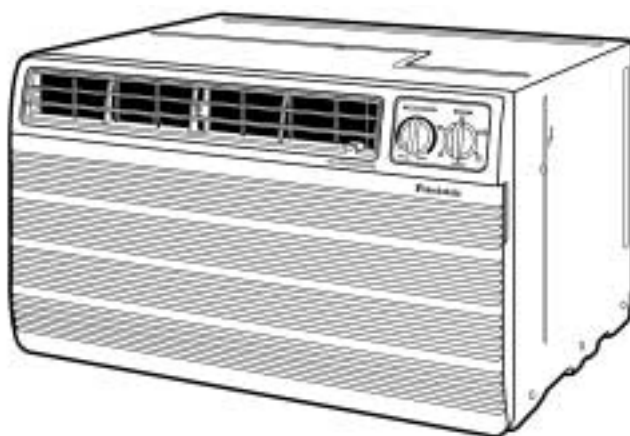
# Memo

---

A series of horizontal dotted lines for writing.

# Friedrich®

## Guide d'installation & de fonctionnement



### Séries murales

115 Volts • UE08 • US08 • US10 • US12

230 Volts • US10 • UE10 • US12 • UE12

Les informations sur le modèle sont sur la plaque avant de l'unité.

Pour enregistrer votre application, remplir et envoyez la carte d'enregistrement jointe par courrier ou enregistrez-vous en ligne à [www.friedrich.com](http://www.friedrich.com) (US seulement).

Pour votre future référence, enregistrez le modèle ici .

NUMERO DU MODELE

NUMERO DE SERIE

DATE D'ACHAT

## Précautions de sécurité

Précautions de sécurité.....3

## Données Electriques

Données Electriques .....5

## Commandes du climatiseur

Commande .....6

Commandes de ventilation .....8

Air Direction.....8

## A propos du climatiseur

Nettoyage du filtre à air .....9

Attachez la grille.....9

## Dispositifs & Installation

Dispositif .....10

Installation.....11

Comment installer.....11

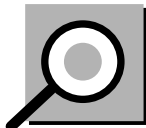
Procédure .....13-17

## Avant d'appeler le service ...

Fonctionnement normal.....18

Fonctionnement anormal.....18

Garantie .....19



## LIRE CE MANUEL

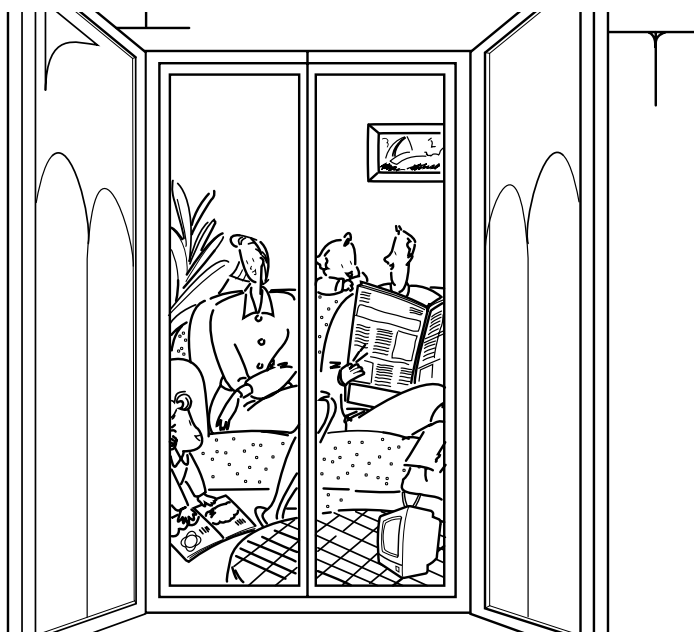
À l'intérieur vous trouverez beaucoup de conseils utiles sur la façon d'employer et d'entretenir votre climatiseur correctement. Juste un peu de soin préventif sur votre part peut sauver beaucoup de temps et d'argent au cours de la vie de votre climatiseur.

Vous trouverez beaucoup de réponses aux problèmes communs dans le diagramme de conseils de dépannage. Si vous passez en revue notre diagramme de Conseils de dépannage en premier, cela peut vous économiser d'appeler pour un réparateur..



## ATTENTION



- Contacter un technicien autorisé pour les réparations ou l'entretien de l'unité.
- le climatiseur n'est pas fait pour être utilisé par des enfants sans supervisions ou des invalides.
- Les jeunes enfants devraient être surveillés pour vous assurer qu'ils ne jouent pas avec le climatiseur.





# Précautions de sécurité

Pour éviter des blessures et des dégâts, les instructions suivantes doivent être suivies

■ Le sérieux est classifié comme ci-dessous.

	<b>AVERTISSEMENT</b> : Ce symbole indique les possibilités de mort ou de blessures sérieuses
	<b>ATTENTION</b> : Ce symbole indique la possibilité de blessures ou de dégâts à la propriété seulement.

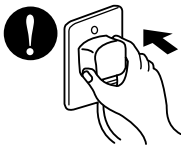
■ La signification des symboles utilisés dans ce manuel est montrée ci-dessous

	<b>Ne jamais faire ceci.</b>
	<b>Faire toujours ceci</b>

## ATTENTION

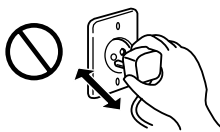
### Branchez correctement .

- Cela entraînera des décharges électriques ou des incendies dues à la génération de chaleur



### Ne jamais faire fonctionner ou arrêter l'unité en la débranchant de la prise.

- Cela entraînera des décharges électriques ou des incendies dues à la génération de chaleur.



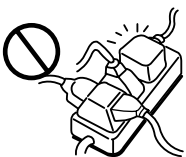
### Ne jamais utiliser un cordon électrique endommagé ou non spécifié.

- Cela provoquera des décharges électriques ou des incendies
- Si le cordon est endommagé. Il doit être remplacé par du personnel autorisé ou un centre de réparation agréé.



### Ne jamais utiliser un cordon endommagé ou partager avec d'autres articles électriques.

- Cela entraînera des décharges électriques ou des incendies dues à la génération de chaleur.



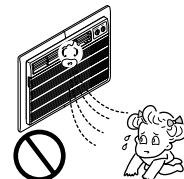
### Ne jamais faire fonctionner avec des mains humides ou dans un environnement humide.

- Cela provoquera des décharges électriques.



### Ne diriger pas le flux d'air directement vers les occupants.

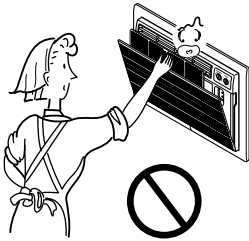
- Cela peut mettre en danger votre santé.



**ATTENTION**

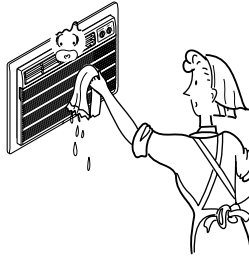
Lorsque vous retirez le filtre à air, évitez de toucher les parties métalliques.

- Elles sont pointues et risquent de vous blesser.



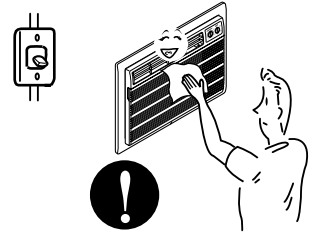
Ne pas nettoyer le climatiseur avec de l'eau.

- L'eau peut pénétrer et détruire l'isolation.



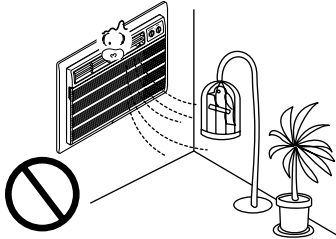
Pour le nettoyage, arrêtez le climatiseur et fermez le disjoncteur.

- Le ventilateur tourne à grande vitesse lors du fonctionnement, il peut causer des blessures.



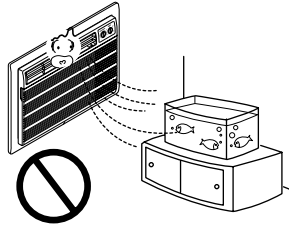
Ne mettez aucun animal ou plante dans la direction du flux d'air.

- Ceci peut mettre en danger l'animal ou les plantes.



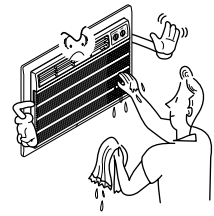
Ne pas utiliser pour des fins spéciales.

- Ne pas utiliser le climatiseur pour garder des instruments de précision, de la nourriture, des plantes et des objets d'art. La qualité peut être détériorée, etc.



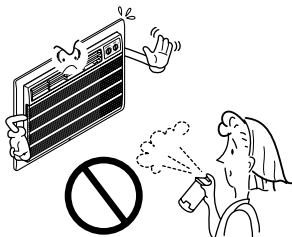
Ne pas toucher le bouton électrique avec des mains humides.

- Cela peut causer une décharge électrique.



N'appliquez pas un insecticide ou un pulvérisateur inflammable.


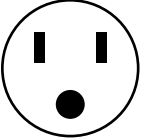
- Cela peut provoquer un incendie ou une déformation du coffret.



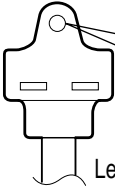


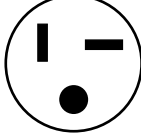


# Données Electriques

## Données électriques (Pour le modèle 115V)

Prise pour le Cordon électrique	Use Wall Receptacle	Courant
 <p>Sous aucune circonstance vous ne devez enlever pas les fiches de la prise de terre.</p> <p>Le cordon électrique est fourni avec une prise à trois fiches</p>	<p><b>Type Parallele</b></p>  <p>Standard 125V, une prise de terre à 3 fiches 15A, 125V AC</p>	<p>Utilisez un fusible temporisé 15 AMP ou un disjoncteur de 15 AMP</p>
<p><b>UTILISATION D'UNE RALLONGE</b> En raison des risques potentiels pour la sécurité n'employez pas de rallonge</p>		

## Données électriques (Pour le modèle 230/208V)

Prise du cordon électrique	Use Wall Receptacle	Courant
 <p>Sous aucune circonstance vous ne devez enlever pas les fiches de la prise de terre.</p> <p>Le cordon électrique est fourni avec une prise à trois fiches</p>	<p><b>Type Tandem</b></p>  <p>Standard 250V, une prise de terre à 3 fiches 15A, 250V AC</p>	<p>Utilisez un fusible temporisé 15 AMP ou un disjoncteur de 15 AMP</p>
 <p>Sous aucune circonstance vous ne devez enlever pas les fiches de la prise de terre.</p> <p>Le cordon électrique est fourni avec une prise à trois fiches</p>	<p><b>Type Perpendiculaire</b></p>  <p>Standard 250V, une prise de terre à 3 fiches 20A, 250V AC</p>	<p>Utiliser un fusible temporise de 20 AMP ou un disjoncteur. Référez-vous à la plaque pour un fusible correct.</p>

Tout le câblage devrait être fait selon des codes et les règlements électriques locaux.

**Remarque :** Le câblage en aluminium domestique peut poser des problèmes spéciaux. Consultez un électricien qualifié

### SECURITE ELECTRIQUE

#### INSTRUCTIONS IMPORTANTES DE PRISE DE TERRE

Le climatiseur a une prise de terre à trois-fiche sur son cordon électrique, qui doit être branchée correctement à la prise murale à trois fiches pour votre protection contre le risque de décharges électriques.

**FUSIBLE** – Employez un fusible ou un disjoncteur temporisé.

Référez-vous à la plaque signalétique pour l'alimentation électrique appropriée d'alimentation.

#### UNITÉS DE VOLT 208, 230, et 208/230

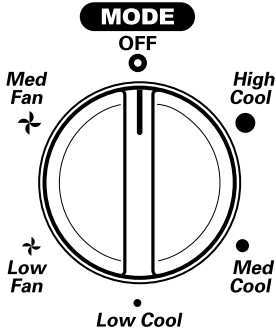
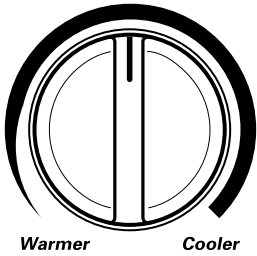
Ces unités sont équipées d'une prise à trois-fiches sur le cordon électrique qui doit être branchée correctement à une prise murale appropriée pour votre protection contre les décharges électriques. Si une telle prise n'hésite pas, elle doit être installée par un électricien qualifié selon le code électrique national et les codes, les ordonnances locaux.

# A propos des commandes du climatiseur

Les commandes seront comme suivant



Commande – seulement sur les modèles de refroidissement

 <p><b>MODE</b></p> <p>OFF</p> <p>Med Fan</p> <p>High Cool</p> <p>Low Fan</p> <p>Med Cool</p> <p>Low Cool</p>	<p>Off - Eteinds le climatiseur.</p> <p>Med Fan Only - Ventilation medium sans refroidissement.</p> <p>Low Fan Only - Ventilation faible sans refroidissement.</p> <p>High Cool - Refroidissement avec le ventilateur à grande vitesse.</p> <p>Med Cool - Refroidissement avec une ventilation medium.</p> <p>Low Cool - Refroidissement avec une ventilation faible</p>
 <p><b>TEMPERATURE</b></p> <p>Warmer</p> <p>Cooler</p>	<p>Ceci commande automatiquement la température de l'air intérieur. Tournez le bouton dans le sens des aiguilles d'une montre pour un plus refroidissement plus fort. Tournez le bouton dans le sens contraire des aiguilles d'une montre pour un refroidissement plus modéré</p>

A propos du climatiseur

## • POUR UN REFROIDISSEMENT NORMAL

1. Tournez le bouton MODE à **Med Cool**.
2. Positionnez le bouton de température Knob pour la température désirée (le point-du milieu est une bonne position de départ).  
Si la température ambiante n'est pas satisfaisante après un temps raisonnable, ajustez la commande pour un positionnement plus chaud ou plus froid, comme approprié.

## • POUR UN REFROIDISSEMENT MAXIMUM

1. Tournez le bouton MODE Knob à **High Cool**.
2. Tournez le bouton de température vers la droite pour une température plus froide .

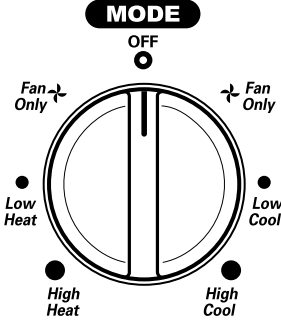
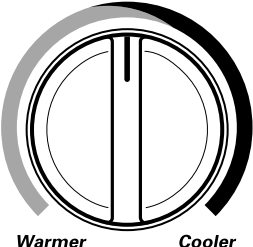
## • POUR UN FONCTIONNEMENT AILENCIEUX

1. Tournez le bouton de fonctionnement à **Low Cool**.
2. Tournez le bouton comme nécessaire .

Les commandes seront les suivantes:



## Commandes – Refroidissement & chauffage

	<p><b>MODE</b></p> <p>Off - Turns the air conditioner off.</p> <p>Fan Only - The low fan speed operation without cooling/heating.</p> <p>Low Cool - Cooling with the low speed fan operation.</p> <p>High Cool - Cooling with the high speed fan operation.</p> <p>Low Heat - Heating with the low speed fan operation.</p> <p>High Heat - Heating with the high speed fan operation.</p>
	<p><b>TEMPERATURE</b></p> <p>Tournez le bouton de température à la température désirée. La position centrale est une position normal pour des conditions moyennes. Vous pouvez changer, au besoin, selon votre préférence la température. Le thermostat commande automatiquement le refroidissement ou le chauffage, mais le ventilateur fonctionne sans interruption toutes les fois que le climatiseur est en fonction. Si la salle est trop chaude, tournez la commande de thermostat dans le sens des aiguilles d'une montre. Si la salle est trop fraîche, tournez la commande de thermostat dans le sens contraire des aiguilles d'une montre.</p>

Le compresseur se mettra en marche et s'arrêtera pour garder la salle à la température désirée. Pour le chauffage, le réchauffeur électrique se mettra et s'arrêtera pour garder la salle à la température désirée.

### ATTENTION

Quand le climatiseur a été actionné en mode de refroidissement ou de chauffage et qu'il est arrêté ou réglé à la position du ventilateur, attendez au moins 3 minutes avant de remettre en marche le refroidissement.

Une légère odeur de brûlé peut venir de l'unité lorsque le CHAUFFAGE se met en après la saison de refroidissement. Cette odeur provoquée par les particules fines de poussière sur le réchauffeur disparaîtra rapidement. C'est normal.

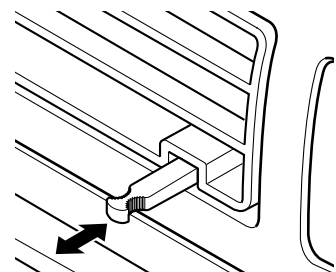
## Commandes supplémentaires et informations importantes

### Commande de ventilation

Poussez le levier dans la position "CLOSE" pour refroidir, chauffer ou recycler l'air de la pièce seulement.

Tirez le levier sur "OPEN" pour aspirer la fumée, l'air éventé de la salle.

Ce dispositif est mieux utilisé en même temps que la position FAN ONLY.



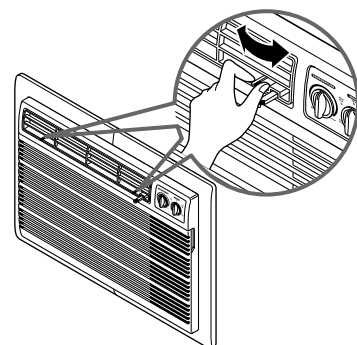
TIRER OUVRIR / POUSSER FERMER

### Direction de l'air

La direction de l'air peut être contrôlée en ajustant les auvents horizontaux et verticaux.

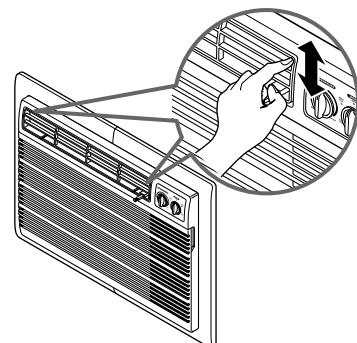
- **COMMANDE DE LA DIRECTION HORIZONTALE DE L'AIR**

La direction horizontale d'air est ajustée en déplaçant l'auvent vertical. Le levier pour l'auvent vertical est situé sur le côté droit et à gauche de la décharge d'air.



- **COMMANDE DE LA DIRECTION VERTICALE DE L'AIR**

La direction verticale d'air est ajustée en déplaçant l'auvent horizontal.



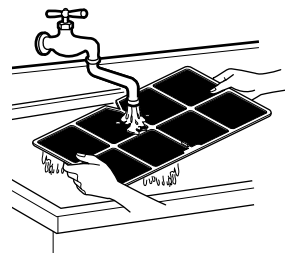
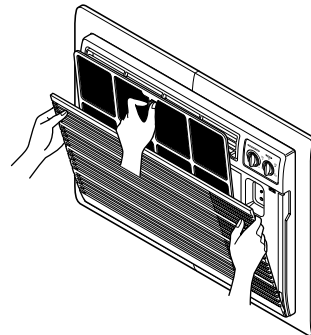
# Soins et entretien

Eteignez le climatiseur et débranchez-le.

## Nettoyage du filtre à air

Le filtre à air devrait être vérifié au moins deux fois un mois pour voir si le nettoyage est nécessaire. Les particules emprisonnées et accumulées dans le filtre bloqueront le flux d'air. Ceci réduit la capacité de refroidissement et peut également causer une accumulation de gel sur les serpentins de refroidissement. Si le filtre est déchiré ou endommagé vous devriez le remplacer immédiatement. Les filtres de rechange sont fournis par votre vendeur, revendeur, et les centres autorisés de service à la clientèle.

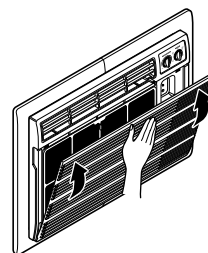
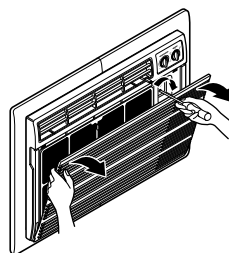
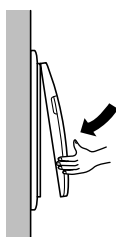
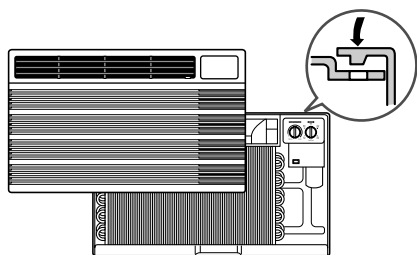
1. Ouvrez la grille d'admission vers le bas en saisissant les bords extérieurs supérieurs de la grille d'admission et en les tirant vers vous.
2. Enlevez le filtre à air de la grille avant en soulevant le filtre à air légèrement.
3. Lavez le filtre en utilisant de l'eau tiède et un détergent doux
4. Secouez doucement l'excès d'eau du filtre. Assurez-vous que le filtre est complètement sec et remplacez-le dans l'unité.



## Comment attacher la grille au coffret

La grille avant peut être enlevée pour le nettoyage ou vérifier le modèle et les numéros de série. Pour votre sécurité, vous devriez attacher la grille avant en utilisant les procédures suivantes.

1. Abaissez la grille avant à partir du haut de coffret.
2. Poussez vers l'avant les bouts de la grille vers le coffret afin d'insérer les pattes de la grille dans le coffret.
3. Ouvrez la grille d'admission.
4. Serrez la vis au travers de la grille avant dans la planche de la boîte de commandes.
5. Fermez la grille d'admission

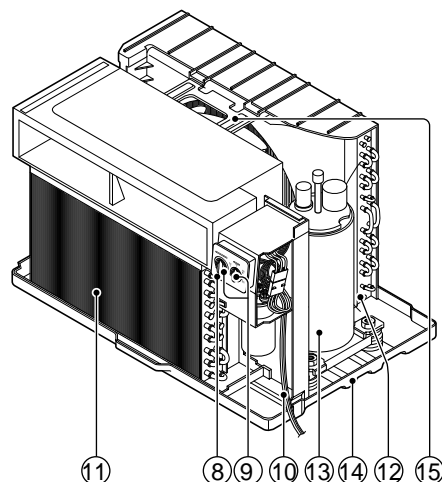
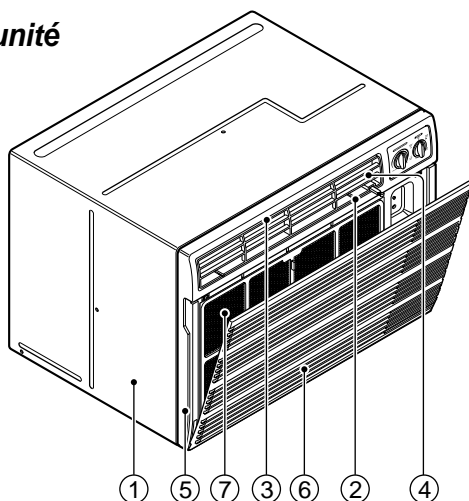


# Dispositifs

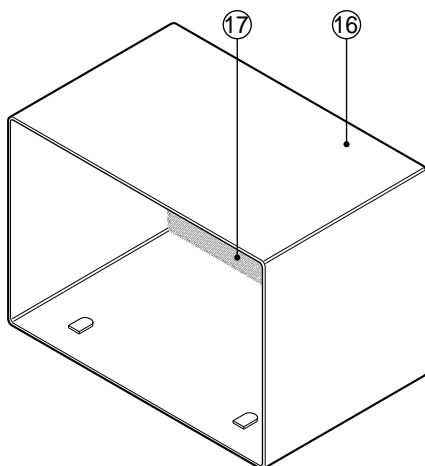
Apprendre le nom des pièces avant l'installation vous aidera à comprendre les procédures d'installation.

## Dispositifs

### L'unité



### Le manchon et la grille arrière (vendus séparément)



- |   |  |
|---|--|
| 1. COFFRET  | 10. CORDON ELECTRIQUE  |
| 2. DÉFLECTEUR D'AIR HORIZONTAL<br>(Auvent horizontal) | 11. EVAPORATEUR  |
| 3. DÉFLECTEUR D'AIR VERTICAL<br>(Auvent horizontal)   | 12. CONDENSATEUR   |
| 4. DÉCHARGE D'AIR                                     | 13. COMPRESSEUR  |
| 5. GRILLE AVANT                                       | 14. CUVETTE  |
| 6. GRILLE D'ADMISSION<br>(Entrée d'air)               | 15. CONTRE FICHE   |
| 7. FILTRE A AIR                                       | 16. MANCHON<br>(y compris la grille Aluminium arrière<br>expansée) |
| 8. TABLEAU DE COMMANDE                                | 17. GRILLE ARRIERE   |
| 9. BOUTONS  |  |

# Installation

Enlevez la feuille d'emballage, et les coins d'emballage et la bande bleue du climatiseur.

## CONDITIONS D'INSTALLATION

Si vous utilisez une douille existante du mur, vous devriez mesurer ses dimensions.

Installez le nouveau climatiseur selon Les instructions d'installation pour obtenir Une performance de l'unité.

Tous les machons de mur utilisés pour monter le nouveau climatiseur doivent être en bon état au niveau de la structure et avoir une grille arrière pour attacher solidement le nouveau climatiseur. (FIG. 1)

Avec le manchon FRIEDRICH USC, vous pouvez garder la meilleure performance du nouveau climatiseur. (FIG. 2)

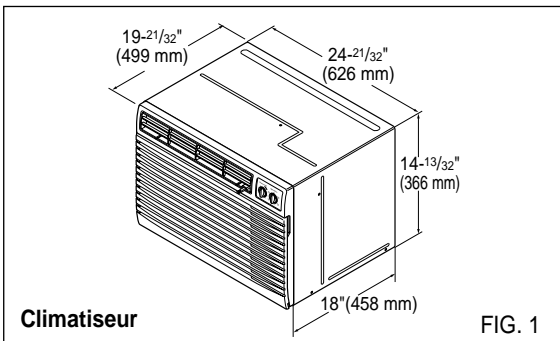


FIG. 1

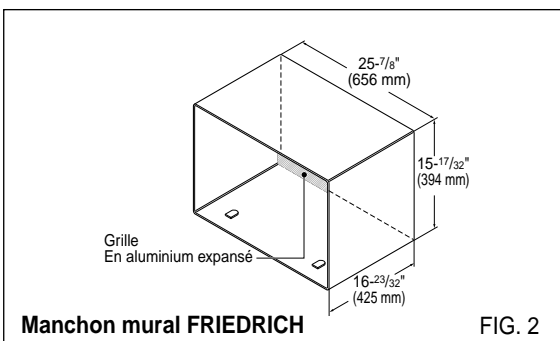


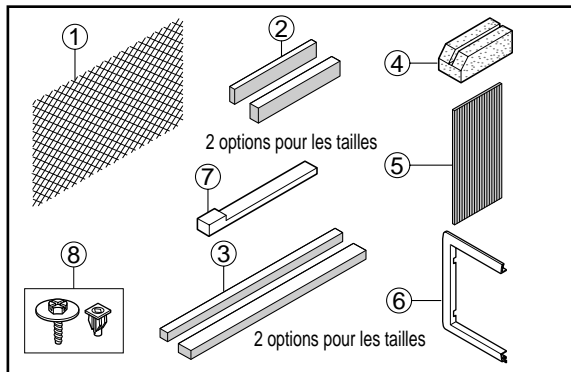
FIG. 2

## SERVICE ELECTRIQUE

Vérifiez votre service électrique disponible. L'alimentation d'énergie disponible doit être identique à celle montrée sur la plaque signalétique de l'unité (sur le côté gauche du coffret)

Tous les modèles sont équipés d'une prise à trois fiches pour fournir service approprié et une mise à terre. Ne changez pas la prise de quelque façon. N'utilisez pas un adaptateur. Si votre prise murale actuellen'assortit pas votre prise, appelez un électricien qualifié pour faire les corrections nécessaires. GARDEZ LE CARTON pour le stockage et le MANUEL de L'UTILISATEUR pour DE future référence. Le carton est la meilleure manière de stocker l'unité pendant l'hiver ou quand il n'est pas en service.

## MATERIEL D'INSTALLATION



ART.	NOM DES PIECES	Q'TY
①	GRILLE DE PLASTIQUE	1
②	BANDES LATERALES D'ISOLATION	2
③	BANDES D'ISOLATIONS CIRCULAIRES	2
④	BLOCK DE SOUTIEN	2
⑤	CHICANE	1
⑥	CADRE DE MOULURE	2
⑦	CALE	2
⑧	VIS RONDELLE ET ECROUS DE PLASTIQUE	4

## ATTENTION

Pour éviter le risque de blessures, de dégâts matériels, ou dommages du produit dus au poids des dispositifs et des bords pointus qui peuvent être exposés:

- Les climatiseurs couverts dans ce manuel posent un problème de poids excessif. Deux personnes ou plus sont nécessaires pour déplacer et installer l'unité. Pour empêcher des dommages ou des elongations, employez les techniques de levage appropriées en déplaçant l'unité.
- Inspectez soigneusement l'endroit où le climatiseur sera installé. Soyez sûr qu'il soutiendra le poids de l'unité sur une période prolongée.
- Manipuler le climatiseur avec soin. Portez les gants protecteurs toutes les fois que vous soulevez l'unité. ÉVITEZ les coins de métal pointus des enroulements avant et arrière.
- Assurez-vous que le climatiseur ne tombe pas pendant l'installation.

## OUTILS NECESSAIRES :

- Gants convenables serrés
- Tournevis standard
- Tournevis Phillips
- Pincés
- Couteau tranchant
- 3/8-inch clés plates ou réglable Clé
- 1/4-inch clés pour vis à six pans et à cliquet
- Centimètre
- Chignole électrique
- 1/4-inch Trépan

# INSTALLATION



## ATTENTION

Nous recommandons fortement de retirer l'ancien manchon mural et d'installer un nouveau manchon mural FRIEDRICH USC

Si vous décidez de garder le manchon mural existant, vous devez réorienter les auvents du manchon mural. L'utilisation des pinces est recommandée. Si vous ne REORIENTEZ PAS, vous courez le risque d'une faible performance ou une panne du produits prématurés. Ceci n'est pas couvert en vertu de la garantie de FRIEDRICH.

- Sélectionnez un endroit qui permettra au climatiseur de souffler dans le secteur que vous voulez. Une bonne installation avec une attention particulière à la position appropriée de l'unité diminuera la chance de devoir appeler un réparateur.

### COMPOSITION DU MATREIL D'INSTALLATION

Vous pouvez ne pas avoir besoin de toutes les pièces dans le kit. Jetez les pièces inutilisées

ARTICLE	DIMENSIONS(inches)	Qty.
Grille de plastique	26 <sup>3</sup> / <sub>4</sub> x 16 <sup>1</sup> / <sub>2</sub>	1
Bandes horizontales d'isolation	1 <sup>3</sup> / <sub>8</sub> x 5 <sup>5</sup> / <sub>8</sub> x 27 <sup>3</sup> / <sub>16</sub>	1
	1 <sup>3</sup> / <sub>8</sub> x 1 <sup>3</sup> / <sub>8</sub> x 27 <sup>3</sup> / <sub>16</sub>	1
Bandes d'isolation circulaire	1 <sup>3</sup> / <sub>8</sub> x 3 <sup>3</sup> / <sub>4</sub> x 61 <sup>1</sup> / <sub>2</sub>	1
	1 <sup>3</sup> / <sub>8</sub> x 1 <sup>3</sup> / <sub>8</sub> x 61 <sup>1</sup> / <sub>2</sub>	1
Block de support	1 <sup>3</sup> / <sub>4</sub> x 1 <sup>3</sup> / <sub>8</sub> x 4 <sup>5</sup> / <sub>16</sub>	2
Chicane	14 x 4 <sup>1</sup> / <sub>2</sub> x 1 <sup>1</sup> / <sub>8</sub>	1
Cale	13 x 1 x 3 <sup>3</sup> / <sub>4</sub>	2
Châssis de contour		2
Rondelle et vis		4
Ecrous(Plastique)		4

### COMMENT INSTALLER

- 1 Avant d'installer l'unité, identifiez le manchon mural de la liste ci-dessous.

Marque	Dimensions du manchon (inches)		
	Largeur	Hauteur	Profondeur
White-Westinghouse Frigidaire Carrier (52F series)	25-1/2	15-1/4	16, 17-1/2 or 22
General Electric /Hotpoint	26	15-5/8	16-7/8
Whirlpool	25-7/8	16-1/2	17-1/8 or 23
Fedders/Emerson Friedrich WSC	27	16-3/4	16-3/4 or 19-3/4
FRIEDRICH USC	25-7/8	15-17/32	16-23/32
Emerson/Fedders	26-3/4	15-3/4	15
Carrier (51S Series)	25-3/4	16-7/8	18-5/8

**REMARQUE :** Tous les manchons muraux utilisaient pour monter le nouveau climatiseur doit être en bon état et avoir une grille arrière attachée solidement au manchon, ou à la bride arrière qui sert d'arrêt au climatiseur.

- 2 Enlevez le vieux climatiseur du manchon mural existant
- 3 Nettoyez l'intérieur du manchon existant. (Ne pas déranger pas les joints ou les garnitures.)
- 4 Le manchon mural doit être solidement attaché au mur avant d'installer le climatiseur. Utilisez les clous ou les vis à travers le manchon dans le mur, si nécessaire. Peignez le manchon si nécessaire.
- 5 Préparez le manchon du mur pour l'installation de l'unité. Si vous projetez d'utiliser votre manchon existant, et qu'il n'est pas FRIEDRICH, employez le procédé B ou C ci-dessous

Procédure	Marque	Profondeur (inches)
A (page 13)	FRIEDRICH USC	16-23/32
B (pages 14-15)	White-Westinghouse Frigidaire Carrier (52F séries)	16, 17-1/2 or 22
	General Electric /Hotpoint	16-7/8
	Whirlpool	17-1/8 or 23
	Carrier (51S séries)	18-5/8
C (pages 16-17)	Fedders/Emerson	16-3/4
	Friedrich WSC	or 19-3/4
	Emerson/Fedders	15

- 6 Installer la nouvelle unité dans le manchon mural.

**ATTENTION :** Quand l'installation est complète, l'unité de rechange DOIT avoir une inclinaison vers le bas en arrière comme montré ci-dessous.

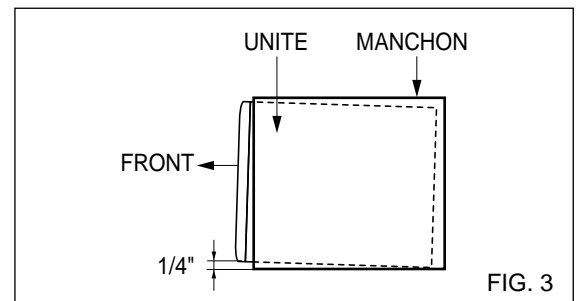


FIG. 3



## PROCEDURE A

- 1** Si vous utilisez le nouveau manchon fourni avec votre unité, sautez à l'étape 3. Autrement, installez la grille en plastique du kit. Coupez la grille de plastique 25-1/2" soit 64 cm de large et" de 15-1/4 soit 38 cm de haut Placez la grille en plastique à l'intérieur du manchon à la bride arrière.

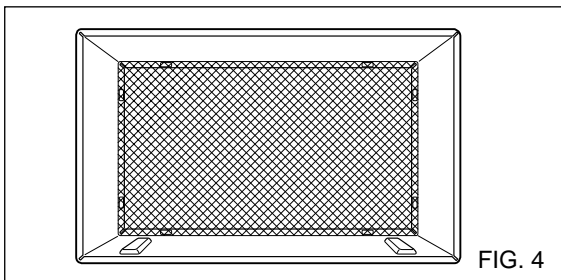


FIG. 4

- 2** Attachez les 4 vis de rondelle pour fixer la grille au manchon du mur. Si vous avez besoin d'écrous en plastique pour monter la grille en plastique à l'intérieur du manchon du mur, des écrous en plastique sont dans le kit d'installation Les écrous sont installés à l'intérieur du manchon et sont serrés dans les trous carrés des brides arrière.

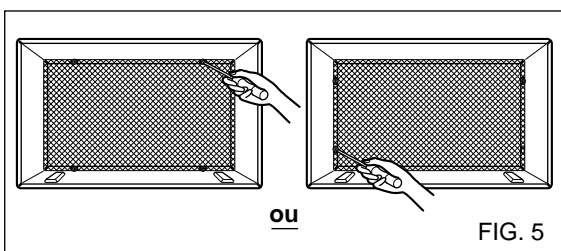


FIG. 5

- 3** Enlevez le film protecteur de la bande d'isolation horizontale 1 3/8" x 5/8" x 27 3/16" et attachez cela au fond intérieur de la douille comme montré ci-dessous. Enlevez le support autour de la bande 1 3/8" x 3/4" x 61 1/2" d'isolation et attachez cela à l'avant intérieur du manchon comme montré ci-dessous.

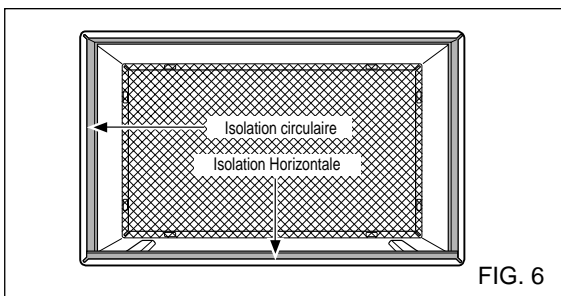


FIG. 6

- 4** Installez la nouvelle unité dans le manchon mural.

- 5** Pour assembler la moulure, cassez la patte de chaque morceau dans la fente de l'autre morceau comme montré ci-dessous. Glissez la moulure au-dessus de l'avant du climatiseur jusqu'à ce qu'elle affleure au manchon comme montré ci-dessous.

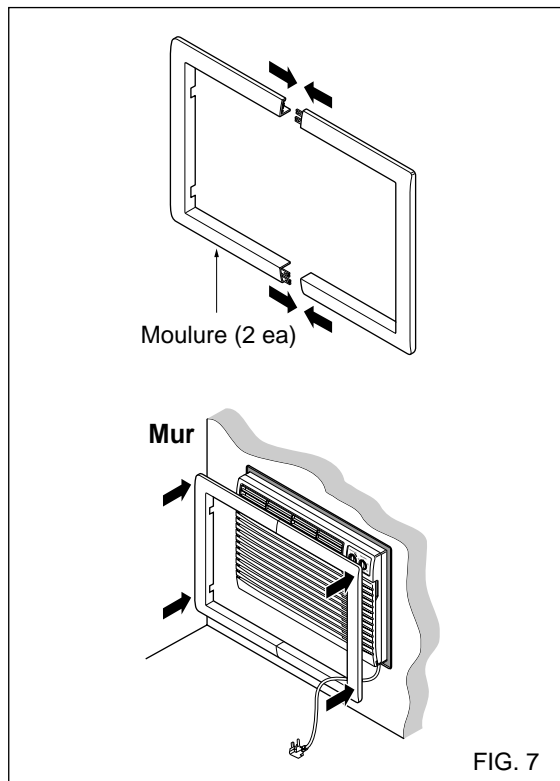


FIG. 7

### ATTENTION

- Les climatiseurs couverts dans ce manuel posent un problème de poids. Deux personnes ou plus sont nécessaires pour déplacer et installer l'unité. Pour éviter des blessures ou d'élongations employez les techniques de levage appropriées en déplaçant l'unité. .
- En manipulant le climatiseur, faites attention d'éviter les coins de métal pointus de l'enroulement avant et arrière
- Assurez-vous que le climatiseur ne tombe pas lors de la pose.

## PROCEDURE B

- 1** Réorientez les auvents au dos du manchon à un angle de 60° comme montré dans la FIG 8. L'utilisation des pinces est recommandée.

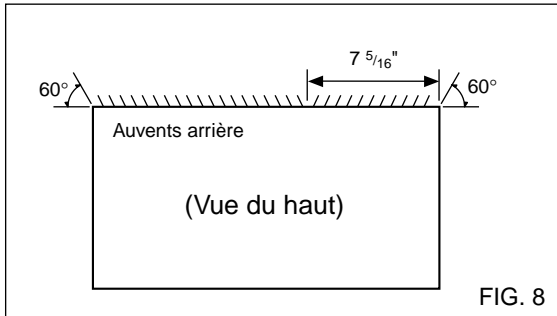


FIG. 8

- 2** Si le manchon du mur a déjà une grille arrière, sautez à l'étape 4. Si le manchon de mur n'a pas de grille arrière ou un panneau à abat-sons, installez la grille en plastique du kit. Coupez la grille en plastique de 25-1/2" de large et à 15-1/4 de haut ou aux dimensions du manchon. Placez la grille en plastique à l'intérieur du manchon à la bride arrière.

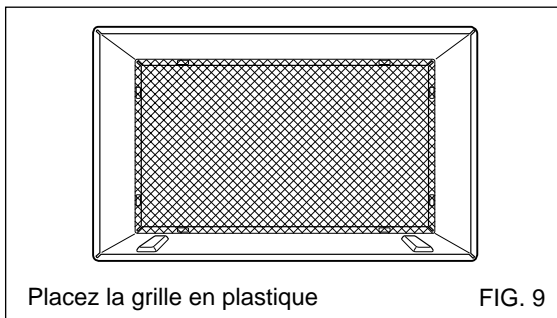


FIG. 9

- 3** Attachez les 4 vis à rondelle pour fixer la grille au manchon du mur. Si vous avez besoin d'écrous en plastique pour monter la grille en plastique à l'intérieur du manchon, il y a les écrous en plastique dans le kit d'installation. Les écrous sont installés à l'intérieur du manchon et sont serrés dans les trous carrés des brides arrière.

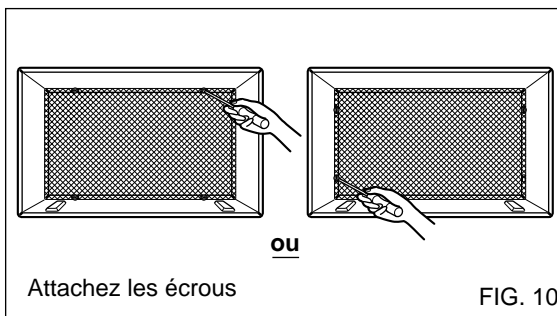


FIG. 10

- 4** Enlevez le film protecteur de la bande d'isolation horizontale 1 3/8" x 3/4" x 27 3/16" et attachez cela au bas intérieur du manchon comme montré ci-dessous. Enlevez le film protecteur de la bande d'isolation circulaire 1 3/8" x 3/4" x 6 1/2" et attachez la à l'avant intérieur du manchon comme montré ci-dessous.

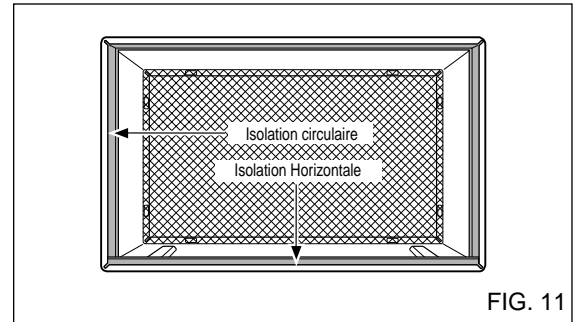


FIG. 11

- 5** Si la profondeur de votre manchon existant est inférieure ou égale à 18", sautez à l'étape 7. Autrement, coupez les cloisons et les blocs de soutien selon la longueur "A" de la table ci-dessous.

Profondeur "D" du manchon existant (inches)	Longueur "A" (inches)
18 < D ≤ 18-5/8	3/4
18-5/8 < D ≤ 19-3/4	1-3/4
19-3/4 < D ≤ 22	4

FIG. 12

- 6** Retirez le dos des blocs de support, attachez-les à l'intérieur du manchon comme montré à la FIG 9. Glissez la cloison dans des fentes de blocs de soutien

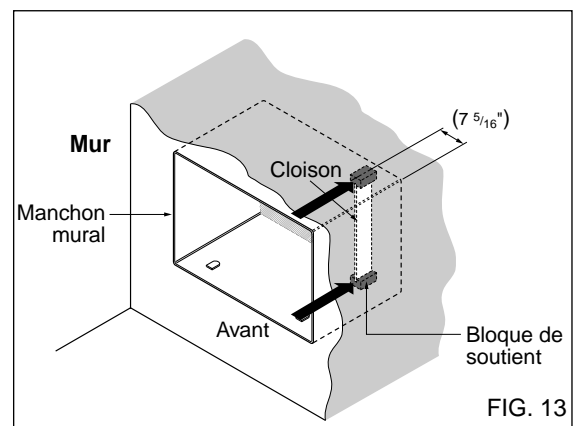
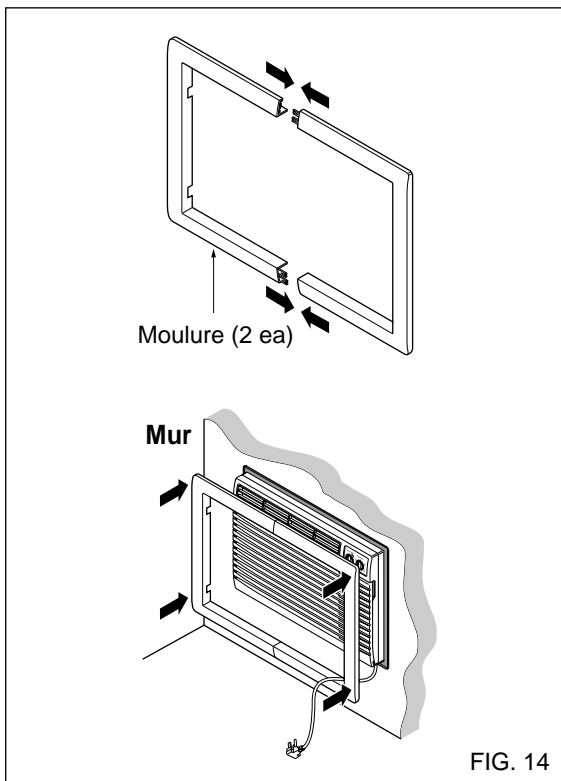


FIG. 13

- 7** Installez la nouvelle unité dans le manchon.

## PROCEDURE B

- 8** Pour assembler la moulure, cassez la patte de chaque morceau dans la fente de l'autre morceau comme montré ci-dessous. Glissez la moulure au-dessus de l'avant du climatiseur jusqu'à ce qu'elle affleure au manchon comme montré ci-dessous.



### **ATTENTION**

- Les climatiseurs couverts dans ce manuel posent un problème de poids. Deux personnes ou plus sont nécessaires pour déplacer et installer l'unité. Pour éviter des blessures ou d'élongations employez les techniques de levage appropriées en déplaçant l'unité. .
- En manipulant le climatiseur, faites attention d'éviter les coins de métal pointus de l'enroulement avant et d'arrière.
- Assurez-vous que le climatiseur ne tombe pas lors de la pose.

## PROCEDURE C

- 1** Réorientez les auvents au dos du manchon à un angle de  $60^\circ$  comme montré dans la FIG 15. L'utilisation des pinces est recommandée.

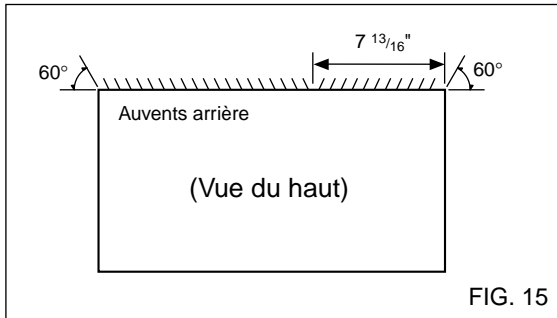
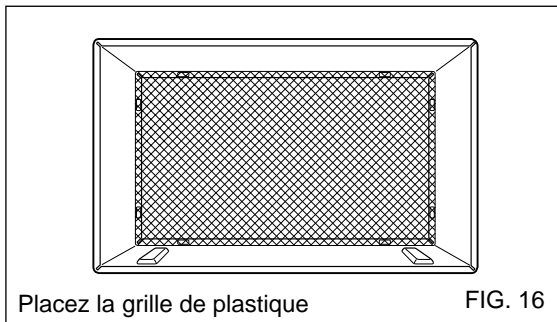


FIG. 15

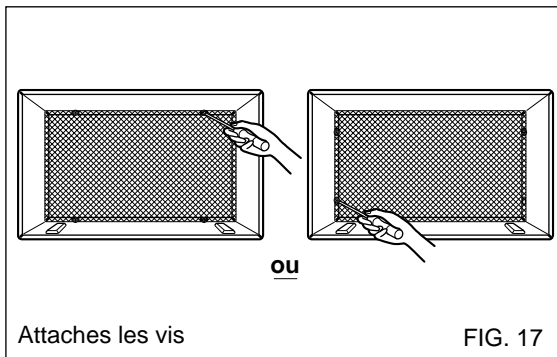
- 2** Si le manchon du mur a déjà une grille arrière, sautez à l'étape 4. Si le manchon de mur n'a pas de grille arrière ou un panneau à abats-sons, installez la grille en plastique du kit. Coupez la grille en plastique de  $26\frac{1}{2}$ " de large et à  $15\frac{1}{2}$ " de haut ou aux dimensions du manchon. Placez la grille en plastique à l'intérieur du manchon à la bride arrière.



Placez la grille de plastique

FIG. 16

- 3** Attachez les 4 vis à rondelle pour fixer la grille au manchon du mur. Si vous avez besoin d'écrous en plastique pour monter la grille en plastique à l'intérieur du manchon, il y a des écrous en plastique dans le kit d'installation. Les écrous sont installés à l'intérieur du manchon et sont serrés dans les trous carrés des brides arrière.



Attaches les vis

FIG. 17

- 4** Enlevez le film protecteur de la bande d'isolation horizontale  $1\frac{3}{8}" \times \frac{5}{8}" \times 27\frac{3}{16}"$  et attachez la au bas intérieur du manchon comme montré ci-dessous. Enlevez le film protecteur a de la bande d'isolation circulaire  $1\frac{3}{8}" \times \frac{3}{4}" \times 61\frac{1}{2}"$  et attachez l'à l'avant intérieur du manchon comme montré ci-dessous.

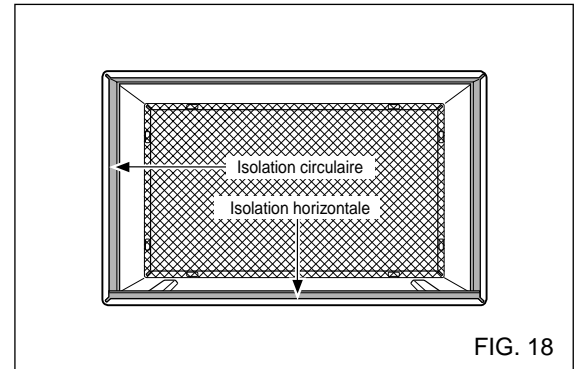


FIG. 18

- 5** Si la profondeur de votre manchon existant est inférieure ou égale à 18", sautez à l'étape 7. Autrement, coupez les cloisons et les blocs de soutien selon la longueur "A" de la table ci-dessous

Profondeur "D" du manchon existant (inches)	Longueur "A" (inches)
$18 < D \leq 18\text{-}\frac{5}{8}$	$\frac{3}{4}$
$18\text{-}\frac{5}{8} < D \leq 19\text{-}\frac{3}{4}$	$1\text{-}\frac{3}{4}$
$19\text{-}\frac{3}{4} < D \leq 22$	4

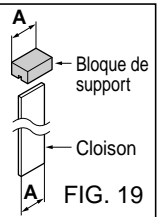


FIG. 19

- 6** Retirez le dos des blocs de support attachez-les à l'intérieur du manchon comme montré à la FIG 20. Glissez le cloison dans des fentes de blocs de soutien.

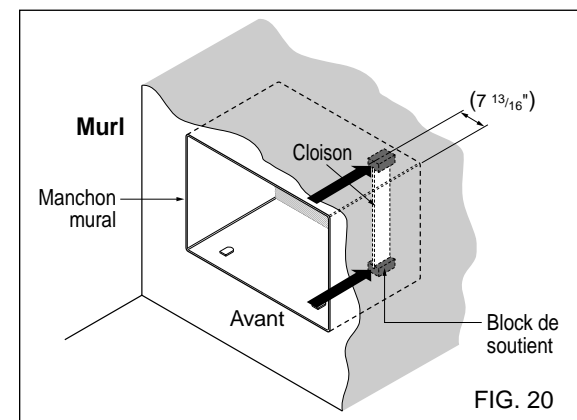
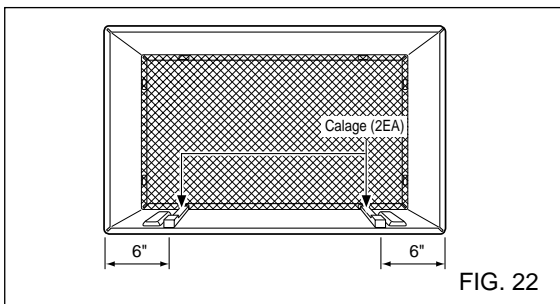
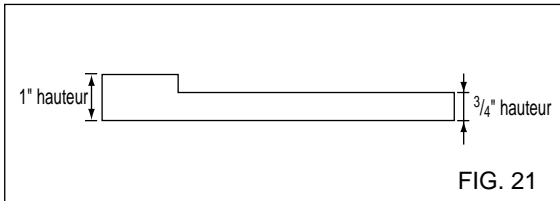


FIG. 20

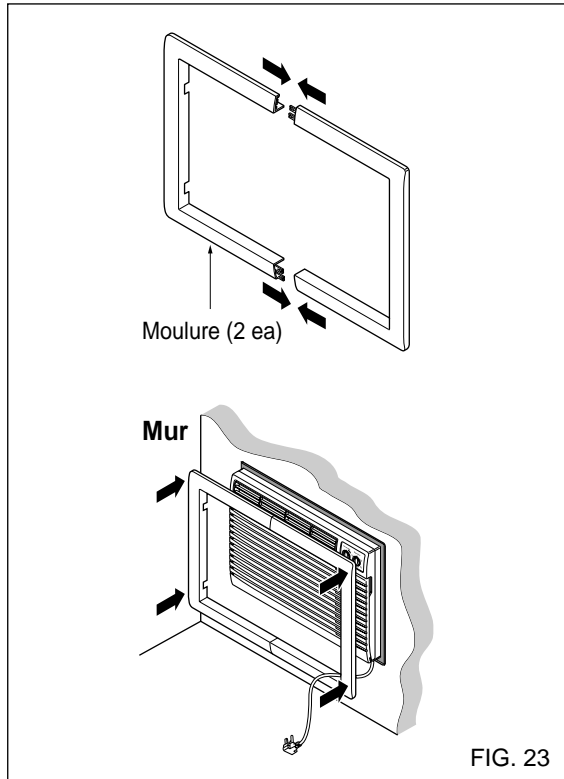
## PROCEDURE C

- 7** Retirer le film protecteur des bandes de calages 13 w et attachez-les comme montré à la Fig. 22. La partie supérieure du calage doit être place à l'avant de la nervure du manchon.



- 8** Installez la nouvelle unité dans le manchon.

- 9** Pour assembler la moulure, cassez la patte de chaque morceau dans la fente de l'autre morceau comme montré ci-dessous. Glissez la moulure au-dessus de l'avant du climatiseur jusqu'à ce qu'elle affleure au manchon comme montré ci-dessous.



### ⚠ ATTENTION

- Les climatiseurs couverts dans ce manuel posent un problème de poids. Deux personnes ou plus sont nécessaires pour déplacer et installer l'unité. Pour éviter des blessures ou d'élongations employez les techniques de levage appropriées en déplaçant l'unité. .
- En manipulant le climatiseur, faites attention d'éviter les coins de métal pointus des enroulements avant et arrière.
- Assurez-vous que le climatiseur ne tombe pas lors de la pose.

# Avant d'appeler pour un réparateur...

Les conseils de dépannage peuvent économiser du temps et de l'argent !  
Passez en revue le diagramme ci-dessous et vous pouvez éviter d'avoir  
appeler un réparateur.

## Fonctionnement Normal

- Vous pouvez entendre un bruit provoqué par la collecte et le rejet de l'eau contre le condensateur les jours de pluie ou quand l'humidité est élevée. La caractéristique de cette conception aide à enlever l'humidité et améliorer l'efficacité.
- Vous pouvez entendre le thermostat cliqueter quand le compresseur se met en marche ou s'arrête.
- L'eau s'écoulera dans la cuvette pendant la période de haute humidité ou des jours de pluie. L'eau peut déborder et s'égoutter du côté extérieur de l'unité.
- Le ventilateur peut fonctionner même lorsque le compresseur n'est pas marche.

## Fonctionnement anormal

Problème	Causes possibles	Que faire
<b>Le climatiseur ne démarre pas</b>	■ <i>Le climatiseur est débranché.</i>	• Assurez-vous que la prise du climatiseur est enfoncée complètement dans prise de courant.
	■ <i>Le fusible est grillé/ le disjoncteur est coupé.</i>	• Vérifiez que la boîte de fusible /et du disjoncteur et remplacez les fusibles ou remettez le disjoncteur.
	■ <i>Panne d'électricité.</i>	• Si la panne de courant se produit, tournez la commande du mode d'arrêt (OFF). Lorsque le courant est revenu attendre 3 minutes pour remettre en marche le climatiseur pour empêcher le déclenchement du compresseur surchargé.
<b>Le climatiseur ne refroidit pas comme il devrait</b>	■ <i>Le flux d'air est obstrué.</i>	• Assurez-vous qu'il n'y a aucun rideau, abat-jour, ou meubles bloquant l'avant du climatiseur.
	■ <i>Le THERMOSTAT est n'est peut-être pas mis assez haut</i>	• Tournez le bouton à droite pour une température plus fraîche. La position sur froid fournit le refroidissement maximum.
	■ <i>Le filtre à air est sale</i>	• Nettoyez le filtre au moins chaque 2 semaines. Voir la section pour les instructions de fonctionnement.
	■ <i>La pièce est peut être sur chauffée</i>	• Lorsque le climatiseur est mis en marche pour la première fois, vous devez attendre u moment avant que la pièce se refroidisse.
	■ <i>L'air froid s'échappe</i>	• Vérifiez pour les calorifères ouverts et les retours d'air • Placez le passage du climatiseur dans la position fermée.
	■ <i>Le réfrigérant en serpentín est plein de glace</i>	• Voir le givrage du climatiseur ci-dessous
<b>Le climatiseur gèle</b>	■ <i>De la glace bloque le passage de l'air et empêche le climatiseur de refroidir la pièce.</i>	• Tournez la commande à Med Fan (venti. Medium) ou HighCool (Haut refroidissement) avec le thermostat vers la gauche



FRIEDRICH AIR CONDITIONING CO.  
Post Office Box 1540 • San Antonio, Texas 78295-1540  
(210) 357-4400 • FAX (210) 357-4480

## Garantie limitée – Climatiseurs Friedrich

### GARANTIE LIMITÉE -PREMIÈRE ANNÉE

**TOUTES LES PIÈCES** - Si, dans les 12 mois suivant la date d'achat initial, une pièce fournie par FRIEDRICH est défectueuse à cause d'un défaut de main d'oeuvre ou de matériel, FRIEDRICH réparera le produit gratuitement, pourvu qu'il soit raisonnablement facile d'obtenir accès au climatiseur pour le réparer. Toute main d'oeuvre nécessaire pour déposer des appareils d'accès difficile et/ou les frais de déplacement (kilométrage) par le centre de réparation, au delà de 25 miles (40km) dans une seule direction, sont la responsabilité du propriétaire. Ce remède est expressément accepté comme le seul remède dans les 12 mois suivant la date d'achat initial.

### GARANTIE LIMITÉE -DEUXIÈME À CINQUIÈME ANNÉE

**SYSTEME DE RÉFRIGÉRATION ÉTANCHE** - Si le système de réfrigération étanche (dans le cadre de cette garantie, défini comme le compresseur, le serpentin de condenseur, le serpentin d'évaporateur, la vanne d'inversion, le clapet de non-retour, le tube capillaire, le filtre-déshydrateur et tous leurs tubes de raccordement) faisant partie du climatiseur FRIEDRICH est défectueux à cause d'un défaut de main d'oeuvre ou de matériel dans les 60 mois à compter de la date d'achat initial, FRIEDRICH paiera une allocation pour les frais de main d'oeuvre et les pièces nécessaires pour réparer le système de réfrigération étanche. FRIEDRICH ne paiera pas pour les frais de diagnostic du problème, de dépose, de transport du climatiseur jusqu'au centre de réparation et de retour ni les frais de repose associés à la réparation du système de réfrigération étanche. Tous ces frais sont à la charge du propriétaire. Ce remède est expressément accepté comme le seul remède dans les 60 mois suivant la date d'achat initial.

**CONDITIONS D'APPLICATION ET LIMITATIONS** - Cette garantie s'applique à tous les appareils vendus au détail aux États-Unis, dans le District de Columbia et au Canada. Cette garantie ne s'applique pas :

1. aux filtres à air ni aux fusibles ;
2. aux produits dont le numéro de modèle et le numéro de série ont été enlevés ;
3. aux produits dont les défauts ou dégâts ont été causés par une mauvaise installation, un mauvais câblage, l'alimentation avec une mauvaise tension ou par un mauvais entretien ; ni causés par un accident, une mauvaise utilisation ou des abus, un incendie, des inondations, des modifications et/ou une mauvaise application du produit et/ou des appareils installés dans une atmosphère corrosive, problèmes ou délais de réparation causés par actes de guerre, des restrictions ou limitations par le gouvernement, des grèves, des manquements de matériel en dehors du contrôle de FRIEDRICH ou par des cas de force majeure.

**OBTENTION DE RÉPARATION SOUS GARANTIE** - Le service sera fourni par un distributeur agréé par FRIEDRICH ou un centre de réparation dans la région. Ils sont indiqués dans les Pages Jaunes. S'il faut de l'assistance pour obtenir des réparations sous garantie, écrire à Room Air Conditioner Service Manager, Friedrich Air Conditioning Co., P.O. Box 1540, San Antonio, Texas 78295-1540.

**LIMITATIONS - CETTE GARANTIE A ÉTÉ DONNÉE EN REMPLACEMENT DE TOUTE AUTRE GARANTIE. Indépendamment de cette garantie, TOUTE GARANTIE SOUS-ENTENDUE D'APPLICATION POUR UN BUT PARTICULIER ET/OU DE VENDABILITÉ EST LIMITÉE À LA DURÉE DE LA GARANTIE EXPRESSE. LE FABRICANT SPÉCIFIQUEMENT DÉCLINE ET REFUSE TOUTE RESPONSABILITÉ POUR LES DOMMAGES INDIRECTS OU SECONDAIRES POUR INEXÉCUTION DE TOUTE GARANTIE EXPRESSE OU SOUS-ENTENDUE.**

**REMARQUE** - Certaines provinces ne permettent pas les limitations sur la longueur de la garantie sous-entendue ou ne permettent pas la limitation ni l'exclusion des dommages indirects ou secondaires, il est donc possible que ces exclusions et limitations ne s'appliquent pas à un cas spécifique.

**AUTRE** - Cette garantie donne des droits spécifiques et il est possible que le propriétaire ait d'autres droits qui varient d'une province à l'autre.

**PREUVE D'ACHAT** - Le propriétaire doit fournir la preuve d'achat pour pouvoir recevoir des services sous garantie.

Tous les appels pour expliquer le fonctionnement de ce produit sont à la charge du consommateur.

Toute réparation sous garantie doit être faite par un agent de réparation agréé par FRIEDRICH, sauf en cas d'autorisation préalable par FRIEDRICH.

En cas de question concernant les clauses de cette garantie, la version en anglais a priorité.

Revised 0801

# Nota

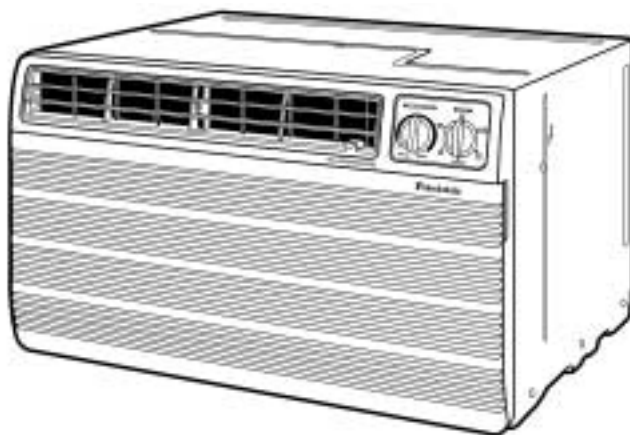
---

A series of horizontal dotted lines for writing notes.



# **Friedrich®**

## **Guía de instalación y funcionamiento**



### **Serie “En pared”**

**115 Voltios • UE08 • US08 • US10 • US12**

**230 Voltios • US10 • UE10 • US12 • UE12**

Los datos acerca del modelo se encuentran en la placa ubicada en la parte delantera de la unidad.

Para registrar su solicitud, rellene la tarjeta de registro que se adjunta y envíela o regístrela online en [www.friedrich.com](http://www.friedrich.com) (sólo para EE.UU.).

Anote los datos del modelo para que le resulte más fácil encontrarlos en el futuro.

MODEL NUMBER

SERIAL NUMBER

PURCHASE DATE

**Precauciones de seguridad**

Precauciones de seguridad .....3

**Datos eléctricos**

Datos eléctricos.....5

**Acerca de los controles del aire acondicionado**

Controles.....6

Control de la ventilación.....8

Dirección del aire .....8

**Cuidado y mantenimiento**

Limpieza del filtro de aire ...9

Acople de la rejilla delantera a la cabina .....9

**Funciones e instalación**

Funciones.....10

Instalación .....11

Proceso de instalación.....11

Procedimiento ..... 13-17

**Antes de llamar al servicio de reparación...**

Funcionamiento normal.....18

Funcionamiento irregular...18

Garantía.....19

**LEA ESTE MANUAL**

En este manual encontrará indicaciones útiles acerca de la correcta utilización y mantenimiento del aire acondicionado. Si trata con atención y realiza un mantenimiento preventivo de las piezas, le puede resultar de gran ayuda para ahorrar tiempo y dinero, así como para prolongar la utilización del aire acondicionado.

También encontrará respuestas a los problemas más comunes que se recogen en la tabla

de resolución de problemas. Si primero revisa la tabla de resolución d problemas, es posible que no tenga que llamar al centro de reparaciones.

**ATENCIÓN**

- Contacte con el centro de reparaciones autorizado para reparar o mantener esta unidad.
- El aparato no lo deben utilizar niños o personas enfermas que no se encuentren bajo supervisión.
- Los niños deben estar bajo supervisión para asegurarse de que no juegan con el aparato.



# Precauciones de seguridad

Siga estas instrucciones para que no se produzcan daños en la propiedad ni daños personales.

- Se pueden producir daños si se utiliza el aparato de forma incorrecta al desconocer las instrucciones. Las siguientes indicaciones clasifican la gravedad.



**ADVERTENCIA** : Este símbolo indica la posibilidad de muerte o daños serios.



**ATENCIÓN** : Este símbolo indica la posibilidad de daños en la propiedad o daños personales.

- Los símbolos que aparecen en este manual significan lo siguiente.



**No lo realice nunca.**



**Hágalo siempre.**

## ⚠️ ADVERTENCIA ⚠️

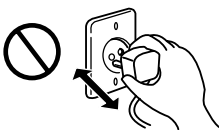
**Conecte el enchufe adecuadamente.**

- De lo contrario, se pueden producir sacudidas eléctricas o fuegos debido a la generación de calor.



**No utilice la unidad ni la pare introduciendo o tirando del enchufe.**

- Se pueden producir sacudidas eléctricas o fuegos debido a la generación de calor.



**No dañe ni utilice un cable que no esté homologado.**

- Se pueden producir sacudidas eléctricas o fuego.
- Si el cable de alimentación se encuentra dañado, lo debe sustituir el fabricante o un centro de reparaciones autorizado.



**No cambie la longitud del cable de alimentación ni comparta la salida con otros aparatos.**

- Se pueden producir sacudidas eléctricas o fuegos debido a la generación de calor.



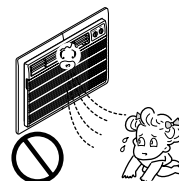
**No utilice la unidad con las manos mojadas o en un entorno húmedo.**

- Se pueden producir sacudidas eléctricas.



**No dirija el flujo de aire directamente a las personas que haya en la habitación.**

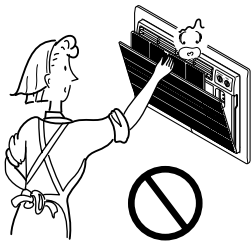
- Su salud se puede ver afectada.



**ATENCIÓN**

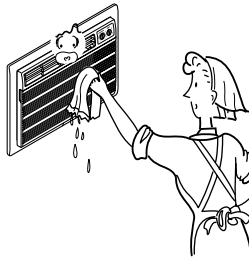
**No toque las piezas metálicas de la unidad si va a quitar el filtro de aire.**

- Estas piezas son afiladas y pueden provocar daños.



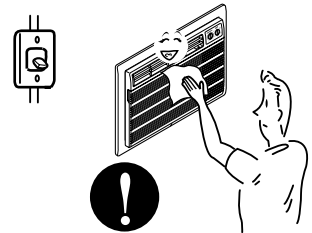
**No limpie el aire acondicionado con agua.**

- Se puede introducir agua en la unidad y deteriorar el aislamiento. Se pueden producir sacudidas eléctricas.



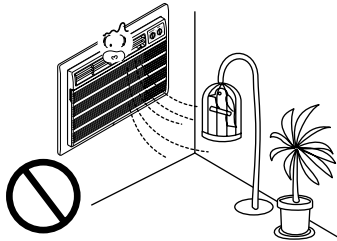
**Apague la unidad y desenchúfela cuando vaya a limpiarla.**

- Se pueden producir daños, ya que el ventilador gira a gran velocidad cuando está en funcionamiento.



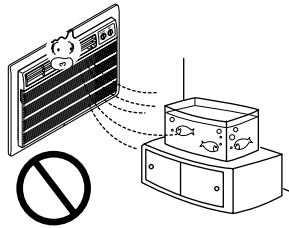
**Coloque las macetas o la casa de las mascotas de forma que no le llegue el flujo directo del aire.**

- Las plantas o las mascotas podrían sufrir daños.



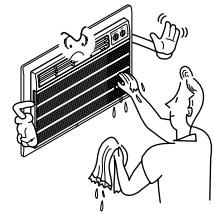
**No lo utilice para otros propósitos.**

- No utilice el aire acondicionado para conservar dispositivos de precisión, comida, animales, plantas u obras de arte, ya que la calidad podría deteriorarse.



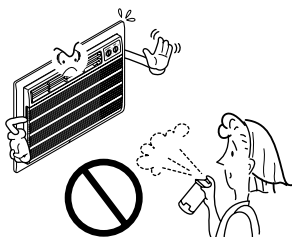
**No toque los interruptores con las manos mojadas.**

- Se pueden producir sacudidas eléctricas.




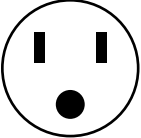
**No aplique insecticidas ni sprays inflamables.**

- Se pueden producir fuegos o la deformación de la cabina.

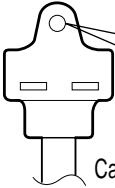


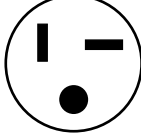


# Datos eléctricos

## Datos eléctricos (modelo 115V)

Conexión del cable	Adaptador para la pared	Fuente de alimentación
 <p>Cable de alimentación eléctrica con enchufe de tres tomas de tierra</p>	<p><b>Tipo paralelo</b></p>  <p>125 V estándar, adaptador de toma de tierra de tres cables de 15A, CA de 125V</p>	<p>Utilice un fusible de retraso de 15 AMP o un cortocircuito de 15 AMP.</p>
<p><b>UTILIZACIÓN DE ALARGADERAS</b> No utilice alargaderas ya que podría existir la posibilidad de que la seguridad no fuese completa.</p>		

## Datos eléctricos (modelo 230/208V)

Conexión del cable	Adaptador para la pared	Fuente de alimentación
 <p>Cable de alimentación eléctrica con enchufe de tres tomas de tierra</p>	<p><b>Tipo tándem</b></p>  <p>250V estándar, adaptador de toma de tierra de tres cables de 15A, CA de 250V</p>	<p>Utilice un fusible de retraso de 15 AMP o un cortocircuito.</p>
 <p>Cable de alimentación eléctrica con enchufe de tres tomas de tierra</p>	<p><b>Tipo perpendicular</b></p>  <p>250V estándar, adaptador de toma de tierra de tres cables de 20A, CA de 250V</p>	<p>Utilice un fusible de retraso de 20 AMP o un cortocircuito. Consulte la placa de datos para utilizar los fusibles adecuados.</p>

Se deben realizar todas las conexiones de los cables respetando los códigos y normas acerca de las condiciones eléctricas locales.  
**NOTA :** Es posible que surjan problemas si el cableado de la casa es de aluminio. Consulte con un técnico electricista cualificado.

### ■ SEGURIDAD ELÉCTRICA

#### INSTRUCCIONES IMPORTANTES ACERCA DE LA TOMA DE TIERRA

El aire acondicionado tiene un enchufe de tres tomas de tierra que se debe conectar en una toma de pared con tres tomas de tierra para quedar protegido contra posibles sacudidas eléctricas.

**FUSIBLE** – Utilice un fusible de retraso o un cortocircuito. Consulte la placa de datos para comprobar los requisitos de alimentación eléctrica.

#### UNIDADES CON VOLTAJE DE 208, 230 y 208/230

Estas unidades están equipadas con un enchufe de tres tomas de tierra que se debe conectar en una toma de pared con tres tomas de tierra para quedar protegido contra posibles sacudidas eléctricas. Si no hay una toma de este tipo, un técnico electricista cualificado deberá instalar una respetando las normas y regulaciones locales y el código eléctrico nacional.

# Acerca de los controles del aire acondicionado

Estos son los controles del aire acondicionado:



## Controles: modelos de sólo refrigeración

<p><b>MODE</b> OFF Med Fan Low Fan High Cool Med Cool Low Cool</p>	<p>Off - El aire acondicionado se apaga.            Med Fan Only - Funcionamiento del ventilador a velocidad media sin refrigerar.            Low Fan Only - Funcionamiento del ventilador a baja velocidad sin refrigerar.            High Cool - Refrigeración con el ventilador funcionando a alta velocidad.            Med Cool - Refrigeración con el ventilador funcionando a velocidad media.            Low Cool - Refrigeración con el ventilador funcionando a velocidad baja.</p>
<p><b>TEMPERATURE</b> Warmer Cooler</p>	<p>De esta forma se controla automáticamente la temperatura del aire interno. Gire la perilla en el sentido de las agujas del reloj para que la refrigeración sea mayor.            Gire la perilla en el sentido contrario al de las agujas del reloj para que la refrigeración sea más moderada.</p>

### • REFRIGERACIÓN NORMAL

1. Gire la perilla de modo hacia **Med Cool** (refrigeración media).
2. Coloque la perilla de temperatura en la temperatura deseada (el punto medio es una buena posición para comenzar).  
Si la temperatura de la habitación no es la deseada cuando pase un tiempo razonable, ajuste el control en un valor más frío o más cálido.

### • REFRIGERACIÓN MÁXIMA

1. Gire la perilla de modo hacia **High Cool** (refrigeración alta).
2. Establezca la perilla de temperatura en el valor más frío girándola al máximo hacia la derecha.

### • FUNCIONAMIENTO AL MÍNIMO

1. Gire la perilla de funcionamiento hacia **Low Cool** (refrigeración baja).
2. Coloque la perilla de temperatura donde desee.

Estos son los controles del aire acondicionado:



## Controles: refrigeración y calefacción

	<p>Off - El aire acondicionado se apaga.</p> <p>Fan Only - Funcionamiento del ventilador a baja velocidad sin refrigerar / calentar.</p> <p>Low Cool - Refrigeración con el ventilador funcionando a velocidad baja.</p> <p>High Cool - Refrigeración con el ventilador funcionando a alta velocidad.</p> <p>Low Heat - Calefacción con el ventilador funcionando a velocidad baja.</p> <p>High Heat - Calefacción con el ventilador funcionando a alta velocidad.</p>
	<p>Gire la perilla de temperatura hacia el valor deseado. La posición central es el valor normal para las condiciones intermedias. Si fuera necesario, este valor se puede cambiar dependiendo de la temperatura que prefiera. El termostato controla automáticamente la refrigeración o la calefacción, pero el ventilador funcionará de forma continua siempre que el aire acondicionado se encuentre en funcionamiento. Gire el control del termostato en el sentido de las agujas del reloj si la temperatura de la habitación es demasiado alta. Gire el control del termostato en el sentido contrario al de las agujas del reloj si la temperatura de la habitación es demasiado fría.</p>

Acerca de los controles del aire acondicionado

El compresor se encenderá y apagará para mantener la temperatura establecida en la habitación.

En el modo de calefacción, el calentador eléctrico se encenderá y apagará para mantener la temperatura establecida en la habitación.

### ATENCIÓN

Espere al menos tres minutos antes de volver a establecer el modo de refrigeración si el aire acondicionado funcionaba en el modo de refrigeración o de calefacción y lo apaga o se establece en la posición de ventilación.

Es posible que salga un poco de olor a quemado de la unidad si se cambia a HEAT (calefacción) cuando termine la estación de clima frío. Este olor desaparecerá rápidamente y se debe a las pequeñas partículas de polvo que hay en el calefactor. Este funcionamiento es normal.

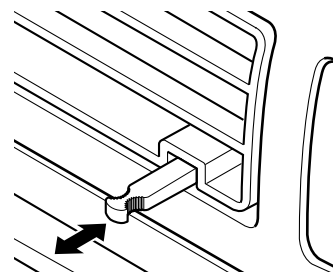
## Controles complementarios e información relevante.

### Control de ventilación

Empuje la palanca hacia la posición "CLOSE" (cerrado) para que el aire de la habitación se caliente, se enfríe o simplemente recircule.

Empuje la palanca hacia la posición "OPEN" (abierto) para expulsar el humo o el aire estancado de la habitación.

Obtendrá el máximo rendimiento de esta función si se utiliza junto con la posición FAN ONLY (sólo ventilador).



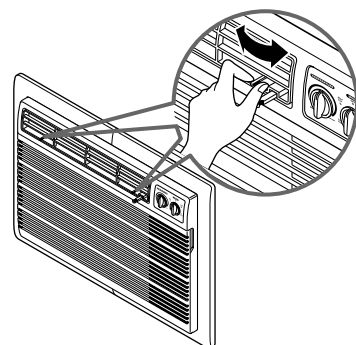
TIRE PARA ABRIR / EMPUJE PARA CERRAR

### Dirección del aire

Se puede controlar la dirección del aire ajustando las persianas horizontales y verticales.

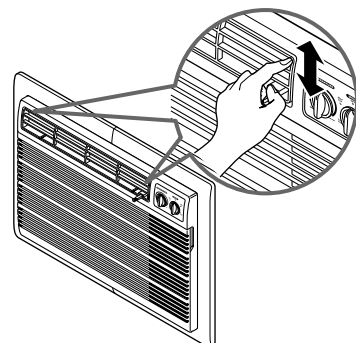
#### • AJUSTE DE LA DIRECCIÓN HORIZONTAL DEL AIRE

La dirección horizontal del aire se ajusta moviendo la persiana vertical. La palanca de la persiana vertical se ubica a la derecha y a la izquierda de la descarga de aire.



#### • AJUSTE DE LA DIRECCIÓN VERTICAL DEL AIRE

La dirección vertical del aire se ajusta moviendo las persianas horizontales.



Acerca de los controles del aire acondicionado



# Cuidado y mantenimiento

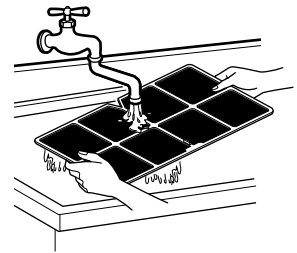
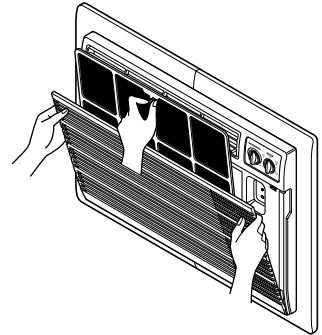
APAGUE EL AIRE ACONDICIONADO Y quite el enchufe de la toma de corriente.

## Limpieza del filtro de aire

Se debe comprobar el filtro del aire al menos dos veces al mes para ver si es necesario limpiarlo. Es posible que se amontonen partículas en el filtro y bloqueen el flujo de aire. La capacidad de refrigeración se puede ver reducida y dar lugar a la acumulación de escarcha en las bobinas de refrigeración.

Sustituya inmediatamente el filtro si se rasga o resulta dañado. El vendedor, distribuidor y los centros autorizados de reparación disponen de filtros de repuesto.

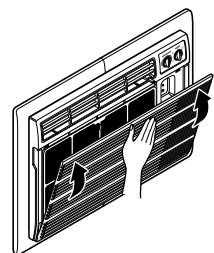
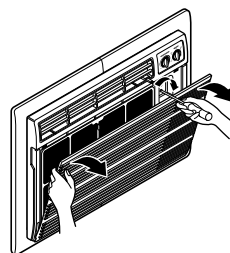
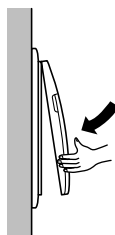
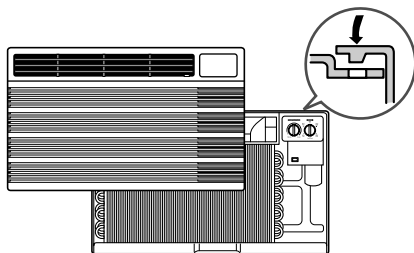
1. Abra la rejilla de admisión hacia abajo cogiendo los bordes externos superiores de la rejilla de admisión y tirándolos hacia usted.
2. Quite el filtro de aire de la rejilla delantera tirando del filtro de aire hacia arriba.
3. Lave el filtro con agua templada y un detergente suave.
4. Sacuda el agua que sobre del filtro. Asegúrese de que el filtro está completamente seco y vuelva a colocarlo en la unidad.



## Acople de la rejilla delantera a la cabina

La rejilla delantera se podrá quitar para limpiarla o para comprobar los números de serie y de modelo de la unidad. Siga este procedimiento para acoplar la rejilla delantera y mantener así su seguridad.

1. Tire hacia abajo de la rejilla delantera desde la parte superior de la cabina.
2. Empuje las puntas de la rejilla delantera hacia la cabina para introducir las pestañas de la rejilla delantera en la cabina.
3. Abra la rejilla de entrada.
4. Apriete los tornillos de la rejilla delantera que hay en la placa de la caja de control.
5. Cierre la rejilla de entrada.



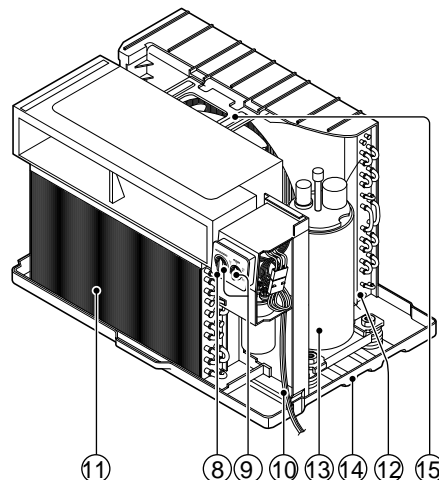
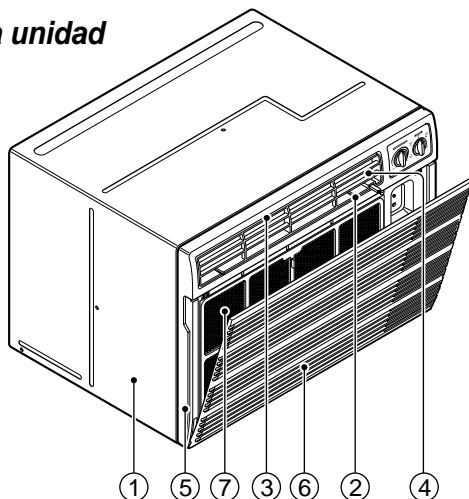
Acercas de los controles  
del aire acondicionado

# Funciones

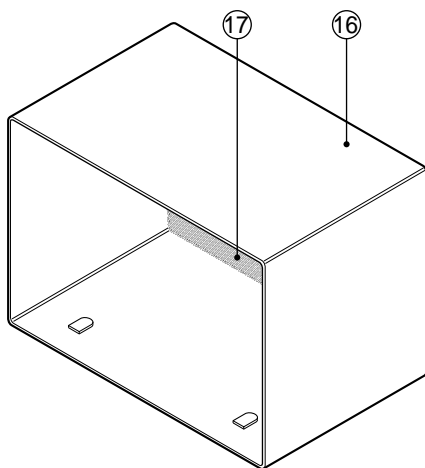
Le resultará más fácil entender el procedimiento de instalación si aprende los nombres de las piezas antes de realizar la instalación.

## Funciones

### La unidad



### El soporte con la rejilla delantera (se vende por separado)



1. CABINA
2. DEFLECTOR DE AIRE HORIZONTAL (Persiana vertical)
3. DEFLECTOR DE AIRE VERTICAL (Persiana horizontal)
4. DESCARGA DE AIRE
5. REJILLA DELANTERA
6. REJILLA DE ENTRADA (entrada de aire)
7. FILTRO DE AIRE

11. EVAPORADOR
12. CONDENSADOR
13. COMPRESOR
14. COLECTOR
15. FIJACIÓN
16. CONJUNTO DEL SOPORTE (Rejilla trasera de aluminio ampliada incluida)
17. REJILLA TRASERA

# Instalación

Quite el papel de embalaje de la parte trasera de la unidad y las esquinas de embalaje y la cinta azul del aire acondicionado.

## REQUISITOS PARA REALIZAR LA INSTALACIÓN

Si utiliza un soporte ya instalado en la pared, mida sus dimensiones.

Instale el nuevo aire acondicionado siguiendo las instrucciones de instalación para así lograr el máximo rendimiento. Los soportes de la pared que se utilicen para montar el nuevo aire acondicionado deben estar en perfecto estado y deben tener una rejilla trasera para acoplar de forma segura el nuevo aire acondicionado. (FIG. 1)

Con el soporte **FRIEDRICH USC**, podrá obtener el máximo rendimiento del nuevo aparato de aire acondicionado. (FIG. 2)

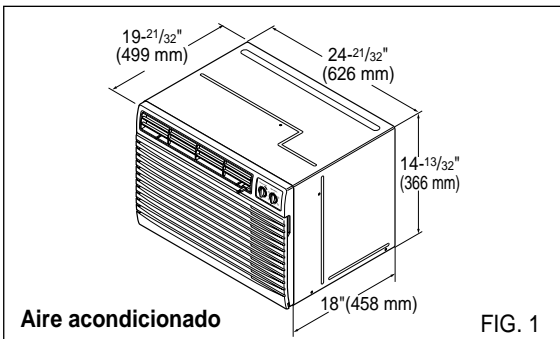


FIG. 1

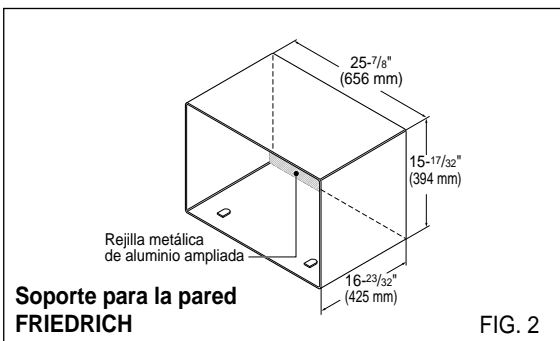


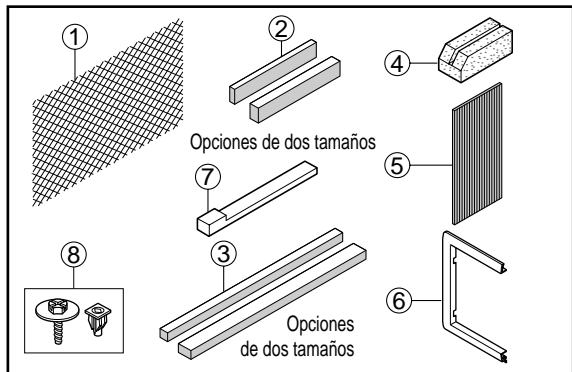
FIG. 2

## REPARACIÓN ELECTRICA

Compruebe si se puede realizar la reparación eléctrica. El suministro eléctrico disponible debe ser el mismo que se muestra en la placa de datos (arte izquierda de la cabina).

Todos los modelos están equipados con un enchufe de tres tomas de repuesto para que la toma a tierra sea segura y se pueda realizar una posible reparación. No cambie de ninguna forma el enchufe. No utilice un adaptador. Si la toma de la pared no encaja con el enchufe, llame a un técnico electricista cualificado para que realice las correcciones necesarias. **GUARDE LOS CARTONES** de embalaje y el **MANUAL DEL PROPIETARIO** para realizar consultas posteriores. La utilización de la caja de cartón es el mejor método para guardar la unidad cuando no se utilice.

## INSTALACIÓN DE LAS PIEZAS



ELEMENTO	NOMBRE DE LAS PIEZAS	CANTIDAD
①	REJILLA DE PLÁSTICO	1
②	CINTAS AISLANTES HORIZONTALES	2
③	CINTAS AISLANTES PARA RODEAR	2
④	BLOQUE DE APOYO	2
⑤	DEFLECTOR	1
⑥	MARCO EMBELLECEDOR	2
⑦	CALZA	2
⑧	TUERCAS, TORNILLOS Y ARANDELAS DE PLÁSTICO	4



## ATENCIÓN

Para evitar que se produzca daños personales, daños en la propiedad o en el producto debido al peso de este dispositivo y a los bordes afilados que puedan quedar expuestos:

- Los aparatos de aire acondicionado que se cubren en este manual pueden dar lugar a peligros debido al peso excesivo. Es posible que sean necesarias dos personas o más para mover e instalar la unidad. Utilice las técnicas de transporte y elevación adecuadas cuando vaya a mover la unidad para evitar así posibles daños.
- Compruebe la ubicación donde vaya a instalar el aire acondicionado. Asegúrese de que va a aguantar el peso de la unidad durante todo el tiempo de utilización.
- Maneje el aire acondicionado con cuidado. Lleve gafas de protección cuando eleve o transporte la unidad. **EVITE** tocar las aletas metálicas afiladas de las bobinas trasera y delantera.
- Asegúrese de que el aire acondicionado no se vaya a caer cuando lo instale.

## HERRAMIENTAS NECESARIAS:

- Guantes ajustables
- Destornillador estándar
- Destornillador Phillips
- Pinzas
- Cuchillo afilado
- Llave inglesa de 3/8 o llave ajustable
- Enchufe hexagonal de 1/4 y trinquete
- Cinta de medir
- Taladro
- Broca de 1/4

## INSTALACIÓN



### ATENCIÓN

**Le recomendamos que quite el antiguo soporte y que instale un nuevo soporte de pared FRIEDRICH USC.**

Si decide mantener el antiguo soporte, deberá volver a dirigir las persianas de la parte trasera del dibujo del soporte. Se recomienda que utilice pinzas. Si NO vuelve a dirigir las correrá el riesgo de que el rendimiento sea deficiente o el producto falle. Los términos de la garantía de FRIEDRICH no cubriría lo anterior.

- Escoja un lugar para instalar la unidad de forma que el aire acondicionado se dirija hacia la zona que desee. Si se realiza una buena instalación prestando atención especial a la posición donde ubique la unidad disminuirá la posibilidad de que haya que reparar el aparato.

### ELEMENTOS PARA LA INSTALACIÓN DE LAS PIEZAS

Es posible que no necesite todas las piezas del paquete. Deseche las piezas que no se utilicen.

ELEMENTO	DIMENSIONES (pulgadas)	Cantidad
Rejilla de plástico	26 <sup>3</sup> / <sub>4</sub> x 16 <sup>1</sup> / <sub>2</sub>	1
Cintas aislantes horizontales	1 <sup>3</sup> / <sub>8</sub> x 5 <sup>5</sup> / <sub>8</sub> x 27 <sup>3</sup> / <sub>16</sub>	1
	1 <sup>3</sup> / <sub>8</sub> x 1 <sup>3</sup> / <sub>8</sub> x 27 <sup>3</sup> / <sub>16</sub>	1
Cintas aislantes para rodear	1 <sup>3</sup> / <sub>8</sub> x 3 <sup>3</sup> / <sub>4</sub> x 61 <sup>1</sup> / <sub>2</sub>	1
	1 <sup>3</sup> / <sub>8</sub> x 1 <sup>3</sup> / <sub>8</sub> x 61 <sup>1</sup> / <sub>2</sub>	1
Bloque de apoyo	1 <sup>3</sup> / <sub>4</sub> x 1 <sup>3</sup> / <sub>8</sub> x 4 <sup>5</sup> / <sub>16</sub>	2
Deflector	14 x 4 <sup>1</sup> / <sub>2</sub> x 1 <sup>1</sup> / <sub>8</sub>	1
Calza	13 x 1 x 3 <sup>3</sup> / <sub>4</sub>	2
Marco embellecedor		2
Tornillo de arandela		4
Tuercas (plástico)		4

## INSTALACIÓN

- 1 Antes de instalar la unidad, identifique el soporte para la pared que se encuentra en la siguiente lista.

Marca	Dimensiones del soporte de pared (pulgadas)		
	Ancho	Alto	Profundidad
White-Westinghouse Frigidaire Carrier (52F series)	25-1/2	15-1/4	16, 17-1/2 or 22
General Electric /Hotpoint	26	15-5/8	16-7/8
Whirlpool	25-7/8	16-1/2	17-1/8 or 23
Fedders/Emerson Friedrich WSC	27	16-3/4	16-3/4 or 19-3/4
FRIEDRICH USC	25-7/8	15-17/32	16-23/32
Emerson/Fedders	26-3/4	15-3/4	15
Carrier (51S Series)	25-3/4	16-7/8	18-5/8

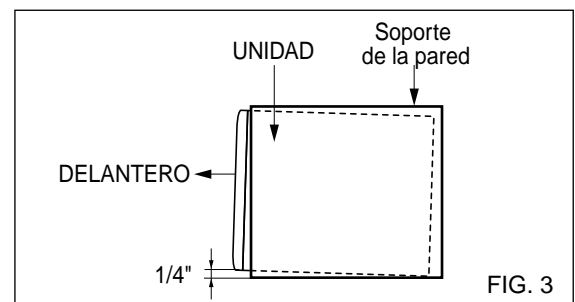
**NOTA:** Los soportes de la pared que se utilicen para montar el nuevo aire acondicionado deben estar en perfecto estado y deben tener una rejilla trasera para acoplarlos al soporte, o a la tuerca trasera para que sirva de tope para el aire acondicionado.

- 2 Quite el antiguo aparato de aire acondicionado del soporte para la pared.
- 3 Limpie el interior de este soporte. (No modifique las juntas ni los sellos.)
- 4 El soporte de la pared de estar firmemente sujeto a la pared antes de instalar el aire acondicionado. Si fuera necesario, utilice tornillos para sujetar el soporte a la pared. Repare el soporte si fuera necesario.
- 5 Prepare el soporte de la pared para instalar la unidad. Si va a utilizar el soporte que ya se encuentra en la pared, y no es FRIEDRICH, siga los procedimientos B o C.

Procedimiento	Marca	Profundidad (pulgadas)
A (Consulte la página 13)	FRIEDRICH USC	16-23/32
B (páginas 14-15)	White-Westinghouse Frigidaire Carrier (52F series)	16, 17-1/2 or 22
	General Electric /Hotpoint	16-7/8
	Whirlpool	17-1/8 or 23
	Carrier (51S series)	18-5/8
C (páginas 16-17)	Fedders/Emerson	16-3/4
	Friedrich WSC	or 19-3/4
	Emerson/Fedders	15

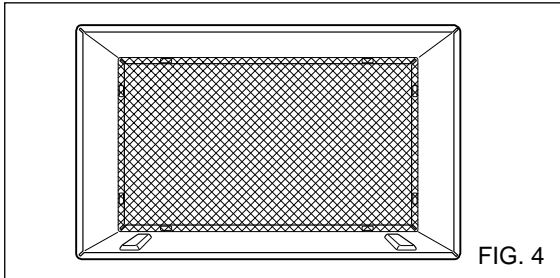
- 6 Instale la nueva unidad en el soporte de pared.

**ATENCIÓN:** Cuando termine de realizar la instalación, la unidad deberá estar inclinada hacia atrás tal y como se muestra.

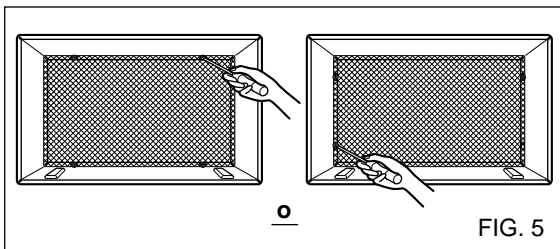


## PROCEDIMIENTO A

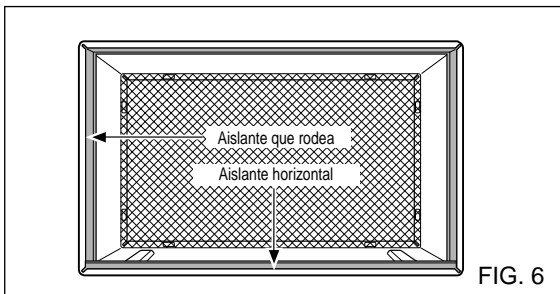
- 1** Pase al paso 3 si va a utilizar el nuevo soporte que se proporciona junto con la unidad. Si no, instale la rejilla de plástico que se incluye en el paquete. Corte la rejilla de plástico con un ancho de unos 64,75 cm. y un alto de unos 38,75 cm. Coloque la rejilla de plástico dentro del soporte de la pared por la pestaña trasera.



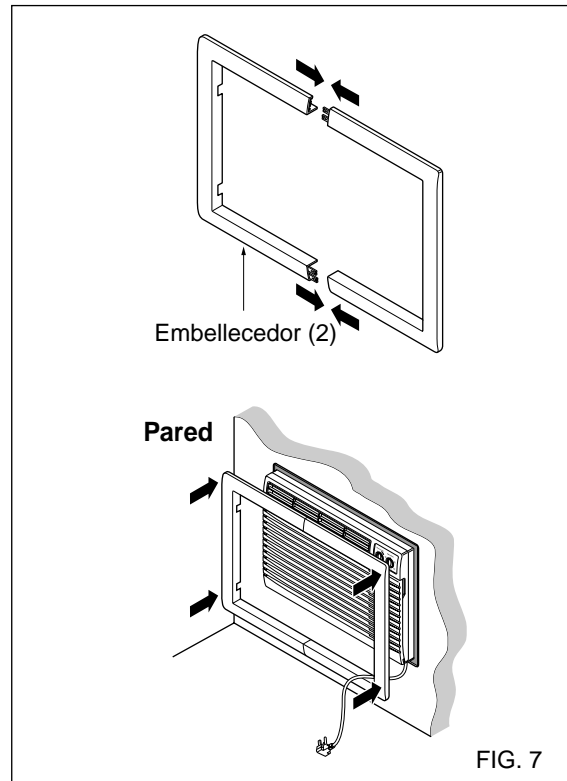
- 2** Apriete los cuatros tornillos de arandela para asegurar bien la rejilla al soporte de la pared. En el paquete de instalación se incluyen tuercas de plástico por si las necesitase ara montar la rejilla de plástico dentro del soporte de la pared. Las tuercas se instalan desde dentro del soporte y se sujetan a través de los orificios cuadrados de las pestañas traseras.



- 3** Quite la parte trasera de la cinta aislante horizontal.  $1\frac{3}{8}'' \times \frac{5}{8}'' \times 27\frac{3}{16}''$  y acople la cinta a la parte inferior interna del soporte tal y como se muestra. Quite la parte trasera de la cinta aislante para rodear  $1\frac{3}{8}'' \times \frac{3}{4}'' \times 61\frac{1}{2}''$  y acople la cinta a la parte delantera interna del soporte tal y como se muestra.



- 4** Instale la unidad en el soporte de pared.
- 5** Para acoplar el embellecedor, encaje la pestaña de cada pieza en la ranura de la otra pieza tal y como se muestra. Deslice el embellecedor hacia la parte delantera del aire acondicionado hasta que encaje con el soporte de la siguiente forma.



### ⚠ ATENCIÓN

- Los aparatos de aire acondicionado que se cubren en este manual pueden dar lugar a riesgos debido al peso excesivo. Es posible que sean necesarias dos personas o más para mover e instalar la unidad. Utilice las técnicas de transporte y elevación adecuadas cuando vaya a mover la unidad para evitar así posibles daños.
- Tenga cuidado al manejar el aire acondicionado para no cortarse con las aletas metálicas afiladas de las bobinas trasera y delantera.
- Asegúrese de que el aire acondicionado no se vaya a caer cuando lo quite.

## PROCEDIMIENTO B

- 1** Vuelva a dirigir las persianas de la parte trasera del soporte de la pared hasta un ángulo de 60° tal y como se muestra en la FIG 8. Se recomienda la utilización de pinzas.

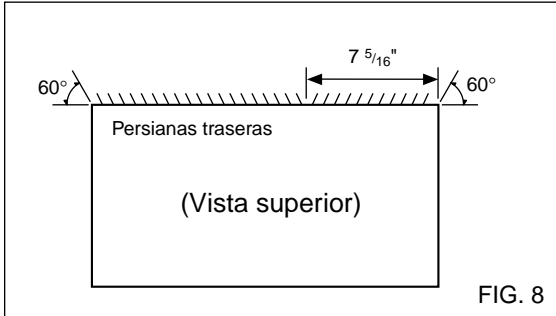
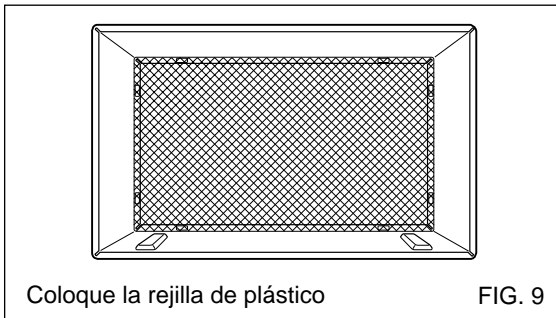


FIG. 8

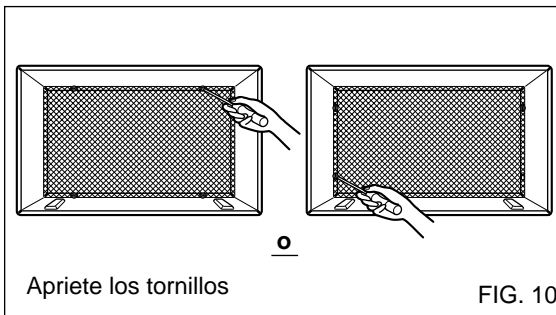
- 2** Si el soporte de la pared ya cuenta con una rejilla trasera, salte al paso 4. Si no la tiene ni cuenta con un panel de persiana, instale la rejilla de plástico que se incluye en el paquete. Corte la rejilla de plástico con un ancho de unos 64,75 cm. y un alto de unos 38,75 cm. o con las medidas del soporte. Coloque la rejilla de plástico dentro del soporte de la pared por la pestaña trasera.



Coloque la rejilla de plástico

FIG. 9

- 3** Apriete los cuatros tornillos de arandela para asegurar bien la rejilla al soporte de la pared. En el paquete de instalación se incluyen tuercas de plástico por si las necesitase ara montar la rejilla de plástico dentro del soporte de la pared. Las tuercas se instalan desde dentro del soporte y se sujetan a través de los orificios cuadrados de las pestañas traseras.



Apriete los tornillos

FIG. 10

- 4** Quite la parte trasera de la cinta aislante horizontal. 1 3/8" x 5/8" x 27 3/16" y acople la cinta a la parte inferior interna del soporte tal y como se muestra. Quite la parte trasera de la cinta aislante para rodear 13. 1 3/8" x 3/4" x 61 1/2" y acople la cinta a la parte delantera interna del soporte tal y como se muestra.

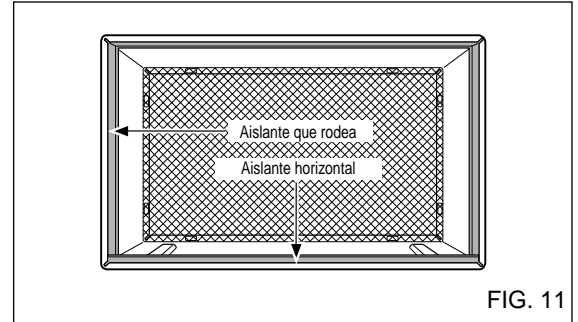


FIG. 11

- 5** Si la profundidad del soporte de la pared es inferior o igual a las 18", salte al paso 7. Si no, corte los deflectores y los bloques de apoyo respetando la longitud "A" de la siguiente tabla.

Profundidad "D" del soporte que ya había en la pared (pulgadas)	Longitud "A" (pulgadas)
18 < D ≤ 18-5/8	3/4
18-5/8 < D ≤ 19-3/4	1-3/4
19-3/4 < D ≤ 22	4

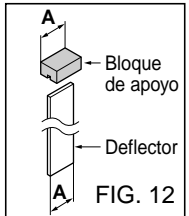


FIG. 12

- 6** Quite la parte trasera de los bloques de apoyo y acóplelos a la parte interna del soporte de la pared como se muestra en la FIG 9. Deslice el deflector hacia las ranuras de los bloques de apoyo.

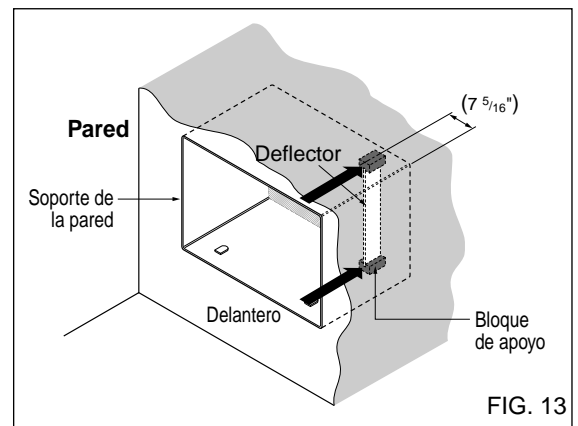
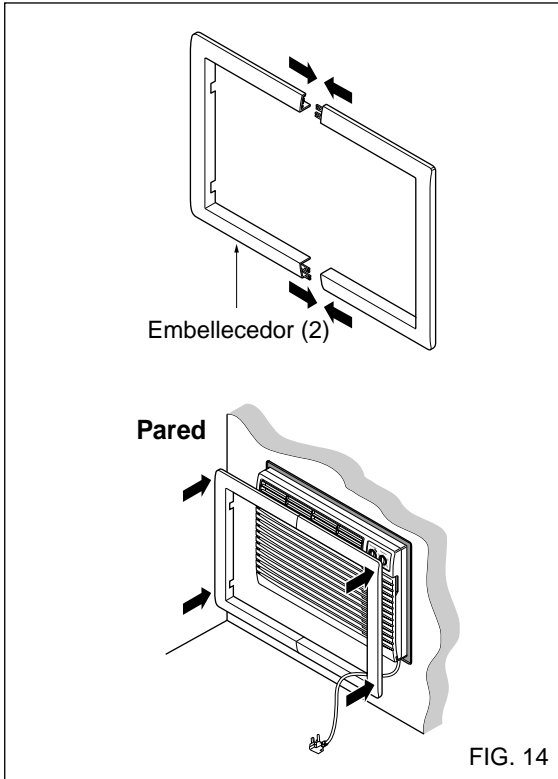


FIG. 13

- 7** Instale la unidad en el soporte de pared.

## PROCEDIMIENTO B

- 8** Para acoplar el embellecedor, encaje la pestaña de cada pieza en la ranura de la otra pieza tal y como se muestra. Deslice el embellecedor hacia la parte delantera del aire acondicionado hasta que encaje con el soporte de la siguiente forma.



### **⚠ ATENCIÓN**

- Los aparatos de aire acondicionado que se cubren en este manual pueden dar lugar a riesgos debido al peso excesivo. Es posible que sean necesarias dos personas o más para mover e instalar la unidad. Utilice las técnicas de transporte y elevación adecuadas cuando vaya a mover la unidad para evitar así posibles daños.
- Tenga cuidado al manejar el aire acondicionado para no cortarse con las aletas metálicas afiladas de las bobinas trasera y delantera.
- Asegúrese de que el aire acondicionado no se vaya a caer cuando lo quite.

## PROCEDIMIENTO C

- 1** Vuelva a dirigir las persianas de la parte trasera del soporte de la pared hasta un ángulo de 60° tal y como se muestra en la FIG 15. Se recomienda la utilización de pinzas.

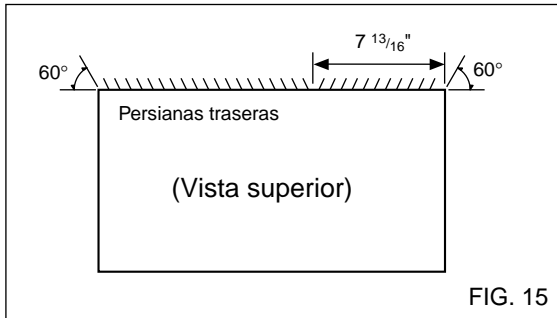


FIG. 15

- 2** Si el soporte de la pared ya cuenta con una rejilla trasera, salte el paso 4. Si no la tiene ni cuenta con un panel de persiana, instale la rejilla de plástico que se incluye en el paquete. Corte la rejilla de plástico con un ancho de unos 67,75 cm. y un alto de unos 36 cm. o con las medidas del soporte. Coloque la rejilla de plástico dentro del soporte de la pared por la pestaña trasera.

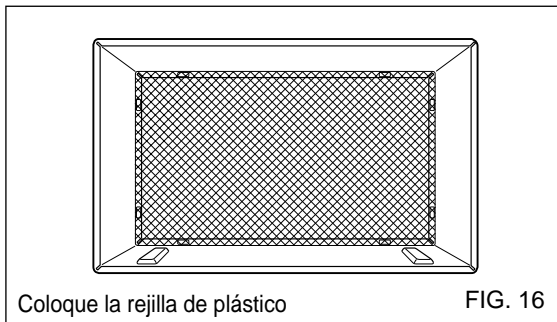
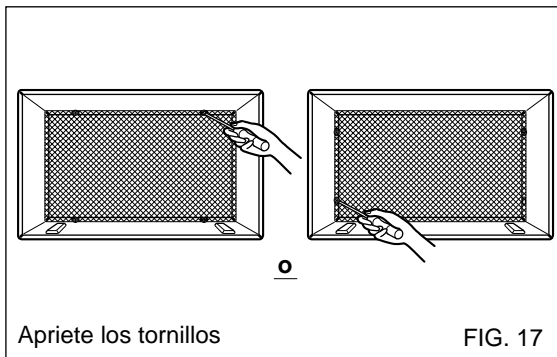


FIG. 16

- 3** Apriete los cuatros tornillos de arandela para asegurar bien la rejilla al soporte de la pared. En el paquete de instalación se incluyen tuercas de plástico por si las necesitase ara montar la rejilla de plástico dentro del soporte de la pared. Las tuercas se instalan desde dentro del soporte y se sujetan a través de los orificios cuadrados de las pestañas traseras.



Apriete los tornillos

FIG. 17

- 4** Quite la parte trasera de la cinta aislante horizontal. 1 3/8" x 1 3/8" x 27 3/16" y acople la cinta a la parte inferior interna del soporte tal y como se muestra. Quite la parte trasera de la cinta aislante para rodear 1 3/8" x 1 3/8" x 61 1/2" y acople la cinta a la parte delantera interna del soporte tal y como se muestra.

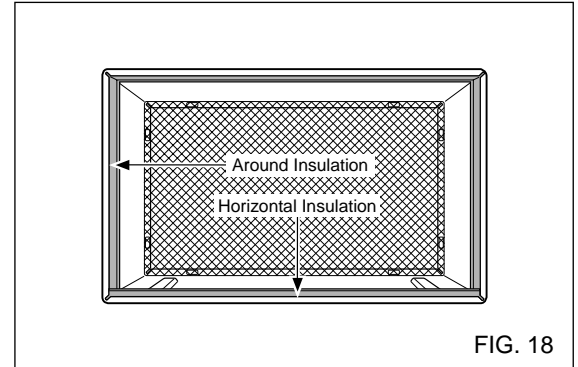


FIG. 18

- 5** Si la profundidad del soporte de la pared es inferior o igual a las 18", salte al paso 7. Si no, corte los deflectores y los bloques de apoyo respetando la longitud "A" de la siguiente tabla.

Profundidad "D" del soporte que ya había en la pared (pulgadas)	Longitud "A" (pulgadas)
$18 < D \leq 18\text{-}5/8$	$3/4$
$18\text{-}5/8 < D \leq 19\text{-}3/4$	$1\text{-}3/4$
$19\text{-}3/4 < D \leq 22$	4

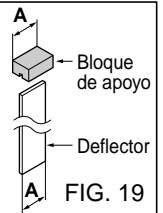


FIG. 19

- 6** Quite la parte trasera de los bloques de apoyo y acóplelos a la parte interna del soporte de la pared como se muestra en la FIG 20. Deslice el deflector hacia las ranuras de los bloques de apoyo.

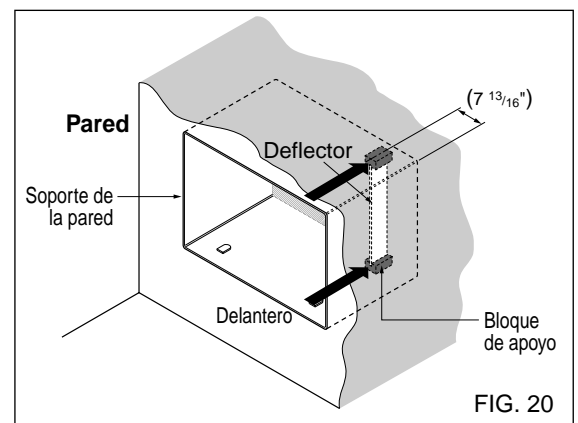
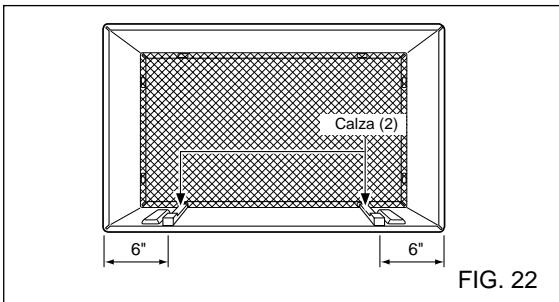
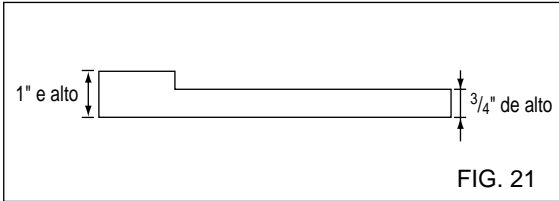


FIG. 20



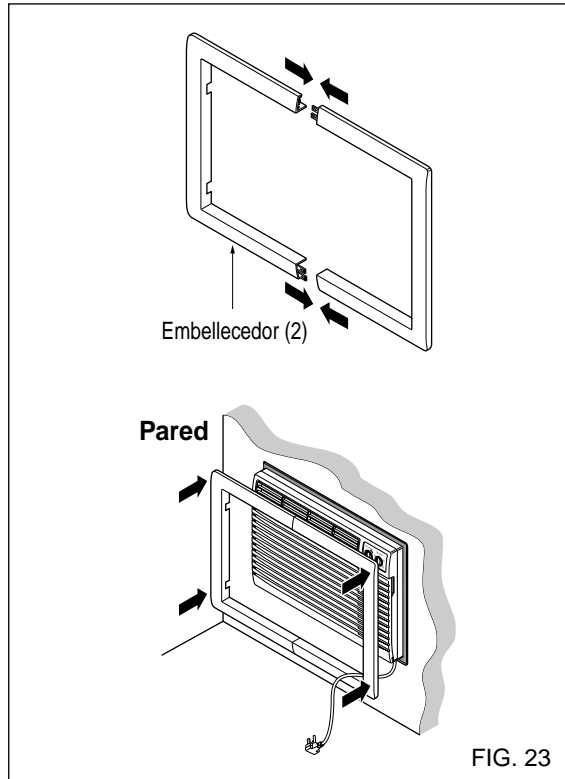
## PROCEDIMIENTO C

- 7** Quite la parte trasera de las calzas de 13" y acóplelas tal y como se muestra en la FIG 22. La parte más alta de la calza se debe colocar frente al borde de la base del soporte de la pared.



- 8** Instale la unidad en el soporte de pared.

- 9** Para acoplar el embellecedor, encaje la pestaña de cada pieza en la ranura de la otra pieza tal y como se muestra. Deslice el embellecedor hacia la parte delantera del aire acondicionado hasta que encaje con el soporte de la siguiente forma.



### ⚠ ATENCIÓN

- Los aparatos de aire acondicionado que se cubren en este manual pueden dar lugar a riesgos debido al peso excesivo. Es posible que sean necesarias dos personas o más para mover e instalar la unidad. Utilice las técnicas de transporte y elevación adecuadas cuando vaya a mover la unidad para evitar así posibles daños.
- Tenga cuidado al manejar el aire acondicionado para no cortarse con las aletas metálicas afiladas de las bobinas trasera y delantera.
- Asegúrese de que el aire acondicionado no se vaya a caer cuando lo quite.

# Antes de llamar al servicio de reparación...

Estos consejos para la resolución de problemas le ahorrarán tiempo y dinero. Revise el diagrama que aparece a continuación y es posible que no tenga que llamar al servicio de reparación.

## Funcionamiento normal

- Es posible que escuche como silbidos provocados por el agua que se recoge y se desecha a través del condensador en días de lluvia o cuando la humedad es muy alta. Esta función le permitirá quitar la humedad y mejorar la eficacia.
- Es posible que oiga clics procedentes del termostato cuando el compresor se encienda y se apague.
- El agua se recogerá en el colector de la base cuando haya mucha humedad o en días de lluvia. Es posible que el agua se desborde y se salga de la parte exterior de la unidad.
- El ventilador puede seguir funcionando aunque el compresor no lo haga.

## Funcionamiento irregular

Problema	Causa posible	Proceso a seguir
<b>El aire acondicionado no se arranca.</b>	■ El aire acondicionado no está enchufado.	• Asegúrese de que el enchufe del aire acondicionado está completamente introducido en la toma de la pared.
	■ El fusible se funde o el cortacircuitos se corta con frecuencia.	• Compruebe la caja de fusibles / cortocircuitos de la casa y sustituya el fusible dañado o vuelva a establecer el cortocircuitador.
	■ Fallo de alimentación eléctrica.	• Gire el control de modo a OFF si se produce un corte en la alimentación. Si la alimentación se restablece, espere tres minutos antes de volver a utilizar el aire acondicionado para evitar que se sobrecargue el compresor.
<b>El aire acondicionado no enfría todo lo que debiera.</b>	■ El flujo de aire está limitado.	• Asegúrese de que la parte delantera del aire acondicionado no se encuentra bloqueada por las persianas, las cortinas o los muebles.
	■ Es posible que no se haya establecido correctamente el TERMOSTATO.	• Gire la perilla hacia la derecha hasta establecer la temperatura más fría. El valor más frío dará lugar a la máxima refrigeración.
	■ El filtro de aire está sucio.	• Limpie el filtro al menos una vez cada dos semanas. Consulte la sección de instrucciones de funcionamiento.
	■ Es posible que la habitación estuviese demasiado caliente.	• Cuando el aire acondicionado se enciende por primera vez, deberá esperar cierto tiempo para que la habitación se enfríe.
	■ El aire frío se escapa.	• Compruebe que no hay aberturas en el suelo y que el aire frío no retorna. • Coloque la apertura de ventilación del aire acondicionado en la posición de cerrado.
<b>El aire acondicionado se está congelando.</b>	■ Las bobinas de refrigeración se han helado.	• Consulte la parte de Congelación del aire acondicionado que aparece a continuación.
	■ El hielo bloquea el flujo de aire y no deja que el aire acondicionado enfríe la habitación.	• Establezca el control de modo en Med Fan (ventilador medio) High Cool (refrigeración alta) con el termostato hacia la izquierda.



FRIEDRICH AIR CONDITIONING CO.  
Post Office Box 1540 • San Antonio, Texas 78295-1540  
(210) 357-4400 • FAX (210) 357-4480

## TÉRMINOS DE LA GARANTÍA LIMITADA -UNIDADES DE AIRE ACONDICIONADO FRIEDRICH

### GARANTIA LIMITADA -PRIMER AÑO

TODAS LAS PARTES: Si cualquiera de las partes suministradas por FRIEDRICH no funciona debido a un defecto de manufactura o del material dentro de los 12 meses siguientes a la fecha original de compra, FRIEDRICH reparará el producto sin costo alguno, siempre y cuando que la unidad esté razonablemente accesible para el servicio. Todo costo adicional ocasionado por remover unidades inaccesibles y/o costos por millaje relacionados con el viaje de servicio, los cuales excedan una distancia de 25 millas (una vía), correrán por cuenta del propietario. Esta solución es la solución única convenida dentro de los 12 meses siguientes de la fecha original de compra.

### GARANTIA LIMITADA -DEL SEGUNDO AL QUINTO AÑO

**SISTEMA REFRIGERANTE SELLADO:** Si el sistema refrigerante sellado (definido para este propósito como el compresor, condensador, serpentín, serpentín de evaporación, válvula de reversa, válvula de control, capilar, secador de filtro y tubería de interconexión) suministrado por FRIEDRICH con su unidad de aire acondicionado falla, debido a un defecto de manufactura o del material, dentro de los 60 meses siguientes a la fecha original de compra, FRIEDRICH pagará una asignación para mano de obra y las partes necesarias para arreglar el sistema refrigerante sellado. Sin embargo, FRIEDRICH no pagará el costo del diagnóstico del problema, el retiro y transporte de la unidad hacia/de la agencia de servicio, ni los gastos de reinstalación asociados con la reparación del sistema refrigerante sellado. Todos esos costos correrán por cuenta del propietario. Esta solución es la solución única convenida dentro de los 60 meses siguientes a la fecha original de compra.

**APLICABILIDAD Y LIMITACIONES:** Esta garantía es aplicable únicamente a unidades que permanezcan dentro del territorio de los 50 Estados Unidos de América, el Distrito de Columbia y Canadá. Esta garantía no es aplicable a:

1. Filtros de aire o fusibles.
2. Productos en los cuales se hayan retirado las especificaciones de los modelos y los números de serie.
3. Productos que sufran defectos o daños resultantes de instalación o tendido eléctrico incorrectos, características de la corriente eléctrica o mal mantenimiento. Daños causados por accidentes, mal uso o abuso, incendio, inundación, alteraciones y mala aplicación del producto y/o unidades que se hayan instalado en una atmósfera corrosiva, problemas causados por guerra, restricciones gubernamentales, paros, carencia de materiales que vaya más allá del control de FRIEDRICH, o actos de la naturaleza.

**PARA OBTENER CUMPLIMIENTO DE LA GARANTIA:** El servicio será prestado por el concesionario/representante autorizado de FRIEDRICH o la organización de servicio afiliada en su área. Estos están listados en las Páginas Amarillas. Si requiere ayuda para obtener el cumplimiento de la garantía, por favor escriba a: Room Air Conditioner Service Manager, Friedrich Air Conditioning Co., Box 1540, San Antonio, TX 78295-1540.

**LIMITACIONES: ESTA GARANTIA SE CONCEDE EN LUGAR DE OTRAS GARANTIAS. Además de lo que se detalla en la garantía, CUALQUIER GARANTIA DE IDONEIDAD EXPRESA PARA CUALQUIER PROPOSITO PARTICULAR Y/O PARA MERCADEO SE LIMITARÁ A LA DURACION CONCEDIDA POR ESTA GARANTIA EXPRESA. EL FABRICANTE RENUNCIA EXPRESAMENTE Y EXCLUYE CUALQUIER RESPONSABILIDAD POR DAÑOS INCIDENTALES O CONSECUENCIALES DETERMINADOS POR EL ROMPIMIENTO DE CUALQUIER GARANTIA EXPRESA O IMPLICITA.**

**NOTA:** Algunos estados no permiten limitaciones sobre el tiempo de duración de una garantía implícita, o no permiten la limitación o exclusión de daños incidentales o consecuenciales, así que puede ser que esas exclusiones no apliquen en su caso.

**OTRA:** Esta garantía le da derechos legales específicos. Es posible que usted tenga otros derechos que son variables en cada estado.

**PRUEBA DE COMPRA:** El propietario debe tener la prueba/recibo de compra correctos para recibir servicios relacionados con la garantía.

Todas las llamadas telefónicas relacionadas con la operación/reparación de este producto correrán por cuenta del consumidor.

Todo servicio de garantía debe ser prestado por una agencia de servicio autorizada por FRIEDRICH, a menos que FRIEDRICH autorice expresamente otro arreglo antes de que se haga la reparación.

En caso de preguntas relacionadas con los términos de esta garantía, la versión en inglés es la que tiene prioridad.

Revised 0801

**Friedrich®**

**FRIEDRICH AIR CONDITIONING CO. INC.**

Post Office Box 1540 • San Antonio, Texas 78295-1540  
4200 N. Pan Am Expressway • San Antonio, Texas 78218-5212  
(210) 357-4400 • FAX (210)357-4480

Vist us on the Internet at [www.friedrich.com](http://www.friedrich.com)

Printed in Korea

**Friedrich®**

**FRIEDRICH AIR CONDITIONING CO. INC.**

Post Office Box 1540 • San Antonio, Texas 78295-1540  
4200 N. Pan Am Expressway • San Antonio, Texas 78218-5212  
(210) 357-4400 • FAX (210)357-4480

Vist us on the Internet at [www.friedrich.com](http://www.friedrich.com)

Printed in Korea